

BERWYN
06-8844S / 06-8844SSS
KITCHEN FAUCET

Taymor

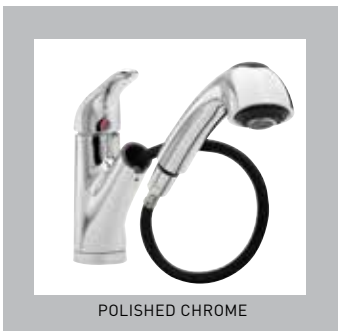


SATIN STAINLESS STEEL

FEATURES

- SINGLE LEVER HANDLE WITH PULL-OUT SPRAY AND DETACHABLE ESCUTCHEON
- AVAILABLE IN POLISHED CHROME OR SATIN STAINLESS STEEL
- FITS STANDARD 8" THREE HOLE SINK
- CERAMIC CARTRIDGE
- FLOW RATE: 2.2 GPM/8.3 LPM @ 60 PSI
- SOLID BRASS & COPPER WATERWAYS
- FACTORY PRESSURE TESTED

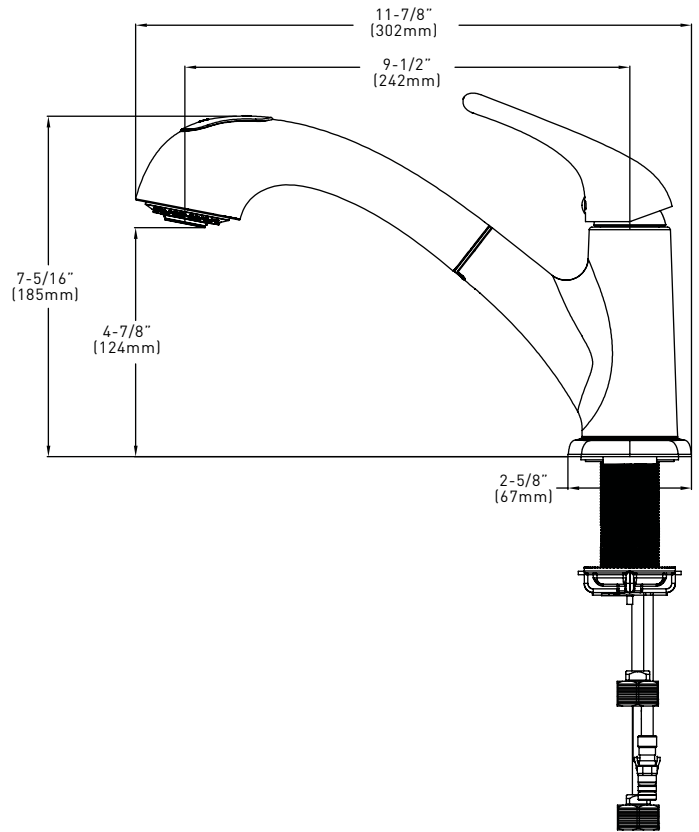
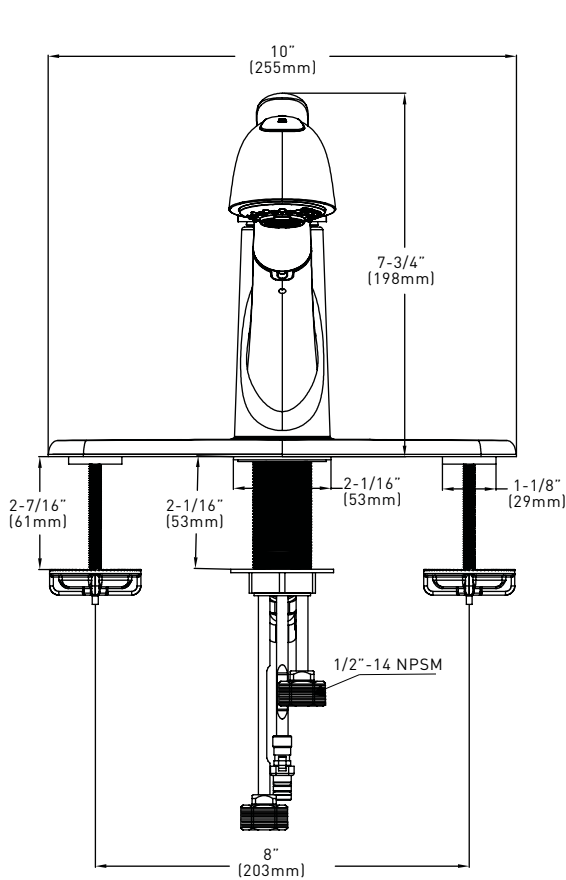
- cUPC CERTIFIED
- LOW LEAD COMPLIANT



POLISHED CHROME

BERWYN

06-8844S / 06-8844SSS
KITCHEN FAUCET



CRITICAL DIMENSIONS NOT TO SCALE

CONSTRUCTION

- METAL CONSTRUCTION WITH VARIOUS FINISHES IDENTIFIED BY SUFFIX
- BRASS VALVE BODY

MOUNTING

- DESIGNED TO INSTALL THROUGH 1 HOLE, 1-3/4" (42mm) MIN. DIA. ON DECKS UP TO 2-1/16" (53mm)
- OPTIONAL ESCUTCHEON INCLUDED TO INSTALL THROUGH 3 HOLES WITH 8" (203mm) CENTERS

INLET

- 1/4" O.D. COPPER SUPPLY TUBES WITH 1/2"-14 NPSM ADAPTERS

OPERATION

- PIVOT ACTION LEVER STYLE HANDLE
- OPERATES WITH LESS THAN 5 LBS. OF FORCE

WATER-CONTROL MECHANISM

- CARTRIDGE
- ONE-PIECE, SELF-CONTAINED CERAMIC DISC VALVE

FLOW

- AERATOR LIMITS MAXIMUM FLOW RATE TO 2.2 GPM MAX (8.3 L/MIN) @ 60 PSI

CODES/STANDARDS APPLICABLE

- ASME A112.18.1
- ANSI/NSF 61/9
- cUPC CERTIFIED
- LOW LEAD COMPLIANT

GUARANTEE

- LIMITED LIFETIME GUARANTEE AGAINST DEFECTS IN MATERIAL AND WORKMANSHIP TO ORIGINAL CONSUMER PURCHASER
- 5 YEAR WARRANTY IF USED IN INDUSTRIAL, COMMERCIAL AND BUSINESS INSTALLATIONS



DESCRIPTION	POLISHED CHROME	SATIN STAINLESS STEEL	CASE QTY.
BERWYN SINGLE LEVER HANDLE KITCHEN FAUCET WITH PULL-OUT SPRAY AND DETACHABLE ESCUTCHEON	06-8844S	06-8844SSS	4