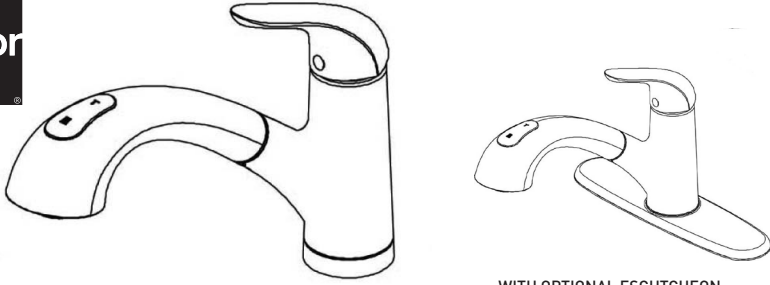


INSTALLATION INSTRUCTIONS

BERWYN 06-8844S / 06-8844SSS SINGLE HANDLE KITCHEN FAUCET

Taymor



WITH OPTIONAL ESCUTCHEON

THIS FAUCET MEETS OR EXCEEDS THE FOLLOWING STANDARDS:
CUPC, ASME A112.18.1, NSF-61 AND LOW LEAD COMPLIANT



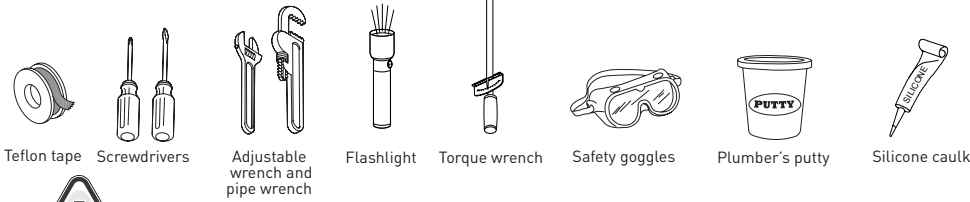
THANK YOU FOR PURCHASING THIS TAYMOR PRODUCT. ALL TAYMOR PRODUCTS ARE CAREFULLY ENGINEERED AND FACTORY TESTED TO PROVIDE LONG TROUBLE-FREE USE UNDER NORMAL CONDITIONS.

1 HAVE BASIC TOOLS READY

RECOMMENDED TOOLS:



Your installation may require new supply lines. (Supply lines are not included.)



WARNING: READ ALL the instructions completely before beginning. READ ALL warnings, care and maintenance information.

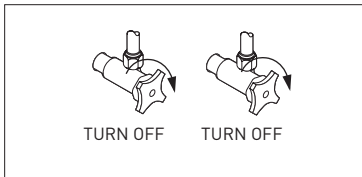
Taymor recommends calling a professional if you are uncertain about installing this product!

This product should be installed in accordance with all local and provincial plumbing and building codes.

Need Help? Please call our toll-free Customer Support line at (WEST) 1-800-267-4774 (EAST) 1-800-387-7064 for additional assistance or service.

2 TURN OFF THE MAIN WATER SUPPLY

Locate water supply inlets and shut off water supply valves. These are usually found under the sink.

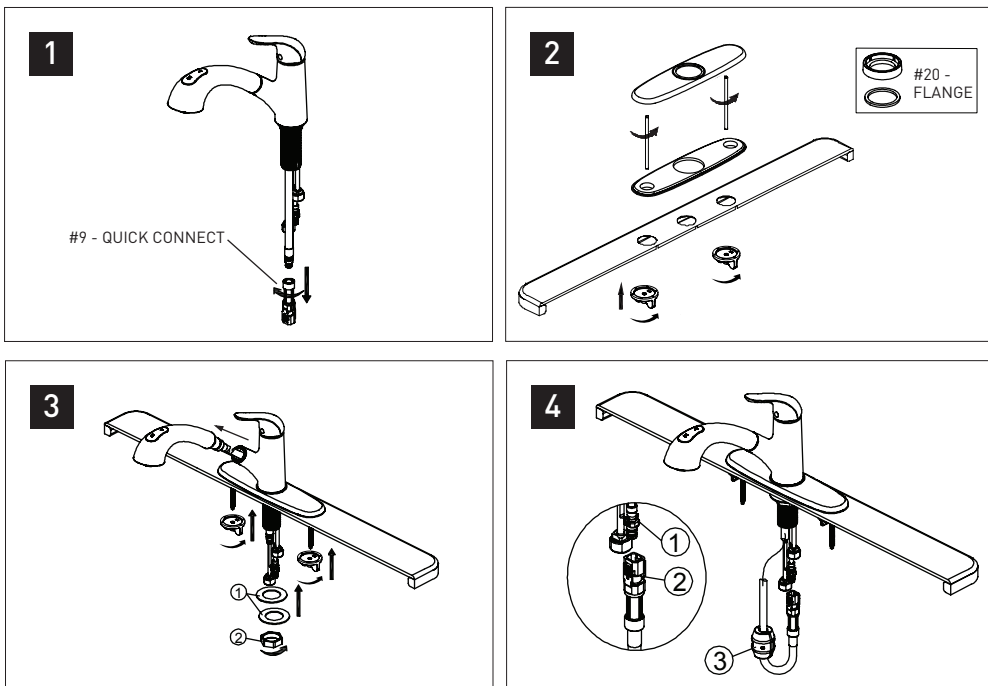


3 FAUCET INSTALLATION

- 1) Before installation remove quick connector (#9) from the free end of the pull-out hose.
- 2) Install escutcheon (#21) and base plate (#22) over the three holes in the sink. From underneath sink, hand tighten the mounting nuts (#24). Do not overtighten. If you do not use escutcheon, please use flange (#20).
- 3) Retract the pull-out hose up through faucet body until the pull-out hose fitting is flush with the bottom of shank. Do not pull hose fitting past the shank. Insert faucet body through the hole in escutcheon (or in flange). Secure faucet with washers and nut ① and ②. Thread nut onto mounting shank.
- 4) Screw the quick connector to the free end of the pull-out hose. Align block ① and tabs ② on quick connector. Push the quick connector housing firmly upward and snap onto the receiving block. Pull down moderately to ensure connection has been made. If it is necessary to remove the quick connector, squeeze the tabs on the hose between index finger and thumb, then pull down to disconnect. After connecting the hose, attach the weight ③ to hose at the bottom of the loop to prevent the hose from twisting and return the hose to the proper position.

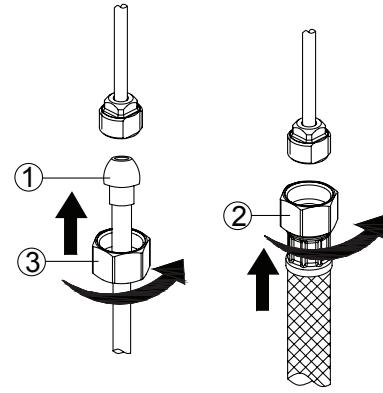


Don't use plumber's putty on cultured marble or other composite sinks. Putty will discolour the sink.



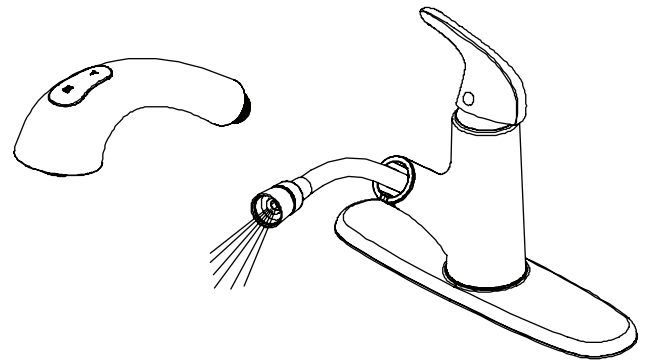
4 ATTACH THE HOT AND COLD SUPPLY LINES

Make connections to water lines. Use 1/2" I.P.S. faucet connections [2] or coupling nuts [3] (not included) with 3/8" O.D. ball-nose riser [1]. Use two wrenches when tightening. **Do not over tighten.**



5 FLUSHING THE WATER LINES

Turn on hot and cold water supplies. Pull the hose assembly out of the spout and remove the spray head by unscrewing it from the hose counterclockwise. Be sure to hold the end of the hose down into the sink and turn the faucet on to the warm position where it mixes hot and cold water. Flush water lines for one minute. Check for leaks. Re-tighten any connections if necessary, but do not overtighten. Reinstall spray head by hand tightening it back onto the spray hose.



6 EXPLODED DIAGRAM FOR REFERENCE

MAINTENANCE Your new faucet is designed for years of trouble-free performance. Keep it looking new by cleaning it periodically with a soft cloth. Avoid abrasive cleaners, steel wool and harsh chemicals as these will dull the finish and void your warranty.

