

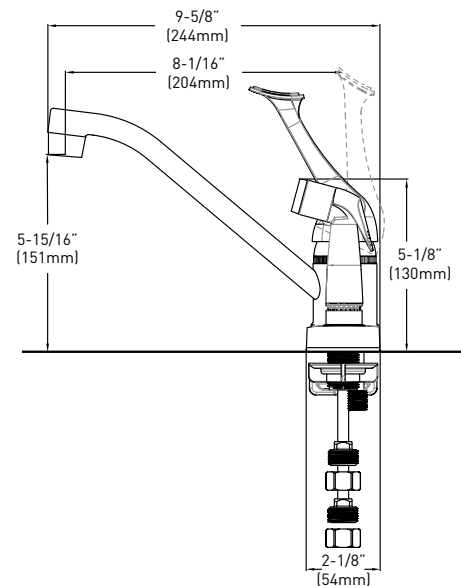
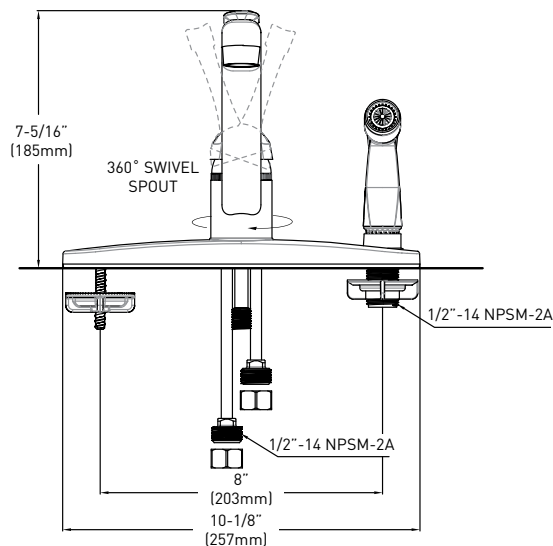
ESSENCE

06-8823H
KITCHEN FAUCET

Taymor



POLISHED CHROME	CASE QTY.
06-8823H	6



CRITICAL DIMENSIONS NOT TO SCALE

FEATURES

- SINGLE LEVER HANDLE WITH SIDE SPRAY ON DECK
- FITS STANDARD 8" THREE HOLE SINK
- STAINLESS STEEL BALL VALVE
- FACTORY PRESSURE TESTED

CONSTRUCTION

- METAL CONSTRUCTION WITH POLISHED CHROME FINISH
- HYBRID VALVE BODY

MOUNTING

- DESIGNED TO INSTALL THROUGH 3 HOLES, 1-3/16" [30mm] MIN. DIA., ON DECKS UP TO 1-1/8" [29mm]

INLET

- 0.315" O.D. COPPER TUBE INLETS WITH 1/2"-14 NPSM ADAPTERS

OPERATION

- PIVOT ACTION LEVER STYLE HANDLE
- OPERATES WITH LESS THAN 5 LBS. OF FORCE

WATER-CONTROL MECHANISM

- ROTATING STAINLESS STEEL BALL TYPE WITH NON-METALLIC SEATS

FLOW

- AERATOR LIMITS MAXIMUM FLOW RATE TO 2.2 GPM MAX. [8.3 L/MIN.] @ 60 PSI

CODES/STANDARDS APPLICABLE

- ASME A112.18.1
- ANSI/NSF 61/9
- cUPC CERTIFIED
- LOW LEAD COMPLIANT

GUARANTEE

- LIMITED LIFETIME GUARANTEE AGAINST DEFECTS IN MATERIAL AND WORKMANSHIP TO ORIGINAL CONSUMER PURCHASER
- 5 YEAR WARRANTY IF USED IN INDUSTRIAL, COMMERCIAL AND BUSINESS INSTALLATIONS

