



Energy Division

PT/SPT Series Photocontrol Non-Metallic Housing

Tyco Electronics PT/SPT Series offers a durable control with an optional swivel base allowing maximum mobility for installation.

Features

- Fixed or Adjustable Swivel Base
- Heavy-Duty Thermal Bi-Metal Switch
- UL Listed
- 30-45 Second Time Delay
- 2000 Watt Rating
- Fail Mode is ON

Innovative Design

The PT/SPT Series controls combine the superior performance of the AT Series with an economical, yet highly durable, polycarbonate housing.

Key Benefits

Controls include a heavy-duty bi-metal switch that provides a 30-45 second time delay. This virtually eliminates unwanted lamp cycling that could be caused by lightning, car headlights, or other sudden changes in ambient light level.

Although the Turn-On level is pre-set at the factory, each PT and SPT control is furnished with an adjustable slide bar that allows field adjustment to satisfy specific needs. The SPT is also equipped with an adjustable swivel base to provide installation flexibility.

Common Uses for the AT Series

- Billboard Lighting
- Commercial or Residential Use

Tyco Electronics' photocontrols can be used to safely control luminaries with incandescent, HID, or compact fluorescent lamps.

 **Tyco Electronics**

Our commitment. Your advantage.

The PT/SPT Series is the result of over fifty years of experience designing and delivering superior photocontrols and other lighting accessories in the US and around the world.

Features

Switch	SPST thermal bi-metallic
Fail Mode	ON (contacts normally closed)
Switch Lifetime	Exceeds 5,000 ON/OFF operations
Housing	Polycarbonate with UV resistant window
Lead Wire	6", #14 AWG, rated 105°C (all other models)
Nipple	1/2" pipe
Nut	1/2" pipe, zinc die-cast

Specifications

Physical	- Enclosure: designed to meet ANSI C136.10
	- Power consumption: less than 0.9 Watts (avg.) at 120 VAC
Temperature	- Minus 40°C to plus 65°C @ 96% RH
Load Rating	- 2000 Watt Tungsten 1900 VA
Light Sensor	- Cadmium Sulfide Cell

Selection Information

Model	Base	Rated Volts	Range (Volts)	Load Rating Tungsten (Watts)	Load Rating Ballast (VA)	Turn ON (Fc)	OFF/ON Ratio.
PT-15	Fixed	120	105 - 130	2000	1900	1.5	5 : 1
CPGI-ALR-PT-15	Fixed	120	105 - 130	2000	1900	1.5	5 : 1
PT-168	Fixed	240	185 - 305	2000	1900	1.5	5 : 1
PT-20	Fixed	120/208/240/277	105 - 305	2000	1900	1.5	5 : 1
PT-347*	Fixed	347	310 - 380	2000	1900	1.5	5 : 1
SPT-15	Swivel	120	105 - 130	2000	1900	1.5	5 : 1
CPGI-ALR-SPT-15	Swivel	120	105 - 130	2000	1900	1.5	5 : 1
SPT-168	Swivel	240	185 - 305	2000	1900	1.5	5 : 1
SPT-19*	Swivel	480	420 - 530	2000	1900	1.5	5 : 1
SPT-347**	Swivel	347	310 - 380	2000	1900	1.5	5 : 1

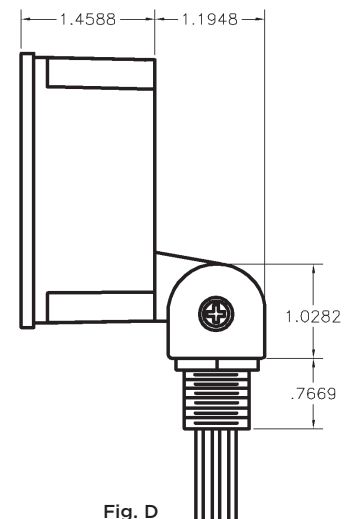
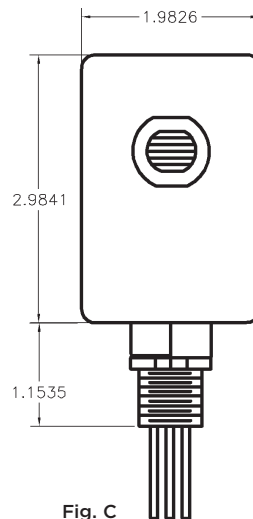
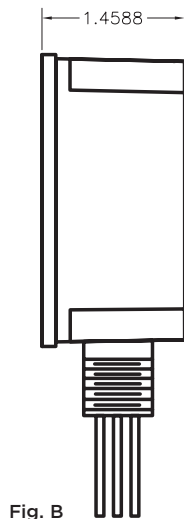
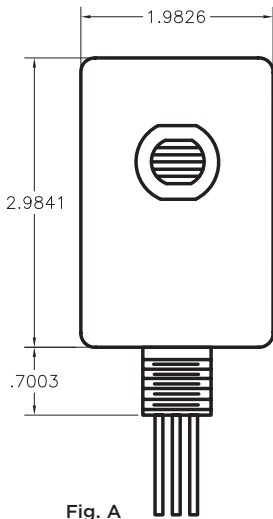
Note: 6" Lead Wires

*Not UL Listed

** CSA Listed only

Fig. A & B
Illustrates frontal and side view of PT Model

Fig. C & D
Illustrates frontal and side view of SPT Model



Mike O'Toole
Tyco Electronics, Energy Inside Sales

ALR = Area Lighting Research. The name of the company who made these parts before Tyco purchased them. We keep the ALR as part of the part #'ing for brand recognition.

CPGI prefix designates a clam shell, see-thru package designed to hang on a rod in a retail environment. It also has a std pack qty of 10 pcs.

Non CPGI parts come in a thin cardboard box. You cannot see through it nor hang it but it easily opens for inspection of the part. Std pack qty on these is 12 pcs

The W suffix designates the inclusion of a wall plate. It is pictured above in the CPGI packaging.

Thanks,

Mike O'Toole
Tyco Electronics, Energy Inside Sales
michael.otoole@te.com
Office Phone 1-800-327-6996, Industrial Option Fax 1-800-527-8350