

# Contractor Series LED PAR Lamps

11,000 Hour Life



Rated up to 11,000 hours at 70% lumen maintenance, the Contractor Series LED PAR lamp family offers years of service and reduced energy and maintenance costs. These lamps offer great value with energy savings up to 88% in comparison to traditional halogen lamps. The 82 CRI ensures good color definition and can be used in many applications. They are UL listed for use in damp locations and are RoHS compliant with no lead or mercury. They emit no UV or IR radiation that can cause fading and discoloration of fabric or artwork.

## Key Features & Benefits

- Rated life up to 11,000 hours (L<sub>70</sub>)
- Beam angle: 45°
- UV and IR Free
- Mercury and lead free
- RoHS compliant
- Available in 3000K and 5000K color temperatures
- Reduces energy consumption up to 88%
- Lasts 4 times longer than halogen lamps
- No warm-up time, instant on with full light output and stable color



## Product Offering

Ordering Abbreviation	Wattage	Beam Angle	Color Temperature	CRI
PAR20 LED	6	45°	3000K	82
PAR30LN LED	9	45°	3000K	82
PAR38 LED	13	45°	3000K & 5000K	82

## Application Information

### Applications

- General lighting
- Recessed downlights
- Track lighting
- Wall washer

### Market Segments

- Offices
- Residential
- Restaurants

### Application Notes

1. Operating Temperature: - 4°F to 104°F (-20°C to +40°C)
2. Not for use with emergency light fixtures or exit lights
3. Not for use in totally enclosed luminaires
4. Suitable for use in UL rated fixture where protected from the weather
5. Not for use with dimmers

This device complies with part 15 of the FCC Rules. Operation is subject to the following two conditions: (1) This device may not cause harmful interference, and (2) this device must accept any interference received, including interference that may cause undesired operation. For FCC Part 15 user information, please see [www.sylvania.com/fcc15b](http://www.sylvania.com/fcc15b).



## Specification Data

Catalog #	Type
Project	
Comments	
Prepared by	

## Ordering Information

Item Number	Ordering Abbreviation	Wattage (W)	Base Type	Replaces	Input Voltage (V)	Average Rated Life (hrs.)	CCT	Typical Lumens (lm)	CBCP	CRI	Beam Angle
79276	LED13PAR38/830/FL45/10YV/RP2	13	Medium	90W Halogen	120	11000	3000K	900	1250	82	45°
79736	LED13PAR38/850/FL45/10YV/RP2	13	Medium	90W Halogen	120	11000	5000K	1200	1250	82	45°
79280	LED9PAR30LN/830/FL45/10YV/RP2	9	Medium	65W Halogen	120	11000	3000K	650	900	82	45°
79279	LED6PAR20/830/FL45/10YV/RP2	6	Medium	50W Halogen	120	11000	3000K	425	525	82	45°

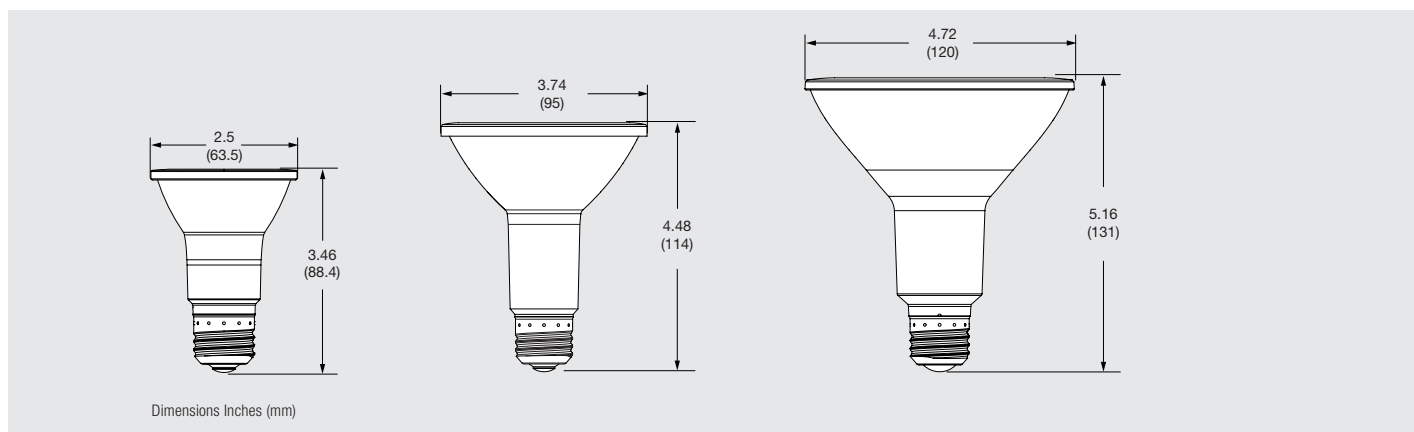
## Ordering Guide

LED	13	PAR38	/	830	/	FL	45	/	10YV	/	RP2
LED Lamps	Wattage: 13, 9, 6	Lamp type: PAR38 PAR30LN PAR20		CRI = 80 Color Temp. 3000K 5000K		Flood	Beam Angle		11,000 Hours Life		Retail 2 Pack

## Energy Savings

Product Description	LED Life (hrs.)	Similar Halogen	Watts Saved	Energy Savings	LED Life vs. Incandescent
LED6W PAR20	11,000	50W	44	\$53	4.4X
LED9W PAR30LN	11,000	65W	56	\$67	4.4X
LED13W PAR38	11,000	90W	77	\$93	4.4X

## Lamp Dimensions



LEDVANCE LLC  
 200 Ballardvale Street  
 Wilmington, MA 01887 USA  
 Phone 1-800-LIGHTBULB (1-800-544-4828)  
[www.sylvania.com](http://www.sylvania.com)

SYLVANIA and LEDVANCE are registered trademarks.  
 All other trademarks are those of their respective owners.  
 Product Licensee of Trademark SYLVANIA in General Lighting.  
 Specifications subject to change without notice.

[/sylvania](https://twitter.com/sylvania) [/sylvania](https://facebook.com/sylvania)

