

## Installation Instructions for the Sure-Lites XR6C-LED Emergency Light

### **WARNING**

#### **Risk of Fire/Electric Shock**

If not qualified, consult an electrician.

### **WARNING**

#### **Risk of Electric Shock**

Disconnect power at fuse or circuit breaker before installing or servicing.

### Important Safeguards

WHEN USING ELECTRICAL EQUIPMENT, BASIC SAFETY PRECAUTIONS SHOULD ALWAYS BE OBSERVED INCLUDING THE FOLLOWING.

1. READ AND FOLLOW ALL SAFETY INSTRUCTIONS
  2. Do not use outdoors.
  3. Do not use in hazardous locations, or near gas or electric heaters.
  4. Do not let power supply cords touch hot surfaces.
  5. Use caution when servicing batteries. Battery acid can cause burns to skin and eyes. If acid is spilled on skin or in eyes, flush acid with fresh water and contact a physician immediately.
  6. Do not use this equipment for other than the intended use.
  7. Installation is to be performed only by qualified personnel.
  8. Install in accordance with National Electric Code and local regulatory agency requirements.
  9. The use of accessory equipment not recommended by the manufacturer may cause an unsafe condition.
  10. Equipment should be mounted in locations and at heights where it will not readily be subjected to tampering by unauthorized personnel.
  11. SAVE THESE INSTRUCTIONS
- MAX MOUNTING HEIGHT: 27.6 ft.

### INSTALLATION

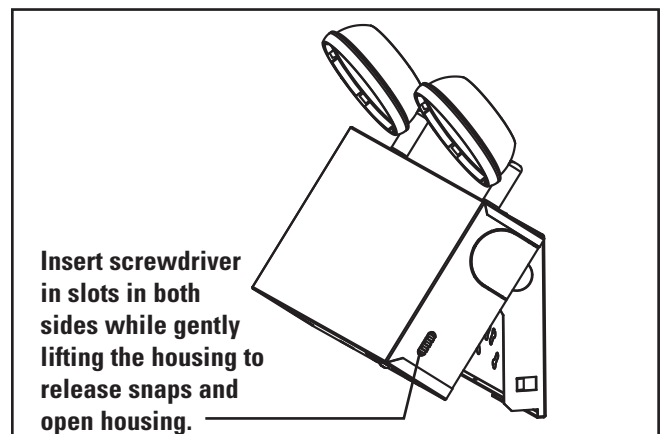
1. De-energize the circuit at the junction box (J-box) where the emergency light is to be installed.
2. Open the emergency light by inserting a screwdriver in the two slots on either side of the unit, then tipping the cover up off of the backplate (See Fig. 1).
3. To mount to a junction box - Knock out the appropriate mounting pattern and the wire pass hole in the backplate to fit the J-box being used.
4. To mount using conduit, mount the backplate to the wall in the desired location. Attach a conduit hub to which

ever of the three conduit mount points on the backplate is most convenient. (see Fig. 2) Remove the corresponding U shaped cover from the housing by wiggling it back and forth until it breaks free. (see Fig. 3)

**NOTE:** A fourth conduit mount location is available on the bottom surface of the housing, but it can only be used with flex conduit.

5. Once the backplate is secured, the housing can be held in place during installation using the EZ Hang feature. (see Fig. 2)
6. Connect the incoming wires to the fixture's power supply wires using the wire nuts provided. Connect ground to the green ground wires. Connect the white wire to neutral. If using 120V, connect the black wire to the hot lead. If using 277V, connect the orange wire to the hot lead. Cap the unused lead (see Schematic).
7. Hook the top of the housing to the top of the backplate, and swing the housing down until it snaps into place. (see Fig. 1)
8. Remove the EZ key battery disconnect.
9. Energize AC supply. The test button should illuminate, and LED heads will illuminate briefly when the test button is pushed.
10. Adjust the heads as needed.
11. If the fixture is to be powered down for an extended period after initial installation, replace the EZ Key. This will prevent the battery from discharging when AC power is removed. However, it will also prevent the battery from charging when AC power is restored, so it must be removed once the unit is ready for regular operation.

**Figure 1**

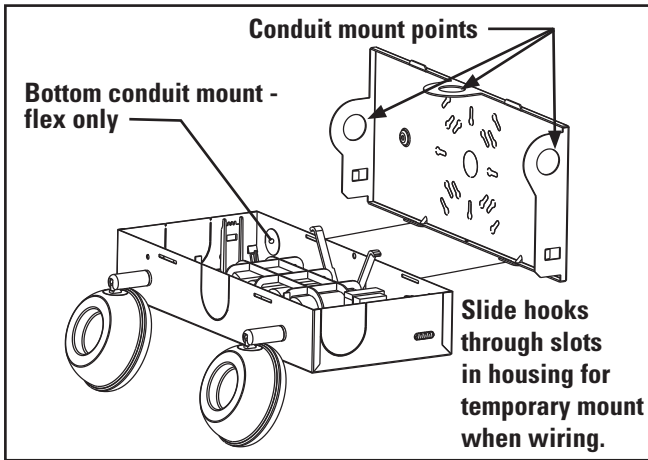


# EATON

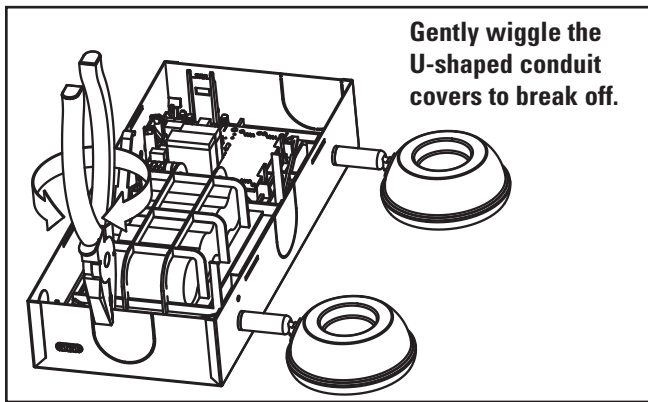
Powering Business Worldwide

# Installation Instructions for the Sure-Lites XR6C Emergency Light

**Figure 2**



**Figure 3**



## OPERATION

Depress the test switch. The LED heads will remain lit and the charge LED will extinguish. LED heads will illuminate as long as the button is pushed. Release the test switch. The charge LED will illuminate and the LED heads will turn off.

## MAINTENANCE

Replace the batteries as needed according to ambient conditions. However, we recommend that the equipment be tested regularly in accordance with local codes. For details on battery removal, see Figure 4.

**NOTE:** Servicing of any parts should be performed by qualified personnel. Only use replacement parts supplied by Eaton Lighting.

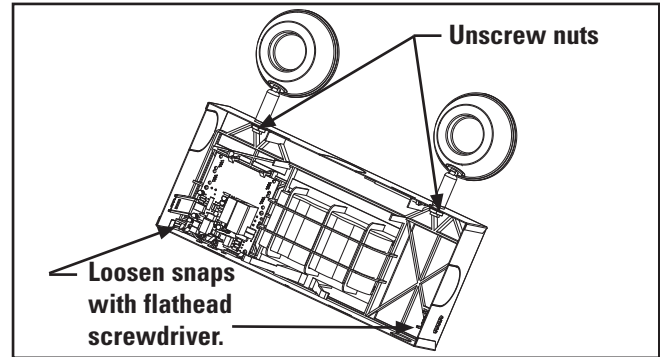
**CAUTION:** This equipment is furnished with a sophisticated low

## Warranties and Limitation of Liability

Please refer to [www.eaton.com/LightingWarrantyTerms](http://www.eaton.com/LightingWarrantyTerms) for our terms and conditions.

voltage battery dropout circuit to protect the battery from over discharge after its useful output has been used. Allow 24 hours recharge time after installation or power failure for 90 minute testing.

**Figure 4**



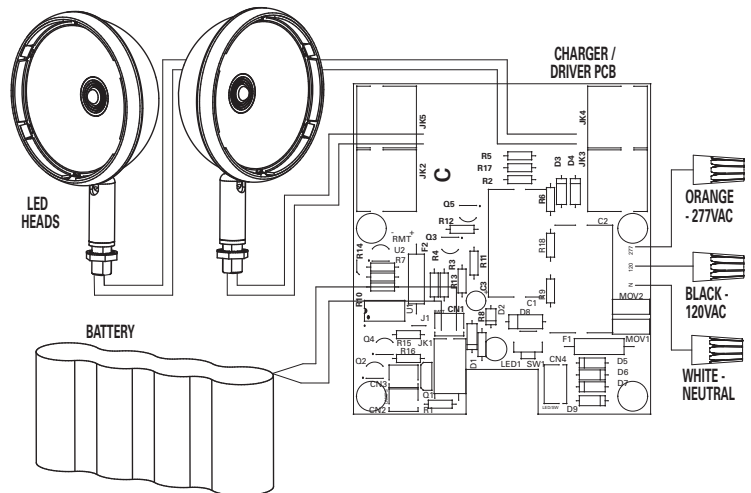
## TROUBLE SHOOTING GUIDE

If LED heads or charge indicator LED does not illuminate, check the following:

1. Check AC supply – verify that unit has 24 hour AC supply.
2. Unit is shorted or battery is not connected.
3. Battery discharged. Permit unit to charge for 24 hours and then re-test.
4. If following the above trouble shooting hints does not solve your problem, contact your local Eaton Lighting representative for assistance.

## SCHEMATIC

### Installation Instructions for the Sure-Lites XR6C-LED Emergency Light.



Eaton is a registered trademark. All trademarks are property of their respective owners.

Eaton es una marca comercial registrada. Todas las marcas comerciales son propiedad de sus respectivos propietarios.