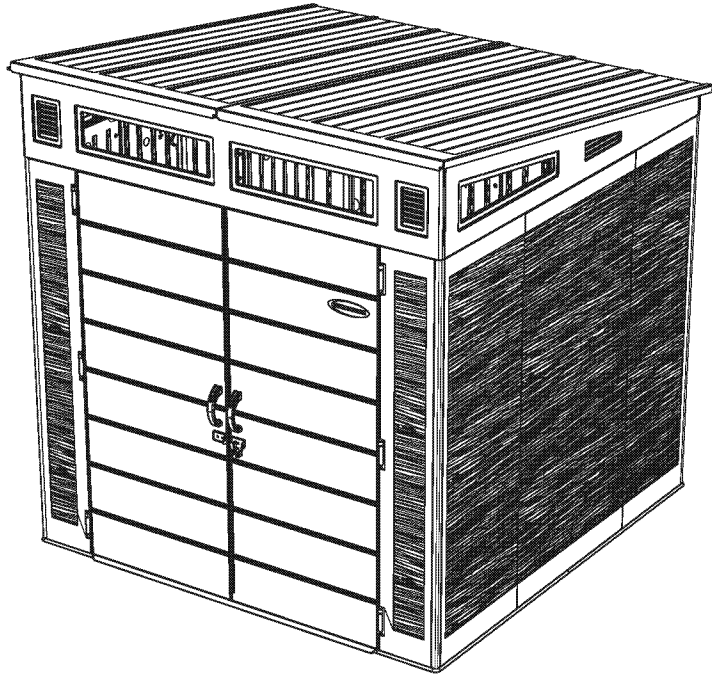
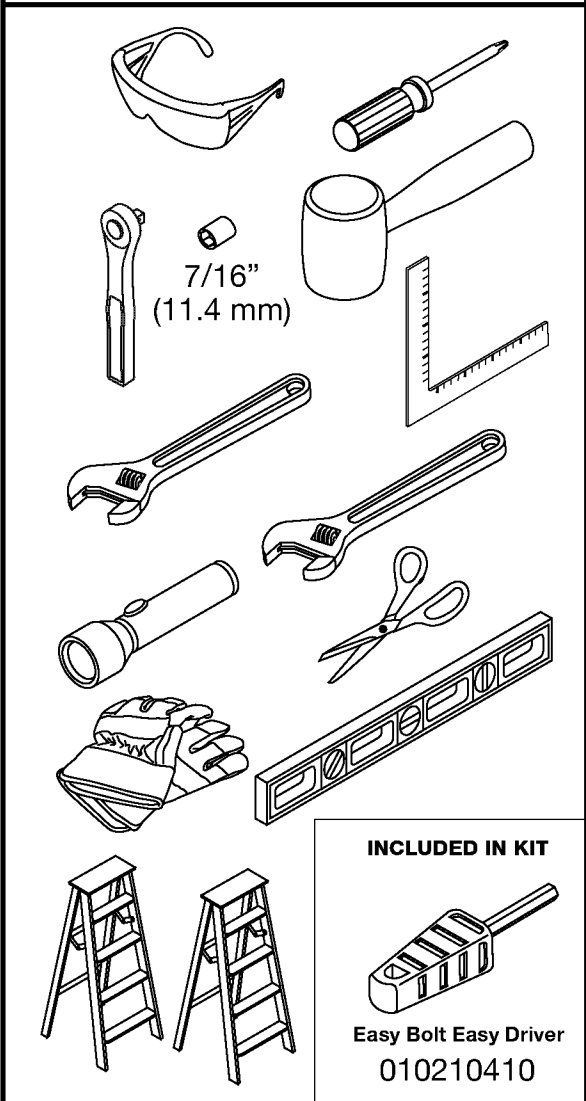




BMS7780/BMS7786
Modern™ Storage Shed
ASSEMBLY INSTRUCTIONS




Tools Needed for Installation



KEEP THESE INSTRUCTIONS. You will need Quality Control Number shown below to register your product.
Quality Control Number:



Before You Begin...

- **Consult your local authorities for any permits required to construct shed.**
Prior to the construction of your shed, check with the local building code official to review any required permits or building limitations.
- **A level and sturdy foundation is required before shed construction can begin.**
Site preparation information is available on pages 10-11. A foundation that differs from the suggestions within this manual could prevent proper assembly and may damage parts.
- **Read instructions thoroughly prior to assembly.**
This kit contains parts that can be damaged if assembled incorrectly or in the wrong sequence.
- **Please follow instructions.**
Suncast is not responsible for replacing parts lost or damaged due to incorrect assembly.
- **Assistance is required during entire assembly.** 

IMPORTANT

OPEN ALL BOXES FIRST AND NEATLY LAYOUT PARTS. SMALL PARTS MAY BE CONTAINED IN EACH BOX. PLEASE REFERENCE PARTS LIST WITHIN THIS MANUAL TO VERIFY ALL PARTS ARE PRESENT.

COMPLETE SITE PREPARATION AND FOUNDATION CONSTRUCTION BEFORE UNPACKING ALL PARTS.



CAUTION

- Proper site preparation required.
- Shed not intended for use in extreme weather conditions.
- Shed not intended for storage of flammable or caustic chemicals.
- Store heavy items near the bottom of shed.
- Shed not intended for use by children.
- **DO NOT** stand, sit, or store items on storage shed roof.
- Treat carefully in extreme temperatures.
- Repair or replace broken parts immediately.
- Suncast is not responsible for damage caused by weather or misuse.
- At regular intervals, inspect your shed to make sure that assembly integrity has been maintained.
- Periodically check that the location you have chosen to set your shed is still level.
- This kit contains parts with metal edges. Please be careful when handling.

Suncast Products and Replacement Parts

To purchase Suncast replacement parts and learn about other Suncast products, visit us online or call.



www.suncast.com

24 hours a day, 7 days a week, 365 days a year.



1-800-846-2345 or 1-630-879-2050.



Shed Safety and Care

- Hot items, such as recently used grills, blowtorches, etc., must not be stored in the shed.
- Heavy articles should not be leaned against the walls, as this may cause panel distortion and permanent damage.
- Keep roof clean of snow and leaves.
- The shed walls and roof sections have a textured exterior, much like vinyl home siding. Over time, dust may accumulate in the texture. When combined with moisture, this could encourage the growth of moss or mold on the shed. To maintain the look of your shed, we recommend cleaning it each year with mild soap and water. **DO NOT** use bleach, ammonia, or other caustic cleaners, and **DO NOT** use stiff bristle brushes. Failure to perform annual cleaning could result in permanent staining of the plastic. This is not a manufacturing defect and is not covered under warranty.

Assembly Day Tips

- Complete site preparation and foundation construction before unpacking parts and beginning assembly.
- **DO NOT** attempt to assemble on a day with strong winds.
- **DO NOT** attempt to assemble on days when temperature is below 32 degrees Fahrenheit.
- Set aside appropriate amount of time to completely assemble shed.
- Make sure you have assistance nearby to lift and secure parts in place.
- Wear light duty work gloves while assembling shed.
- Once roof is assembled, a flashlight may be of use when assembling smaller components inside shed.
- **DO NOT** use a torque wrench or hand drill to tighten provided Easy bolts. Use 010210410 Easy Bolt Easy Driver tool (provided) **ONLY**.
- Suncoast provides extra hardware for small fasteners for customer convenience. In some cases, there will be extra small fasteners once the assembly is complete.

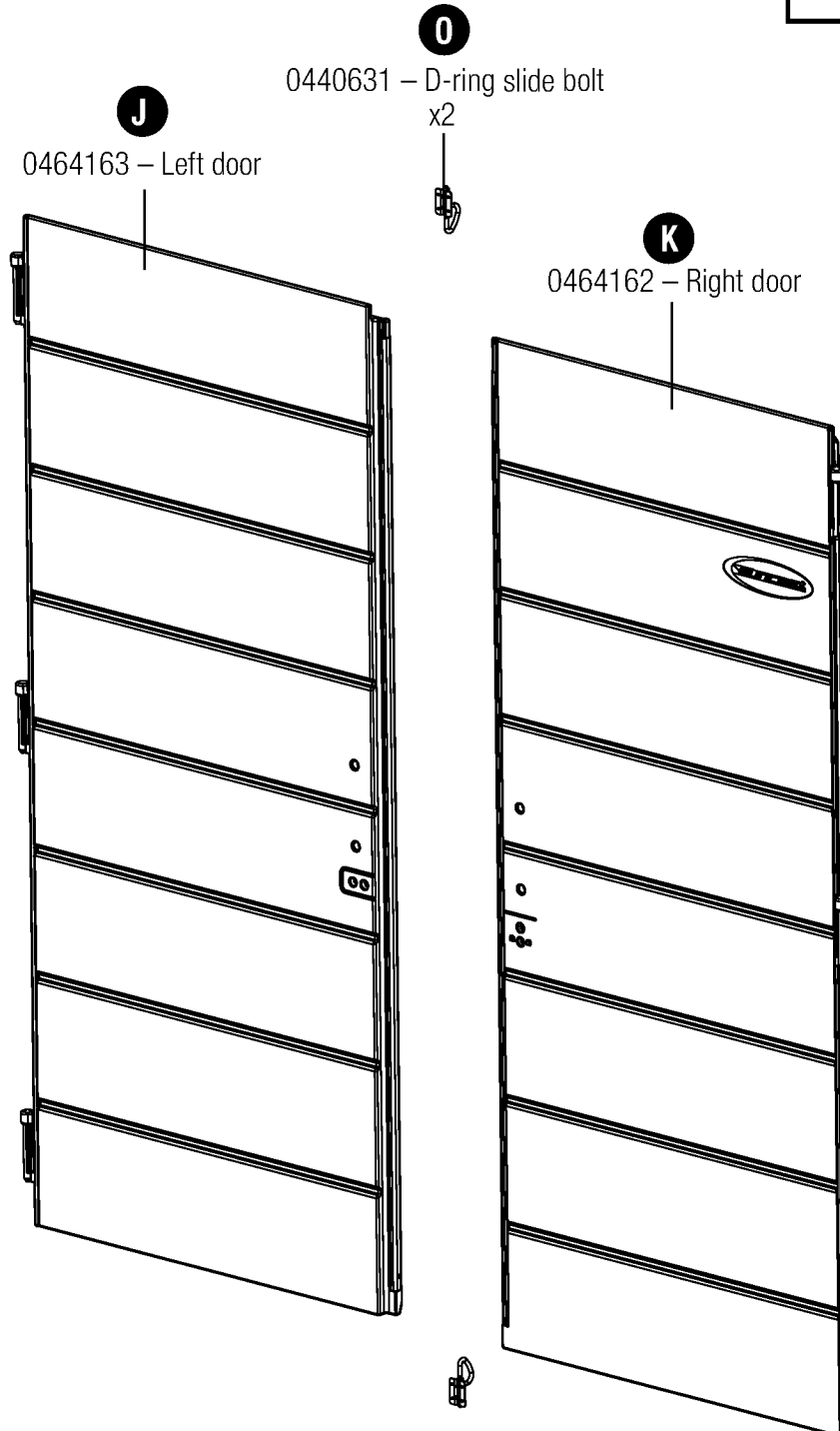
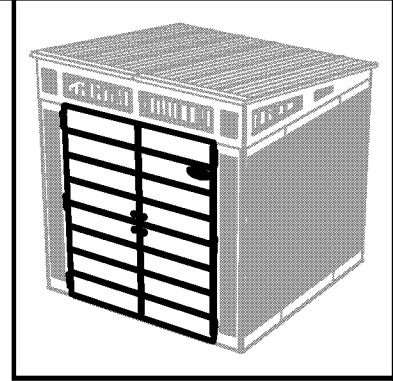
Note: *This product contains parts that are used in different orientations to construct the shed. Please take note of the orientation of the parts shown throughout this instruction manual. Failure to follow instructions could result in damage to parts. Suncoast is not responsible for replacing parts lost or damaged due to incorrect assembly.*

Parts - Doors

IMPORTANT

OPEN ALL BOXES FIRST AND NEATLY LAYOUT PARTS. SMALL PARTS MAY BE CONTAINED IN EACH BOX. PLEASE REFERENCE THE PARTS LIST WITHIN THIS MANUAL TO VERIFY ALL PARTS ARE PRESENT.

COMPLETE SITE PREPARATION AND FOUNDATION CONSTRUCTION BEFORE UNPACKING ALL PARTS.

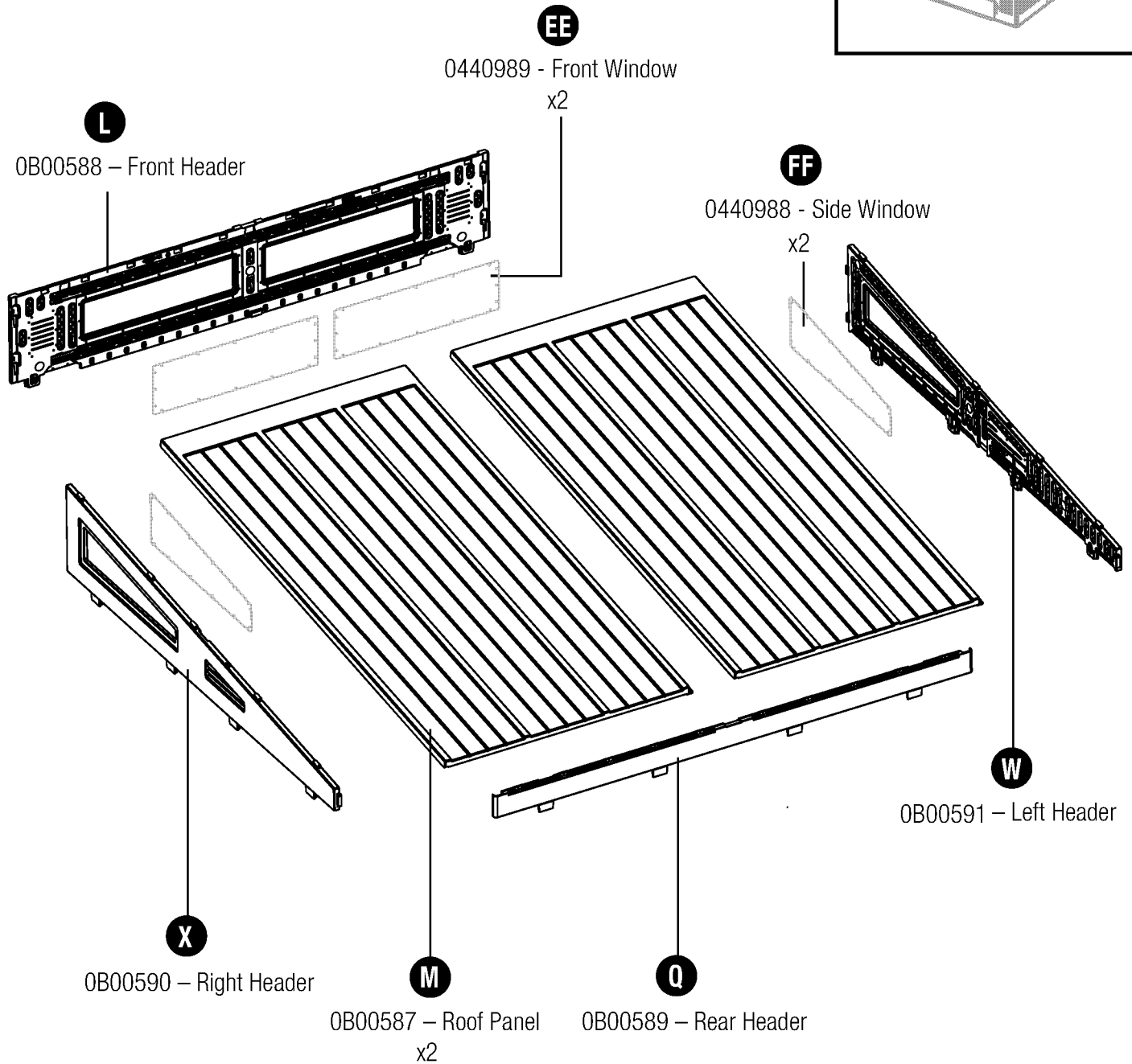
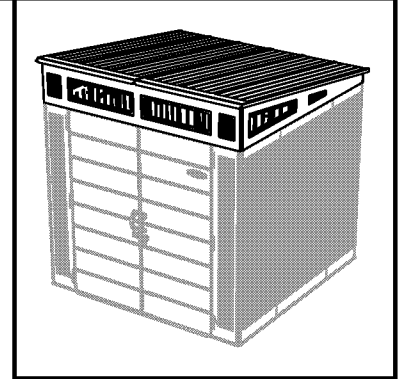


Roof - Headers - Windows

IMPORTANT

OPEN ALL BOXES FIRST AND NEATLY LAYOUT PARTS. SMALL PARTS MAY BE CONTAINED IN EACH BOX. PLEASE REFERENCE THE PARTS LIST WITHIN THIS MANUAL TO VERIFY ALL PARTS ARE PRESENT.

COMPLETE SITE PREPARATION AND FOUNDATION CONSTRUCTION BEFORE UNPACKING ALL PARTS.

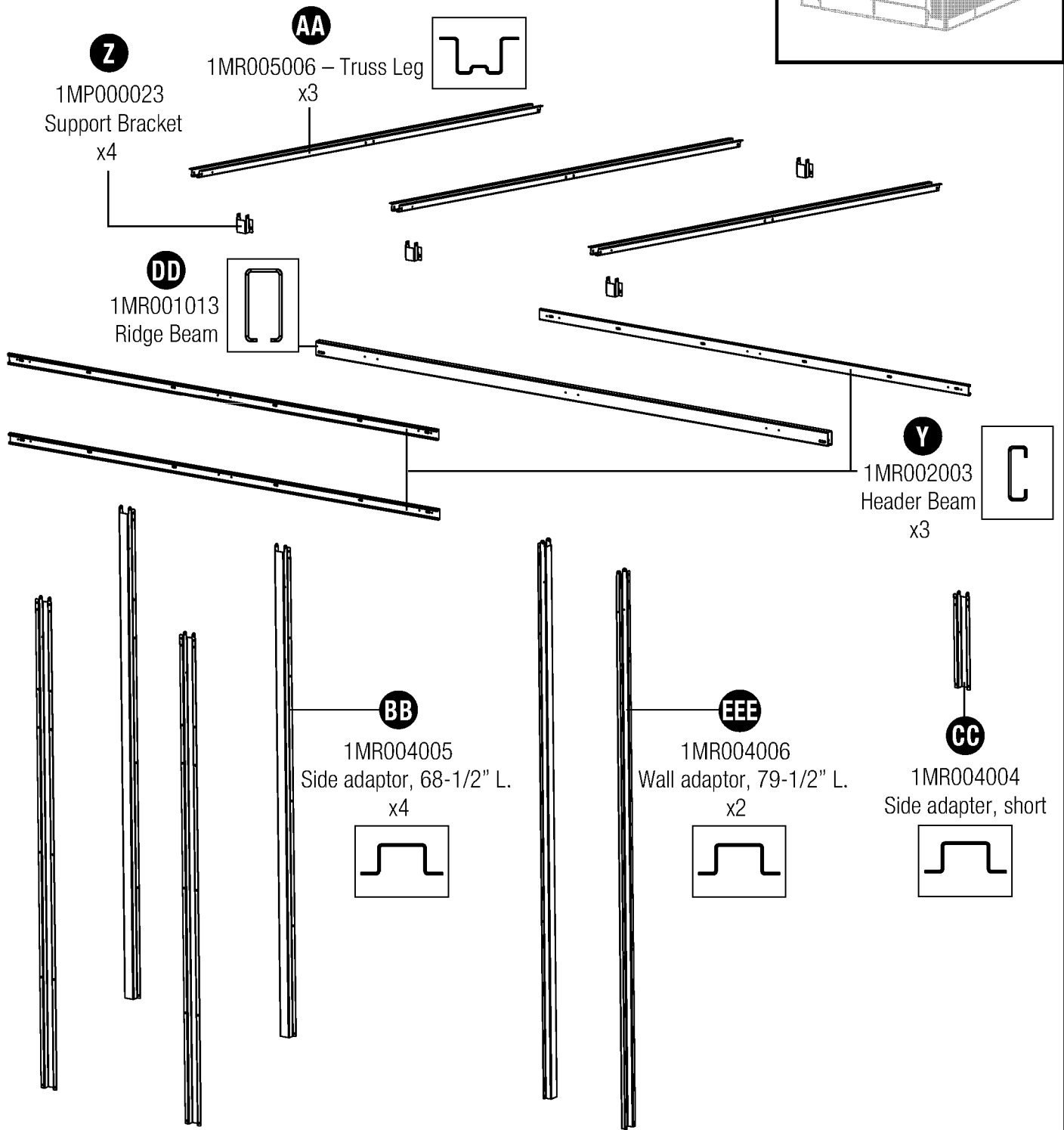
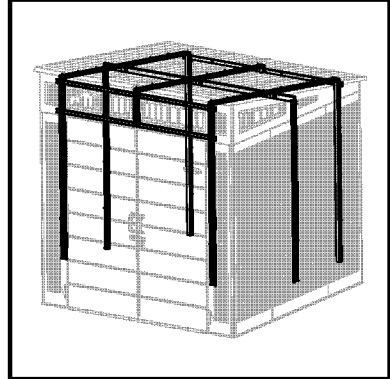


Parts - Roof Steel

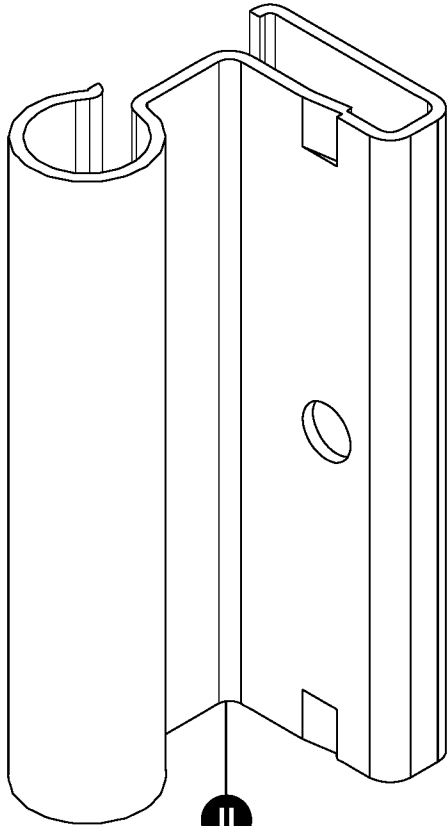
IMPORTANT

OPEN ALL BOXES FIRST AND NEATLY LAYOUT PARTS. SMALL PARTS MAY BE CONTAINED IN EACH BOX. PLEASE REFERENCE THE PARTS LIST WITHIN THIS MANUAL TO VERIFY ALL PARTS ARE PRESENT.

COMPLETE SITE PREPARATION AND FOUNDATION CONSTRUCTION BEFORE UNPACKING ALL PARTS.

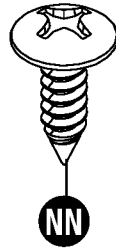


Hardware



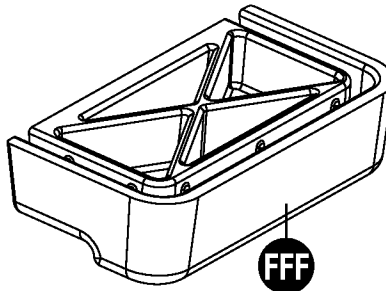
OMP000002 – Metal hinge plate
x6

0480375 – Hardware bag



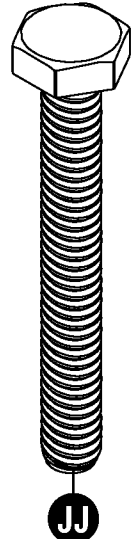
.625" Screw
x315

Wall Adapter Cap

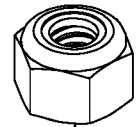


FFF

0480493 – Hardware bag

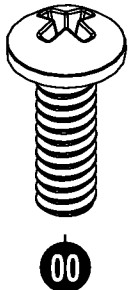


.25" x 2" Hex bolt
x12

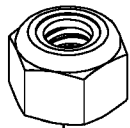


.25" Locking nut
x12

0480337 – Hardware bag

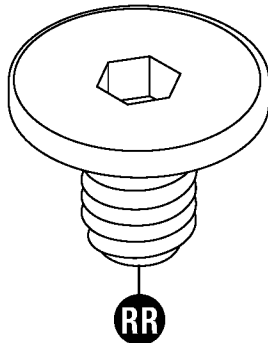


.25" x .75" Screw
x6

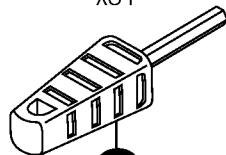


.25" Locking nut
x6

Hardware bag

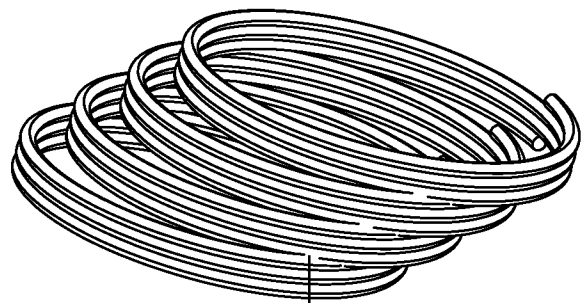


Easy bolt 7/8"
x31



*Easy bolt easy driver

0440990 – Window Gaskets

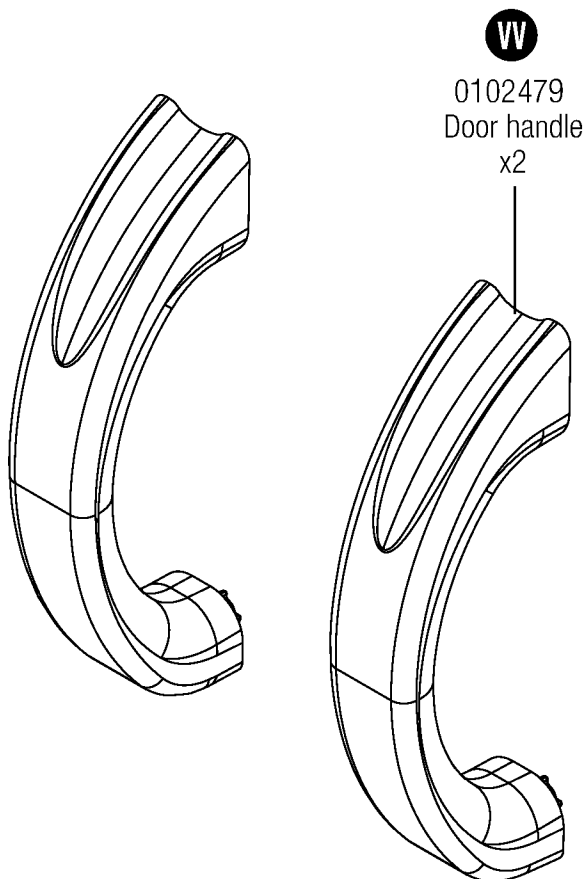


P
x4

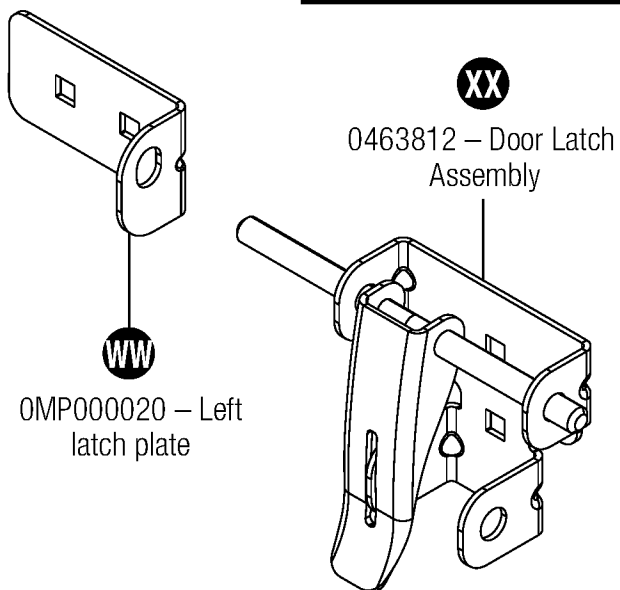
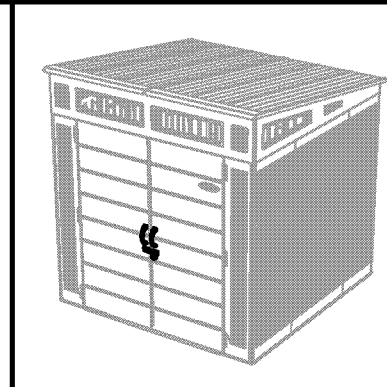
Hardware shown at actual size (*unless otherwise noted). Extra hardware provided. Not all are used.

Parts - Door Handle Kit

0463795 - Door handle kit

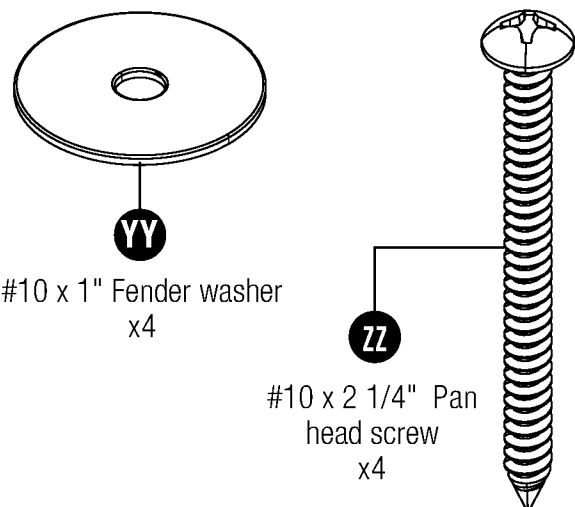


0463797 - Door latch kit

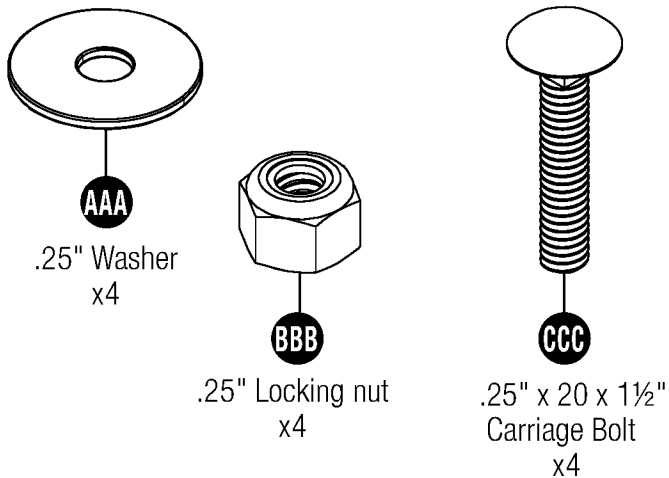


Hardware

0480370 - Hardware bag



0480439A - Hardware bag



Hardware shown at actual size (*unless otherwise noted). Extra hardware provided. Not all are used.

Site Preparation and Platform Construction

Materials **NOT** supplied with Shed Kit

Note: Site preparation is required for this shed. Placing the shed on a constructed foundation is required. Without a constructed foundation, settling will probably occur, causing distortion and damage to the shed. Suncastr is not responsible for replacing parts damaged or property lost due to incorrect assembly. Warranty requires foundation.

Note: Complete the site preparation and foundation construction before unpacking parts and beginning assembly. For tips on site preparation, go to www.suncastr.com, consult retailer, or local code.

To prepare your shed site, follow the steps below:

- 1) Consult your local authorities for building codes and covenants before beginning foundation or erecting shed.
- 2) Before any digging, check with local utilities to determine location of buried cables, pipes, etc.
- 3) Decide which type of foundation you want:
 - Concrete slab, 4" thick

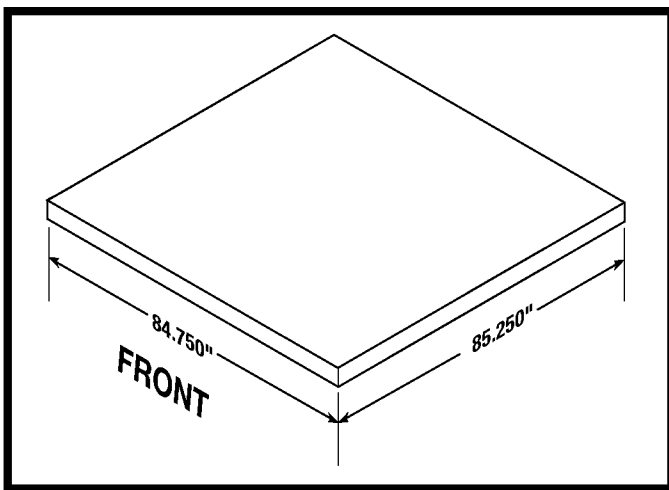
OR

- Wood platform

Use exterior grade wood. The wood platform should be set on pier blocks or footing. Consult your local retailer for help to determine the best anchoring method for your particular installation. The provided plans are sized for the minimum number of cuts to lumber and plywood.

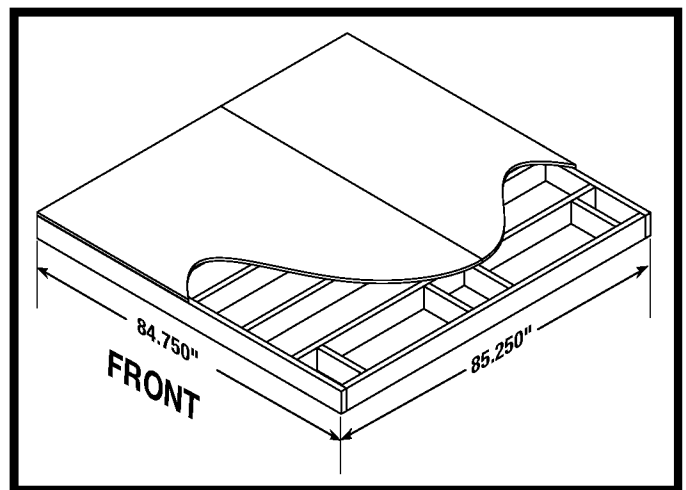
- 4) Prepare the building site:
 - The ground should slope away from the foundation area to provide drainage.
 - The foundation surface must be flat and level.
 - A vapor barrier should be provided to prevent excessive condensation in the shed.
 - Follow local building codes for a proper vapor barrier.
- 5) Anchoring the shed to the foundation:
 - Consult your local retailer for help to determine the best anchoring method for your particular installation.
 - To secure the shed to a concrete slab, use masonry fasteners available at your local hardware retailer.
 - To secure the shed to a wood platform, use 1/4" x 3" long lag screws with washers.

Anchoring floor panel to concrete slab



- Secure shed to concrete slab using masonry fasteners.
- Dimensions allow for shed to fit within the nearest 1" on each side.

Anchoring floor panel to wood platform

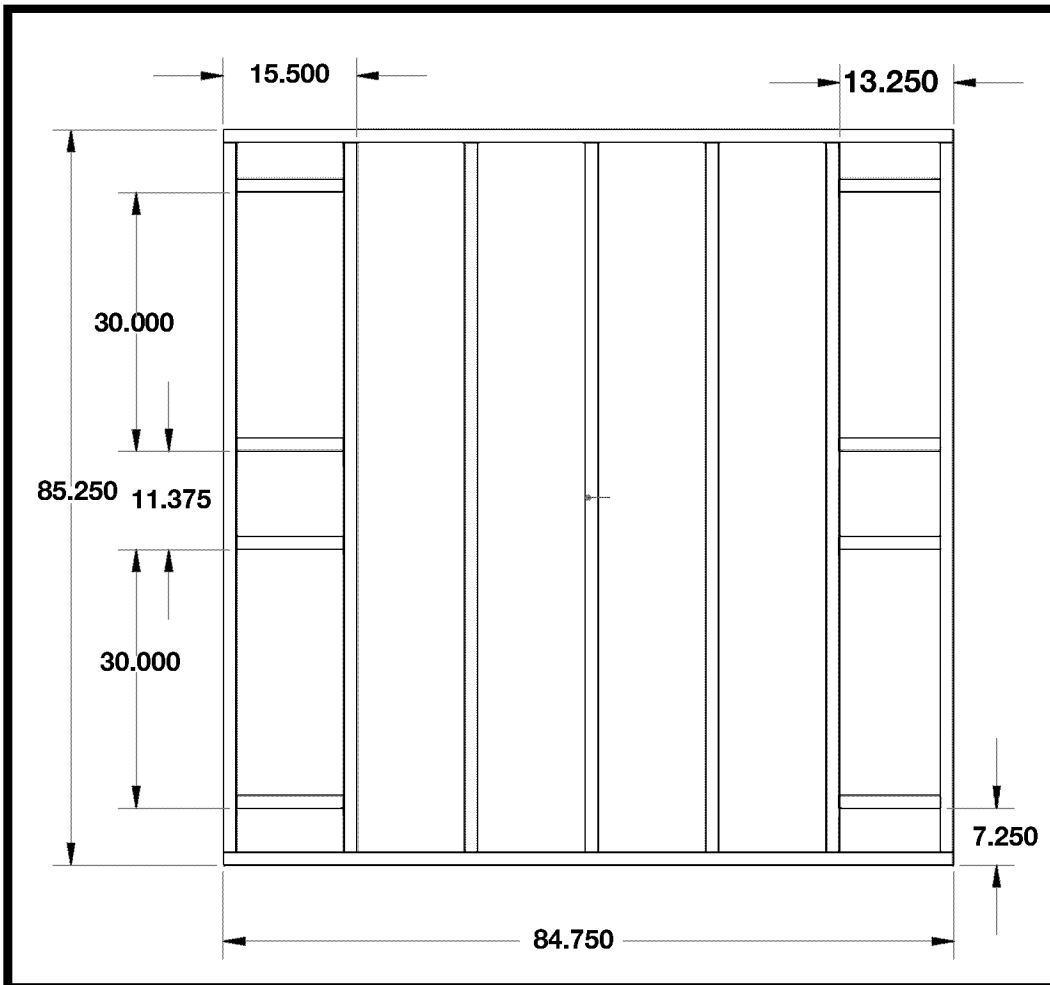


- Secure shed to wood platform using 1/4" x 3" lag screws.

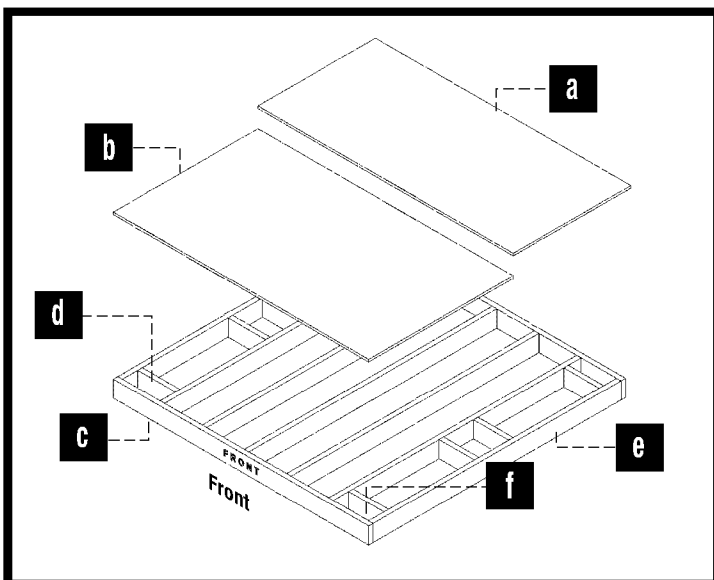
Site Preparation and Platform Construction (continued)

Materials **NOT** supplied with Shed Kit

Wood platform critical spacing



- Check all critical spacing measurements.

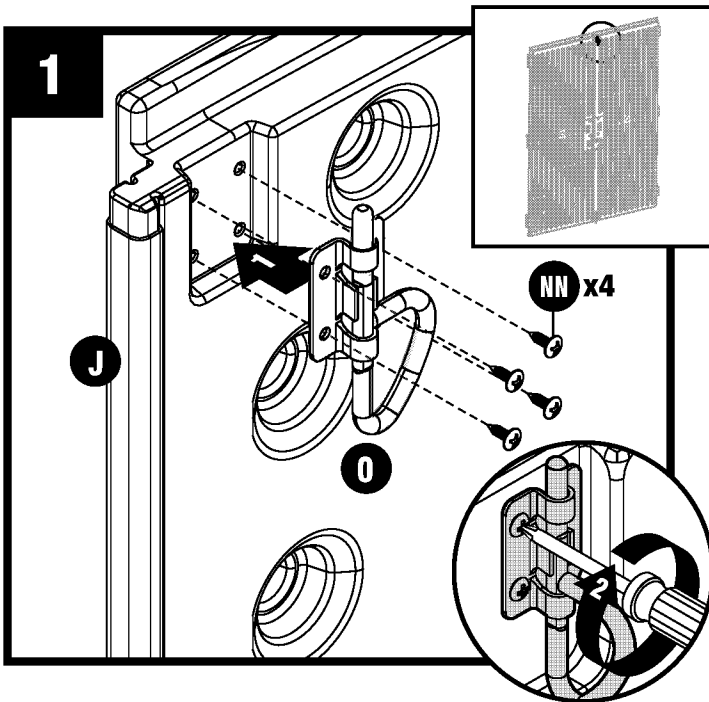


Wood platform materials list

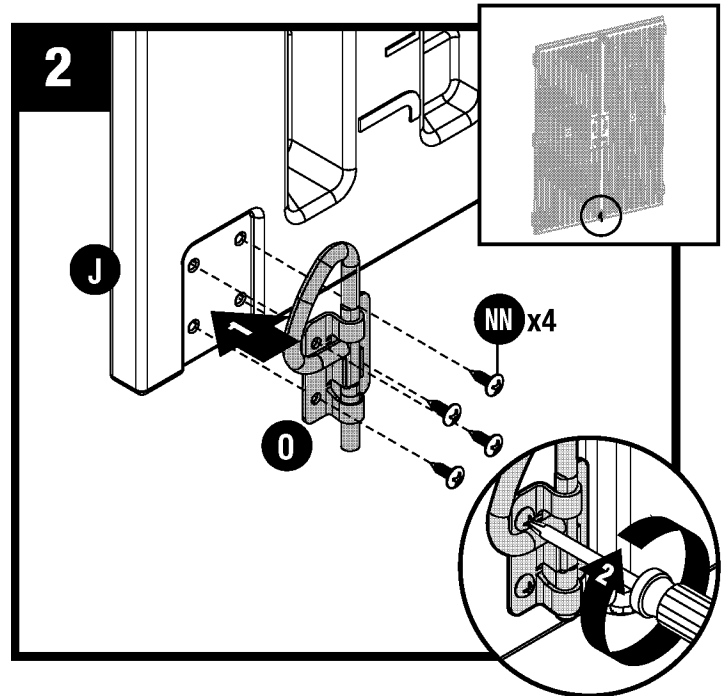
Item	Qty	Size
a	1	37.25" x 84.75" x .75"
b	1	48" x 84.75" x .75"
c	2	2" x 6" x 84.75"
d	4	2" x 6" x 12.5"
e	7	2" x 6" x 82.25"
f	4	2" x 6" x 11.75"

- Please note-dimensional lumber is actually 1/2" smaller than noted sizes.

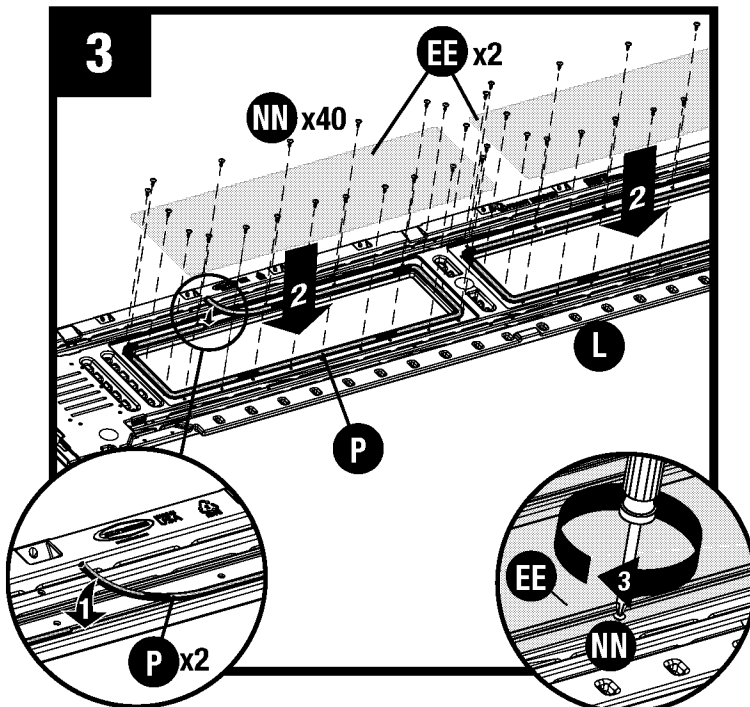
Door and Header Pre-Assembly



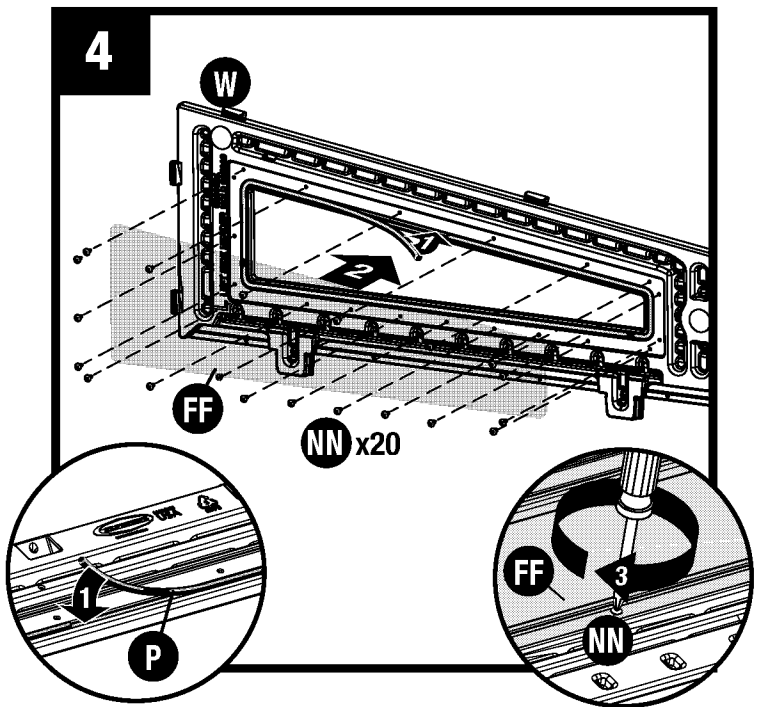
At top interior side of left door (J), attach D-ring slide bolt (O) with four screws (NN) through provided holes.



At bottom interior side of left door (J), attach D-ring slide bolt (O) with four screws (NN) through provided holes.

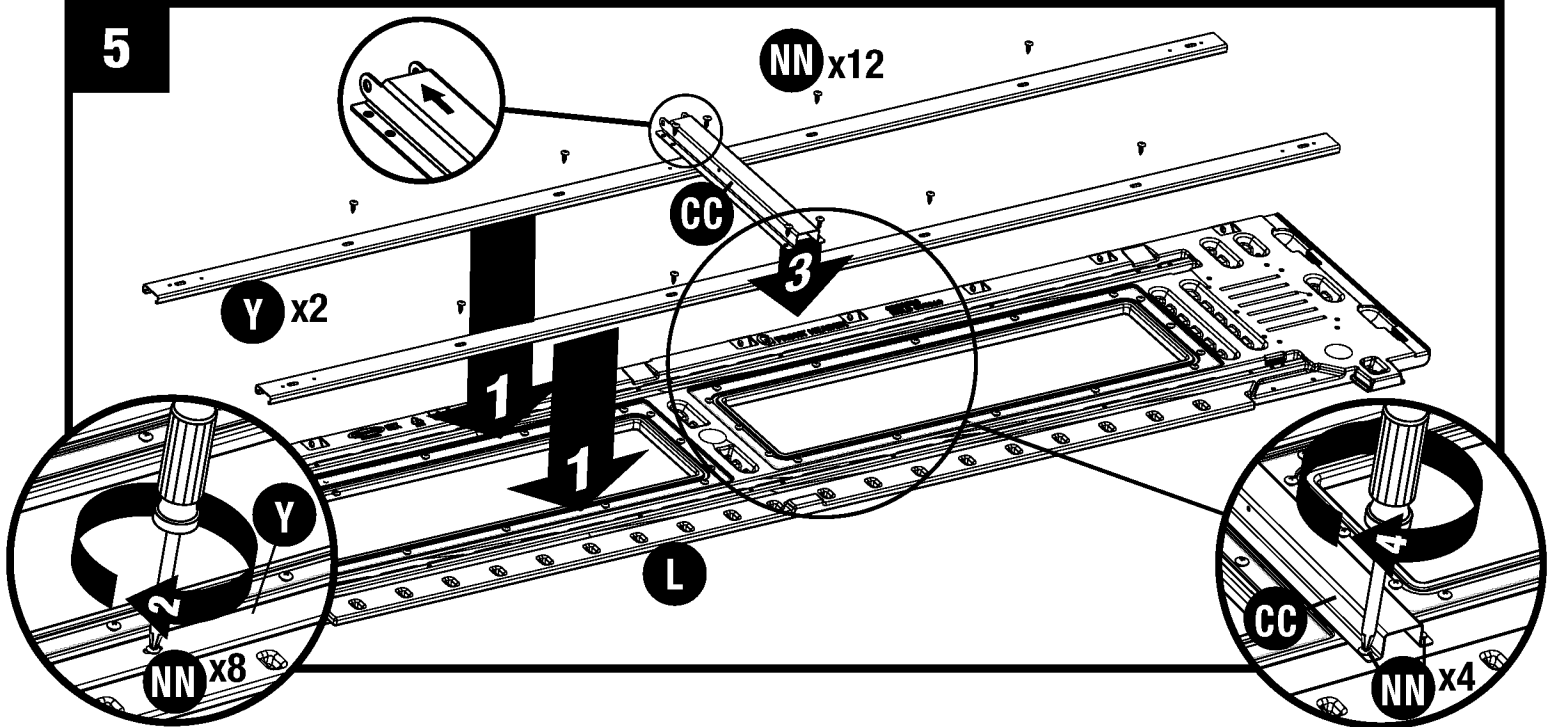


Place Front Header (L) on flat surface, facing down. Insert one gasket (P) into the groove around each window opening. Lay one window pane (EE) over each window opening. Secure window panes with 40 screws (NN).

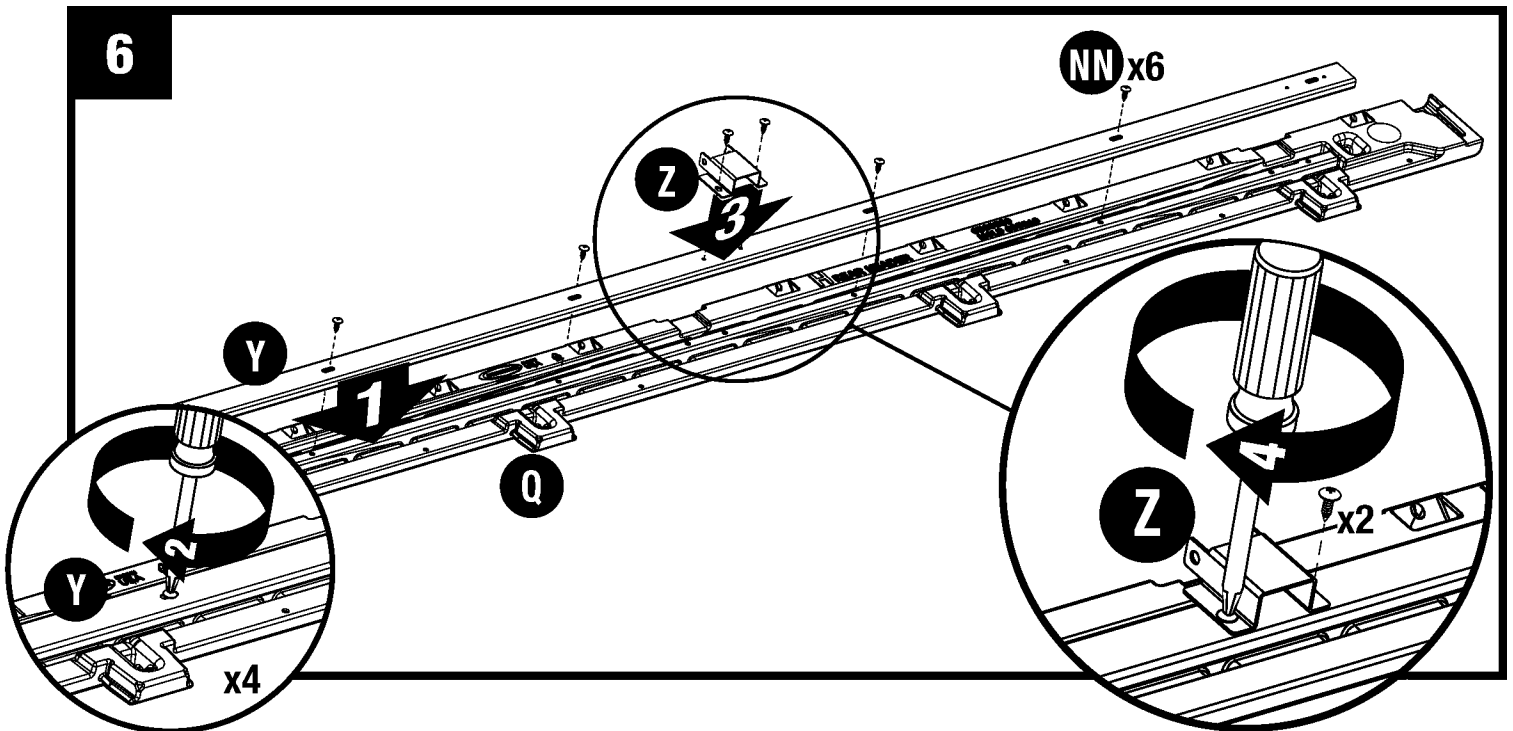


Place Left Side Header (W) on flat surface facing down. Insert one gasket (P) into groove around window opening. Place side window pane (FF) over window opening. Secure window pane with 20 screws (NN). Repeat for Right Side Header (X).

Header Pre-Assembly

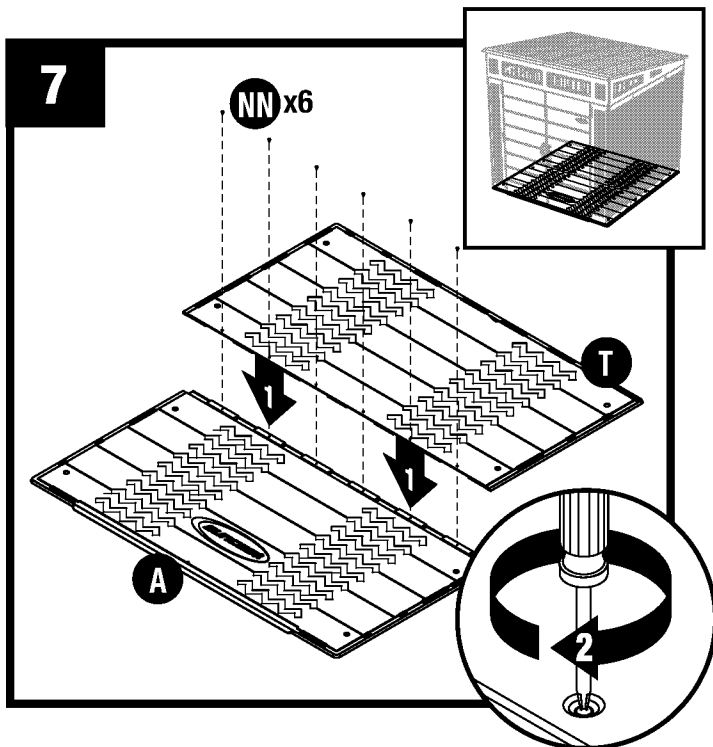


Place Front Header (L) face down on flat surface. Place one header beam (Y) in each channel above and below the window openings. Secure Beams (Y) with eight screws (NN). Place short side adapter (CC) between windows with the flat bottom end facing down. Secure adapter (CC) with four screws (NN).



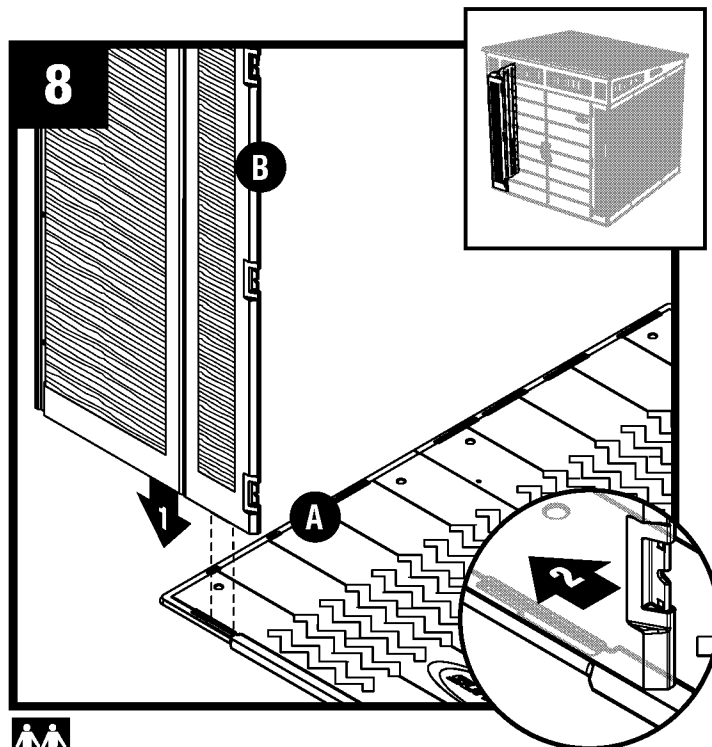
Place Rear Header (Q) face down on flat surface. Place remaining header beam (Y) in channel on back of header. Secure Beam (Y) with four screws (NN). Place support bracket (Z) at center of beam with the flat bottom end facing down. Secure bracket (Z) with two screws (NN).

Shed Assembly Floors and Walls



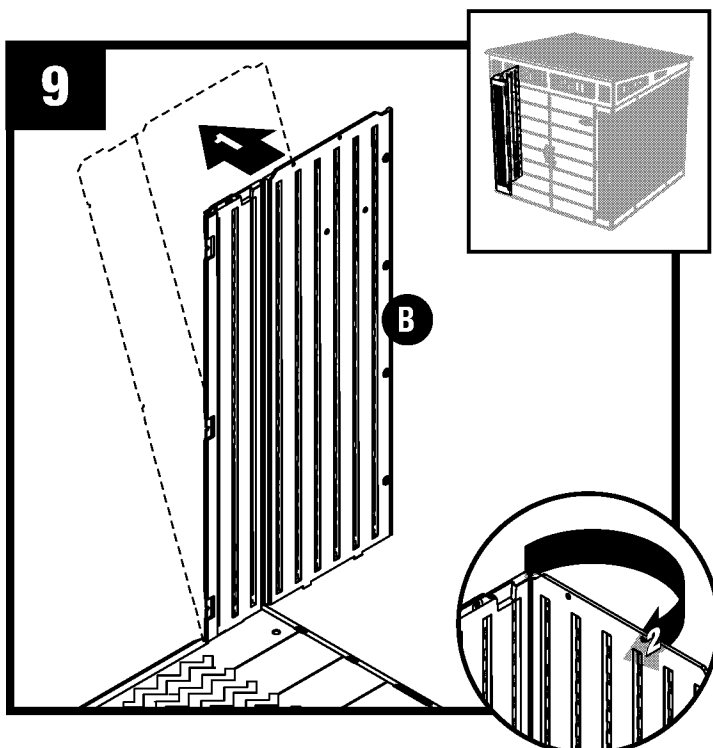
Push front floor (A) and rear floor (T) panels together and secure with six screws (NN).

Note: Refer to pages 10 and 11 for information about how to secure floors to foundation.

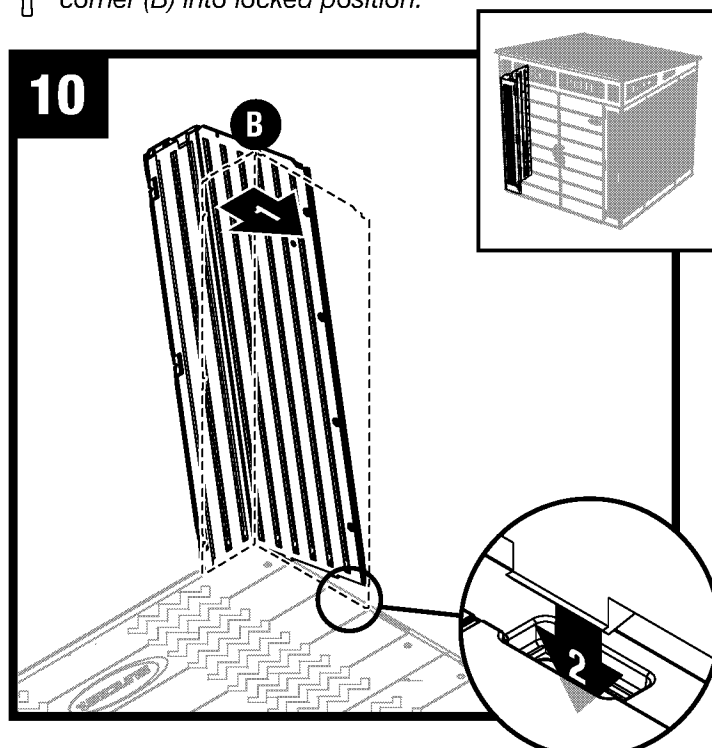


Align tab on bottom right side of left front corner (B) with slot on front floor (A). Lower panel into slot and lock in place by sliding panel toward outside of floor.

Note: Use a rubber mallet to “push” left front corner (B) into locked position.



Tip left front corner (B) outward slightly and bend corner hinge.



Tip left front corner (B) back to vertical position and align lower tabs on right side with slots in floor.

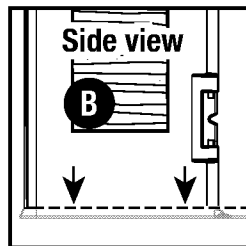
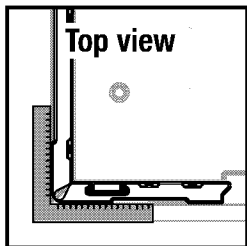
Note: You will hear a snap when tab is fully engaged.

Wall Assembly

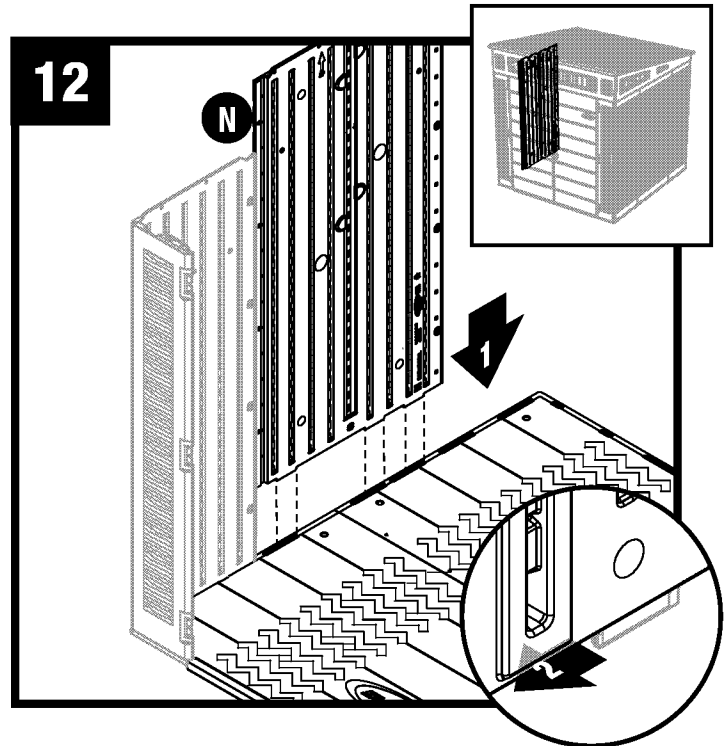
11

Before proceeding, make sure corner is square (top view) where it meets the floor and that panel is flush (side view) with floor.


If not, repeat Steps 9-10 until square and flush.



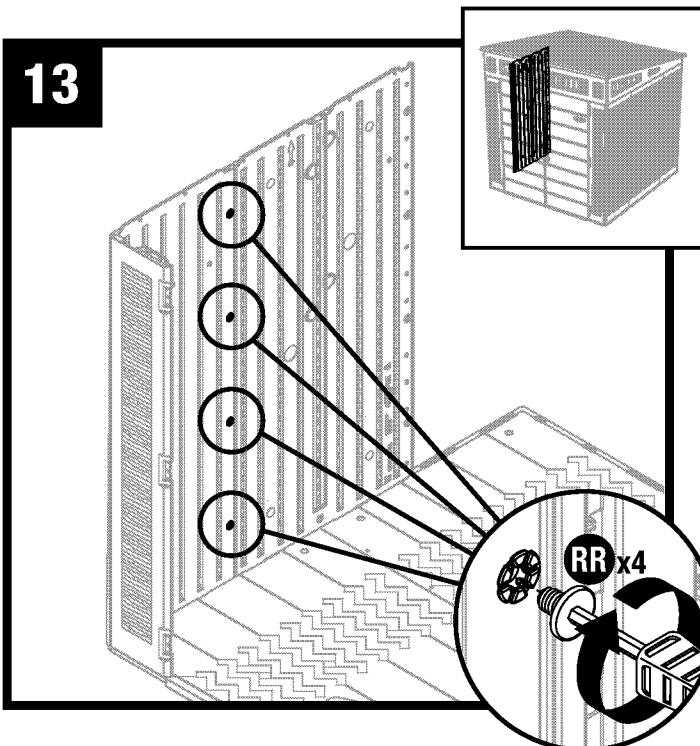
12




Align tabs on bottom of side panel (N) with slots along front and rear floors. Lower panel into slots and lock in place by sliding panel toward front corner.

 **Note:** Use a rubber mallet to “push” side panel (N) into locked position.

13



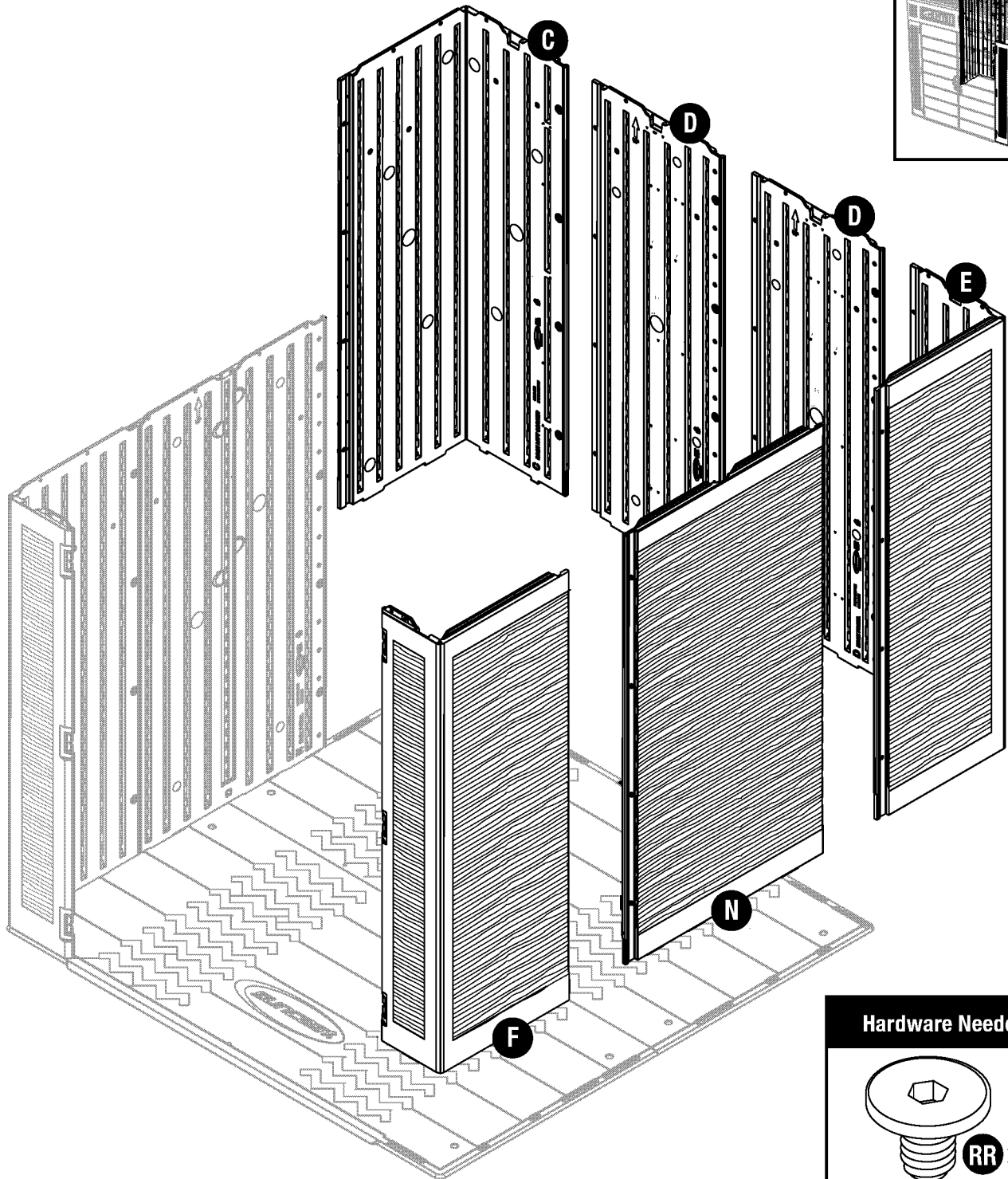
 **TIP:** Have a second person pushing from the outside

Secure side panel with four easy bolts (RR), working from floor to roof. **DO NOT** use torque wrench. Use easy bolt easy driver (SS) and hand tighten. Easy bolt head will be flush when fully seated. **DO NOT** over tighten easy bolts.

Note: You may hear a click when easy bolt has been tightened completely.

Shed Assembly/Walls

14

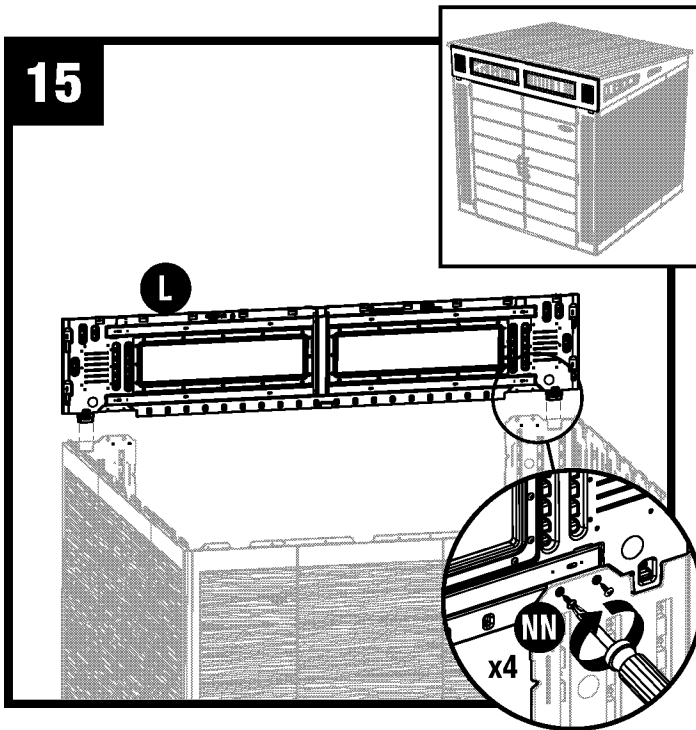


Hardware Needed

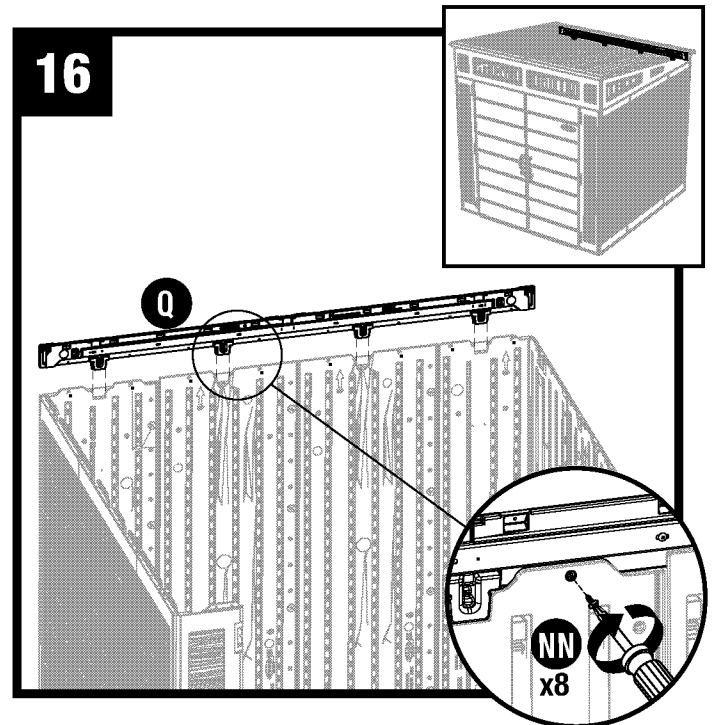


Repeat Steps 8-13 for remaining panels.

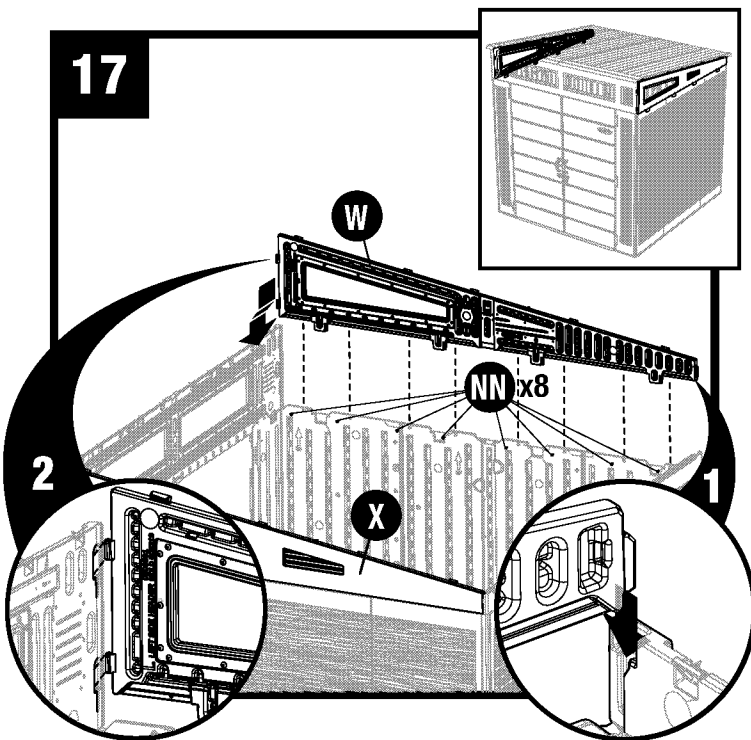
Shed Assembly/Headers




Place Front Header (L) over door opening and fit two protruding support tabs into pockets in front corners. Secure front header with four screws (NN).



Place Rear Header (Q) over back wall and fit the four protruding tabs into pockets provided in wall. Secure rear header with eight screws (NN)



 **TIP:** Have a second person hold wall from inside

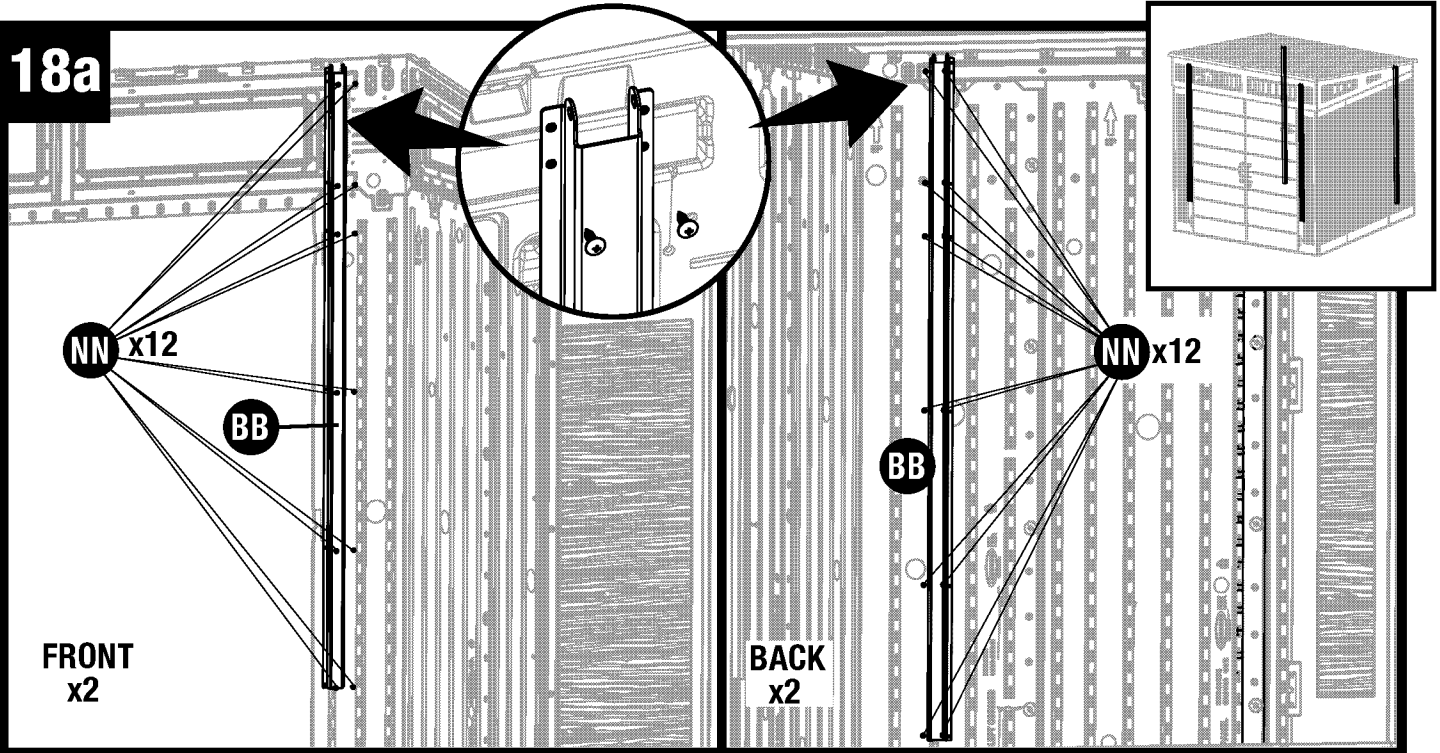
Place Left Side Header (W) over left side walls.

Insert the protrusion at the rear corner into the slot in the rear header and press down on the side header to secure in position. Insert the two protrusions at the front of the side header into the slots provided on the end of the front header and press down into slots. Fasten the side header with eight screws (NN).

Repeat for Right Side Header (X).

Shed Assembly/Roof Steel

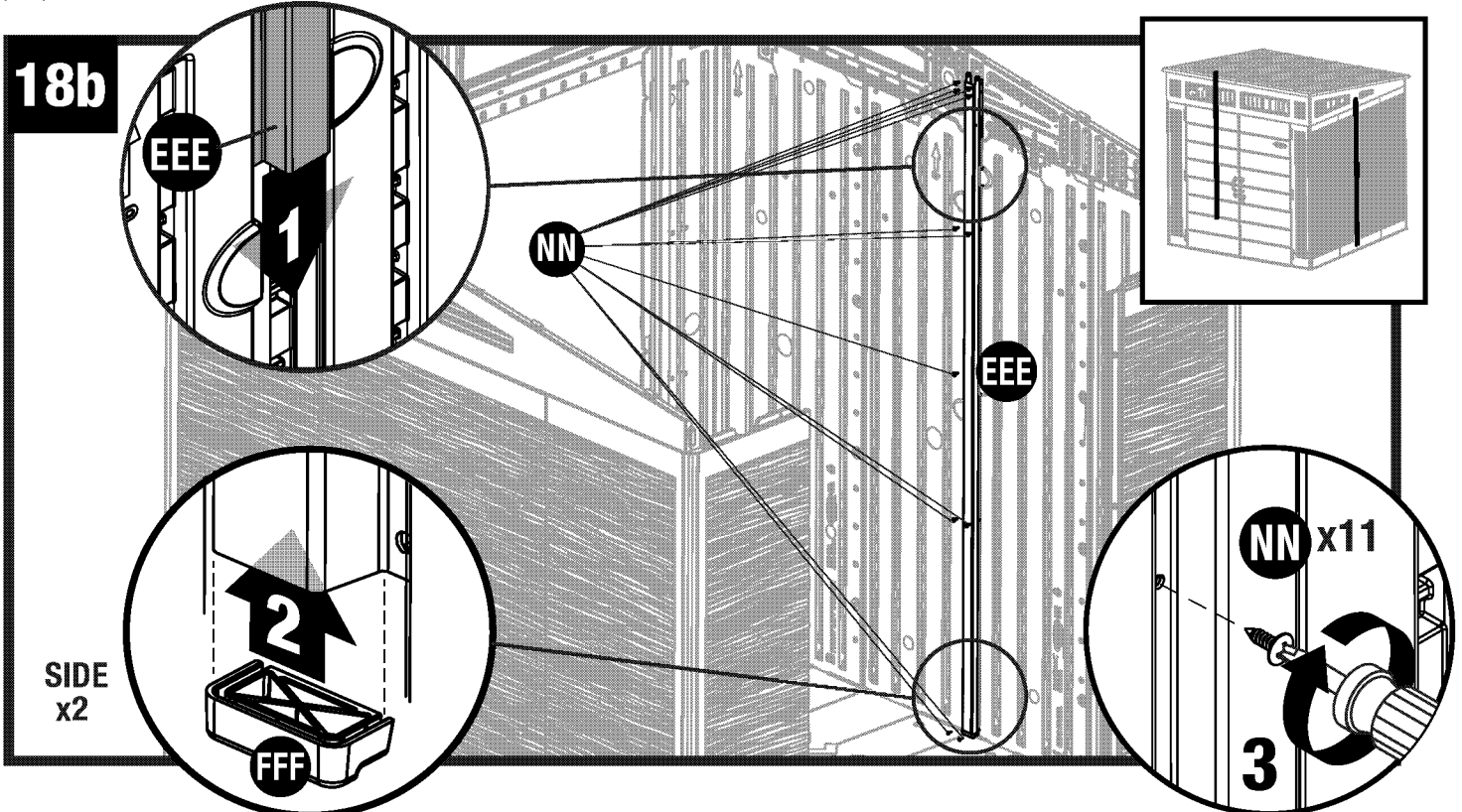
18a



Place one Side Adapter (BB) in position on right side of interior door opening. Secure with 12 screws (NN). Place one side adapter (BB) in position on back corner. Secure with 12 screws (NN).

Note: Critical Orientation of bracket is shown and used in next steps. Repeat steps with the remaining two side adapters (BB) on left side of the shed interior.

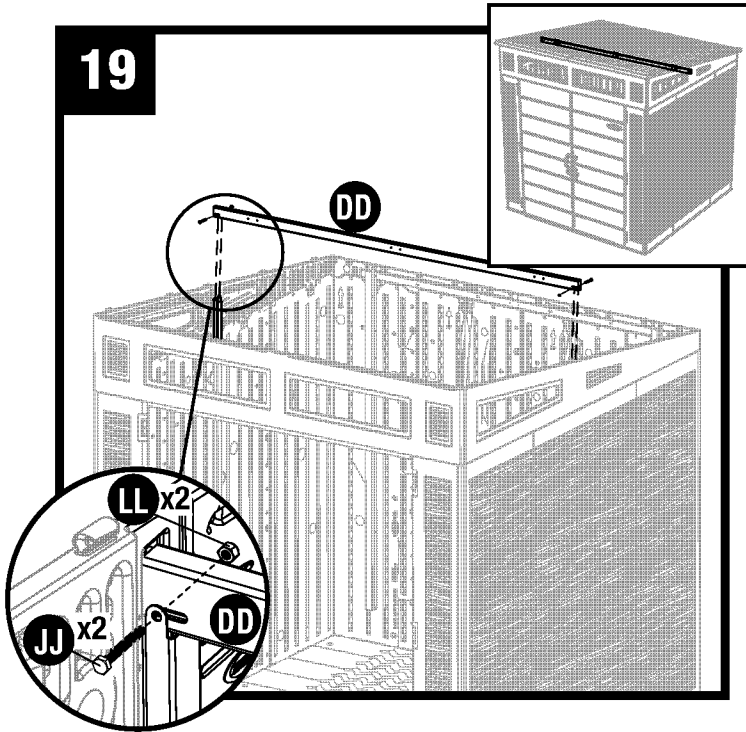
18b



Attach one wall adapter (EEE) to right side wall by sliding it in place from above. Raise the wall adapter slightly to press one adapter cap (FFF) to the bottom of the wall adapter. The capped wall adapter should rest on the floor. Secure with 11 screws (NN). Repeat steps with the remaining wall adapter (EEE) and cap (FFF) on left side of the shed interior.

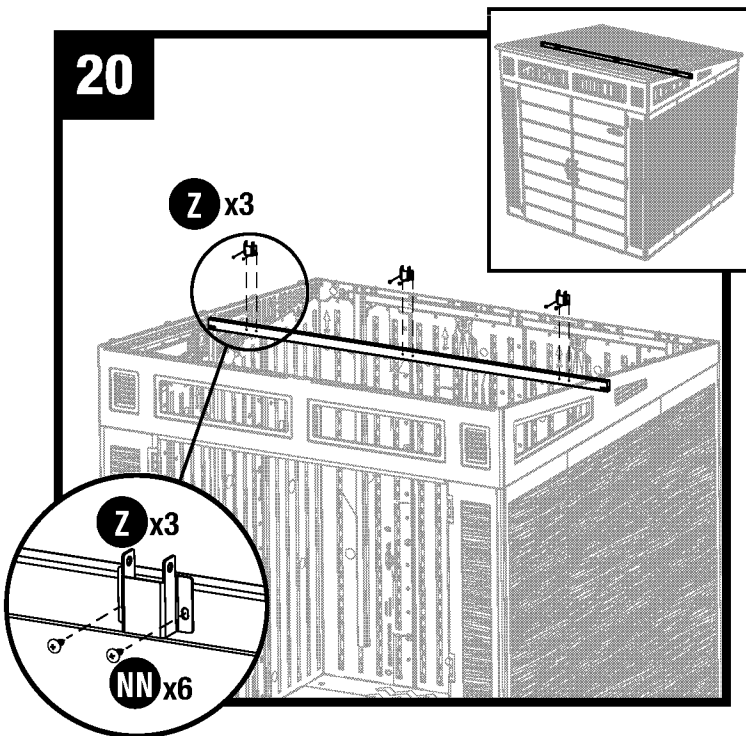
Shed Assembly/Roof Steel

19



Place Ridge Beam (DD) into top of the two wall mounted side adapters. Secure with one bolt (JJ) and one nut (LL) at each end of the ridge beam.

20

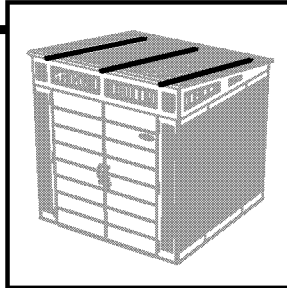


Attach three Support Brackets (Z) to the front of the Ridge Beam (DD) using two screws (NN).

Note: Critical Connection, screws will be difficult to get started in the steel Ridge Beam

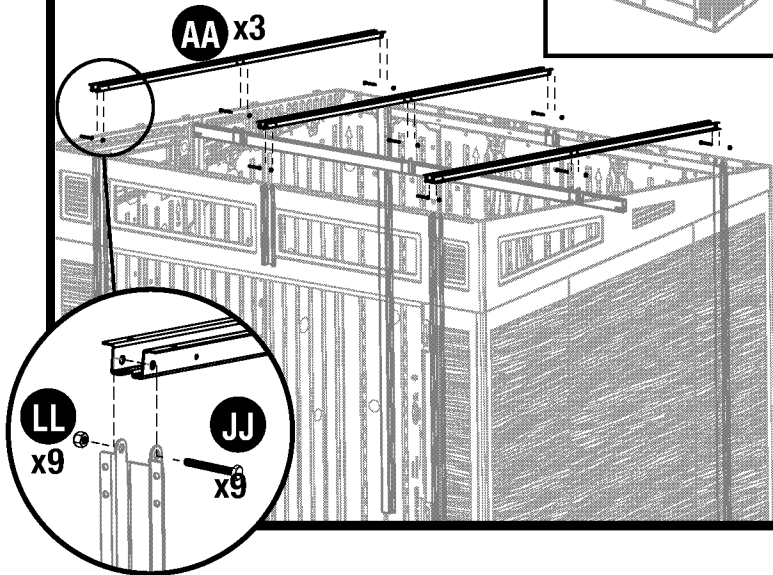
Shed Assembly/Roof Steel and Roof Panels

21

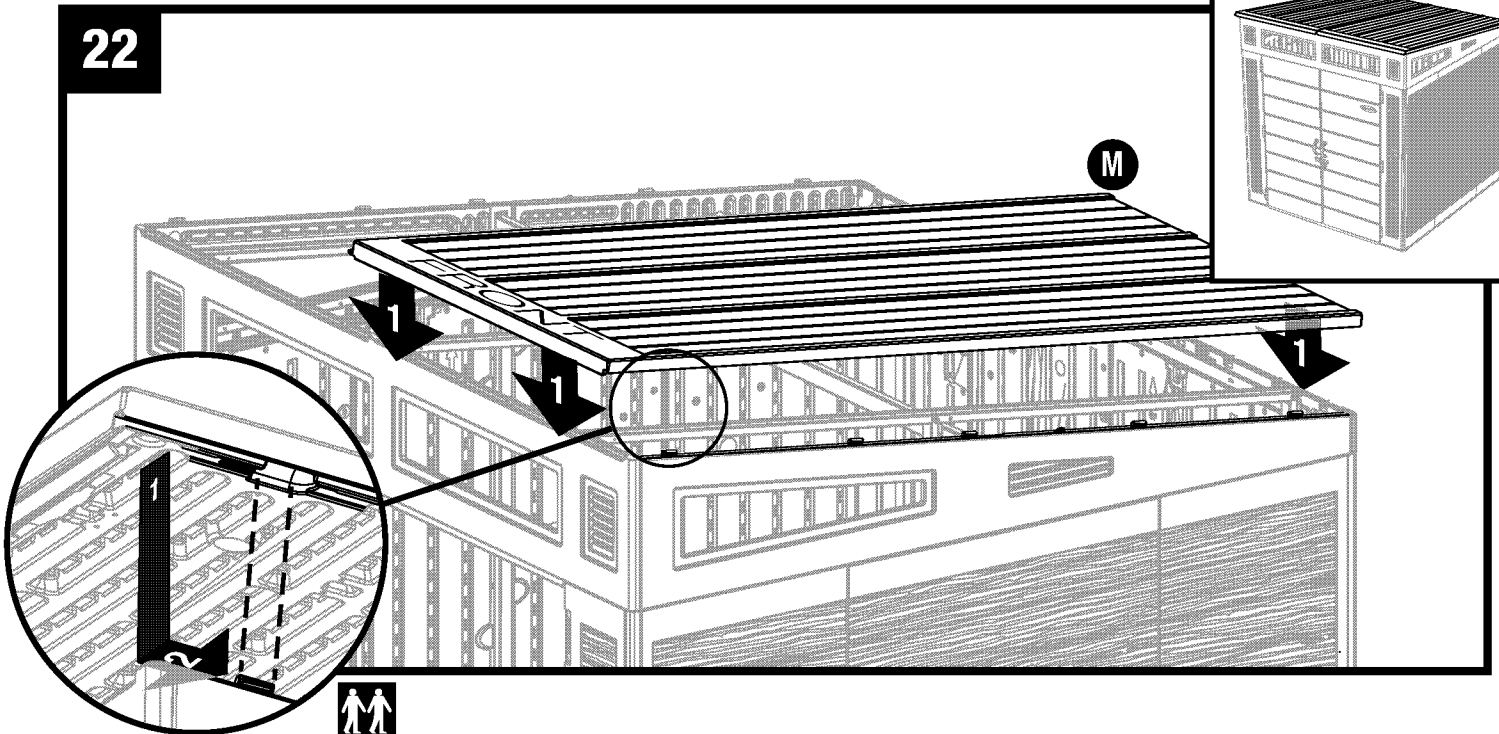
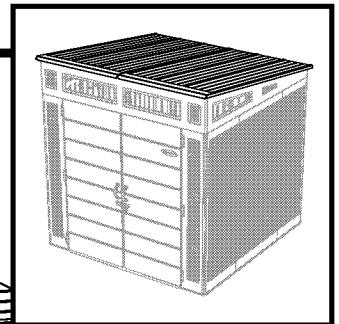


Place one Truss Leg (AA) over the side adapters and support bracket on the back wall, ridge beam, and the front header. Secure into the three brackets with bolts (JJ) and Nuts (LL).

Repeat steps for the remaining two truss legs (AA).

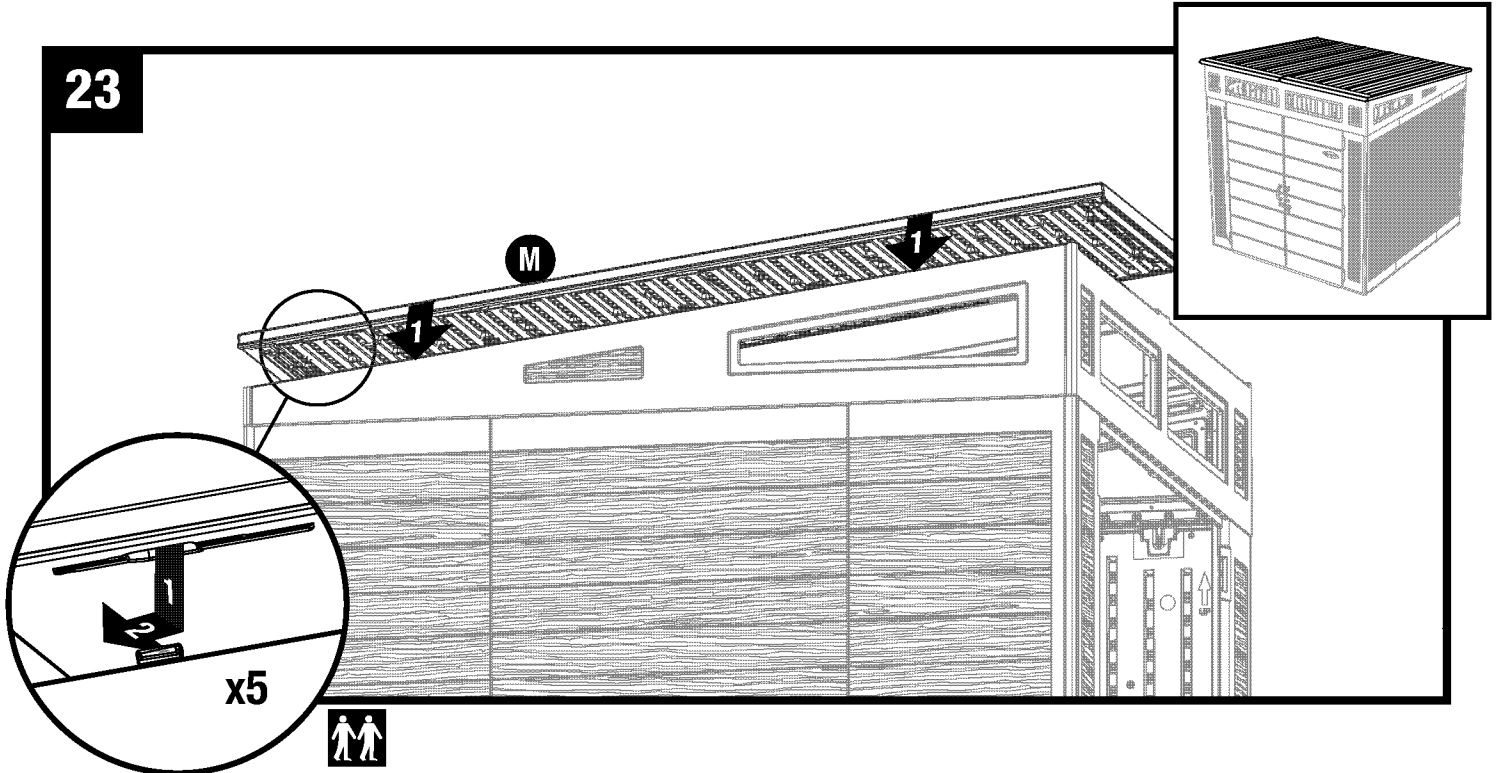


22

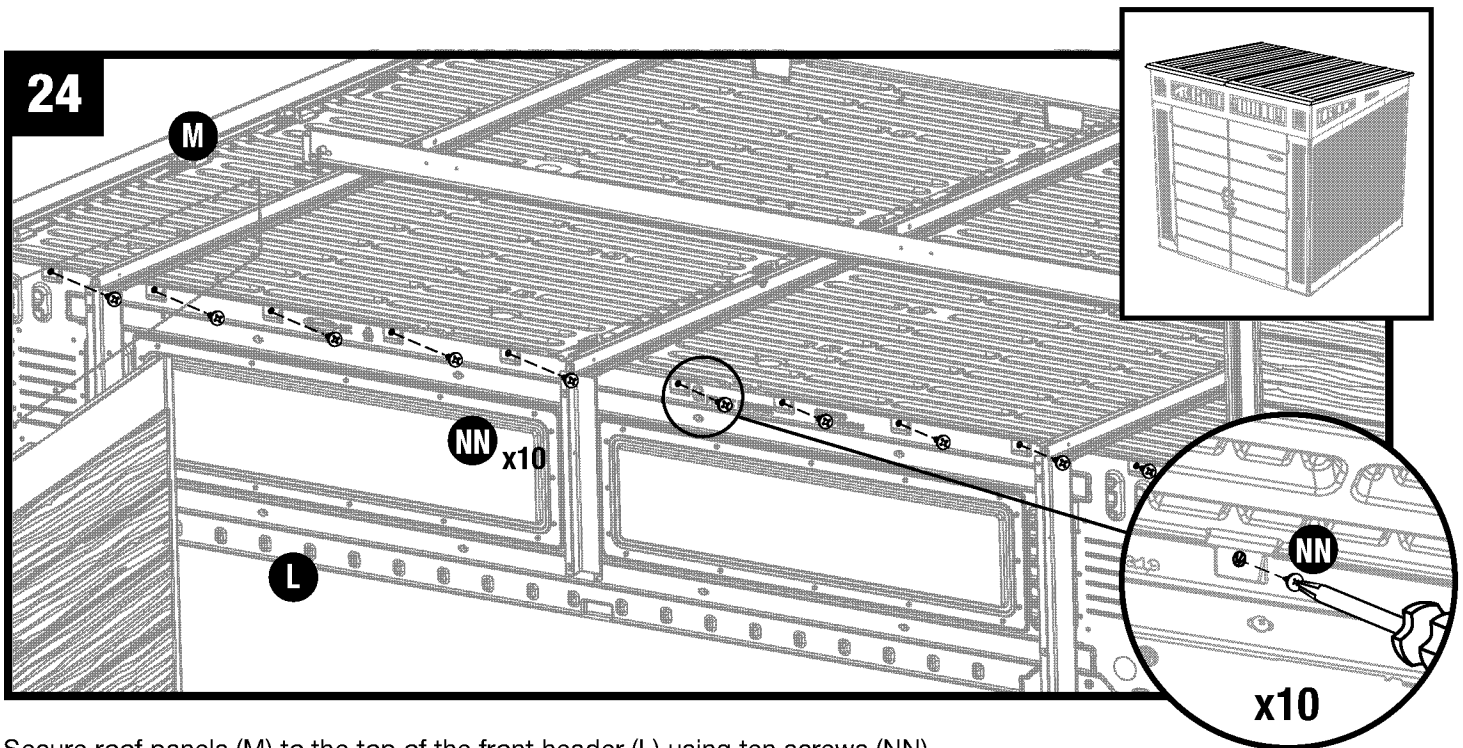


Line up one Roof Panel (M) with the right side header so the tabs on the header align with the five slots in the roof panel. NOTE: The wide band on the roof panel faces front. Once the panel is engaged, slide the roof toward the back wall to fully engage the attachment features.

Shed Assembly/Roof Panels



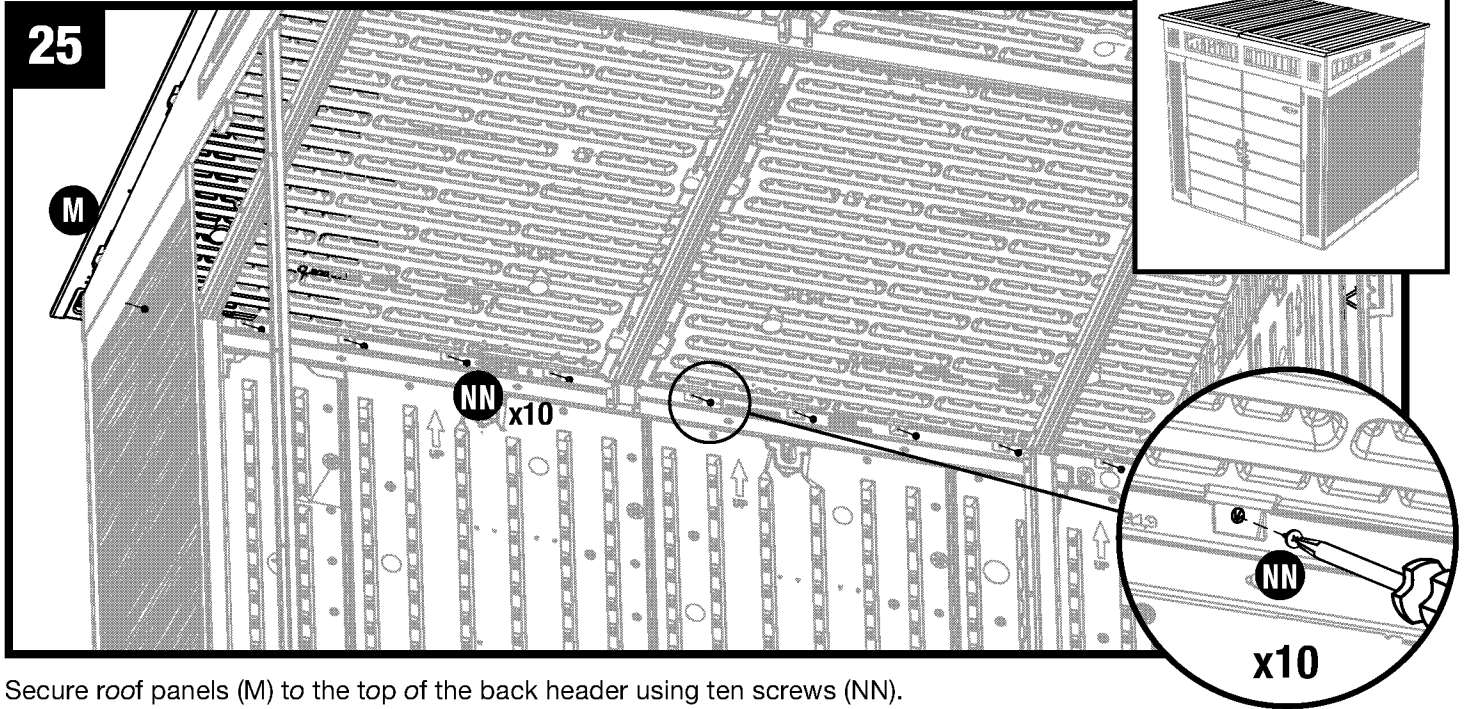
Line up the remaining roof panel (M) on the left side header with header tabs fitting into roof panel slots. Slide the roof panel toward the back wall to fully engage the five attachment features.



Secure roof panels (M) to the top of the front header (L) using ten screws (NN).

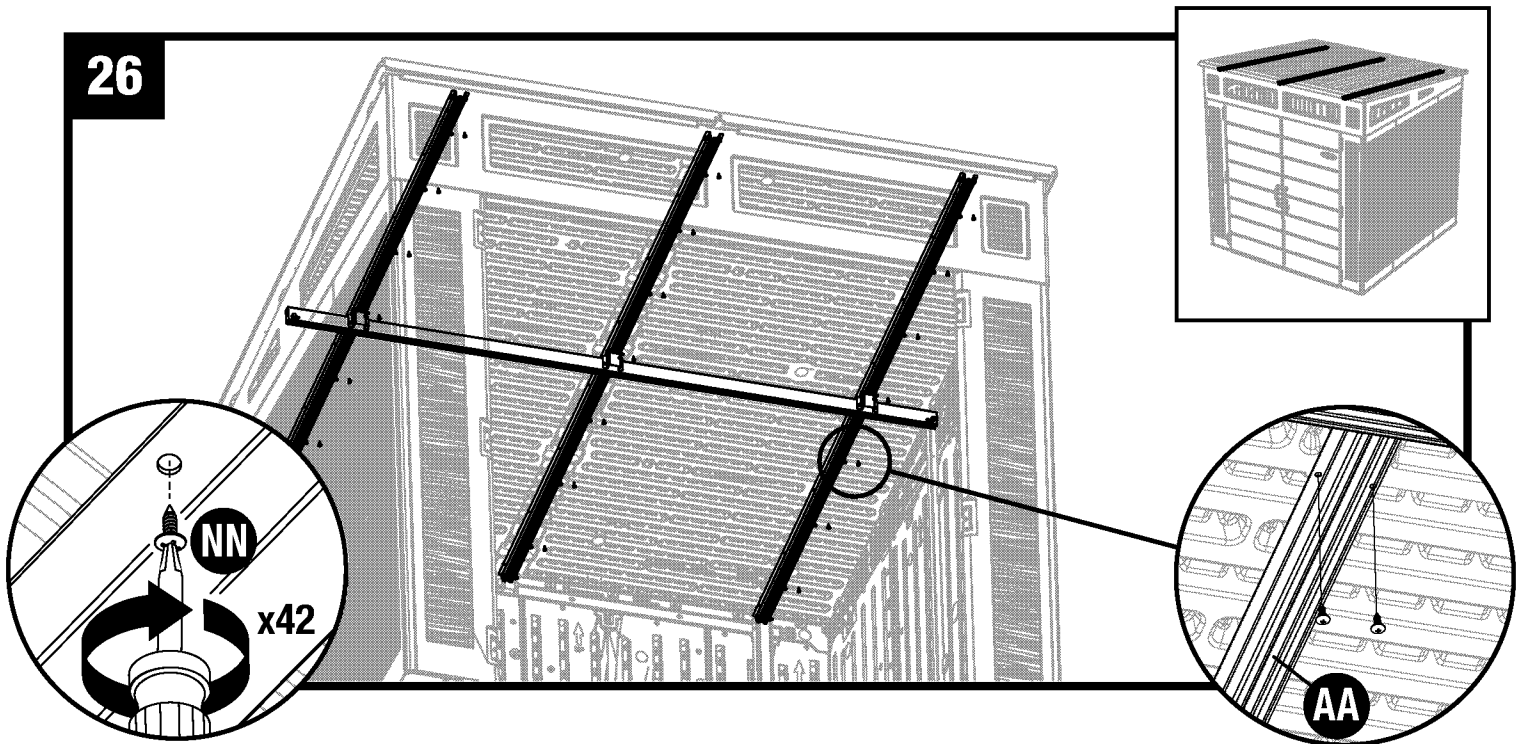
Note: For clarity, illustration is shown with some parts removed.

Shed Assembly/Roof Panels



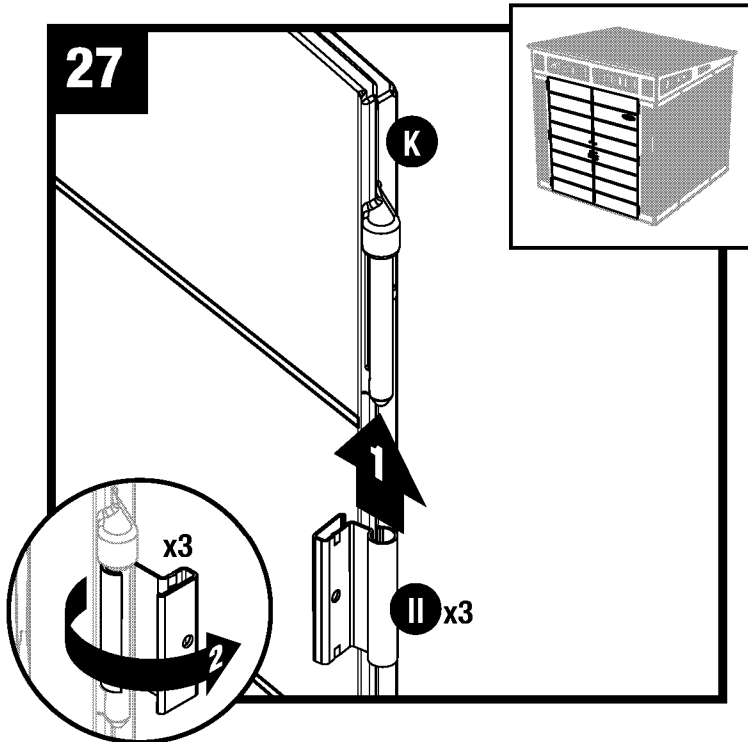
Secure roof panels (M) to the top of the back header using ten screws (NN).

Note: For clarity, illustration is shown with some parts removed.

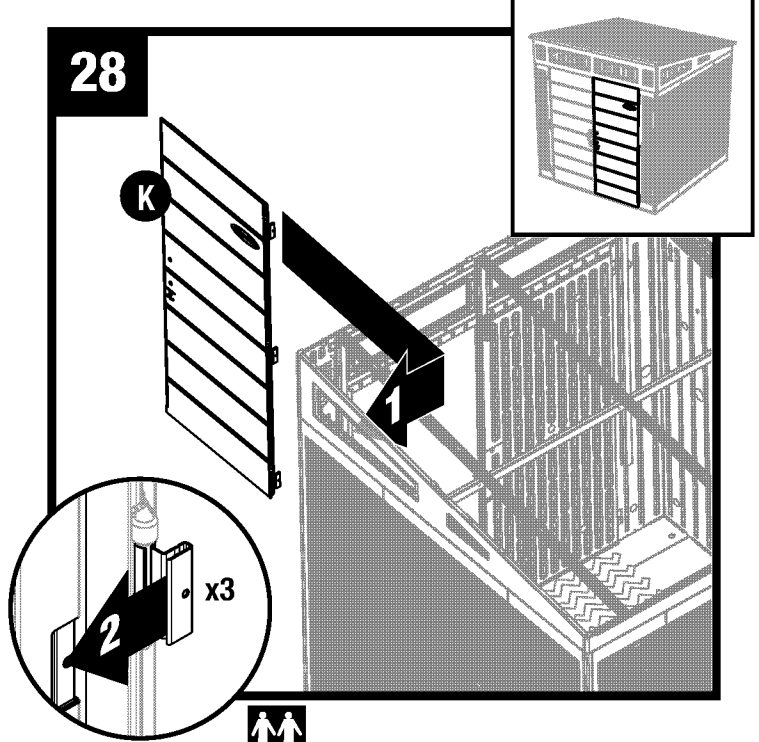


Each truss leg (AA) is secured to the roof panels (M) with 16 screws (NN).

Shed Assembly/Doors



Stand right door (K) upright with three hinge mounts facing right. Slide one metal hinge plate (II) up onto each hinge mount. Rotate hinges to outside of door.

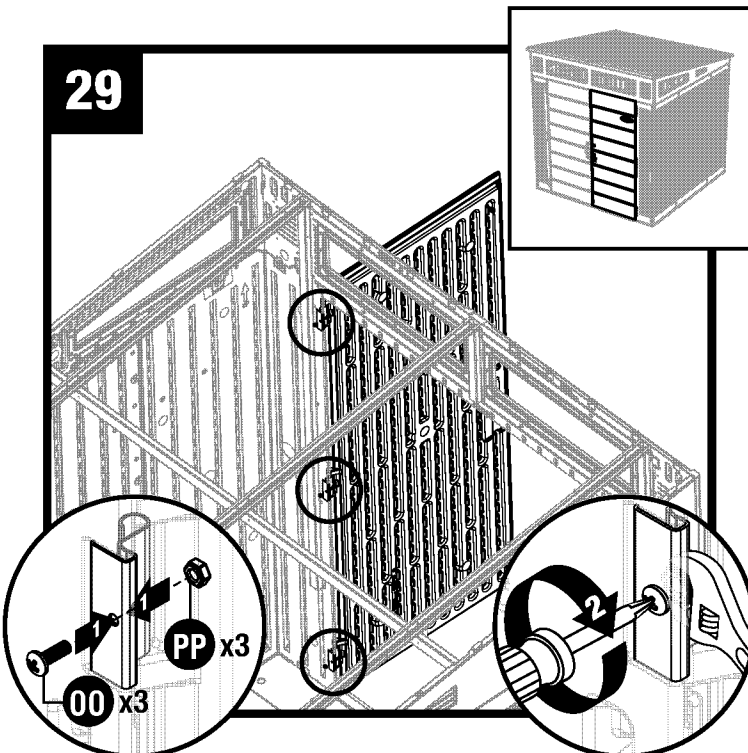


With metal hinge plates in open position, slide one hinge over each hinge receptacle on inside of right front panel.

Note: For clarity, illustration is shown with roof removed.



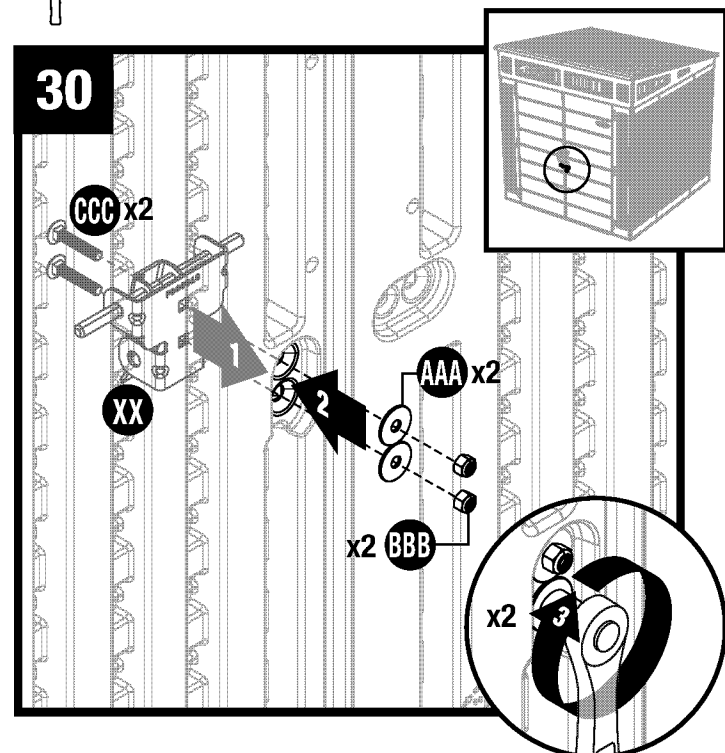
Note: Use a rubber mallet if necessary.



Secure each metal hinge plate with one screw (OO) and one locking nut (PP).

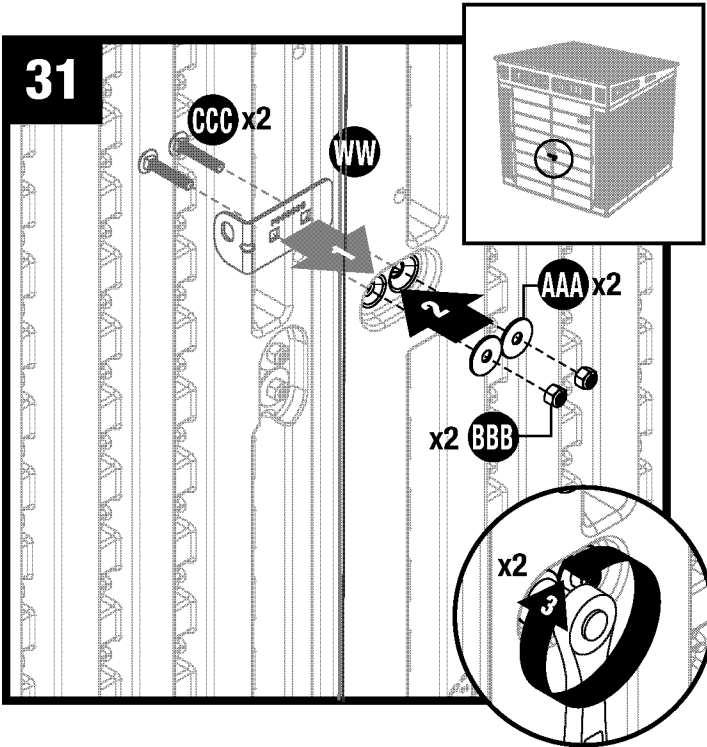
Repeat Steps 27-28 for left door (J).

Note: For clarity, illustration is shown with roof removed.

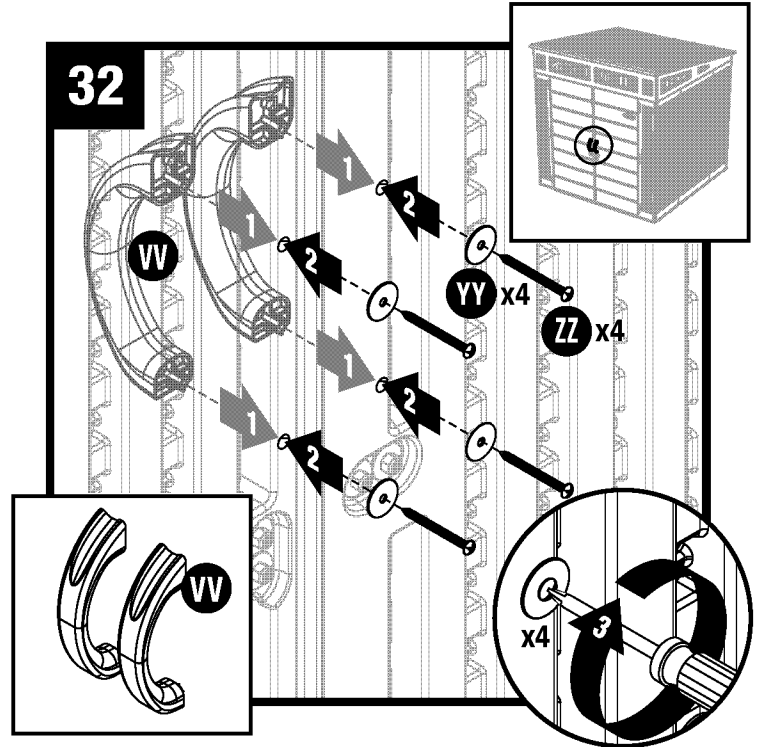


Insert two screws (CCC) into right latch plate (XX) and through right door. While holding plate in place on exterior of door, secure each screw with two washers (AAA) and two locking nuts (BBB). -DO NOT OVERTIGHTEN-

Shed Assembly/Doors

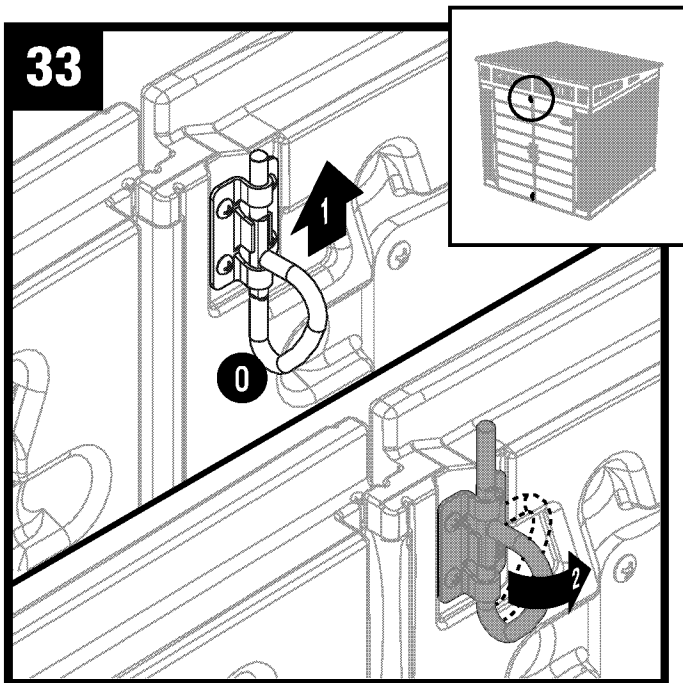


Insert screws (CCC) into left latch plate (WW) and through left door. While holding plate in place on exterior of door, secure each screw with two washers (AAA) and two locking nuts (BBB). -DO NOT OVERTIGHTEN-

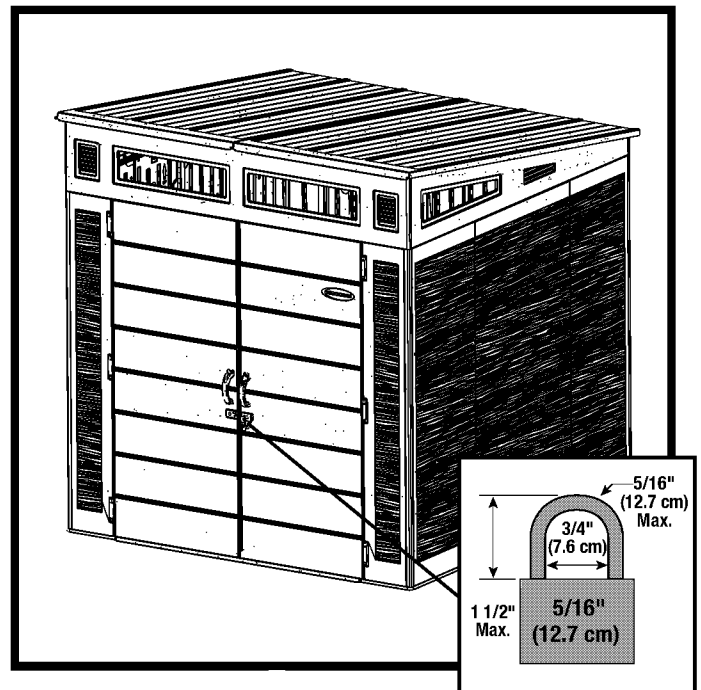


From the outside of doors, insert door handle (VV) stems into holes of left and right doors. On inside of doors, place washers (YY) on each door handle stem, and secure each with one screw (ZZ).

-DO NOT OVERTIGHTEN-



Lift upper D-ring (O) up to engage in front of header. Turn D-ring to right for locked position. Repeat with lower D-Ring (O).



Attach a 5/16" lock (not provided) to door latch to properly secure shed.

Warranty

SUNCAST® Building, Shed and Gazebo Ten Year Limited Warranty

Your SUNCAST® Building, Shed or Gazebo has a TEN YEAR LIMITED WARRANTY against product failure resulting from defects in manufacturing or materials. The warranty period starts on the delivery date. Incidental and consequential damages are not covered.

Warranty Claims

To file a warranty claim contact the manufacturer, SUNCAST® CORPORATION, 701 North Kirk Road, Batavia, Illinois, 60510. Call toll free (800) 846-2345 or visit www.Suncast.com.

SUNCAST® will repair or replace only the parts that failed under the terms of the warranty. In some cases, the replacement parts may not be identical, but they shall be of equal or greater performance than the original part.

We may require proof of purchase. Proof of purchase may be the original dated store receipt. We may require evidence of the failure. Evidence of failure may include photographs or returning failed components to SUNCAST.

WARRANTY LIMITATIONS

THIS WARRANTY COVERS ONLY DEFECTS THAT AFFECT THE FORM, FIT OR FUNCTION OF THE UNIT. It excludes natural aging of the unit, discoloration, ordinary wear and tear, ordinary weathering, sunlight fading, or rust. It excludes staining caused by mold, mildew or tree sap and damage caused by animals including insects, vermin or household pets. The warranty does not cover damage caused by Acts of Nature including but not limited to: wind in excess of 65 mph; tornado; hurricane; microburst; hail; flood; blizzard; extreme heat; pollution or fire events. For all storm and windy conditions, the doors must be closed, latched, and a padlock used through the door handle padlock receptacles. Left and right doors may have different latches, and both must be engaged. Latching devices vary by model. The warranty does not cover damage caused by Sun energy reflected from "Low-E" windows or other reflective materials. The user is responsible for protecting the product from damage in this situation.

The following actions void the warranty: improper assembly; assembly on a foundation other than as described in the assembly instructions; use above intended and reasonable capacity; misuse; abuse; failure to perform ordinary maintenance; failure to remove snow over 8 inches deep; modification; cleaning with abrasive tools, exposing the unit to heat sources and vandalism. Painting, sandblasting, cleaning with harsh chemicals not recommended for plastics voids the warranty on resin components. Modification of the original product voids all warranties. Suncast assumes no liability for any modified product or consequences resulting from failure of a modified product. Damage due to moving, transporting, or relocating the product voids the warranty. Disassembly of this unit for reasons other than authorized repair voids the warranty.

Suncast is not responsible for: loss of use of the unit; labor for repair; inspection fees or disposal costs.

SUNCAST® reserves the right to reimburse the owner the purchase price of the unit on a STRAIGHT LINE DEPRECIATED BASIS FOR THE LENGTH OF THE WARRANTY IN LIEU OF REPAIR OR REPLACEMENT. The Purchase Price does not include taxes, delivery charges, site preparation costs, permits, fees, assembly costs, or disposal costs.

THIS WARRANTY IS NONTRANSFERABLE. IT IS VALID FOR NORMAL HOUSEHOLD USE ONLY. THE WARRANTY IS VOIDED BY COMMERCIAL OR INDUSTRIAL USE. IT EXCLUDES FLOOR MODELS, CLEARANCE AND OPEN BOX UNITS.

Notice

Suncast® does not represent that this unit will meet city, county, state, homeowner's association standards or zoning requirements. The owner is responsible for securing all permits and meeting other requirements needed for placement, construction and use.

THE MANUFACTURER'S LIABILITY HEREUNDER IS LIMITED SOLELY TO THE REPAIR OR REPLACEMENT OF THE DEFECTIVE PRODUCT OR PART AND THE MANUFACTURER SHALL IN NO EVENT BE LIABLE FOR ANY INCIDENTAL OR CONSEQUENTIAL DAMAGES WHICH MAY RESULT FROM ANY DEFECT IN MATERIAL OR WORKMANSHIP OR FROM THE BREACH OF ANY EXPRESS OR IMPLIED WARRANTY.

This warranty gives you specific legal rights, and you may also have other rights which vary from state to state. Some states do not allow the exclusion or limitation of incidental or consequential damages; the limitation or exclusion may not apply to you.