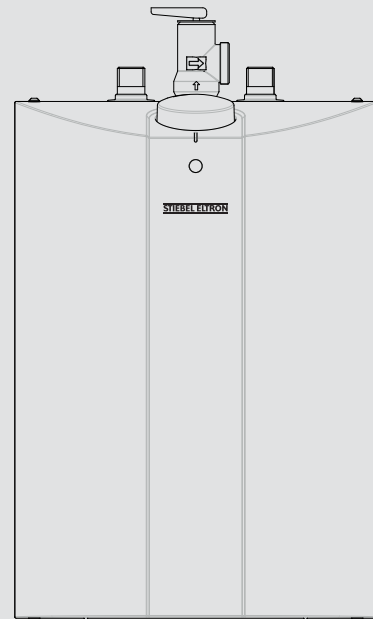


**OPERATION AND INSTALLATION INSTRUCTIONS
FOR THE LICENSED PLUMBER
INSTRUCCIONES DE FUNCIONAMIENTO E INSTALACIÓN
PARA EL PLOMERO MATRICULADO
MODE D'EMPLOI ET DIRECTIVES D'INSTALLATION
INSTALLATION À L'INTENTION DES PLOMBIERS AGRÉÉS**

MINI-TANK ELECTRIC WATER HEATERS
CALENTADORES DE AGUA ELÉCTRICOS DE MINI-TANQUE
CHAUFFE-EAU ÉLECTRIQUES À MINI-RÉSERVOIR

- » SHC 2.5
- » SHC 4
- » SHC 6



Certified to ANSI / UL Std. 174
Conforms to CAN/ CSA Std. C22.2 No. 110

Certificación con ANSI/UL Std. 174
Conforme a CAN/CSA Std. C22.2 No. 110

Certifié à la norme ANSI/UL Std. 174
Conforme à la norme CAN/CSA Std. C22.2 No. 110



Tested and certified by WQA to NSF/ANSI 372
for lead free compliance.

Probado y certificado por WQA NSF/ANSI 372 para
el cumplimiento de las regulaciones sin plomo.

Testé et certifié par WQA à la NSF/ANSI 372 pour
une utilisation sans plomb.

STIEBEL ELTRON

OPERATION

1. General Information _____ 3
 2. Safety Precautions _____ 3
 3. Register your product _____ 4
 4. General Description _____ 4
 5. Technical Description _____ 4
 6. General Recommendations _____ 4

INSTALLATION

7. Mounting the Unit _____ 5
 8. Plumbing Connections _____ 5
 8.1 Filling the Water Heater _____ 6
 9. Electrical Connection _____ 6
 10. Settings _____ 6
 11. Maintenance Instructions _____ 7
 11.1 Descaling the heating element _____ 7
 11.2 Venting the T&P relief valve _____ 7
 11.3 Draining the water heater _____ 7
 11.4 Removing the cover _____ 7
 11.5 Removing the heating element _____ 8
 11.6 De-scaling the heating element _____ 8
 11.7 Replacing the heating element _____ 8
 11.8 Changing the anode rod _____ 8
 11.9 Safety Shut-off _____ 9
 12. Technical Data _____ 9
 12.1 Dimensions, SHC 2.5 _____ 10
 12.2 Dimensions, SHC 4 _____ 10
 12.3 Dimensions, SHC 6 _____ 10
 12.4 Wiring diagram _____ 10
 13. Warranty _____ 11

OPERATION

IMPORTANT SAFETY INSTRUCTIONS



WARNING:

When using electrical appliances, basic safety precautions to reduce the risk of fire, electric shock, or injury to persons should be followed, including:

- 1 READ ALL INSTRUCTIONS BEFORE USING THE WATER HEATER.
- 2 This water heater must be grounded. Connect only to properly grounded outlet. See the special grounding instructions in chapter 9, "Electrical Connection", pg. 6.
- 3 Install or locate this water heater only in accordance with the provided installation instructions.
- 4 Use this water heater only for its intended use as described in this manual.
- 5 Do not use an extension cord with this water heater. If no receptacle is available adjacent to the water heater, contact a qualified electrician to have one properly installed.
- 6 As with any appliance, close supervision is necessary when used by children.
- 7 Do not operate this water heater if it has a damaged cord or plug, if it is not working properly, or if it has been damaged or dropped.
- 8 This water heater should be serviced only by qualified service personnel. Contact nearest authorized service facility for examination, repair, or adjustment.

SAVE THESE INSTRUCTIONS

1. General Information



CAUTION:

To reduce the risk of excessive pressures and temperatures in this water heater, install temperature and pressure protective equipment required by local codes and no less than a combination temperature and pressure relief valve certified by a nationally recognized testing laboratory that maintains periodic inspection of production of listed equipment or materials, as meeting the requirements for relief valves and automatic gas shutoff devices for hot water supply systems, ANSI Z21.22. This valve must be marked with a maximum set pressure not to exceed the marked maximum working pressure of the water heater. Install the valve into an opening provided and marked for this purpose in the water heater, and orient it or provide tubing so that any discharge from the valve exits only within 6 inches above, or at any distance below, the structural floor, and does not contact any live electrical part. The discharge opening must not be blocked or reduced in size under any circumstances.

Read this entire manual. Failure to follow all the guides, instructions and rules could cause personal injury or property damage. Improper installation, adjustment, alteration, service and use of this unit can result in serious injury.

This unit must be installed by a licensed electrician and plumber. The installation must comply with all national, state and local plumbing and electric codes. Proper installation is the responsibility of the installer. Failure to comply with the installation and operating instructions or improper use voids the warranty.

Save these instructions for future reference. The installer should leave these instructions with the consumer.

If you have any questions regarding the installation, use or operation of this water heater, or if you need any additional installation manuals, please call our technical service line at 800-582-8423 (USA and Canada only). If you are calling from outside the USA or Canada, please call 413-247-3380 and we will refer you to a qualified Stiebel Eltron service representative in your area.

- 1 Do not locate the water heater where water lines could be subject to freezing temperatures.
- 2 It is recommended to have a floor drain nearby to permit easy draining of the unit if necessary.
- 3 Install the water heater so that in the event of a leak, the resulting flow of water will not cause damage to the area around the water heater. Under no condition is the manufacturer liable for any water damage in connection with this water heater.
- 4 When installing the water heater, ensure that clearance around the unit is provided, for ease of maintenance and service.



This is the safety alert symbol.

It is used to alert you to potential personal injury hazard. Obey all safety messages that follow this symbol to avoid possible injury or death.

2. Safety Precautions



PLEASE READ AND FOLLOW THESE INSTRUCTIONS: Failure to follow these instructions could result in serious bodily injury or death.

The unit must be installed by a licensed plumber. The installation must comply with all national, state and local plumbing and electric codes.

Service of the unit must be performed by a qualified service agency.

Before proceeding with any installation, adjustment, alteration, or service of this unit the power cord should be unplugged. Failure to do so could result in serious personal injury or death.

Never remove the unit's cover unless the electricity servicing the unit is turned off. Failure to do so could result in personal injury or death.

Do not store or use gasoline or other flammable vapors or liquids in the vicinity of this or any other appliance.



DANGER:

Water temperatures over 125 °F (52 °C) can cause severe burns instantly or death from scalding. A hot water scalding potential exists if the thermostat on the unit is set too high. Households with small children, disabled or elderly persons may require that the thermostat be set at 120 °F (49 °C) or lower to prevent possible injury from hot water.



WARNING:

This water heater must be installed strictly in accordance with the instructions enclosed and local electric and building codes. It is also possible that connections to the water heater itself may develop leaks. It is therefore imperative that the water heater be installed so that any water is directed to an adequate drain in such a way that water damage to the building, furniture, carpeting or other property cannot occur. Neither the manufacturer nor the distributor can be held responsible for damage caused by water from the water heater, temperature pressure relief valve, or related fittings where adequate provision to drain such water has not been provided.



CAUTION:

Hydrogen gas can be produced in a hot water system served by this heater that has not been used for a long period of time (generally 2 weeks or more). Hydrogen gas is extremely flammable.

To reduce the risk of injury under these conditions, it is recommended that the hot water faucet be opened for several minutes at the kitchen sink before using any electrical appliance connected to the hot water system.

When hydrogen is present, there will probably be an unusual sound such as air escaping through the pipe as the water begins to flow. There should be no smoking or open flame near the faucet at the time it is open. Monthly manual venting of the T&P valve will reduce this effect. See 11.2, "Venting the T&P relief valve", pg. 7.

3. Register your product

**NOTE:**

You must register this product within 90 days of purchase on our web site in order to activate any standard warranty or to be eligible for the extended warranty. Go to our website at: www.stiebel-eltron-usa.com and click on "Register Your Product".

Before beginning the registration process, we suggest that you gather the necessary information as follows:

Model, Example: SHC 2.5 (from the label that is on the top of the unit in the center)

Number listed after "Nr."

Place of Purchase

Purchase Date

First & Last Name

Email address

Physical Address

Phone Number

If you have any questions concerning the registration process or warranty options, please contact Stiebel Eltron USA directly at (800)-582-8423.

4. General Description

These SHC water heaters can be used in most point-of-use applications. They are designed to supply hot water for hand wash and kitchen sinks in a residential, commercial or industrial environment.

These water heaters can replace traditional hot water systems which consist of a central hot water heater with hot water piping going to several draw-off points.

The SHC water heaters are lightweight and compact and manufactured for easy installation. The units are designed to be mounted on the wall. These units are designed to operate under normal street water pressure.

5. Technical Description

The pressure vessel of the water heater is welded glass-lined steel and is equipped with a sacrificial anode rod. The thermal insulation is made of polystyrene.

The water heater is equipped with both a thermostat and a high limit temperature switch. A temperature/pressure relief valve is supplied with the unit.

6. General Recommendations

The installation must be carried out by licensed professionals. All state and local codes must be adhered to.

The manufacturer will not be liable for any damages because of failure to comply with these installation instructions or because of improper installation performed by an unqualified installer.

**NOTE:**

The T&P valve must be manually vented monthly. See 11.2, "Venting the T&P relief valve", pg. 7.

**NOTE:**

Choose a location that allows easy access for maintenance or servicing.

The water heater should be installed with at least 8" (203 mm) of clearance on the top and sides of the unit.

INSTALLATION

7. Mounting the Unit



NOTICE:
Unit must be installed in a vertical position with the water fittings pointing upward.

WARNING:
Do not install unit where it would routinely be splashed with water. Electric shock may result.

CAUTION:
Hot water outlet pipes leaving unit can be hot to the touch. Insulation must be used for hot water pipes below a height of 36" (.91 m) due to burn risk to children.



NOTICE:
This unit should not be installed in a location where it may be exposed to freezing temperatures (less than 36 °F (2 °C)). If the unit may be subject to freezing temperatures, all water must be drained from the unit. Failure to comply with this instruction voids all warranties.

The unit should be located in an area where water leakage from the unit or connections will not result in damage to the area adjacent to the unit. If such a location cannot be avoided it is recommended that a drain pan be installed under the unit.

- 1 Drill two 1/4" holes in the wall where the water heater will be mounted.
- 2 Install plastic wall anchors.
- 3 Fasten wall mounting bracket to the wall.
- 4 Hook water heater to the mounting bracket.
- 5 Pull downwards on the water heater to properly seat it on the bracket.

8. Plumbing Connections



IMPORTANT:
If water pipes are made of copper or bronze, use dielectric connections to prevent heater corrosion. Failure to provide dielectric insulation may result in premature tank or nipple failure and may void your warranty.



IMPORTANT:
In order to avoid water coming in contact with the male pipe threads, ensure that all thread pitches are sealed properly. It is especially important that the first thread pitches be fully sealed to ensure no leakage will occur after the water connections have been securely made. Failure to properly seal pipe thread pitches may allow water to come in contact with the male threads and create corrosion.



NOTICE:
Hard water or water with a high mineral count may damage the unit. Damage to the unit caused by scale or a high mineral count is not covered under the warranty.

CAUTION:
To reduce the risk of excessive temperature and pressure in the water heater, a temperature/pressure (T&P) relief valve has been installed.

CAUTION:
Always fill the unit's tank with water before plugging the water heater's cord into an electrical outlet. Failure to do so will result in permanent damage to the water heater.



NOTICE:
When a water heater is installed in a closed water supply system, such as one having a back-flow preventer in the cold-water supply, means shall be provided to control thermal expansion. Contact the water supplier or local plumbing inspector for information regarding the control of this situation.

Connect the cold water pipe to the cold water connection on the unit (blue). Connect the hot water pipe to the hot water connection on the unit (red).

Ensure that the water heater is installed in a level position.

Install a shut-off on the cold water side of the water heater. This is for emergency shut-off. It must be kept open when the water heater is operating.

When using copper piping, solder a piece of tubing to a threaded fitting (union) before screwing the adapter to the tank.

BRAIDED FLEX HOSE CONNECTORS ARE ALSO RECOMMENDED.

DO NOT APPLY HEAT DIRECTLY TO INLET OR OUTLET CONNECTIONS.

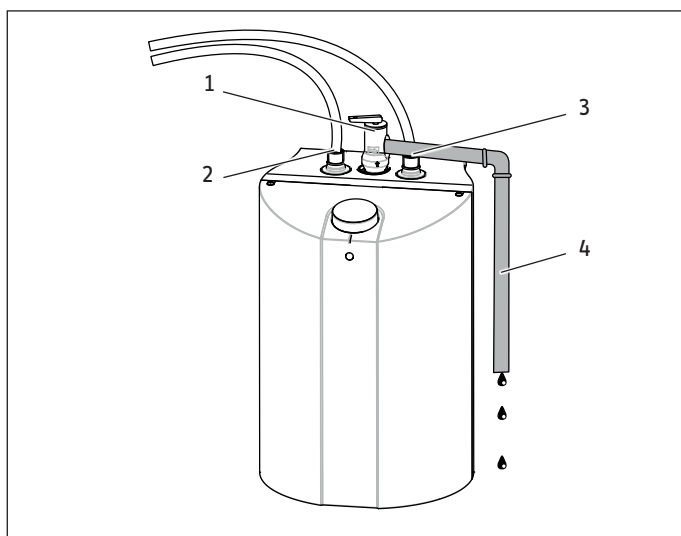
A certified T&P valve is mounted to the water heater by the manufacturer with the outlet oriented to the right. If this position needs to be changed, leakage may occur, especially if it will be screwed counter-clockwise, and the T&P valve may need to be resealed. After all plumbing work has been completed, the T&P valve needs to be checked for proper tightness.

During heating, the water volume and water pressure increases in the tank. It is possible for water to leak from the safety valve, this is normal.

It is recommended to install a check valve on the cold water inlet supply line to the unit so that air pockets can be purged through the T&P valve.

INSTALLATION

ELECTRICAL CONNECTION



- 1 Temperature/Pressure relief valve
- 2 Hot water outlet
- 3 Cold water inlet
- 4 Discharge pipe

Install a discharge pipe from the relief valve terminating at a sink or drain. Orient the tubing so that discharge will exit within 6" (152 mm) above or at any distance below the structural floor, and cannot contact any live electrical parts.

DO NOT CAP OR THREAD THE END OF THE DISCHARGE PIPE, IT MUST BE UNOBSTRUCTED AND FULL SIZE.

The T&P valve is certified by a nationally recognized test laboratory that maintains periodic inspection of the listed equipment, and meets the requirements for relief valves and automatic shut-off devices for hot water supply systems ANSI Z21.22.

The T&P valve is marked with a maximum pressure, which does not exceed the maximum working pressure of the water heater (150 PSI).

THE DISCHARGE PIPE

- Must not be smaller in size than the outlet pipe size of the valve, or have reducing couplings.
- Must not be plugged or blocked.
- Must be of material suitable for hot water.
- Must not be over 15' (4.5 m) in length.
- Must not have more than two elbows.
- Must terminate at an adequate drain.
- Must not have a valve between the relief valve and the tank.

8.1 Filling the Water Heater

To fill the water heater:

- 1 Open the hot water faucet.
- 2 Open the cold water supply valve.
- 3 When water runs out of the faucet, the tank is filled.
- 4 Close the hot water faucet.
- 5 Manually vent the T&P valve. See 11.2, "Venting the T&P relief valve", pg. 7.
- 6 Check entire system for leaks.

9. Electrical Connection



CAUTION: Always fill the unit's tank with water before plugging the water heater's cord into an electrical outlet. Failure to do so will result in permanent damage to the water heater.

NOTICE: The water heater must be connected to a grounded outlet.

This water heater was designed for use at 110 - 120 V. Do not use this water heater with any other voltage. Failure to use the correct voltage may result in personal injury or property damage.

The heater is supplied with an electrical cable with a plug. If the cable is damaged or length not sufficient, it must be replaced by a licensed electrician.

To be certain that all the air is out of the system, open the hot water faucet on your fixtures until constant water flows from them. Otherwise, damage to the device may occur.

Connect the water heater to a GROUNDING OUTLET.

The unit is fitted with a power cord to connect the water heater to a receptacle. State and local codes must be adhered to. Install the correct breaker at the circuit breaker panel.

The water heater was manufactured and wired in accordance with the UL requirements.

A temperature high limit with manual reset has been factory installed to interrupt the power supply in the event of a thermostat failure.

DO NOT use this water heater with any other voltage. Failure to use the correct voltage may result in personal injury or property damage.

10. Settings

The water heater is equipped with an adjustable thermostat that automatically controls the water temperature. The indicator lamp remains lit only when the water is being heated.

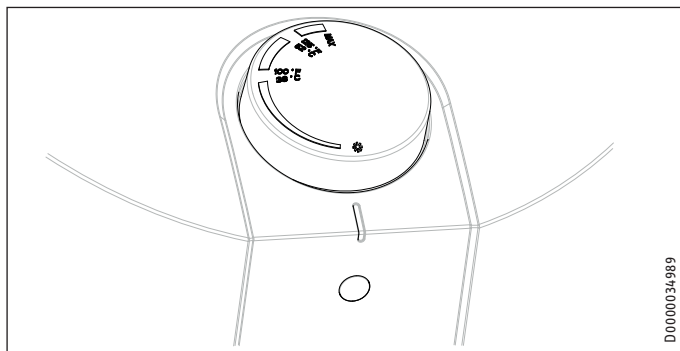
The temperature is adjusted by turning the knob counterclockwise (to the left) to increase the temperature and clockwise (to the right) to decrease the temperature.

The water heater thermostat can be set to guard against freezing. This position keeps the internal temperature above the freezing point.

The piping outside of the water heater and the faucet are not protected against freezing.

INSTALLATION MAINTENANCE INSTRUCTIONS

Freeze protection setting



Temperature setting

The water heater thermostat is factory set at 120 °F (49 °C).

11. Maintenance Instructions



WARNING:
Before servicing or cleaning the water heater, disconnect the water heater from the electrical outlet.

The temperature/pressure relief valve must be manually operated once per month. Caution should be taken to ensure that:

1. No one is near the temperature/pressure relief valve discharge pipe.
2. The water discharged will not cause any bodily injury or property damage. The water may be extremely hot.

Do not attempt to repair the water heater.

Call your licensed plumber or electrician for service. Unplug the unit whenever the water supply is turned off.

Before calling for service, make sure that:

- 1 The heater is properly filled.
- 2 The electrical supply has not been interrupted.

11.1 Descaling the heating element

Approximately every two years, it is advisable to descale the heating element and to check the condition of the magnesium anode, replacing it if the diameter is less than 3/8" (10 mm). See 11.8, "Changing the anode rod", pg. 8.

11.2 Venting the T&P relief valve

It is recommended to install a check valve on the cold water inlet supply line to the unit so that air pockets can be purged through the T&P valve. The temperature/pressure relief valve must be manually operated once per month. Caution should be taken to ensure that:

- 1 No one is near the temperature/pressure relief valve discharge pipe.
- 2 The water discharged will not cause any bodily injury or property damage. The water may be extremely hot.

11.2.1 T&P venting / testing procedure

- 1 Before venting, make sure it is known how to shut off the water supply to the heater. It is not necessary initially, but may become so if the T&P valve does not reseal properly when vented, which may cause water to leak.
- 2 On the top of the T&P valve is a small handle that lifts a pin in the center of the valve. Lift the handle up so the valve opens, then release it so it closes. This will vent the T&P valve and at the same time test if it is functioning correctly.
- 3 If the valve is stuck so that it does not open or does not close it should be replaced immediately.
- 4 The T&P valve may take more than one attempt to reseal correctly. If this is the case, try re-opening the valve and quickly releasing it, allowing it to slap shut. This action does not damage the valve.
- 5 If after repeated attempts the valve does not reseal properly and continues to leak water, it should be replaced. If the valve fails this test it was already malfunctioning and was not offering the protection needed.
- 6 Immediately close the cold water inlet to the heater. Replace the malfunctioning T&P valve with a new one.

Failure to install and maintain a properly functioning and properly listed temperature/pressure relief valve will release the manufacturer and distributor of this water heater from any claim which might result from excessive temperature or pressure. Regular venting/testing may increase the life of the valve.

11.3 Draining the water heater

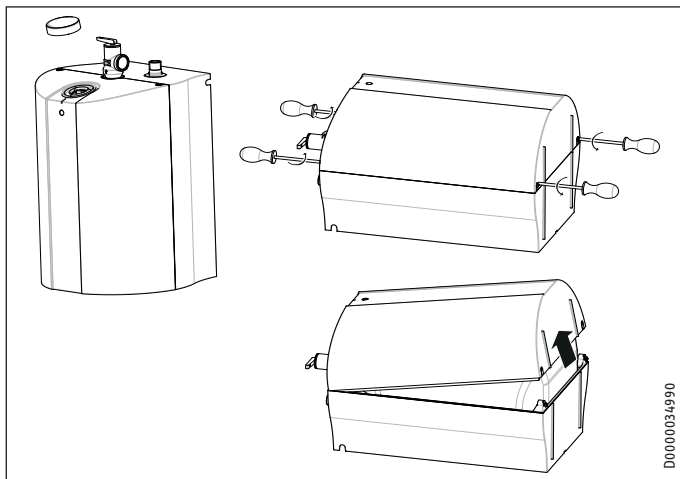
Some service work requires draining the water heater. This should be done in the following manner:

- 1 Unplug the water heater.
- 2 Open the hot water faucet to let the hot water out. Let it continue to flow until cold water runs from the faucet.
- 3 Turn off the cold water supply to the heater.
- 4 Close the hot water faucet
- 5 Disconnect the heater from both the hot and cold water pipes.
- 6 Carefully detach the water heater from the wall.
- 7 Tilt the water heater to drain out the remaining water.

11.4 Removing the cover

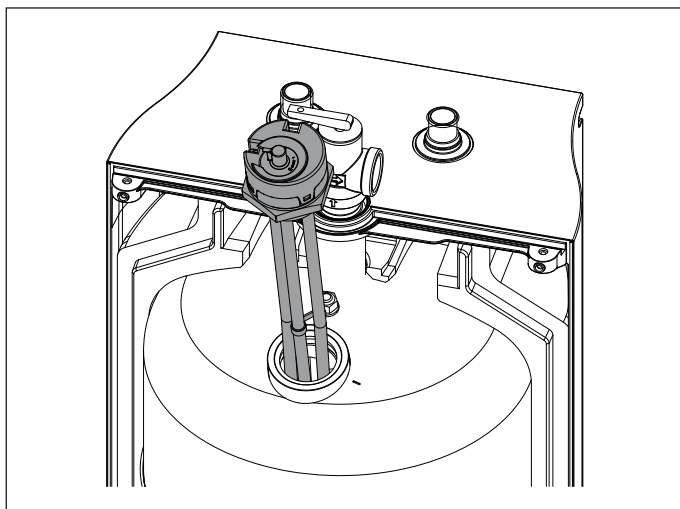
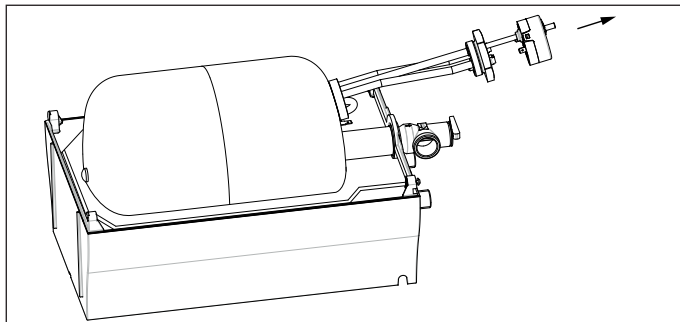
- 1 Remove the temperature control knob from the top of the unit.
- 2 Remove the screws from the cover.
- 3 Remove the cover by tilting the bottom side and lifting off the cover. Cover should come right off.

INSTALLATION MAINTENANCE INSTRUCTIONS



11.5 Removing the heating element

- 1 Unplug and drain the water heater. See 11.3, "Draining the water heater", pg. 7.
- 2 Remove the cover. See 11.4, "Removing the cover", pg. 7.
- 3 Disconnect the line wires from the thermostat.
- 4 Remove the thermostat from the heating element.
- 5 Using a suitable wrench, unscrew the heating element.
- 6 Remove the heating element from the tank.



11.6 De-scaling the heating element

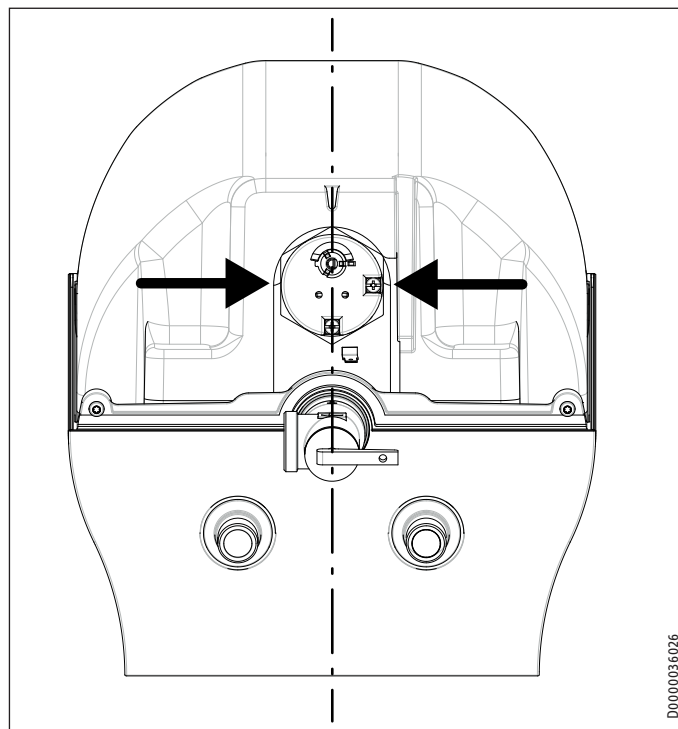
Scale deposit can affect the heating capacity of the heating element. Scale can even cause the element to burn out. The element can be descaled either chemically or manually.

- 1 Remove the heating element. See 11.5, "Removing the heating element", pg. 8.

- 2 To descale chemically, soak the heating element in white vinegar or other descaling solution, then rinse well.
- 3 To descale manually, use a nonmetallic (soft) tool; brush the crust off the element. Make sure you do not damage the surface of the heating element.
- 4 Reinstall the heating element.
- 5 Refill the water heater with water and check for leaks before connecting the power.

11.7 Replacing the heating element

- 1 Unplug and drain the water heater. See 11.3, "Draining the water heater", pg. 7.
- 2 Remove the cover. See 11.4, "Removing the cover", pg. 7.
- 3 Remove the heating element. See 11.5, "Removing the heating element", pg. 8.
- 4 Install and seal the new element. Make sure that the heating element is positioned correctly.



- 5 Remount all the line wires to their original location.
- 6 Refill the water heater with water and check for leaks before connecting the power.

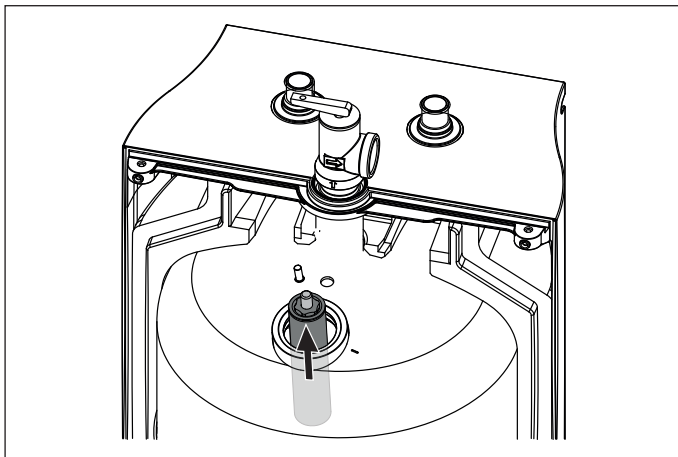
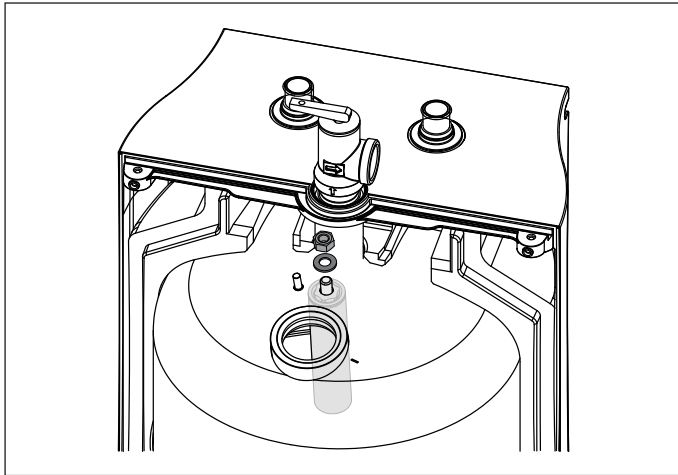
11.8 Changing the anode rod

A magnesium anode is used to extend the life of the tank. Permanent removal of this anode for any reason will void the warranty.

Depending on conditions, the magnesium anode rod may need to be changed approximately every two years. Galvanic and electrolytic corrosion can destroy a tank with a spent anode rod. Rusty water is usually an indicator of a spent anode rod.

- 1 Unplug and drain the water heater. See 11.3, "Draining the water heater", pg. 7.
- 2 Remove the cover. See 11.4, "Removing the cover", pg. 7.
- 3 Remove the heating element. See 11.5, "Removing the heating element", pg. 8.
- 4 Secure the anode using pliers.
- 5 Unscrew the nut and remove the anode rod through the opening of the heating element port.

INSTALLATION TECHNICAL DATA



- 6 Fit a new anode rod including the sealing gasket and supporting washer into the tank opening and secure it with the included washer and nut. Use a tightening torque of 1100 N•cm ±120 N•cm.
- 7 Refit all the wires and the heating element.
- 8 Refill the water heater with water and check for leaks before connecting the power.

11.9 Safety Shut-off

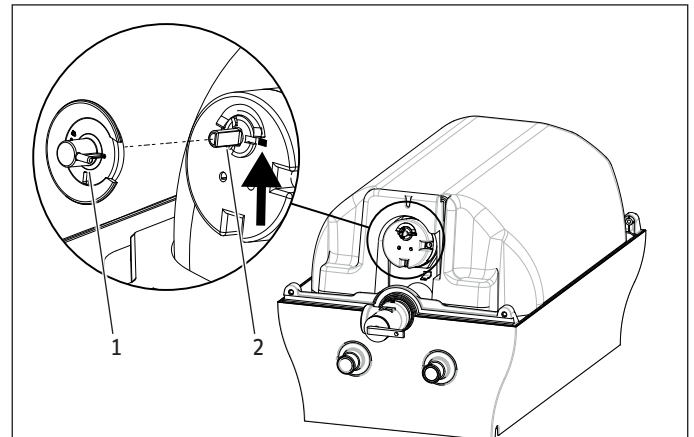


WARNING:
Never lock the sliding reset plunger.

DANGER:
Water temperatures over 125°F (52°C) can cause severe burns instantly or death from scalding. Do not attempt to reset the high limit switch without first cooling down the water inside the water heater.

11.9.1 Resetting high temperature shut-off system

- 1 Unplug the water heater.
- 2 Remove the cover. See 11.4, “Removing the cover”, pg. 7.
- 3 Unplug the adapter (1) from the controller shaft.
- 4 Press in button (2) with an appropriate tool.
- 5 Reassemble the adapter in the correct position.
- 6 Reassemble the cover of the heater and tighten.
- 7 Reassemble the thermostat control knob.



- 1 Adapter
- 2 Button

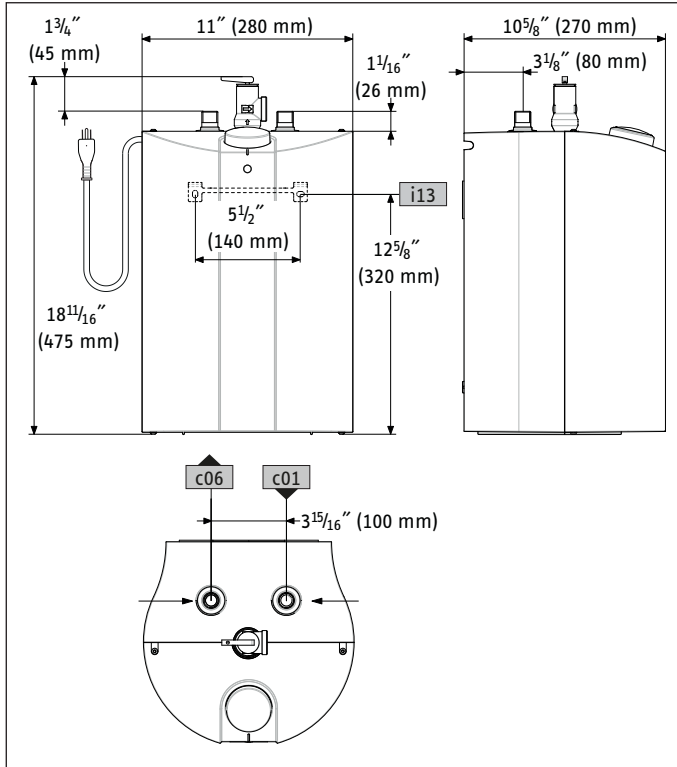
12. Technical Data

	SHC 2.5	SHC 4	SHC 6
Item No.	233219	234046	235089
Voltage	110–120 V		
Wattage	1300 W		
Amperage	11.3 A		
Phase	Single, 1/N/PE		
Frequency	50/60 Hz		
Type of installation	Under sink		
Internal tank material	Steel		
Enclosure material	Plastic		
Thermal insulation material	Polystyrene		
Color	white		
Nominal water volume	2.65 gal / 10 l	4 gal / 15 l	6 gal / 22.7 l
Standby energy loss ¹	0.37 kWh/day	0.39 kWh/day	0.47 kWh/day
Recovery time	18 minutes	27 minutes	45 minutes
Temperature setting range	86–140 °F / 30–60 °C		
Max. operating pressure	150 psi / 1.0 MPa		
Weight empty	15.9 lbs / 7.2 kg	19.8 lbs / 9.0 kg	26.2 lbs / 11.9 kg
Weight full	38.6 lbs / 17.5 kg	52.9 lbs / 24.0 kg	76.3 lbs / 34.6 kg
Water connections	1/2" NPT		

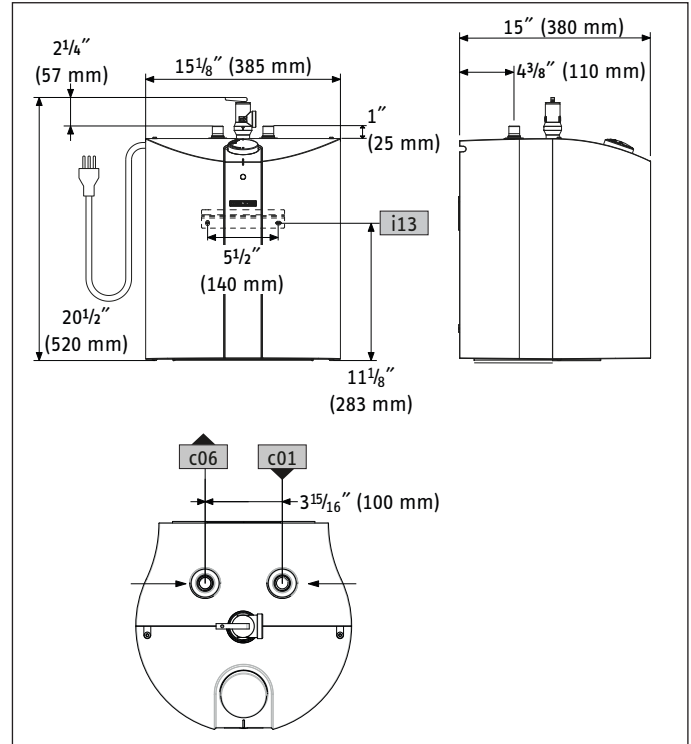
¹ Measured at 131°F / 55°C set point temperature in 68°F / 20°C ambient air temperature.

INSTALLATION TECHNICAL DATA

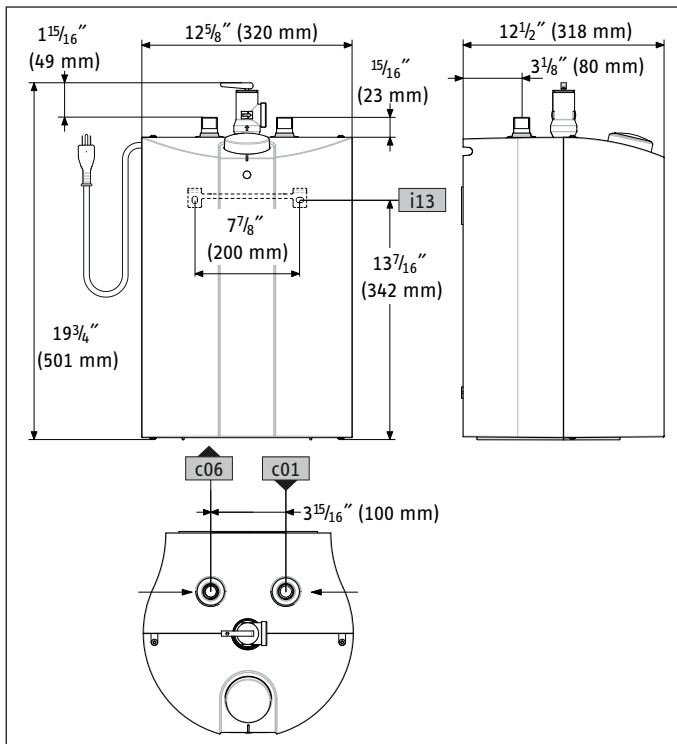
12.1 Dimensions, SHC 2.5



12.3 Dimensions, SHC 6

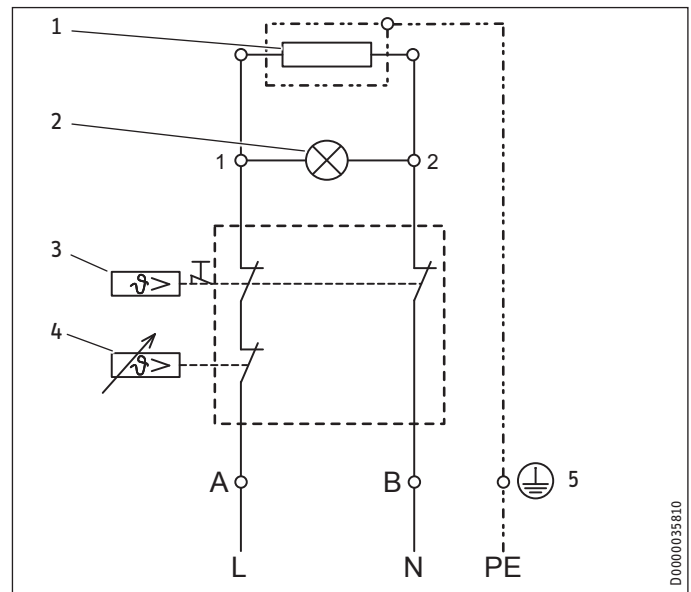


12.2 Dimensions, SHC 4



Label	Description	Connection
c01	Cold water inlet	1/2" NPT male
c06	Hot water outlet	1/2" NPT male
i13	Wall-mounting locations	

12.4 Wiring diagram



- 1 Heating element
- 2 Lamp indicator
- 3 Cut-off
- 4 Thermostat
- 5 Tank

13. Warranty

LIMITED WARRANTY

Subject to the terms and conditions set forth in this limited warranty, Stiebel Eltron, Inc. (the "Manufacturer") hereby warrants to the original purchaser (the "Owner") that each Mini-Tank Domestic Hot Water Heater (the "Heater") shall not (i) leak due to defects in the Manufacturer's materials or workmanship for a period of six (6) years from the date of purchase or (ii) fail due to defects in the Manufacturer's materials or workmanship for a period of two (2) years from the date of purchase. As Owner's sole and exclusive remedy for breach of the above warranty, Manufacturer shall, at the Manufacturer's discretion, send replacement parts for local repair; retrieve the unit for factory repair, or replace the defective Heater with a replacement unit with comparable operating features. Manufacturer's maximum liability under all circumstances shall be limited to the Owner's purchase price for the Heater.

This limited warranty shall be the exclusive warranty made by the Manufacturer and is made in lieu of all other warranties, express or implied, whether written or oral, including, but not limited to warranties of merchantability and fitness for a particular purpose. Manufacturer shall not be liable for incidental, consequential or contingent damages or expenses arising directly or indirectly from any defect in the Heater or the use of the Heater. Manufacturer shall not be liable for any water damage or other damage to property of Owner arising, directly or indirectly, from any defect in the Heater or the use of the Heater. Manufacturer alone is authorized to make all warranties on Manufacturer's behalf and no statement, warranty or guarantee made by any other party shall be binding on Manufacturer.

Manufacturer shall not be liable for any damage whatsoever relating to or caused by:

1. any misuse or neglect of the Heater, any accident to the Heater, any alteration of the Heater, or any other unintended use;
2. acts of God and circumstances over which Manufacturer has no control;
3. installation of the Heater other than as directed by Manufacturer and other than in accordance with applicable building codes;

4. failure to maintain the Heater or to operate the Heater in accordance with the Manufacturer's specifications;
5. operation of the Heater under fluctuating or excessive water pressure or in the event the Heater is supplied with non-potable water, for any duration;
6. improper installation and/or improper materials used by any installer and not relating to defects in parts or workmanship of Manufacturer;
7. moving the Heater from its original place of installation;
8. exposure to freezing conditions;
9. water quality issues such as corrosive water, hard water, and water contaminated with pollutants or additives;
10. not continuously supplying the unit with water aka "dry-firing".

Should Owner wish to return the Heater to manufacturer for repair or replacement under this warranty, Owner must first secure written authorization from Manufacturer. Owner shall demonstrate proof of purchase, including a purchase date, and shall be responsible for all removal and transportation costs. If Owner cannot demonstrate a purchase date this warranty shall be limited to the period beginning from the date of manufacture stamped on the Heater. Manufacturer reserves the right to deny warranty coverage upon Manufacturer's examination of the Heater. This warranty is restricted to the Owner and cannot be assigned.

Some States and Provinces do not allow the exclusion or limitation of certain warranties. In such cases, the limitations set forth herein may not apply to the Owner. In such cases this warranty shall be limited to the shortest period and lowest damage amounts allowed by law. This warranty gives you specific legal rights and you may also have other rights which vary from State to State or Province to Province.

Owner shall be responsible for all labor and other charges incurred in the removal or repair of the Heater in the field. Please also note that the Heater must be installed in such a manner that if any leak does occur, the flow of water from any leak will not damage the area in which it is installed.

This Warranty is valid for U.S.A. & Canada only. Warranties may vary by country. Please consult your local Stiebel Eltron Representative for the Warranty for your country.

OPERACIÓN

1.	Información general	13
2.	Advertencias de seguridad	13
3.	Registre su producto	14
4.	Descripción general	14
5.	Descripción técnica	14
6.	Recomendaciones generales	14

INSTALACIÓN

7.	Cómo montar la unidad	15
8.	Conexiones de plomería	15
8.1	Cómo llenar el calentador de agua	16
9.	Conexión eléctrica	17
10.	Configuraciones	17
11.	Instrucciones de mantenimiento	17
11.1	Eliminar el sarro del elemento calefactor	17
11.2	Ventilación manual de la válvula de descarga de P y T	17
11.3	Cómo vaciar el calentador de agua	18
11.4	Cómo remover la cubierta	18
11.5	Cómo remover el elemento calefactor	18
11.6	Cómo remover el sarro del elemento calefactor	18
11.7	Cómo reemplazar el elemento calefactor	19
11.8	Cómo cambiar el ánodo	19
11.9	Apagado de seguridad	19
12.	Datos técnicos	20
12.1	Dimensiones, SHC 2.5	20
12.2	Dimensiones, SHC 4	20
12.3	Dimensiones, SHC 6	21
12.4	Diagrama eléctrico	21
13.	Garantía Limitada	22

OPERACIÓN

INSTRUCCIONES DE SEGURIDAD IMPORTANTES



ADVERTENCIA:

Al utilizar aparatos eléctricos, para reducir el riesgo de incendio, descarga eléctrica o lesiones a personas, debe respetar las medidas básicas de seguridad, a saber:

- 1 LEA TODAS LAS INSTRUCCIONES ANTES DE UTILIZAR EL CALENTADOR DE AGUA.
- 2 Este calentador de agua debe estar puesto a tierra. Conéctelo únicamente a un tomacorriente que tenga una apropiada puesta a tierra. Vea las las instrucciones especiales de puesta a tierra en el capítulo 9, "Conexión eléctrica", pág. 17.
- 3 Instale o ubique este calentador de agua únicamente de acuerdo con las instrucciones de instalación suministradas.
- 4 Este calentador de agua solamente debe tener el uso previsto que se describe en este manual.
- 5 No utilice un cable alargador para este calentador de agua. Si Ud. no cuenta con ningún receptáculo eléctrico cercano al calentador de agua, contacte a un electricista calificado para instalar un receptáculo correctamente.
- 6 Como con cualquier otro aparato, es necesario supervisar de cerca a los niños si estos utilizan el aparato.
- 7 No haga funcionar este calentador de agua si tiene un cable o enchufe dañado, si no funciona correctamente o si ha sido dañado o se ha caído.
- 8 Solo el personal de servicio técnico calificado debe realizar el mantenimiento de este calentador de agua. Comuníquese con el personal matriculado más cercano para la inspección, reparación o ajuste de la unidad.

CONSERVE ESTAS INSTRUCCIONES

1. Información general

**PRECAUCIÓN:**

Para reducir el riesgo de temperatura y presión excesivas en el calentador de agua, instale el equipo de protección de temperatura y presión exigido por los códigos locales y una válvula de descarga combinada de temperatura y presión certificada por un laboratorio de análisis reconocido a nivel nacional que realice inspecciones periódicas de la producción de los equipos o materiales mencionados y cumpla los requisitos para válvulas de descarga y dispositivos de apagado automático para suministro de agua caliente ANSI Z21.22. Esta válvula tiene una marca de presión máxima, la cual no excede la presión operativa máxima del calentador de agua. Instale la válvula en la abertura suministrada y marcada para este fin en el calentador de agua y oriente la tubería de modo que la descarga de la válvula salga dentro de las 6" por arriba o a cualquier distancia por debajo del suelo estructural. No debe hacer contacto con ninguna parte conectada a la corriente eléctrica. La abertura de descarga no se debe bloquear o reducir en ninguna circunstancia.

Lea este manual completamente. El incumplimiento de todas las guías, instrucciones y normas puede causar lesiones personales o daños materiales. Todo uso, servicio, alteración, ajuste e instalación inapropiados puede provocar graves lesiones o daños.

Esta unidad debe ser instalada por un electricista y plomero matriculado. La instalación debe cumplir con todos los códigos de plomería y electricidad locales, del estado y de la nación. Es responsabilidad del instalador realizar una instalación apropiada. El incumplimiento de las instrucciones de instalación y funcionamiento o el uso inapropiado anulan la garantía.

Conserve estas instrucciones para futuras consultas. El instalador deberá dejarle estas instrucciones al consumidor.

Si tiene preguntas acerca de la instalación, el uso o el funcionamiento de este calentador de agua, o si necesita manuales adicionales de instalación, comuníquese con nuestra línea de servicio técnico: 800-582-8423 (solo para EE. UU. y Canadá). Si Ud. se comunica desde el exterior de los EE. UU. o de Canadá, marque USA 413-247-3380. Lo pondremos en contacto con un representante de servicio técnico calificado de Stiebel Eltron en su zona.

- 1 No ubique el calentador de agua en lugares donde las tuberías de agua puedan estar sujetas a temperaturas muy bajas.
- 2 Se recomienda contar con una rejilla de desagüe cerca de la unidad para que la unidad desagüe fácilmente si es necesario.
- 3 En la instalación del calentador de agua, debe asegurarse de que, en caso de pérdida de agua, el agua que se pierda no provoque daños en el área que rodea al calentador de agua. Bajo ninguna condición el fabricante se responsabilizará por los daños causados por el agua en relación con este calentador de agua.
- 4 Cuando instale el calentador de agua, debe asegurarse de que haya suficiente espacio libre alrededor de la unidad para facilitar su mantenimiento y servicio.



Este es el símbolo de alerta de seguridad. Se utiliza para avisar sobre peligros potenciales de lesiones personales. Respete todos los mensajes de seguridad con este símbolo para evitar una posible lesión o muerte.

2. Advertencias de seguridad

**LEA Y SIGA ESTAS INSTRUCCIONES:**

El incumplimiento de estas instrucciones puede causar lesiones físicas graves o la muerte.

La unidad debe ser instalada por un plomero matriculado. La instalación debe cumplir con todos los códigos de plomería y electricidad locales, del estado y de la nación.

El mantenimiento o reparación de la unidad debe ser realizado por una agencia de servicio calificado.

Antes de realizar la instalación, el ajuste, la alteración o el servicio técnico de esta unidad, es necesario desenchufar el cable de electricidad. No hacerlo puede provocar lesiones personales graves o la muerte.

Nunca quite la cubierta de la unidad, a menos que la electricidad que alimenta la unidad esté cortada. No hacerlo puede provocar lesiones personales o la muerte.

No almacene ni use gasolina ni ningún otro vapor o líquido inflamable cerca de este o de otro aparato.

**PELIGRO:**

Las temperaturas de agua superiores a los 125 °F (52 °C) pueden causar quemaduras graves de manera instantánea o la muerte por quemaduras. Hay un riesgo potencial de quemaduras con agua caliente si el termostato de la unidad está configurado demasiado elevado. En los hogares donde hay niños pequeños, personas discapacitadas o personas mayores, probablemente se requiera que el termostato se configure a 120 °F (49 °C) o a una temperatura menor para evitar posibles lesiones por agua caliente.

**ADVERTENCIA:**

Este calentador de agua debe ser instalado estrictamente según las instrucciones adjuntas y los códigos de electricidad y edificación locales. Además, es posible que las conexiones con el calentador de agua provoquen pérdidas de agua. Por lo tanto, es necesario que la instalación del calentador de agua permita que el agua que caiga se dirija a una rejilla de desagüe apropiada, de modo que el agua no produzca daños al edificio, los muebles, las alfombras o cualquier otra pertenencia. Ni el fabricante ni el distribuidor se responsabilizarán por los daños causados por el agua que sale del calentador de agua, la válvula de descarga de presión de la temperatura o los elementos relacionados si no se ha provisto un desagüe apropiado para el agua.



PRECAUCIÓN:

El gas hidrógeno puede producirse en un sistema de agua caliente proporcionado por este calentador si este calentador no se ha utilizado por un largo período de tiempo (en general, 2 semanas o más). El hidrógeno es un gas extremadamente inflamable. Para evitar el riesgo de lesiones en estas condiciones, se recomienda abrir la llave de agua caliente de la piletta de la cocina durante varios minutos antes de utilizar cualquier aparato eléctrico conectado al sistema de agua caliente. Cuando hay hidrógeno presente, probablemente habrá un sonido inusual, como el aire que escapa por la tubería cuando el agua comienza a correr. No se debe fumar ni dejar ninguna hornalla prendida cerca de la piletta cuando la llave de agua esté abierta. Ventilación manual mensual de la válvula de descarga de P y T reducirá este efecto. Vea 11.2, "Ventilación manual de la válvula de descarga de P y T", pág. 17.

3. Registre su producto



NOTA:

Debe registrar este producto en un plazo de 90 días desde la compra a través de nuestra página web para activar cualquier garantía estándar o para optar a la ampliación de la garantía. Visite nuestra página web www.stiebel-eltron-usa.com y haga clic en "Registre su producto".

Antes de comenzar el proceso de registro, le sugerimos que recopile la siguiente información que necesitará:

Modelo; ejemplo: SHC 2.5 (tomado de la etiqueta situada en la parte superior de la unidad, en el centro)

Número que se indica después de "Nr."

Lugar de compra

Fecha de compra

Nombre y apellido

Dirección de email

Dirección postal

Número de teléfono

Si tiene alguna pregunta en relación con el proceso de registro o con las opciones de garantía, por favor, póngase en contacto directamente con Stiebel Eltron USA en el número de teléfono (800)-582-8423.

4. Descripción general

Estos calentadores de agua SHC pueden utilizarse en la mayoría de las aplicaciones en el punto de uso. Están diseñados para proporcionar agua caliente para el lavado de manos y para las piletas de cocina en el ámbito hogareño, comercial o industrial.

Estos calentadores de agua pueden reemplazar a los sistemas tradicionales de agua caliente que consisten en un calentador central de agua con una tubería de agua caliente dirigida a varios puntos de drenaje.

Los calentadores de agua SHC son livianos y compactos, y están fabricados de modo que la instalación resulte sencilla. Las unidades están diseñadas para montarse sobre una pared. Estas unidades están diseñadas para funcionar de acuerdo con la presión normal del agua de la calle.

5. Descripción técnica

La válvula de presión del calentador de agua es de acero esmaltado y soldado y está equipada con un ánodo sacrificial en forma de rodillo. La aislación térmica es de poliestireno.

El calentador de agua está equipado con un termostato y un interruptor de límite alto de temperatura. La unidad viene provista con una válvula de descarga de temperatura/presión.

6. Recomendaciones generales

La instalación debe ser realizada por profesionales matriculados. Todos los códigos locales y del estado deben ser respetados.

El fabricante no se responsabilizará por los daños causados por el incumplimiento de estas instrucciones de instalación o por una instalación incorrecta realizada por un instalador no calificado.



NOTA:

La válvula de descarga de temperatura/presión debe ser operada manualmente por una vez al mes. Vea 11.2, "Ventilación manual de la válvula de descarga de P y T", pág. 17.



NOTA:

Elija una ubicación que permita un fácil acceso para el mantenimiento o reparación. El calentador de agua deberá ser instalado a 8" (203 mm) como mínimo del techo o de las paredes adyacentes.

INSTALACIÓN

7. Cómo montar la unidad



AVISO:

La unidad debe ser instalada en posición vertical. Los empalmes para la conducción del agua deben apuntar hacia arriba.

Advertencia:

No instale la unidad en un lugar donde reciba salpicaduras de agua a menudo, ya que eso podría causar una descarga eléctrica.

Precaución:

Los tubos de agua caliente que salen de la unidad pueden estar calientes al tacto. Se debe usar la aislación para tuberías de agua caliente por debajo de 36" (.91 m) para evitar riesgos de quemaduras en niños.



AVISO:

esta unidad no debe ser instalada en un lugar donde pueda estar expuesta a temperaturas muy bajas (menores a 36 °F (2 °C)). Si la unidad pudiera estar expuesta a temperaturas muy bajas, se debe vaciar todo el agua de la unidad. El incumplimiento de esta instrucción anula todas las garantías.

La unidad debe ser ubicada en un lugar donde la pérdida de agua de la unidad o de las conexiones no cause daños al área adyacente a la unidad. Si no es posible contar con un lugar así, se recomienda instalar una bandeja de drenaje debajo de la unidad.

- 1 Realice dos orificios de 1/4" en la pared donde el calentador de agua será montado.
- 2 Inserte anclajes plásticos de pared.
- 3 Sujete el soporte de montaje a la pared.
- 4 Enganche el calentador de agua al soporte de montaje.
- 5 Jale el calentador de agua hacia abajo para asentarlo correctamente sobre el soporte.

8. Conexiones de plomería



IMPORTANTE:

Si las tuberías de agua son de cobre o bronce, utilice conexiones dieléctricas para evitar la corrosión del calentador. La falta de aislación dieléctrica puede causar fallas tempranas en el tanque o en los nipples y puede anular su garantía.



IMPORTANTE:

Si las tuberías de agua son de cobre o bronce, utilice conexiones dieléctricas para evitar la corrosión del calentador. La falta de aislación dieléctrica puede causar fallas tempranas en el tanque o en los nipples y puede anular su garantía.



IMPORTANTE:

Con el fin de evitar que el agua entre en contacto con las roscas macho, asegúrese de que todos los pasos de rosca están sellados correctamente. Es especialmente importante que los primeros pasos de rosca ser completamente sellados para asegurar que no haya fugas se producirá después de que las conexiones de agua se han hecho de forma segura. El no sellar adecuadamente pasos de rosca de tubería puede permitir que el agua entre en contacto con las roscas macho y crear la corrosión.



AVISO:

Las aguas duras o con alto contenido de minerales pueden dañar la unidad. Los daños a la unidad causados por el sarro o el alto contenido de minerales no están cubiertos por la garantía.

PRECAUCIÓN:

Para reducir el riesgo de temperatura y presión excesivas en el calentador de agua, se ha instalado una válvula de descarga combinada de temperatura/presión (P y T).

PRECAUCIÓN:

Siempre llene el tanque de la unidad con agua antes de conectar el cable del calentador de agua en una toma eléctrica. El no hacerlo puede causar daños permanentes en el calentador de agua.



AVISO:

Cuando se instala un calentador de agua en un sistema cerrado de suministro de agua, como un sistema con supresor de reflujo en el suministro de agua fría, se debe procurar un medio para controlar la expansión térmica. Contacte al proveedor de agua o a un inspector de plomería local para recibir información sobre el control de esta situación.

Conecte la tubería de agua fría a la conexión de agua fría de la unidad (azul). Conecte la tubería de agua caliente a la conexión de agua caliente de la unidad (roja).

Asegúrese de que el calentador de agua esté instalado en posición horizontal.

Instale una válvula de cierre en el lado del agua fría del calentador de agua. Esto es para un cierre de emergencia. Debe quedar abierta cuando el calentador de agua está en funcionamiento.

INSTALACIÓN

CONEXIONES DE PLOMERÍA

Si se utiliza una tubería de cobre, se deberá soldar un trozo de tubo a un empalme de rosca (unión) antes de atornillar el adaptador al tanque.

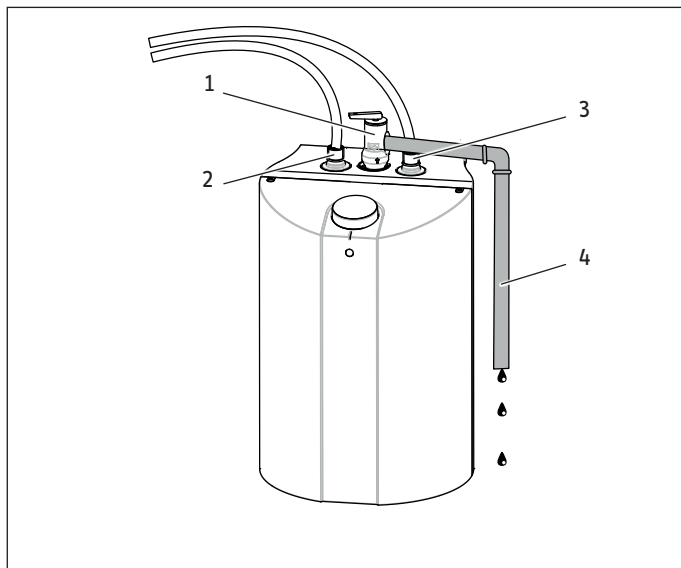
TAMBIÉN SE RECOMIENDAN LAS TUBERÍAS TRENZADAS FLEXIBLES.

NO APLIQUE CALOR DIRECTO SOBRE LAS CONEXIONES DE ENTRADA O SALIDA.

El fabricante montó una válvula certificada de P y T al calentador de agua con la salida orientada a la derecha. Si esa posición necesita cambiarse pueden producirse pérdidas, especialmente si se enrosca en sentido antihorario, y la válvula de P y T debe volver a sellarse. Después de todo el trabajo de plomería se ha completado, la válvula P y T se debe comprobar la estanqueidad adecuada.

Durante el proceso de calentamiento del agua, el volumen y la presión del agua aumentan en el tanque. Es posible que salga agua de la válvula de seguridad; es algo normal.

Se recomienda instalar una válvula de retención en la línea de alimentación de entrada de agua fría a la unidad, por lo que las bolsas de aire puede ser purgado a través de la válvula de T & P.



- 1 Válvula de descarga de presión/temperatura
- 2 Salida de agua caliente
- 3 Entrada de agua fría
- 4 Tubería de descarga

Instale un tubo de descarga desde la válvula de escape que termine en un fregadero o un drenaje. Oriente el tubo de manera que la descarga salga dentro de las 6" (152 mm) por encima o a cualquier distancia por debajo del piso estructural y no pueda entrar en contacto con piezas que contengan electricidad.

NO TAPE NI MODIFIQUE EL EXTREMO DE LA TUBERÍA DE DESCARGA; DEBE ESTAR LIBRE DE OBSTRUCCIONES Y EN SU TAMAÑO COMPLETO.

La válvula de P y T está certificada por un laboratorio de análisis reconocido a nivel nacional. Este laboratorio realiza inspecciones periódicas del equipo mencionado y cumple con los requisitos necesarios para las válvulas de descarga y los dispositivos de apagado automático para sistemas de suministro de agua caliente ANSI 121.22-1979.

La válvula de P y T tiene una marca de presión máxima, la cual no excede la presión operativa máxima del calentador de agua (150 PSI).

LA TUBERÍA DE DESCARGA

- No debe tener un tamaño menor que el de la tubería de salida de la válvula ni tener acoplamientos reducidos.
- No debe ser conectada a la corriente eléctrica ni ser bloqueada.
- Debe ser hecha de un material adecuado para el agua caliente.
- No debe medir más de 15' (4.5 m) de longitud.
- No debe tener más de dos empalmes.
- Debe finalizar en un desagüe apropiado.
- No debe tener una válvula entre la válvula de descarga y el tanque.

8.1 Cómo llenar el calentador de agua

Para llenar el calentador de agua:

- 1 Abra la llave de agua caliente.
- 2 Abra la válvula de suministro de agua fría.
- 3 Cuando el agua termine de salir por la llave de agua, el tanque estará lleno.
- 4 Cierre la llave de agua caliente.
- 5 La válvula de descarga de temperatura/presión debe ser operada manualmente. Vea 11.2, "Ventilación manual de la válvula de descarga de P y T", pág. 17.
- 6 Revise todo el sistema para buscar pérdidas.

9. Conexión eléctrica

**PRECAUCIÓN:**

Nunca enchufe el cable del calentador de agua a un tomacorriente, a menos que el calentador esté lleno de agua. De lo contrario, la unidad sufrirá daños sin posibilidad de reparación.

AVISO:

El calentador de agua debe conectarse a un tomacorriente puesto a tierra.

Este calentador de agua fue diseñado para ser utilizado a 110 - 120 V. No utilice este calentador de agua con otro voltaje. El uso de voltaje incorrecto puede causar lesiones personales o daños materiales.

El calentador viene provisto con un cable eléctrico y un enchufe. Si el cable está dañado o su longitud no es suficiente, deberá ser reemplazado por un electricista matriculado.

Para asegurarse de que no haya aire en el sistema, abra la llave de agua caliente de sus instalaciones hasta que el agua salga de manera constante de ellas. De lo contrario, se podrá dañar algún elemento.

Conecte el calentador a un tomacorriente puesto a tierra.

La unidad viene equipada con un cable de electricidad para conectar el calentador de agua a un receptáculo. Todos los códigos locales y del estado deben ser respetados. Instale el interruptor eléctrico correcto en el panel del interruptor de circuito.

La fabricación y la instalación de los cables del calentador de agua cumplen con los requisitos de UL.

Un límite de temperatura alta con reconfiguración manual viene instalado de fábrica para interrumpir el suministro de electricidad en caso de una falla en el termostato.

NO utilice este calentador de agua con otro voltaje. El uso de voltaje incorrecto puede causar lesiones personales o daños materiales.

10. Configuraciones

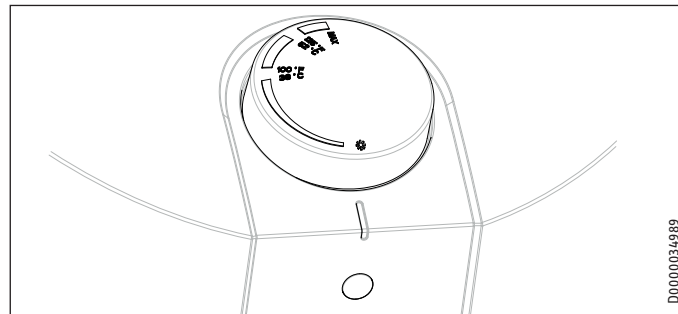
El calentador de agua está equipado con un termostato ajustable que controla la temperatura del agua automáticamente. La lámpara indicadora se mantiene encendida solamente cuando el agua se está calentando.

Para ajustar la temperatura, Ud. debe hacer girar la perilla en el sentido contrario a las manecillas del reloj (hacia la izquierda) para aumentar la temperatura y en el mismo sentido de las manecillas del reloj (hacia la derecha) para reducir la temperatura.

El termostato del calentador de agua puede configurarse para ser protegido de las temperaturas muy bajas. Esta posición mantiene la temperatura interna por encima del punto de congelación.

La tubería exterior del calentador de agua y el grifo no están protegidos contra la congelación.

Configuración de la protección contra la congelación



D0000034989

ESPAÑOL

11. Instrucciones de mantenimiento

**ADVERTENCIA:**

Antes de realizar el mantenimiento, la reparación o la limpieza del calentador de agua, desconecte el calentador de agua del tomacorriente.

La válvula de descarga de temperatura/presión debe ser operada manualmente por una vez al mes. Se deben tomar precauciones para asegurarse de lo siguiente:

1. Nadie debe estar cerca de la tubería de descarga de la válvula de descarga de temperatura/presión.
2. Se debe evitar que el agua descargada cause lesiones físicas o daños materiales. El agua puede ser extremadamente caliente.

No intente reparar el calentador de agua.

Contáctese con su plomero o electricista para que haga el servicio técnico. Desenchufe la unidad cuando el suministro de agua esté apagado.

Antes de pedir el servicio técnico, asegúrese de lo siguiente:

1. El calentador de agua debe ser llenado apropiadamente.
2. La conexión eléctrica no debe interrumpirse.

11.1 Eliminar el sarro del elemento calefactor

Aproximadamente cada dos años, se recomienda eliminar el sarro del elemento calefactor y revisar el estado del ánodo de magnesio. Este ánodo deberá reemplazarse si el diámetro es menor de 3/8" (10 mm). Vea 11.8, "Cómo cambiar el ánodo", pág. 19.

11.2 Ventilación manual de la válvula de descarga de P y T

Se recomienda instalar una válvula de retención en la línea de alimentación de entrada de agua fría a la unidad, por lo que las bolsas de aire puede ser purgado a través de la válvula de T & P.

La válvula de descarga de temperatura/presión debe ser operada manualmente por una vez al mes. Se deben tomar precauciones para asegurarse de lo siguiente:

1. Nadie debe estar cerca de la tubería de descarga de la válvula de descarga de temperatura/presión.
2. Se debe evitar que el agua descargada cause lesiones físicas o daños materiales. El agua puede ser extremadamente caliente.

INSTALACIÓN

INSTRUCCIONES DE MANTENIMIENTO

11.2.1 Procedimiento de ventilación y prueba

- 1 Antes de ventilación, asegúrese de que se conoce la forma de cortar el suministro de agua al calentador. No es necesario inicialmente, pero puede llegar a ser de modo que si la válvula P y T no vuelva a asentarse correctamente cuando ventilado, lo que puede causar que el agua se escape.
- 2 En la parte superior de la válvula P y T es una pequeña manija que levanta un pasador en el centro de la válvula. Levante el asa hasta que la válvula se abra, luego soltarlo por lo que se cierra. Esto ventilará la válvula P y T y al mismo tiempo de prueba si está funcionando correctamente.
- 3 Si se atasca la válvula de modo que no se abre o no se cierra debe ser sustituido inmediatamente.
- 4 La válvula P y T puede tomar más de un intento para volver a colocar correctamente. Si este es el caso, intente volver a abrir la válvula y rápidamente soltarlo, lo que le da una palmada a cerrar. Esta acción no daña la válvula.
- 5 Si después de repetidos intentos de la válvula no se vuelva a colocar correctamente y sigue fugas de agua, se debe reemplazar. Si la válvula no pasa esta prueba ya era defectuosa y que no ofrecía la protección necesaria.
- 6 Tapar inmediatamente la entrada de agua fría al calentador. Vuelva a colocar la válvula P y T funciona correctamente por una nueva.

Después de operar la válvula manualmente, si esta no se reconfigura por completo y continúa despidiendo agua, cierre inmediatamente la entrada de agua fría que va al calentador. Reemplace la válvula de temperatura/presión por una nueva.

Si la válvula de descarga de temperatura/presión no es instalada ni mantenida en correcto funcionamiento, ni con la configuración apropiada, se deslindará de toda responsabilidad al fabricante y al distribuidor ante cualquier demanda o reclamo por temperatura o presión excesivas.

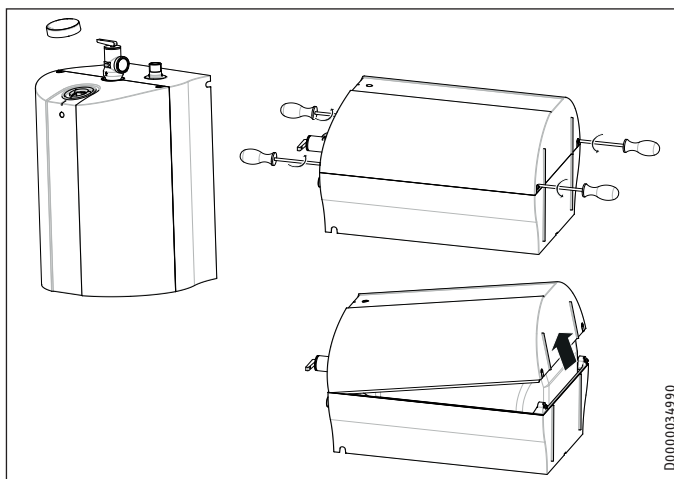
11.3 Cómo vaciar el calentador de agua

Algunas tareas de mantenimiento o reparación requieren vaciar el calentador de agua. Esto debe realizarse de la siguiente manera:

- 1 Desconecte el calentador de agua.
- 2 Abra la llave de agua caliente para dejar salir el agua caliente. Deje correr el agua hasta que salga agua fría de la llave.
- 3 Apague el suministro de agua fría que va al calentador.
- 4 Cierre la llave de agua caliente.
- 5 Desconecte el calentador de las tuberías de agua fría y agua caliente.
- 6 Separe con cuidado el calentador de agua de la pared.
- 7 Incline el calentador de agua para vaciar totalmente el agua restante.

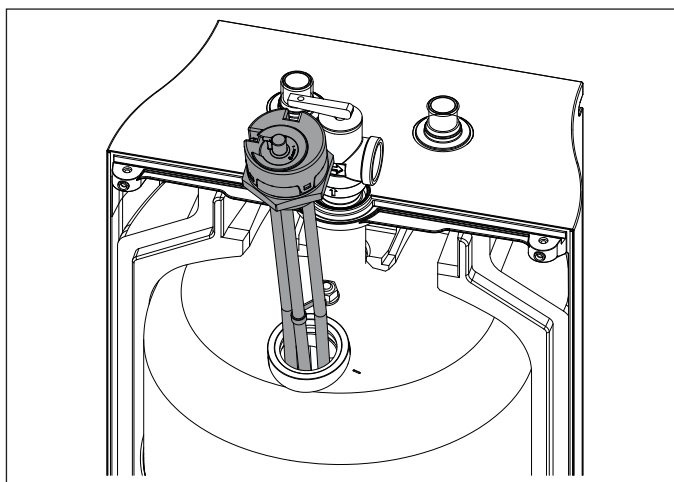
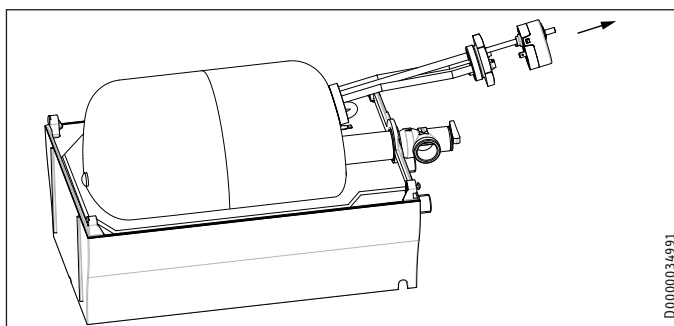
11.4 Cómo remover la cubierta

- 1 Remueva la perilla de control de temperatura del frente de la unidad.
- 2 Remueva los tornillos de la cubierta.
- 3 Para remover la cubierta, levante la parte de atrás y jale hacia adelante. La cubierta debería salir de inmediato.



11.5 Cómo remover el elemento calefactor

- 1 Desenchufe y vacíe el calentador de agua. Vea 11.3, "Cómo vaciar el calentador de agua", pág. 18.
- 2 Remueva la cubierta. Vea 11.4, "Cómo remover la cubierta", pág. 18.
- 3 Desconecte los cables de la línea desde el termostato.
- 4 Remueva la parte superior de la tubería del elemento calefactor.
- 5 Con una llave apropiada, desatornille el elemento calefactor.
- 6 Remueva el elemento calefactor del tanque.



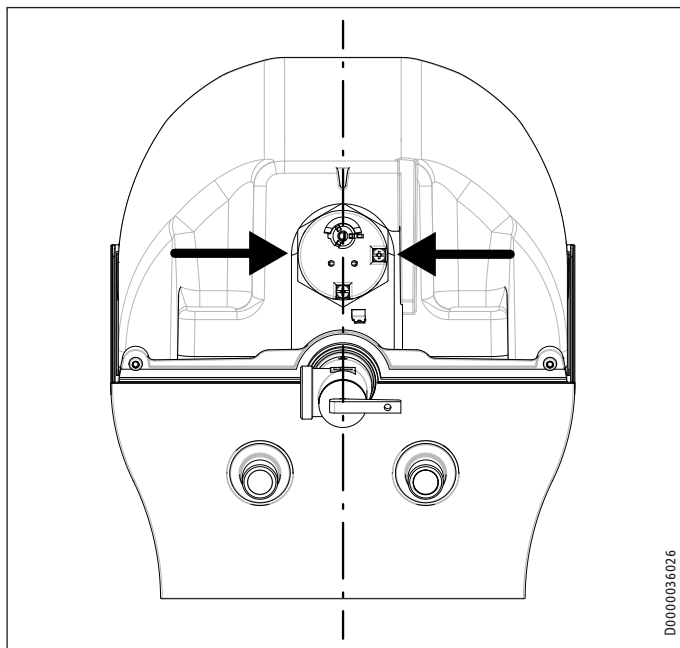
11.6 Cómo remover el sarro del elemento calefactor

Los depósitos de sarro pueden afectar la capacidad calefactora del elemento calefactor. El sarro también puede hacer que el elemento calefactor se consuma. A este elemento se le puede remover el sarro químicamente o manualmente.

- 1 Remueva el elemento calefactor. Vea 11.5, "Cómo remover el elemento calefactor", pág. 18.
- 2 Para remover el sarro químicamente, remoje el elemento calefactor en vinagre blanco o en cualquier otra solución para remover el sarro. Luego, enjuague bien.
- 3 Para remover el sarro manualmente, utilice un instrumento no metálico (blando); quite la capa de sarro del elemento con un cepillo. Asegúrese de no dañar la superficie del elemento calefactor.
- 4 Vuelva a instalar el elemento calefactor.
- 5 Vuelva a llenar el tanque antes de encender el calentador de agua.

11.7 Cómo reemplazar el elemento calefactor

- 1 Desenchufe y vacíe el calentador de agua. Vea 11.3, "Cómo vaciar el calentador de agua", pág. 18.
- 2 Remueva la cubierta. Vea 11.4, "Cómo remover la cubierta", pág. 18.
- 3 Remueva el elemento calefactor. Vea 11.5, "Cómo remover el elemento calefactor", pág. 18.



- 4 Instale y selle el elemento nuevo. Asegúrese de que el elemento calefactor esté ubicado correctamente.
- 5 Vuelva a montar todos los cables en su posición original.
- 6 Vuelva a llenar con agua el calentador de agua y verifique que no haya pérdidas de agua antes de encenderlo.

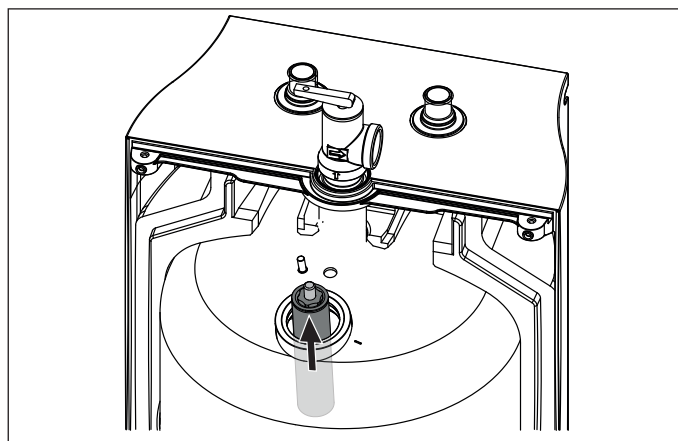
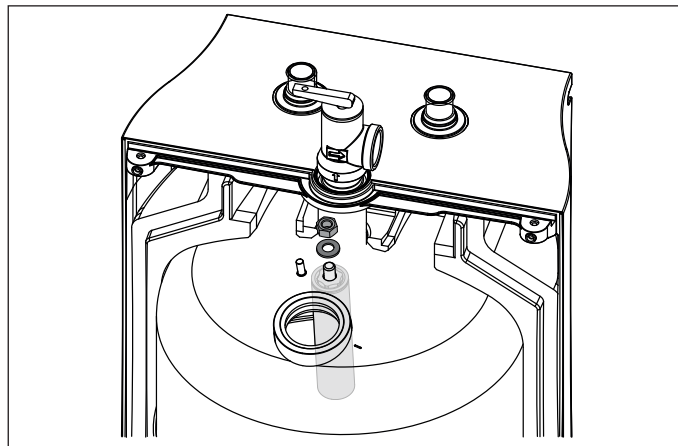
11.8 Cómo cambiar el ánodo

El ánodo de magnesio se utiliza para extender la vida útil del tanque. Si se remueve este ánodo de manera permanente por cualquier motivo, la garantía quedará nula.

Según las condiciones, el ánodo de magnesio tal vez necesite ser cambiado cada año o período aproximado. La corrosión galvánica o electrolítica puede destruir un tanque que tenga un ánodo gastado. Generalmente, el agua oxidada es señal de un ánodo gastado.

- 1 Desenchufe y vacíe el calentador de agua. Vea 11.3, "Cómo vaciar el calentador de agua", pág. 18.
- 2 Remueva la cubierta. Vea 11.4, "Cómo remover la cubierta", pág. 18.

- 3 Remueva el elemento calefactor. Vea 11.5, "Cómo remover el elemento calefactor", pág. 18.
- 4 Asegure el ánodo con unos alicates.
- 5 Desenrosque la tuerca y quite la barra del ánodo a través de la apertura del puerto de la resistencia eléctrica.



- 6 Introduzca un nuevo ánodo incluyendo la junta de aislamiento dentro de la apertura del tanque y fíjalo con la arandela y tuerca incluidas. Aplicar esfuerzo de apriete de $1100 \text{ N}\cdot\text{cm} \pm 120 \text{ N}\cdot\text{cm}$.
- 7 Vuelva a colocar todos los cables y el elemento calefactor.
- 8 Vuelva a llenar con agua el calentador de agua y verifique que no haya pérdidas de agua antes de encenderlo.

11.9 Apagado de seguridad



ADVERTENCIA:

Nunca bloquee el émbolo de configuración deslizante.

PELIGRO:

Las temperaturas de agua superiores a los $125 \text{ }^\circ\text{F}$ ($52 \text{ }^\circ\text{C}$) pueden provocar graves quemaduras instantáneas o la muerte por quemaduras. No intente reconfigurar el interruptor de límite alto sin haber enfriado primero el agua que está en el calentador de agua.

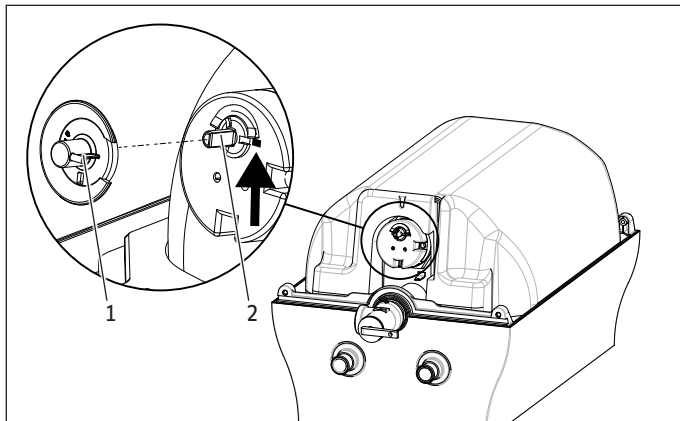
11.9.1 Cómo reconfigurar el sistema de apagado de alta temperatura

- 1 Desenchufe el calentador de agua.
- 2 Remueva la cubierta. Vea 11.4, "Cómo remover la cubierta", pág. 18.

INSTALACIÓN

DATOS TÉCNICOS

- 3 Remueva el adaptador del rodillo (1) del controlador.
- 4 Presione el botón (2) con una herramienta apropiada.
- 5 Reemplace el adaptador en la posición correcta.
- 6 Reemplace la cubierta del calentador y fíjela bien.
- 7 Reemplace la perilla de control del termostato.



- 1 Adaptador
- 2 Botón

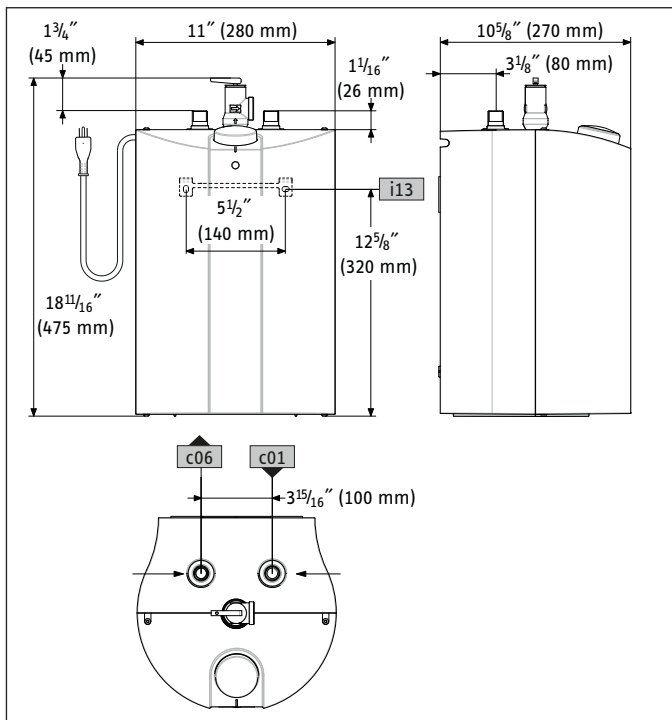
12. Datos técnicos

	SHC 2.5	SHC 4	SHC 6
Núm. de artículo	233219	234046	235089
Voltaje	110-120 V		
Vatíaaje, máx.	1300 W		
Amperaje, máx.	11.3 A		
Fase	Single, 1/N/PE		
Frecuencia	50/60 Hz		
Tipo de instalación	Bajo la pileta		
Material del tanque interno	Acero		
Material del recubrimiento externo	Plástico		
Material de la aislación térmica	Poliestireno		
Color	blanco		
Volumen nominal de agua	2.65 gal / 10 l	4 gal / 15 l	6 gal / 22.7 l
Pérdida de energía en modo espera ¹	0.37 kWh/day	0.39 kWh/day	0.43 kWh/day ²
Tiempo de recuperación	18 minutos	27 minutos	45 minutos
Rango de configuración de la temperatura	86-140 °F / 30-60 °C		
Presión máxima de funcionamiento	150 psi / 1.0 MPa		
Peso en vacío	15.9 lbs / 7.2 kg	19.8 lbs / 9.0 kg	26.5 lbs / 12.0 kg ²
Peso en lleno	38.6 lbs / 17.5 kg	52.9 lbs / 24.0 kg	76.9 lbs / 34.9 kg ²
Conexiones de agua	1/2" NPT (estándar para tuberías que rige en los EE. UU.)		

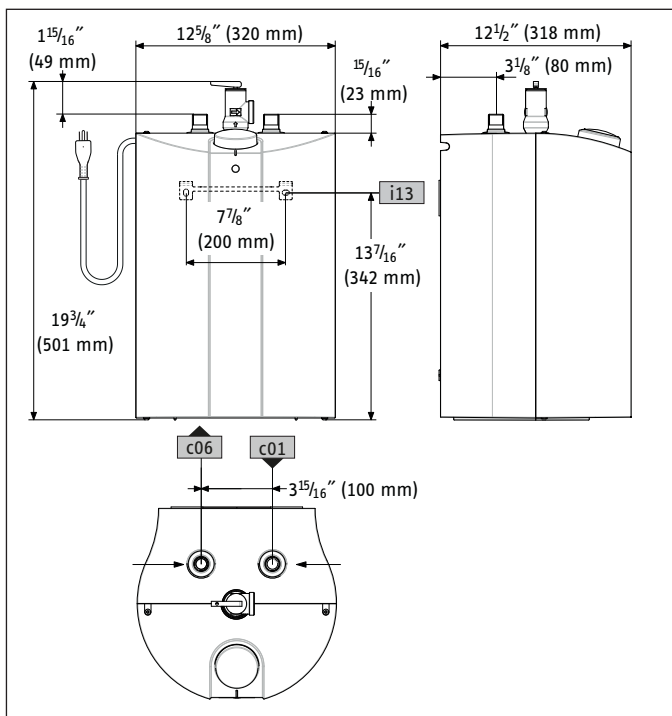
¹ Medido con selección de temperatura de 131 °F / 55 °C en una temperatura ambiente de 68 °F / 20 °C.

² Estimar

12.1 Dimensiones, SHC 2.5



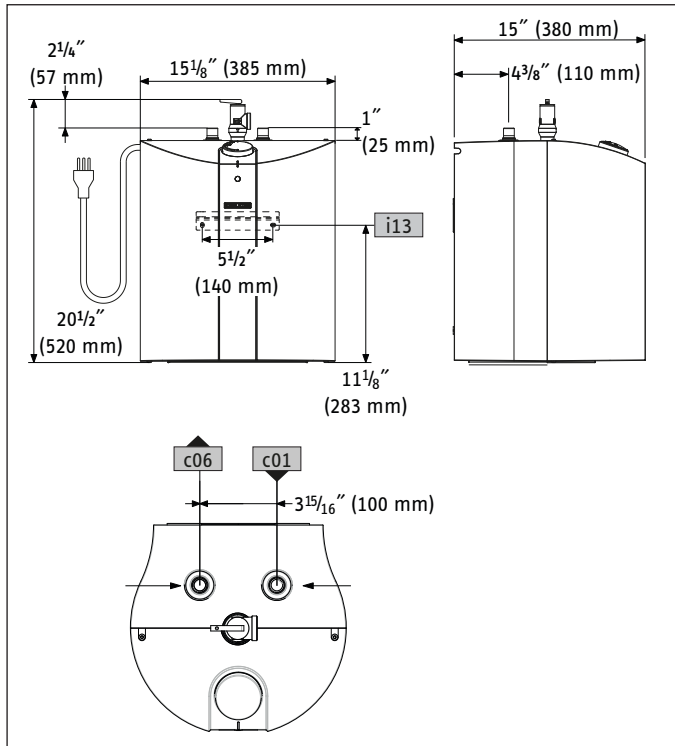
12.2 Dimensiones, SHC 4



INSTALACIÓN

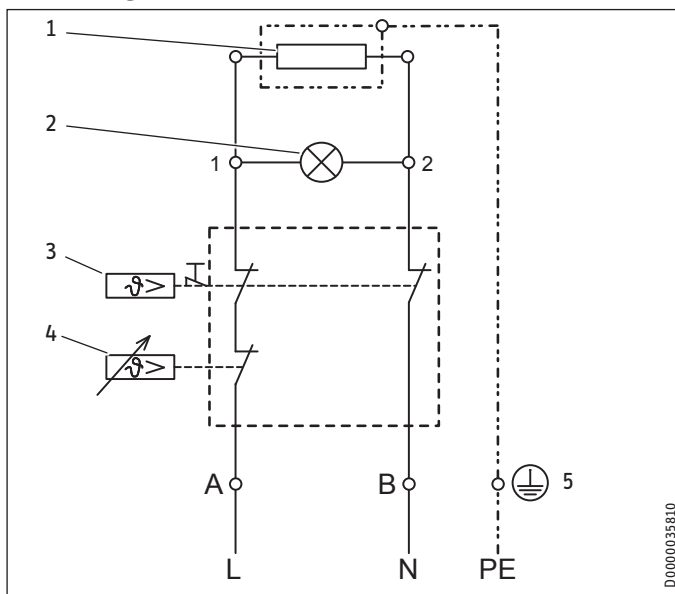
DATOS TÉCNICOS

12.3 Dimensiones, SHC 6



Etiqueta	Descripción	Conexiones
c01	Entrada de agua fría	1/2" NPT rosca macho
c06	Salida del agua caliente sanitaria	1/2" NPT rosca macho
i13	Lugar de montaje de pared	

12.4 Diagrama eléctrico



- 1 Elemento calefactor
- 2 Lámpara indicadora
- 3 Interruptor
- 4 Termostato
- 5 Tanque

13. Garantía Limitada

GARANTÍA LIMITADA

Sujeto a los términos y condiciones expresados en esta garantía limitada de por vida, Stiebel Eltron, Inc. (el "Fabricante") por la presente asegura al comprador original (el "Propietario") que cada calentador de agua eléctrico de calor Mini-Tank (el "Calentador") no deberá (i) tener fugas debido a defectos en los materiales del fabricante o mano de obra por un período de seis (6) años desde la fecha de compra o (ii) falla debido a defectos en los materiales o mano de obra del fabricante por un período de dos (2) años a partir de la fecha de compra. Como única y exclusiva solución para el Propietario en cuanto a la presente garantía, el Fabricante, a discreción del Fabricante, reparará en fábrica o reemplazará el Calentador defectuoso con una unidad o repuesto de reemplazo con características de funcionamiento comparables. La máxima responsabilidad del Fabricante en cualquier circunstancia se limitará al precio de compra del Calentador que pagó el Propietario.

Esta garantía limitada será la garantía exclusiva que el Fabricante otorga, y reemplaza todas las demás garantías, expresas o implícitas, escritas u orales, que incluyen pero no se limitan a las garantías de comerciabilidad o adecuación para un fin determinado. El Fabricante no será responsable de daños incidentales, indirectos o contingentes o gastos que surjan, de manera directa o indirecta, de cualquier defecto del Calentador o del uso del mismo. El Fabricante no será responsable por daños ocasionados por el agua o cualquier otro daño a la propiedad del Propietario que surja, de manera directa o indirecta, de cualquier defecto del Calentador o del uso del mismo. Solo el Fabricante está autorizado a conceder todas las garantías en representación del Fabricante, y ninguna declaración o garantía realizada por cualquier otra parte será vinculante para el Fabricante.

El Fabricante no será responsable de ningún daño relacionado o causado por:

1. cualquier uso indebido o falta de cuidado del Calentador, cualquier accidente que afecte al Calentador, cualquier alteración al Calentador, o cualquier otro uso incorrecto;
2. casos fortuitos o circunstancias sobre las cuales el Fabricante no tiene control;
3. instalación del Calentador que se desvíe de las directivas del Fabricante o no observe los códigos de construcción pertinentes;
4. negligencia en cuanto a mantener el Calentador u

operar el Calentador según las especificaciones del Fabricante;

5. hacer funcionar el Calentador en condiciones de presión de agua fluctuante o excesiva o en caso de que el Calentador se alimente de agua no potable durante un período de cualquier duración;
6. instalación defectuosa y/o uso de materiales inapropiados por parte de cualquier instalador y que no se relacione con defectos en los repuestos o la mano de obra del Fabricante;
7. mover el Calentador de su lugar original de instalación;
8. exposición a condiciones de congelamiento;
9. los problemas de calidad del agua, como el agua corrosiva, el agua dura y agua contaminada con contaminantes o aditivos;
10. no suministrar continuamente la unidad con agua, también conocido como "tiro en seco".

Si el Propietario desea devolver el Calentador al fabricante para su reparación o reemplazo bajo esta garantía, el Propietario debe obtener primero la autorización por escrito del Fabricante. El Propietario deberá presentar una prueba de compra, incluida la fecha de compra, y será responsable de los costos de desinstalación y transporte. Si el Propietario no puede demostrar una fecha de compra, esta garantía se limitará al período que comienza a partir de la fecha de compra impresa en el Calentador. El Fabricante se reserva el derecho de negar la cobertura de esta garantía después de examinar el Calentador. Esta garantía se limita al propietario y es intransferible.

Algunos Estados y Provincias no permiten la exclusión o limitación de ciertas garantías. En dichos casos, las limitaciones aquí expresadas pueden no aplicarse al Propietario. En dichos casos esta garantía se limitará al período más corto y las menores cifras de daños permitidas por ley. Esta garantía le da derechos legales específicos y puede que usted tenga otros derechos que variarán de Estado a Estado y de Provincia a Provincia.

El Propietario será responsable de todos los costos de mano de obra y otros cargos incurridos al retirar o reparar el Calentador en el lugar de instalación. Por favor obsérvese que el Calentador debe instalarse de tal manera que, en caso de pérdida, el flujo de agua de la pérdida no dañe el lugar en que está instalado.

Esta Garantía es válida para los E.E.U.U. y Canadá solamente. Las Garantías pueden variar según el país. Por favor consulte a su local de Stiebel Eltron Representante de la Garantía para su país.

UTILISATION

1.	Généralités	24
2.	Mesures de précaution relatives à la sécurité	24
3.	Inscrivez votre produit	25
4.	Description	25
5.	Description technique	25
6.	Recommandations générales	25

INSTALLATION

7.	Fixation de l'appareil	26
8.	Branchements de plomberie	26
8.1	Remplissage du chauffe-eau	27
9.	Configuration électrique	28
10.	Réglages	28
11.	Instructions relatives à l'entretien	28
11.1	Détartre l'élément chauffant	28
11.2	Utilisée manuellement de la soupape de décharge de pression et de température	28
11.3	Vidange du chauffe-eau	29
11.4	Retrait du couvercle	29
11.5	Retrait de l'élément chauffant	29
11.6	Détartrage de l'élément chauffant	29
11.7	Remplacement de l'élément chauffant	30
11.8	Remplacement de l'anode	30
11.9	Vanne d'isolement de sécurité	30
12.	Données techniques	31
12.1	Dimensions, SHC 2.5	31
12.2	Dimensions, SHC 4	31
12.3	Dimensions, SHC 6	32
12.4	Diagramme électrique	32
13.	Garantie Limitée	33

UTILISATION

DIRECTIVES IMPORTANTES RELATIVES À LA SÉCURITÉ



AVERTISSEMENT:

pour réduire le risque d'incendie, de choc électrique ou de blessures, lorsque vous utilisez des appareils électriques respectez les directives relatives à la sécurité:

- 1 LIRE TOUTES LES INSTRUCTIONS AVANT D'UTILISER CE CHAUFFE-EAU.
- 2 Ce chauffe-eau doit être mis à la terre. Ne connectez qu'à une prise correctement mise à la terre! Voir les instructions spéciales de mise à la terre dans le chapitre 9, « Configuration électrique », p. 28.
- 3 Installez ou placez ce chauffe-eau strictement en conformité avec les instructions d'installation ci-jointes.
- 4 N'utilisez ce chauffe-eau qu'aux fins décrites dans ce manuel.
- 5 N'utilisez pas de rallonge pour ce chauffe-eau. Si aucune prise n'est disponible à proximité du chauffe-eau, demandez à un électricien agréé d'en installer une correctement.
- 6 Il faut, comme pour tout appareil ménager, surveiller étroitement les enfants lorsqu'ils l'utilisent.
- 7 N'utilisez pas ce chauffe-eau si le câble ou la prise sont endommagés, s'il ne fonctionne pas correctement ou s'il a été endommagé ou laissé tomber.
- 8 Ne confiez l'entretien de cet appareil qu'à des prestataires d'entretien agréés. Adressez-vous à l'agence d'entretien agréée la plus proche pour les opérations d'inspection, de réparation ou de réglage.

CONSERVER CES INSTRUCTIONS

1. Généralités



ATTENTION :

Pour réduire le risque de pressions et de températures excessives dans ce chauffe-eau, installez les dispositifs de protection pour les températures et la pression stipulés dans les codes locaux, avec au moins une soupape de décharge de température et de pression combinée certifiée par un laboratoire d'essais agréé au niveau national qui inspecte régulièrement les équipements ou matériaux répertoriés, et satisfaisant aux exigences relatives aux soupapes de décharge et aux dispositifs de coupure automatique du gaz pour les systèmes d'alimentation en eau chaude de la norme ANSI Z21.22. Cette soupape doit être marquée avec une pression pré-réglée maximale ne devant pas dépasser la pression d'exploitation maximale du chauffe-eau. Installez la soupape sur l'ouverture indiquée à cet effet dans le chauffe-eau et dirigez-la ou posez une canalisation de sorte que tout écoulement se fera également dans les 152 mm au-dessus, et à n'importe quelle distance au-dessous, du plancher structural et qu'elle ne pourra pas entrer en contact avec des pièces électriques sous tension. L'ouverture de l'écoulement ne peut être bloquée ni rétrécie pour quelle raison que ce soit.

Veillez lire ce manuel dans son intégralité. Le non-respect des directives contenues dans les guides, les directives et les règlements pourrait entraîner des dégâts matériels ou des blessures. Des installations, réglages, modifications, entretiens et utilisations non conformes de cet appareil pourraient provoquer des blessures graves.

Cet appareil doit être installé par un électricien et un plombier agréés. L'installation doit se faire conformément aux codes de l'électricité et de la plomberie en vigueur au niveau national, provincial et local. Il incombe à l'installateur d'installer correctement cet appareil. Le non-respect des directives d'installation et du mode d'emploi, ou une utilisation incorrecte aura pour effet d'annuler la garantie.

Conserver ces instructions pour consultation ultérieure. L'installateur doit laisser ces instructions au consommateur.

Pour toute question relative à l'installation, l'utilisation ou le fonctionnement de ce chauffe-eau, ou si vous avez besoin de manuels d'installation supplémentaires, veuillez vous adresser à notre service technique en composant le (800) 582-8423 (Canada et États-Unis uniquement). Si vous appelez depuis un pays autre que le Canada ou les États-Unis, veuillez composer le 413-247-3380 aux États-Unis et nous vous mettrons en contact avec un centre d'entretien Stiebel Eltron agréé situé dans votre région.

- 1 Ne mettez pas le chauffe-eau là où les canalisations d'eau pourraient être soumises à des températures au-dessous de zéro.
- 2 Il est conseillé d'avoir un drain au plancher à proximité pour vidanger facilement l'appareil en cas de nécessité.
- 3 Installez le chauffe-eau de sorte qu'en cas de fuite, l'eau qui s'échapperait de l'appareil ne pourrait pas endommager ce qui se trouve autour du chauffe-eau. Le fabricant ne saurait, en aucun cas, être tenu responsable pour tout dégât causé par l'eau provoqué par ce chauffe-eau.

- 4 Lorsque vous installez le chauffe-eau, veillez à ce qu'il y ait suffisamment de dégagement autour de l'appareil pour faciliter l'entretien et les réparations.



SYMBOLE D'ALERTE À LA SÉCURITÉ:

Il sert à vous avertir qu'il existe un danger de blessure potentiel. Respectez tous les messages relatifs à la sécurité mentionnés après ce symbole pour éviter la possibilité de blessure, voire de décès.

2. Mesures de précaution relatives à la sécurité



VEUILLEZ LIRE ET RESPECTER CES INSTRUCTIONS:

Le non-respect de ces instructions pourrait entraîner des blessures graves, voire mortelles.

Cet appareil doit être installé par un plombier agréé. L'installation doit se faire conformément aux codes de l'électricité et de la plomberie en vigueur au niveau national, provincial et local.

Confiez l'entretien de cet appareil à un centre d'entretien agréé.

Avant de procéder à toute opération d'installation, de réglage, de modification ou d'entretien de cet appareil, débranchez le câble d'alimentation. Le non-respect de cette directive pourrait entraîner des blessures graves, voire mortelles.

Ne retirez jamais le couvercle de l'appareil à moins d'avoir coupé l'alimentation électrique de l'appareil. Le non-respect de cette directive pourrait entraîner des blessures graves, voire mortelles.

Ne rangez, ni n'utilisez pas de l'essence ou d'autres vapeurs ou liquides inflammables à proximité de cet appareil ou de tout autre appareil.



DANGER :

Les températures de l'eau supérieures à 52 °C (125 °F) peuvent provoquer des brûlures graves instantanées, voire mortelles en cas d'ébouillantage. Le risque d'ébouillantage par l'eau très chaude existe si le thermostat de l'appareil est réglé à une température trop élevée. Dans le cas de résidences avec de jeunes enfants, des personnes handicapées ou âgées, il est fortement conseillé de régler le thermostat à 49 °C (120 °F) ou moins pour éviter la possibilité de blessures provoquées par l'eau très chaude.



AVERTISSEMENT :

Ce chauffe-eau doit être installé strictement conformément aux instructions ci-jointes et aux codes électriques et de la construction locaux. Il est possible que les connexions vers le chauffe-eau lui-même présentent des fuites. Il est par conséquent impératif que le chauffe-eau soit installé de sorte que toute fuite d'eau sera dirigée vers un drain adéquat pour éviter tout dommage au bâtiment, à l'ameublement, à la moquette ou à tout autre bien. Ni le fabricant, ni le distributeur ne peuvent être tenus responsables pour les dégâts provoqués par les fuites d'eau provenant du chauffe-eau, la soupape de pression ou les raccords connexes si une option d'écoulement pour l'eau en cas de fuite n'a pas été prévue.



ATTENTION :

Si ce chauffe-eau alimentant un système d'eau chaude n'a pas servi pendant une période de temps assez longue (en principe deux semaines ou plus), il est possible qu'on note une production de gaz hydrogène. Celui-ci est extrêmement inflammable.

Pour réduire le risque de blessures dans ce cas-là, il est conseillé d'ouvrir le robinet d'eau chaude de l'évier de cuisine pendant plusieurs minutes avant d'utiliser un appareil ménager électrique branché au système d'eau chaude.

En présence d'hydrogène, on remarquera un bruit inhabituel ressemblant à de l'air s'échappant de la canalisation au moment où l'eau commence à couler. Il ne faut ni fumer, ni avoir une flamme nue près du robinet au moment où on l'ouvre.

Purge manuelle mensuel de la soupape P et T permettra de réduire cet effet. Voir 11.2, « Utilisée manuellement de la soupape de décharge de pression et de température », p. 28.

3. Inscrivez votre produit



NOTE:

Vous devez inscrire votre produit dans les 90 jours qui suivent la date d'achat sur notre site internet pour activer la garantie normale ou pour pouvoir réclamer la garantie prolongée. Rendez-vous à notre site internet à l'adresse suivante :

www.stiebel-eltron-usa.com et cliquez sur « Register Your Product » (inscrivez votre produit).

Avant de lancer le processus d'inscription, nous vous conseillons d'avoir à portée de main la documentation nécessaire, à savoir :

Modèle, Exemple : SHC 2.5 (de l'étiquette située sur le dessus de l'appareil, au centre)

Numéro apparaissant après « Nr. » (N°)

Lieu d'achat

Date d'achat

Prénom et nom de famille

Adresse courriel

Adresse postale

Numéro de téléphone

En cas de questions à propos du processus d'inscription ou des options pour la garantie, veuillez contacter Stiebel Eltron USA directement en composant le (800) 582-8423.

4. Description

Ces chauffe-eau SHC peuvent être utilisés dans la plupart des utilisations de lavabos. Ils sont conçus pour fournir de l'eau chaude pour se laver les mains et pour les éviers de cuisine dans les résidences, les commerces ou en milieu industriel.

Ces chauffe-eau peuvent remplacer les systèmes de chauffe-eau traditionnels composés d'un chauffe-eau central avec des canalisations d'eau chaude allant vers plusieurs robinets.

Les chauffe-eau SHC sont légers et compacts et fabriqués de sorte à être installés facilement. Ces appareils sont conçus pour être fixés au mur. Ces appareils sont conçus pour fonctionner avec une pression d'eau normale.

5. Description technique

Le récipient à pression du chauffe-eau est en acier soudé vitrifié et doté d'une anode soluble. L'isolation thermique est en polystyrène.

Le chauffe-eau est doté d'un thermostat et d'un interrupteur de sécurité de limite supérieure de température. Une soupape de décharge de pression et de température est fournie avec l'appareil.

6. Recommandations générales

Cet appareil doit être installé par des professionnels agréés. Il est impératif de respecter tous les codes locaux et provinciaux en vigueur.

Le fabricant rejette toute responsabilité pour tout dommage causé par le non-respect de ces instructions d'installation ou par une mauvaise installation exécutée par un installateur non agréé.



NOTE:

La soupape de décharge de pression et de température doit être utilisée manuellement une fois par mois. Voir 11.2, « Utilisée manuellement de la soupape de décharge de pression et de température », p. 28.



NOTE:

Choisissez un emplacement qui permette d'accéder facilement à l'appareil pour l'entretien et les réparations. Le chauffe-eau doit être installé à au moins 203 mm du plafond ou des murs adjacents.

INSTALLATION

7. Fixation de l'appareil



AVIS :

L'appareil doit être installé verticalement avec les raccords d'eau dirigés vers le haut.

AVERTISSEMENT :

N'installez pas l'appareil à un endroit où il pourrait être éclaboussé régulièrement par de l'eau. Cela pourrait entraîner un choc électrique.

ATTENTION :

Les canalisations d'écoulement d'eau chaude quittant l'appareil peuvent être chaudes au toucher. Il faut isoler les canalisations d'écoulement d'eau chaudes situées à moins de 910 mm (36 po) à cause du risque de brûlures encouru par les enfants.



AVIS :

Cet appareil ne doit pas être installé à un endroit susceptible d'être exposé au gel (températures inférieures à 2 °C (36 °F)). Si l'appareil risque d'être exposé au gel, il faut purger toute l'eau de l'appareil. Le non-respect de cette directive annule toutes les garanties.

L'appareil doit être situé dans un endroit où les fuites d'eau provenant de l'appareil ou des connexions ne risquent pas d'entraîner des dommages à son environnement immédiat. Si l'installation ne peut avoir lieu ailleurs, il est conseillé d'installer un bac de récupération sous l'appareil.

- 1 Percez deux (2) trous de 6 mm (1/4 po) dans le trou là où le chauffe-eau sera fixé.
- 2 Enfoncez les ancrages muraux en plastique.
- 3 Fixez le support mural au mur.
- 4 Accrochez le chauffe-eau au support mural.
- 5 Tirez le chauffe-eau vers le bas afin de bien l'asseoir sur le support.

8. Branchements de plomberie



IMPORTANT :

Si les canalisations d'eau sont en cuivre ou en bronze, utilisez les raccords diélectriques pour éviter la corrosion du chauffe-eau. Si aucune isolation diélectrique n'est fournie, cela pourrait entraîner une défaillance prématurée du réservoir ou du mamelon et annuler votre garantie.



IMPORTANT :

Si les canalisations d'eau sont en cuivre ou en bronze, utilisez les raccords diélectriques pour éviter la corrosion du chauffe-eau. Si aucune isolation diélectrique n'est fournie, cela pourrait entraîner une défaillance prématurée du réservoir ou du mamelon et annuler votre garantie.



IMPORTANT :

Afin d'éviter que l'eau d'entrer en contact avec les filets mâles, veiller à ce que tous les emplacements de fil sont bien scellés. Il est particulièrement important que les premiers pas de filetage être bien scellés afin d'assurer aucune fuite se produira après les raccords d'eau ont été faites correctement. Le défaut de bien sceller tuyaux pas de filetage peut permettre à l'eau d'entrer en contact avec les filets mâles et de créer la corrosion.



AVIS :

L'eau dure ou l'eau avec une teneur élevée en minéraux peut endommager l'appareil. Les dégâts causés par le tartre ou une teneur élevée en minéraux ne sont pas couverts pas la garantie.

ATTENTION :

Pour réduire le risque de pression ou de températures excessives dans le chauffe-eau, une soupape de décharge de pression et de température (P et T) a été installée.

ATTENTION :

Toujours remplir le réservoir de l'appareil avec de l'eau avant de brancher le cordon d'alimentation du chauffe-eau dans une prise électrique. Ne pas le faire se traduira par des dommages permanents à l'appareil de chauffage de l'eau.



AVIS :

Lorsqu'un chauffe-eau est installé dans un système d'alimentation d'eau fermé, comme dans le cas où un clapet anti-retour sur la canalisation d'eau froide est intégré, il faut prévoir un dispositif pour contrôler la dilatation thermique. Contactez la société des eaux ou l'inspecteur en plomberie municipal pour plus de détails sur la manière de contrôler cette situation.

Branchez la canalisation d'eau froide au raccordement d'eau froide de l'appareil (bleu). Branchez la canalisation d'eau chaude au raccordement d'eau chaude de l'appareil (rouge).

Veillez à ce que le chauffe-eau soit installé de niveau.

Installez la vanne d'isolement sur l'alimentation d'eau froide du chauffe-eau. Il s'agit d'une vanne d'isolement d'urgence. Elle doit rester ouverte lorsque le chauffe-eau fonctionne.

Lorsque vous utilisez des canalisations en cuivre, soudez un morceau de canalisation sur un raccord fileté (union) avant de visser l'adaptateur au réservoir.

LES CONNECTEURS POUR TUYAUX FLEXIBLES TRESSÉS SONT ÉGALEMENT CONSEILLÉS.

N'APPLIQUEZ PAS DE CHALEUR DIRECTEMENT AU NIVEAU DES CONNEXIONS D'ARRIVÉE OU DE SORTIE.

NIVEAU

DES CONNEXIONS D'ARRIVÉE OU DE SORTIE.

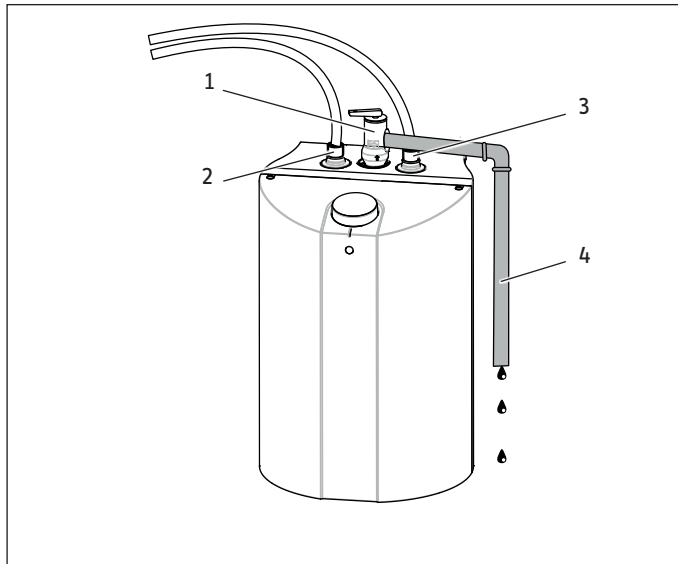
Une soupape P et T certifiée est montée sur le chauffe-eau par le fabricant avec la sortie orientée vers la droite. Si cette position doit être changée, des fuites pourraient survenir, en particulier si elle est vissée dans le sens antihoraire, et la soupape P et T doit être étanchéifiée à nouveau. Après tous les travaux de plomberie a été achevée, la soupape de sûreté P et T doit être vérifié pour une bonne étanchéité afin de s'assurer qu'aucune fuite.

INSTALLATION

BRANCHEMENTS DE PLOMBERIE

Pendant le chauffage le volume d'eau et la pression de l'eau augmentent dans le réservoir. Il est possible que la soupape de sécurité présente des fuites. C'est tout à fait normal.

Il est recommandé d'installer un clapet anti-retour sur la ligne d'alimentation d'entrée de l'eau froide à l'unité, de sorte que toutes les poches d'air peut être purgé à travers la soupape P et T.



- 1 Soupape de décharge de pression et de température
- 2 Sortie d'eau chaude
- 3 Arrivée d'eau froide
- 4 Conduite d'évacuation

Installez une conduite d'évacuation depuis la soupape de décharge jusqu'à un évier ou un drain. Dirigez la canalisation de sorte que l'écoulement se fera également dans les 152 mm (6 po) au-dessus et à n'importe quelle distance au-dessous du plancher structural et qu'elle ne pourra pas entrer en contact avec des pièces électriques sous tension.

NE BOUCHEZ PAS, NI NE FILETEZ PAS L'EXTRÉMITÉ DE LA CONDUITE D'ÉVACUATION; ELLE DOIT RESTER OUVERTE ET CONSERVER SON DIAMÈTRE INITIAL.

La soupape P et T est certifiée par un laboratoire d'essais de réputation nationale qui inspecte régulièrement les équipements répertoriés. Elle satisfait aux exigences relatives aux soupapes de décharge et aux dispositifs d'isolement automatique pour les systèmes d'alimentation en eau chaude de la norme ANSI 121.22.0979.

La pression maximale est inscrite sur la soupape P et T et elle ne doit pas dépasser la pression de fonctionnement maximale du chauffe-eau (150 lb/po²).

LA CONDUITE D'ÉVACUATION

- Ne doit pas être de plus petite taille que la conduite de sortie de la soupape, ni posséder des raccords réducteurs.
- Ne doit être ni bouchée, ni bloquée.
- Doit être en matériau compatible avec l'eau chaude.
- Ne doit pas dépasser 4,5 m (15 pi) de long.
- Ne doit pas présenter plus de deux coudes.
- Doit arriver dans un drain adéquat.
- Ne doit pas avoir une soupape entre la soupape de décharge et le réservoir.

8.1 Remplissage du chauffe-eau

Pour remplir le chauffe-eau :

- 1 Ouvrez le robinet d'eau chaude.
- 2 Ouvrez le robinet d'alimentation en eau froide.
- 3 Lorsque l'eau commence à s'écouler du robinet d'eau chaude, cela implique que le réservoir est rempli.
- 4 Fermez le robinet d'eau chaude.
- 5 Vérifiez que le système n'a aucune fuite.

9. Configuration électrique

**ATTENTION :**

Ne jamais brancher le câble du chauffe-eau dans une prise électrique avant qu'il soit plein d'eau. Sinon, l'appareil pourrait être endommagé sans option de réparation

AVIS :

le chauffe-eau doit être connecté à une prise avec mise à la terre.

Ce chauffe-eau a été conçu pour fonctionner sous du 110 – 120 V. N'utilisez pas ce chauffe-eau sous une autre tension. Le non-respect de cette directive peut entraîner des blessures et des dégâts matériels.

Le chauffe-eau est fourni avec un câble électrique avec fiche. Si le câble est endommagé ou trop court, il faut qu'il soit remplacé par un électricien agréé.

Veillez à ce que tout l'air soit purgé du système, ouvrez le robinet d'eau chaude de vos lavabos jusqu'à ce que l'eau s'écoule régulièrement de tous les robinets. Si ce n'était pas le cas, votre élément pourrait être endommagé.

Le chauffe-eau doit être connecté à UNE PRISE AVEC MISE À LA TERRE.

L'appareil est doté d'un câble pour brancher le chauffe-eau à une prise électrique. Il est impératif de respecter tous les codes locaux et provinciaux en vigueur. Installez le disjoncteur correct dans le panneau du disjoncteur.

Le chauffe-eau a été fabriqué et câblé conformément aux exigences des normes UL.

Une limite supérieure de température avec ré-enclenchement manuel a été installée en usine pour interrompre l'alimentation électrique en cas de défaillance du thermostat.

N'UTILISEZ PAS ce chauffe-eau sous une autre tension. Le non-respect de cette directive peut entraîner des blessures et des dégâts matériels.

10. Réglages

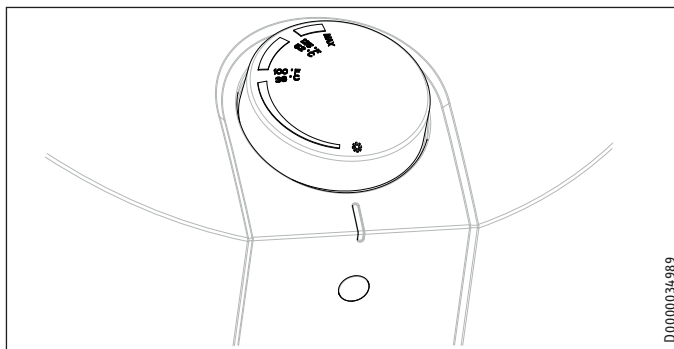
Le chauffe-eau est doté d'un thermostat réglable qui permet de contrôler automatiquement la température de l'eau. Le témoin reste allumé lorsque l'eau est en train d'être chauffée.

La température est réglée en tournant le bouton dans le sens antihoraire (vers la gauche) pour augmenter la température et dans le sens horaire (vers la droite) pour la réduire.

Le thermostat du chauffe-eau peut être programmé pour empêcher que l'eau ne gèle. Cette position maintient la température interne au-dessus de zéro.

La tuyauterie à l'extérieur du chauffe-eau et le robinet ne sont pas protégés contre le gel.

Réglage pour la protection contre le gel



11. Instructions relatives à l'entretien

**AVERTISSEMENT :**

Avant toute opération de réparation ou de nettoyage du chauffe-eau, débranchez le chauffe-eau de la prise électrique.

La soupape de décharge de pression et de température doit être utilisée manuellement une fois par mois. Il faut faire attention que :

1. Personne ne se trouve près de la canalisation d'évacuation de la soupape de décharge de pression et de température.
2. L'eau qui s'écoule n'entraînera aucune blessure ni dégât matériel. L'eau peut être très chaude.

N'essayez jamais de réparer le chauffe-eau.

Faites appel à un plombier ou à un électricien agréés pour les réparations. Débranchez l'appareil lorsque l'alimentation en eau est coupée.

Avant d'appeler un réparateur, veillez à ce que :

1. Le chauffe-eau soit bien rempli.
2. L'alimentation électrique n'a pas été coupée.

11.1 Détartre l'élément chauffant

Il est conseillé de détartre l'élément chauffant tous les deux ans environ et de vérifier l'état de l'anode au magnésium et de la remplacer si son diamètre est inférieur à 10 mm (3/8 po). Voir 11.8, « Remplacement de l'anode », p. 30.

11.2 Utilisée manuellement de la soupape de décharge de pression et de température

Il est recommandé d'installer un clapet anti-retour sur la ligne d'alimentation d'entrée de l'eau froide à l'unité, de sorte que toutes les poches d'air peut être purgées à travers la soupape P et T.

La soupape de P et T doit être utilisée manuellement une fois par mois. Il faut faire attention que :

1. Personne ne se trouve près de la canalisation d'évacuation de la soupape P et T.
2. L'eau qui s'écoule n'entraînera aucune blessure ni dégât matériel. L'eau peut être très chaude.

11.2.1 P et T ventilation / procédure de test

- 1 Avant de ventilation, assurez-vous qu'il est connu comment couper l'alimentation en eau du chauffe-eau. Il ne est pas nécessaire au départ, mais peut le devenir si la soupape P et T ne réinstallez pas correctement lorsque évacué, ce qui peut entraîner une fuite d'eau.
- 2 Sur le dessus de la vanne P et T est une petite poignée qui élève une broche dans l'axe de la vanne. Soulevez la poignée de façon à ce la vanne se ouvre, puis relâchez-le de sorte qu'il se ferme. Cela évacuer la soupape P et T et dans le même test de temps se il fonctionne correctement.
- 3 Si la valve est collée de sorte qu'il ne se ouvre pas ou ne se ferme pas, il doit être remplacé immédiatement.
- 4 La soupape P et T peut prendre plus d'une tentative de réinstaller correctement. Si ce est le cas, essayez de ré-ouverture de la vanne et rapidement le libérer, lui permettant de slap fermée. Cette action ne endommage pas la soupape.
- 5 Si après plusieurs tentatives la vanne ne réinstallez pas correctement et continue de fuite d'eau, il doit être remplacé. Si la vanne échoue à ce test, il était déjà un mauvais fonctionnement et ne offrait pas la protection nécessaire.
- 6 Fermer immédiatement l'entrée de l'eau froide pour le chauffage. Remplacez la soupape P et T dysfonctionnement par une nouvelle.

Si, après avoir été manipulée, la soupape ne se réenclenche pas et l'eau continue à couler, fermez immédiatement l'arrivée d'eau froide du chauffe-eau. Remplacez la soupape de décharge de pression et de température par une nouvelle soupape.

Le fait de ne pas installer et maintenir en bon état une soupape de décharge de pression et de température dégage le fabricant et le distributeur de ce chauffe-eau de toute réclamation qui pourrait survenir à la suite d'une température ou d'une pression excessives.

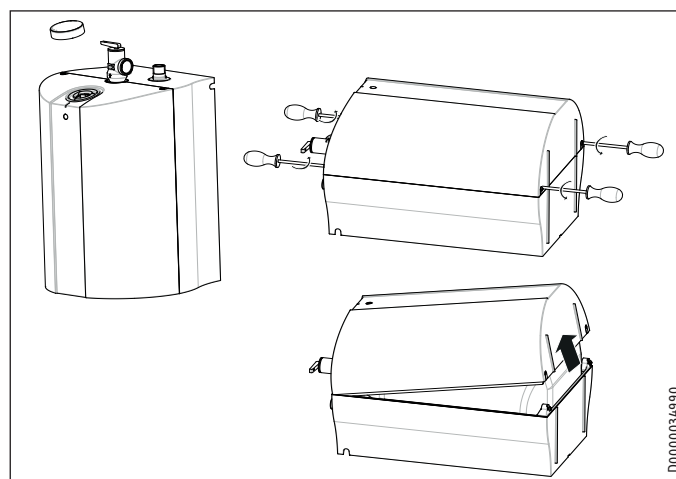
11.3 Vidange du chauffe-eau

Pour effectuer certains travaux de réparation, il faut vidanger le chauffe-eau. Pour cela, procédez comme suit :

- 1 Débranchez le chauffe-eau.
- 2 Ouvrez le robinet d'eau chaude pour faire sortir toute l'eau chaude. Laissez-la couler jusqu'à ce que de l'eau froide sorte du robinet.
- 3 Coupez l'alimentation en eau froide vers le chauffe-eau.
- 4 Fermez le robinet d'eau chaude.
- 5 Déconnectez le chauffe-eau des canalisations d'eau chaude et d'eau froide.
- 6 Détachez le chauffe-eau du mur en faisant bien attention.
- 7 Inclinez le chauffe-eau pour faire sortir l'eau qui resterait.

11.4 Retrait du couvercle

- 1 Retirez le bouton de contrôle de la température à l'avant de l'appareil.
- 2 Retirez les vis du couvercle.
- 3 Retirez le couvercle en inclinant la partie inférieure et enlevez le couvercle. Le couvercle devrait sortir facilement.

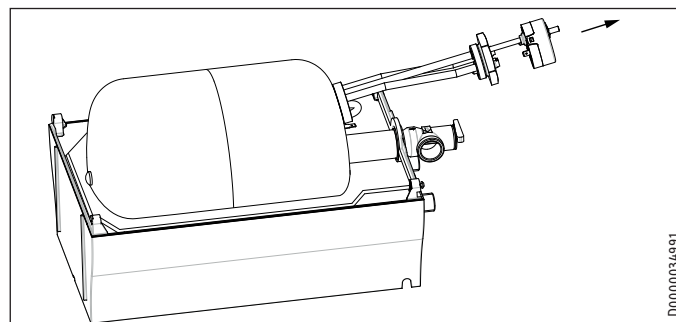


D0000034990

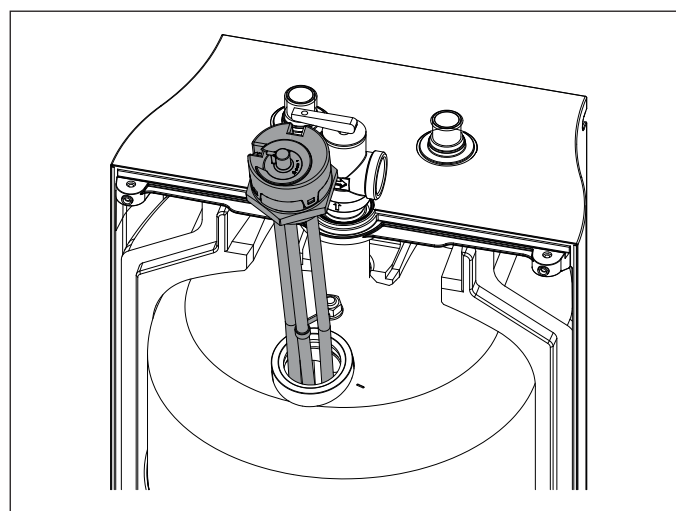
FRANÇAIS

11.5 Retrait de l'élément chauffant

- 1 Débranchez et vidangez le chauffe-eau. Voir 11.3, « Vidange du chauffe-eau », p. 29.
- 2 Retirez le couvercle. Voir 11.4, « Retrait du couvercle », p. 29.
- 3 Débranchez les fils de la ligne du thermostat et du réservoir.
- 4 Retirez le thermostat de l'élément de chauffage.
- 5 Dévissez, à l'aide d'une clé appropriée, l'élément chauffant.
- 6 Retirez l'élément chauffant du réservoir.



D0000034991



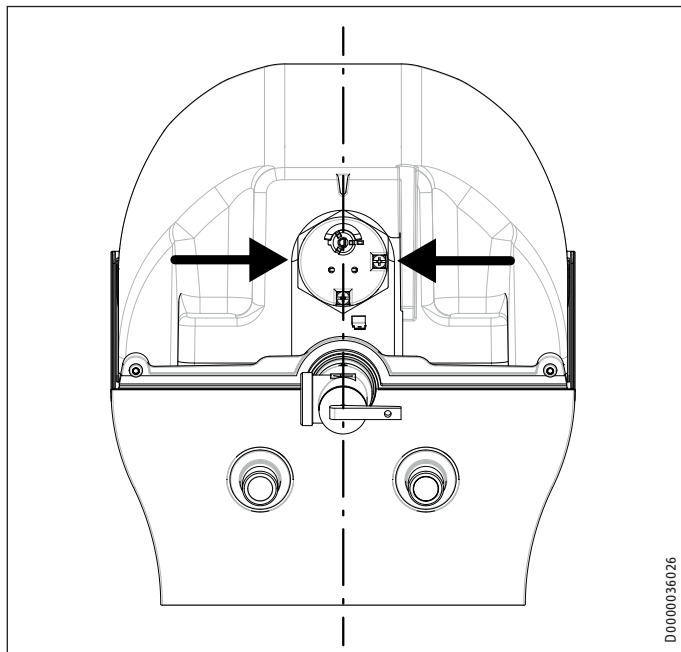
11.6 Détartrage de l'élément chauffant

Le tartre accumulé peut nuire à la capacité de chauffage de l'élément chauffant. Le tartre peut même entraîner la défaillance permanente de l'élément. L'élément peut être détartré chimiquement ou manuellement.

- 1 Retirez l'élément chauffant. Voir 11.5, « Retrait de l'élément chauffant », p. 29.
- 2 Pour détartrer chimiquement, trempez l'élément chauffant dans du vinaigre blanc ou toute autre solution de détartrage, puis rincez abondamment.
- 3 Pour détartrer manuellement, utilisez un outil non métallique (doux); brossez l'élément pour enlever le tartre. Veillez à ne pas endommager la surface de l'élément chauffant.
- 4 Remettez l'élément chauffant en place.
- 5 Remplissez le réservoir avant de rebrancher le chauffe-eau à l'alimentation électrique.

11.7 Remplacement de l'élément chauffant

- 1 Débranchez et vidangez le chauffe-eau. Voir 11.3, « Vidange du chauffe-eau », p. 29.
- 2 Retirez le couvercle. Voir 11.4, « Retrait du couvercle », p. 29.
- 3 Retirez l'élément chauffant. Voir 11.5, « Retrait de l'élément chauffant », p. 29.
- 4 Installez et étanchez le nouvel élément. Veillez à ce que l'élément chauffant soit bien positionné. Fixez à nouveau tous les câbles à leur emplacement d'origine.



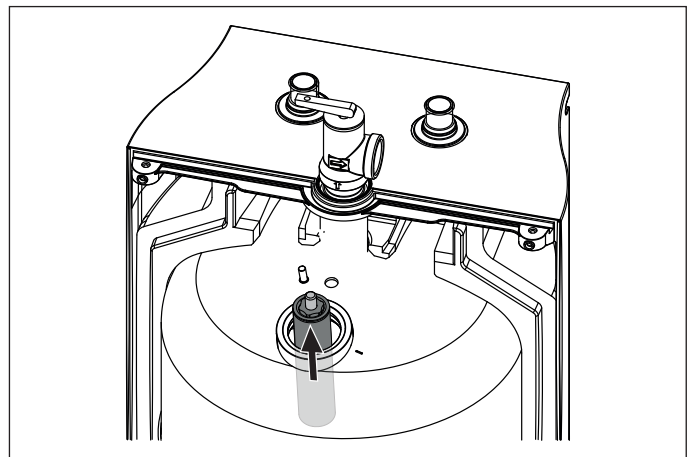
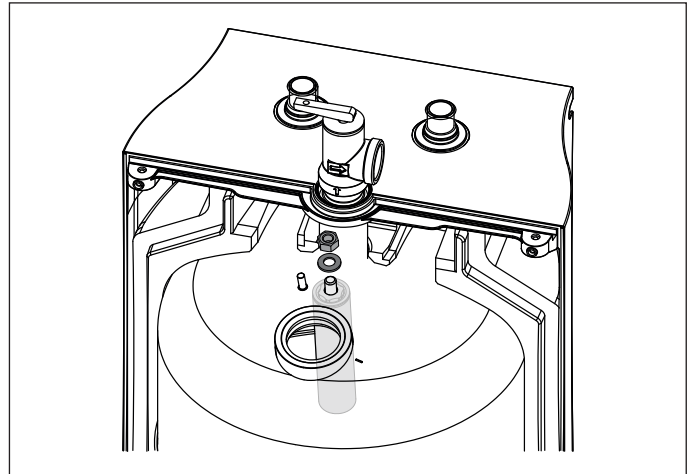
11.8 Remplacement de l'anode

Une anode au magnésium est utilisée pour prolonger la durée de vie du réservoir. Le retrait permanent de cette anode pour quelle raison que ce soit annulera la garantie.

Selon les circonstances, l'anode au magnésium aura besoin d'être changée tous les un ou deux ans. La corrosion galvanique ou électrolytique peut détruire un réservoir une anode usée. La présence d'eau rouillée signale normalement que l'anode est usée.

- 1 Débranchez et vidangez le chauffe-eau. Voir 11.3, « Vidange du chauffe-eau », p. 29.
- 2 Retirez le couvercle. Voir 11.4, « Retrait du couvercle », p. 29.
- 3 Retirez l'élément chauffant. Voir 11.5, « Retrait de l'élément chauffant », p. 29.

- 4 Fixer l'anode en utilisant une paire de pinces.
- 5 Dévisser l'écrou et retirer la tige d'anode à travers l'ouverture du port de l'élément chauffant.



- 6 Installez une nouvelle tige d'anode comprenant le joint d'étanchéité dans l'ouverture du réservoir et le fixer avec la rondelle et l'écrou inclus. Utilisez un couple de serrage de $1100 \text{ N} \cdot \text{cm} \pm 120 \text{ N} \cdot \text{cm}$.
- 7 Remettez tous les câbles et l'élément chauffant en place.
- 8 Remplissez le chauffe-eau d'eau et vérifiez qu'il n'y a pas de fuite avant de rebrancher à l'alimentation électrique.

11.9 Vanne d'isolement de sécurité



AVERTISSEMENT :

Ne bloquez jamais le plongeur coulissant de ré-enclenchement.

DANGER :

Des températures de l'eau supérieures à $52 \text{ }^\circ\text{C}$ ($125 \text{ }^\circ\text{F}$) peuvent provoquer des brûlures graves, voire mortelles en cas d'ébouillantage. N'essayez pas de réenclencher l'interrupteur de limite supérieure sans avoir laissé refroidir l'eau qui se trouve dans le chauffe-eau.

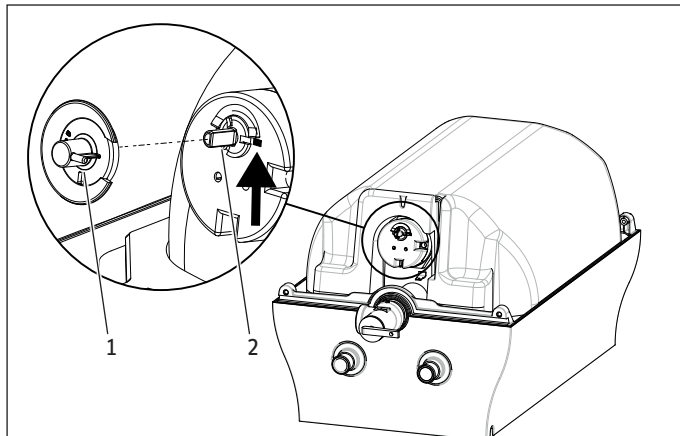
11.9.1 Ré-enclenchement du système de coupure en cas de haute température

- 1 Débranchez le chauffe-eau.
- 2 Retirez le couvercle. Voir 11.4, « Retrait du couvercle », p. 29.
- 3 Débranchez l'adaptateur de l'axe du dispositif de commande.

INSTALLATION

DONNÉES TECHNIQUES

- 4 Appuyez sur le bouton à l'aide d'un outil approprié.
- 5 Remettez l'adaptateur en position correcte.
- 6 Remettez le couvercle sur le chauffe-eau et serrez.
- 7 Remettez le bouton de commande du thermostat en place.



- 1 Adaptateur
- 2 Bouton

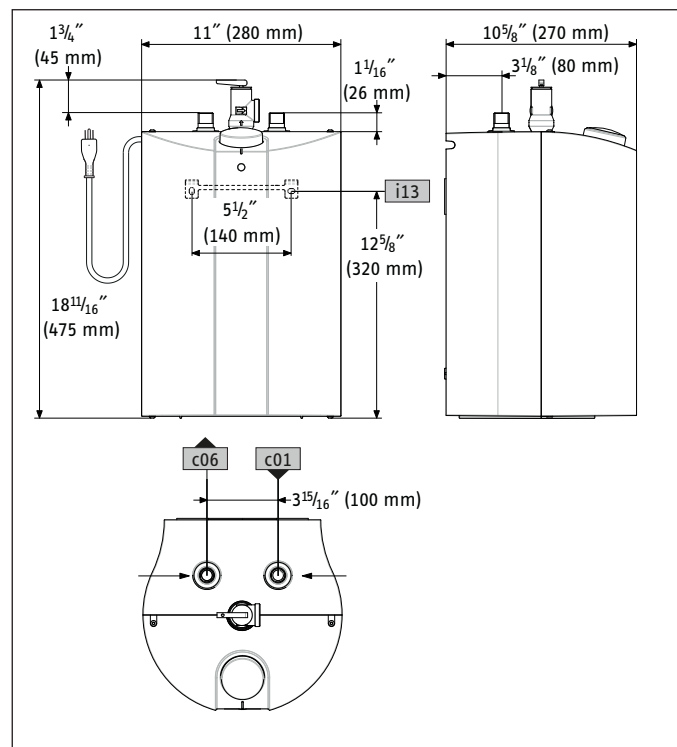
12. Données techniques

	SHC 2.5	SHC 4	SHC 6
Article n°	233219	234046	235089
Tension	110-120 V		
Puissance en Watts, max	1300 W		
Ampérage, max	11.3 A		
Phase	Monophasé, 1/N/PE		
Fréquence	50/60 Hz		
Type d'installation	Sous l'évier		
Matériau du réservoir interne	Acier		
Matériau de l'enveloppe	Plastique		
Matériau de l'isolation thermique	Polystyrène		
Couleur	blanc		
Volume d'eau nominal	2.65 gal / 10 l	4 gal / 15 l	6 gal / 22.7 l
Perte de énergie latente ¹	0.37 kWh/jour	0.39 kWh/jour	0.43 kWh/jour ²
Temps de récupération	18 minutes	27 minutes	45 minutes
Plage des températures	86-140 °F / 30-60 °C		
Pression maximale de fonctionnement	150 psi / 1.0 MPa		
Poids (à vide)	15.9 lbs / 7.2 kg	19.8 lbs / 9.0 kg	26.5 lbs / 12.0 kg ²
Poids (à plein)	38.6 lbs / 17.5 kg	52.9 lbs / 24.0 kg	76.9 lbs / 34.9 kg ²
Raccordements de l'eau	1/2 po filetage NPT		

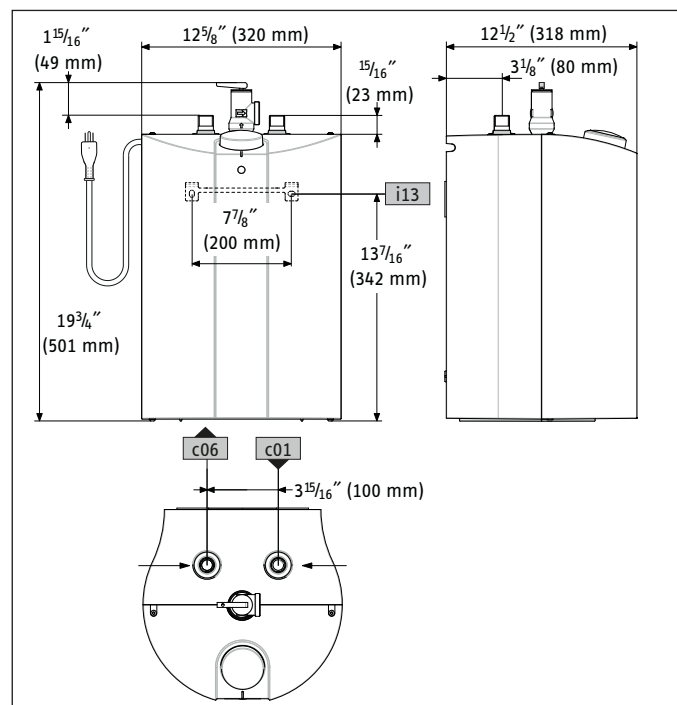
¹ Mesurée à 131 °F / 55 °C la température de consigne de 68 °F / 20 °C température ambiante de l'air.

² Estimation

12.1 Dimensions, SHC 2.5



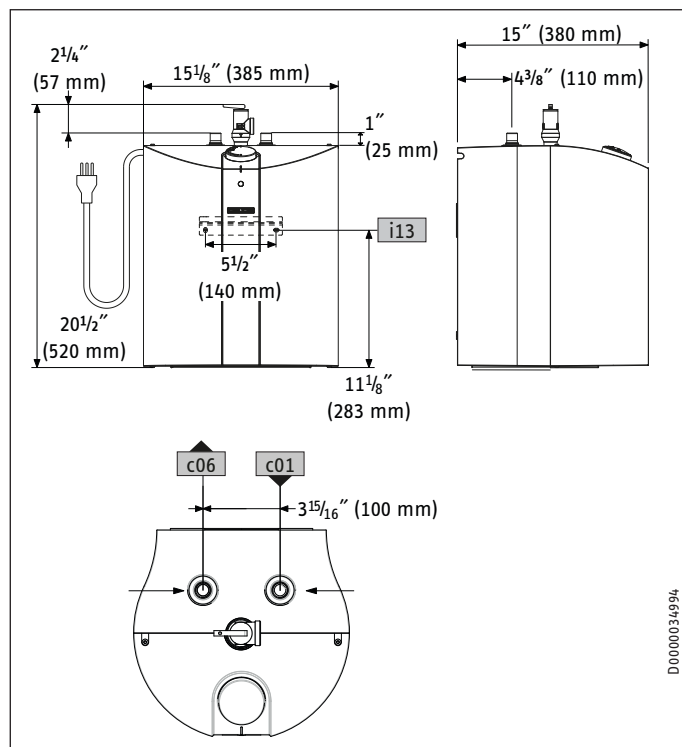
12.2 Dimensions, SHC 4



INSTALLATION

DONNÉES TECHNIQUES

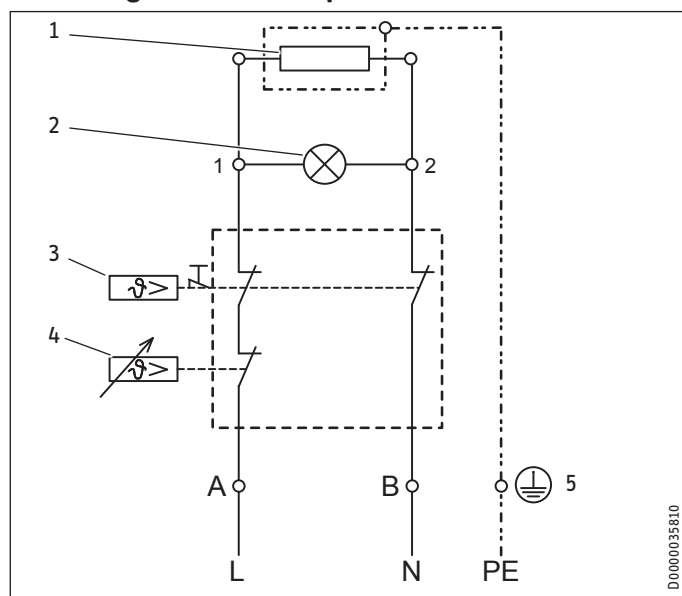
12.3 Dimensions, SHC 6



D0000034994

Étiquette	Description	Raccordements
c01	Arrivée d'eau froide	1/2" NPT filet male
c06	Sortie de l'eau chaude sanitaire	1/2" NPT filet male
i13	Emplacement de montage mural	

12.4 Diagramme électrique



D0000035810

- 1 Élément chauffant
- 2 Témoin lumineux
- 3 Coupure
- 4 Thermostat
- 5 Réservoir

13. Garantie Limitée

GARANTIE LIMITÉE

Sous réserve du respect des termes et conditions définis dans la présente garantie à vie limitée, Stiebel Eltron, Inc. (ci-après, le « Fabricant ») garantit à l'acheteur d'origine (ci-après le « Propriétaire ») que tous les chauffe-eau Mini-Tank (ci-après, le « Chauffe-eau ») ne doit pas (i) des fuites dues à des défauts de matériaux ou de fabricant de fabrication pendant une période de six (6) ans à compter de la date d'achat ou (ii) l'échec en raison de défauts dans les matériaux ou de fabrication du fabricant pour une période de deux (2) ans à compter de la date d'achat. Le seul et unique recours du propriétaire dans le cadre de la garantie susmentionnée sera pour le Propriétaire de soit réparer en usine, soit remplacer le Chauffe-eau défectueux (à la discrétion du fabricant) avec soit un appareil de rechange, soit une ou des pièces ayant les mêmes caractéristiques d'exploitation. La responsabilité financière maximale du Fabricant ne pourra en aucun cas aller au-delà du prix d'achat du réservoir.

Cette garantie limitée représente la seule garantie accordée par le fabricant et annule toute les autres garanties, orales ou écrites, expressives ou implicites, y compris, mais sans y être limitées les garanties de qualité marchande ou d'aptitude à un usage particulier. Le fabricant rejette toute responsabilité pour les dommages ou frais indirects, consécutifs ou autres résultant directement ou indirectement de tout vice présent dans le chauffe-eau ou survenu lors de l'usage du Chauffe-eau. Le fabricant rejette toute responsabilité pour tout dégât des eaux ou tout autre dégât matériel encouru par le propriétaire, résultant directement ou indirectement de tout vice présent dans le Chauffe-eau ou survenu lors de l'usage du Chauffe-eau. Seul le Fabricant est autorisé à énoncer les garanties au nom du Fabricant et aucune déclaration, garantie ou autre document énoncé par une tierce partie ne saurait engager la responsabilité du Fabricant.

Le Fabricant rejette toute responsabilité pour tout dommage causé par ou en relation avec :

toute mauvaise utilisation ou négligence du Chauffe-eau, tout accident subi par le Chauffe-eau, toute modification du Chauffe-eau ou tout autre usage non prévu, les calamités naturelles ou toute autre circonstance sur laquelle le Fabricant n'a aucun contrôle, l'installation du Chauffe-eau autre que conformément aux directives du Fabricant et autre que conformément aux codes de la construction en vigueur,

le non-respect des procédures d'entretien du Chauffe-eau ou l'utilisation du Chauffe-eau non conformes aux directives du Fabricant, l'utilisation du Chauffe-eau avec une pression d'eau irrégulière ou excessive ou dans le cas où le Chauffe-eau serait alimenté en eau non potable pour toute durée que ce soit, une installation incorrecte ou l'utilisation de matériaux incorrects par un installateur et sans relation avec les vices de fabrication ou de matériel du Fabricant, déplacer le Chauffe-eau de son lieu d'installation d'origine; l'exposition au gel, problèmes de qualité de l'eau comme l'eau corrosive, l'eau dure et de l'eau contaminée par des polluants ou des additifs, pas alimenter en continu l'unité avec de l'eau, également connu comme « le tir à sec ».

Si le Propriétaire désire renvoyer le Chauffe-eau au fabricant pour qu'il soit réparé ou remplacé dans le cadre de cette garantie, le Propriétaire doit d'abord obtenir l'autorisation écrite du Fabricant. Le Propriétaire doit apporter la preuve d'achat, y compris la date d'achat, et sera responsable de tous les frais de transport et de dépose. Si le Propriétaire ne peut pas apporter la preuve de la date d'achat, cette garantie sera limitée à la période commençant à la date de fabrication estampée sur le Chauffe-eau. Le Fabricant se réserve le droit de rejeter toute couverture de la garantie à la suite d'une inspection du Chauffe-eau par le Fabricant. Cette garantie ne s'applique qu'au Propriétaire et ne peut pas être transférée.

Certains États et Provinces n'autorisent pas l'exclusion ou la limitation de certaines garanties. Dans ce cas, les limites ci-mentionnées peuvent ne pas s'appliquer au Propriétaire. Dans ce cas, la garantie sera limitée à la période la plus courte et aux dommages et intérêts les plus faibles autorisés par la loi. Cette Garantie vous octroie des droits légaux spécifiques. Il est toutefois possible que vous ayez d'autres droits en fonction de votre juridiction.

Le Propriétaire sera responsable de tous les frais de main-d'œuvre et autres encourus lors de la dépose ou de la réparation du Chauffe-eau sur le chantier. Veuillez également noter que le Chauffe-eau doit être installé de sorte qu'en cas de fuite, l'eau qui s'écoule doit couler de façon à ne pas endommager l'endroit où il est installé.

Cette Garantie est valable pour U.S.A. et Canada uniquement. Garanties peuvent varier selon les pays. S'il vous plaît consulter votre représentant Eltron Stiebel local pour la Garantie de votre pays.

STIEBEL ELTRON, Inc.
17 West Street | West Hatfield MA 01088
Tel. 413-247-3380 | Fax 413-247-3369
info@stiebel-eltron-usa.com
www.stiebel-eltron-usa.com



STIEBEL ELTRON