



Cinch®

Under-Mount Kitchen Sink

11724-2

Features

- Large/small high/low bowls.
- Two faucet holes.
- Luster finish.
- SilentShield® sound-absorption technology offers quieter performance.
- 31-1/2" (800 mm) x 20-1/2" (512 mm)

Material

- 18-gauge stainless steel.

Installation

- Under-mount.
- Strainer not included.

Recommended Accessories

7400 Sink Strainer
15288 Sink Rack
15289 Sink Rack

Components

Product includes:
91915 Hardware Kit

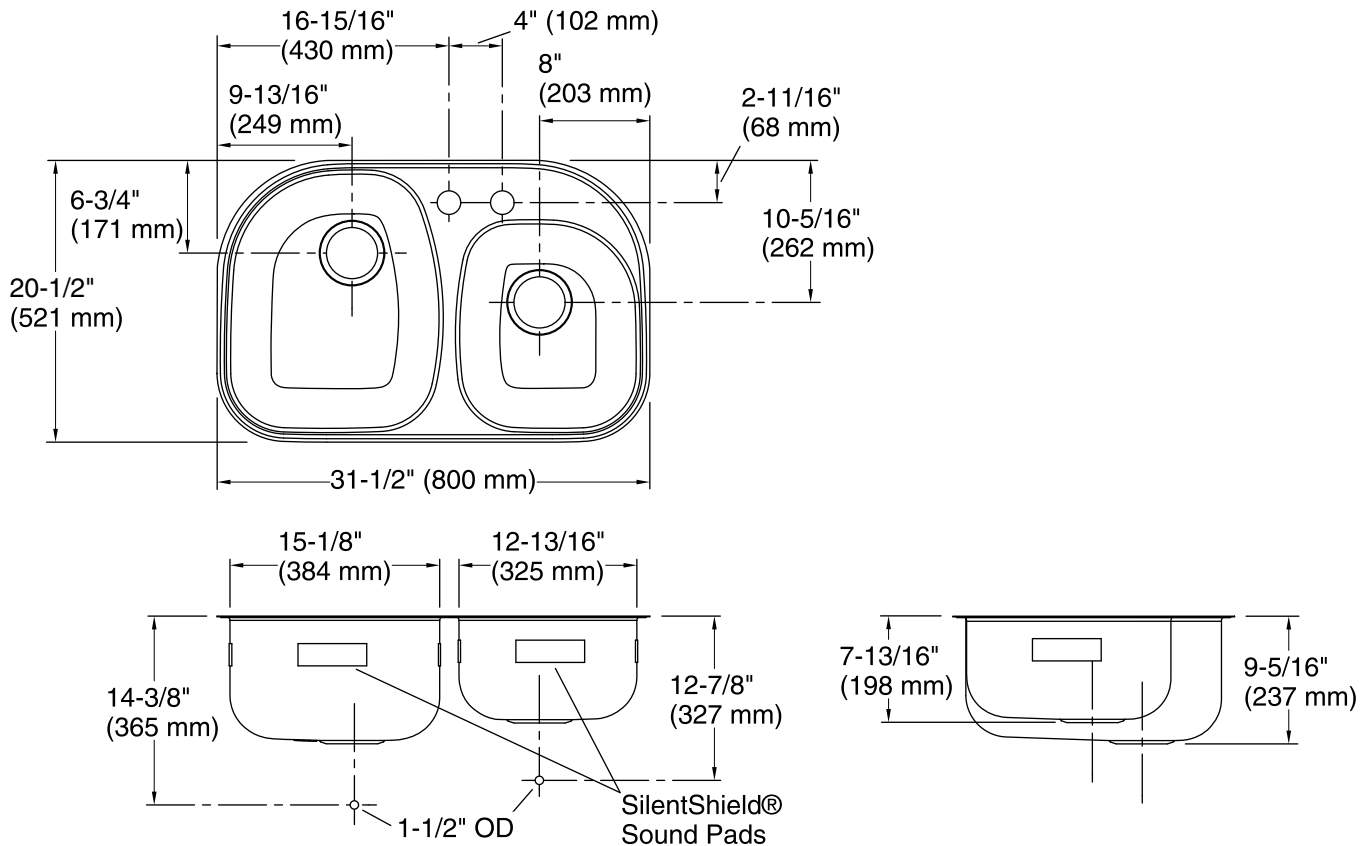


Codes/Standards

ASME A112.19.3/CSA B45.4

STERLING® Warranty - Stainless Steel Sinks

See website for detailed warranty information.



Technical Information

All product dimensions are nominal.

Bowl configuration:	High-low
Installation:	Under-mount
Bowl area (Left):	Length: 15-1/8" (384 mm) Width: 18-1/2" (470 mm) Bowl depth: 9-5/16" (237 mm) Water depth: 9-5/16" (237 mm)
Bowl area (Right):	Length: 12-13/16" (325 mm) Width: 14-7/8" (378 mm) Bowl depth: 7-13/16" (198 mm) Water depth: 7-13/16" (198 mm)
Number of deck holes:	2
Faucet hole(s):	1-3/8" (35 mm)
Drain hole:	3-5/8" (92 mm)
Template:	1105667-7, required, included

Notes

Install this product according to the installation instructions.

Measure your actual product for roughing-in details.