



Standard Framed Sliding Bath Door 690B-59

Features

- Framed, 1/8" (3 mm) thick tempered glass.
- Adjustable rollers allow doors to slide effortlessly and quietly.
- Threshold conveniently directs water back into shower.
- Traditional towel bar completes the look of this door.

Material

- Anodized aluminum prevents rusting or corrosion.
- Tempered glass ensures maximum safety and durability.

Installation

- Out-of-plumb adjustability allows for simpler installation.
- Can be installed to open to the left or right.

Components

Additional included component/s: Hardware kit.



Codes/Standards

ANSI Z97.1
CPSC 16CFR 1201


STERLING® Warranty - Bath and Shower Doors

See website for detailed warranty information.

Available Color/Finishes

Color tiles intended for reference only.

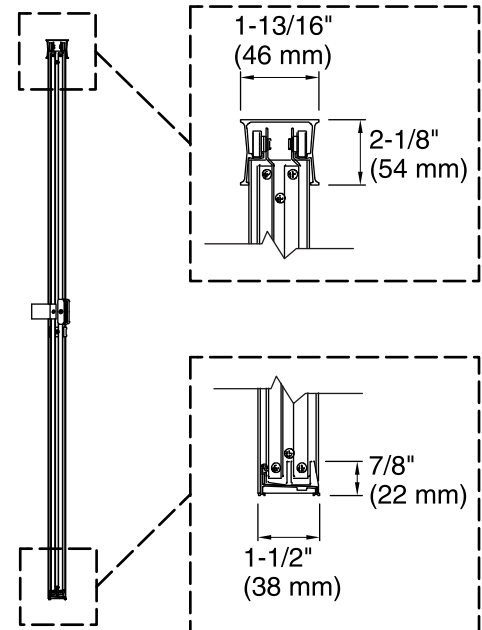
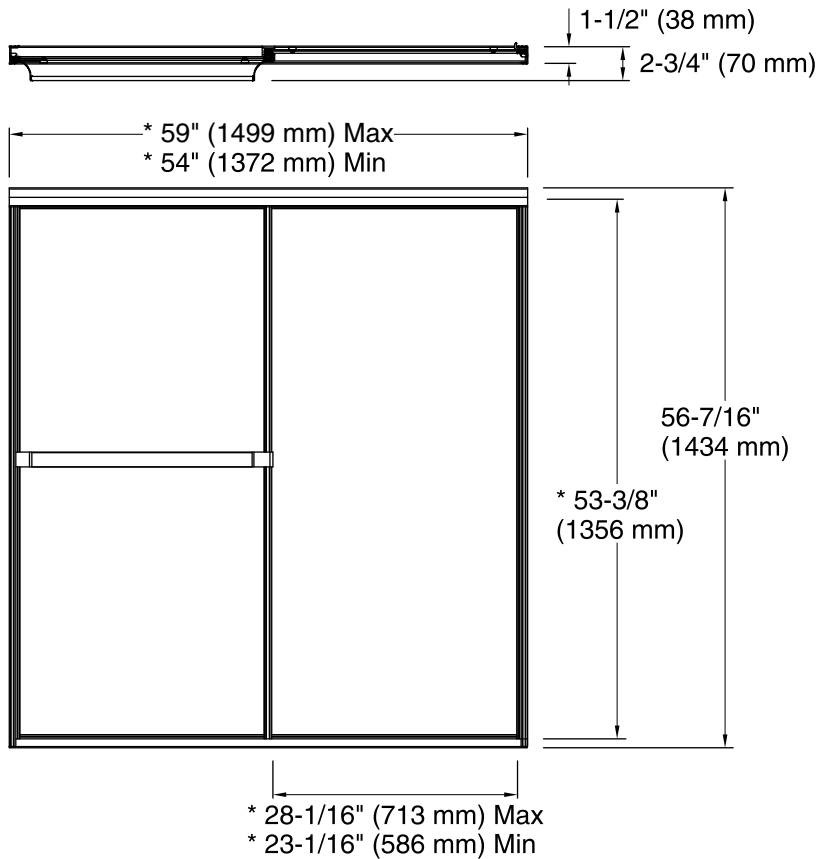
Color	Code	Description
-------	------	-------------

	S	Silver
--	---	--------

Available Glass Options

Code	Description
------	-------------

	Hammered
	Hammered, Mirror



* Walk-through

Technical Information

All product dimensions are nominal.
 Installation type: For bath installation
 Opening Width - Min: 54" (1372 mm)
 Opening Width - Max: 59" (1499 mm)
 Walk-through - Min: 23-1/16" (586 mm)
 Walk-through - Max: 28-1/16" (713 mm)
 Glass thickness: 1/8" (3 mm)

Notes

Install this product according to the installation guide.
 The vertical opening should be a minimum of 57-15/16" (1472 mm) to allow for installation clearance.