



Middleton®

Top-mount Kitchen Sink

14631-4

Features

- Rectangular bowl.
- Four faucet holes.
- Satin deck and luster bowl finishes.
- SilentShield® sound-absorption technology offers quieter performance.
- 14631-4 = single pack.
- 14631-4F = 50 per pack.
- 25" (635 mm) x 22" (559 mm) x 6" (152 mm)

Material

- 20-gauge stainless steel.

Installation

- Top-mount.
- Strainer not included.

Recommended Accessories

7400 Sink Strainer

Components

Product includes:

1150001 Installation Clips



ADA

Codes/Standards

ASME A112.19.3/CSA B45.4

ADA

ICC/ANSI A117.1

STERLING® Warranty - Stainless Steel Sinks

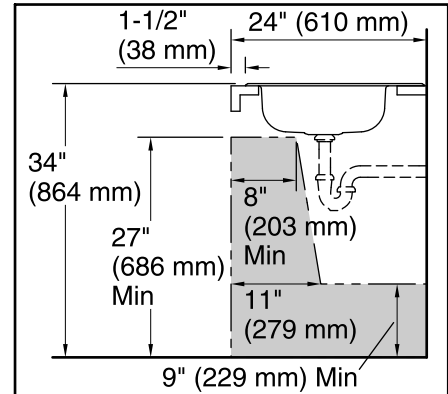
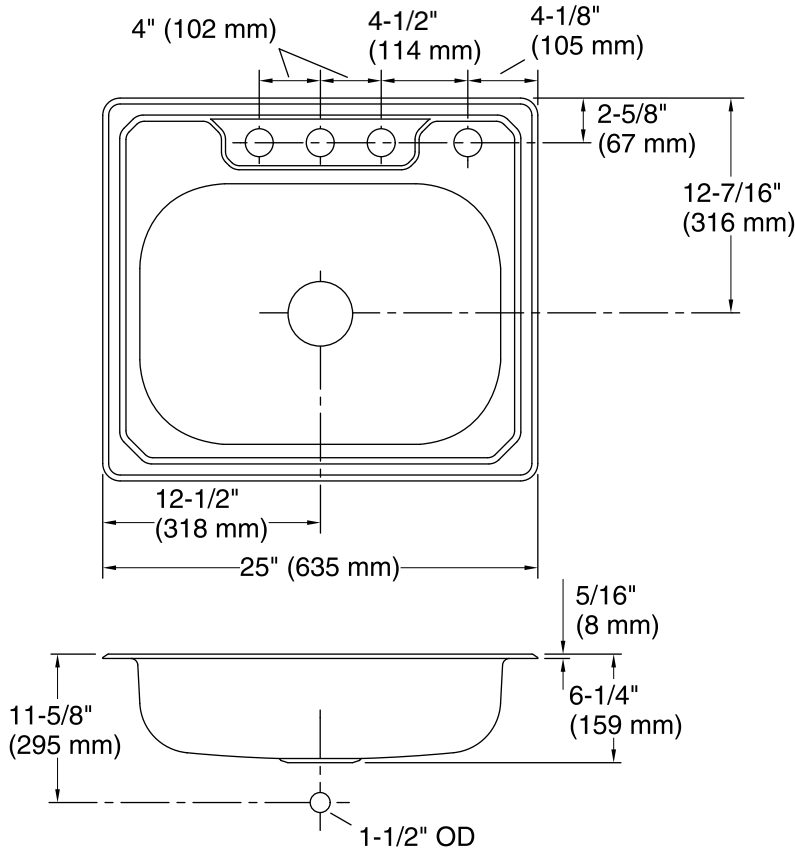
See website for detailed warranty information.

USA/Canada: 1-800-STERLING (1-800-783-7546)

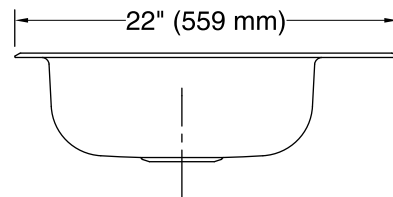
Kohler Co. reserves the right to make revisions without notice to product specifications.

For the most current Specification Sheet, go to www.sterlingplumbing.com.

9-15-2018 10:01



Recommended ADA Installation



Technical Information

All product dimensions are nominal.

- Bowl configuration: Single
- Installation: Top-mount
- Cutout: Top-mount, 24-1/2" x 21-1/2" (622 mm x 546 mm) with 11/16" (18 mm) radius corners
- Bowl area (Only): Length: 25" (635 mm)
Width: 22" (559 mm)
Bowl depth: 6" (152 mm)
Water depth: 6" (152 mm)
- Number of deck holes: 4
- Faucet hole(s): 1-7/16" (37 mm)
- Drain hole: 3-5/8" (92 mm)

Notes

- Install this product according to the installation instructions.
- Measure your actual product for roughing-in details.
- ADA compliant when installed to the specific requirements of these regulations.