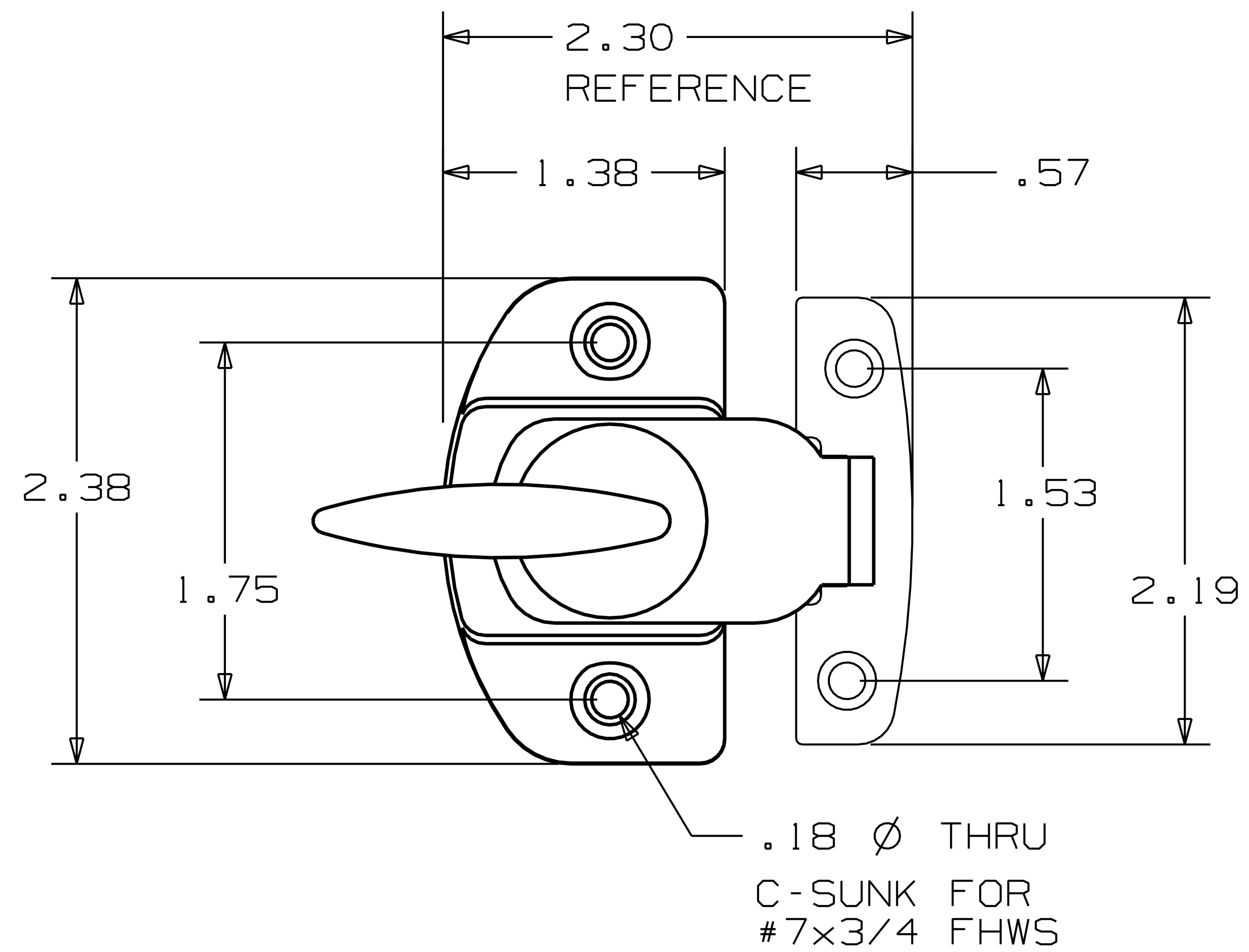
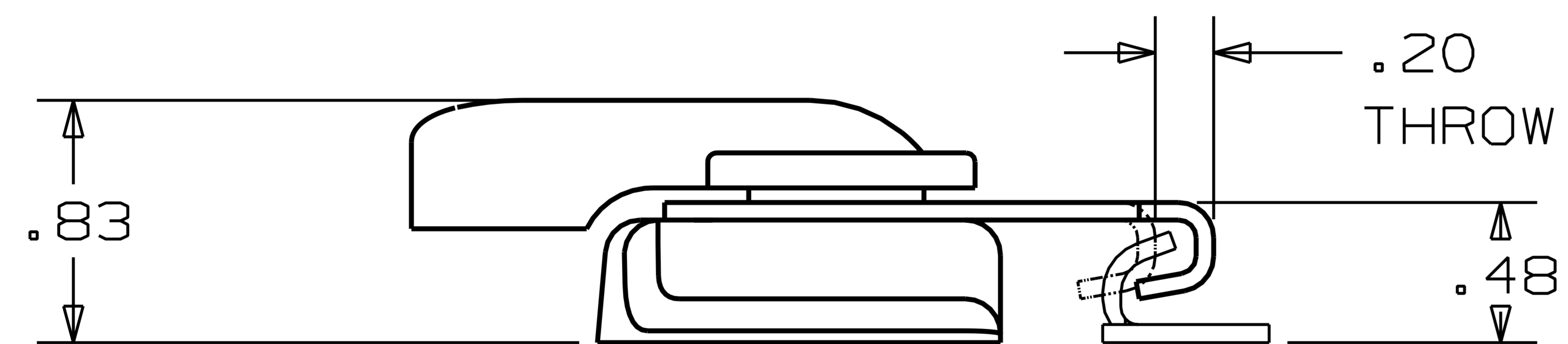
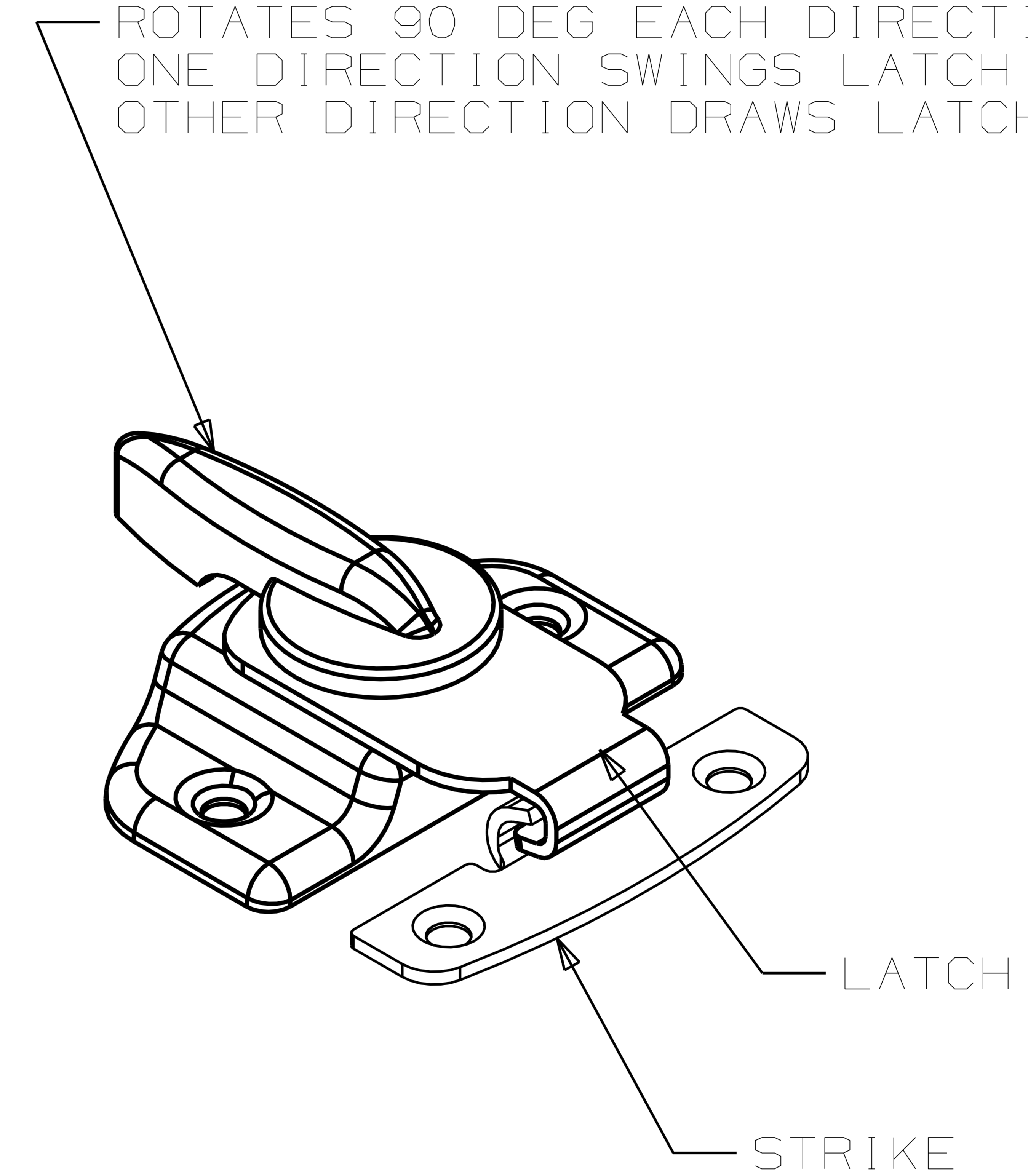


N602/S7076



ROTATES 90 DEG EACH DIRECTION
ONE DIRECTION SWINGS LATCH 90 DEG
OTHER DIRECTION DRAWS LATCH TO TIGHTEN



Dimensions shown are nominal and
subject to change. For critical design
specification, contact techinfo@natman.com
©2010 National Manufacturing Co.