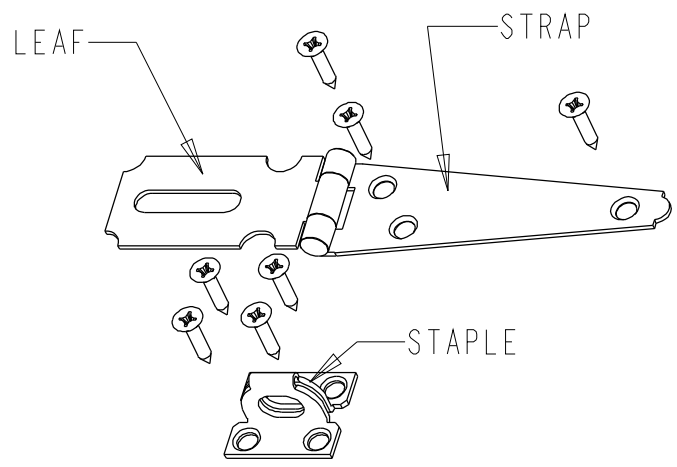
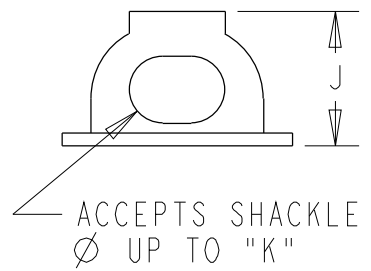


"G" PIN Ø



HASP ASSEMBLY			
DIM.	3"	4"	6"
A	3	4	6
B	5-1/4	6-1/4	9-3/4
C	1-5/32	1-1/4	1-5/8
D	7/16	29/64	1/2
E	1-3/16	1-3/16	1-9/16
F	5/16	5/16	13/32
G	0.168	0.168	0.195
LEAF MTL	0.065 STEEL	0.065 STEEL	0.072 STEEL
STRAP MTL	0.056 STEEL	0.056 STEEL	0.072 STEEL
FLAT HD SCREWS	#6X3/4 (7 PCS)	#7X3/4 (7 PCS)	#9X3/4(3) #8X3/4(4)



STAPLE		
DIM.	3"&4"	6"
H	1-1/16	1-3/8
I	1-1/8	1-5/8
J	3/4	7/8
K	5/16	7/16
STAPLE MTL	0.079 STEEL	0.079 STEEL

DIMENSIONS SHOWN ARE NOMINAL AND SUBJECT TO CHANGE. FOR CRITICAL SPECIFICATIONS CONTACT STANLEY NATIONAL CUSTOMER SUPPORT. COPYRIGHT STANLEY NATIONAL HARDWARE, 2008

S912 & N288 HASP