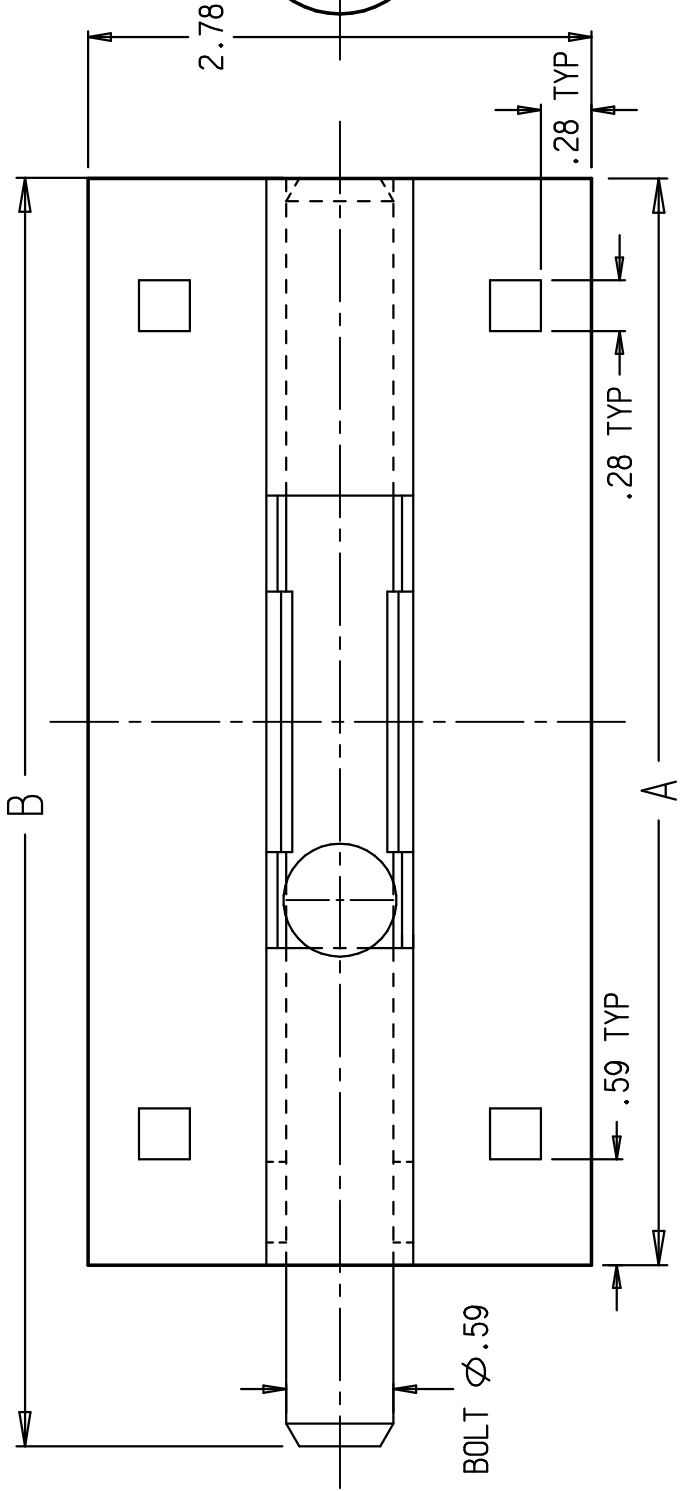
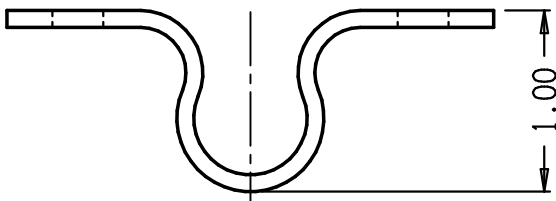
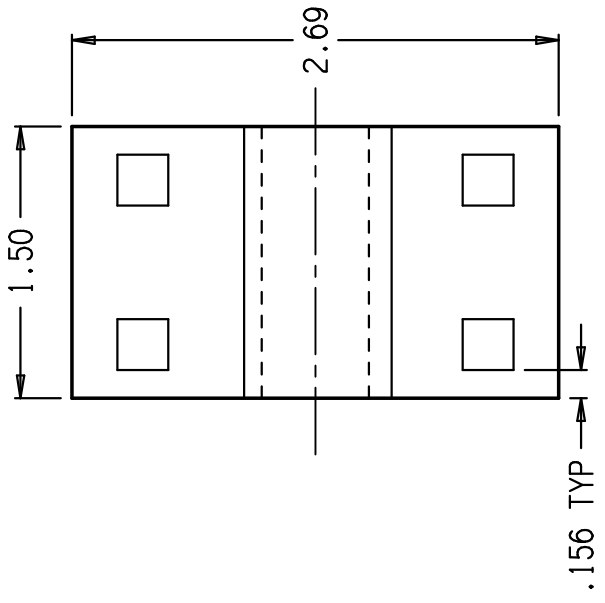
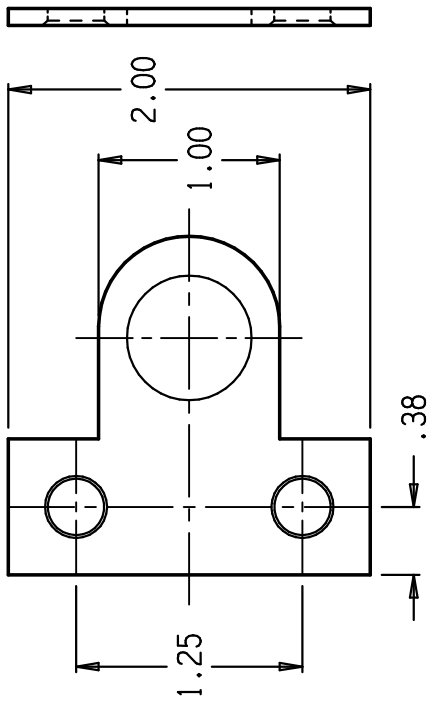


1085-T

SIZE	A	B
5"	4.5"	5.5"
8"	6.0"	7.0"



BOLT  $\phi$  .59

- NOTES:
- CASE AND STRIKE: 0.093" THICK STEEL.
  - LOCK HOLE ACCEPTS 7/16" MAX. DIA. SHACKLE.

S/1085, N/832 BARREL BOLT