



2016

PRODUCT CATALOG

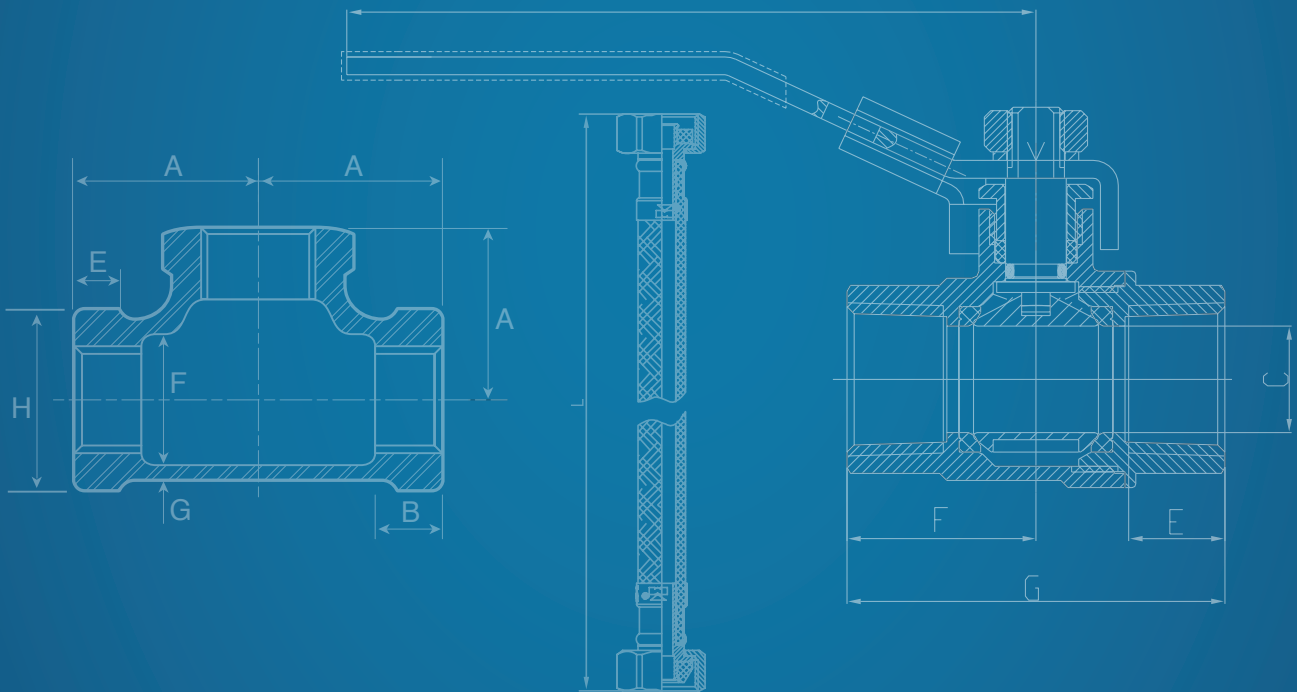
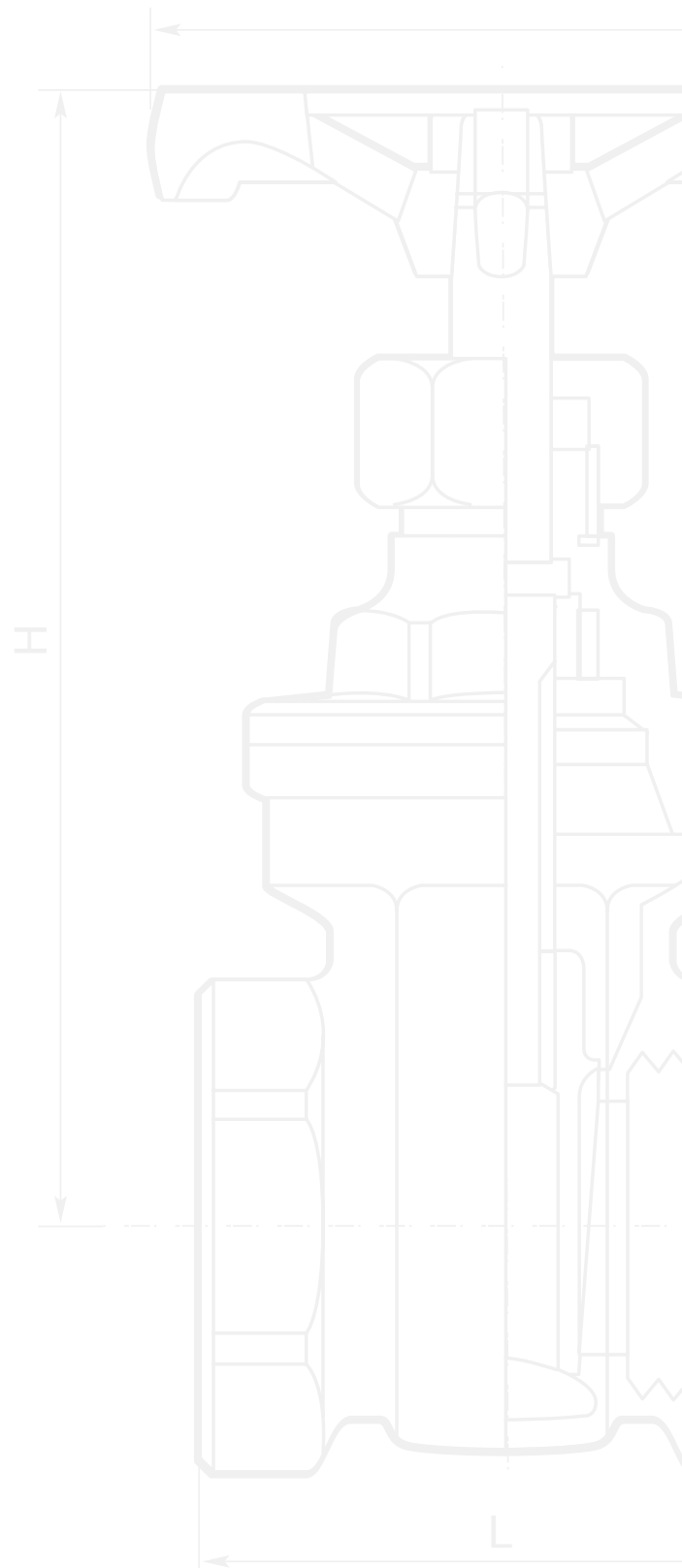


Table of Contents

02 - 29	Valves
30 - 35	Supply Stops
36 - 43	Supply Lines & Appliance Connectors
44 - 47	Flex Connect Gas & Water Connectors
48 - 49	Gas Flare Fittings
50 - 53	Pre-Solder Copper Fittings
54 - 57	Copper Push Fit
58 - 63	Brass Push Fit
64 - 71	Plastic Push Fit
72 - 73	Electro Push Fit
74 - 87	Faucets
88 - 91	Strainers & Drains
92 - 95	Floor & Shower Drains
96 - 105	Specialty Fittings
106 - 113	Accessories & Repair
114 - 117	Plumbing Tools
118 - 119	Dielectric Unions
120 - 121	Channel Drains
122 - 127	Pipe Support & Hangers
128 - 143	Malleable Fittings
144 - 157	Nipples
158 - 167	Red Brass Fittings
168 - 175	Structural Fittings
176 - 177	Structural Pipe
178 - 193	Brass Fittings & Accessories
194 - 201	Non-Metallic Tubing
204 - 224	Packaging & Certifications



TERMS OF SALE

Please visit www.bkproducts.com



VALVES

The B&K Valves are precisely engineered for outstanding service, long life and reliable performance. These valves offer easy operation, superior flow and include a wide range of water/oil/gas (WOG) valves, gas valves and water valves constructed from forged brass, CPVC and PVC materials. Valves are arranged in series reflecting the valves' performance characteristics, connection types and handle style. B&K valves are created to meet UPC and ICC plumbing code requirements and are certified to meet NSF 61 with many available in lead-free compliant versions.



BALL VALVE • BRASS • 600 PSI • FULL PORT • PREMIUM • ITALIAN
SERIES 7710



Item No.	Product Description	Inner Quantity	Master Carton Quantity
107-401NL	NO LEAD, 1/4" IPS	-	20
107-402NL	NO LEAD, 3/8" IPS	-	20
107-403NL	NO LEAD, 1/2" IPS	-	15
107-404NL	NO LEAD, 3/4" IPS	-	15
107-405NL	NO LEAD, 1" IPS	-	10
107-406NL	NO LEAD, 1-1/4" IPS	-	4
107-407NL	NO LEAD, 1-1/2" IPS	-	4
107-408NL	NO LEAD, 2" IPS	-	2
107-453NL	NO LEAD, 1/2" C X C	-	15
107-454NL	NO LEAD, 3/4" C X C	-	15
107-455NL	NO LEAD, 1" C X C	-	10
107-456NL	NO LEAD, 1-1/4" C X C	-	5
107-457NL	NO LEAD, 1-1/2" C X C	-	5
107-458NL	NO LEAD, 2" C X C	-	2



BALL VALVE • FORGED BRASS • 600 PSI NON-SHOCK • FULL PORT
NICKEL PLATED • PREMIUM • ITALIAN
SERIES 7710



Item No.	Product Description	Inner Quantity	Master Carton Quantity
107-000NL	NO LEAD, 1/8" IPS	20	200
107-001NL	NO LEAD, 1/4" IPS	20	200
107-002NL	NO LEAD, 3/8" IPS	10	100
107-003NL	NO LEAD, 1/2" IPS	10	100
107-004NL	NO LEAD, 3/4" IPS	10	100
107-005NL	NO LEAD, 1" IPS	10	50
107-006NL	NO LEAD, 1-1/4" IPS	10	20
107-007NL	NO LEAD, 1-1/2" IPS	4	20
107-008NL	NO LEAD, 2" IPS	2	10



BALL VALVE • BRASS • 600 PSI • PACKING GLAND
FULL PORT • STANDARD
SERIES 7700



Item No.	Product Description	Inner Quantity	Master Carton Quantity
107-821NL	NO LEAD, 1/4" IPS	15	120
107-822NL	NO LEAD, 3/8" IPS	15	120
107-823NL	NO LEAD, 1/2" IPS	-	20
107-824NL	NO LEAD, 3/4" IPS	-	15
107-825NL	NO LEAD, 1" IPS	-	10
107-826NL	NO LEAD, 1-1/4" IPS	4	24
107-827NL	NO LEAD, 1-1/2" IPS	2	24
107-828NL	NO LEAD, 2" IPS	2	12
107-829NL	NO LEAD, 2-1/2" IPS	2	6
107-830NL	NO LEAD, 3" IPS	2	4
107-831NL	NO LEAD, 4" IPS	-	2
107-843NL	NO LEAD, 1/2" C X C	-	25
107-844NL	NO LEAD, 3/4" C X C	-	15
107-845NL	NO LEAD, 1" C X C	-	10
107-846NL	NO LEAD, 1-1/4" C X C	4	24
107-847NL	NO LEAD, 1-1/2" C X C	2	24
107-848NL	NO LEAD, 2" C X C	2	12
107-849NL	NO LEAD, 2-1/2" C X C	2	6
107-850NL	NO LEAD, 3" C X C	2	4
107-851NL	NO LEAD, 4" C X C	-	2

VALVES



**BALL VALVE • BRASS • 600 PSI • PACKING GLAND
FULL PORT • TEE HANDLE
SERIES 7700**



Item No.	Product Description	Inner Quantity	Master Carton Quantity
107-824TNL	NO LEAD, 3/4" IPS	10	60
107-825TNL	NO LEAD, 1" IPS	8	48



**BALL VALVE • BRASS • 600 PSI • PACKING GLAND
FULL PORT • LOCKING HANDLE
SERIES 7700**



Item No.	Product Description	Inner Quantity	Master Carton Quantity
107-823LNL	NO LEAD, 1/2" IPS	15	120
107-824LNL	NO LEAD, 3/4" IPS	10	60
107-825LNL	NO LEAD, 1" IPS	8	48



**BALL VALVE • BRASS • 600 PSI • PACKING GLAND • FULL PORT • ECONOMY
SERIES 7690**



Item No.	Product Description	Inner Quantity	Master Carton Quantity
107-811NL	NO LEAD, 1/4" IPS	10	120
107-812NL	NO LEAD, 3/8" IPS	10	120
107-813NL	NO LEAD, 1/2" IPS	10	120
107-814NL	NO LEAD, 3/4" IPS	10	60
107-815NL	NO LEAD, 1" IPS	6	24
107-816NL	NO LEAD, 1-1/4" IPS	4	24
107-817NL	NO LEAD, 1-1/2" IPS	2	16
107-818NL	NO LEAD, 2" IPS	2	12
107-853NL	NO LEAD, 1/2" C X C	10	120
107-854NL	NO LEAD, 3/4" C X C	10	60
107-855NL	NO LEAD, 1" C X C	6	24
107-856NL	NO LEAD, 1-1/4" C X C	4	24
107-857NL	NO LEAD, 1-1/2" C X C	2	16
107-858NL	NO LEAD, 2" C X C	2	12



BALL VALVE • BRASS • 600 PSI • PACKING GLAND • FULL PORT • PEX CONNECTION



Item No.	Product Description	Inner Quantity	Master Carton Quantity
107-342NL	NO LEAD, 3/8" PEX	10	120
107-343NL	NO LEAD, 1/2" PEX	10	120
107-344NL	NO LEAD, 3/4" PEX	10	80
107-345NL	NO LEAD, 1" PEX	6	48
107-334NL	NO LEAD, 3/4" PEX X 3/4" MPT	10	80



BALL VALVE • FORGED BRASS • 200 PSI NON-SHOCK FULL PORT • PREMIUM • PUSH-FIT



Item No.	Product Description	Inner Quantity	Master Carton Quantity
107-063	NO LEAD 1/2" PUSH FIT	25	100
107-063HC	NO LEAD 1/2" PUSH FIT	-	12
107-064	NO LEAD 3/4" PUSH FIT	15	60
107-064HC	NO LEAD 3/4" PUSH FIT	-	12
107-065	NO LEAD 1" PUSH FIT	15	60
107-065HC	NO LEAD 1" PUSH FIT	-	6



BALL VALVE • BRASS • PEX F1960 CONNECTION- MIP X BARBED

Item No.	Product Description	Inner Quantity	Master Carton Quantity
107-314NL	NO LEAD MIP X F1960 PEX 3/4	10	80
107-315NL	NO LEAD MIP X F1960 PEX 1	6	48



BALL VALVE • BRASS • MIP X FIP



Item No.	Product Description	Inner Quantity	Master Carton Quantity
107-321NL	1/4" MIP X FIP	20	200



BALL VALVE • BRASS • 200 PSI • COMPRESSION CONNECTION



Item No.	Product Description	Inner Quantity	Master Carton Quantity
107-023NL	NO LEAD, 1/2", 5/8" OD COMP	-	12
107-023NLA	NO LEAD, 1/2", 5/8" OD COMP	6	36
107-024NL	NO LEAD, 3/4", 7/8" OD COMP	-	12
107-024NLA	NO LEAD, 3/4", 7/8" OD COMP	6	36
107-025NL	NO LEAD, 1"	6	24



STOP & WASTE BALL VALVE • FORGED BRASS • 500 PSI • FULL PORT



Item No.	Product Description	Inner Quantity	Master Carton Quantity
107-753NL	NO LEAD, 1/2" IPS	-	10
107-754NL	NO LEAD, 3/4" IPS	-	10
107-755NL	NO LEAD, 1" IPS	-	15
107-553NL	NO LEAD, 1/2" C X C	-	10
107-554NL	NO LEAD, 3/4" C X C	-	10
107-555NL	NO LEAD, 1" C X C	-	10

VALVES



BALL VALVE W/ DRAIN • COMPRESSION CONNECTION



Item No.	Product Description	Inner Quantity	Master Carton Quantity
107-043NL	NO LEAD, COMP 1/2", 5/8" OD COMP W/DRAIN	6	36
107-044NL	NO LEAD, COMP 3/4", 7/8" OD COMP W/DRAIN	6	36
107-045NL	NO LEAD, COMP 1" COMP W/DRAIN	6	24



TANKLESS WATER HEATER VALVES

Item No.	Product Description	Inner Quantity	Master Carton Quantity
102-120	TANKLESS WATER HEATER VALVE KIT	-	12
102-121	TANKLESS WATER HEATER VALVE KIT - SOFT TURN	-	12



CPVC BALL VALVE • FOR HOT OR COLD WATER • 150 PSI



Item No.	Product Description	Inner Quantity	Master Carton Quantity
107-123	1/2" (5/8" O.D.) SOLVENT	10	100
107-123HN	1/2" (5/8" O.D.) SOLVENT	-	20
107-124	3/4" (7/8" O.D.) SOLVENT	5	60
107-124HN	3/4" (7/8" O.D.) SOLVENT	-	16
107-125	1" (1-1/8" O.D.) SOLVENT	5	40
107-125HN	1" (1-1/8" O.D.) SOLVENT	-	6
107-126	1-1/4" (1-3/8" O.D.) SOLVENT	5	40
107-127	1-1/2" (1-5/8" O.D.) SOLVENT	5	30
107-128	2" (2-1/8" O.D.) SOLVENT	4	24



BALL VALVE • PVC SCHEDULE 40 • 150 PSI • NSF • SOLVENT



Item No.	Product Description	Inner Quantity	Master Carton Quantity
107-633	1/2" SOLVENT	10	100
107-633HN	1/2" SOLVENT - BLUE HANDLE	-	18
107-634	3/4" SOLVENT	5	60
107-634HC	3/4" SOLVENT - BLUE HANDLE	-	20
107-635	1" SOLVENT	5	40
107-635HC	1" SOLVENT - BLUE HANDLE	-	12
107-636	1-1/4" SOLVENT	5	30
107-636HC	1-1/4" SOLVENT - BLUE HANDLE	-	7
107-637	1-1/2" SOLVENT	4	24
107-637HC	1-1/2" SOLVENT - BLUE HANDLE	-	5
107-638	2" SOLVENT	2	16
107-638HC	2" SOLVENT	-	4
107-639	2-1/2" SOLVENT	-	12
107-640	3" SOLVENT	-	6
107-641	4" SOLVENT	-	4



BALL VALVE • PVC SCHEDULE 40 • 150 PSI • NSF • IPS



Item No.	Product Description	Inner Quantity	Master Carton Quantity
107-133	1/2" IPS	10	100
107-133HC	1/2" IPS - BLUE HANDLE	-	18
107-134	3/4" IPS	5	60
107-134HC	3/4" IPS - BLUE HANDLE	-	12
107-135	1" IPS	5	40
107-135HC	1" IPS - BLUE HANDLE	-	8
107-136	1-1/4" IPS	5	30
107-136HC	1-1/4" IPS - BLUE HANDLE	-	7
107-137	1-1/2" IPS	4	24
107-137HC	1-1/2" IPS - BLUE HANDLE	-	5
107-138	2" IPS	2	16
107-138HC	2" IPS - BLUE HANDLE	-	4
107-139	2-1/2" IPS	-	12
107-140	3" IPS	-	6
107-141	4" IPS	-	4



BALL VALVE • PVC SCHEDULE 80 GRAY • 150 PSI • SOLVENT



Item No.	Product Description	Inner Quantity	Master Carton Quantity
107-603	1/2" SOLVENT	10	100
107-604	3/4" SOLVENT	5	60
107-605	1" SOLVENT	5	40
107-606	1-1/4" SOLVENT	5	30
107-607	1-1/2" SOLVENT	4	24
107-608	2" SOLVENT	2	16



BALL VALVE • PVC SCHEDULE 80 GRAY • 150 PSI • IPS



Item No.	Product Description	Inner Quantity	Master Carton Quantity
107-103	1/2" IPS	10	100
107-104	3/4" IPS	5	60
107-105	1" IPS	5	40
107-106	1-1/4" IPS	5	30
107-107	1-1/2" IPS	4	24
107-108	2" IPS	2	16



GAS BALL VALVE • ONE PIECE BODY • ITALIAN • LEVER HANDLE



Item No.	Product Description	Inner Quantity	Master Carton Quantity
110-522	3/8" LEVER SHORT	10	100
110-522HC	3/8" LEVER SHORT	-	10
110-523	1/2" LEVER SHORT	10	100
110-523HC	1/2" LEVER SHORT	-	30
110-524	3/4" LEVER SHORT	10	100
110-524HC	3/4" LEVER SHORT	-	20



GAS BALL VALVE • ONE PIECE BODY • ITALIAN • TEE HANDLE



Item No.	Product Description	Inner Quantity	Master Carton Quantity
111-523	1/2" TEE	10	100
111-524	3/4" TEE	10	100
111-525	1" TEE	6	30



GAS BALL VALVE • ONE PIECE BODY • ITALIAN • SQUARE HEAD



Item No.	Product Description	Inner Quantity	Master Carton Quantity
113-523	1/2" FLAT/SQ HEAD	10	100
113-523HN	1/2" FLAT/SQ HEAD	-	12
113-524	3/4" FLAT/SQ HEAD	10	100
113-524HN	3/4" FLAT/SQ HEAD	-	10
113-525	1" FLAT/SQ HEAD	6	30
113-526	1-1/4" FLAT/SQ HEAD	4	20



GAS BALL VALVE • SIDE TAP • ITALIAN



Item No.	Product Description	Inner Quantity	Master Carton Quantity
110-553	1/2" IPS	10	100
110-554	3/4" IPS	10	100
110-555	1" IPS	6	30



GAS BALL VALVE • TWO PIECE BODY • ITALIAN • LEVER HANDLE



Item No.	Product Description	Inner Quantity	Master Carton Quantity
110-122	3/8" IPS	10	100
110-123HC	1/2" IPS	-	20
110-124HC	3/4" IPS	-	10
110-125	1" IPS	6	30
110-125HC	1" IPS	-	10



GAS BALL VALVE • TWO PIECE BODY • LEVER HANDLE



Item No.	Product Description	Inner Quantity	Master Carton Quantity
110-222	3/8" IPS	10	100
110-223C	1/2" IPS	10	100
110-223HC	1/2" IPS	-	30
110-224C	3/4" IPS	10	100
110-224HC	3/4" IPS	-	20
110-225	1" IPS	6	36



GAS BALL VALVE • TWO PIECE BODY • ITALIAN • TEE HANDLE



Item No.	Product Description	Inner Quantity	Master Carton Quantity
111-123HC	1/2" IPS	-	25
111-124HC	3/4" IPS	-	25



GAS BALL VALVE • ONE PIECE BODY • SUREOFF TAMPER RESISTANT HANDLE • ITALIAN



Item No.	Product Description	Inner Quantity	Master Carton Quantity
214-522RP	SURE OFF 3/8 X 1/2 FLXF CLAM SHELL PK	-	15
214-523RP	SURE OFF 1/2 FLXF CLAM SHELL PK	-	15
214-524RP	SURE OFF 15/16X3/4 FLXF CLAM SHELL PK	-	10



GAS BALL VALVE • ONE PIECE BODY • SUREOFF TAMPER RESISTANT HANDLE • ITALIAN



Item No.	Product Description	Inner Quantity	Master Carton Quantity
216-502RP	SURE OFF 3/8 FLXFL CLAM SHELL PK	-	15
216-503RP	SURE OFF 1/2 FLXFL CLAM SHELL PK	-	15
216-504RP	SURE OFF 5/8 FLXFL CLAM SHELL PK	-	10



GAS BALL VALVE • ONE PIECE BODY • SUREOFF TAMPER RESISTANT HANDLE • ITALIAN



Item No.	Product Description	Inner Quantity	Master Carton Quantity
210-522RP	3/8" LEVER SHORT - SAFETY HANDLE - CLAM SHELL PK	-	15
210-523HC	1/2" LEVER SHORT - SAFETY HANDLE	-	30
210-523RP	1/2" LEVER SHORT - SAFETY HANDLE - CLAM SHELL PK	-	15
210-524HC	3/4" LEVER SHORT - SAFETY HANDLE	-	20
210-524RP	3/4" LEVER SHORT - SAFETY HANDLE - CLAM SHELL PK	-	16



GAS FLARE VALVE • BALL VALVE TYPE



Item No.	Product Description	Inner Quantity	Master Carton Quantity
116-552	3/8" FLARE X FLARE, SIDE TAP	10	100
116-553	1/2" FLARE X FLARE, SIDE TAP	10	100
116-502	3/8" FLARE X FLARE	10	100
116-503	1/2" FLARE X FLARE	10	100
116-504	5/8" FLARE X FLARE	10	100
116-512	3/8" FLARE X 1/2" MIP	10	100
116-513	3/8" FLARE X 1/2" MIP	10	100
114-533	3/8" FLARE X 1/2" FIP, ANGLE	10	100
114-534	15/16" FLARE X 3/4" FIP, ANGLE	10	100



GAS FLARE VALVE • BALL VALVE TYPE



Item No.	Product Description	Inner Quantity	Master Carton Quantity
114-522	3/8" FLARE X 1/2" FIP, STRAIGHT	10	100
114-523	1/2" FLARE X 1/2" FIP, STRAIGHT	10	100
114-544	1/2" FLARE X 3/4" FIP, STRAIGHT	10	100
114-543	15/16" FLARE X 1/2" FIP, STRAIGHT	10	100
114-524	15/16" FLARE X 3/4" FIP, STRAIGHT	10	100



GAS HEATER VALVE • FOR 3/8" TUBE



Item No.	Product Description	Inner Quantity	Master Carton Quantity
117-592	9/16"-24 X 1/2" FINE THREAD FLARE	10	100



TEXAS PATTERN GAS COCK • FORGED BRASS



Item No.	Product Description	Inner Quantity	Master Carton Quantity
115-503	1/2" (1/2" X 1/8")	10	100



LOG LIGHTER VALVE WITH KEY



Item No.	Product Description	Inner Quantity	Master Carton Quantity
118-001	1/2" STRAIGHT, CHROME PLATED	-	25
118-001RP	1/2" STRAIGHT, CHROME PLATED CLAM SHELL PK	-	8
118-002	1/2" ANGLE, CHROME PLATED	-	25
118-002RP	1/2" ANGLE, CHROME PLATED CLAM SHELL PK	-	8
118-003	1/2" STRAIGHT, POLISHED BRASS	-	25
118-004	1/2" ANGLE, POLISHED BRASS	-	25



LOG LIGHTER • MIXING CHAMBER • STRAIGHT

Item No.	Product Description	Inner Quantity	Master Carton Quantity
118-021RP	1/2" FIP X 18"	-	4



LOG LIGHTER • MIXING CHAMBER • ANGLE

Item No.	Product Description	Inner Quantity	Master Carton Quantity
118-022RP	1/2" FIP X 18"	-	4



LOG LIGHTER • MIXING CHAMBER • TEE

Item No.	Product Description	Inner Quantity	Master Carton Quantity
118-025RP	1/2" FIP X 18"	-	4



REPLACEMENT PARTS - UNIVERSAL GAS VALVE KEY

Item No.	Product Description	Inner Quantity	Master Carton Quantity
888-856RP	3" GAS VALVE KEY 1/4" & 5/16" SOCKET CHROME	-	16
888-857RP	8" GAS VALVE KEY 1/4" & 5/16" SOCKET CHROME	-	8
888-858RP	3" GAS VALVE KEY 1/4" & 5/16" SOCKET POLISHED BRASS	-	16
888-859RP	8" GAS VALVE KEY 1/4" & 5/16" SOCKET POLISHED BRASS	-	8
888-860RP	3" GAS VALVE KEY 1/4" & 5/16" SOCKET BLACK	-	16
888-861RP	8" GAS VALVE KEY 1/4" & 5/16" SOCKET BLACK	-	8



SADDLE VALVE

Item No.	Product Description	Inner Quantity	Master Carton Quantity
993-004NL	NO LEAD SELF PIERCING SADDLE VALVE	-	50
993-014NL	NO LEAD STANDARD SADDLE VALVE	50	250



GATE VALVE • BRASS • SCREW OVER BONNET • 125 WSP • 250 WOG • HEAVY DUTY



Item No.	Product Description	Inner Quantity	Master Carton Quantity
100-202NL	NO LEAD, 3/8" IPS (SCREW IN STYLE)	10	100
100-203NL	NO LEAD, 1/2" IPS	10	100
100-204NL	NO LEAD, 3/4" IPS	5	60
100-205NL	NO LEAD, 1" IPS	5	40
100-206NL	NO LEAD, 1-1/4" IPS	5	30
100-207NL	NO LEAD, 1-1/2" IPS	4	20
100-208	2" IPS, STANDARD BRASS	2	16
100-703NL	NO LEAD, 1/2" C X C	10	100
100-704NL	NO LEAD, 3/4" C X C	5	60
100-705NL	NO LEAD, 1" C X C	5	40



GATE VALVE • BRASS • NON RISING STEM • 125 WSP • 200 WOG



Item No.	Product Description	Inner Quantity	Master Carton Quantity
100-001NL	NO LEAD, 1/4" IPS	10	100
100-002NL	NO LEAD, 3/8" IPS	10	100
100-003NL	NO LEAD, 1/2" IPS	10	100
100-004NL	NO LEAD, 3/4" IPS	5	60
100-005NL	NO LEAD, 1" IPS	5	40
100-006NL	NO LEAD, 1-1/4" IPS	5	30
100-007NL	NO LEAD, 1-1/2" IPS	4	24
100-008NL	NO LEAD, 2" IPS	2	16
100-009	2-1/2" IPS, STANDARD BRASS	2	8

VALVES



GATE VALVE • BRASS • NON RISING STEM • 125 WSP • 200 WOG



Item No.	Product Description	Inner Quantity	Master Carton Quantity
100-010	3" IPS, STANDARD BRASS	1	6
100-011	4" IPS, STANDARD BRASS	-	3
100-502NL	NO LEAD, 3/8" C X C	10	100
100-503NL	NO LEAD, 1/2" C X C	10	100
100-504NL	NO LEAD, 3/4" C X C	5	60
100-505NL	NO LEAD, 1" C X C	5	40
100-506NL	NO LEAD, 1-1/4" C X C	5	30
100-507NL	NO LEAD, 1-1/2" C X C	4	24
100-508NL	NO LEAD, 2" C X C	2	16



GATE VALVE • BRASS • COMPACT PATTERN • 125 WSP • 150 WOG



Item No.	Product Description	Inner Quantity	Master Carton Quantity
100-403NL	NO LEAD, 1/2" IPS	-	15
100-404NL	NO LEAD, 3/4" IPS	-	10
100-405NL	NO LEAD, 1" IPS	-	5
100-406NL	NO LEAD, 1-1/4" IPS	-	4
100-407NL	NO LEAD, 1-1/2" IPS	-	4
100-408HC	2" IPS, STANDARD BRASS	-	4
100-453NL	NO LEAD, 1/2" C X C	-	15
100-454NL	NO LEAD, 3/4" C X C	-	10
100-455NL	NO LEAD, 1" C X C	-	4



GATE VALVE • BRASS • COMPRESSION • 200 WOG



Item No.	Product Description	Inner Quantity	Master Carton Quantity
100-803NL	NO LEAD, 1/2" (5/8" O.D.) COMP. CONNECTION	6	48
100-804NL	NO LEAD, 3/4" (7/8" O.D.) COMP. CONNECTION	4	32



GATE VALVE • PVC SCHEDULE 80 GRAY



Item No.	Product Description	Inner Quantity	Master Carton Quantity
100-103	1/2" IPS	-	24
100-104	3/4" IPS	-	20
100-105	1" IPS	-	16
100-106	1-1/4" IPS	-	8
100-107	1-1/2" IPS	-	6
100-108	2" IPS	-	4
100-603	1/2" SOLVENT	-	24
100-604	3/4" SOLVENT	-	20
100-605	1" SOLVENT	-	16
100-606	1-1/4" SOLVENT	-	8
100-607	1-1/2" SOLVENT	-	6
100-608	2" SOLVENT	-	4



STOP VALVE • BRASS • HEAVY DUTY PATTERNS



Item No.	Product Description	Inner Quantity	Master Carton Quantity
105-083NL	NO LEAD, 1/2" IPS STOP	-	8
105-084NL	NO LEAD, 3/4" IPS STOP	-	8
105-583NL	NO LEAD, 1/2" C X C STOP	-	12
105-584NL	NO LEAD, 3/4" C X C STOP	-	12



STOP & WASTE VALVE • BRASS • HEAVY DUTY PATTERNS



Item No.	Product Description	Inner Quantity	Master Carton Quantity
105-183NL	NO LEAD, 1/2" IPS STOP & WASTE	-	12
105-184NL	NO LEAD, 3/4" IPS STOP & WASTE	-	12
105-683NL	NO LEAD, 1/2" C X C STOP & WASTE	-	12
105-684NL	NO LEAD, 3/4" C X C STOP & WASTE	-	12



STOP VALVE • BRASS



Item No.	Product Description	Inner Quantity	Master Carton Quantity
105-003NL	NO LEAD, 1/2" IPS STOP	-	20
105-004NL	NO LEAD, 3/4" IPS STOP	-	16
105-503NL	NO LEAD, 1/2" C X C STOP	-	16
105-504NL	NO LEAD, 3/4" C X C STOP	-	16



STOP & WASTE VALVE • BRASS



Item No.	Product Description	Inner Quantity	Master Carton Quantity
105-103NL	NO LEAD, 1/2" IPS STOP & WASTE	-	20
105-104NL	NO LEAD, 3/4" IPS STOP & WASTE	-	16
105-603NL	NO LEAD, 1/2" C X C STOP & WASTE	-	16
105-604NL	NO LEAD, 3/4" C X C STOP & WASTE	-	16



STOP VALVE • BRASS • COMPRESSION CONNECTION



Item No.	Product Description	Inner Quantity	Master Carton Quantity
105-513NL	NO LEAD, 1/2" (5/8" O.D.) STOP	12	72
105-514NL	NO LEAD, 3/4" (7/8" O.D.) STOP	6	36



STOP & WASTE VALVE • BRASS • COMPRESSION CONNECTION



Item No.	Product Description	Inner Quantity	Master Carton Quantity
105-613NL	NO LEAD, 1/2" (5/8" O.D.) STOP & WASTE	-	16
105-614NL	NO LEAD, 3/4" (7/8" O.D.) STOP & WASTE	6	36

VALVES



GLOBE VALVE



Item No.	Product Description	Inner Quantity	Master Carton Quantity
106-001NL	NO LEAD, 1/4" IPS	10	100
106-002NL	NO LEAD, 3/8" IPS	10	100
106-003NL	NO LEAD, 1/2" IPS	10	100
106-004NL	NO LEAD, 3/4" IPS	5	60
106-005NL	NO LEAD, 1" IPS	5	40
106-006NL	NO LEAD, 1-1/4" IPS	5	30
106-007NL	NO LEAD, 1-1/2" IPS	4	24



STOP VALVE • ACETAL • 150 PSI

Item No.	Product Description	Inner Quantity	Master Carton Quantity
105-023	1/2" FIP	12	72
105-023HC	1/2" FIP	-	25
105-024	3/4" FIP	12	72
105-024HC	3/4" FIP	-	24



STOP & WASTE VALVE • ACETAL • 150 PSI



Item No.	Product Description	Inner Quantity	Master Carton Quantity
105-123	1/2" FIP	12	72
105-124	3/4" FIP	12	72
105-124HC	3/4" FIP	-	24



STOP VALVE • CPVC • 100 PSI



Item No.	Product Description	Inner Quantity	Master Carton Quantity
105-223	1/2" SOLVENT	12	72
105-223HN	1/2" SOLVENT	-	18
105-224	3/4" SOLVENT	12	72
105-224HN	3/4" SOLVENT	-	15



STOP & WASTE VALVE • CPVC • 100 PSI



Item No.	Product Description	Inner Quantity	Master Carton Quantity
105-323	1/2" SOLVENT	12	72
105-323HN	1/2" SOLVENT	-	20
105-324	3/4" SOLVENT	12	72
105-324HN	3/4" SOLVENT	-	20



STOP VALVE • PVC • 100 PSI



Item No.	Product Description	Inner Quantity	Master Carton Quantity
105-403	1/2" SOLVENT	12	72
105-403HC	1/2" SOLVENT	-	25
105-404	3/4" SOLVENT	12	72
105-404HC	3/4" SOLVENT	-	25



STOP VALVE • PVC • 100 PSI



Item No.	Product Description	Inner Quantity	Master Carton Quantity
105-413	1/2" SOLVENT	12	72
105-414	3/4" SOLVENT	12	72



BOILER DRAIN • BRASS • HEAVY DUTY

Item No.	Product Description	Inner Quantity	Master Carton Quantity
102-703	1/2" MIP	12	72
102-703HN	1/2" MIP	-	20
102-704	3/4" MIP & 1/2" FIP	12	72
102-704HC	3/4" MIP & 1/2" FIP	-	18
102-803	1/2" FIP	12	72
102-803HC	1/2" FIP	-	30
102-804	3/4" FIP	12	72
102-804HC	3/4" FIP	-	30



BOILER DRAIN • BRASS • QUARTER TURN • QUARTER MASTER®



Item No.	Product Description	Inner Quantity	Master Carton Quantity
102-053HN	1/2" MIP AND 1/2" SOLDER	-	20
102-054HN	3/4" MIP AND 1/2" FIP	-	15



BOILER DRAIN • BRASS • STANDARD



Item No.	Product Description	Inner Quantity	Master Carton Quantity
102-003	1/2" MIP	12	72
102-003NL	NO LEAD, 1/2" MIP	12	72
102-004	3/4" MIP	12	72
102-004NL	NO LEAD, 3/4" MIP	12	72
102-103	1/2" FIP	12	72
102-103HC	1/2" FIP	-	20
102-103NL	NO LEAD, 1/2" FIP	12	72
102-104	3/4" FIP	12	72
102-104HN	3/4" FIP	-	15
102-104NL	NO LEAD, 3/4" FIP	12	72
102-903	1/2" MPS / CTS	12	72
102-903A	1/2" MPS / CTS	12	72

VALVES



BOILER DRAIN • BRASS • STANDARD



Item No.	Product Description	Inner Quantity	Master Carton Quantity
102-013	1/2" PEX	12	72
102-014	3/4" PEX	12	72



BOILER DRAIN • BRASS • COMPRESSION INLET



Item No.	Product Description	Inner Quantity	Master Carton Quantity
102-033	1/2" (5/8" O.D.) COMPRESSION INLET	12	72
102-034	3/4" (7/8" O.D.) COMPRESSION INLET	12	72



BOILER DRAIN • CPVC • 100 PSI



Item No.	Product Description	Inner Quantity	Master Carton Quantity
102-223	1/2" SOLVENT	12	72
102-223HN	1/2" SOLVENT	-	12
102-224	3/4" SOLVENT	12	72
102-224HN	3/4" SOLVENT	-	12



BOILER DRAIN • ACETAL • 150 PSI

Item No.	Product Description	Inner Quantity	Master Carton Quantity
102-503	1/2" MIP	12	72
102-503HC	1/2" MIP	-	25
102-504	3/4" MIP	12	72
102-504HC	3/4" MIP	-	25
102-603	1/2" FIP	12	72
102-604	3/4" FIP	12	72



METER VALVE • BRASS



Item No.	Product Description	Inner Quantity	Master Carton Quantity
105-774NL	NO LEAD, 3/4" X 3/4" W/DRAIN	-	6



METER COUPLING • BRASS



Item No.	Product Description	Inner Quantity	Master Carton Quantity
105-783NL	NO LEAD, 1/2"	10	100
105-784NL	NO LEAD, 3/4"	10	100
105-785NL	NO LEAD, 1"	10	100



WATER HEATER DRAIN VALVE • BRASS

Item No.	Product Description	Inner Quantity	Master Carton Quantity
102-816	3/4" X 1-1/4" SHANK LENGTH	12	72
102-817	3/4" X 2-1/4" SHANK LENGTH	12	72



WASHING MACHINE VALVE • BRASS • CHROME PLATED

Item No.	Product Description	Inner Quantity	Master Carton Quantity
102-201	1/2" (5/8" O.D. COMPRESSION)	12	72
102-201HN	1/2" (5/8" O.D. COMPRESSION)	-	12
102-202	1/2" TOP OPERATED	12	72
102-202HC	1/2" TOP OPERATED	-	24
102-203	1/2" FRONT OPERATED	12	72
102-203HN	1/2" FRONT OPERATED	-	12
102-204	1/2" IN-LINE BYPASS	6	72
102-205	1/2" IN-LINE REVERSIBLE BYPASS	6	72



DUAL WASHING MACHINE VALVE • BRONZE

Item No.	Product Description	Inner Quantity	Master Carton Quantity
102-207	1/2" IPS (BOXED)	-	24
102-207HC	1/2" IPS (BOXED)	-	5



WASHING MACHINE VALVE • BRASS • CHROME PLATED • QUARTER TURN

Item No.	Product Description	Inner Quantity	Master Carton Quantity
102-209	1/2" HOT RED HANDLE	10	60
102-210	1/2" COLD BLUE HANDLE	10	60



HOSE BIBB • BRASS • HEAVY DUTY



Item No.	Product Description	Inner Quantity	Master Carton Quantity
103-013	1/2" IPS OR CXC	12	72
103-014	3/4" IPS	12	72



HOSE BIBB • STANDARD • FORGED BRASS



Item No.	Product Description	Inner Quantity	Master Carton Quantity
103-003	1/2" MIP	12	72
103-003NL	NO LEAD 1/2" MIP	-	25
103-003HC	1/2" MIP	-	25
103-004	3/4" MIP	12	72

VALVES



HOSE BIBB • STANDARD • FORGED BRASS

Item No.	Product Description	Inner Quantity	Master Carton Quantity
103-004NL	NO LEAD 3/4" MIP	-	25
103-004HC	3/4" MIP	-	25



HOSE BIBB • BRASS • QUARTER TURN



Item No.	Product Description	Inner Quantity	Master Carton Quantity
103-053HN	1/2" MIP OR 1/2" SOLDER	-	20
103-054HN	3/4" MIP OR 1/2" FIP	-	15



HOSE BIBB • FORGED BRASS • BALL VALVE TYPE • QUARTER TURN



Item No.	Product Description	Inner Quantity	Master Carton Quantity
103-023	1/2" IPS OR CXC	10	100
103-023HC	1/2" IPS OR CXC	-	20
103-024	3/4" IPS	10	100



HOSE BIBB • ACETAL • 150 PSI

Item No.	Product Description	Inner Quantity	Master Carton Quantity
103-203	1/2" MIP X MHT	12	72
103-203HN	1/2" MIP X MHT	-	20
103-204	3/4" MIP X MHT	12	72
103-204HN	3/4" MIP X MHT	-	20
103-303	1/2" MIP X MHT - NO KINK	12	72
103-303HC	1/2" MIP X MHT - NO KINK	-	20
103-304	3/4" MIP X MHT - NO KINK	12	72
103-304HC	3/4" MIP X MHT - NO KINK	-	24



HOSE BIBB • NO KINK • BRASS • QUARTER TURN



Item No.	Product Description	Inner Quantity	Master Carton Quantity
102-353HN	1/2" MIP AND 1/2" SOLDER	-	12
102-354HN	3/4" MIP	-	12
102-453HN	1/2" FIP	-	12
102-454HN	3/4" FIP	-	12



HOSE BIBB • NO KINK • BRASS • FINE THREAD COMPRESSION

Item No.	Product Description	Inner Quantity	Master Carton Quantity
102-463HC	VLV HOSE NO KNK COMP 1/2	-	12



HOSE BIBB • BRASS • NO KINK



Item No.	Product Description	Inner Quantity	Master Carton Quantity
102-303	1/2" MIP	12	72
102-303HC	1/2" MIP	-	24
102-304	3/4" MIP	12	72
102-304HC	3/4" MIP	-	24
102-403	1/2" FIP	12	72
102-403HC	1/2" FIP	-	24
102-404	3/4" FIP	12	72
102-404HC	3/4" FIP	-	20
102-534	1/2" OR 3/4" C X C	12	72
102-534HC	1/2" OR 3/4" C X C	-	16
102-363HC	1/2" COMPRESSION CONNECTION	-	12



HOSE BIBB • BRASS • NO KINK • INCLUDES LOOSE KEY



Item No.	Product Description	Inner Quantity	Master Carton Quantity
102-333HC	1/2" MIP OR CXC	-	12
102-334HC	3/4" MIP	-	12
102-433HC	1/2" FIP	-	12
102-434HC	3/4" FIP	-	12



HOSE BIBB • HANDLE • DUMBELL HANDLE

Item No.	Product Description	Inner Quantity	Master Carton Quantity
888-120HC	HANDLE	-	30



HOSE BIBB • LOOSE KEY

Item No.	Product Description	Inner Quantity	Master Carton Quantity
888-137RP	LOOSE KEY	10	100



FLOWLOCK • HOSE END LOCKING DEVICE

Item No.	Product Description	Inner Quantity	Master Carton Quantity
103-501RM	3/4", BOXES KEYED DIFFERENTLY	-	8
103-501RP	3/4", BOXES KEYED ALIKE	-	8

VALVES



GARDEN VALVE • BRASS



Item No.	Product Description	Inner Quantity	Master Carton Quantity
108-103	1/2" BENT NOSE	12	72
108-103HN	1/2" BENT NOSE	-	10
108-104	3/4" BENT NOSE	12	72
108-104HC	3/4" BENT NOSE	-	12
108-105	1" BENT NOSE	12	72
108-124	3/4" INVERTED	12	72
108-133HN	1/2" BENT NOSE, LOOSE KEY	-	12
108-134HN	3/4" BENT NOSE, LOOSE KEY	-	12
108-135HN	1" BENT NOSE, LOOSE KEY	-	6
108-199HN	LOOSE KEY HANDLE	-	10



SILLCOCK • BRASS • QUARTER TURN



Item No.	Product Description	Inner Quantity	Master Carton Quantity
108-053HN	1/2" FIP	-	15
108-054HN	3/4" FIP	-	12
108-553HN	3/4" AND 1/2" SOLDER	-	15



SILLCOCK • BRASS • HEAVY DUTY WITH LOCKSHIELD



Item No.	Product Description	Inner Quantity	Master Carton Quantity
108-013	1/2" FIP	12	72
108-014	3/4" FIP	12	72



SILLCOCK • ACETAL • 150 PSI

Item No.	Product Description	Inner Quantity	Master Carton Quantity
108-203HC	1/2" FIP	12	72
108-203HC	1/2" FIP	-	20
108-204	3/4" FIP	12	72



SILLCOCK • BRASS



Item No.	Product Description	Inner Quantity	Master Carton Quantity
108-003	1/2" FIP	12	72
108-003HC	1/2" FIP	-	16
108-003NL	NO LEAD, 1/2" FIP	12	72
108-004	3/4" FIP	12	72
108-004HN	3/4" FIP	-	12
108-004NL	NO LEAD, 3/4" FIP	12	72
108-503	1/2" OR 3/4" C X C	12	72
108-503HC	1/2" OR 3/4" C X C	-	12



SILLCOCK • LOOSE KEY



Item No.	Product Description	Inner Quantity	Master Carton Quantity
108-033HC	1/2" FIP	-	8
108-034HC	3/4" FIP	-	8



WHEEL HANDLE • CAST IRON • FIT MOST B&K® VALVES (EXCEPT FROST FREE SILLCOCKS)

Item No.	Product Description	Inner Quantity	Master Carton Quantity
888-001HN	1/8-3/4	-	25
888-002	1"	5	100
888-003	1-1/4", 1-1/2"	5	100
888-004	2"	5	50



VACUUM BREAKER • BRASS • BACK FLOW PREVENTER • ASSE APPROVED



Item No.	Product Description	Inner Quantity	Master Carton Quantity
108-904	3/4" BRASS	6	72
108-904HN	3/4" BRASS (BOXED)	-	15
108-904RP	NO LEAD, 3/4" BRASS (RETAIL PACK)	6	48
108-904NL	NO LEAD, 3/4" BRASS (BOXED)	6	72



FROST FREE SILLCOCK • BRASS LOCKSHIELD • CHROME



Item No.	Product Description	Inner Quantity	Master Carton Quantity
104-401	4" X 1/2" MALE OR 1/2" SOLDER	-	24
104-402	6" X 1/2" MALE OR 1/2" SOLDER	-	24
104-403	8" X 1/2" MALE OR 1/2" SOLDER	-	24
104-404	10" X 1/2" MALE OR 1/2" SOLDER	-	24
104-405	12" X 1/2" MALE OR 1/2" SOLDER	-	24
104-406	14" X 1/2" MALE OR 1/2" SOLDER	-	24
104-411	4" X 3/4" MIP & 1/2" FIP	-	24
104-412	6" X 3/4" MIP & 1/2" FIP	-	24
104-413	8" X 3/4" MIP & 1/2" FIP	-	24
104-414	10" X 3/4" MIP & 1/2" FIP	-	24
104-415	12" X 3/4" MIP & 1/2" FIP	-	24



FROST FREE SILLCOCK REPAIR PARTS FOR PARTS 104-401-104-415

Item No.	Product Description	Inner Quantity	Master Carton Quantity
888-560	4" STEM ASSEMBLY	-	15
888-561	6" STEM ASSEMBLY	-	15
888-562	8" STEM ASSEMBLY	-	10
888-563	10" STEM ASSEMBLY	-	10
888-564	12" STEM ASSEMBLY	-	10



FROST FREE SILLCOCK REPAIR PARTS FOR PARTS 104-401-104-415

Item No.	Product Description	Inner Quantity	Master Carton Quantity
888-565	14" STEM ASSEMBLY	-	10
888-184	HANDLE	5	100
888-009	SCREW	10	500



FROST FREE SILLCOCK • BRASS • ANTI-SIPHON LOCKSHIELD CHROME • ASSE



Item No.	Product Description	Inner Quantity	Master Carton Quantity
104-511	4" X 1/2" MALE OR 1/2" SOLDER	-	24
104-513	6" X 1/2" MALE OR 1/2" SOLDER	-	24
104-515	8" X 1/2" MALE OR 1/2" SOLDER	-	24
104-517	10" X 1/2" MALE OR 1/2" SOLDER	-	24
104-519	12" X 1/2" MALE OR 1/2" SOLDER	-	24
104-521HC	14" X 1/2" MALE OR 1/2" SOLDER	-	5
104-615HC	8" X 3/4" MIP OR 1/2" FIP	-	6
104-617HC	10" X 3/4" MIP OR 1/2" FIP	-	6
104-619HC	12" X 3/4" MIP OR 1/2" FIP	-	6



FROST FREE SILLCOCK REPAIR PARTS FOR PARTS 104-511-104-619HC

Item No.	Product Description	Inner Quantity	Master Carton Quantity
888-554	4" STEM ASSEMBLY	-	10
888-555	6" STEM ASSEMBLY	-	10
888-556	8" STEM ASSEMBLY	-	10
888-557	10" STEM ASSEMBLY	-	10
888-558	12" STEM ASSEMBLY	-	10
888-559	14" STEM ASSEMBLY	-	10
888-566	SPRING & WASHER	-	20



FROST FREE SILLCOCK • BRASS • ANTI-SIPHON • QUARTER TURN • CHROME



Item No.	Product Description	Inner Quantity	Master Carton Quantity
104-821HC	4" X 1/2" MALE OR 1/2" SOLDER	-	10
104-823HC	6" X 1/2" MALE OR 1/2" SOLDER	-	8
104-825HC	8" X 1/2" MALE OR 1/2" SOLDER	-	10
104-827HC	10" X 1/2" MALE OR 1/2" SOLDER	-	10
104-829HC	12" X 1/2" MALE OR 1/2" SOLDER	-	10
104-831HC	14" X 1/2" MALE OR 1/2" SOLDER	-	5



**FROST FREE SILLCOCK • BRASS • ANTI-SIPHON
PUSH-FIT • QUARTER TURN • CHROME**



Item No.	Product Description	Inner Quantity	Master Carton Quantity
104-791HC	4" X 1/2" PF - 1/4 TURN	-	10
104-793HC	6" X 1/2" PF - 1/4 TURN	-	8
104-795HC	8" X 1/2" PF - 1/4 TURN	-	10
104-797HC	10" X 1/2" PF - 1/4 TURN	-	10
104-799HC	12" X 1/2" PF - 1/4 TURN	-	10



**FROST FREE SILLCOCK • BRASS • ANTI-SIPHON
PEX CONNECTION • QUARTER TURN • CHROME**



Item No.	Product Description	Inner Quantity	Master Carton Quantity
104-841HC	4" X 1/2" MALE OR PEX	-	8
104-843HC	6" X 1/2" MALE OR PEX	-	8
104-845HC	8" X 1/2" MALE OR PEX	-	10
104-847HC	10" X 1/2" MALE OR PEX	-	10
104-849HC	12" X 1/2" MALE OR PEX	-	10
104-851HC	14" X 1/2" MALE OR PEX	-	5



FROST FREE SILLCOCK REPAIR PARTS FOR PARTS 104-791HC- 104-851HC

Item No.	Product Description	Inner Quantity	Master Carton Quantity
888-570HC	4" STEM ASSEMBLY	-	100
888-571HC	6" STEM ASSEMBLY	-	100
888-572HC	8" STEM ASSEMBLY	-	50
888-573HC	10" STEM ASSEMBLY	-	50
888-574HC	12" STEM ASSEMBLY	-	50
888-575HC	14" STEM ASSEMBLY	-	50
888-576HC	VACUUM BREAKER	-	75
888-576RP	VACUUM BREAKER-CARDED PACKAGING	-	5
888-577HC	HANDLE	-	100



DRAIN CAP

Item No.	Product Description	Inner Quantity	Master Carton Quantity
888-209HC	SMALL	-	30
888-352	LARGE	10	100
888-221RP	MULTI-SIZE PACK	10	80



REPLACEMENT HANDLE

Item No.	Product Description	Inner Quantity	Master Carton Quantity
888-738	QUARTERMASTER™ FROST FREE HANDLE	-	100



FROST FREE SILLCOCK REPAIR PARTS • BRASS • ANTI-SIPHON • QUARTER TURN • CHROME • FOR PARTS 104-841HC-104-581HC

Item No.	Product Description	Inner Quantity	Master Carton Quantity
889-557	FROST FREE REPAIR KIT 6 STEM & CARTRIDGE	-	20
889-558	FROST FREE REPAIR KIT 8 STEM & CARTRIDGE	1	20
889-560	FROST FREE REPAIR KIT 12 STEM & CARTRIDGE	1	20
889-561	FROST FREE REPAIR KIT 14 STEM & CARTRIDGE	-	20



GROUND KEY STOP & DRAIN VALVE • BRONZE



Item No.	Product Description	Inner Quantity	Master Carton Quantity
105-903NL	NO LEAD, 1/2" IPS	6	36
105-904NL	NO LEAD, 3/4" IPS	6	36
105-905NL	NO LEAD, 1" IPS	4	24



SWING CHECK VALVE • "Y" PATTERN • BRONZE

Item No.	Product Description	Inner Quantity	Master Carton Quantity
101-203	1/2" IPS	10	120
101-204	3/4" IPS	10	80
101-205	1" IPS	10	60
101-206	1-1/4" IPS	5	30
101-207	1-1/2" IPS	4	24
101-208	2" IPS	2	16
101-703	1/2" C X C	10	120
101-704	3/4" C X C	10	80
101-705	1" C X C	10	60
101-706	1-1/4" C X C	5	30
101-707	1-1/2" C X C	4	24
101-708	2" C X C	2	16



SWING CHECK VALVE • BRASS • HARD SEAT • 200 PSI



Item No.	Product Description	Inner Quantity	Master Carton Quantity
101-001NL	NO LEAD, 1/4" IPS	10	100
101-002NL	NO LEAD, 3/8" IPS	10	100
101-003NL	NO LEAD, 1/2" IPS	-	15
101-004NL	NO LEAD, 3/4" IPS	-	15
101-005NL	NO LEAD, 1" IPS	5	40
101-006NL	NO LEAD, 1-1/4" IPS	5	30
101-007NL	NO LEAD, 1-1/2" IPS	4	24
101-008NL	NO LEAD, 2" IPS	2	16
101-009NL	NO LEAD, 2-1/2" IPS	-	-
101-010NL	NO LEAD, 3" IPS	-	-
101-503NL	NO LEAD, 1/2" C X C	-	20
101-504NL	NO LEAD, 3/4" C X C	-	20
101-505NL	NO LEAD, 1" C X C	5	40



SWING CHECK VALVE • BRASS • HARD SEAT • 200 PSI



Item No.	Product Description	Inner Quantity	Master Carton Quantity
101-506NL	NO LEAD, 1-1/4" C X C	5	30
101-507NL	NO LEAD, 1-1/2" C X C	4	24
101-508NL	NO LEAD, 2" C X C	2	16
101-509NL	NO LEAD, 2-1/2" C X C		
101-510NL	NO LEAD, 3" C X C		



CHECK VALVE • BRASS • IN LINE • 200 PSI



Item No.	Product Description	Inner Quantity	Master Carton Quantity
101-303NL	NO LEAD, 1/2" IPS	-	72
101-304NL	NO LEAD, 3/4" IPS	-	48
101-305NL	NO LEAD, 1" IPS	-	36
101-306NL	NO LEAD, 1-1/4" IPS	-	24
101-307NL	NO LEAD, 1-1/2" IPS	-	15
101-308NL	NO LEAD 2" IPX	2	20
101-343NL	NO LEAD, 1/2" C X C	10	100
101-344NL	NO LEAD, 3/4" C X C	10	80
101-345NL	NO LEAD, 1" C X C	6	60
101-346NL	NO LEAD, 1-1/4" C X C	4	40
101-347NL	NO LEAD, 1-1/2" C X C	3	30
101-348NL	NO LEAD, 2" C X C	2	20



CHECK VALVE • PVC SCHEDULE 40 WHITE • 200 PSI



Item No.	Product Description	Inner Quantity	Master Carton Quantity
101-103	1/2" IPS	10	120
101-103HC	1/2" IPS	-	16
101-104	3/4" IPS	10	120
101-104HC	3/4" IPS	-	16
101-105	1" IPS	8	80
101-106	1-1/4" IPS	6	60
101-106HC	1-1/4" IPS	-	5
101-107	1-1/2" IPS	6	60
101-107HC	1-1/2" IPS	-	5
101-108	2" IPS	4	32
101-108HC	2" IPS	-	3
101-603	1/2" SOLVENT	10	120
101-603HC	1/2" SOLVENT	-	10
101-604	3/4" SOLVENT	10	120
101-604HC	3/4" SOLVENT	-	10
101-605	1" SOLVENT	8	80
101-605HC	1" SOLVENT	-	7
101-606	1-1/4" SOLVENT	6	60
101-607	1-1/2" SOLVENT	6	60
101-608	2" SOLVENT	4	32



DUAL CHECK • BACKFLOW PREVENTER • BRASS

Item No.	Product Description	Inner Quantity	Master Carton Quantity
101-404HC	CHECK DUAL IPS 3/4	-	24
101-405	CHECK DUAL IPS 1"	-	25

CHECK VALVE • BRASS • PUSH-FIT • 200 PSI

Item No.	Product Description	Inner Quantity	Master Carton Quantity
101-803HC	1/2 PF CHECK VALVE, NO LEAD	-	12
101-804HC	3/4 PF CHECK VALVE, NO LEAD	-	12
101-805HC	1 PF CHECK VALVE, NO LEAD	-	6



FOOT VALVE • BRASS



Item No.	Product Description	Inner Quantity	Master Carton Quantity
101-324NL	FOOT VALVE BRASS 3/4", NO LEAD	6	36
101-325NL	FOOT VALVE BRASS 1", NO LEAD	6	36
101-326NL	FOOT VALVE BRASS 1-1/4", NO LEAD	4	24
101-327NL	FOOT VALVE BRASS 1-1/2", NO LEAD	3	15
101-328NL	FOOT VALVE BRASS 2", NO LEAD	2	8



RADIATOR VALVE • BRASS • HEAVY DUTY

Item No.	Product Description	Inner Quantity	Master Carton Quantity
109-303	VLV RAD STEAM ANGLE 1/2	6	60
109-304	VLV RAD STEAM ANGLE 3/4	6	48
109-305	VLV RAD STEAM ANGLE 1	6	36
109-306	VLV RAD STEAM AGL 1-1/4	6	24
109-307	VLV RAD STEAM AGL 1-1/2	2	16
109-383	ELBOW NUT & TAIL PC 1/2	6	72
109-384	ELBOW NUT & TAIL PC 3/4	6	48
109-385	ELBOW NUT & TAIL PC 1	6	48
109-313	VL RAD GRAV WATER AGL1/2	6	48
109-314	VL RAD GRAV WATER AGL3/4	6	48



RADIATOR VALVE • BRASS • STEAM VENT

Item No.	Product Description	Inner Quantity	Master Carton Quantity
109-360	STM VNT ANGL ADJSTBL1/8	12	144



RADIATOR VALVE • BRASS • STEAM VENT

Item No.	Product Description	Inner Quantity	Master Carton Quantity
109-361	STEAM VENT ANGLE 1/8	12	144
109-362	STEAM VENT STRAIGHT 1/8	12	144
109-363	STEAM VENT STRAIGHT 1/4	12	144
109-364	STEAM VNT STRGHT 1/2-3/4	12	144



RADIATOR VALVE • BRASS • AUTOMATIC AIR VENT

Item No.	Product Description	Inner Quantity	Master Carton Quantity
109-370	AUTOMATIC AIR VENT 1/8	50	500
109-371	AUTOMATIC AIR VENT 1/4	50	500



L.P. GAS • REGULATOR



Item No.	Product Description	Inner Quantity	Master Carton Quantity
112-501	LP GAS CYLINDER REGULATR	-	40
112-501HC	LP GAS CYLINDER REGULATR	-	10
112-551	FISH COOKER REGULATOR	-	40



L.P. GAS CYLINDER VALVE • 3/4\"/>



Item No.	Product Description	Inner Quantity	Master Carton Quantity
112-002	VLV COPCT CYL W/OPD	10	50



OIL TANK VALVE • BOTTOM SUPPLY

Item No.	Product Description	Inner Quantity	Master Carton Quantity
109-241	VLV OIL TANK BOT 1/2X3/8	6	72



EVAPORATIVE COOLER VALVE • BRASS

Item No.	Product Description	Inner Quantity	Master Carton Quantity
102-194HC	VLV EVAPRATOR COOLER 3/4	-	12



EVAPORATIVE COOLER FLOAT VALVE • BRASS • HEAVY DUTY

Item No.	Product Description	Inner Quantity	Master Carton Quantity
109-901	VLV EVAP COOL FLOAT 1/4	20	80



DRUM & BARREL FAUCET • PLASTIC

Item No.	Product Description	Inner Quantity	Master Carton Quantity
109-203	VLV DRUM&BARREL POLY 3/4	10	100
109-213	VLV DRUM&BARREL POLY 2	-	12



DRUM & BARREL FAUCET • ZAMAC • SELF CLOSING

Item No.	Product Description	Inner Quantity	Master Carton Quantity
109-204	VLV DRUM&BARREL SELF CLO	6	72



DRUM & BARREL FAUCET • BRONZE

Item No.	Product Description	Inner Quantity	Master Carton Quantity
109-214	DRUM&BARREL BROZ 3/4"	6	36
109-224	DRUM&BAREL BROZ HE 3/4"	6	36
109-225	DRUM&BARREL BROZ 1"	4	24



B&K® - TOILET TANK ANTI-SWEAT VALVE • 3-WAY INSTALLATION: IPS, C X C & COMPRESSION

Item No.	Product Description	Inner Quantity	Master Carton Quantity
109-503	VLV TOILET ANTI-SWEAT	-	50
109-503RP	VLV TOILET ANTI-SWEAT - CLAM SHELL	-	40



B&K® - ANTISIPHON BALLCOCK

Item No.	Product Description	Inner Quantity	Master Carton Quantity
109-603RP	ANTI SIPHON BALLCOCK	-	6



FLOAT VALVE • BRONZE • 1/2" TO 3/4" IN DISPLAY BAGS • ROD THREAD

Item No.	Product Description	Inner Quantity	Master Carton Quantity
109-802	VLV FLOAT PLAIN OUTLT3/8	12	72
109-803	VLV FLOAT PLAIN OUTLT1/2	12	72



FLOAT VALVE • BRONZE • 1/2" TO 3/4" IN DISPLAY BAGS • ROD THREAD

Item No.	Product Description	Inner Quantity	Master Carton Quantity
109-804	VLV FLOAT PLAIN OUTLT 3/4	6	36
109-805	VLV FLOAT PLAIN OUTLT 1	4	24
109-806	VLV FLOAT PLN OTLT 1-1/4	2	16
109-807	VLV FLOAT PLN OTLT 1-1/2	2	12
109-808	VLV FLOAT PLAIN OUTLT 2	2	12
109-813	FLOAT THREAD OUTLET 1/2	12	72
109-814	FLOAT THREAD OUT 3/4	6	36



FLOAT ROD • NUZZLE ASSEMBLY • BRASS

Item No.	Product Description	Inner Quantity	Master Carton Quantity
109-841	1/4-20 NUZZLE ASSEMBLY	10	50
109-843	5/16-18 NUZZLE ASSEMBLY	10	50
109-845	3/8-16 NUZZLE ASSEMBLY	10	50



FLOAT ROD • BRASS

Item No.	Product Description	Inner Quantity	Master Carton Quantity
109-851	1/4-20 X 10 FLOAT ROD	5	250
109-852	1/4-20 X 12 FLOAT ROD	5	250
109-853	5/16-18 X 12 FLOAT ROD	5	50
109-855	3/8-16 X 12 FLOAT ROD	5	40



TANK FLOAT • PLASTIC

Item No.	Product Description	Inner Quantity	Master Carton Quantity
109-861	5 FLOAT PLASTIC (1/4-20)	-	12
109-862	6 FLOAT PLASTIC (1/4-20)	-	12
109-863	8 FLOAT PLASTIC(5/16-18)	-	10
109-864	8 FLOAT PLASTIC (3/8-16)	-	10



TANK FLOAT • COPPER

Item No.	Product Description	Inner Quantity	Master Carton Quantity
109-871	5 FLOAT COPPER (1/4-20)	-	12
109-872	6 FLOAT COPPER (1/4-20)	1	12



SUPPLY STOPS

Manufactured to exacting quality, B&K Supply Stops are available in a variety of designs including straight, angle, quarter turn and traditional multi-turn. Our Supply Stops are offered with a host of different connections and handle styles to support various needs and piping systems including copper, PEX, CPVC or other. These Supply Stops are designed and manufactured to provide trusted performance and longevity. Constructed of chrome-plated brass, Supply Stops are offered in lead-free compliant models and certified to NSF 61.



COMPRESSION X COMPRESSION STOPS • ANGLE

Item No.	Product Description	Inner Quantity	Master Carton Quantity
190-022HC	3/8 OD X 3/8 OD ANGLVLV-1/4 TURN CHR	-	12
190-031HC	5/8 OD X 1/4 OD ANGLVLV-1/4 TURN CHR	-	12
190-032HC	5/8 OD X 3/8 OD ANGLVLV-1/4 TURN CHR	-	16
190-033HC	5/8 OD X 1/2 OD ANGLVLV-1/4 TURN CHR	-	12
192-032HC	5/8 OD X 3/8 OD ANGLVLV-MULTI TURN CHR	-	12



COMPRESSION X SLIP-JOINT STOPS • ANGLE

Item No.	Product Description	Inner Quantity	Master Carton Quantity
190-037HC	5/8 OD X 7/16 SL ANGLVLV-7/16 SLIP 1/4 TURN CHR	-	12
192-037HC	5/8 OD X 7/16 SL ANGLVLV-7/16 SLIP MULTI TURN CHR	-	12



COMPRESSION X CPVC STOPS • ANGLE

Item No.	Product Description	Inner Quantity	Master Carton Quantity
190-732HC	3/8 OD X 1/2 CPVC ANGLVLV-1/4 TURN CHR	-	10
192-732HC	3/8 OD X 1/2 CPVC ANGLVLV-MULTI TURN CHR	-	10



COMPRESSION X FIP STOPS • ANGLE

Item No.	Product Description	Inner Quantity	Master Carton Quantity
190-222HC	3/8 OD X 3/8 FIP ANGLVLV-1/4 TURN CHR	-	12
190-231HC	1/4 OD X 1/2 FIP ANGLVLV-1/4 TURN CHR	-	12
190-232HC	3/8 OD X 1/2 FIP ANGLVLV-1/4 TURN CHR	-	16
190-233HC	1/2 OD X 1/2 FIP ANGLVLV-1/4 TURN CHR	-	12
192-122HC	3/8 OD X 3/8 FIP ANGLVLV-MULTI TURN CHR	-	12
192-132HC	3/8 OD X 1/2 FIP ANGLVLV-MULTI TURN CHR	-	12
190-300HC	3/8 OD X 1/2 FIP AKIT BN-1/4 TURN ANG W ADPTS NKL	-	10
190-301HC	3/8 OD X 1/2 FIP VB-1/4 TURN ANG W ADPTS BRZ	-	10



FIP X SLIP-JOINT STOPS • ANGLE

Item No.	Product Description	Inner Quantity	Master Carton Quantity
190-237HC	1/2 FIP X 7/16 SL ANGLVLV-1/4 TURN CHR	-	12
192-137HC	1/2 FIP X 7/16 SL ANGLVLV-MULTI TURN CHR	-	12



COMPRESSION X PEX • ANGLE

Item No.	Product Description	Inner Quantity	Master Carton Quantity
190-832HC	3/8 OD X 1/2 PEX ANGLVLV-1/4 TURN CHR	-	10

SUPPLY STOPS



COMPRESSION X PUSH-FIT • ANGLE

Item No.	Product Description	Inner Quantity	Master Carton Quantity
190-931HC	1/4 OD X 1/2 PF ANGVLV-1/4 TURN CHR	-	10
190-932HC	3/8 OD X 1/2 PF ANGVLV-1/4 TURN CHR	-	10

PUSH-FIT X SLIP JOINT • ANGLE

Item No.	Product Description	Inner Quantity	Master Carton Quantity
190-937HC	1/2 PF X 7/16 SL ANGVLV-1/4 TURN CHR	-	10



COMPRESSION X SWEAT • ANGLE

Item No.	Product Description	Inner Quantity	Master Carton Quantity
190-432HC	3/8 OD X 1/2 SWT ANGVLV-1/4 TURN CHR	-	16
190-433HC	1/2 OD X 1/2 SWT ANGVLV-1/4 TURN CHR	-	12



COMPRESSION X COMPRESSION STOPS • STRAIGHT

Item No.	Product Description	Inner Quantity	Master Carton Quantity
191-022HC	3/8 OD X 3/8 OD STRVLV-1/4 TURN CHR	-	12
191-032HC	5/8 OD X 3/8 OD STRVLV-1/4 TURN CHR	-	16
193-032HC	5/8 OD X 3/8 OD STRVLV-MULTI TURN CHR	-	12



COMPRESSION X CPVC • STRAIGHT

Item No.	Product Description	Inner Quantity	Master Carton Quantity
191-732HC	3/8 OD X 1/2 CPVC STRVLV-1/4 TURN CHR	-	10



COMPRESSION STOPS X FEMALE COMPRESSION • STRAIGHT • RETRO-FIT

Item No.	Product Description	Inner Quantity	Master Carton Quantity
191-099HC	3/8 OD X 3/8 FEMALE COMP STRVLV-1/4 TURN CHR	-	16



COMPRESSION STOPS X FIP • STRAIGHT

Item No.	Product Description	Inner Quantity	Master Carton Quantity
191-222HC	3/8 OD X 3/8 FIP STRVLV-1/4 TURN CHR	-	12
191-232HC	3/8 OD X 1/2 FIP STRVLV-1/4 TURN CHR	-	12
191-233HC	1/2 OD X 1/2 FIP STRVLV-1/4 TURN CHR	-	12
193-132HC	3/8 OD X 1/2 FIP STRVLV-MULTI TURN CHR	-	12
191-300HC	3/8 OD X 1/2 FIP SKIT BN-1/4 TURN STR W ADPTS NKL	-	10
191-301HC	3/8 OD X 1/2 FIP SKIT VB-1/4 TURN STR W ADPTS BRZ	-	10



FIP X SLIP-JOINT STOPS • STRAIGHT

Item No.	Product Description	Inner Quantity	Master Carton Quantity
191-237HC	1/2 FIP X 7/16 SL STRVLV-7/16 SLIP 1/4 TURN CHR	-	12



PEX X COMPRESSION • STRAIGHT

Item No.	Product Description	Inner Quantity	Master Carton Quantity
191-832HC	1/2 PEX X 3/8 OD STRVLV-1/4 TURN CHR	-	10



PEX X PEX • STRAIGHT

Item No.	Product Description	Inner Quantity	Master Carton Quantity
191-622HC	1/2 PEX	-	16



COMPRESSION X PUSH-FIT • STRAIGHT

Item No.	Product Description	Inner Quantity	Master Carton Quantity
191-931HC	1/4 OD X 1/2 PF STRVLV-1/4 TURN CHR	-	10
191-932HC	3/8 OD X 1/2 PF STRVLV-1/4 TURN CHR	-	10



SLIP JOINT X PUSH-FIT • STRAIGHT

Item No.	Product Description	Inner Quantity	Master Carton Quantity
191-937HC	7/16 SL X 1/2 PF STRVLV-1/4 TURN CHR	-	10

SUPPLY STOPS



SWEAT X COMPRESSION • STRAIGHT

Item No.	Product Description	Inner Quantity	Master Carton Quantity
191-432HC	1/2 SWT X 3/8 OD STRVLV-1/4 TURN CHR	-	12



DUAL OUTLET - COMPRESSION INLET

Item No.	Product Description	Inner Quantity	Master Carton Quantity
194-321HC	5/8 X 3/8 X 1/4 OD VLV-OD OUTLETS 1/4 TURN CHR	-	10
194-322HC	5/8 X 3/8 X 3/8 OD VLV-OD OUTLETS 1/4 TURN CHR	-	10
196-322HC	5/8 X 3/8 X 3/8 OD VLVR-MULTI TURN RB	-	10



DUAL OUTLET - FIP INLET

Item No.	Product Description	Inner Quantity	Master Carton Quantity
195-321HC	1/2 FIP X 3/8 X 1/4 VLV-OD OUTLETS 1/4 TURN CHR	-	10
195-322HC	1/2 FIP X 3/8 X 3/8 VLV-OD OUTLETS 1/4 TURN CHR	-	10



UNIVERSAL VALVE ADAPTERS

Item No.	Product Description	Inner Quantity	Master Carton Quantity
199-001RP	A1/2FX3/8OD&S1/2CPX3/8OD	10	80
199-002RP	STRT 3/8&1/2MIPX3/8OD	10	80
199-003RP	STRT 3/8&1/2FIPX3/8OD	10	80



SUPPLY STOP EXTENDER TEE • EZ-CONNECT™

Item No.	Product Description	Inner Quantity	Master Carton Quantity
993-015NL	NO LEAD, 3/8" WITH 1/4" BRANCH	10	80
993-016NL	NO LEAD, 3/8" WITH 3/8" BRANCH	10	80
993-017NL	NO LEAD, 1/2" WITH 1/4" BRANCH	6	48
993-018NL	NO LEAD, 1/2" WITH 3/8" BRANCH	6	48
993-019NL	NO LEAD, 1/2" NPS WITH 1/4" BRANCH	6	48
993-020NL	NO LEAD, 1/2" NPS WITH 3/8" BRANCH	6	48



SUPPLY LINES & APPLIANCE CONNECTORS

The B&K Supply Line & Appliance Connector offering has been greatly expanded to include more sizes and lengths than we previously had. Our offering still includes PVC, PEX and Braided Stainless Steel lines.

Some of our new items include the Universal Faucet & Toilet Kits. These kits are supply lines that have four universal fittings in a clamshell connected to the line. We also have included several new lengths of lines with different connection types.



FAUCET CONNECTORS - STAINLESS STEEL

Item No.	Product Description	Inner Quantity	Master Carton Quantity
496-000	9 SS 3/8C X 1/2FIP	-	10
496-001	12 SS 3/8C X 1/2FIP	-	10
496-00110PK	12 SS 3/8C X 1/2FIP - 10 PACK	-	
496-002	16 SS 3/8C X 1/2FIP	-	10
496-00210PK	16 SS 3/8C X 1/2FIP - 10 PACK	-	
496-003	20 SS 3/8C X 1/2FIP	-	10
496-003P8	20 SS 3/8C X 1/2FIP - 8 PACK	-	
496-00310PK	20 SS 3/8C X 1/2FIP - 10 PACK	-	
496-004	24 SS 3/8C X 1/2FIP	-	25
496-005	30 SS 3/8C X 1/2FIP	-	10
496-006	36 SS 3/8C X 1/2FIP	-	12
496-008	48 SS 3/8C X 1/2FIP	-	12
496-009	60 SS 3/8C X 1/2FIP	-	5
496-010	72 SS 3/8C X 1/2FIP	-	12
496-021	96 SS 3/8C X 1/2FIP	-	12
496-017	48 SS 1/2FIP X 1/2FIP	-	12
496-018	60 SS 1/2FIP X 1/2FIP	-	12
496-019	72 SS 1/2FIP X 1/2FIP	-	12
496-020	96 SS 1/2FIP X 1/2FIP	-	12
496-009	60 SS 3/8FIP X 1/2FIP	-	12
496-011	12 SS 1/2FIP X 1/2FIP	-	10
496-012	16 SS 1/2FIP X 1/2FIP	-	25
496-013	20 SS 1/2FIP X 1/2FIP	-	10
496-014	24 SS 1/2FIP X 1/2FIP	-	25
496-015	30 SS 1/2FIP X 1/2FIP	-	10
496-016	36 SS 1/2FIP X 1/2FIP	-	12
496-030	9 SS 3/8C X 3/8C	-	25
496-031	12 SS 3/8C X 3/8C	-	10
496-032	16 SS 3/8C X 3/8C	-	25
496-243	20 SS 3/8C X 3/8C	-	10
496-034	24 SS 3/8C X 3/8C	-	25
496-035	30 SS 3/8C X 3/8C	-	12
496-036	36 SS 3/8C X 3/8C	-	12
496-037	48 SS 3/8C X 3/8C	-	12
496-038	60 SS 3/8C X 3/8C	-	12
496-039	72 SS 3/8C X 3/8C	-	12
496-040	96 SS 3/8C X 3/8C	-	12
496-047	48 SS 1/2C X 1/2C	-	12
496-049	72 SS 1/2C X 1/2C	-	12
496-053	20 SS 7/16C X 1/2FIP	-	25
496-060	9 SS 1/2C X 1/2FIP	-	25
496-061	12 SS 1/2C X 1/2FIP	-	10
496-062	16 SS 1/2C X 1/2FIP	-	12
496-063	20 SS 1/2C X 1/2FIP	-	10
496-064	24 SS 1/2C X 1/2FIP	-	25
496-065	30 SS 1/2C X 1/2FIP	-	6
496-066	36 SS 1/2C X 1/2FIP	-	12
496-067	48 SS 1/2C X 1/2FIP	-	12
496-902	20 SS 3/8C X 1/2FIP + 4 ADAPTERS - UNIVERSAL KIT	-	10
496-071	12 SS 3/8 C X 3/8 KC DELTA CONNECTION	-	25
496-072	16 SS 3/8 C X 3/8 KC DELTA CONNECTION	-	
496-073	20 SS 3/8 C X 3/8 KC DELTA CONNECTION	-	10
496-076	36 SS 3/8 C X 3/8 KC DELTA CONNECTION	-	
496-801	12 SS 3/8FL X 1/2FIP	-	25
496-802	16 SS 3/8FL X 1/2FIP	-	
496-803	20 SS 3/8FL X 1/2FIP	-	25
496-805	12 SS 1/2FL X 1/2FIP	-	
496-806	16 SS 1/2FL X 1/2FIP	-	
496-804	20 SS 1/2FL X 1/2FIP	-	



FAUCET CONNECTORS - PVC

Item No.	Product Description	Inner Quantity	Master Carton Quantity
495-001	12 PVC 3/8C X 1/2FIP	-	10
495-002	16 PVC 3/8C X 1/2FIP	-	10
495-003	20 PVC 3/8C X 1/2FIP	-	10
495-003P6	20 PVC 3/8C X 1/2FIP	-	
495-004	24 PVC 3/8C X 1/2FIP	-	25
495-005	30 PVC 3/8C X 1/2FIP	-	12
495-006	36 PVC 3/8C X 1/2FIP	-	10
495-009	60 PVC 3/8C X 1/2FIP	-	12
495-053	20 PVC 7/16C X 1/2FIP	-	25
495-061	12 PVC 1/2C X 1/2FIP	-	25
495-062	16 PVC 1/2C X 1/2FIP	-	25
495-063	20 PVC 1/2C X 1/2FIP	-	25
495-064	24 PVC 1/2C X 1/2FIP	-	25
495-065	30 PVC 1/2C X 1/2FIP	-	12
496-066	36 PVC 1/2C X 1/2FIP	-	
495-071	12 PVC 3/8 C X 3/8 KC DELTA CONNECTION	-	25
495-073	20 PVC 3/8 C X 3/8 KC DELTA CONNECTION	-	25
495-011	12 PVC 1/2FIP X 1/2FIP	-	10
495-012	16 PVC 1/2FIP X 1/2FIP	-	25
495-013	20 PVC 1/2FIP X 1/2FIP	-	10
495-014	24 PVC 1/2FIP X 1/2FIP	-	25
495-015	30 PVC 1/2FIP X 1/2FIP	-	12
495-016	36 PVC 1/2FIP X 1/2FIP	-	12



TOILET CONNECTORS - STAINLESS STEEL

Item No.	Product Description	Inner Quantity	Master Carton Quantity
494-102	9 SS 3/8C X 7/8BC - METAL BALLCOCK	-	20
494-103	12 SS 3/8C X 7/8BC - METAL BALLCOCK	-	20
494-104	16 SS 3/8C X 7/8BC - METAL BALLCOCK	-	20
494-105	20 SS 3/8C X 7/8BC - METAL BALLCOCK	-	20
496-102	9 SS 3/8C X 7/8BC	-	10
496-10210PK	9 SS 3/8C X 7/8BC - 10 PACK	-	
496-103	12 SS 3/8C X 7/8BC	-	10
496-103P3	12 SS 3/8C X 7/8BC - 3 PACK	-	
496-10310PK	12 SS 3/8C X 7/8BC - 10 PACK	-	
496-911	12 SS 3/8C X 7/8BC + 4 ADAPTERS - UNIVERSAL KIT	-	10
496-104	16 SS 3/8C X 7/8BC	-	
496-105	20 SS 3/8C X 7/8BC	-	10
496-113	12 SS 7/16C X 7/8BC	-	20
496-133	20 SS 7/16C X 7/8BC	-	20
496-140	9 SS 1/2C X 7/8BC	-	5
496-123	12 SS 1/2C X 7/8BC	-	10
496-142	16 SS 1/2C X 7/8BC	-	25
496-143	20 SS 1/2C X 7/8BC	-	20
496-150	9 SS 1/2FIP X 7/8BC	-	20
496-151	12 SS 1/2FIP X 7/8BC	-	10
496-152	16 SS 1/2FIP X 7/8BC	-	25
496-153	20 SS 1/2FIP X 7/8BC	-	20
496-810	9 SS 3/8FL X 7/8BC	-	
496-811	12 SS 3/8FL X 7/8BC	-	20
496-812	16 SS 3/8FL X 7/8BC	-	
496-813	20 SS 3/8FL X 7/8BC	-	12
496-820	9 SS 1/2FL X 7/8BC	-	



TOILET CONNECTORS - STAINLESS STEEL

Item No.	Product Description	Inner Quantity	Master Carton Quantity
496-821	12 SS 1/2FL X 7/8BC	-	20
496-822	16 SS 1/2FL X 7/8BC	-	-
496-823	20 SS 1/2FL X 7/8BC	-	12



TOILET CONNECTORS - PVC

Item No.	Product Description	Inner Quantity	Master Carton Quantity
495-102	9 PVC 3/8C X 7/8BC	-	10
495-103	12 PVC 3/8C X 7/8BC	-	10
495-103P3	12 PVC 3/8C X 7/8BC - 3 PACK	-	-
495-104	16 PVC 3/8C X 7/8BC	-	-
495-105	20 PVC 3/8C X 7/8BC	-	10
495-113	12 PVC 7/16C X 7/8BC	-	20
495-133	20 PVC 7/16C X 7/8BC	-	20
495-140	9 PVC 1/2C X 7/8BC	-	20
495-123	12 PVC 1/2C X 7/8BC	-	20
495-143	20 PVC 1/2C X 7/8BC	-	20
495-150	9 PVC 1/2FIP X 7/8BC	-	20
495-151	12 PVC 1/2FIP X 7/8BC	-	20
495-153	20 PVC 1/2FIP X 7/8BC	-	20



LINE 'N STOP - STAINLESS STEEL

Item No.	Product Description	Inner Quantity	Master Carton Quantity
496-903	20 SS 1/2PF X 1/2FIP W/ STRAIGHT VALVE ATTACHED	-	12
496-904	20 SS 1/2PF X 1/2FIP W/ ANGLE VALVE ATTACHED	-	12
496-912	12 SS 1/2"PF X 7/8"BC W/ STRAIGHT VALVE ATTACHED	-	12
496-913	12 SS 1/2"PF X 7/8"BC W/ ANGLE VALVE ATTACHED	-	12



FAUCET RISERS

Item No.	Product Description	Inner Quantity	Master Carton Quantity
496-701	3/8 X 20 BN FAUCET	-	60
496-702	3/8 X 20 PB FAUCET	-	60
496-703	3/8 X 20 VB FAUCET	-	60
496-720	CHROME LAV 3/8 COMP X 20	-	60
496-721	CHROME LAV 3/8 X 30	-	20
496-722	PEX LAV 3/8 X 30	-	60



TOILET RISERS

Item No.	Product Description	Inner Quantity	Master Carton Quantity
496-711	3/8 X 20 BN TOILET	-	60
496-712	3/8 X 20 PB TOILET	-	60
496-713	3/8 X 20 VB TOILET	-	60
496-730	CHROME TOILET 3/8 X 12	-	60
496-731	CHROME TOILET 3/8 X 20	-	15
496-732	PEX TOILET 3/8 X 20	-	20



WATER HEATER CONNECTORS - STAINLESS STEEL

Item No.	Product Description	Inner Quantity	Master Carton Quantity
496-220	12 SS 3/4FIP X 3/4FIP	-	
496-217	15 SS 3/4FIP X 3/4FIP	-	
496-221	18 SS 3/4 FIP X 3/4 FIP	-	8
496-218	24 SS 3/4 FIP X 3/4 FIP	-	8
496-231	18 SS 3/4FIP X 7/8C	-	8
496-234	18 SS 3/4 MIP X 7/8C	-	8
496-235	24 SS 3/4 MIP X 7/8C	-	8
496-236	15 SS 3/4MIP X 3/4FIP	-	
496-237	18 SS 3/4 MIP X 3/4 FIP	-	8
496-238	24 SS 3/4 MIP X 3/4 FIP	-	8
496-240	18 SS 3/4 FIP X 5/8C	-	8



WATER HEATER CONNECTORS - PUSH-FIT - STAINLESS STEEL

Item No.	Product Description	Inner Quantity	Master Carton Quantity
496-222	12 SS 1/2PF X 3/4FIP	-	10
496-223	18 SS 1/2PF X 3/4FIP	-	10
496-224	15 SS 3/4PF X 3/4FIP	-	10
496-225	18 SS 3/4PF X 3/4FIP	-	10
496-227	24 SS 3/4PF X 3/4FIP	-	10
496-228	18 SS 3/4PF BV X 3/4FIP	-	10

ICE MAKER CONNECTORS - STAINLESS STEEL

Item No.	Product Description	Inner Quantity	Master Carton Quantity
496-915	12 SS 1/4OD X 1/4OD	-	
496-920	60 SS 1/4OD X 1/4OD	-	
496-921	72 SS 1/4OD X 1/4OD	-	10
496-922	120 SS 1/4OD X 1/4OD	-	8
496-924	240 SS 1/4OD X 1/4OD	-	5



WASHING MACHINE CONNECTORS - STAINLESS STEEL

Item No.	Product Description	Inner Quantity	Master Carton Quantity
496-211	SS 3/4HT X 3/4HT X 48	-	10
496-212	SS 3/4HT X 3/4HT X 60	-	10
496-212EL	SS 3/4HT X 3/4HT X 60 - ELBOW INCLUDED	-	6
496-212DP	SS 3/4HT X 3/4HT X 60 - DUAL PACK	-	
496-213	SS 3/4HT X 3/4HT X 72	-	
496-213EL	SS 3/4HT X 3/4HT X 72 - ELBOW INCLUDED	-	
496-216	SS 3/4HT X 3/4HT X 120	-	



WASHING MACHINE CONNECTORS - PVC

Item No.	Product Description	Inner Quantity	Master Carton Quantity
495-213	PVC 3/4HT X 3/4HT X 72	-	10
495-215	PVC 3/4HT X 3/4HT X 96	-	10
495-216	PVC 3/4HT X 3/4HT X 120	-	10
495-217	PVC 3/4HT X 3/4HT X 144	-	10



DISHWASHER CONNECTOR - STAINLESS STEEL

Item No.	Product Description	Inner Quantity	Master Carton Quantity
496-201	SS 3/8OD X 3/8OD X 48 WITH 3/8" ELBOW	-	6
496-202	SS 3/8OD X 3/8OD X 60 WITH 3/8" ELBOW	-	12
496-203	SS 3/8OD X 3/8OD X 72 WITH 3/8" ELBOW	-	6
496-205	SS 3/8OD X 1/2FIP X 48 WITH 3/8" ELBOW	-	14

STEAM DRYER INSTALLATION KIT

Item No.	Product Description	Inner Quantity	Master Carton Quantity
496-994	STEAM DRYER INSTALLATION KIT	-	



SUREDRIY CONNECTORS - STAINLESS STEEL

Item No.	Product Description	Inner Quantity	Master Carton Quantity
496-001EF	12 SS 3/8C X 1/2FIP - FAUCET LINE	-	10
496-002EF	16 SS 3/8C X 1/2FIP - FAUCET LINE	-	25
496-003EF	20 SS 3/8C X 1/2FIP - FAUCET LINE	-	10
496-006EF	36 SS 3/8C X 1/2FIP - FAUCET LINE	-	5
496-013EF	20 SS 1/2FIP X 1/2FIP - FAUCET LINE	-	25
496-061EF	12 SS 1/2C X 1/2FIP - FAUCET LINE	-	25
496-102EF	9 SS 3/8 C X 7/8 BC - TOILET LINE	-	10
496-103EF	12 SS 3/8 C X 7/8 BC - TOILET LINE	-	10
496-104EF	16 SS 3/8 C X 7/8 BC - TOILET LINE	-	20
496-105EF	20 SS 3/8 C X 7/8 BC - TOILET LINE	-	20



SUREDRIY CONNECTORS - STAINLESS STEEL

Item No.	Product Description	Inner Quantity	Master Carton Quantity
496-151EF	12 SS 1/2FIP X 7/8BC - TOILET LINE	-	20
496-153EF	20 SS 1/2FIP X 7/8BC - TOILET LINE	-	20
496-201EF	SS 3/8OD X 3/8OD X 48 - DISHWASHER CONNECTOR	-	6
496-202EF	SS 3/8OD X 3/8OD X 60 - DISHWASHER CONNECTOR	-	10
496-203EF	SS 3/8OD X 3/8OD X 72 - DISHWASHER CONNECTOR	-	6
496-211EF	SS 3/4HT X 3/4HT X 48 - WASHING MACHINE CONNECTOR	-	12
496-212EF	SS 3/4HT X 3/4HT X 60 - WASHING MACHINE CONNECTOR	-	6
496-212DEF	SS 3/4HTX3/4HT X 60 2PK - WASHING MACHINE CONNECTOR	-	6
496-213EF	SS 3/4HT X 3/4HT X 72 - WASHING MACHINE CONNECTOR	-	10
496-213DEF	SS 3/4HT X 3/4HT X 72 2PK - WASHING MACHINE CONNECTOR	-	6
496-922EF	120 SS 1/4OD X 1/4OD - ICE MAKER CONNECTOR	-	6



WYE CONNECTOR

Item No.	Product Description	Inner Quantity	Master Carton Quantity
992-016	WYE CONNECTOR	-	-



DISHWASHER DRAIN HOSE

Item No.	Product Description	Inner Quantity	Master Carton Quantity
497-033	PVC DRAIN HOSE 6'	-	-



ICE MAKER KIT

Item No.	Product Description	Inner Quantity	Master Carton Quantity
993-000	15" PEX TUBE WITH TWISTLOCK TEE VALVE	-	6
993-001NL	NO LEAD, ICE-MAKER KIT	-	8
993-012	15" COPPER COIL WITH SADDLE VALVE	1	8



WATER & GAS FLEX CONNECTORS

Our FlexConnect Appliance Connectors provide a safe and easy method to install household appliances such as gas ranges, water heaters, furnaces and more. The durable, stainless-steel construction supports high-flow rates, wide temperature ranges and is resistant to corrosive water and environmental conditions. In addition, each connector is 100% leak tested to ensure the highest quality. These connectors include a full range of yellow epoxy-coated and stainless steel gas connectors as well as stainless steel water connectors.



COPPER WATER APPLIANCE CONNECTOR, 3/4 ID, F X F

Item No.	Product Description	Inner Quantity	Master Carton Quantity
W034CU101012	3/4 FIP X 3/4 FIP 12	-	25
W034CU101015	3/4 FIP X 3/4 FIP 15	-	25
W034CU101018	3/4 FIP X 3/4 FIP 18	-	25
W034CU101024	3/4 FIP X 3/4 FIP 24	-	25



STAINLESS STEEL WATER APPLIANCE CONNECTOR

Item No.	Product Description	Inner Quantity	Master Carton Quantity
W034SS101012	3/4ID, 3/4 F X 3/4 F, 12	-	25
W034SS101015	3/4ID, 3/4 F X 3/4 F, 15	-	25
W034SS101018	3/4ID, 3/4 F X 3/4 F, 18	-	25
W034SS101024	3/4ID, 3/4 F X 3/4 F, 24	-	25
W034SS101218	3/4ID, 3/4F X 1F, 18	-	25
W100SS121218	1ID, 1F X 1F, 18	-	12



TANKLESS WATER HEATER VALVES

Item No.	Product Description	Inner Quantity	Master Carton Quantity
102-120	TANKLESS WATER HEATER VALVE KIT	-	12



TANKLESS WATER HEATER VALVES • SOFT TURN

Item No.	Product Description	Inner Quantity	Master Carton Quantity
102-121	TANKLESS WATER HEATER VALVE KIT - SOFT TURN	-	12



STAINLESS STEEL GAS APPLIANCE CONNECTOR

Item No.	Product Description	Inner Quantity	Master Carton Quantity
G012SS101012	1/2 ID, 1/2M X 1/2M, 12	-	25
G012SS101018	1/2 ID, 1/2M X 1/2M, 18	-	25
G012SS101024	1/2 ID, 1/2M X 1/2M, 24	-	25
G012SS101036	1/2 ID, 1/2M X 1/2M, 36	-	25
G012SS101048	1/2 ID, 1/2M X 1/2M, 48	-	25
G012SS101060	1/2 ID, 1/2M X 1/2M, 60	-	12
G012SS101436	1/2 ID, 1/2M X 3/4M, 36	-	25
G012SS101436RP	1/2 ID, 1/2M X 3/4M, 36 (RETAIL BAGGED)	-	8
G012SS101448RP	1/2 ID, 1/2M X 3/4M, 48 (RETAIL BAGGED)	-	6
G012SS101112	1/2 ID, 1/2M X 1/2F, 12	-	25
G012SS101118	1/2 ID, 1/2M X 1/2F, 18	-	25
G012SS101124	1/2 ID, 1/2M X 1/2F, 24	-	25
G012SS101136	1/2 ID, 1/2M X 1/2F, 36	-	25
G012SS101148	1/2 ID, 1/2M X 1/2F, 48	-	25
G012SS101160	1/2 ID, 1/2M X 1/2F, 60	-	12

WATER & GAS FLEX CONNECTORS



STAINLESS STEEL GAS APPLIANCE CONNECTOR

Item No.	Product Description	Inner Quantity	Master Carton Quantity
G012SS111118	1/2 ID, 1/2F X 1/2F, 18	-	25
G012SS111124	1/2 ID, 1/2F X 1/2F, 24	-	25
G012SS111136	1/2 ID, 1/2F X 1/2F, 36	-	25
G012SS111148	1/2 ID, 1/2F X 1/2F, 48	-	25
G012SS151524RP	1/2 ID, 3/4F X 3/4F, 24 (RETAIL BAGGED)	-	8
G012SS151536RP	1/2 ID, 3/4F X 3/4F, 36 (RETAIL BAGGED)	-	8
G012SS151548RP	1/2 ID, 3/4F X 3/4F, 48 (RETAIL BAGGED)	-	6
G014SS101036	1/4 ID, 1/2M X 1/2M, 36	-	25
G014SS101118RP	1/4 ID, 1/2M X 1/2F, 18 (RETAIL BAGGED)	-	10
G014SS101136RP	1/4 ID, 1/2M X 1/2F, 36 (RETAIL BAGGED)	-	10
G014SS101148RP	1/4 ID, 1/2M X 1/2F, 48 (RETAIL BAGGED)	-	10
G038SS101118RP	3/8 ID, 1/2M X 1/2F, 18 (RETAIL BAGGED)	-	10
G038SS101124RP	3/8 ID, 1/2M X 1/2F, 24 (RETAIL BAGGED)	-	10
G038SS101136	3/8 ID, 1/2M X 1/2F, 36	-	25
G038SS101136RP	3/8 ID, 1/2M X 1/2F, 36 (RETAIL BAGGED)	-	10
G038SS101148	3/8 ID, 1/2M X 1/2F, 48	-	25
G038SS101148RP	3/8 ID, 1/2M X 1/2F, 48 (RETAIL BAGGED)	-	10
G038SS103118	3/8ID,1/2M X 1/2 F BV, 18 - BALL VALVE	-	25
G038SS103124	3/8ID,1/2M X 1/2 F BV, 24 - BALL VALVE	-	25
G038SS103136	3/8ID,1/2M X 1/2 F BV, 36 - BALL VALVE	-	25



YELLOW EPOXY COATED GAS APPLIANCE CONNECTOR

Item No.	Product Description	Inner Quantity	Master Carton Quantity
G012YE101018	1/2 ID, 1/2M X 1/2M, 18	-	25
G012YE101024	1/2 ID, 1/2M X 1/2M, 24	-	25
G012YE101036	1/2 ID, 1/2M X 1/2M, 36	-	25
G012YE101036RP	1/2 ID, 1/2M X 1/2M, 36 (RETAIL BAGGED)	-	8
G012YE101048	1/2 ID, 1/2M X 1/2M, 48	-	25
G012YE101048RP	1/2 ID, 1/2M X 1/2M, 48 (RETAIL BAGGED)	-	6
G012YE141436	1/2 ID, 3/4M X 3/4M, 36	-	25
G012YE141448	1/2 ID, 3/4M X 3/4M, 48	-	25
G012YE101112	1/2 ID, 1/2M X 1/2F, 12	-	25
G012YE101118	1/2 ID, 1/2M X 1/2F, 18	-	25
G012YE101124	1/2 ID, 1/2M X 1/2F, 24	-	25
G012YE101136	1/2 ID, 1/2M X 1/2F, 36	-	25
G012YE101148	1/2 ID, 1/2M X 1/2F, 48	-	25
G012YE141518	1/2 ID, 3/4M X 3/4F, 18	-	25
G012YE141524	1/2 ID, 3/4M X 3/4F, 24	-	25
G012YE141536	1/2 ID, 3/4M X 3/4F, 36	-	25
G012YE141536RP	1/2 ID, 3/4M X 3/4F, 36 (RETAIL BAGGED)	-	8
G012YE103118	1/2ID, 1/2M X 1/2F BV, 18 - BALL VALVE	-	25
G012YE103124	1/2ID, 1/2M X 1/2F BV, 24 - BALL VALVE	-	25
G012YE103136	1/2ID, 1/2M X 1/2F BV, 36 - BALL VALVE	-	25
G012YE103148	1/2ID, 1/2M X 1/2F BV, 48 - BALL VALVE	-	25
G012YE111136	1/2 ID, 1/2F X 1/2F, 36	-	25
G012YE111148	1/2 ID, 1/2F X 1/2F, 48	-	25
G012YE151536RP	1/2 ID, 3/4F X 3/4F, 36 (RETAIL BAGGED)	-	8
G012YE151548RP	1/2 ID, 3/4F X 3/4F, 48 (RETAIL BAGGED)	-	6
G012YE151560RP	1/2 ID, 3/4F X 3/4F, 60 (RETAIL BAGGED)	-	6
G014YE101018	1/4 ID, 1/2M X 1/2M, 18	-	25
G014YE101124RP	1/4 ID, 1/2M X 1/2F, 24 (RETAIL BAGGED)	-	10



YELLOW EPOXY COATED GAS APPLIANCE CONNECTOR

Item No.	Product Description	Inner Quantity	Master Carton Quantity
G014YE101136	1/4 ID, 1/2M X 1/2F, 36	-	
G014YE101136RP	1/4 ID, 1/2M X 1/2F, 36 (RETAIL BAGGED)	-	10
G014YE101148RP	1/4 ID, 1/2M X 1/2F, 48 (RETAIL BAGGED)	-	10
G034YE141524	3/4ID, 3/4M X 3/4F, 24	-	25
G034YE141536	3/4ID, 3/4M X 3/4F, 36	-	25
G038YE101018	3/8 ID, 1/2M X 1/2M, 18	-	25
G038YE101024	3/8 ID, 1/2M X 1/2M, 24	-	25
G038YE101036	3/8 ID, 1/2M X 1/2M, 36	-	25
G038YE101048	3/8 ID, 1/2M X 1/2M, 48	-	
G038YE101124	3/8 ID, 1/2M X 1/2F, 24	-	25
G038YE101124RP	3/8 ID, 1/2M X 1/2F, 24 (RETAIL BAGGED)	-	10
G038YE101136	3/8 ID, 1/2M X 1/2F, 36	-	25
G038YE101136RP	3/8 ID, 1/2M X 1/2F, 36 (RETAIL BAGGED)	-	10
G038YE101148	3/8 ID, 1/2M X 1/2F, 48	-	25
G038YE101148RP	3/8 ID, 1/2M X 1/2F, 48 (RETAIL BAGGED)	-	10



GAS FLARE FITTINGS

The Gas Flare Fittings are ideally suited to be used in conjunction with our FlexConnect gas connectors. These fittings help to connect your gas connector to any appliance and connection you need.



GAS FLARE FITTINGS • BRASS

Item No.	Product Description	Inner Quantity	Master Carton Quantity
G012-10RP	GAS UNION 5/8FL X 1/2MIP - CLAMSHELL	8	40
G012-11RP	GAS UNION 5/8FL X 1/2FIP - CLAMSHELL	8	40
G012-14RP	GAS UNION 5/8FL X 3/4MIP - CLAMSHELL	8	40
G012-15RP	GAS UNION 5/8FL X 3/4FIP - CLAMSHELL	8	40
G014-10RP	GAS UNION 3/8FL X 1/2MIP - CLAMSHELL	8	40
G014-11RP	GAS UNION 3/8FL X 1/2FIP - CLAMSHELL	8	40
G014-12RP	GAS UNION 3/8FL X 3/8MIP - CLAMSHELL	8	40
G014-13RP	GAS UNION 3/8FL X 3/8FIP - CLAMSHELL	8	40
G038-10RP	GAS UNION 1/2FL X 1/2MIP - CLAMSHELL	8	40
G038-11RP	GAS UNION 1/2FL X 1/2FIP - CLAMSHELL	8	40



PRE-SOLDER COPPER FITTINGS

B&K's Pre-Soldered Copper Fittings are the quickest and most economical method for the plumbing contractor or home owner to sweat copper fittings.

Pre-soldered means no need to buy solder. This helps lower the total cost per connection.



90° ELBOW • RAPID FIRE™

Item No.	Product Description	Inner Quantity	Master Carton Quantity
610-003HC	1/2", C X C ELBOW 90°	-	75
610-004HC	3/4", C X C ELBOW 90°	-	40
610-005HC	1", C X C ELBOW 90°	-	20
610-203HC	1/2", C X C ELBOW 45°	-	75
610-204HC	3/4", C X C ELBOW 45°	-	30



TEE • REDUCING • RAPID FIRE™

Item No.	Product Description	Inner Quantity	Master Carton Quantity
610-433HC	3/4" X 1/2" X 1/2", C X C X C TEE • REDUCING	-	20
610-434HC	3/4" X 1/2" X 3/4", C X C X C TEE • REDUCING	-	15
610-443HC	3/4" X 3/4" X 1/2", C X C X C TEE • REDUCING	-	20



45° STREET • ELBOW • RAPID FIRE™

Item No.	Product Description	Inner Quantity	Master Carton Quantity
610-503HC	1/2", C X FTG ELBOW • 45° STREET	-	75
610-504HC	3/4", C X FTG ELBOW • 45° STREET	-	30



TEE • REDUCING • RAPID FIRE™

Item No.	Product Description	Inner Quantity	Master Carton Quantity
610-553HC	1" X 1" X 1/2", C X C X C TEE • REDUCING	-	15
610-554HC	1" X 1" X 3/4", C X C X C TEE • REDUCING	-	10



TEE • RAPID FIRE™

Item No.	Product Description	Inner Quantity	Master Carton Quantity
610-603HC	1/2", C X C X C TEE	-	50
610-604HC	3/4", C X C X C TEE	-	25
610-605HC	1", C X C X C TEE	-	10



COUPLING W/ STOP • RAPID FIRE™

Item No.	Product Description	Inner Quantity	Master Carton Quantity
611-203HC	1/2" C X C COUPLING W/STOP	-	75
611-204HC	3/4", C X C COUPLING W/STOP	-	50
611-205HC	1", C X C COUPLING W/STOP	-	25

PRE-SOLDER COPPER FITTINGS



COUPLING W/O STOP • RAPID FIRE™

Item No.	Product Description	Inner Quantity	Master Carton Quantity
611-223HC	1/2" C X C COUPLING W/O STOP	-	75
611-224HC	3/4", C X C COUPLING W/O STOP	-	50



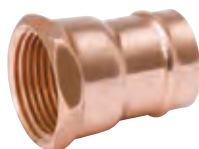
COUPLING • REDUCING • RAPID FIRE™

Item No.	Product Description	Inner Quantity	Master Carton Quantity
611-343HC	3/4" X 1/2", C X C REDUCING COUPLING	-	50
611-354HC	1" X 3/4", C X C REDUCING COUPLING	-	25



CAP • RAPID FIRE™

Item No.	Product Description	Inner Quantity	Master Carton Quantity
611-403HC	1/2", CAP	-	75
611-404HC	3/4", CAP	-	50
611-405HC	1", CAP	-	40



ADAPTER • MALE • RAPID FIRE™

Item No.	Product Description	Inner Quantity	Master Carton Quantity
611-503HC	1/2", C X F MALE ADAPTER	-	50
611-504HC	3/4", C X F MALE ADAPTER	-	30
611-505HC	1", C X F MALE ADAPTER	-	20
611-603HC	1/2", C X M MALE ADAPTER	-	50
611-604HC	3/4", C X M MALE ADAPTER	-	25
611-605HC	1", C X M MALE ADAPTER	-	15



90° ELBOW • STREET • RAPID FIRE™

Item No.	Product Description	Inner Quantity	Master Carton Quantity
620-003HC	1/2", C X FTG ELBOW 90° STREET	-	75
620-004HC	3/4", C X FTG ELBOW 90° STREET	-	30
620-005HC	1", C X FTG ELBOW 90° STREET	-	15



COPPER PUSH FIT

The Copper Push Fit fittings provide for simple installations and long-lasting reliability. Compatible with Copper, PEX and CPVC piping, these fittings are certified to NSF 61, IAPMO listed for use in both potable-water and select hydronic-heating applications, and also meet UPC and ICC plumbing code requirements. Their instant push-fit connections, compact body designs and wide array of fitting types and materials make Copper Push Fit the convenient solution to your joining needs.



COUPLING

Item No.	Product Description	Inner Quantity	Master Carton Quantity
650-003HC	1/2 X 1/2 PF CPLNG	-	24
650-003PK8	1/2 X 1/2 PF CPLNG - 8 PACK	-	4
650-004HC	3/4 X 3/4 PF CPLNG	-	24
650-004PK6	3/4 X 3/4 PF CPLNG - 6 PACK	-	6



ADAPTER • MALE

Item No.	Product Description	Inner Quantity	Master Carton Quantity
650-103HC	1/2 PF X 1/2 MPT ADPT	-	24
650-103PK8	1/2 PF X 1/2 MPT ADPT - 8 PACK	-	4
650-104HC	3/4 PF X 3/4 MPT ADPT	-	12



ADAPTER • FEMALE

Item No.	Product Description	Inner Quantity	Master Carton Quantity
650-203HC	1/2 PF X 1/2 FPT ADPT	-	12
650-203PK8	1/2 PF X 1/2 FPT ADPT - 8 PACK	-	4
650-204HC	3/4 PF X 3/4 FPT ADPT	-	12



REPAIR COUPLING

Item No.	Product Description	Inner Quantity	Master Carton Quantity
650-303HC	1/2 X 1/2 PF RPAIR CPLNG	-	6
650-304HC	3/4 X 3/4 PF RPAIR CPLNG	-	6



ELBOW

Item No.	Product Description	Inner Quantity	Master Carton Quantity
651-003HC	1/2 X 1/2 PF ELBOW	-	24
651-003PK6	1/2 X 1/2 PF ELBOW - 6 PACK	-	6
651-004HC	3/4 X 3/4 PF ELBOW	-	24

COPPER PUSH FIT



TEE

Item No.	Product Description	Inner Quantity	Master Carton Quantity
652-003HC	1/2 X 1/2 X 1/2 PF TEE	-	24
652-004HC	3/4 X 3/4 X 3/4 PF TEE	-	12



CAP

Item No.	Product Description	Inner Quantity	Master Carton Quantity
653-003HC	1/2 PF CAP	-	24
653-003PK8	1/2 PF CAP - 8 PACK	-	4
653-004HC	3/4 PF CAP	-	12



BRASS PUSH FIT

The Brass Push Fit fittings provide for simple installations and long-lasting reliability. Easy installation is what makes these fittings stand out among all the others. These fittings are water-tight when installed and have reliable connections so you don't have to worry about leaks or loose connections.



COUPLING

Item No.	Product Description	Inner Quantity	Master Carton Quantity
630-001	1/4 X 1/4 PF CPLNG	60	240
630-002	3/8 X 3/8 PF CPLNG	50	200
630-003	1/2 X 1/2 PF CPLNG	40	160
630-003HC	1/2 X 1/2 PF CPLNG	-	24
630-003PK8	1/2 X 1/2 PF CPLNG - 8 PACK	-	4
637-003HC	1/2 X 1/2 PF X POLYBUTELYNE	-	24
630-004HC	3/4 X 3/4 PF CPLNG	-	24
630-004PK6	3/4 X 3/4 PF CPLNG - 6 PACK	-	6
637-004HC	3/4 X 3/4 PF X POLYBUTELYNE	-	24
630-005HC	1 X 1 PF CPLNG	-	12
630-006	1-1/4 X 1-1/4 PF CPLNG	10	40
630-007	1-1/2 X 1-1/2 PF CPLNG	6	24
630-008	2 X 2 PF CPLNG	4	16



COUPLING • REDUCING

Item No.	Product Description	Inner Quantity	Master Carton Quantity
630-023	3/8 X 1/2 PF CPLNG	50	200
630-023HC	3/8 X 1/2 PF CPLNG	-	12
630-043HC	3/4 X 1/2 PF CPLNG	-	12
630-054HC	1 X 3/4 PF CPLNG	-	6



ADAPTER • MALE

Item No.	Product Description	Inner Quantity	Master Carton Quantity
630-103HC	1/2 PF X 1/2 MPT ADPT	-	24
630-103PK8	1/2 PF X 1/2 MPT ADPT - 8 PACK	-	4
630-104HC	3/4 PF X 3/4 MPT ADPT	-	12
630-105HC	1 PF X 1 MPT ADPT	-	6
630-106	1-1/4 PF X 1-1/4 MPT ADP	10	40
630-107	1-1/2 PF X 1-1/2 MPT ADP	8	32
630-108	2 PF X 2 MPT ADPT	8	32



ADAPTER • MALE • REDUCING

Item No.	Product Description	Inner Quantity	Master Carton Quantity
630-134	1/2 PF X 3/4 MPT ADPT	30	120
630-134HC	1/2 PF X 3/4 MPT ADPT	-	6
630-154	1 PF X 3/4 MPT ADPT	25	100
630-154HC	1 PF X 3/4 MPT ADPT	-	6

BRASS PUSH FIT



ADAPTER • FEMALE

Item No.	Product Description	Inner Quantity	Master Carton Quantity
630-203CBP	1/2 PF X 1/3 FPT ADPT - CHROME PLATED - BULK PACK	25	250
630-203HC	1/2 PF X 1/2 FPT ADPT	-	12
630-203PK8	1/2 PF X 1/2 FPT ADPT - 8 PACK	-	4
630-204HC	3/4 PF X 3/4 FPT ADPT	-	12
630-205HC	1 PF X 1 FPT ADPT	-	6
630-206	1-1/4 PF X 1-1/4 FPT ADP	10	40
630-207	1-1/2 PF X 1-1/2 FPT ADP	8	32
630-208	2 PF X 2 FPT ADPT	8	32



ADAPTER • FEMALE • REDUCING

Item No.	Product Description	Inner Quantity	Master Carton Quantity
630-223HC	3/8 PF X 1/2 FPT ADPT	-	6
630-234HC	1/2 PF X 3/4 FPT ADPT	-	6



REPAIR COUPLING

Item No.	Product Description	Inner Quantity	Master Carton Quantity
630-303HC	1/2 X 1/2 PF RPAIR CPLNG	-	6
630-304HC	3/4 X 3/4 PF RPAIR CPLNG	-	6
630-305HC	1 X 1 PF RPAIR CPLNG	-	3



ELBOW

Item No.	Product Description	Inner Quantity	Master Carton Quantity
631-001	1/4 X 1/4 PF EL	60	240
631-002	3/8 X 3/8 PF EL	40	160
631-003	1/2 X 1/2 PF EL	40	160
631-003HC	1/2 X 1/2 PF EL	-	24
631-003PK6	1/2 X 1/2 PF EL - 6 PACK	-	6
631-004	3/4 X 3/4 PF EL	25	100
631-004HC	3/4 X 3/4 PF EL	-	24
631-005HC	1 X 1 PF EL	-	12
631-006	1-1/4 X 1-1/4 PF EL	8	32
631-007	1-1/2 X 1-1/2 PF EL	6	24
631-008	2 X 2 PF EL	6	24



ELBOW • REDUCING

Item No.	Product Description	Inner Quantity	Master Carton Quantity
631-043	3/4 X 1/2 PF EL	25	100
631-043HC	3/4 X 1/2 PF EL	-	6
631-054	1 X 3/4 PF EL	15	60
631-054HC	1 X 3/4 PF EL	-	6



DROP EAR ELBOW

Item No.	Product Description	Inner Quantity	Master Carton Quantity
631-103HC	1/2 X 1/2 FPT PF DRP EAR	-	12
631-104HC	3/4 X 1/2 FPT PF DRP EAR	-	12



90° ELBOW ADAPTER • PF X MPT

Item No.	Product Description	Inner Quantity	Master Carton Quantity
631-203HC	1/2 PF X 1/2 MPT EL	-	6



90° ELBOW ADAPTER • PF X FPT

Item No.	Product Description	Inner Quantity	Master Carton Quantity
631-303HC	1/2 PF X 1/2 FPT EL	-	6



TEE

Item No.	Product Description	Inner Quantity	Master Carton Quantity
632-001	1/4 X 1/4 X 1/4 PF TEE	40	160
632-002	3/8 X 3/8 X 3/8 PF TEE	30	120
632-003	1/2 X 1/2 X 1/2 PF TEE	30	120
632-003HC	1/2 X 1/2 X 1/2 PF TEE	-	24
632-004	3/4 X 3/4 X 3/4 PF TEE	20	80
632-004HC	3/4 X 3/4 X 3/4 PF TEE	-	12
632-005HC	1 X 1 X 1 PF TEE	-	6



TEE • REDUCING

Item No.	Product Description	Inner Quantity	Master Carton Quantity
632-433HC	3/4 X 1/2 X 1/2 PF TEE	-	6
632-434HC	3/4 X 1/2 X 3/4 PF TEE	-	6
632-443	3/4 X 3/4 X 1/2 PF TEE	20	80
632-443HC	3/4 X 3/4 X 1/2 PF TEE	-	12
632-554HC	1 X 1 X 3/4 PF TEE	-	6

BRASS PUSH FIT



CAP

Item No.	Product Description	Inner Quantity	Master Carton Quantity
633-001	1/4 PF CAP	60	240
633-002	3/8 PF CAP	50	200
633-003HC	1/2 PF CAP	-	24
633-003PK8	1/2 PF CAP - 8 PACK	-	4
633-004HC	3/4 PF CAP	-	12
633-005	1 PF CAP	25	100
633-005HC	1 PF CAP	-	12
633-006	1-1/4 PF CAP	12	48
633-007	1-1/2 PF CAP	8	32
633-008	2 PF CAP	6	24



BALL VALVE • FORGED BRASS • 200 PSI NON-SHOCK FULL PORT • PREMIUM • PUSH-FIT

Item No.	Product Description	Inner Quantity	Master Carton Quantity
107-062HC	NO LEAD 3/8" PUSH FIT	-	10
107-063	NO LEAD 1/2" PUSH FIT	25	100
107-063HC	NO LEAD 1/2" PUSH FIT	-	12
107-064	NO LEAD 3/4" PUSH FIT	15	60
107-064HC	NO LEAD 3/4" PUSH FIT	-	12
107-065	NO LEAD 1" PUSH FIT	15	60
107-065HC	NO LEAD 1" PUSH FIT	-	6



VALVE ADAPTERS

Item No.	Product Description	Inner Quantity	Master Carton Quantity
634-103HC	1/2 PF X 1/2MPT VLV ADPT	-	12
634-104HC	3/4 PF X 3/4MPT VLV ADPT	-	12
634-203HC	1/2 PF X 1/2FPT VLV ADPT	-	12
634-204HC	3/4 PF X 3/4FPT VLV ADPT	-	12



REPAIR HOSE

Item No.	Product Description	Inner Quantity	Master Carton Quantity
635-003	1/2 PF X 12"	-	10
635-004	3/4 PF X 12"	-	10



DISCONNECTING CLIP

Item No.	Product Description	Inner Quantity	Master Carton Quantity
636-001	1/4 PF DISCONNECT CLIP	100	400
636-002	3/8 DISCONNECT CLIP	100	400
636-003HC	1/2 PF DISCONNECT CLIP	-	48
636-004HC	3/4 PF DISCONNECT CLIP	-	48
636-005	1 PF DISCONNECT CLIP	100	400
636-005HC	1 PF DISCONNECT CLIP	-	24
636-006	1-1/4 PF DISCONNECT CLIP	10	40
636-007	1-1/2 PF DISCONNECT CLIP	10	40
636-009	2 PF DISCONNECT CLIP	10	40



PEX STIFFENER

Item No.	Product Description	Inner Quantity	Master Carton Quantity
636-102HC	3/8 PF STIFFENER	-	48
636-103HC	1/2 PF STIFFENER	-	48
636-104HC	3/4 PF STIFFENER	-	48
636-105HC	1 PF STIFFENER	-	24



PLASTIC PUSH FIT

The Plastic Push Fit category is unique in that you secure your connection by using the twist-lock function. These fittings require no tools or locking clips for installation and they install in seconds. These fittings can be used with any tube from metallic to soft vinyl - including copper, PEX & CPVC.

PLASTIC (POLYSULFONE) PUSH-FIT

Item No.	Product Description	Inner Quantity	Master Carton Quantity
648-900	PLASTIC PUSH-FIT STARTER KIT	-	1



COUPLING

Item No.	Product Description	Inner Quantity	Master Carton Quantity
640-023	3/8 OD X 1/2 OD CPLNG	10	160
640-122HC	3/8 X 3/8 CPLNG-PF X PF	-	10
640-131HC	1/2 X 1/4 CPLNG-PF X PF	-	10
640-132HC	1/2 X 3/8 CPLNG-PF X PF	-	10
640-133HC	1/2 X 1/2 CPLNG-PF X PF	-	10
640-133BG	1/2 X 1/2 OD COUPLING	-	60
640-143HC	3/4 X 1/2 CPLNG-PF X PF	-	10
640-144HC	3/4 X 3/4 CPLNG-PF X PF	-	5
640-154HC	1 X 3/4 CPLNG-PF X PF	-	5
640-155HC	1 X 1 CPLNG-PF X PF	-	5



STEM ADAPTER

Item No.	Product Description	Inner Quantity	Master Carton Quantity
640-223HC	3/8 STM X 1/2 ADPT-PF X STEM	-	10
640-243HC	3/4 X 1/2 STM ADPT-PF X STEM	-	10
640-245HC	3/4 STM X 1 ADPT-PF X STEM	-	5



ADAPTER • MALE

Item No.	Product Description	Inner Quantity	Master Carton Quantity
640-310	1/4 OD X 1/8 MIP ADPT	10	160
640-311	1/4 OD X 1/4 MIP ADPT	10	160
640-312	1/4 OD X 3/8 MIP ADPT	10	160
640-313	1/4 OD X 1/2 MIP ADPT	10	160
640-321	3/8 OD X 1/4 MIP ADPT	10	160
640-322	3/8 OD X 3/8 MIP ADPT	10	160
640-323	3/8 OD X 1/2 MIP ADPT	10	160
640-423	3/8 X 1/2 MIP ADPT	10	160
640-423HC	3/8 X 1/2 MIP ADPT-PF X MPT	-	10
640-433HC	1/2 X 1/2 MIP ADPT-PF X MPT	-	10
640-434HC	1/2 X 3/4 MIP ADPT-PF X MPT	-	10
640-444HC	3/4 X 3/4 MIP ADPT-PF X MPT	-	5
640-455HC	1 X 1 MIP ADPT-PF X MPT	-	5

PLASTIC PUSH FIT



ADAPTER • FEMALE

Item No.	Product Description	Inner Quantity	Master Carton Quantity
640-511	1/4 OD X 1/4 FIP ADPT	10	160
640-521	3/8 OD X 1/4 FIP ADPT	10	160
640-523	3/8 OD X 1/2 FIP ADPT	10	160
640-623HC	3/8 X 1/2 FIP ADPT-PF X FPT	-	10
640-633HC	1/2 X 1/2 FIP ADPT-PF X FPT	-	10
640-634HC	1/2 X 3/4 FIP ADPT-PF X FPT	-	10
640-644HC	3/4 X 3/4 FIP ADPT-PF X FPT	-	5



ADAPTER • MALE

Item No.	Product Description	Inner Quantity	Master Carton Quantity
640-310BG	1/4 OD X 1/8 MIP ADPT	-	60
640-311BG	1/4 OD X 1/4 MIP ADPT	-	60
640-312BG	1/4 OD X 3/8 MIP ADPT	-	60
640-313BG	1/4 OD X 1/2 MIP ADPT	-	60
640-321BG	3/8 OD X 1/4 MIP ADPT	-	60
640-322BG	3/8 OD X 3/8 MIP ADPT	-	60
640-323BG	3/8 OD X 1/2 MIP ADPT	-	60



PUSH FIT COUPLING

Item No.	Product Description	Inner Quantity	Master Carton Quantity
640-011BG	1/4 X 1/4 OD COUPLING	-	60
640-024BG	5/16 X 5/16 OD COUPLING	-	60
640-025BG	5/16 X 1/4 OD COUPLING	-	60
640-022BG	3/8 X 3/8 OD COUPLING	-	60
640-021BG	3/8 X 1/4 OD COUPLING	-	60



GARDEN HOSE ADAPTER • FEMALE

Item No.	Product Description	Inner Quantity	Master Carton Quantity
640-714	1/4 OD X 3/4 FGH ADPT	10	160
640-734HC	1/2 X 3/4 FGH ADPT-PF X FGH	-	10



SWIVEL ADAPTER • FEMALE

Item No.	Product Description	Inner Quantity	Master Carton Quantity
640-802	3/8 X 1/2 FIP SWVL ADPT	10	160
640-803HC	1/2 X 1/2 FIP SWVL ADPT-PF X FPT OR BC	-	10
640-853HC	1/2 X 7/8 BC SWVL ADPT-PF X FPT OR BC	-	10



SLIP COUPLING

Item No.	Product Description	Inner Quantity	Master Carton Quantity
640-903HC	1/2 X 1/2 SLIP CPLNG-PF X PF	-	10
640-904HC	3/4 X 3/4 SLIP CPLNG-PF X PF	-	5



ELBOW

Item No.	Product Description	Inner Quantity	Master Carton Quantity
641-011	1/4 OD X 1/4 OD EL	10	160
641-011BG	1/4 OD X 1/4 OD ELBOW	-	60
641-022	3/8 OD X 3/8 OD EL	10	160
641-022BG	3/8 OD X 3/8 OD ELBOW	-	60
641-122	3/8 X 3/8 EL	10	160
641-122HC	3/8 X 3/8 EL-PF X PF	-	10
641-133HC	1/2 X 1/2 EL-PF X PF	-	10
641-143HC	3/4 X 1/2 EL-PF X PF	-	10
641-144HC	3/4 X 3/4 EL-PF X PF	-	5
641-155HC	1 X 1 EL-PF X PF	-	5



ELBOW • MALE

Item No.	Product Description	Inner Quantity	Master Carton Quantity
641-210	1/4 OD X 1/8 MIP EL	10	160
641-211	1/4 OD X 1/4 MIP EL	10	160
641-211BG	1/4 OD X 1/4 MIP ELBOW	-	60
641-212	1/4 OD X 3/8 MIP EL	10	160
641-221	3/8 OD X 1/4 MIP EL	10	160
641-221BG	3/8 OD X 1/4 MIP ELBOW	-	60
641-222	3/8 OD X 3/8 MIP EL	10	160
641-222BG	3/8 OD X 3/8 MIP ELBOW	-	60
641-233	1/2 OD X 1/2 MIP EL	10	160
641-333HC	1/2 X 1/2 MIP EL-PF X MPT	-	10



ELBOW • FEMALE

Item No.	Product Description	Inner Quantity	Master Carton Quantity
641-433HC	1/2 X 1/2 FIP NUT EL-PF X FPT OR BC	-	10
641-634HC	1/2 X 3/4 FIP BCOCK EL-PF X FPT OR BC	-	10



GARDEN HOSE ELBOW • FEMALE

Item No.	Product Description	Inner Quantity	Master Carton Quantity
641-534HC	1/2 X 3/4 FGH EL-PF X FGH	-	10

PLASTIC PUSH FIT



DROP EAR ELBOW

Item No.	Product Description	Inner Quantity	Master Carton Quantity
641-733HC	1/2 X 1/2 FIP DROP EAR-PF X FPT	-	10



STEM ELBOW

Item No.	Product Description	Inner Quantity	Master Carton Quantity
641-833HC	1/2 X 1/2 STEM EL ADPT-PF X STEM	-	10
641-844HC	3/4 X 3/4 STEM EL ADPT-PF X STEM	-	5



TEE

Item No.	Product Description	Inner Quantity	Master Carton Quantity
642-000	1/4 X 1/4 X 1/4 OD TEE	10	160
642-000BG	1/4 X 1/4 X 1/4 OD TEE	-	60
642-110	3/8 X 3/8 X 1/4 OD TEE	10	160
642-111	3/8 X 3/8 X 3/8 OD TEE	10	160
642-111BG	3/8 X 3/8 X 3/8 OD TEE	-	60
642-222	3/8 X 3/8 X 3/8 TEE	10	160
642-222HC	3/8 X 3/8 X 3/8 TEE-PF X PF X PF	-	10
642-330HC	1/2 X 1/2 X 1/8 TEE-PF X PF X PF	-	10
642-333HC	1/2 X 1/2 X 1/2 TEE-PF X PF X PF	-	10
642-433HC	3/4 X 1/2 X 1/2 TEE-PF X PF X PF	-	10
642-443HC	3/4 X 3/4 X 1/2 TEE-PF X PF X PF	-	5
642-444HC	3/4 X 3/4 X 3/4 TEE-PF X PF X PF	-	5



SLIP TEE

Item No.	Product Description	Inner Quantity	Master Carton Quantity
642-930HC	1/2 X 1/2 X 1/8 SLIP TEE-PF X PF X PF	-	10



STEM TEE

Item No.	Product Description	Inner Quantity	Master Carton Quantity
642-943HC	1/2 X 1/2 X 1/2 STEM TEE-PF X PF X STEM	-	10
642-944HC	3/4 X 3/4 X 3/4 STEM TEE-PF X PF X STEM	-	5



CAP

Item No.	Product Description	Inner Quantity	Master Carton Quantity
643-000	1/4 OD END CAP	10	160
643-001	3/8 OD END CAP	10	160
643-002	1/2 OD END CAP	10	160
643-003HC	1/2 END CAP-PF	-	10
643-004HC	3/4 END CAP-PF	-	10
643-005HC	1 END CAP-PF	-	10



ANGLE VALVE

Item No.	Product Description	Inner Quantity	Master Carton Quantity
644-013HC	1/4 X 1/2 ANG VLV-PF X PF	-	10



STRAIGHT VALVE

Item No.	Product Description	Inner Quantity	Master Carton Quantity
644-100	1/4 OD X 1/4 OD STR VLV	10	160
644-100BG	1/4 OD X 1/4 OD STR VLV	-	60
644-103HC	1/4 OD X 1/2 STR VLV-PF X PF	-	10
644-111	3/8 OD X 3/8 OD STR VLV	10	160
644-122HC	3/8 X 3/8 STR VLV-PF X PF	-	5
644-123HC	3/8 X 1/2 STR VLV-PF X PF	-	5
644-133HC	1/2 X 1/2 STR VLV-PF X PF	-	5
644-144HC	3/4 X 3/4 STR VLV-PF X PF	-	3
644-411BG	1/4 OD X 1/4 MIP STR VLV	-	60



ANGLE VALVE • FEMALE

Item No.	Product Description	Inner Quantity	Master Carton Quantity
644-213HC	1/4 X 1/2 FIP ANG VLV-PF X FPT	-	10
644-223HC	3/8 X 1/2 FIP ANG VLV-PF X FPT	-	10



STRAIGHT VALVE • MALE

Item No.	Product Description	Inner Quantity	Master Carton Quantity
644-313HC	1/4 X 1/2 FIP STR VLV-PF X FPT	-	10
644-411	1/4 OD X 1/4 MIP STR VLV	10	160
644-422	3/8 OD X 3/8 MIP STR VLV	10	160

PLASTIC PUSH FIT



SLIP T VALVE

Item No.	Product Description	Inner Quantity	Master Carton Quantity
644-630HC	1/2 X 1/4 OD SLIP T VLV-PF X PF	-	10
644-640HC	3/4 X 1/4 OD SLIP T VLV-PF X PF	-	5



STOP VALVE ADAPTER

Item No.	Product Description	Inner Quantity	Master Carton Quantity
645-000HC	1/4 OD STOP VLV ADPT-PF X PF	-	10
645-001HC	3/8 OD STOP VLV ADPT-PF X PF	-	10



FAUCET VALVE ADAPTER

Item No.	Product Description	Inner Quantity	Master Carton Quantity
645-230HC	1/4 OD FAUCET VLV ADPT-PF X PF	-	10
645-231HC	3/8 OD FAUCET VLV ADPT-PF X PF	-	10
645-330	1/4" OD FAUCET ADPT	10	160
645-331	3/8" OD FAUCET ADPT	10	160
645-400	1/4" OD X 7/16", 24" FC ADPT	10	160



ELECTRO PUSHFIT

Electro Push Fit fittings are similar to the other push fittings except these are designed to work for electrical needs. These fittings work ideally with electrical conduit. These fittings have removable back panels for any electrician to find the wiring needed and get right to work.



COUPLING • ZINC CONDUIT



Item No.	Product Description	Inner Quantity	Master Carton Quantity
660-003HC	1/2 PF CONDUIT COUPLING	-	20
660-004HC	3/4 PF CONDUIT COUPLING	-	20



ADAPTER • ZINC CONDUIT



Item No.	Product Description	Inner Quantity	Master Carton Quantity
660-403HC	1/2 PF X M QC JUNCTION ADAPTER	-	20
660-404HC	3/4 PF X M QC JUNCTION ADAPTER	-	12



ADAPTER WITH L-NUT • ZINC CONDUIT



Item No.	Product Description	Inner Quantity	Master Carton Quantity
660-503HC	1/2 PF MNPT ADAPTER W/ LOCK NUT	-	20
660-504HC	3/4 PF MNPT ADAPTER W/ LOCK NUT	-	12



ELBOW • ZINC CONDUIT



Item No.	Product Description	Inner Quantity	Master Carton Quantity
661-003HC	1/2 PF JUNCTION ELBOW	-	12
661-004HC	3/4 PF JUNCTION ELBOW	-	10



ELBOW W/ JUNCTION ADAPTER • ZINC CONDUIT



Item No.	Product Description	Inner Quantity	Master Carton Quantity
661-203HC	1/2 PF X MNPT JUNCTION ELBOW	-	12
661-204HC	3/4 PF X MNPT JUNCTION ELBOW	-	10



ELBOW BOX CONNECTOR • ZINC CONDUIT



Item No.	Product Description	Inner Quantity	Master Carton Quantity
661-503HC	1/2 PF ELBOW BOX CONNECTOR	-	8
661-504HC	3/4 PF ELBOW BOX CONNECTOR	-	4



FAUCETS

For more than three decades, B&K has been providing durable and reliable faucets in a variety of styles and finishes. B&K's selection of kitchen, bath and specialty faucets are designed to be fashionable, affordable and dependable. All of our faucets are tested under the strictest quality standards to meet all current environmental and industry standards.



KITCHEN FAUCET • SINGLE METAL LEVER HANDLE PULLOUT

Item No.	Product Description	Inner Quantity	Master Carton Quantity
229-001	DECORATIVE - FCT KIT 1LH PULLOUT CP W/DP	-	6
229-002	DECORATIVE - FCT KIT 1LH PULLOUT BN W/DP	-	6



KITCHEN FAUCET • SINGLE METAL LEVER HANDLE PULLDOWN

Item No.	Product Description	Inner Quantity	Master Carton Quantity
229-003	DECORATIVE - FCT KIT 1LH PULL DOWN CP W/DP	-	6
229-004	DECORATIVE - FCT KIT 1LH PULLDOWN BN W/DP	-	6
229-0027	DECORATIVE - FCT KIT 1LH PULLDOWN ORB W/DP	-	6



KITCHEN FAUCET • TWO METAL LEVER HANDLE HIGH ARC W/ MATCHING FINISH SPRAY

Item No.	Product Description	Inner Quantity	Master Carton Quantity
229-005	DECORATIVE - FCT KIT 2H HIGH ARCH SPOUT CP W/SPY	-	6
229-030	DECORATIVE - FCT KIT 2H HIGH ARCH SPOUT CP	-	6
229-006	DECORATIVE - FCT KIT 2H HIGH ARCH SPOUT BN W/SPY	-	6



KITCHEN FAUCET • TWO METAL LEVER HANDLE W/ MATCHING FINISH SPRAY

Item No.	Product Description	Inner Quantity	Master Carton Quantity
229-017	DECORATIVE - FCT KIT 2LH HI ARC SPOUT, CP W/SPY	-	6
229-018	DECORATIVE - FCT KIT 2LH HI ARC SPOUT, BN W/SPY	-	6



KITCHEN FAUCET • SINGLE METAL LEVER HANDLE W/ BLACK SPRAY

Item No.	Product Description	Inner Quantity	Master Carton Quantity
222-412	FCT KIT 1LH CHR RD (222-417)	-	6
222-413	FCT KIT 1LH CHR W/SPY RD (222-418)	-	6
222-422	FCT KIT 1LH BN RD (222-420)	-	6
222-423	FCT KIT 1LH BN W/SPY RD (222-421)	-	6



KITCHEN FAUCET • SINGLE METAL LEVER HANDLE W/ BLACK SPRAY ON DECK

Item No.	Product Description	Inner Quantity	Master Carton Quantity
222-414	FCT KIT 1LH CH W/SPY ON (222-419)	-	6



KITCHEN FAUCET • TWO ACRYLIC HANDLE W/ BLACK SPRAY • ROUND BASE

Item No.	Product Description	Inner Quantity	Master Carton Quantity
222-403H	FCT KIT 2AH, CHR RD (222-400H)	-	6
222-404H	FCT KIT 2AH, CHR W/SPY RD (222-401H)	-	6



KITCHEN FAUCET • TWO ACRYLIC HANDLE W/ BLACK SPRAY • SQUARE BASE

Item No.	Product Description	Inner Quantity	Master Carton Quantity
222-609H	FCT KIT 2RA CP WITHOUT SPARY SQ (222-608H)	-	6
222-619H	FCT KIT 2RA CP WITH SPRAY SQ (222-618H)	-	6



KITCHEN FAUCET • TWO METAL SHORT LEVER HANDLE • ROUND BASE

Item No.	Product Description	Inner Quantity	Master Carton Quantity
222-405H	FCT KIT 2RH CHR RD (222-402H)	-	6



KITCHEN FAUCET • TWO METAL HANDLE W/ BLACK SPRAY • SQUARE BASE

Item No.	Product Description	Inner Quantity	Master Carton Quantity
222-508NL	TWO METAL HANDLE, CHROME WITHOUT SPRAY	-	6
222-518NL	TWO METAL HANDLE, CHROME, WITH SPRAY	-	6



KITCHEN FAUCET • TWO METAL LEVER HANDLE HIGH ARC W/ BLACK SPRAY • ROUND BASE

Item No.	Product Description	Inner Quantity	Master Carton Quantity
222-738H	TWO WHITE LEVER HANDLE - HI ARC, CHROME	-	6



KITCHEN FAUCET • SINGLE METAL LEVER HANDLE W/ BLACK SPRAY • SQUARE BASE

Item No.	Product Description	Inner Quantity	Master Carton Quantity
222-108	SINGLE METAL LEVER HANDLE, CHROME WITHOUT SPRAY	-	6
222-118	SINGLE METAL LEVER HANDLE, CHROME WITH BLACK SPRAY	-	6



NON-METALLIC KITCHEN FAUCET

Item No.	Product Description	Inner Quantity	Master Carton Quantity
122-018	NON METALLIC - DUAL ACRYLIC HANDLES, NO SPRAY, CHROME	-	12
122-018RP	NON METALLIC - DUAL HANDLES, ACRYLIC HANDLE, CHROME, LESS SPRAY - CLAMSHELL PACKAGE	-	12
122-028	NON METALLIC -DUAL ACRYLIC HANDLES W/SPRAY, CHROME	-	12
122-028RP	NON METALLIC - DUAL HANDLES, ACRYLIC HANDLE, CHROME, W/SPRAY - CLAMSHELL PACKAGE	-	12



NON-METALLIC KITCHEN FAUCET

Item No.	Product Description	Inner Quantity	Master Carton Quantity
122-038	NON METALLIC - LEVER HANDLE, CHROME	-	12
122-048	NON METALLIC - SINGLE HANDLE CENTERX, LEVER HANDLE W/SPRAY, CHROME	-	12



LAVATORY FAUCET • SINGLE METAL LEVER HANDLE W/ POP-UP • ROUND BASE

Item No.	Product Description	Inner Quantity	Master Carton Quantity
229-007	DECORATIVE - FCT LAV 1LH 4CC CP W-P/U	-	12
229-008	DECORATIVE - FCT LAV 1LH 4CC BN W-P/U	-	12



LAVATORY FAUCET • TWO METAL LEVER HANDLE W/ POP-UP • ROUND BASE

Item No.	Product Description	Inner Quantity	Master Carton Quantity
229-009	DECORATIVE - FCT LAV 2LH 4CC CP W-P/U	-	12
229-010	DECORATIVE - FCT LAV 2LH 4CC BN W-P/U	-	12



LAVATORY FAUCET • TWO METAL LEVER HANDLE WIDESPREAD W/ POP-UP

Item No.	Product Description	Inner Quantity	Master Carton Quantity
229-011	DECORATIVE - FCT LAV 2LH WIDESPREAD CP W-P/U	-	6
229-012	DECORATIVE - FCT LAV 2LH WIDESPREAD BN W-P/U	-	6
229-028	DECORATIVE - FCT LAV 2LH WIDESPREAD ORB W-P/U	-	6



LAVATORY FAUCET • SINGLE METAL LEVER HANDLE W/ POP-UP • ROUND BASE

Item No.	Product Description	Inner Quantity	Master Carton Quantity
222-333	FCT LAV 1LH CP W/O POP-UP (222-330)	-	6
222-334	FCT LAV 1LH CP WITH POP-UP (222-331)	-	6
222-340	FCT LAV 1LH BN W/O-POP-UP (222-338)	-	6
222-341	FCT LAV 1LH BN WITH POP-UP (222-339)	-	6



LAVATORY FAUCET • SINGLE ACRYLIC HANDLE W/ POP-UP • ROUND BASE

Item No.	Product Description	Inner Quantity	Master Carton Quantity
222-328	FCT LAV 1RA CP L-P/U RD (222-326) WITHOUT POP-UP	-	6
222-329	FCT LAV 1RA CP BRP/U (222-327)	-	6



LAVATORY FAUCET • SINGLE ACRYLIC HANDE W/ POP-UP • SQUARE BASE

Item No.	Product Description	Inner Quantity	Master Carton Quantity
221-104	SINGLE ACRYLIC HANDLE, CHROME, NO POP-UP	-	6
221-114	SINGLE ACRYLIC HANDLE, CHROME, POP-UP	-	6



LAVATORY FAUCET • SINGLE ACRYLIC HANDE W/ POP-UP • SQUARE BASE

Item No.	Product Description	Inner Quantity	Master Carton Quantity
221-005NL	FCT LAV COMP MH L-P/U CP (221-004NL), NO POP-UP	-	6
221-505NL	FCT LAV COMP MH W-P/U CP (221-504NL)	-	6



LAVATORY FAUCET • TWO METAL HANDE W/ POP-UP • ROUND BASE

Item No.	Product Description	Inner Quantity	Master Carton Quantity
222-311H	TWO METAL LEVER HANDLE, CHROME, NO POP-UP	-	6
222-312H	TWO METAL LEVER HANDLE, CHROME, POP-UP	-	6
222-337H	TWO METAL LEVER HANDLE, CHROME, FIXED GRID DRAIN	-	6



LAVATORY FAUCET • TWO ACRYLIC HANDE W/ POP-UP • ROUND BASE

Item No.	Product Description	Inner Quantity	Master Carton Quantity
222-302H	FCT LAV 2RA CP W/O POP-UP RD (222-300H), NO POP-UP	-	6
222-303H	FCT LAV 2RA CP BR POP-UP RD (222-301H)	-	6



LAVATORY FAUCET • TWO ACRYLIC HANDE W/ POP-UP • SQUARE BASE

Item No.	Product Description	Inner Quantity	Master Carton Quantity
221-605H	FCT LAV 2RA CP W/O POP-UP SQ (221-604H),NO POP-UP	-	6
221-615H	FCT LAV 2RA CP BR POP-UP SQ (221-614H)	-	6



LAVATORY FAUCET • SINGLE METAL HANDLE W/ POP-UP

Item No.	Product Description	Inner Quantity	Master Carton Quantity
221-804	SINGLE METAL HANDLE, CHROME, NO POP-UP	-	6
221-814	SINGLE METAL HANDLE, CHROME, POP-UP	-	6



LAVATORY FAUCET • NON-METALLIC • TWO ACRYLIC HANDLE W/ POP-UP

Item No.	Product Description	Inner Quantity	Master Carton Quantity
121-014	NON METALLIC - DUAL HANDLES, ACRYLIC HANDLE, CHROME, NO POP-UP	-	12
121-014RP	NON METALLIC - DUAL HANDLES, ACRYLIC HANDLE, CHROME, NO POP-UP	-	12
121-024	NON METALLIC - DUAL HANDLES, ACRYLIC HANDLE W/ POP UP, CHROME	-	12
121-024RP	NON METALLIC - DUAL HANDLES, ACRYLIC HANDLE W/ POP UP, CHROME	-	12



LAVATORY FAUCET • NON-METALLIC • SINGLE ACRYLIC HANDLE W/ POP-UP

Item No.	Product Description	Inner Quantity	Master Carton Quantity
121-044	NON METALLIC - ACRYLIC HANDLE, CHROME, NO POP-UP	-	12
121-044RP	NON METALLIC - ACRYLIC HANDLE, CHROME, CLAMSHELL PACKAGE, NO POP-UP	-	
121-054	NON METALLIC - ACRYLIC HANDLE W/POP UP, CHROME	-	12



TUB & SHOWER • ROMAN TUB FAUCET

Item No.	Product Description	Inner Quantity	Master Carton Quantity
229-015	DECORATIVE - FCT ROM TUB 2LH CP	-	6
229-016	DECORATIVE - FCT ROM TUB 2LH BN	-	6



TUB & SHOWER • SINGLE METAL LEVER HANDLE W/ SELF CLEANING SHOWERHEAD

Item No.	Product Description	Inner Quantity	Master Carton Quantity
229-013	DECORATIVE - FCT T&S 1LH CP W-SHAF	-	6
229-014	DECORATIVE - FCT T&S 1LH BN W-SHAF	-	6
229-029	DECORATIVE - FCT T&S 1LH ORB W-SHAF	-	



TUB & SHOWER • SINGLE METAL LEVER HANDLE W/ SELF CLEANING SHOWERHEAD

Item No.	Product Description	Inner Quantity	Master Carton Quantity
229-023	DECORATIVE - FCT SHOWER 1LH CP PB	-	6
229-024	DECORATIVE - FCT SHOWER 1LH BN PB	-	6
229-025	DECORATIVE - FCT T&S 1LH CP PB	-	6
229-026	DECORATIVE - FCT T&S 1LH BN PB	-	6



TUB & SHOWER • SINGLE METAL LEVER HANDLE W/ SELF CLEANING SHOWERHEAD

Item No.	Product Description	Inner Quantity	Master Carton Quantity
222-225	FCT T&S 1LH CP NON-PB (222-224)	-	6
222-231	FCT SHOWER 1LH CP NON-PB (222-230)	-	6



TUB & SHOWER • SINGLE ACRYLIC HANDLE W/ BASIC SHOWERHEAD

Item No.	Product Description	Inner Quantity	Master Carton Quantity
221-204	FCT T&S 1RA CP NON-PB (221-202)	-	6
221-205	FCT SHOWER 1RA CP NON-BP (221-203)	-	6



TUB & SHOWER • TWO ACRYLIC HANDLE W/ BASIC SHOWERHEAD

Item No.	Product Description	Inner Quantity	Master Carton Quantity
222-212	FCT T&S 2RA CP NON-PB (222-210)	-	6
222-217	FCT SHOWER 2RA CP NON-PB (222-216)	-	6
222-219	FCT TUB 2RA CP NON-PB (222-218)	-	6



TUB & SHOWER • THREE ACRYLIC HANDLE W/ BASIC SHOWERHEAD

Item No.	Product Description	Inner Quantity	Master Carton Quantity
222-215	FCT T&S 3AH CP NON-PB (222-213)	-	6



TUB & SHOWER • TWO METAL ROUND HANDLE W/ BASIC SHOWERHEAD

Item No.	Product Description	Inner Quantity	Master Carton Quantity
221-000	TWO METAL HANDLE, CHROME TUB ONLY	-	6
221-002	TWO METAL HANDLE, CHROME	-	6
221-003	TWO METAL HANDLE, CHROME SHOWER ONLY	-	6



TUB & SHOWER • THREE METAL ROUND HANDLE W/ BASIC SHOWERHEAD

Item No.	Product Description	Inner Quantity	Master Carton Quantity
221-001	THREE METAL HANDLE, CHROME	-	6



TUB & SHOWER • PRESSURE BALANCE TUB & SHOWER VALVE

Item No.	Product Description	Inner Quantity	Master Carton Quantity
228-013	DECORATIVE - VLV T&S W/ STOP CP SLV	-	6



TUB & SHOWER • NON-PRESSURE BALANCE TUB & SHOWER VALVE

Item No.	Product Description	Inner Quantity	Master Carton Quantity
228-012	DECORATIVE - VLV T&S NO STOP CP SLV	-	6



TUB & SHOWER • TRIM KITS

Item No.	Product Description	Inner Quantity	Master Carton Quantity
229-021	DECORATIVE - FCT T&S 1LH CP TRIM KIT	-	6
229-022	DECORATIVE - FCT T&S 1LH BN TRIM KIT	-	6
228-010	DECORATIVE - FCT T&S 1LH CP TRIM KIT	-	6
228-011	DECORATIVE - FCT T&S 1LH BN TRIM KIT	-	6



BAR FAUCET • TWO METAL LEVER HANDLE • ROUND BASE

Item No.	Product Description	Inner Quantity	Master Carton Quantity
229-019	DECORATIVE - FCT BAR 2LH 10SP CP	-	6
229-020	DECORATIVE - FCT BAR 2LH 10SP BN	-	6



BAR FAUCET • TWO ACRYLIC HANDLE • ROUND BASE

Item No.	Product Description	Inner Quantity	Master Carton Quantity
222-433	BAR FAUCET 2RA CP (222-430)	-	6



BAR FAUCET • TWO ACRYLIC HANDLE • ROUND BASE

Item No.	Product Description	Inner Quantity	Master Carton Quantity
222-501NL	TWO ACRYLIC HANDLE, CHROME	-	6



BAR FAUCET • TWO METAL ROUND HANDLE • SQUARE BASE

Item No.	Product Description	Inner Quantity	Master Carton Quantity
222-502NL	TWO METAL HANDLE, CHROME	-	6

FAUCETS



BAR FAUCET • TWO METAL LEVER HANDLE • SQUARE BASE

Item No.	Product Description	Inner Quantity	Master Carton Quantity
222-432	TWO METAL HANDLE - 8" SPOUT, CHROME	-	6



BAR FAUCET • NON-METALLIC

Item No.	Product Description	Inner Quantity	Master Carton Quantity
122-044	NON METALLIC - ACRYLIC HANDLES, CHROME	-	12
122-044RP	NON METALLIC - DUAL HANDLES, ACRYLIC HANDLE, CHROME	-	12



UTILITY FAUCET • TWO METAL ROUND HANDLE • LAUNDRY

Item No.	Product Description	Inner Quantity	Master Carton Quantity
221-015	TWO METAL HANDLE, CHROME	-	6



UTILITY FAUCET • TWO METAL LEVER HANDLE • LAUNDRY

Item No.	Product Description	Inner Quantity	Master Carton Quantity
221-016	TWO METAL LEVER HANDLE, CHROME	-	6



UTILITY FAUCET • TWO METAL ROUND HANDLE • LAUNDRY

Item No.	Product Description	Inner Quantity	Master Carton Quantity
225-503	TWO METAL HANDLE UTILITY FAUCET, 6" SPOUT, CHROME	-	6



UTILITY FAUCET • TWO METAL LEVER HANDLE • LAUNDRY

Item No.	Product Description	Inner Quantity	Master Carton Quantity
225-504	TWO METAL LEVER HANDLE, 6" SPOUT, CHROME	-	6



UTILITY FAUCET • BATH FAUCET • #3 PATTERN

Item No.	Product Description	Inner Quantity	Master Carton Quantity
123-003	3" PATTERN BATH FAUCET, CHROME CROSS HANDLE	-	24



UTILITY FAUCET • BATH FAUCET • 'O' PATTERN

Item No.	Product Description	Inner Quantity	Master Carton Quantity
123-004	O PATTERN BATH FAUCET, CHROME	-	24



UTILITY FAUCET • BATH FAUCET • CODE PATTERN

Item No.	Product Description	Inner Quantity	Master Carton Quantity
123-005	CODE PATTERN BATH FAUCET HI ARC SPOUT, CHROME	-	24
223-095	CODE PATTERN BATH FAUCET, CHROME	-	250



UTILITY FAUCET • WEST COAST PATTERN WALLMOUNT

Item No.	Product Description	Inner Quantity	Master Carton Quantity
123-007NL	WEST COAST PATTERN WALLMOUNT, 6" CAST SPOUT, CHROME NO LEAD	-	12



UTILITY FAUCET • QUARTER TURN WALLMOUNT WITH SOAP DISH

Item No.	Product Description	Inner Quantity	Master Carton Quantity
223-609HC	WALLMOUNT W/SOAP DISH, 6" CAST SPOUT, CHROME	-	6



UTILITY FAUCET • WALLMOUNT WITH SOAP DISH • CAST SPOUT

Item No.	Product Description	Inner Quantity	Master Carton Quantity
223-014	WALLMOUNT W/SOAP DISH, 8" CAST SPOUT QUARTER TURN, CHROME	-	12
223-015	WALLMOUNT W/SOAP DISH, 12" TUBULAR SPOUT, CHROME	-	6



UTILITY FAUCET • WALLMOUNT WITH SOAP DISH • TUBULAR SPOUT

Item No.	Product Description	Inner Quantity	Master Carton Quantity
123-009NL	WALLMOUNT W/SOAP DISH, 8" TUBULAR SPOUT, CHROME NO LEAD	-	12
123-011NL	WALLMOUNT W/SOAP DISH, 12" TUBULAR SPOUT, CHROME NO LEAD	-	12



UTILITY FAUCET • WALLMOUNT SERVICE FAUCET

Item No.	Product Description	Inner Quantity	Master Carton Quantity
225-801	WALLMOUNT SERVICE FAUCET, CHROME	-	4



UTILITY FAUCET • HEAVY DUTY BASIN

Item No.	Product Description	Inner Quantity	Master Carton Quantity
120-005NL	HEAVY DUTY BASIN, CHROME NO LEAD	-	30



UTILITY FAUCET • STANDARD BASIN

Item No.	Product Description	Inner Quantity	Master Carton Quantity
120-003NLA	STANDARD BASIN, CHROME NO LEAD	-	36



UTILITY FAUCET • SELF CLOSING BASIN

Item No.	Product Description	Inner Quantity	Master Carton Quantity
220-006NL	FCT SGL BASIN SELF CLOSE (120-006NL)	-	24



UTILITY FAUCET • SINK BIBB

Item No.	Product Description	Inner Quantity	Master Carton Quantity
203-194NL	FCT SGL SINK ADJ FLANGE	6	72



UTILITY FAUCET • MOUNTING BLOCK • FOR LAUNDRY TRAY FAUCET

Item No.	Product Description	Inner Quantity	Master Carton Quantity
125-901	MOUNTING BLOCK	-	



UTILITY FAUCET • TRADITIONAL LAUNDRY TRAY FAUCET WITH STRADDLE LEGS

Item No.	Product Description	Inner Quantity	Master Carton Quantity
125-001	TRADITIONAL LAUNDRY TRAY FAUCET, ROUGH BRASS, FAUCET ONLY	-	12
125-003	TRADITIONAL LAUNDRY TRAY FAUCET, ROUGH BRASS W/STRADDLE LEGS	-	24



UTILITY FAUCET • LAUNDRY TRAY FAUCET (SWEAT CONNECTION)

Item No.	Product Description	Inner Quantity	Master Carton Quantity
125-005	LAUNDRY TRAY FAUCET, ROUGH BRASS, SOLID SWEAT	-	24



UTILITY FAUCET • SELF CLOSING SHOWER VALVE

Item No.	Product Description	Inner Quantity	Master Carton Quantity
126-006LT	SELF-CLOSING SHOWER VALVE, 1/2" VALVE W/PULL CHAIN, CHROME	-	36



UTILITY FAUCET • LEDGEBACK WITH POP-UP

Item No.	Product Description	Inner Quantity	Master Carton Quantity
221-998	CHROME, LEDGEBACK - 4 1/2"-6" CENTER DISTANCE, NO POP-UP	-	16
221-999	CHROME, LEDGEBACK - 4 1/2"-6" CENTER DISTANCE, POP-UP	-	10



UTILITY FAUCET • ACRYLIC HANDLE SHOWER STALL FAUCET WITH SHOWERHEAD

Item No.	Product Description	Inner Quantity	Master Carton Quantity
126-013	FCT SHWR STALL W/SH HEAD (126-003)	-	24
126-014	FCT SHOWER STALL (126-004)	-	24



UTILITY FAUCET • SHOWER STALL WITH SOAP DISH • DRAIN & PLUG

Item No.	Product Description	Inner Quantity	Master Carton Quantity
126-015	FCT SHOWR UTILITY W/DISH (126-005)	-	6



UTILITY FAUCET • SHOWER STALL WITH SOAP DISH BODY • DRAIN & PLUG

Item No.	Product Description	Inner Quantity	Master Carton Quantity
126-008	ADD-A-SHOWER, W DIVERTER SPOUT, CHROME	-	5
126-009	ADD-A-SHOWER, W TUB VALVE, CHROME	-	



UTILITY FAUCET • DRINKING FOUNTAIN • SELF CLOSING

Item No.	Product Description	Inner Quantity	Master Carton Quantity
220-007NL	DRINKING WATER BUBBLER (120-007NL)	-	36



UTILITY FAUCET • DRINKING WATER DISPENSER

Item No.	Product Description	Inner Quantity	Master Carton Quantity
120-004NL	DRINKING WATER DISPENSER, CHROME NO LEAD	-	24



STRAINERS & DRAINS

B&K Strainers & Drains are available in multiple styles for use in kitchens, baths, lavatories and more. These products are quality designed and in many cases are suitable for either residential or commercial applications. Select products are available in special display packaging suitable for peg hook and cross merchandising.



POP UP DRAIN

Item No.	Product Description	Inner Quantity	Master Carton Quantity
127-006	BRASS, CHROME (BOXED)	-	24
127-009	BRASS, ECONOMY (BOXED)	-	24
127-106	PLASTIC, S/S CLAD (BOXED)	-	50
127-106RP	PLASTIC, S/S CLAD (RETAIL PACK)	4	12



P.O. PLUG • FIXED GRID WITH NON-REMOVABLE STRAINER

Item No.	Product Description	Inner Quantity	Master Carton Quantity
134-301	1-1/4" X 6" W/TAIPIECE, CHROME PLATED	-	50
134-303	1-1/4" OFFSET TAIPIECE, CHROME PLATED	-	25



C.O. • P.O. PLUG • BRASS • RUBBER STOPPER AND CHAIN

Item No.	Product Description	Inner Quantity	Master Carton Quantity
134-201	CO PO PLUG CHROME PLATED BRASS, NO OVERFLOW	-	50
134-202	CO PO PLUG CHROME PLATED BRASS W/OVERFLOW	-	50
134-401	REPLACEMENT CHROME CLEAN-OUT PLUG	-	50



C.O. • P.O. PLUG • PLASTIC • RUBBER STOPPER AND CHAIN

Item No.	Product Description	Inner Quantity	Master Carton Quantity
134-101	1-1/4" X 5" C.O. NO OVERFLOW HOLES, STAINLESS STEEL CLAD FLANGE (BOXED)	-	80
134-101RP	1-1/4" X 5" C.O. NO OVERFLOW HOLES, STAINLESS STEEL CLAD FLANGE, (RETAIL PACK)	4	12
134-102	1-1/4" X 5" P.O. W/OVERFLOW HOLES, STAINLESS STEEL CLAD FLANGE, (BOXED)	-	80
134-102RP	1-1/4" X 5" P.O. W/OVERFLOW HOLES, STAINLESS STEEL CLAD FLANGE, (RETAIL PACK)	4	12



BASKET STRAINER

Item No.	Product Description	Inner Quantity	Master Carton Quantity
131-001DP	STRNER-DISPOS 3-1/2 CP (DUAL PACK)	-	6
131-002DP	STRNER-DISPOS 3-1/2 BN (DUAL PACK)	-	6
131-003DP	STRNER-DISPOS 3-1/2 ORB (DUAL PACK)	-	6
131-022DP	BRUSHED NICKEL, 4-1/2" STANDARD (DUAL PACK)	-	6
131-023DP	OIL RUBBED BRASS, 3-1/2 DUO	-	6
131-101	STAINLESS STEEL CLAD PLASTIC, 4-1/2" W/SLIP NUT (BOXED)	-	50
131-101RP	STAINLESS STEEL CLAD PLASTIC, 4-1/2" W/SLIP NUT (RETAIL PACK)	4	12

STRAINERS & DRAINS



BASKET STRAINER

Item No.	Product Description	Inner Quantity	Master Carton Quantity
131-201	STAINLESS STEEL, 4-1/2" STANDARD (BOXED)	-	50
131-201DP	STAINLESS STEEL, 4-1/2" STANDARD (DUAL PACK)	-	6
131-201RP	STAINLESS STEEL, 4-1/2" STANDARD (RETAIL PACK)	4	12
131-202	JUNIOR, 2-1/2"	-	80
131-203	STAINLESS STEEL - DOUBLE BASKET, 4-1/2" SPECIFICATION GRADE (BOXED)	-	24
131-204	STAINLESS STEEL - DOUBLE BASKET, 4-1/2" SUPREME (BOXED)	-	40
131-212	JUNIOR, 2-1/2" DEEP STYLE	-	100
131-301	PREMIUM BRASS, 4-1/2" CHROME PLATED	-	24
131-302	PREMIUM BRASS, 4-1/2" HEAVY CAST BRASS (BOXED)	-	24
131-401	SPIN AND SEAL, 4-1/2" CHROME PLATED BRASS	-	24
131-501	STAINLESS STEEL - EASY CONNECT, 4-1/2" (BOXED)	-	24
131-601	SPIN AND SEAL, 4-1/2" STAINLESS STEEL (BOXED)	-	24
131-701	STAINLESS STEEL - PUSH AND SEAL, SNAP LOCK CRUMB CUP POST, 4-1/2"	-	24
131-801	PLASTIC WHITE - 4-1/2"	25	100



REPLACEMENT CRUMB CUPS

Item No.	Product Description	Inner Quantity	Master Carton Quantity
139-208	CRUMB CUP 131-301 & 201B	10	100
139-209	CRUMB CUP FOR 131-701	-	100
139-101RP	CRUMB CUP FOR 131-101 (RETAIL PACK)	12	72
139-201	3-1/2" FITS ALL, METAL POST (BOXED)	10	100
139-202	3-1/2" STICK POST (BOXED)	10	100
139-203	STAINLESS STEEL - JUNIOR	-	100
139-204	3-1/2" SPIN & SEAL (BOXED)	-	50
139-205	FITS ALL PLASTIC POST	20	100
139-207BP	CRUMB CUP FOR 131-101	20	200



BASKET STRAINER - FLAT TOP

Item No.	Product Description	Inner Quantity	Master Carton Quantity
133-2021	STAINLESS STEEL - 4-1/2"	-	50



DUPLEX FLAT TOP STRAINER

Item No.	Product Description	Inner Quantity	Master Carton Quantity
133-202	2-1/2" (BOXED)	-	80



WASH TRAY PLUG

Item No.	Product Description	Inner Quantity	Master Carton Quantity
132-201	2-1/2" (BOXED)	-	80



BATH WASTE WITH OVERFLOW

Item No.	Product Description	Inner Quantity	Master Carton Quantity
129-003	POLYPROPYLENE, TRIP LEVER, CHROME	-	12
129-005	POLYPROPYLENE, LIFT LOCK, CHROME	-	12
129-007	POLYPROPYLENE, EASY TOUCH, CHROME	-	12
129-008	TRIP LVR FACE PLATE W/SCREWS, CHROME	10	100
129-009	PLAIN FACE PLATE W/SCREWS CHROME	10	100
129-015	PLAIN FACE PLATE W/2 SCREWS, PVD BRUSHED	25	100
129-301	BRASS, TRIP LEVER, CHROME	-	12
129-302	BRASS, LIFT LOCK, CHROME	-	12
129-303	BRASS, EASY TOUCH, CHROME	-	12



LIFT LOCK DRAIN • FITS 1-1/4" OR 1-1/2" THREAD SIZE

Item No.	Product Description	Inner Quantity	Master Carton Quantity
132-205	2-1/2" CHROME PLATED (BOXED)	-	80



EASY TOUCH DRAIN • FITS 1-1/4" OR 1-1/2" THREAD SIZE

Item No.	Product Description	Inner Quantity	Master Carton Quantity
132-206	2-1/2" CHROME PLATED (BOXED)	-	80



LIFT & TURN DRAIN ASSEMBLY

Item No.	Product Description	Inner Quantity	Master Carton Quantity
132-234	1-7/8" OD COARSE THREAD, PVD BRUSHED NICKEL	25	100



TUB SHOE STRAINER AND SCREW

Item No.	Product Description	Inner Quantity	Master Carton Quantity
132-235	STAINLESS STEEL	25	100



FLOOR & SHOWER DRAINS

B&K Floor & Shower Drains are excellent choices for your home or business needs. They come in a variety of materials, finishes and sizes and whatever your drain needs are, you can find it in this section of our catalog.



SHOWER DRAIN • QUICK CAULKING • COMPRESSION TYPE

Item No.	Product Description	Inner Quantity	Master Carton Quantity
133-101	4-1/2" PVC WITH PVC GRID (BOXED)	-	40
133-102	4-1/2" PVC W/STAINLESS GRID (BOXED)	-	40



SHOWER DRAIN • QUICK CAULKING • COMPRESSION TYPE

Item No.	Product Description	Inner Quantity	Master Carton Quantity
133-301	4-1/2" BRASS W/STAINLESS GRID (BOXED)	-	40



SHOWER DRAIN • THREADED • BRASS

Item No.	Product Description	Inner Quantity	Master Carton Quantity
133-302	4-1/2"	20	40



SHOWER DRAIN • PVC • SOLVENT WELD

Item No.	Product Description	Inner Quantity	Master Carton Quantity
133-104	4-1/2" PVC WITH PVC GRID (BOXED)	-	40



SHOWER DRAIN • ABS • SOLVENT WELD

Item No.	Product Description	Inner Quantity	Master Carton Quantity
133-105	4-1/2" - WHITE PLASTIC GRID (BOXED)	-	40



SHOWER DRAIN • PVC • SOLVENT WELD

Item No.	Product Description	Inner Quantity	Master Carton Quantity
133-106	4-1/2" PVC WITH S/S GRID (BOXED)	-	40



SHOWER DRAIN • ABS • SOLVENT WELD

Item No.	Product Description	Inner Quantity	Master Carton Quantity
133-107	4-1/2" - STAINLESS STEEL GRID (BOXED)	-	40

FLOOR & SHOWER DRAINS



GENERAL PURPOSE DRAIN • FITS SCHEDULE 40 PIPE

Item No.	Product Description	Inner Quantity	Master Carton Quantity
133-108	2" - 3" PVC	-	20
133-109	3" - 4" PVC	-	10
133-110	2" - 3" ABS	-	20
133-111	3" - 4" ABS	1	10



SHOWER DRAIN • RECEPTOR BASE

Item No.	Product Description	Inner Quantity	Master Carton Quantity
133-112	2" - 3" - STAINLESS STEEL GRID, PVC	-	20



SHOWER DRAIN • CLAMPING TYPE

Item No.	Product Description	Inner Quantity	Master Carton Quantity
133-114	2" - 3" - STAINLESS STEEL GRID, PVC	-	20
133-115	2" - 3" - STAINLESS STEEL GRID, ABS	-	20



SHOWER DRAIN • THREADED • BRASS CHROME PLATED

Item No.	Product Description	Inner Quantity	Master Carton Quantity
133-404	2"	20	80
133-405	1-1/2" FIP, 3-1/2" FLANGE DIAMETER	20	80



FLAT TOP STRAINER

Item No.	Product Description	Inner Quantity	Master Carton Quantity
133-601	BLACK	-	40
133-602	WHITE	-	40



BAR GRATE • CAST IRON FOR SOIL PIPE

Item No.	Product Description	Inner Quantity	Master Carton Quantity
156-054	4" DIAMETER 4-3/8"	5	60
156-056	6" DIAMETER 6-7/8"	10	20



SHOWER DRAIN GRIDS

Item No.	Product Description	Inner Quantity	Master Carton Quantity
133-901	4-1/2" STAINLESS STEEL GRID	10	200
133-904	4-1/2" WHITE PLASTIC GRID	10	200



BELL TRAP LOOSE LID • CAST IRON

Item No.	Product Description	Inner Quantity	Master Carton Quantity
135-102	6" X 6" X 2"	-	6
135-103	9" X 9" X 3"	-	1
135-104	REPLACEMENT LID FOR 135-103	-	20
135-105	REPLACEMENT LID FOR 135-102	-	25



FLOOR DRAIN • CAST IRON

Item No.	Product Description	Inner Quantity	Master Carton Quantity
135-201	2" PLAIN END CONCEALED	1	0
135-203	2" FLOOR DRAIN COVER	-	20
135-204	2" PLAIN END EXPOSED	-	1
135-212	2" BACKWATER DEVICE MIP PLASTIC	-	25



SPECIALTY FITTINGS

The Specialty Fittings section includes a host of fitting types, connections and materials. From galvanized steel compression fittings to trap connectors and plugs, B&K Specialty Fittings will give your project the specific connection needed plus the proper fit and long-lasting performance you have come to expect from B&K.



COMPRESSION COUPLING • GALVANIZED

Item No.	Product Description	Inner Quantity	Master Carton Quantity
160-003	1/2" LONG PATTERN COMPRESSION COUPLING	10	60
160-003HC	1/2" LONG PATTERN COMPRESSION COUPLING	-	12
160-004	3/4" LONG PATTERN COMPRESSION COUPLING	10	40
160-004HC	3/4" LONG PATTERN COMPRESSION COUPLING	-	12
160-005	1" LONG PATTERN COMPRESSION COUPLING	5	40
160-006	1-1/4" LONG PATTERN COMPRESSION COUPLING	4	24
160-006HC	1-1/4" LONG PATTERN COMPRESSION COUPLING	-	3
160-007	1-1/2" LONG PATTERN COMPRESSION COUPLING	4	24
160-007HC	1-1/2" LONG PATTERN COMPRESSION COUPLING	-	3
160-008	2" LONG PATTERN COMPRESSION COUPLING	2	12
160-008HC	2" LONG PATTERN COMPRESSION COUPLING	-	4
888-293	1/2" GASKET	5	500
888-294	3/4" GASKET	5	500
888-295	1" GASKET	5	500



COMPRESSION COUPLING • PVC • FOR IRON PIPE SIZES



Item No.	Product Description	Inner Quantity	Master Carton Quantity
160-103	1/2"	10	200
160-103HC	1/2"	-	20
160-104	3/4"	10	120
160-104HC	3/4"	-	16
160-105	1"	10	120
160-105HC	1"	-	12
160-106	1-1/4"	10	80
160-106HC	1-1/4"	-	4
160-107	1-1/2"	10	60
160-107HC	1-1/2"	-	4
160-108	2"	5	50
160-108HC	2"	-	2
160-109	2-1/2"	3	24
160-110	3"	3	12
160-111	4"	3	6



COMPRESSION COUPLING • CPVC



Item No.	Product Description	Inner Quantity	Master Carton Quantity
160-203	1/2" (5/8" O.D.)	10	200
160-203HC	1/2" CTS	-	38
160-204	3/4" (7/8" O.D.)	10	200
160-204HC	3/4" CTS	-	20
160-205	1" (1-1/8" O.D.)	10	120

SPECIALTY FITTINGS



COMPRESSION COUPLING • BRASS

Item No.	Product Description	Inner Quantity	Master Carton Quantity
160-303NL	NO LEAD, 3/8" & 1/2" DUAL SIZE IPS & CTS	-	12
160-304NL	NO LEAD, 1/2" & 3/4" DUAL SIZE IPS & CTS	-	12
160-305NL	NO LEAD, 3/4" & 1" DUAL SIZE IPS & CTS	-	10
160-306NL	NO LEAD, 1" & 1-1/4" DUAL SIZE IPS & CTS	4	48
160-307NL	NO LEAD, 1-1/4" & 1-1/2" DUAL SIZE IPS & CTS	4	60
160-308NL	NO LEAD, 2" SIZED FOR CTS	4	40
160-407NL	NO LEAD, 1-1/2" SIZED FOR IPS	4	40
162-303NL	NO LEAD, 3/8" & 1/2" DUAL SIZE, 1/2" BRANCH	6	48
162-304NL	NO LEAD, 1/2" & 3/4" DUAL SIZE, 3/4" BRANCH	6	48
162-305NL	NO LEAD, 3/4" & 1" DUAL SIZE, 1" BRANCH	4	24
162-306NL	NO LEAD, 3/4" & 1" DUAL SIZE, 1/2" BRANCH	4	24
162-307NL	NO LEAD, 3/4" & 1" DUAL SIZE, 3/4" BRANCH	4	24
162-334NL	NO LEAD, 1/2" & 3/4" DUAL SIZE, 1/2" BRANCH	6	48



REPAIR COUPLING • PVC • EZ SPAN™



Item No.	Product Description	Inner Quantity	Master Carton Quantity
160-503	1/2" EXPANDS FROM 6-3/4" TO 8-1/2"	-	28
160-503HC	1/2" EXPANDS FROM 6-3/4" TO 8-1/2"	-	12
160-504	3/4" EXPANDS FROM 7-1/2" TO 9-3/4"	-	24
160-504HC	3/4" EXPANDS FROM 7-1/2" TO 9-3/4"	-	12
160-505	1" EXPANDS FROM 8-3/4" TO 11-1/4"	-	15
160-505HC	1" EXPANDS FROM 8-3/4" TO 11-1/4"	-	8
160-506	1-1/4" EXPANDS FROM 9" TO 11-3/4"	-	10
160-506HC	1-1/4" EXPANDS FROM 9" TO 11-3/4"	-	4
160-507	1-1/2" EXPANDS FROM 10" TO 13"	-	16
160-507HC	1-1/2" EXPANDS FROM 10" TO 13"	-	4
160-508	2" EXPANDS FROM 11-1/4" TO 14-1/4"	-	12
160-508HC	2" EXPANDS FROM 11-1/4" TO 14-1/4"	-	2
160-509	2-1/2" EXPANDS FROM 13" TO 17-1/4"	-	3
160-510	3" EXPANDS FROM 14-3/4" TO 18-1/4"	-	3
160-511	4" EXPANDS FROM 15" TO 18-3/4"	-	3



COMPRESSION TEE • GALVANIZED

Item No.	Product Description	Inner Quantity	Master Carton Quantity
162-003	1/2" TEE, MALLEABLE BODY, FIP BRANCH	4	48
162-004	3/4" TEE, MALLEABLE BODY, FIP BRANCH	4	48



COMPRESSION TEE • PVC • FOR IPS



Item No.	Product Description	Inner Quantity	Master Carton Quantity
162-103	1/2" FEMALE THREADED BRANCH	24	96
162-103HC	1/2" FEMALE THREADED BRANCH	-	18
162-104	3/4" FEMALE THREADED BRANCH	12	72
162-104HC	3/4" FEMALE THREADED BRANCH	-	14



COMPRESSION TEE • PVC • FOR IPS



Item No.	Product Description	Inner Quantity	Master Carton Quantity
162-105	1" FEMALE THREADED BRANCH	12	60
162-105HC	1" FEMALE THREADED BRANCH	-	10
162-106	1-1/4" FEMALE THREADED BRANCH	6	36
162-107	1-1/2" FEMALE THREADED BRANCH	6	30
162-108	2" FEMALE THREADED BRANCH	4	12
162-134	3/4" X 1/2" FEMALE THREADED BRANCH	12	72
162-134HC	3/4" X 1/2" FEMALE THREADED BRANCH	-	16
162-603	1/2" SOLVENT BRANCH	24	96
162-604	3/4" SOLVENT BRANCH	12	72
162-605	1" SOLVENT BRANCH	12	60
162-606	1-1/4" SOLVENT BRANCH	6	36
162-607	1-1/2" SOLVENT BRANCH	6	30
162-608	2" SOLVENT BRANCH	4	12



UNION • PVC GRAY SCHEDULE 80



Item No.	Product Description	Inner Quantity	Master Carton Quantity
164-103	1/2" THREADED	12	96
164-103HC	1/2" THREADED	-	36
164-104	3/4" THREADED	12	72
164-104HC	3/4" THREADED	-	25
164-105	1" THREADED	12	60
164-105HC	1" THREADED	-	12
164-106	1-1/4" THREADED	6	36
164-106HC	1-1/4" THREADED	-	9
164-107	1-1/2" THREADED	6	36
164-107HC	1-1/2" THREADED	-	5
164-108	2" THREADED	6	24
164-108HC	2" THREADED	-	4



UNION • PVC WHITE SCHEDULE 40



Item No.	Product Description	Inner Quantity	Master Carton Quantity
164-133	1/2" THREADED	12	96
164-133HC	1/2" THREADED	-	36
164-134	3/4" THREADED	12	72
164-134HC	3/4" THREADED	-	25
164-135	1" THREADED	12	60
164-135HC	1" THREADED	-	12
164-136	1-1/4" THREADED	6	36
164-136HC	1-1/4" THREADED	-	9
164-137	1-1/2" THREADED	6	36
164-137HC	1-1/2" THREADED	-	5
164-138	2" THREADED	6	24
164-138HC	2" THREADED	-	4

SPECIALTY FITTINGS



UNION • PVC GRAY SCHEDULE 80



Item No.	Product Description	Inner Quantity	Master Carton Quantity
164-603	1/2" SOLVENT	12	96
164-603HC	1/2" SOLVENT	-	36
164-604	3/4" SOLVENT	12	72
164-604HC	3/4" SOLVENT	-	25
164-605	1" SOLVENT	12	60
164-605HC	1" SOLVENT	-	12
164-606	1-1/4" SOLVENT	6	36
164-606HC	1-1/4" SOLVENT	-	9
164-607	1-1/2" SOLVENT	6	36
164-607HC	1-1/2" SOLVENT	-	5
164-608	2" SOLVENT	6	24
164-608HC	2" SOLVENT	-	4



UNION • PVC WHITE SCHEDULE 40



Item No.	Product Description	Inner Quantity	Master Carton Quantity
164-633	1/2" SOLVENT	12	96
164-633HC	1/2" SOLVENT	-	36
164-634	3/4" SOLVENT	12	72
164-634HC	3/4" SOLVENT	-	25
164-635	1" SOLVENT	12	60
164-635HC	1" SOLVENT	-	12
164-636	1-1/4" SOLVENT	6	36
164-636HC	1-1/4" SOLVENT	-	9
164-637	1-1/2" SOLVENT	6	36
164-637HC	1-1/2" SOLVENT	-	5
164-638	2" SOLVENT	6	24
164-638HC	2" SOLVENT	-	4
164-639	2-1/2" SOLVENT	-	12
164-640	3" SOLVENT	-	4
164-641	4" SOLVENT	-	4



UNION • CPVC • 100 PSI • 180° F

Item No.	Product Description	Inner Quantity	Master Carton Quantity
164-203	1/2" SOLVENT	12	144
164-204	3/4" SOLVENT	12	144



COMPRESSION MALE ADAPTER • PVC • FOR IPS



Item No.	Product Description	Inner Quantity	Master Carton Quantity
161-103	1/2" MALE PIPE THREAD X COMP	12	120
161-103HC	1/2" MALE PIPE THREAD X COMP	-	20
161-104	3/4" MALE PIPE THREAD X COMP	6	120
161-104HC	3/4" MALE PIPE THREAD X COMP	-	18
161-105	1" MALE PIPE THREAD X COMP	6	120



COMPRESSION MALE ADAPTER • PVC • FOR IPS



Item No.	Product Description	Inner Quantity	Master Carton Quantity
161-105HC	1" MALE PIPE THREAD X COMP	-	18
161-106	1-1/4" MALE PIPE THREAD X COMP	6	72
161-107	1-1/2" MALE PIPE THREAD X COMP	6	60
161-108	2" MALE PIPE THREAD X COMP	4	24



NIPPLE • SCHEDULE 80 PVC

Item No.	Product Description	Inner Quantity	Master Carton Quantity
403-001	1/2" X CLOSE	10	500
403-015	1/2" X 1-1/2"	10	500
403-020	1/2" X 2"	10	500
403-025	1/2" X 2-1/2"	10	500
403-030	1/2" X 3"	10	250
403-035	1/2" X 3-1/2"	10	250
403-040	1/2" X 4"	10	250
403-045	1/2" X 4-1/2"	10	250
403-050	1/2" X 5"	10	250
403-055	1/2" X 5-1/2"	10	250
403-060	1/2" X 6"	10	250
403-070	1/2" X 7"	10	250
403-080	1/2" X 8"	10	250
403-090	1/2" X 9"	10	120
403-100	1/2" X 10"	10	120
403-120	1/2" X 12"	10	120
403-160	1/2" X 16"	-	50
403-180	1/2" X 18"	-	50
403-240	1/2" X 24"	-	50
403-300	1/2" X 30"	-	50
403-360	1/2" X 36"	-	50
403-480	1/2" X 48"	-	50
404-001	3/4" X CLOSE	10	250
404-020	3/4" X 2"	10	250
404-025	3/4" X 2-1/2"	10	250
404-030	3/4" X 3"	10	250
404-040	3/4" X 4"	10	250
404-050	3/4" X 5"	10	120
404-060	3/4" X 6"	10	120
404-080	3/4" X 8"	10	120
404-100	3/4" X 10"	10	120
404-120	3/4" X 12"	10	120
404-180	3/4" X 18"	-	25
404-240	3/4" X 24"	-	25
404-300	3/4" X 30"	-	25
404-360	3/4" X 36"	-	25
404-480	3/4" X 48"	-	25
405-001	1" X CLOSE	10	250
505-020	1" X 2"	10	250
505-030	1" X 3"	10	250
505-040	1" X 4"	10	250
405-050	1" X 5"	10	120
405-060	1" X 6"	10	120
405-080	1" X 8"	10	120
405-100	1" X 10"	10	120
405-120	1" X 12"	10	120

SPECIALTY FITTINGS



NIPPLE • SCHEDULE 80 PVC

Item No.	Product Description	Inner Quantity	Master Carton Quantity
406-001	1-1/4" X CLOSE	10	250
506-020	1-1/4" X 2"	10	250
506-025	1-1/4" X 2-1/2"	10	250
506-030	1-1/4" X 3"	10	250
506-040	1-1/4" X 4"	10	250
506-050	1-1/4" X 5"	10	120
506-060	1-1/4" X 6"	10	120
506-080	1-1/4" X 8"	10	120
506-100	1-1/4" X 10"	10	40
506-120	1-1/4" X 12"	10	40
407-001	1-1/2" X CLOSE	10	250
507-020	1-1/2" X 2"	10	250
507-025	1-1/2" X 2-1/2"	10	250
507-030	1-1/2" X 3"	10	250
507-040	1-1/2" X 4"	10	120
507-050	1-1/2" X 5"	10	120
407-060	1-1/2" X 6"	10	120
407-080	1-1/2" X 8"	10	120
407-100	1-1/2" X 10"	10	120
407-120	1-1/2" X 12"	10	40
408-001	2" X CLOSE	10	250
408-030	2" X 3"	10	120
408-040	2" X 4"	10	120
408-050	2" X 5"	10	50
408-060	2" X 6"	10	100
408-080	2" X 8"	10	80
408-100	2" X 10"	10	60
408-120	2" X 12"	10	40



NIPPLE • POLYETHYLENE • SCHEDULE 40

Item No.	Product Description	Inner Quantity	Master Carton Quantity
423-001	1/2" X CLOSE	10	500
423-020	1/2" X 2"	10	500
423-030	1/2" X 3"	10	250
423-040	1/2" X 4"	10	250
423-050	1/2" X 5"	10	250
423-060	1/2" X 6"	10	250
423-080	1/2" X 8"	10	250
423-100	1/2" X 10"	10	120
423-120	1/2" X 12"	10	120



COUPLER NIPPLE • PVC • HEAVY DUTY

Item No.	Product Description	Inner Quantity	Master Carton Quantity
413-040	1/2" X 4"	10	250
413-060	1/2" X 6"	10	250
413-080	1/2" X 8"	10	120



COUPLER NIPPLE • PVC • HEAVY DUTY

Item No.	Product Description	Inner Quantity	Master Carton Quantity
413-100	1/2" X 10"	10	120
413-120	1/2" X 12"	10	120



SPRINKLER POLY CUTOFF RISER AND EXTENSION • INLET X CUTOFF X LENGTH

Item No.	Product Description	Inner Quantity	Master Carton Quantity
169-401	1/2" X 1/2" X 6" RISER	50	500
169-402	1/2" X 1/2" X 3" EXTENSION	50	500
169-404	1/2" X 3/4" X 6" RISER	50	300
169-405	3/4" X 3/4" X 6" RISER	25	300
169-406	3/4" X 1/2" X 6" RISER	25	300



POLY/SWING JOINT ELBOW

Item No.	Product Description	Inner Quantity	Master Carton Quantity
169-403	1/2" POLY STREET ELBOW	10	500

FITTING • SCHEDULE 40 POLY

Item No.	Product Description	Inner Quantity	Master Carton Quantity
401-603	3/4" HOSE PIPE FITTING SCHEDULE 40 POLY (BLACK)	10	250
401-623	3/4" X 1/2" HOSE PIPE FITTING SCHEDULE 40 POLY (BLACK)	10	250
401-703	3/4" SWIVLE PIPE FITTING SCHEDULE 40 POLY (BLACK)	10	250
401-713	3/4" SLIP X FHT FITTING SCHEDULE 40 POLY (BLACK)	10	250
401-723	3/4" FNPT X FHT SWIVEL FITTING SCHEDULE 40 POLY (BLACK)	10	250
401-823	1/2" MNPT X 3/4" FHT SWIVEL FITTING SCHEDULE 40 POLY (BLACK)	10	250
401-923	1/2" FNPT X 3/4" FHT SWIVEL FITTING SCHEDULE 40 POLY (BLACK)	10	250



CPVC TRANSITION ADAPTERS (CPVC X BRASS)

Item No.	Product Description	Inner Quantity	Master Carton Quantity
164-303NL	NO LEAD, 1/2" MIP	-	25
164-304NL	NO LEAD, 3/4" MIP	-	25
164-305NL	NO LEAD, 1" MIP	-	25
164-306NL	NO LEAD, 1-1/4" MIP	-	5
164-307NL	NO LEAD, 1-1/2" MIP	-	5
164-308NL	NO LEAD, 2" MIP	-	5
164-313NL	NO LEAD, 1/2" FIP	-	25
164-314NL	NO LEAD, 3/4" FIP	-	25
164-315NL	NO LEAD, 1" FIP	-	25

SPECIALTY FITTINGS



CPVC TRANSITION ADAPTERS (CPVC X BRASS)

Item No.	Product Description	Inner Quantity	Master Carton Quantity
164-316NL	NO LEAD, 1-1/4" FIP	-	5
164-317NL	NO LEAD, 1-1/2" FIP	-	5
164-318NL	NO LEAD, 2+11009" FIP	-	5



DROP EAR ELBOW • 90°

Item No.	Product Description	Inner Quantity	Master Carton Quantity
440-030NL	1/2" FIP X SOLVENT	-	25



BRASS PLUG • RAISED SQUARE HEAD

Item No.	Product Description	Inner Quantity	Master Carton Quantity
156-020	1-1/4" H.D. SOLID BRASS CONSTRUCTION	25	200
156-021	1-1/2" H.D. SOLID BRASS CONSTRUCTION	25	300
156-022	2" H.D. SOLID BRASS CONSTRUCTION	25	200
156-023	2-1/2" H.D. SOLID BRASS CONSTRUCTION	15	120
156-024	3" H.D. SOLID BRASS CONSTRUCTION	15	150
156-025	3-1/2" H.D. SOLID BRASS CONSTRUCTION	10	90
156-026	4" H.D. SOLID BRASS CONSTRUCTION	10	80



BRASS PLUG • COUNTERSUNK

Item No.	Product Description	Inner Quantity	Master Carton Quantity
156-119	1" H.D. SOLID BRASS CONSTRUCTION	40	160
156-121	1-1/2" H.D. SOLID BRASS CONSTRUCTION	100	400
156-122	2" H.D. SOLID BRASS CONSTRUCTION	100	200
156-123	2-1/2" H.D. SOLID BRASS CONSTRUCTION	50	200
156-124	3" H.D. SOLID BRASS CONSTRUCTION	20	160
156-125	3-1/2" H.D. SOLID BRASS CONSTRUCTION	20	120
156-126	4" H.D. SOLID BRASS CONSTRUCTION	15	90
156-127	5" H.D. SOLID BRASS CONSTRUCTION	10	60
156-129	6" H.D. SOLID BRASS CONSTRUCTION	10	40



TRAP CONNECTOR • BRASS BODY • CHROME PLATED NUT

Item No.	Product Description	Inner Quantity	Master Carton Quantity
158-866	1-1/4" X 1-1/4" SLIP X MALE	12	72
158-876	1-1/4" X 1-1/2" SLIP X MALE	12	72



TRAP CONNECTOR • BRASS BODY • CHROME PLATED NUT

Item No.	Product Description	Inner Quantity	Master Carton Quantity
158-877	1-1/2" X 1-1/2" SLIP X MALE	12	72
158-966	1-1/4" X 1-1/4" SLIP X FEMALE	12	72
158-976	1-1/4" X 1-1/2" SLIP X FEMALE	12	72
158-977	1-1/2" X 1-1/2" SLIP X FEMALE	12	72



CLOSET SPUDS • BRASS

Item No.	Product Description	Inner Quantity	Master Carton Quantity
150-201	1" X 3/4"	25	200
150-202	1-1/4" X 3/4"	25	150
150-203	1-1/4" X 1-1/4"	25	150
150-204	1-1/2" X 3/4"	25	125
150-205	1-1/2" X 1-1/4"	25	125
150-206	1-1/2" X 1-1/2"	25	125
150-207	2" X 1-1/4"	25	100
150-208	2" X 1-1/2"	25	100
150-209	2" X 2"	25	100



ACCESSORIES & REPAIR

B&K Accessories & Repair items include popular products such as downspouts, saddle tees, ice maker kits and other unique components. Each item is made for exacting fit, long life and project convenience. Year after year, B&K Accessories and Repair items are preferred for their ease of use, innovation and value.



SHOWER HEAD

Item No.	Product Description	Inner Quantity	Master Carton Quantity
141-012	SHOWER HEAD WITH BRASS BALL	-	50



SHOWER ARM

Item No.	Product Description	Inner Quantity	Master Carton Quantity
141-513	6" SHOWER ARM WITH ESCUTSION PLATE	10	100



BATH SPOUTS AND DIVERTERS • TYPE A

Item No.	Product Description	Inner Quantity	Master Carton Quantity
142-090	FACE BUSHING FOR 1/2" OR 3/4" IPS CONNECTION, BRASS, CHROME	-	24
142-093	FACE BUSHING FOR 1/2" OR 3/4" IPS CONNECTION, DIE CAST, CHROME	-	48
142-094	FACE BUSHING FOR 1/2" OR 3/4" IPS CONNECTIONM DIE CAST, CHROME	-	48



BATH SPOUTS AND DIVERTERS • TYPE B

Item No.	Product Description	Inner Quantity	Master Carton Quantity
142-092	1/2" IPS, CONNECTION, CHROME	-	48
142-095	1/2" IPS, FRONT LIFT, CHROME	-	48



BATH SPOUTS AND DIVERTERS • TYPE C

Item No.	Product Description	Inner Quantity	Master Carton Quantity
142-096	PUSH ON OVER 1/2" (5/8" O.D.) COPPER TUBING, FRONT LIFT, CHROME	-	48
142-103	PUSH ON OVER 1/2" (5/8" O.D.) COPPER TUBING, CHROME	-	48



TANK LEVER

Item No.	Product Description	Inner Quantity	Master Carton Quantity
153-001	METAL, CHROME PLATED (BOXED)	-	100
153-013	ALL PLASTIC, CHROME PLATED (BAGGED)	-	250

ACCESSORIES & REPAIR



THIN WALL SHOWER STALL ELBOW

Item No.	Product Description	Inner Quantity	Master Carton Quantity
993-113	1/2"	6	72



THIN WALL TUB/SHOWER MTG ADAPTER

Item No.	Product Description	Inner Quantity	Master Carton Quantity
993-114	THIN WALL TUB/SHOWER MTG ADAPTER	-	50



JIFFY SHOWER ROD FLANGE • ADJUSTABLE • CHROME PLATED

Item No.	Product Description	Inner Quantity	Master Carton Quantity
993-003	PLASTIC	50	200



COUPLING BATH COCK ELBOW

Item No.	Product Description	Inner Quantity	Master Carton Quantity
123-096		12	144



LAUNDRY FAUCET MOUNTING BLOCK

Item No.	Product Description	Inner Quantity	Master Carton Quantity
125-901		-	50



ESCUTCHEONS • LOW PATTERN • CHROME PLATED STEEL

Item No.	Product Description	Inner Quantity	Master Carton Quantity
158-102	3/8" IRON PIPE SIZE	25	500
158-103	1/2" IRON PIPE SIZE	25	500
158-104	3/4" IRON PIPE SIZE	25	500
158-105	1" IRON PIPE SIZE	10	100
158-107	1-1/2" IRON PIPE SIZE	10	100
158-108	2" IRON PIPE SIZE	10	100
158-602	3/8" COPPER TUBE SIZE	25	500
158-603	1/2" COPPER TUBE SIZE	25	500
158-604	3/4" COPPER TUBE SIZE	25	500



FLOOR AND CEILING PLATE

Item No.	Product Description	Inner Quantity	Master Carton Quantity
158-002	3/8" IPS, SPLIT FLANGE	12	288
158-003	1/2" IPS, SPLIT FLANGE	12	288
158-004	3/4" IPS, SPLIT FLANGE	12	288
158-005	1" IPS, SPLIT FLANGE	12	288
158-006	1-1/4" IPS, SPLIT FLANGE	12	288
158-007	1-1/2" IPS, SPLIT FLANGE	12	288
158-008	2" IPS, SPLIT FLANGE	12	144
158-503	1/2" COPPER TUBE SIZE, SPLIT FLANGE	12	288
158-504	3/4" COPPER TUBE SIZE, SPLIT FLANGE	12	288
158-505	1" COPPER TUBE SIZE, SPLIT FLANGE	12	288
158-506	1-1/4" COPPER TUBE SIZE, SPLIT FLANGE	12	288
158-507	1-1/2" COPPER TUBE SIZE, SPLIT FLANGE	12	288



BOX PATTERN FLANGE • CHROME PLATED STEEL

Item No.	Product Description	Inner Quantity	Master Carton Quantity
158-706	1-1/4" TUBULAR O.D.	5	50
158-707	1-1/2" TUBULAR O.D.	5	50



ACCESS PANEL • FRAMELESS EASY INSTALLATION

Item No.	Product Description	Inner Quantity	Master Carton Quantity
156-708	MAXESS™, 8" X 8" PLASTIC	-	10
156-712	MAXESS™, 12" X 12" PLASTIC	-	10



DISPOSAL CONNECTOR • DELUXE

Item No.	Product Description	Inner Quantity	Master Carton Quantity
992-011	WITH 2 WORM DRIVE CLAMPS	50	200



HEAVY DUTY DISPOSAL CONNECTOR

Item No.	Product Description	Inner Quantity	Master Carton Quantity
992-012	HEAVY DUTY DISPOSAL CONN	-	20

ACCESSORIES & REPAIR



AIR GAPS

Item No.	Product Description	Inner Quantity	Master Carton Quantity
995-000	CHROME PLATED (BOXED)	-	24
995-000BP	AIR GAP	-	50



TRAP VENT • FOR SINKS TUBS • SHOWERS OR WASHING MACHINES

Item No.	Product Description	Inner Quantity	Master Carton Quantity
995-001	1-1/2" THREADED	-	90



OVERFLOW PIPE

Item No.	Product Description	Inner Quantity	Master Carton Quantity
994-004	48 OVERFLOW PIPE	-	125
994-005	60 OVERFLOW PIPE	-	125
994-006	72 OVERFLOW PIPE	-	125



TAPPED SADDLE TEE • CAST IRON

Item No.	Product Description	Inner Quantity	Master Carton Quantity
135-301	4", 2" FEMALE OUTLET	-	10



CLOSET FLANGE • CAST IRON

Item No.	Product Description	Inner Quantity	Master Carton Quantity
135-001	4" X 2" QUICK CONNECT	-	8
135-002	4" X 2" STANDARD	-	8



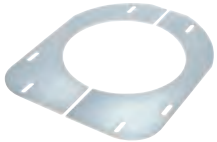
CLOSET FLOOR FLANGE • BRASS

Item No.	Product Description	Inner Quantity	Master Carton Quantity
152-000	4" 14 OZ.	10	60
152-001	4" DEEP SEAL	4	48
152-003	4" OFFSET WITH CLIP	3	48



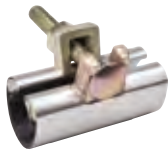
CLOSET FLANGE RISER • PLASTIC

Item No.	Product Description	Inner Quantity	Master Carton Quantity
152-012	6-3/4"	-	20



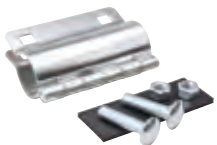
FLANGE SUPPORT

Item No.	Product Description	Inner Quantity	Master Carton Quantity
135-021	4" FOR PLASTIC FLANGE, REPAIRS ROTTED FLOOR AROUND WATER CLOSET	10	20
135-022	4" FOR CAST IRON FLANGE, REPAIRS ROTTED FLOOR AROUND WATER CLOSET	-	20



PIPE REPAIR CLAMP • STAINLESS STEEL

Item No.	Product Description	Inner Quantity	Master Carton Quantity
160-602	3/8" X 3", SINGLE BOLT	6	24
160-603	1/2" X 3", SINGLE BOLT	6	24
160-604	3/4" X 3", SINGLE BOLT	6	24
160-605	1" X 3", SINGLE BOLT	6	24
160-606	1-1/4" X 3", SINGLE BOLT	6	24
160-607	1-1/2" X 3", SINGLE BOLT	6	24
160-608	2" X 3", SINGLE BOLT	4	16
160-609	2-1/2" X 3", SINGLE BOLT	4	16
160-610	3" X 3", SINGLE BOLT	4	16
160-611	4" X 3", SINGLE BOLT	2	8
160-703	1/2" X 6", DOUBLE BOLT	3	12
160-704	3/4" X 6", DOUBLE BOLT	3	12
160-705	1" X 6", DOUBLE BOLT	3	12
160-706	1-1/4" X 6", DOUBLE BOLT	3	12
160-707	1-1/2" X 6", DOUBLE BOLT	3	12
160-708	2" X 6", DOUBLE BOLT	2	8
160-709	2-1/2" X 6", DOUBLE BOLT	2	8
160-710	3" X 6", DOUBLE BOLT	2	8
160-711	4" X 6", DOUBLE BOLT	-	4



REPAIR CLAMP • GALVANIZED • RUBBER GASKET • DISPLAY BAG

Item No.	Product Description	Inner Quantity	Master Carton Quantity
160-803	1/2"	10	100
160-804	3/4"	10	100
160-805	1"	5	50
160-806	1-1/4"	5	50
160-807	1-1/2"	5	50
160-808	2"	5	50

ACCESSORIES & REPAIR



TEST PLUG

Item No.	Product Description	Inner Quantity	Master Carton Quantity
154-007	1-1/2" GALVANIZED STEEL FLANGES • RUBBER GASKETS	6	36
154-008	2" GALVANIZED STEEL FLANGES • RUBBER GASKETS	6	36
154-010	3" GALVANIZED STEEL FLANGES • RUBBER GASKETS	6	36
154-011	4" GALVANIZED STEEL FLANGES • RUBBER GASKETS	6	36
154-012	5" GALVANIZED STEEL FLANGES • RUBBER GASKETS	-	40
154-013	6" GALVANIZED STEEL FLANGES • RUBBER GASKETS	-	36



LEAD CLEAN OUT PLUG • MALLEABLE IRON CORE

Item No.	Product Description	Inner Quantity	Master Carton Quantity
156-003	3" SQUARE HEAD	12	24
156-004	3-1/2" SQUARE HEAD	12	24
156-005	4" SQUARE HEAD	12	24



DRUM TRAP COVERS • CHROME PLATED DIE CAST ZINC

Item No.	Product Description	Inner Quantity	Master Carton Quantity
156-013	3" WITH GASKET	-	110



PLUMBING TOOLS

B&K tools are the practical answer for the completion and maintenance of various plumbing needs. Whether it is street keys needed for opening and closing curb stops or pipe cutters used for providing clean cuts to plastic piping, each item in the B&K line of tools is designed to be a durable and trusted piece of equipment.



STREET KEY • PAINTED STEEL

Item No.	Product Description	Inner Quantity	Master Carton Quantity
150-060	36" X 5/8" DIAMETER ROD	-	5
150-061	60" X 5/8" DIAMETER ROD	-	5
150-067	30" X 5/8" DIAMETER ROD W/BOX KEY	-	5
151-060	36" X 5/8" DIAMETER ROD	-	5
151-061	60" X 5/8" DIAMETER ROD	-	5
151-062	60" X 3/4" DIAMETER ROD	-	5
151-065	28" X 1/2" DIAMETER ROD	-	5
151-066	36" X 5/8" DIAMETER ROD	-	5
151-067	30" X 5/8" DIAMETER ROD W/BOX KEY	-	5



WATER METER KEY

Item No.	Product Description	Inner Quantity	Master Carton Quantity
151-063	BOX KEY	6	72
151-064	COMBO KEY	4	32



WATER HEATER ELEMENT SOCKET

Item No.	Product Description	Inner Quantity	Master Carton Quantity
151-021	1-1/2" KIT W/HANDLE	6	48
151-027	1-1/2" ECONOMY SOCKET ONLY	12	48



SOCKET SET • HEAVY DUTY

Item No.	Product Description	Inner Quantity	Master Carton Quantity
151-006	SOCKET SET	-	24



STEM KEY • 4-WAY

Item No.	Product Description	Inner Quantity	Master Carton Quantity
151-015	1/4", 9/32", 5/16", 11/32"	10	100



NIPPLE EXTRACTOR FOR PLASTIC NIPPLES

Item No.	Product Description	Inner Quantity	Master Carton Quantity
151-039	1/2"	6	72



PIPE CUTTER • PVC

Item No.	Product Description	Inner Quantity	Master Carton Quantity
151-047	1/2" - 2" PIPE CUTTER PVC	6	36
151-048	1/2" - 2" REPLACEMENT BLADE	10	150
151-051	1/2" - 1" PVC PIPE CUTTER	-	36
151-052	1/2" - 1" REPLACEMENT BLADE	10	200



SINK PLUNGER

Item No.	Product Description	Inner Quantity	Master Carton Quantity
151-710	4" DIAMETER, 9" HANDLE, HD BLACK RUBBER - THREADED WOOD HANDLE - IN DISPLAY PACK	24	192



DRAIN PLUNGER

Item No.	Product Description	Inner Quantity	Master Carton Quantity
151-730	6" DIAMETER, 21" HANDLE, HD RED RUBBER - THREADED WOOD HANDLE - IN DISPLAY PACK	12	48



TOILET PLUNGER

Item No.	Product Description	Inner Quantity	Master Carton Quantity
151-770	6" DIAMETER, 21" HANDLE, HD BLACK RUBBER - THREADED WOOD HANDLE - IN DISPLAY PACK	12	48



DIELECTRIC UNIONS

Our Dielectric Unions are the choice to prevent galvanic corrosion in commercial and residential piping systems. Installed between pipes made of different metals, these quality fittings protect your systems by utilizing an insulating gasket insert to eliminate the electrical current development that could lead to piping deterioration. Constructed of a union nut, an insulating gasket and two tail pieces, our Dielectric Unions are available with various connections of galvanized steel or lead-free compliant brass.



DIELECTRIC UNION

Item No.	Product Description	Inner Quantity	Master Carton Quantity
165-003	1/2" FIP X FIP, GALV X GALV	10	100
165-004	3/4" FIP X FIP, GALV X GALV	10	100
165-005	1" FIP X FIP, GALV X GALV	5	50
165-006	1-1/4" FIP X FIP, GALV X GALV	5	40
165-007	1-1/2" FIP X FIP, GALV X GALV	5	30
165-008	2" FIP X FIP, GALV X GALV	2	20



DIELECTRIC UNION

Item No.	Product Description	Inner Quantity	Master Carton Quantity
165-103NL	1/2" FIP X FIP, GALV X BRASS	10	100
165-104NL	3/4" FIP X FIP, GALV X BRASS	10	100
165-105NL	1" FIP X FIP, GALV X BRASS	5	50



DIELECTRIC UNION

Item No.	Product Description	Inner Quantity	Master Carton Quantity
167-003NL	1/2" MIP X SOLDER, GALV X BRASS	10	100
167-004NL	3/4" MIP X SOLDER, GALV X BRASS	-	50
167-094NL	3/4" MIP X 1/2" SOLDER, GALV X BRASS	10	100



DIELECTRIC UNION

Item No.	Product Description	Inner Quantity	Master Carton Quantity
168-003NL	1/2" FIP X SOLDER, GALV X BRASS	-	30
168-004NL	3/4" FIP X SOLDER, GALV X BRASS	-	30
168-005NL	1" FIP X SOLDER, GALV X BRASS	-	25
168-006NL	1-1/4" FIP X SOLDER, GALV X BRASS	10	40
168-007NL	1-1/2" FIP X SOLDER, GALV X BRASS	5	30
168-008NL	2" FIP X SOLDER, GALV X BRASS	5	20
168-094NL	3/4" FIP X 1/2" SOLDER, GALV X BRASS	10	100



DIELECTRIC UNION PARTS

Item No.	Product Description	Inner Quantity	Master Carton Quantity
888-233	1/2" INSULATOR SLEEVE (ALSO 3/4" X 1/2")	5	1000
888-234	3/4" INSULATOR SLEEVE	5	1000
888-239	1/2" RUBBER WASHER	5	500
888-240	3/4" RUBBER WASHER (ALSO 3/4" X 1/2")	5	500
888-241	1" RUBBER WASHER	5	200



CHANNEL DRAINS

B&K Channel Drains provide stylish, efficient, and affordable floor drainage options to meet the increasing market demand. Channel Drain systems eliminate the traditional center drain which requires pitching the floor in four directions. This system allows the floor to be pitched in one direction reducing limitations on tile size or slab material.



LINEAR

Item No.	Product Description	Inner Quantity	Master Carton Quantity
133-001	SHOWER DRAIN 24 - CHROME	-	10
133-002	SHOWER DRAIN 28 - CHROME	-	10
133-003	SHOWER DRAIN 32 - CHROME	-	10
133-004	SHOWER DRAIN 36 - CHROME	-	10
133-008	SHOWER DRAIN 24 - BRUSHED NICKEL	-	10
133-009	SHOWER DRAIN 28 - BRUSHED NICKEL	-	10
133-010	SHOWER DRAIN 32 - BRUSHED NICKEL	-	10
133-011	SHOWER DRAIN 36 - BRUSHED NICKEL	-	10



SQUARE

Item No.	Product Description	Inner Quantity	Master Carton Quantity
133-015	SHOWER DRAIN 6 - CHROME	-	10
133-016	SHOWER DRAIN 8 - CHROME	-	10
133-017	SHOWER DRAIN 12 - CHROME	-	4
133-018	SHOWER DRAIN 6 - BRUSHED NICKEL	-	10
133-019	SHOWER DRAIN 8 - BRUSHED NICKEL	-	10
133-020	SHOWER DRAIN 12 - BRUSHED NICKEL	-	4



PIPE SUPPORT & HANGERS

B&K Pipe Support & Hangers products ensures a proper and secure installation for most piping systems. Designed to supply a variety of functions, our Pipe Support products will work for pipe supply and drain waste & vent (DWV) systems. A range of copper plated nails and accessories allow for corrosion resistance and a reliable installation. Stud guards and plates provide a lasting safeguard for piping and electrical wiring systems that pass through a wall or ceiling. Our Pipe Support products are manufactured in galvanized malleable iron, copper plated steel, ABS plastic, steel, and vinyl coated steel.



PIPE HOOKS • COPPER COATED STEEL

Item No.	Product Description	Inner Quantity	Master Carton Quantity
C10-050HC	1/2 X6 C HOOKS (5/BDL)	-	25
C10-075HC	3/4 X6 C HOOKS (5/BDL)	-	25
C10-100HC	1 X6 C HOOKS (5/BDL)	-	25



2 HOLE STRAP • COPPER COATED STEEL

Item No.	Product Description	Inner Quantity	Master Carton Quantity
C13-038HC	3/8 COPPER STRP (10/BAG)	-	15
C13-050HC	1/2 CPR STRP(10/BAG)	-	25
C13-075HC	3/4 CPR STRP (10/BAG)	-	25
C13-100HC	1 CPR STRP (4/BAG)	-	50
C13-125HC	1-1/4 CPR STRP (4/BAG)	-	35
C13-150HC	1-1/2 CPR STRP (4/BAG)	-	35
C13-200HC	2 CPR STRP (4/BAG)	-	30



NAIL • COPPER COATED STEEL

Item No.	Product Description	Inner Quantity	Master Carton Quantity
C15-125HC	1-1/4 CPR NAIL (10/BAG)	-	50



HANGER STRAP • COPPER COATED STEEL

Item No.	Product Description	Inner Quantity	Master Carton Quantity
C20-124HC	3/4 X 10' CPR STRP 24GA	-	20



J-NAIL • COPPER COATED STEEL

Item No.	Product Description	Inner Quantity	Master Carton Quantity
C22-075HC	3/4 J NAIL (10/BAG)	-	50



DRIVE J-HOOK • COPPER COATED STEEL

Item No.	Product Description	Inner Quantity	Master Carton Quantity
C23-050HC	1/2-3/4 DRV J-HK (10/BG)	-	50



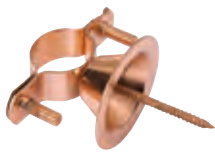
SPLIT RING HANGER • COPPER COATED MALLEABLE IRON

Item No.	Product Description	Inner Quantity	Master Carton Quantity
C72-038HC	3/8 SPLIT RING HANGER	-	20
C72-050HC	1/2 SPLIT RING HANGER	-	20
C72-075HC	3/4 SPLIT RING HANGER	-	20
C72-100HC	1 SPLIT RING HANGER	-	20



MILFORD HANGER • COPPER COATED MALLEABLE IRON

Item No.	Product Description	Inner Quantity	Master Carton Quantity
C82-050HC	1/2 X6 MILFORD W NAILS	-	25
C82-075HC	3/4 X6 MILFORD W NAILS	-	25
C82-100HC	1 X6 MILFORD W NAILS	-	25



BELL HANGER • COPPER COATED STEEL

Item No.	Product Description	Inner Quantity	Master Carton Quantity
C83-050HC	1/2 COPPER BELL HANGER	-	25
C83-075HC	3/4 COPPER BELL HANGER	-	20
C83-100HC	1 COPPER BELL HANGER	-	20



PIPE HOOKS • VINYL COATED GALVANIZED STEEL

Item No.	Product Description	Inner Quantity	Master Carton Quantity
G10-050HC	1/2 X6 V G HOOK (5/BD)	-	25
G10-075HC	3/4 X6 V G HOOK (5/BD)	-	25
G10-100HC	1 X6 V G HOOK (5/BD)	-	25



2 HOLE STRAP • GALVANIZED STEEL

Item No.	Product Description	Inner Quantity	Master Carton Quantity
G13-038HC	3/8 GALV STRAP (10/BAG)	-	25
G13-050HC	1/2 GALV STRAP (10/BAG)	-	25
G13-075HC	3/4 GALV STRAP (10/BAG)	-	25
G13-100HC	1 GALV STRAP (4/BAG)	-	50
G13-125HC	1-1/4 GALV STRP (4/BAG)	-	35
G13-150HC	1-1/2 GALV STRP (4/BAG)	-	35
G13-200HC	2 GALV STRP (4/BAG)	-	30



1 HOLE STRAP • GALVANIZED STEEL

Item No.	Product Description	Inner Quantity	Master Carton Quantity
G18-050HC	1/2 ONE HL STRP (10/BAG)	-	25
G18-075HC	3/4 ONE HL STRP (10/BAG)	-	25



HANGER STRAP • GALVANIZED STEEL

Item No.	Product Description	Inner Quantity	Master Carton Quantity
G20-1024HC	3/4X100 G HGR IRON 24GA	-	6
G20-124HC	3/4 X10' G HGR IRON 24GA	-	20
G20-128HC	3/4 X10' G HGR IRON 28GA	-	20
G20-524HC	3/4 X50' G HGR IRON 24GA	-	10



UNIVERSAL BEAM CLAMP • GALVANIZED MALLEABLE IRON

Item No.	Product Description	Inner Quantity	Master Carton Quantity
G60-038HC	3/8 UNIV BEAM CLAMP	-	20
G60-050HC	1/2 UNIV BEAM CLAMP	-	20



CLEVIS HANGER • GALVANIZED STEEL

Item No.	Product Description	Inner Quantity	Master Carton Quantity
G65-050HC	1/2 CLEVIS HANGER	-	20
G65-075HC	3/4 CLEVIS HANGER	-	20
G65-100HC	1 CLEVIS HANGER	-	20
G65-125HC	1-1/4 CLEVIS HANGER	-	10
G65-150HC	1-1/2 CLEVIS HANGER	-	10
G65-200HC	2 CLEVIS HANGER	-	10



SPLIT RING HANGER • GALVANIZED MALLEABLE IRON

Item No.	Product Description	Inner Quantity	Master Carton Quantity
G72-050HC	1/2 SPLIT RNG HANGER	-	20
G72-075HC	3/4 SPLIT RNG HANGER	-	20
G72-100HC	1 SPLIT RING HANGER	-	20
G72-125HC	1-1/4 SPLIT RING HANGER	-	20
G72-150HC	1-1/2 SPLIT RING HANGER	-	20
G72-200HC	2 SPLIT RING HANGER	-	20



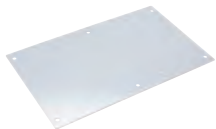
TOP PLATE • GALVANIZED STEEL

Item No.	Product Description	Inner Quantity	Master Carton Quantity
G80-038HC	3/8 TOP PLATE CONNECTOR	-	20



STUD GUARD • GALVANIZED STEEL

Item No.	Product Description	Inner Quantity	Master Carton Quantity
G85-300HC	1-1/2 X 3 STUD GUARD	-	100
G85-500HC	1-1/2 X 5 STUD GUARD	-	100
G85-900HC	1-1/2 X 9 STUD GUARD	-	50



STUD PLATE • GALVANIZED STEEL

Item No.	Product Description	Inner Quantity	Master Carton Quantity
G86-800HC	5 X 8 STUD PLATE	-	30



BABY J-HOOK • PLASTIC

Item No.	Product Description	Inner Quantity	Master Carton Quantity
P01-050HC	1/2 X 4 BABY J-HOOK	-	50
P01-075HC	3/4 X 4 BABY J-HOOK	-	50
P01-100HC	1 X 4 BABY J-HOOK	-	50
P01-125HC	1-1/4 X 4 BABY J-HOOK	-	20



DRAIN PIPE J-HOOK • PLASTIC

Item No.	Product Description	Inner Quantity	Master Carton Quantity
P02-150HC	1-1/2 X 7 J-HOOK DRAIN P	-	20
P02-200HC	2 X 7 J-HOOK DRAIN PIPE	-	20
P02-300HC	3 X 7 J-HOOK DRAIN PIPE	-	10
P02-400HC	4 X 7 J-HOOK DRAIN PIPE	-	10



HANGER STRAP • PLASTIC

Item No.	Product Description	Inner Quantity	Master Carton Quantity
P20-100HC	3/4 X 10 PTC HANGER TAPE	-	20
P20-250HC	3/4 X 25 PTC HANGER TAPE	-	10
P20-500HC	3/4 X 50 PTC HANGER TAPE	-	10



HALF CLAMP • PLASTIC

Item No.	Product Description	Inner Quantity	Master Carton Quantity
P24-050HC	1/2 HALF CLAMP (10/BAG)	-	25
P24-075HC	3/4 HALF CLAMP (10/BAG)	-	25
P24-100HC	1 HALF CLAMP (10/BAG)	-	25



FULL CLAMP • PLASTIC

Item No.	Product Description	Inner Quantity	Master Carton Quantity
P25-050HC	1/2 FULL CLAMP (10/BAG)	-	25
P25-075HC	3/4 FULL CLAMP (10/BAG)	-	25
P25-100HC	1 FULL CLAMP (10/BAG)	-	15



PIPE INSULATOR • PLASTIC

Item No.	Product Description	Inner Quantity	Master Carton Quantity
P27-050HC	1/2 INSULATOR (5/BAG)	-	15
P27-075HC	3/4 INSULATOR (5/BAG)	-	15
P27-100HC	1 INSULATOR (5/BAG)	-	10



2 HOLE CLAMP • PLASTIC

Item No.	Product Description	Inner Quantity	Master Carton Quantity
P28-050HC	1/2 STD CLAMP (5/BAG)	-	25
P28-075HC	3/4 STD CLAMP (5/BAG)	-	25
P28-100HC	1 STD CLAMP (5/BAG)	-	10



PIPE HANGER • VINYL COATED GALVANIZED STEEL

Item No.	Product Description	Inner Quantity	Master Carton Quantity
V30-150HC	1-1/2 VINYL DWV HANGER	-	20
V30-200HC	2 VINYL DWV HANGER	-	20
V30-300HC	3 VINYL DWV HANGER	-	10
V30-400HC	4 VINYL DWV HANGER	-	10



MALLEABLE FITTINGS

We offer one of the most extensive selections of black and galvanized malleable iron fittings in the industry. Available in 13 diameters from 1/8" to 6", every fitting is produced to exact specifications. All galvanized products are zinc-coated for water applications and meet all low-lead requirements. In addition, all of our iron fittings undergo our rigorous testing and quality inspections.



90° ELBOW



SIZE	BULK PART NBR				BARCODED PART NBR			
	BLACK	GALV	INNER QTY	MC QTY	BLACK	GALV	INNER QTY	MC QTY
1/8"	520-000	510-000	50	600	520-000HC	510-000HC	25	450
1/4"	520-001	510-001	35	420	520-001HC	510-001HC	25	450
3/8"	520-002	510-002	45	270	520-002HC	510-002HC	25	225
1/2"	520-003	510-003	50	200	520-003HC	510-003HC	75	150
3/4"	520-004	510-004	35	105	520-004HC	510-004HC	50	100
1"	520-005	510-005	20	60	520-005HC	510-005HC	15	60
1-1/4"	520-006	510-006	20	40	520-006HC	510-006HC	8	64
1-1/2"	520-007	510-007	15	30	520-007HC	510-007HC	10	40
2"	520-008	510-008	8	32	520-008HC	510-008HC	8	32
2-1/2"	520-009	510-009	0	13	520-009BC	510-009BC	0	20
3"	520-010	510-010	0	7	520-010BC	510-010BC	0	7
4"	520-011	510-011	2	6	520-011BC	510-011BC	2	6
6"	520-013	510-013	0	2	-	-	-	-



90° Reducing Elbow



SIZE	BULK PART NBR				BARCODED PART NBR			
	BLACK	GALV	INNER QTY	MC QTY	BLACK	GALV	INNER QTY	MC QTY
1/4" X 1/8"	520-110	510-110	60	360	-	510-110HC	25	450
3/8" X 1/8"	520-120	510-120	60	360	-	-	-	-
3/8" X 1/4"	520-121	510-121	60	360	520-121HC	510-121HC	25	450
1/2" X 1/8"	520-130	510-130	40	480	-	-	-	-
1/2" X 1/4"	520-131	510-131	40	240	520-131HC	510-131HC	25	225
1/2" X 3/8"	520-132	510-132	50	200	520-132HC	510-132HC	25	225
3/4" X 1/4"	520-141	510-141	50	150	-	-	-	-
3/4" X 3/8"	-	510-142	50	150	-	510-142HC	15	135
3/4" X 1/2"	520-143	510-143	40	120	520-143HC	510-143HC	15	135
1" X 1/4"	520-151	510-151	25	150	-	-	-	-
1" X 3/8"	520-152	510-152	25	150	-	-	-	-
1" X 1/2"	520-144	510-144	30	90	520-144HC	510-144HC	15	120
1" X 3/4"	520-154	510-154	25	75	520-154HC	510-154HC	15	120
1-1/4" X 1/2"	520-163	510-163	35	70	-	-	-	-
1-1/4" X 3/4"	520-164	510-164	30	60	520-164HC	510-164HC	8	64

MALLEABLE FITTINGS



90° Reducing Elbow (continued)



SIZE	BULK PART NBR				BARCODED PART NBR			
	BLACK	GALV	INNER QTY	MC QTY	BLACK	GALV	INNER QTY	MC QTY
1-1/4" X 1"	520-165	510-165	20	40	520-165HC	510-165HC	8	64
1-1/2" X 1/2"	520-173	510-173	25	50	-	-	-	-
1-1/2" X 3/4"	520-174	510-174	15	45	520-174HC	510-174HC	10	40
1-1/2" X 1"	520-157	510-157	20	40	520-157HC	510-157HC	10	40
1-1/2" X 1-1/4"	520-176	510-176	15	60	520-176HC	510-176HC	10	40
2" X 1/2"	520-183	510-183	15	60	-	-	-	-
2" X 3/4"	520-184	510-184	15	30	-	-	-	-
2" X 1"	520-185	510-185	14	28	520-185HC	510-185HC	8	32
2" X 1-1/4"	520-186	510-186	10	40	520-186HC	510-186HC	8	32
2" X 1-1/2"	520-187	510-187	10	40	520-187HC	510-187HC	8	32
2-1/2" X 1/2"	520-193	510-193	20	40	520-193BC	510-193BC	20	30
2-1/2" X 3/4"	520-194	510-194	15	30	520-194BC	510-194BC	15	30
2-1/2" X 1"	520-195	510-195	15	30	520-195BC	510-195BC	15	30
2-1/2" X 1-1/4"	520-196	510-196	0	15	520-196BC	510-196BC	0	15
2-1/2" X 1-1/2"	520-197	510-197	0	15	520-197BC	510-197BC	0	15
2-1/2" X 2"	520-198	510-198	5	15	520-198BC	510-198BC	5	15
3" X 1"	520-115	510-115	10	20	520-115BC	510-115BC	10	20
3" X 1-1/4"	520-116	510-116	10	20	520-116BC	510-116BC	10	20
3" X 1-1/2"	520-117	510-117	10	20	520-117BC	510-117BC	10	20
3" X 2"	520-118	510-118	0	10	520-118BC	510-118BC	0	10
3" X 2-1/2"	520-119	510-119	0	8	520-119BC	510-119BC	0	8
4" X 2"	520-111	510-111	0	6	520-111BC	510-111BC	0	6
4" X 3"	520-112	510-112	3	9	520-112BC	510-112BC	0	9
4" X 2-1/2"	520-113	510-113	4	8	520-113BC	510-113BC	4	8



45° Elbow



SIZE	BULK PART NBR				BARCODED PART NBR			
	BLACK	GALV	INNER QTY	MC QTY	BLACK	GALV	INNER QTY	MC QTY
1/8"	520-200	510-200	50	600	520-200HC	510-200HC	25	450
1/4"	520-201	510-201	35	420	520-201HC	510-201HC	25	450
3/8"	520-202	510-202	50	300	520-202HC	510-202HC	25	450
1/2"	520-203	510-203	50	200	520-203HC	510-203HC	10	180
3/4"	520-204	510-204	40	120	520-204HC	510-204HC	10	180
1"	520-205	510-205	20	60	520-205HC	510-205HC	5	90
1-1/4"	520-206	510-206	20	80	520-206HC	510-206HC	5	45
1-1/2"	520-207	510-207	15	60	520-207HC	510-207HC	5	40
2"	520-208	510-208	9	36	520-208HC	510-208HC	8	32
2-1/2"	520-209	510-209	12	24	520-209BC	510-209BC	8	24
3"	520-210	510-210	5	15	520-210BC	510-210BC	5	15
4"	520-211	510-211	3	6	520-211BC	510-211BC	3	6



90° Street Elbow



SIZE	BULK PART NBR				BARCODED PART NBR			
	BLACK	GALV	INNER QTY	MC QTY	BLACK	GALV	INNER QTY	MC QTY
1/8	520-300	510-300	50	600	520-300HC	510-300HC	25	450
1/4	520-301	510-301	35	420	520-301HC	510-301HC	25	450
3/8	520-302	510-302	40	240	520-302HC	510-302HC	10	180
1/2	520-303	510-303	60	180	520-303HC	510-303HC	45	180
3/4	520-304	510-304	35	105	520-304HC	510-304HC	25	100
1	520-305	510-305	30	60	520-305HC	510-305HC	15	120
1-1/4	520-306	510-306	18	72	520-306HC	510-306HC	8	64
1-1/2	520-307	510-307	18	54	520-307HC	510-307HC	10	40
2	520-308	510-308	10	30	520-308HC	510-308HC	8	32
2-1/2	520-309	510-309	9	18	520-309BC	510-309BC	9	18
3	520-310	510-310	0	7	520-310BC	510-310BC	0	7
4	520-311	510-311	2	6	520-311BC	510-311BC	2	6

MALLEABLE FITTINGS



Tee



SIZE	BULK PART NBR				BARCODED PART NBR			
	BLACK	GALV	INNER QTY	MC QTY	BLACK	GALV	INNER QTY	MC QTY
1/8"	520-600	510-600	75	450	520-600HC	510-600HC	25	450
1/4"	520-601	510-601	50	300	520-601HC	510-601HC	25	450
3/8"	520-602	510-602	45	180	520-602HC	510-602HC	20	180
1/2"	520-603	510-603	40	120	520-603HC	510-603HC	50	200
3/4"	520-604	510-604	35	70	520-604HC	510-604HC	30	120
1"	520-605	510-605	20	40	520-605HC	510-605HC	10	80
1-1/4"	520-606	510-606	14	28	520-606HC	510-606HC	5	40
1-1/2"	520-607	510-607	0	23	520-607HC	510-607HC	5	40
2"	520-608	510-608	5	15	520-608HC	510-608HC	6	24
2-1/2"	520-609	510-609	0	9	520-609BC	510-609BC	0	9
3"	520-610	510-610	0	6	520-610BC	510-610BC	0	6
4"	520-611	510-611	0	3	520-611BC	510-611BC	0	3
6"	520-613	510-613	0	2	-	-	-	-



Reducing Tee



SIZE	BULK PART NBR				BARCODED PART NBR			
	BLACK	GALV	INNER QTY	MC QTY	BLACK	GALV	INNER QTY	MC QTY
1/4" X 1/8"	520-229	510-229	50	300	-	-	-	-
3/8" X 1/8"	520-220	510-220	60	240	-	-	-	-
3/8" X 1/4"	520-221	510-221	60	240	-	-	-	-
1/2" X 1/8"	520-330	510-330	60	180	-	-	-	-
1/2" X 1/4"	520-331	510-331	50	150	520-331HC	510-331HC	15	135
1/2" X 3/8"	520-322	510-322	45	135	520-322HC	510-322HC	15	135
3/4" X 1/4"	520-444	510-444	50	100	520-444HC	510-444HC	45	180
3/4" X 3/8"	520-442	510-442	45	90	520-442HC	510-442HC	45	180
3/4" X 1/2"	520-743	510-743	45	90	520-743HC	510-743HC	45	90
1" X 1/4"	520-551	510-551	25	100	-	-	-	-
1" X 3/8"	520-552	510-552	20	60	-	-	-	-
1" X 1/2"	520-753	510-753	20	60	520-753HC	510-753HC	10	80
1" X 3/4"	520-754	510-754	25	50	520-754HC	510-754HC	10	80
1-1/4" X 3/8"	520-662	510-662	16	64	-	-	-	-
1-1/4" X 1/2"	520-663	510-663	16	64	520-663HC	510-663HC	5	40
1-1/4" X 3/4"	520-664	510-664	18	36	520-664HC	510-664HC	5	40
1-1/4" X 1"	520-765	510-765	16	32	520-765HC	510-765HC	5	40



Reducing Tee (continued)



SIZE	BULK PART NBR				BARCODED PART NBR			
	BLACK	GALV	INNER QTY	MC QTY	BLACK	GALV	INNER QTY	MC QTY
1-1/2" X 3/8"	520-772	510-772	18	36	-	-	-	-
1-1/2" X 1/2"	520-773	510-773	18	36	520-773HC	510-773HC	4	36
1-1/2" X 3/4"	520-774	510-774	15	30	520-774HC	510-774HC	15	60
1-1/2" X 1"	520-766	510-766	13	26	520-766HC	-	4	32
1-1/2" X 1-1/4"	520-776	510-776	0	23	520-776HC	510-776HC	5	40
2" X 1/2"	520-783	510-783	10	40	-	-	-	-
2" X 3/4"	520-884	510-884	9	36	-	-	-	-
2" X 1"	520-785	510-785	9	18	520-785HC	510-785HC	6	24
2" X 1-1/4"	520-886	510-886	8	16	520-886HC	510-886HC	6	24
2" X 1-1/2"	520-787	510-787	8	16	520-787HC	510-787HC	6	24
2-1/2" X 1/2"	520-993	510-993	8	24	520-993BC	510-993BC	8	20
2-1/2" X 3/4"	520-994	510-994	10	20	520-994BC	510-994BC	10	20
2-1/2" X 1"	520-995	510-995	9	18	520-995BC	510-995BC	9	18
2-1/2" X 1-1/4"	520-996	510-996	9	18	520-996BC	510-996BC	9	18
2-1/2" X 1-1/2"	520-997	510-997	9	18	520-997BC	510-997BC	0	18
2-1/2" X 2"	520-998	510-998	0	10	520-998BC	510-998BC	0	10
3" X 3/4"	520-934	510-934	0	9	520-934BC	510-934BC	0	9
3" X 1"	520-935	510-935	6	12	520-935BC	510-935BC	6	12
3" X 1-1/4"	520-936	510-936	6	12	520-936BC	510-936BC	6	12
3" X 1-1/2"	520-937	510-937	6	12	520-937BC	510-937BC	6	12
3" X 2"	520-338	510-338	6	12	520-338BC	-	6	12
3" X 2-1/2"	520-939	510-939	0	6	520-939BC	510-939BC	0	6
4" X 1"	520-945	510-945	4	8	520-945BC	510-945BC	4	8
4" X 1-1/4"	520-946	510-946	4	8	520-946BC	510-946BC	4	8
4" X 1-1/2"	520-947	510-947	4	8	520-947BC	510-947BC	4	8
4" X 2"	520-948	510-948	4	8	520-948BC	510-948BC	4	8
4" X 2-1/2"	520-949	510-949	0	6	520-949BC	-	3	6
4" X 3"	520-388	510-388	0	6	520-388BC	510-388BC	3	6
1/2" X 1/2" X 3/4"	520-334	510-334	45	90	520-334HC	510-334HC	45	90
1/2" X 1/2" X 1"	520-335	510-335	30	120	-	-	-	-
3/4" X 1/2" X 1/2"	520-433	510-433	45	90	520-433HC	510-433HC	45	90
3/4" X 1/2" X 3/4"	520-434	510-434	45	90	520-434HC	510-434HC	45	90
3/4" X 1/2" X 3/4"	520-435	510-435	25	100	520-435HC	-	45	90
3/4" X 3/4" X 1"	520-445	510-445	25	50	520-445HC	510-445HC	10	80
3/4" X 3/4" X 1-1/4"	520-446	510-446	18	72	-	-	-	-
1" X 1/2" X 1/2"	520-533	510-533	20	120	520-533HC	-	10	80
1" X 1/2" X 3/4"	520-534	510-534	25	100	520-534HC	510-534HC	10	80

MALLEABLE FITTINGS



Reducing Tee (continued)

SIZE	BULK PART NBR				BARCODED PART NBR			
	BLACK	GALV	INNER QTY	MC QTY	BLACK	GALV	INNER QTY	MC QTY
1" X 1/2" X 1"	520-793	510-793	20	60	520-793HC	510-793HC	10	80
1" X 3/4" X 1/2"	520-543	510-543	25	100	520-543HC	510-543HC	10	80
1" X 3/4" X 3/4"	520-544	510-544	25	50	520-544HC	510-544HC	10	80
1" X 3/4" X 1"	-	510-545	25	50	-	510-545HC	10	80
1" X 1" X 1-1/4"	520-556	510-556	18	36	520-556HC	510-556HC	5	40
1" X 1" X 1-1/2"	520-557	510-557	13	52	-	-	-	-
1" X 1" X 2"	520-558	510-558	9	36	-	-	-	-
1-1/4" X 1/2" X 1/2"	520-633	510-633	16	64	-	-	-	-
1-1/4" X 1/2" X 3/4"	520-634	510-634	16	64	-	-	-	-
1-1/4" X 1/2" X 1"	520-635	510-635	16	64	520-635HC	-	5	40
1-1/4" X 1/2" X 1-1/4"	520-636	510-636	16	64	520-636HC	-	5	40
1-1/4" X 3/4" X 1/2"	520-643	510-643	18	72	-	-	-	-
1-1/4" X 3/4" X 3/4"	520-644	510-644	18	72	520-644HC	-	5	40
1-1/4" X 3/4" X 1"	520-645	510-645	16	64	520-645HC	510-645HC	5	40
1-1/4" X 3/4" X 1-1/4"	520-646	510-646	16	32	520-646HC	510-646HC	5	40
1-1/4" X 1" X 1/2"	520-653	510-653	18	72	520-653HC	-	5	40
1-1/4" X 1" X 3/4"	520-654	510-654	18	72	520-654HC	-	5	40
1-1/4" X 1" X 1"	520-655	510-655	18	36	520-655HC	510-655HC	5	40
1-1/4" X 1" X 1-1/4"	520-656	510-656	18	36	520-656HC	-	5	40
1-1/4" X 1" X 1-1/2"	520-657	510-657	11	44	-	-	-	-
1-1/4" X 1-1/4" X 1-1/2"	520-658	510-658	11	44	-	-	-	-
1-1/4" X 1-1/4" X 2"	520-659	510-659	8	32	-	-	-	-
1-1/2" X 1/2" X 3/4"	520-734	510-734	15	60	-	-	-	-
1-1/2" X 3/4" X 1/2"	520-748	510-748	15	60	-	-	-	-
1-1/2" X 3/4" X 3/4"	520-744	510-744	18	36	-	-	-	-
1-1/2" X 3/4" X 1-1/4"	520-746	510-746	11	44	-	-	-	-
1-1/2" X 3/4" X 1-1/2"	520-747	510-747	15	30	-	-	-	-
1-1/2" X 1/2" X 1"	520-735	510-735	13	52	-	-	-	-
1-1/2" X 1/2" X 1-1/4"	520-736	510-736	11	44	-	-	-	-
1-1/2" X 1/2" X 1-1/2"	520-737	510-737	18	36	520-737HC	-	9	36
1-1/2" X 1" X 1/2"	520-758	510-758	13	52	-	-	-	-
1-1/2" X 1" X 3/4"	520-759	510-759	13	52	-	-	-	-
1-1/2" X 1" X 1"	520-755	510-755	13	52	-	-	-	-
1-1/2" X 1" X 1-1/4"	520-756	510-756	11	44	-	-	-	-
1-1/2" X 1" X 1-1/2"	520-757	510-757	13	26	520-757HC	-	4	32
1-1/2" X 1-1/4" X 1/2"	520-763	510-763	11	44	-	-	-	-
1-1/2" X 1-1/4" X 3/4"	520-764	510-764	11	44	520-764HC	-	4	32



Reducing Tee (continued)



SIZE	BULK PART NBR				BARCODED PART NBR			
	BLACK	GALV	INNER QTY	MC QTY	BLACK	GALV	INNER QTY	MC QTY
1-1/2" X 1-1/4" X 1"	520-768	510-768	11	44	520-768HC	-	4	32
1-1/2" X 1-1/4" X 1-1/4"	520-769	510-769	11	44	520-769HC	510-769HC	4	32
1-1/2" X 1-1/4" X 1-1/2"	520-767	510-767	11	44	-	-	-	-
1-1/2" X 1-1/2" X 2"	520-778	510-778	8	32	-	-	-	-
2" X 1/2" X 2"	520-838	510-838	10	20	-	-	-	-
2" X 3/4" X 3/4"	520-844	510-844	9	36	-	-	-	-
2" X 3/4" X 2"	520-848	510-848	9	18	-	-	-	-
2" X 1" X 1"	520-855	510-855	9	36	-	-	-	-
2" X 1" X 1-1/2"	520-857	510-857	8	32	-	-	-	-
2" X 1" X 2"	520-858	510-858	9	18	-	-	-	-
2" X 1-1/4" X 1"	520-865	510-865	8	32	-	-	-	-
2" X 1-1/4" X 1-1/4"	520-866	510-866	8	32	-	-	-	-
2" X 1-1/4" X 1-1/2"	520-867	510-867	8	32	-	-	-	-
2" X 1-1/4" X 2"	520-868	510-868	8	16	-	-	-	-
2" X 1-1/2" X 3/4"	520-874	510-874	8	32	-	-	-	-
2" X 1-1/2" X 1"	520-875	510-875	8	32	-	-	-	-
2" X 1-1/2" X 1-1/4"	520-876	510-876	8	32	-	-	-	-
2" X 1-1/2" X 1-1/2"	520-877	510-877	8	16	-	-	-	-
2" X 1-1/2" X 2"	520-878	510-878	8	16	-	-	-	-
2" X 2" X 2-1/2"	520-889	510-889	10	20	-	-	-	-



Service Tee



SIZE	BULK PART NBR				BARCODED PART NBR			
	BLACK	GALV	INNER QTY	MC QTY	BLACK	GALV	INNER QTY	MC QTY
1/2"	520-683	510-683	60	240	-	-	-	-
3/4"	520-684	510-684	50	150	-	-	-	-
1"	-	510-685	20	80	-	-	-	-

MALLEABLE FITTINGS



Side Outlet Elbow



SIZE	BULK PART NBR				BARCODED PART NBR			
	BLACK	GALV	INNER QTY	MC QTY	BLACK	GALV	INNER QTY	MC QTY
1/2"	520-803	510-803	45	135	520-803HC	510-803HC	30	120
3/4"	520-804	510-804	40	80	520-804HC	510-804HC	30	120
1"	520-805	510-805	20	80	-	-	-	-
1-1/4"	520-806	510-806	15	45	-	-	-	-
2"	-	510-808	12	20	-	-	-	-

Side Outlet Tee

SIZE	BULK PART NBR				BARCODED PART NBR			
	BLACK	GALV	INNER QTY	MC QTY	BLACK	GALV	INNER QTY	MC QTY
1/2"	520-813	510-813	45	90	-	-	-	-
3/4"	520-814	510-814	30	60	-	-	-	-
1"	520-815	510-815	20	40	-	-	-	-

Lock Nut

SIZE	BULK PART NBR				BARCODED PART NBR			
	BLACK	GALV	INNER QTY	MC QTY	BLACK	GALV	INNER QTY	MC QTY
1/8	520-900	510-900	250	3000	-	510-900HC	125	2250
1/4	520-901	510-901	125	1500	520-901HC	510-901HC	75	1350
3/8	520-902	510-902	125	1500	520-902HC	510-902HC	75	1350
1/2	520-903	510-903	100	600	520-903HC	510-903HC	40	720
3/4	520-904	510-904	60	360	520-904HC	510-904HC	30	540
1	520-905	510-905	60	240	520-905HC	510-905HC	25	450
1-1/4	520-906	510-906	60	180	520-906HC	510-906HC	15	270
1-1/2	520-907	510-907	40	160	520-907HC	510-907HC	12	216
2	-	510-908	25	150	-	510-908HC	8	72
2-1/2	520-909	510-909	40	80	520-909BC	510-909BC	40	80



Cross



SIZE	BULK PART NBR				BARCODED PART NBR			
	BLACK	GALV	INNER QTY	MC QTY	BLACK	GALV	INNER QTY	MC QTY
1/8	-	511-000	60	360	-	-	-	-
1/4	521-001	511-001	45	270	-	-	-	-
3/8	521-002	511-002	45	135	-	511-002HC	10	180
1/2	521-003	511-003	45	90	521-003HC	511-003HC	45	90
3/4	521-004	511-004	30	60	521-004HC	511-004HC	30	60
1	521-005	511-005	16	32	521-005HC	511-005HC	15	60
1-1/4	521-006	511-006	9	36	521-006HC	511-006HC	10	40
1-1/2	521-007	511-007	8	32	521-007HC	511-007HC	9	36
2	521-008	511-008	5	20	521-008HC	511-008HC	5	20
2-1/2	521-009	511-009	6	12	521-009BC	511-009BC	6	12
3	521-010	511-010	4	8	521-010BC	511-010BC	4	8
4	521-011	511-011	2	4	521-011BC	511-011BC	2	4



Coupling



SIZE	BULK PART NBR				BARCODED PART NBR			
	BLACK	GALV	INNER QTY	MC QTY	BLACK	GALV	INNER QTY	MC QTY
1/8	521-200	511-200	60	720	521-200HC	511-200HC	25	450
1/4	521-201	511-201	40	480	521-201HC	511-201HC	25	450
3/8	521-202	511-202	50	300	521-202HC	511-202HC	25	450
1/2	521-203	511-203	60	240	521-203HC	511-203HC	80	320
3/4	521-204	511-204	50	150	521-204HC	511-204HC	10	180
1	521-205	511-205	25	75	521-205HC	511-205HC	20	80
1-1/4	521-206	511-206	32	64	521-206HC	511-206HC	15	60
1-1/2	521-207	511-207	18	72	521-207HC	511-207HC	6	48
2	521-208	511-208	12	24	521-208HC	511-208HC	4	32
2-1/2	521-209	511-209	0	16	521-209BC	511-209BC	0	16
3	521-210	511-210	0	12	521-210BC	511-210BC	0	12
4	521-211	511-211	0	7	521-211BC	511-211BC	0	7
6	521-213	511-213	2	4	-	-	-	-

MALLEABLE FITTINGS



Reducing Coupling

SIZE	BULK PART NBR				BARCODED PART NBR			
	BLACK	GALV	INNER QTY	MC QTY	BLACK	GALV	INNER QTY	MC QTY
1/4 X 1/8	521-310	511-310	25	600	521-310HC	511-310HC	25	450
3/8 X 1/8	521-320	511-320	30	360	521-320HC	511-320HC	30	540
3/8 X 1/4	521-321	511-321	30	360	521-321HC	511-321HC	30	540
1/2 X 1/8	521-330	511-330	50	300	521-330HC	511-330HC	30	540
1/2 X 1/4	521-331	511-331	50	300	521-331HC	511-331HC	30	270
1/2 X 3/8	521-332	511-332	40	240	521-332HC	511-332HC	30	270
3/4 X 1/8	521-340	511-340	35	210	-	511-340HC	20	180
3/4 X 1/4	521-341	511-341	30	180	521-341HC	511-341HC	20	180
3/4 X 3/8	521-342	511-342	30	180	521-342HC	511-342HC	20	180
3/4 X 1/2	521-343	511-343	60	180	521-343HC	511-343HC	40	160
1 X 1/4	521-351	511-351	25	200	-	-	-	-
1 X 3/8	521-352	511-352	40	120	-	511-352HC	10	180
1 X 1/2	521-353	511-353	30	120	521-353HC	511-353HC	10	180
1 X 3/4	521-354	511-354	30	120	521-354HC	511-354HC	30	120
1-1/4 X 3/8	521-362	511-362	25	75	-	-	-	-
1-1/4 X 1/2	521-363	511-363	25	75	521-363HC	511-363HC	5	90
1-1/4 X 3/4	521-364	511-364	25	75	521-364HC	511-364HC	5	90
1-1/4 X 1	521-365	511-365	25	75	521-365HC	511-365HC	5	90
1-1/2 X 3/8	521-372	511-372	20	120	-	-	-	-
1-1/2 X 1/2	521-373	511-373	20	60	521-373HC	511-373HC	4	72
1-1/2 X 3/4	521-374	511-374	30	60	521-374HC	511-374HC	4	72
1-1/2 X 1	521-375	511-375	30	60	521-375HC	511-375HC	4	72
1-1/2 X 1-1/4	521-376	511-376	25	50	521-376HC	511-376HC	4	72
2 X 1/2	521-383	511-383	21	42	-	511-383HC	5	40
2 X 3/4	521-384	511-384	21	42	-	511-384HC	5	40
2 X 1	521-385	511-385	14	28	521-385HC	511-385HC	5	40
2 X 1-1/4	521-386	511-386	14	28	521-386HC	511-386HC	5	40
2 X 1-1/2	521-387	511-387	14	28	521-387HC	511-387HC	5	40
2-1/2 X 3/4	521-394	511-394	0	20	521-394BC	511-394BC	0	20
2-1/2 X 1	521-395	511-395	16	32	521-395BC	511-395BC	16	32
2-1/2 X 1-1/4	521-396	511-396	16	32	521-396BC	511-396BC	16	32
2-1/2 X 1-1/2	521-397	511-397	16	32	521-397BC	511-397BC	16	32
2-1/2 X 2	521-398	511-398	16	32	521-398BC	511-398BC	16	32
3 X 3/4	521-304	511-304	0	24	521-304BC	511-304BC	0	24
3 X 1	521-305	511-305	12	24	521-305BC	511-305BC	12	24
3 X 1-1/4	521-306	511-306	12	24	521-306BC	511-306BC	12	24



Reducing Coupling (continued)



SIZE	BULK PART NBR				BARCODED PART NBR			
	BLACK	GALV	INNER QTY	MC QTY	BLACK	GALV	INNER QTY	MC QTY
3 X 1-1/2	521-307	511-307	12	24	521-307BC	511-307BC	12	24
3 X 2	521-308	511-308	0	12	521-308BC	511-308BC	0	14
3 X 2-1/2	521-309	511-309	0	12	521-309BC	511-309BC	0	12
4 X 1	521-325	511-325	0	9	521-325BC	511-325BC	0	9
4 X 1-1/4	521-326	511-326	0	9	521-326BC	511-326BC	0	9
4 X 1-1/2	521-327	511-327	0	9	521-327BC	511-327BC	0	9
4 X 2	521-328	511-328	0	9	521-328BC	511-328BC	0	9
4 X 2-1/2	521-300	511-300	0	7	521-300BC	511-300BC	0	7
4 X 3	521-329	511-329	0	9	521-329BC	511-329BC	0	9
6 X 3	521-322	511-322	0	4	-	-	-	-
6 X 4	521-323	511-323	0	4	-	-	-	-



Cap



SIZE	BULK PART NBR				BARCODED PART NBR			
	BLACK	GALV	INNER QTY	MC QTY	BLACK	GALV	INNER QTY	MC QTY
1/8	521-400	511-400	100	1200	521-400HC	511-400HC	25	450
1/4	521-401	511-401	75	900	521-401HC	511-401HC	25	450
3/8	521-402	511-402	60	720	521-402HC	511-402HC	35	630
1/2	521-403	511-403	75	450	521-403HC	511-403HC	75	300
3/4	521-404	511-404	40	240	521-404HC	511-404HC	40	320
1	521-405	511-405	35	140	521-405HC	511-405HC	25	200
1-1/4	521-406	511-406	25	100	521-406HC	511-406HC	8	144
1-1/2	521-407	511-407	25	75	521-407HC	511-407HC	15	120
2	521-408	511-408	18	54	521-408HC	511-408HC	6	54
2-1/2	521-409	511-409	0	24	521-409BC	511-409BC	0	24
3	521-410	511-410	0	16	521-410BC	511-410BC	0	16
4	521-411	511-411	0	10	521-411BC	511-411BC	0	10
6	521-413	511-413	0	5	-	-	-	-

MALLEABLE FITTINGS



Floor Flange



SIZE	BULK PART NBR				BARCODED PART NBR			
	BLACK	GALV	INNER QTY	MC QTY	BLACK	GALV	INNER QTY	MC QTY
3/8"	521-602	511-602	35	140	521-602HC	511-602HC	20	160
1/2"	521-603	511-603	25	100	521-603HC	511-603HC	20	160
3/4"	521-604	511-604	20	80	521-604HC	511-604HC	20	80
1"	521-605	511-605	20	60	521-605HC	511-605HC	15	60
1-1/4"	521-606	511-606	15	45	521-606HC	511-606HC	12	48
1-1/2"	521-607	511-607	12	36	521-607HC	511-607HC	10	40
2"	521-608	511-608	8	24	521-608HC	511-608HC	6	24
3"	521-610	511-610	12	24	521-610BC	511-610BC	12	24



Extension Piece



SIZE	BULK PART NBR				BARCODED PART NBR			
	BLACK	GALV	INNER QTY	MC QTY	BLACK	GALV	INNER QTY	MC QTY
1/2"	521-613	511-613	25	300	-	511-613HC	80	320
3/4"	521-614	511-614	60	180	-	511-614HC	10	180
1"	-	511-615	45	90	-	-	-	-



Union



SIZE	BULK PART NBR				BARCODED PART NBR			
	BLACK	GALV	INNER QTY	MC QTY	BLACK	GALV	INNER QTY	MC QTY
1/8"	521-700	511-700	20	240	521-700HC	511-700HC	35	280
1/4"	521-701	511-701	30	180	521-701HC	511-701HC	45	180
3/8"	521-702	511-702	35	140	521-702HC	511-702HC	35	140
1/2"	521-703	511-703	25	100	521-703HC	511-703HC	30	120
3/4"	521-704	511-704	20	60	521-704HC	511-704HC	35	70
1"	521-705	511-705	15	45	521-705HC	511-705HC	5	40
1-1/4"	521-706	511-706	15	30	521-706HC	511-706HC	8	32
1-1/2"	521-707	511-707	10	20	521-707HC	511-707HC	4	32
2"	521-708	511-708	6	24	521-708HC	511-708HC	4	16
2-1/2"	521-709	511-709	8	16	521-709BC	511-709BC	8	16
3"	521-710	511-710	5	10	521-710BC	511-710BC	5	10
4"	521-711	511-711	3	6	521-711BC	511-711BC	3	6



Square Head Plug



SIZE	BULK PART NBR				BARCODED PART NBR			
	BLACK	GALV	INNER QTY	MC QTY	BLACK	GALV	INNER QTY	MC QTY
1/8	521-800	511-800	225	2700	521-800HC	511-800HC	25	450
1/4	521-801	511-801	150	1800	521-801HC	511-801HC	25	450
3/8	521-802	511-802	100	1200	521-802HC	511-802HC	25	450
1/2	521-803	511-803	25	600	521-803HC	511-803HC	50	450
3/4	521-804	511-804	15	360	521-804HC	511-804HC	40	360
1	521-805	511-805	20	240	521-805HC	511-805HC	20	180
1-1/4	521-806	511-806	40	120	521-806HC	511-806HC	10	180
1-1/2	521-807	511-807	30	90	521-807HC	511-807HC	12	108
2	521-808	511-808	30	60	521-808HC	511-808HC	8	72
2-1/2	521-809	511-809	0	32	521-809BC	511-809BC	0	32
3	521-810	511-810	0	24	521-810BC	511-810BC	0	24
4	521-811	511-811	0	16	521-811BC	511-811BC	0	16
6	521-813	511-813	0	10	-	-	-	-

MALLEABLE FITTINGS



Hex Bushing

SIZE	BULK PART NBR				BARCODED PART NBR			
	BLACK	GALV	INNER QTY	MC QTY	BLACK	GALV	INNER QTY	MC QTY
1/4 X 1/8	521-910	511-910	75	1800	521-910HC	511-910HC	35	630
3/8 X 1/8	521-920	511-920	75	900	521-920HC	511-920HC	35	630
3/8 X 1/4	521-921	511-921	75	900	521-921HC	511-921HC	35	630
1/2 X 1/8	521-930	511-930	150	600	521-930HC	511-930HC	30	540
1/2 X 1/4	521-931	511-931	100	600	521-931HC	511-931HC	30	540
1/2 X 3/8	521-932	511-932	100	600	521-932HC	511-932HC	40	720
3/4 X 1/8	521-940	511-940	50	300	521-940HC	511-940HC	75	300
3/4 X 1/4	521-941	511-941	50	300	521-941HC	511-941HC	75	300
3/4 X 3/8	521-942	511-942	50	300	521-942HC	511-942HC	75	300
3/4 X 1/2	521-943	511-943	50	300	521-943HC	511-943HC	75	300
1 X 1/4	521-951	511-951	50	200	521-951HC	511-951HC	9	225
1 X 3/8	521-952	511-952	50	200	521-952HC	511-952HC	25	225
1 X 1/2	521-953	511-953	50	200	521-953HC	511-953HC	25	225
1 X 3/4	521-954	511-954	50	200	521-954HC	511-954HC	25	225
1-1/4 X 1/4	521-961	511-961	30	240	-	-	-	-
1-1/4 X 3/8	521-962	511-962	30	240	-	-	-	-
1-1/4 X 1/2	521-963	511-963	30	120	521-963HC	511-963HC	12	108
1-1/4 X 3/4	521-964	511-964	30	120	521-964HC	511-964HC	12	108
1-1/4 X 1	521-965	511-965	30	120	521-965HC	511-965HC	12	216
1-1/2 X 1/4	521-971	511-971	25	150	-	-	-	-
1-1/2 X 3/8	521-972	511-972	25	150	-	-	-	-
1-1/2 X 1/2	521-973	511-973	25	75	521-973HC	511-973HC	10	90
1-1/2 X 3/4	521-974	511-974	25	75	521-974HC	511-974HC	10	90
1-1/2 X 1	521-975	511-975	25	75	521-975HC	511-975HC	10	90
1-1/2 X 1-1/4	521-976	511-976	25	150	521-976HC	511-976HC	10	180
2 X 3/8	521-982	511-982	20	60	-	-	-	-
2 X 1/2	521-983	511-983	20	60	521-983HC	511-983HC	5	45
2 X 3/4	521-984	511-984	20	60	521-984HC	511-984HC	5	45
2 X 1	521-985	511-985	20	60	521-985HC	511-985HC	5	45
2 X 1-1/4	521-986	511-986	20	60	521-986HC	511-986HC	5	45
2 X 1-1/2	521-987	511-987	20	60	521-987HC	511-987HC	5	90
2-1/2 X 1/2	521-993	511-993	30	60	521-993BC	511-993BC	30	60
2-1/2 X 3/4	521-994	511-994	24	48	521-994BC	511-994BC	24	48
2-1/2 X 1	521-995	511-995	24	48	521-995BC	511-995BC	24	48



Hex Bushing (continued)



SIZE	BULK PART NBR				BARCODED PART NBR			
	BLACK	GALV	INNER QTY	MC QTY	BLACK	GALV	INNER QTY	MC QTY
2-1/2 X 1-1/4	521-996	511-996	24	48	521-996BC	511-996BC	24	48
2-1/2 X 1-1/2	521-997	511-997	0	28	521-997BC	511-997BC	0	28
2-1/2 X 2	521-998	511-998	24	48	521-998BC	511-998BC	24	48
3 X 1/2	521-903	511-903	24	48	521-903BC	511-903BC	24	24
3 X 3/4	521-904	511-904	0	24	521-904BC	511-904BC	0	24
3 X 1	521-905	511-905	16	32	521-905BC	511-905BC	16	32
3 X 1-1/4	521-906	511-906	16	32	521-906BC	511-906BC	16	32
3 X 1-1/2	521-907	511-907	16	32	521-907BC	511-907BC	16	32
3 X 2	521-908	511-908	0	16	521-908BC	511-908BC	0	16
3 X 2-1/2	521-909	511-909	16	32	521-909BC	511-909BC	16	32
4 X 3/4	521-914	511-914	10	20	521-914BC	511-914BC	10	20
4 X 1	521-915	511-915	10	20	521-915BC	511-915BC	10	20
4 X 1-1/4	521-916	511-916	10	20	521-916BC	511-916BC	10	20
4 X 1-1/2	521-917	511-917	10	20	521-917BC	511-917BC	10	20
4 X 2	521-918	511-918	10	20	521-918BC	511-918BC	10	20
4 X 2-1/2	521-919	511-919	0	10	521-919BC	511-919BC	0	10
4 X 3	521-900	511-900	0	10	521-900BC	511-900BC	0	10
6 X 2	521-938	511-938	0	10	-	-	-	-
6 X 3	521-939	511-939	0	10	-	-	-	-
6 X 4	521-937	511-937	0	10	-	-	-	-



STEEL NIPPLES & PIPE

This section lists out our extensive offering for steel nipples and pipe. Each section conveniently lays out the different offerings of each type of nipple in black, galvanized, wholesale and retail.

We also detail out the different selection specials like the 'Special 100' and 'Special 66' to help customize the parts you need most.

For Steel Pipe, Pre-Cut Pipe, Extra-Heavy Nipples, Seamless Nipples, please visit our wholesale literature page at our website: www.bkproducts.com

1/8" • SCHEDULE 40 WELDED STEEL NIPPLES



LENGTH	BULK PART NBR				BARCODED PART NBR			
	BLACK	GALV	INNER QTY	MC QTY	BLACK	GALV	INNER QTY	MC QTY
Close	580-001	560-001	25	100	580-001HC	560-001HC	10	480
1-1/2	580-015	560-015	25	100	580-015HC	560-015HC	10	480
2	580-020	560-020	25	100	580-020HC	560-020HC	10	480
2-1/2	580-025	560-025	25	100	580-025HC	560-025HC	10	480
3	580-030	560-030	25	100	580-030HC	560-030HC	10	480
3-1/2	580-035	560-035	25	100	580-035HC	560-035HC	10	240
4	580-040	560-040	25	100	580-040HC	560-040HC	10	240
4-1/2	580-045	560-045	25	100	580-045HC	560-045HC	10	240
5	580-050	560-050	25	100	580-050HC	560-050HC	10	240
5-1/2	580-055	560-055	25	100	580-055HC	560-055HC	10	240
6	580-060	560-060	25	100	580-060HC	560-060HC	10	240
7	580-070	560-070	25	100	-	-	-	-
8	580-080	560-080	-	25	580-080HC	560-080HC	25	150
9	580-090	560-090	25	100	-	-	-	-
10	580-100	560-100	-	25	580-100HC	560-100HC	25	150
11	580-110	560-110	25	100	-	-	-	-
12	580-120	560-120	-	25	580-120HC	560-120HC	25	150

1/4" • SCHEDULE 40 WELDED STEEL NIPPLES



LENGTH	BULK PART NBR				BARCODED PART NBR			
	BLACK	GALV	INNER QTY	MC QTY	BLACK	GALV	INNER QTY	MC QTY
Close	581-001	561-001	25	100	581-001HN	561-001HN	-	10
1-1/2	581-015	561-015	25	100	581-015HC	561-015HN	10	-
2	581-020	561-020	25	100	581-020HN	561-020HN	-	10
2-1/2	581-025	561-025	25	100	581-025HC	561-025HC	10	480
3	581-030	561-030	25	100	581-030HN	561-030HN	-	10
3-1/2	581-035	561-035	25	100	581-035HC	561-035HC	10	240
4	581-040	561-040	25	100	581-040HN	561-040HN	-	10
4-1/2	581-045	561-045	25	100	581-045HC	561-045HC	10	240
5	581-050	561-050	25	100	581-050HN	561-050HN	-	10
5-1/2	581-055	561-055	25	100	581-055HC	561-055HC	10	240

STEEL NIPPLES & PIPE

1/4" (continued) • SCHEDULE 40 WELDED STEEL NIPPLES



LENGTH	BULK PART NBR				BARCODED PART NBR			
	BLACK	GALV	INNER QTY	MC QTY	BLACK	GALV	INNER QTY	MC QTY
6	581-060	561-060	25	100	581-060HN	561-060HN	-	10
7	581-070	561-070	25	100	-	-	-	-
8	581-080	561-080	-	25	581-080HC	561-080HC	25	150
9	581-090	561-090	25	100	-	-	-	-
10	581-100	561-100	-	25	581-100HC	561-100HC	25	150
11	581-110	561-110	25	100	-	-	-	-
12	581-120	561-120	-	25	581-120HC	561-120HC	25	150

3/8" • SCHEDULE 40 WELDED STEEL NIPPLES



LENGTH	BULK PART NBR				BARCODED PART NBR			
	BLACK	GALV	INNER QTY	MC QTY	BLACK	GALV	INNER QTY	MC QTY
Close	582-001	562-001	25	100	582-001HN	562-001HN	-	10
1-1/2	582-015	562-015	25	100	582-015HC	562-015HC	10	480
2	582-020	562-020	25	100	582-020HN	562-020HN	-	10
2-1/2	582-025	562-025	25	100	582-025HC	562-025HC	10	480
3	582-030	562-030	25	100	582-030HN	562-030HN	-	10
3-1/2	582-035	562-035	25	100	582-035HC	562-035HC	10	240
4	582-040	562-040	25	100	582-040HN	562-040HN	-	5
4-1/2	582-045	562-045	25	100	582-045HC	562-045HC	10	240
5	582-050	562-050	25	100	582-050HN	562-050HN	-	10
5-1/2	582-055	562-055	25	100	582-055HC	562-055HC	10	240
6	582-060	562-060	25	100	582-060HN	562-060HN	-	5
7	582-070	562-070	25	75	582-070HC	562-070HC	25	150
8	582-080	562-080	-	25	582-080HC	562-080HC	25	150
9	582-090	562-090	25	75	-	-	-	-
10	582-100	562-100	-	25	582-100HC	562-100HC	25	75
11	582-110	562-110	25	75	-	-	-	-
12	582-120	562-120	-	25	582-120HC	562-120HC	25	75



1/2" • SCHEDULE 40 WELDED STEEL NIPPLES

LENGTH	BULK PART NBR				BARCODED PART NBR			
	BLACK	GALV	INNER QTY	MC QTY	BLACK	GALV	INNER QTY	MC QTY
Close	583-001	563-001	25	100	583-001HN	563-001HN	-	25
1-1/2	583-015	563-015	25	100	583-015HN	563-015HN	-	20
2	583-020	563-020	25	100	583-020HN	563-020HN	-	25
2-1/2	583-025	563-025	-	25	583-025HN	563-025HN	-	15
3	583-030	563-030	-	25	583-030HN	563-030HN	-	25
3-1/2	583-035	563-035	-	25	583-035HC	563-035HN	-	25 / 10
4	583-040	563-040	-	25	583-040HN	563-040HN	-	20
4-1/2	583-045	563-045	-	25	583-045HN	563-045HN	-	15
5	583-050	563-050	-	25	583-050HN	563-050HN	-	15
5-1/2	583-055	563-055	-	25	583-055HC	-	25	100
6	583-060	563-060	-	25	583-060HN	563-060HN	-	15
6-1/2	583-065	563-065	-	25	-	-	-	-
7	583-070	563-070	-	25	583-070HC	563-070HC	25	75
7-1/2	583-075	563-075	-	25	-	-	-	-
8	583-080	563-080	-	25	583-080HN	563-080HN	-	15
8-1/2	583-085	563-085	-	25	-	-	-	-
9	583-090	563-090	-	25	583-090HN	563-090HC	-	25
9-1/2	583-095	563-095	-	25	-	-	-	-
10	583-100	563-100	-	25	583-100HN	563-100HN	-	15
10-1/2	583-105	563-105	-	25	-	-	-	-
11	583-110	563-110	-	25	583-110HC	563-110HC	25	75
11-1/2	583-115	563-115	-	25	-	-	-	-
12	583-120	563-120	-	25	583-120HN	563-120HN	-	15

STEEL NIPPLES & PIPE

3/4" • SCHEDULE 40 WELDED STEEL NIPPLES



LENGTH	BULK PART NBR				BARCODED PART NBR			
	BLACK	GALV	INNER QTY	MC QTY	BLACK	GALV	INNER QTY	MC QTY
Close	584-001	564-001	25	100	584-001HN	564-001HN	-	15
1-1/2	584-015	564-015	25	100	584-015HN	564-015HN	-	15
2	584-020	564-020	-	25	584-020HN	564-020HN	-	20
2-1/2	584-025	564-025	-	25	584-025HN	564-025HN	-	15
3	584-030	564-030	-	25	584-030HN	564-030HN	-	15
3-1/2	584-035	564-035	-	25	584-035HN	564-035HN	-	15
4	584-040	564-040	-	25	584-040HN	564-040HN	-	15
4-1/2	584-045	564-045	-	25	584-045HN	564-045HN	-	20
5	584-050	564-050	-	25	584-050HN	564-050HN	-	20
5-1/2	584-055	564-055	-	25	584-055HC	564-055HC	25	100
6	584-060	564-060	-	25	584-060HN	564-060HN	-	15
6-1/2	584-065	564-065	-	25	-	-	-	-
7	584-070	564-070	-	25	584-070HC	564-070HC	25	50
7-1/2	584-075	564-075	-	25	-	-	-	-
8	584-080	564-080	-	25	584-080HN	564-080HN	-	10
8-1/2	584-085	564-085	-	25	-	-	-	-
9	584-090	564-090	-	25	-	-	-	-
9-1/2	584-095	564-095	-	25	-	-	-	-
10	584-100	564-100	-	25	584-100HN	564-100HN	-	10
10-1/2	584-105	564-105	-	25	-	-	-	-
11	584-110	564-110	-	25	-	-	-	-
11-1/2	584-115	564-115	-	25	-	-	-	-
12	584-120	564-120	-	25	584-120HN	564-120HN	-	15



1" • SCHEDULE 40 WELDED STEEL NIPPLES

LENGTH	BULK PART NBR				BARCODED PART NBR			
	BLACK	GALV	INNER QTY	MC QTY	BLACK	GALV	INNER QTY	MC QTY
Close	585-001	565-001	-	25	585-001HN	565-001HN	-	10
2	585-020	565-020	-	25	585-020HN	565-020HN	-	10
2-1/2	585-025	565-025	-	25	585-025HN	565-025HC	-	10
3	585-030	565-030	-	25	585-030HN	565-030HN	-	5
3-1/2	585-035	565-035	-	25	585-035HN	565-035HC	-	5 / 10
4	585-040	565-040	-	25	585-040HN	565-040HN	-	10
4-1/2	585-045	565-045	-	25	585-045HN	565-045HC	10	5 / 10
5	585-050	565-050	-	25	585-050HN	565-050HN	-	5
5-1/2	585-055	565-055	-	25	585-055HC	565-055HC	10	80
6	585-060	565-060	-	25	585-060HN	565-060HN	-	5
6-1/2	585-065	565-065	-	25	-	-	-	-
7	585-070	565-070	-	25	585-070HC	565-070HC	10	40
7-1/2	585-075	565-075	-	25	-	-	-	-
8	585-080	565-080	-	25	585-080HN	565-080HN	-	5
8-1/2	585-085	565-085	-	25	-	-	-	-
9	585-090	565-090	-	25	-	-	-	-
9-1/2	585-095	565-095	-	25	-	-	-	-
10	585-100	565-100	-	25	585-100HN	565-100HN	-	5
10-1/2	585-105	565-105	-	25	-	-	-	-
11	585-110	565-110	-	25	-	-	-	-
11-1/2	585-115	565-115	-	25	-	-	-	-
12	585-120	565-120	-	25	585-120HN	565-120HN	-	5

STEEL NIPPLES & PIPE

1-1/4" • SCHEDULE 40 WELDED STEEL NIPPLES



LENGTH	BULK PART NBR				BARCODED PART NBR			
	BLACK	GALV	INNER QTY	MC QTY	BLACK	GALV	INNER QTY	MC QTY
Close	586-001	566-001	-	25	586-001HN	566-001HN	-	5
2	586-020	566-020	-	25	586-020HN	566-020HN	-	5
2-1/2	586-025	566-025	-	25	586-025HC	566-025HC	5	80
3	586-030	566-030	-	25	586-030HN	566-030HN	-	5
3-1/2	586-035	566-035	-	25	586-035HC	566-035HC	5	60
4	586-040	566-040	-	25	586-040HN	566-040HN	-	5
4-1/2	586-045	566-045	-	25	586-045HC	566-045HC	5	60
5	586-050	566-050	-	25	586-050HC	566-050HC	5	60
5-1/2	586-055	566-055	-	25	586-055HC	566-055HC	5	60
6	586-060	566-060	-	25	586-060HN	566-060HN	-	5
6-1/2	586-065	566-065	-	25	-	-	-	-
7	586-070	566-070	-	25	-	-	-	-
7-1/2	586-075	566-075	-	25	-	-	-	-
8	586-080	566-080	-	25	586-080HN	566-080HN	-	5
8-1/2	586-085	566-085	-	25	-	-	-	-
9	586-090	566-090	-	25	-	-	-	-
10	586-100	566-100	-	25	586-100HN	566-100HN	-	5
11	586-110	566-110	-	10	-	-	-	-
12	586-120	566-120	-	10	586-120HN	566-120HN	-	5
10-1/2	584-105	564-105	-	25	-	-	-	-
11	584-110	564-110	-	25	-	-	-	-
11-1/2	584-115	564-115	-	25	-	-	-	-
12	584-120	564-120	-	25	584-120HN	564-120HN	-	15



1-1/2" • SCHEDULE 40 WELDED STEEL NIPPLES

LENGTH	BULK PART NBR				BARCODED PART NBR			
	BLACK	GALV	INNER QTY	MC QTY	BLACK	GALV	INNER QTY	MC QTY
Close	587-001	567-001	-	25	587-001HN	567-001HN	-	5
2	587-020	567-020	-	25	587-020HN	567-020HN	-	5
2-1/2	587-025	567-025	-	25	587-025HC	567-025HC	5	80
3	587-030	567-030	-	25	587-030HN	567-030HN	-	5
3-1/2	587-035	567-035	-	25	587-035HC	567-035HC	5	60
4	587-040	567-040	-	25	587-040HN	567-040HN	-	5
4-1/2	587-045	567-045	-	25	587-045HC	567-045HC	5	20
5	587-050	567-050	-	25	587-050HC	567-050HN	-	5
5-1/2	587-055	567-055	-	25	587-055HC	567-055HC	5	20
6	587-060	567-060	-	25	587-060HN	567-060HN	-	5
6-1/2	587-065	567-065	-	10	-	-	-	-
7	587-070	567-070	-	10	-	-	-	-
7-1/2	587-075	567-075	-	10	-	-	-	-
8	587-080	567-080	-	10	587-080HN	567-080HN	-	5
8-1/2	587-085	567-085	-	10	-	-	-	-
9	587-090	567-090	-	10	-	-	-	-
9-1/2	587-095	567-095	-	10	-	-	-	-
10	587-100	567-100	-	10	587-100HN	567-100HN	-	4
10-1/2	587-105	567-105	-	10	-	-	-	-
11	587-110	567-110	-	10	-	-	-	-
11-1/2	587-115	567-115	-	10	-	-	-	-
12	587-120	567-120	-	10	587-120HN	567-120HN	-	4

STEEL NIPPLES & PIPE

2" • SCHEDULE 40 WELDED STEEL NIPPLES



LENGTH	BULK PART NBR				BARCODED PART NBR			
	BLACK	GALV	INNER QTY	MC QTY	BLACK	GALV	INNER QTY	MC QTY
Close	588-001	568-001	-	25	588-001HN	568-001HN	-	5
2-1/2	588-025	568-025	-	25	588-025HC	568-025HN	-	5
3	588-030	568-030	-	25	588-030HN	568-030HN	-	5
3-1/2	588-035	568-035	-	25	588-035HC	568-035HC	5	30
4	588-040	568-040	-	25	588-040HN	568-040HN	-	4
4-1/2	588-045	568-045	-	25	588-045HC	568-045HC	5	20
5	588-050	568-050	-	25	588-050HN	568-050HN	-	3
5-1/2	588-055	568-055	-	25	588-055HC	568-055HC	5	20
6	588-060	568-060	-	25	588-060HN	568-060HN	-	3
6-1/2	588-065	568-065	-	10	-	-	-	-
7	588-070	568-070	-	10	-	-	-	-
7-1/2	588-075	568-075	-	10	-	-	-	-
8	588-080	568-080	-	10	588-080HC	568-080HN	-	5 / 2
8-1/2	588-085	568-085	-	10	-	-	-	-
9	588-090	568-090	-	10	-	-	-	-
9-1/2	588-095	568-095	-	10	-	-	-	-
10	588-100	568-100	-	10	588-100HC	568-100HN	-	5
10-1/2	588-105	568-105	-	10	-	-	-	-
11	588-110	568-110	-	10	-	-	-	-
11-1/2	588-115	568-115	-	10	-	-	-	-
12	588-120	568-120	-	10	588-120HC	568-120HN	-	5
11-1/2	584-115	564-115	-	25	-	-	-	-
12	584-120	564-120	-	25	584-120HN	564-120HN	-	15

2-1/2" • SCHEDULE 40 WELDED STEEL NIPPLES



LENGTH	BULK PART NBR				BARCODED PART NBR			
	BLACK	GALV	INNER QTY	MC QTY	BLACK	GALV	INNER QTY	MC QTY
Close	589-001	569-001	-	10	589-001BC	569-001BC	-	25
3	589-030	569-030	-	10	589-030BC	569-030BC	-	25
3-1/2	589-035	569-035	-	10	-	-	-	-
4	589-040	569-040	-	10	589-040BC	569-040BC	-	25
4-1/2	589-045	569-045	-	10	-	-	-	-
5	589-050	569-050	-	10	589-050BC	569-050BC	-	25
5-1/2	589-055	569-055	-	10	-	-	-	-
6	589-060	569-060	-	10	589-060BC	569-060BC	-	25
7	589-070	569-070	-	10	-	-	-	-
8	589-080	569-080	-	10	589-080BC	569-080BC	-	16
9	589-090	569-090	-	10	-	-	-	-
10	589-100	569-100	-	5	589-100BC	569-100BC	-	16
11	589-110	569-110	-	5	-	-	-	-
12	589-120	569-120	-	5	589-120BC	569-120BC	-	10

3" • SCHEDULE 40 WELDED STEEL NIPPLES



LENGTH	BULK PART NBR				BARCODED PART NBR			
	BLACK	GALV	INNER QTY	MC QTY	BLACK	GALV	INNER QTY	MC QTY
Close	590-001	570-001	-	10	590-001BC	570-001BC	-	25
2-1/2	590-025	570-025	-	10	-	-	-	-
3	590-030	570-030	-	10	590-030BC	570-030BC	5	25
3-1/2	590-035	570-035	-	10	-	-	-	-
4	590-040	570-040	-	10	590-040BC	570-040BC	-	25
4-1/2	590-045	570-045	-	10	-	-	-	-
5	590-050	570-050	-	10	590-050BC	570-050BC	-	10
5-1/2	590-055	570-055	-	10	-	-	-	-
6	590-060	570-060	-	10	590-060BC	570-060BC	-	10
7	590-070	570-070	-	5	-	-	-	-
8	590-080	570-080	-	5	590-080BC	570-080BC	-	16
9	590-090	570-090	-	5	-	-	-	-
10	590-100	570-100	-	5	590-100BC	570-100BC	-	10
11	590-110	570-110	-	5	-	-	-	-
12	590-120	570-120	-	5	590-120BC	570-120BC	-	10

STEEL NIPPLES & PIPE

4" • SCHEDULE 40 WELDED STEEL NIPPLES



LENGTH	BULK PART NBR				BARCODED PART NBR			
	BLACK	GALV	INNER QTY	MC QTY	BLACK	GALV	INNER QTY	MC QTY
Close	591-001	571-001	-	10	591-001BC	571-001BC	10	20
3-1/2	591-035	571-035	-	6	-	-	-	-
4	591-040	571-040	-	6	591-040BC	571-040BC	-	6
4-1/2	591-045	571-045	-	6	-	-	-	-
5	591-050	571-050	-	6	591-050BC	571-050BC	-	6
5-1/2	591-055	571-055	-	5	-	-	-	-
6	591-060	571-060	-	5	591-060BC	571-060BC	5	10
7	591-070	571-070	-	3	-	-	-	-
8	591-080	571-080	-	3	591-080BC	571-080BC	-	3
9	591-090	571-090	-	3	-	-	-	-
10	591-100	571-100	-	3	591-100BC	571-100BC	-	5
11	591-110	571-110	-	3	-	-	-	-
12	591-120	571-120	-	3	591-120BC	571-120BC	-	5

6" • SCHEDULE 40 WELDED STEEL NIPPLES



LENGTH	BULK PART NBR				BARCODED PART NBR			
	BLACK	GALV	INNER QTY	MC QTY	BLACK	GALV	INNER QTY	MC QTY
Close	593-001	573-001	-	2	-	-	-	-
4	593-040	573-040	-	2	-	-	-	-
4-1/2	593-045	573-045	-	2	-	-	-	-
5	593-050	573-050	-	2	-	-	-	-
5-1/2	593-055	573-055	-	2	-	-	-	-
6	593-060	573-060	-	2	-	-	-	-
8	593-080	573-080	-	1	-	-	-	-
9	593-090	573-090	-	1	-	-	-	-
10	593-100	573-100	-	1	-	-	-	-
11	593-110	573-110	-	1	-	-	-	-
12	593-120	573-120	-	1	-	-	-	-



STEEL COUPLINGS • STRAIGHT TAPPED

SIZE	BULK PART NBR				BARCODED PART NBR			
	BLACK	GALV	INNER QTY	MC QTY	BLACK	GALV	INNER QTY	MC QTY
1/8"	521-220	511-220	60	720	-	-	-	-
1/4"	521-222	511-221	60	720	-	-	-	-
3/8"	521-222	511-222	50	600	-	-	-	-
1/2"	521-223	511-223	40	480	-	-	-	-
3/4"	521-224	511-224	50	300	-	-	-	-
1"	521-225	511-225	25	150	-	-	-	-
1-1/4"	521-226	511-226	16	128	-	-	-	-
1-1/2"	521-227	511-227	18	72	-	-	-	-
2"	521-228	511-228	12	48	-	-	-	-
2-1/2"	521-229	511-229	-	- / 16	-	-	-	-
3"	521-230	511-230	-	- / 12	-	-	-	-
4"	521-231	511-231	-	- / 7	-	-	-	-

WELDED STEEL NIPPLES SCHEDULE 40

SINGLE PIPE NIPPLE ASSORTMENTS IN SLANT BOX

BLACK	GALV	TOTAL PIECES	CLOSE	1-1/2"	2"	2-1/2"	3"	3-1/2"	4"	4-1/2"	5"	5-1/2"	6"	DESCRIPTION	EA WT.	MC QTY
580-000R	560-000R	11	1	1	1	1	1	1	1	1	1	1	1	1/8" x Slant Box Single Assortments	1	1
581-000R	561-000R	11	1	1	1	1	1	1	1	1	1	1	1	1/4" x Slant Box Single Assortments	2	1
582-000R	562-000R	11	1	1	1	1	1	1	1	1	1	1	1	3/8" x Slant Box Single Assortments	2	1
583-000R	563-000R	11	1	1	1	1	1	1	1	1	1	1	1	1/2" x Slant Box Single Assortments	3	1
584-000R	564-000R	11	1	1	1	1	1	1	1	1	1	1	1	3/4" x Slant Box Single Assortments	4	1
585-000R	565-000R	10	1	-	1	1	1	1	1	1	1	1	1	1" x Slant Box Single Assortments	5	1
586-000R	566-000R	10	1	-	1	1	1	1	1	1	1	1	1	1-1/4" x Slant Box Single Assortments	7	1
587-000R	567-000R	10	1	-	1	1	1	1	1	1	1	1	1	1-1/2" x Slant Box Single Assortments	8	1
588-000R	568-000R	9	1	-	-	1	1	1	1	1	1	1	1	2" x Slant Box Single Assortments	9	1

NIPPLE ASSORTMENTS

WELDED STEEL NIPPLES SCHEDULE 40 SPECIAL "66" PIPE NIPPLE ASSORTMENTS

BLACK	GALV	TOTAL PIECES	CLOSE	1-1/2"	2"	2-1/2"	3"	3-1/2"	4"	4-1/2"	5"	5-1/2"	6"	DESCRIPTION	EA WT.	MC QTY
583-000	563-000	66	6	6	6	6	6	6	6	6	6	6	6	1/2" x Standard Box 66 pc. Assortment	14	1
584-000	564-000	66	6	6	6	6	6	6	6	6	6	6	6	3/4" x Standard Box 66 pc. Assortment	19	1
585-000	565-000	60	6	-	6	6	6	6	6	6	6	6	6	1" x Standard Box 66 pc. Assortment	27	1
586-000	566-000	60	6	-	6	6	6	6	6	6	6	6	6	1-1/4" Standard Box 66 pc. Assortment	37	1
587-000	567-000	60	6	-	6	6	6	6	6	6	6	6	6	1-1/2" Standard Box 66 pc. Assortment	46	1
588-000	568-000	54	6	-	-	6	6	6	6	6	6	6	6	2" Standard Box 66 pc. Assortment	59	1

WELDED STEEL NIPPLES SCHEDULE 40 STANDARD PIPE NIPPLE ASSORTMENTS

BLACK	GALV	TOTAL PIECES	CLOSE	1-1/2"	2"	2-1/2"	3"	3-1/2"	4"	4-1/2"	5"	5-1/2"	6"	DESCRIPTION	EA WT.	MC QTY
580-000P100	560-000P100	100	20	10	15	10	10	5	10	5	5	5	5	1/8" x Special 100 pc. Assortment	11	1
581-000P100	561-000P100	100	20	10	15	10	10	5	10	5	5	5	5	1/4" x Special 100 pc. Assortment	11	1
582-000P100	562-000P100	100	20	10	15	10	10	5	10	5	5	5	5	3/8" x Special 100 pc. Assortment	12	1
583-000P100	563-000P100	100	20	10	15	10	10	5	10	5	5	5	5	1/2" x Special 100 pc. Assortment	18	1
584-000P100	564-000P100	100	15	-	20	20	10	5	10	5	5	5	5	3/4" x Special 100 pc. Assortment	24	1

For Steel Pipe, Pre-Cut Pipe, Extra-Heavy Nipples, Seamless Nipples,
please visit our wholesale literature page at our website:

www.bkproducts.com

WELDED STEEL NIPPLES SCHEDULE 40

SPECIAL "25" PIPE NIPPLE ASSORTMENTS

BLACK	GALV	TOTAL PIECES	CLOSE	1-1/2"	2"	2-1/2"	3"	3-1/2"	4"	4-1/2"	5"	5-1/2"	6"	DESCRIPTION	EA WT.	MC QTY
583-000P25	563-000P25	25	4	3	3	3	2	2	2	1	2	1	2	1/2" x Special 25 pc. Assortment	5	6
584-000P25	564-000P25	25	6	-	4	3	2	2	2	1	2	1	2	3/4" x Special 25 pc. Assortment	6	1
585-000P25	565-000P25	25	5	-	5	3	2	2	2	1	2	1	2	1" x Special 25 pc. Assortment	9	1
586-000P25	566-000P25	25	5	-	5	3	2	2	2	1	2	1	2	1-1/4" x Special 25 pc. Assortment	12	1
587-000P25	567-000P25	25	5	-	5	3	2	2	2	1	2	1	2	1-1/2" x Special 25 pc. Assortment	15	1
588-000P25	568-000P25	25	5	-	-	4	3	2	3	2	2	2	2	2" x Special 25 pc. Assortment	24	1

WELDED STEEL NIPPLES SCHEDULE 40

66 PACK PIPE NIPPLE ASSORTMENTS IN SLANT BOX

BLACK	GALV	TOTAL PIECES	CLOSE	1-1/2"	2"	2-1/2"	3"	3-1/2"	4"	4-1/2"	5"	5-1/2"	6"	DESCRIPTION	EA WT.	MC QTY
583-000P66	563-000P66	66	6	6	6	6	6	6	6	6	6	6	6	1/2" x Slant Box 66 pc. Assortment	15	1
585-000P66	564-000P66	66	6	6	6	6	6	6	6	6	6	6	6	3/4" x Slant Box 66 pc. Assortment	20	1
585-000P60	565-000P60	60	6	-	6	6	6	6	6	6	6	6	6	1" x Slant Box 66 pc. Assortment	22	1

For Steel Pipe, Pre-Cut Pipe, Extra-Heavy Nipples, Seamless Nipples,
please visit our wholesale literature page at our website:

www.bkproducts.com



RED BRASS FITTINGS

B&K Red Brass Fittings are perfect for your connection needs. Each fitting comes in a variety of sizes and connections and is certified for quality and longevity.



ELBOW • 90°

Item No.	Product Description	Inner Quantity	Master Carton Quantity
450-000NL	1/8"	5	25
450-001NL	1/4"	5	25
450-002NL	3/8"	5	25
450-003NL	1/2"	5	25
450-004NL	3/4"	5	25
550-005NL	1"	5	25
550-007NL	1-1/2"	5	35
450-006NL	1-1/4"	5	25
450-008NL	2"	5	20
450-032NL	1/2" X 3/8"	5	25
450-043NL	3/4" X 1/2"	5	25
450-053NL	1" X 1/2"	5	25
450-054NL	1" X 3/4"	5	25
450-075NL	1-1/2" X 1"	5	10
450-076NL	1-1/2" X 1-1/4"	5	10
450-085NL	2" X 1"	5	10
450-087NL	2" X 1-1/2"	5	10
452-000NL	1/8" STREET	5	25
452-001NL	1/4" STREET	5	25
452-002NL	3/8" STREET	5	25
452-003NL	1/2" STREET	5	25
452-004NL	3/4" STREET	5	25
452-005NL	1" STREET	5	25
452-006NL	1-1/4" STREET	5	20
452-007NL	1-1/2" STREET	5	20
452-008NL	2" STREET	5	20



ELBOW • 45°

Item No.	Product Description	Inner Quantity	Master Carton Quantity
451-000NL	1/8"	5	25
451-001NL	1/4"	5	25
451-002NL	3/8"	5	25
451-003NL	1/2"	5	25
451-004NL	3/4"	5	25
451-005NL	1"	5	25
451-006NL	1-1/4"	5	25
451-007NL	1-1/2"	5	25
451-008NL	2"	5	25
451-100NL	1/8" STREET	5	25
451-101NL	1/4" STREET	5	25
451-102NL	3/8" STREET	5	25
451-103NL	1/2" STREET	5	25
451-104NL	3/4" STREET	5	25
451-105NL	1" STREET	5	25
451-106NL	1-1/4" STREET	5	10
451-107NL	1-1/2" STREET	5	10

RED BRASS FITTINGS



TEE

Item No.	Product Description	Inner Quantity	Master Carton Quantity
453-000NL	1/8"	5	25
453-001NL	1/4"	5	25
453-002NL	3/8"	5	25
453-003NL	1/2"	5	25
453-004NL	3/4"	5	25
553-005NL	1"	5	25
453-006NL	1-1/4"	5	25
553-007NL	1-1/2"	5	25
553-008NL	2"	5	5
453-041NL	1/2" X 1/4"	5	15
453-042NL	3/4" X 1/2" X 3/4"	5	15
453-043NL	3/4" X 1/2"	5	25
453-044NL	1" X 3/8"	5	25
453-045NL	1" X 3/4" X 1"	5	25
453-048NL	1-1/2" X 1"	5	20
453-052NL	3/4" X 1/2" X 1/2"	5	25
453-053NL	1" X 1/2"	5	25
453-054NL	1" X 3/4"	5	25
453-055NL	1-1/4" X 1"	5	15
453-056NL	1" X 3/4" X 3/4"	5	25
453-073NL	1-1/2" X 1/2"	5	15
453-074NL	1-1/2" X 3/4"	5	15



CROSS

Item No.	Product Description	Inner Quantity	Master Carton Quantity
453-100NL	1/8"	5	25
453-101NL	1/4"	5	25
453-102NL	3/8"	5	25
453-103NL	1/2"	5	25
453-104NL	3/4"	5	25
453-105NL	1"	5	25



COUPLING

Item No.	Product Description	Inner Quantity	Master Carton Quantity
454-000NL	1/8"	5	25
454-001NL	1/4"	5	25
454-002NL	3/8"	5	25
454-003NL	1/2"	5	25
454-004NL	3/4"	5	25
454-005NL	1"	5	25
454-006NL	1-1/4"	5	25
454-007NL	1-1/2"	5	25
454-008NL	2"	5	25
454-010NL	1/2" X 1/8"	5	25
454-021NL	3/8" X 1/4"	5	25
454-025NL	1/2" X 1/8"	5	25
454-031NL	1/2" X 1/4"	5	25
454-032NL	1/2" X 3/8"	5	25
454-041NL	3/4" X 1/4"	5	25



COUPLING

Item No.	Product Description	Inner Quantity	Master Carton Quantity
454-042NL	3/4" X 3/8"	5	25
454-043NL	3/4" X 1/2"	5	25
454-053NL	1" X 1/2"	5	25
454-054NL	1" X 3/4"	5	25
454-064NL	1-1/4" X 3/4"	5	25
454-065NL	1-1/4" X 1"	5	25
454-074NL	1-1/2" X 3/4"	5	25
454-075NL	1-1/2" X 1"	5	25
454-076NL	1-1/2" X 1-1/4"	5	25
454-084NL	2" X 3/4"	5	25
454-085NL	2" X 1"	5	30
454-086NL	2" X 1-1/4"	5	30
454-087NL	2" X 1-1/2"	5	30



HEX BUSHING

Item No.	Product Description	Inner Quantity	Master Carton Quantity
455-010NL	1/4" X 1/8"	5	25
455-020NL	3/8" X 1/8"	5	25
455-021NL	3/8" X 1/4"	5	25
455-030NL	1/2" X 1/8"	5	25
455-031NL	1/2" X 1/4"	5	25
455-032NL	1/2" X 3/8"	5	25
455-040NL	3/4" X 1/8"	5	25
455-041NL	3/4" X 1/4"	5	25
455-042NL	3/4" X 3/8"	5	25
455-043NL	3/4" X 1/2"	5	25
455-051NL	1" X 1/4"	5	25
455-052NL	1" X 3/8"	5	25
455-053NL	1" X 1/2"	5	25
455-054NL	1" X 3/4"	5	25
455-063NL	1-1/4" X 1/2"	5	25
455-064NL	1-1/4" X 3/4"	5	25
455-065NL	1-1/4" X 1"	5	25
455-074NL	1-1/2" X 3/4"	5	25
455-075NL	1-1/2" X 1"	5	25
455-076NL	1-1/2" X 1-1/4"	5	25
455-077NL	1-1/2" X 1/2"	5	25
455-084NL	2" X 3/4"	5	25
455-085NL	2" X 1"	5	25
455-086NL	2" X 1-1/4"	5	25
455-087NL	2" X 1-1/2"	5	25
455-090NL	2-1/2" X 2"	5	25
455-091NL	3" X 2"	5	15



LOCK NUT

Item No.	Product Description	Inner Quantity	Master Carton Quantity
456-000NL	1/8"	5	25
456-001NL	1/4"	5	25
456-002NL	3/8"	5	25

RED BRASS FITTINGS



LOCK NUT

Item No.	Product Description	Inner Quantity	Master Carton Quantity
456-003NL	1/2"	5	25
456-004NL	3/4"	5	25



CAP

Item No.	Product Description	Inner Quantity	Master Carton Quantity
457-000NL	1/8"	5	25
457-001NL	1/4"	5	25
457-002NL	3/8"	5	25
457-003NL	1/2"	5	25
457-004NL	3/4"	5	25
557-005NL	1"	5	25
457-006NL	1-1/4"	5	25
557-007NL	1-1/2"	5	25
457-008NL	2"	5	25



PLUG • SOLID

Item No.	Product Description	Inner Quantity	Master Carton Quantity
458-000NL	1/8"	5	25
458-001NL	1/4"	5	25
458-002NL	3/8"	5	25
458-003NL	1/2"	5	25
458-004NL	3/4"	5	25



PLUG • COUNTER SUNK

Item No.	Product Description	Inner Quantity	Master Carton Quantity
458-013NL	1/2"	5	50
458-014NL	3/4"	5	30
458-016NL	1"	5	15
458-017NL	1-1/2"	5	15
458-018NL	2"	5	15



PLUG • CORED

Item No.	Product Description	Inner Quantity	Master Carton Quantity
458-093NL	1/2"	5	25
458-094NL	3/4"	5	25
458-095NL	1"	5	25
458-096NL	1-1/4"	5	25
458-097NL	1-1/2"	5	25
458-098NL	2"	5	25



UNION • THREADED

Item No.	Product Description	Inner Quantity	Master Carton Quantity
459-000NL	1/8"	5	25
459-001NL	1/4"	5	25
459-002NL	3/8"	5	25
459-003NL	1/2"	5	25
459-004NL	3/4"	5	25
559-005NL	1"	5	25
459-006NL	1-1/4"	5	15
559-007NL	1-1/2"	5	15
459-008NL	2"	5	15

RED BRASS FITTINGS



NIPPLE

Item No.	Product Description	Inner Quantity	Master Carton Quantity
460-001	1/8" X CLOSE	5	25
460-001HC	1/8" X CLOSE	-	25
460-015	1/8" X 1-1/2"	5	25
460-015HC	1/8" X 1-1/2"	-	25
460-020	1/8" X 2"	5	25
460-025	1/8" X 2-1/2"	5	25
460-030	1/8" X 3"	5	25
460-030HC	1/8" X 3"	-	25
460-035	1/8" X 3-1/2"	5	25
460-040	1/8" X 4"	5	25
460-040HC	1/8" X 4"	-	25
460-045	1/8" X 4-1/2"	5	25
460-050	1/8" X 5"	5	25
460-055	1/8" X 5-1/2"	5	25
460-060	1/8" X 6"	5	25
461-001	1/4" X CLOSE	5	25
461-015	1/4" X 1-1/2"	5	25
461-015HC	1/4" X 1-1/2"	-	25
461-020	1/4" X 2"	5	25
461-020HC	1/4" X 2"	-	25
461-025	1/4" X 2-1/2"	5	25
461-030	1/4" X 3"	5	25
461-030HC	1/4" X 3"	-	25
461-035	1/4" X 3-1/2"	5	25
461-040	1/4" X 4"	5	25
461-040HC	1/4" X 4"	-	25
461-045	1/4" X 4-1/2"	5	25
461-050	1/4" X 5"	5	25
461-055	1/4" X 5-1/2"	5	25
461-060	1/4" X 6"	5	25
461-060HC	1/4" X 6"	-	25
462-001	3/8" X CLOSE	5	25
462-001HC	3/8" X CLOSE	-	25
462-015	3/8" X 1-1/2"	5	25
462-015HC	3/8" X 1-1/2"	-	25
462-020	3/8" X 2"	5	25
462-020HC	3/8" X 2"	-	25
462-025	3/8" X 2-1/2"	5	25
462-030	3/8" X 3"	5	25
462-030HC	3/8" X 3"	-	25
462-035	3/8" X 3-1/2"	5	25
462-040	3/8" X 4"	5	25
462-040HC	3/8" X 4"	-	25
462-045	3/8" X 4-1/2"	5	25
462-050	3/8" X 5"	5	25
462-055	3/8" X 5-1/2"	5	25
462-060	3/8" X 6"	5	25
462-080	3/8" X 8"	5	25
462-120	3/8" X 12"	5	25
463-001	1/2" X CLOSE	5	25
463-001HC	1/2" X CLOSE	-	25
463-015	1/2" X 1-1/2"	5	25
463-015HC	1/2" X 1-1/2"	-	25
463-020	1/2" X 2"	5	25
463-020HC	1/2" X 2"	-	25



NIPPLE

Item No.	Product Description	Inner Quantity	Master Carton Quantity
463-025	1/2" X 2-1/2"	5	25
463-030	1/2" X 3"	5	25
463-030HC	1/2" X 3"	-	25
463-035	1/2" X 3-1/2"	5	25
463-040	1/2" X 4"	5	25
463-040HC	1/2" X 4"	-	25
463-045	1/2" X 4-1/2"	5	25
463-050	1/2" X 5"	5	25
463-050HC	1/2" X 5"	-	25
463-055	1/2" X 5-1/2"	5	25
463-060	1/2" X 6"	5	25
463-060HC	1/2" X 6"	-	25
463-080	1/2" X 8"	5	25
463-100	1/2" X 10"	5	25
463-120	1/2" X 12"	5	10
464-001	3/4" X CLOSE	5	25
464-001HC	3/4" X CLOSE	-	25
464-015	3/4" X 1-1/2"	5	25
464-015HC	3/4" X 1-1/2"	-	25
464-020	3/4" X 2"	5	25
464-020HC	3/4" X 2"	-	25
464-025	3/4" X 2-1/2"	5	25
464-030	3/4" X 3"	5	25
464-030HC	3/4" X 3"	-	20
464-035	3/4" X 3-1/2"	5	25
464-040	3/4" X 4"	5	25
464-040HC	3/4" X 4"	-	20
464-045	3/4" X 4-1/2"	5	25
464-050	3/4" X 5"	5	25
464-050HC	3/4" X 5"	-	25
464-055	3/4" X 5-1/2"	5	25
464-060	3/4" X 6"	5	25
464-060HC	3/4" X 6"	-	25
464-080	3/4" X 8"	5	50
464-100	3/4" X 10"	-	50
464-120	3/4" X 12"	5	50
465-001	1" X CLOSE	5	25
465-020	1" X 2"	5	25
465-025	1" X 2-1/2"	5	25
465-030	1" X 3"	5	25
465-035	1" X 3-1/2"	5	25
465-040	1" X 4"	5	25
465-045	1" X 4-1/2"	5	25
465-050	1" X 5"	25	50
465-055	1" X 5-1/2"	25	50
465-060	1" X 6"	25	50
465-060HC	1" X 6"	-	10
465-080	1" X 8"	5	10
465-100	1" X 10"	5	10
465-120	1" X 12"	5	10
466-001	1-1/4" X CLOSE	5	10
466-020	1-1/4" X 2"	5	10
466-025	1-1/4" X 2-1/2"	5	10
466-030	1-1/4" X 3"	5	10
466-035	1-1/4" X 3-1/2"	5	10

RED BRASS FITTINGS



NIPPLE

Item No.	Product Description	Inner Quantity	Master Carton Quantity
466-040	1-1/4" X 4"	5	10
466-045	1-1/4" X 4-1/2"	5	10
466-050	1-1/4" X 5"	5	10
466-055	1-1/4" X 5-1/2"	5	10
466-060	1-1/4" X 6"	5	10
467-001	1-1/2" X CLOSE	5	10
467-020	1-1/2" X 2"	5	10
467-025	1-1/2" X 2-1/2"	5	10
467-030	1-1/2" X 3"	5	10
467-035	1-1/2" X 3-1/2"	5	10
467-040	1-1/2" X 4"	5	10
467-045	1-1/2" X 4-1/2"	5	10
467-050	1-1/2" X 5"	5	10
467-055	1-1/2" X 5-1/2"	5	10
467-060	1-1/2" X 6"	5	10
468-001	2" X CLOSE	5	10
468-025	2" X 2-1/2"	5	10
468-030	2" X 3"	5	10
468-035	2" X 3-1/2"	10	20
468-040	2" X 4"	10	20
468-045	2" X 4-1/2"	10	20
468-050	2" X 5"	10	20
468-055	2" X 5-1/2"	10	20
468-060	2" X 6"	10	20



STRUCTURAL FITTINGS

New fittings and Schedule 30 plain end pipe that should be used for a number of DIY projects such as racking, tables, railings, display fixtures along with countless others. A full assortment of fittings will be available and can be used with our NON-Threaded pipe.

These fittings are great for home, business and industrial projects! These fittings are perfect for the craft person who likes to move or the business owner looking to protect their employees. There is no limit on what can be made with these fittings and pipe.

Not for plumbing application or for scaffolding uses!



TEE • GALVANIZED • SINGLE SOCKET TEE

Item No.	Product Description	Inner Quantity	Master Carton Quantity
670-104HC	3/4 SINGLE SOCKET TEE	-	10
670-106HC	1-1/4 SINGLE SOCKET TEE	-	8



TEE • GALVANIZED • THREE SOCKET TEE

Item No.	Product Description	Inner Quantity	Master Carton Quantity
670-404HC	3/4 THREE SOCKET TEE	-	10
670-406HC	1-1/4 THREE SOCKET TEE	-	8



TEE • GALVANIZED • SIDE OUTLET TEE

Item No.	Product Description	Inner Quantity	Master Carton Quantity
671-604HC	3/4 90 SIDE OUTLET TEE	-	10
671-606HC	1-1/4 90 SIDE OUTLET TEE	-	8



TEE • GALVANIZED • 0°-45° THREE SOCKET TEE

Item No.	Product Description	Inner Quantity	Master Carton Quantity
672-706HC	1-1/4 0-45 DEG 3-SOC TEE	-	8



TEE • GALVANIZED • ADJUSTABLE TEE 30°-45°

Item No.	Product Description	Inner Quantity	Master Carton Quantity
672-906HC	1-1/4 SINGLE SOCKET TEE	-	8



TEE • GALVANIZED • INTERNAL SWIVEL TEE

Item No.	Product Description	Inner Quantity	Master Carton Quantity
674-706HC	1-1/4 INTERNAL SWIVEL TEE	-	8

STRUCTURAL FITTINGS



TEE • GALVANIZED • SHORT TEE, 0°-11°

Item No.	Product Description	Inner Quantity	Master Carton Quantity
675-306HC	1-1/4 SHORT TEE 0-11 DEGREE	-	8



TEE • GALVANIZED • LONG TEE, 0°-11°

Item No.	Product Description	Inner Quantity	Master Carton Quantity
675-506HC	1-1/4 LONG TEE 0-11 DEGREE	-	4



ELBOW • GALVANIZED • OBTUSE ANGLE ELBOW

Item No.	Product Description	Inner Quantity	Master Carton Quantity
672-406HC	1-1/4 OBTUSE ANGLE ELBOW	-	8



ELBOW • GALVANIZED • 90 DEGREE ELBOW

Item No.	Product Description	Inner Quantity	Master Carton Quantity
672-504HC	3/4 90 ELBOW	-	10
672-506HC	1-1/4 90 ELBOW	-	8



ELBOW • GALVANIZED • SWIVEL ELBOW

Item No.	Product Description	Inner Quantity	Master Carton Quantity
672-536HC	1-1/4 SWIVEL ELBOW	-	8



ELBOW • GALVANIZED • SIDE OUTLET ELBOW

Item No.	Product Description	Inner Quantity	Master Carton Quantity
672-804HC	3/4 SIDE OUTLET ELBOW	-	10
672-806HC	1-1/4 SIDE OUTLET ELBOW	-	4



ELBOW • GALVANIZED • 0°-11°

Item No.	Product Description	Inner Quantity	Master Carton Quantity
675-406HC	1-1/4 ELBOW 0-11 DEGREE	-	8



COUPLING • GALVANIZED • STRUCTURAL STEEL

Item No.	Product Description	Inner Quantity	Master Carton Quantity
674-904HC	3/4 STRAIGHT COUPLING	-	10
674-906HC	1-1/4 STRAIGHT COUPLING	-	8



CROSS • GALVANIZED • TWO SOCKET CROSS

Item No.	Product Description	Inner Quantity	Master Carton Quantity
671-904HC	3/4 TWO SOCKET CROSS	-	10
671-906HC	1-1/4 TWO SOCKET CROSS	-	8



CROSS • GALVANIZED • ADJUSTABLE CROSS 30°-45°

Item No.	Product Description	Inner Quantity	Master Carton Quantity
673-006HC	1-1/4 ADJUSTABLE CROSS	-	2



CROSS • GALVANIZED • 0-11 DEGREE SOCKET CROSS

Item No.	Product Description	Inner Quantity	Master Carton Quantity
675-605HC	1-1/4 2-SOCKET CROSS 0-11 DEGREE	-	8



CROSS • GALVANIZED • FOUR SOCKET CROSS

Item No.	Product Description	Inner Quantity	Master Carton Quantity
675-804HC	3/4 FOUR SOCKET CROSS	-	8
675-806HC	1-1/4 FOUR SOCKET CROSS	-	5



CROSS • GALVANIZED • CROSS OVER

Item No.	Product Description	Inner Quantity	Master Carton Quantity
676-104HC	3/4 CROSS OVER	-	10
676-106HC	1-1/4 CROSS OVER	-	8



CROSS • GALVANIZED • THREE SOCKET CROSS

Item No.	Product Description	Inner Quantity	Master Carton Quantity
677-604HC	3/4 3-SOCKET CROSS	-	10
677-606HC	1-1/4 3-SOCKET CROSS	-	8

STRUCTURAL FITTINGS



COMBO SOCKET • GALVANIZED • COMBINATION SOCKET

Item No.	Product Description	Inner Quantity	Master Carton Quantity
676-504HC	3/4 COMBINATION SOCKET	-	10
676-506HC	1-1/4 COMBINATION SOCKET	-	4



FLANGE • GALVANIZED • FLANGE

Item No.	Product Description	Inner Quantity	Master Carton Quantity
673-104HC	3/4 FLANGE	-	10
673-106HC	1-1/4 FLANGE	-	8



FLANGE • GALVANIZED • STANDARD RAIL FLANGE

Item No.	Product Description	Inner Quantity	Master Carton Quantity
673-204HC	3/4 STANDARD RAIL FLANGE	-	10
673-206HC	1-1/4 STANDARD RAIL FLANGE	-	5



FLANGE • GALVANIZED • WALL FLANGE

Item No.	Product Description	Inner Quantity	Master Carton Quantity
674-606HC	1-1/4 WALL FLANGE	-	8



FLANGE • GALVANIZED • ANGLE FLANGE

Item No.	Product Description	Inner Quantity	Master Carton Quantity
675-206HC	1-1/4 ANGLE FLANGE	-	3



FLANGE • GALVANIZED • OFFSET FLANGE

Item No.	Product Description	Inner Quantity	Master Carton Quantity
679-904HC	3/4 OFFSET FLANGE	-	10
679-906HC	1-1/4 OFFSET FLANGE	-	8



GATE EYE • GALVANIZED • GATE EYES

Item No.	Product Description	Inner Quantity	Master Carton Quantity
673-804HC	3/4 GATE EYE	-	10
673-806HC	1-1/4 GATE EYE	-	8



GROUND SOCKET • GALVANIZED • GROUND SOCKET

Item No.	Product Description	Inner Quantity	Master Carton Quantity
673-406HC	1-1/4 GROUND SOCKET	-	2



HOOK • GALVANIZED • HOOKS

Item No.	Product Description	Inner Quantity	Master Carton Quantity
678-204HC	3/4 HOOK	-	10
678-206HC	1-1/4 HOOK	-	8



PIN FITTINGS • GALVANIZED • GATE PIN

Item No.	Product Description	Inner Quantity	Master Carton Quantity
674-004HC	3/4 PIN FITTINGS	-	10
674-006HC	1-1/4 PIN FITTINGS	-	8



PLUG • GALVANIZED • END PLUG

Item No.	Product Description	Inner Quantity	Master Carton Quantity
678-404HC	3/4 END PLUG	-	10
678-406HC	1-1/4 END PLUG	-	8



RAIL SUPPORT • GALVANIZED • RAIL SUPPORT

Item No.	Product Description	Inner Quantity	Master Carton Quantity
674-304HC	3/4 RAIL SUPPORT	-	10
674-306HC	1-1/4 RAIL SUPPORT	-	8



RAIL SUPPORT • GALVANIZED • RAIL SUPPORT VERTICAL

Item No.	Product Description	Inner Quantity	Master Carton Quantity
674-406HC	1-1/4 RAIL SIDE SUPPORT V	-	4



RAIL SUPPORT • GALVANIZED • RAIL SUPPORT HORIZONTAL

Item No.	Product Description	Inner Quantity	Master Carton Quantity
674-506HC	1-1/4 RAIL SIDE SUPPORT H	-	4

STRUCTURAL FITTINGS



SIDE OUTLET • GALVANIZED • ADJUSTABLE SIDE OUTLET

Item No.	Product Description	Inner Quantity	Master Carton Quantity
674-804HC	3/4 ADJUSTABLE SIDE OUTLET	-	10
674-806HC	1-1/4 ADJUSTABLE SIDE OUTLET	-	8



SWIVEL • GALVANIZED • DOUBLE SWIVEL SOCKET

Item No.	Product Description	Inner Quantity	Master Carton Quantity
676-704HC	3/4 DOUBLE SWIVEL SOCKET	-	10
676-706HC	1-1/4 DOUBLE SWIVEL SOCKET	-	4



SWIVEL • GALVANIZED • CORNER SWIVEL COMBO

Item No.	Product Description	Inner Quantity	Master Carton Quantity
676-804HC	3/4 90 CORNER SWIVEL COMBO	-	8
676-806HC	1-1/4 90 CORNER SWIVEL COMBO	-	4



SWIVEL • GALVANIZED • SWIVEL BASE

Item No.	Product Description	Inner Quantity	Master Carton Quantity
676-904HC	3/4 SWIVEL BASE	-	8
676-906HC	1-1/4 SWIVEL BASE	-	6



SWIVEL • GALVANIZED • SINGLE SWIVEL SOCKET

Item No.	Product Description	Inner Quantity	Master Carton Quantity
677-304HC	3/4 SINGLE SWIVEL SOCKET	-	10
677-306HC	1-1/4 SNGLE SWIVEL SOCKET	-	8



SWIVEL • GALVANIZED • DOUBLE TAB OFFSET FLANGE

Item No.	Product Description	Inner Quantity	Master Carton Quantity
679-804HC	3/4 DOUBLE M SWIVEL SOCKET	-	10
679-806HC	1-1/4 DOUBLE M SWIVEL SOCKET	-	8



STRUCTURAL PIPE

The Structural Pipe is made to work with our Structural Fittings. Both diameter pipes come in four lengths of 10", 24", 36" and 72" and can be cut down to fit whatever project you need.

These pipes do not need threading to work with Structural Fittings nor are they intended for plumbing or scaffolding uses.



GALVANIZED PRE-CUT PIPE • STRUCTURAL STEEL

Item No.	Product Description	Inner Quantity	Master Carton Quantity
564-240PE30HC	3/4 X 24 GALV PE SCH30	-	0
564-360PE30HC	3/4 X 36 GALV PE SCH30	-	0
564-720PE30HC	3/4 X 72 GALV PE SCH30	-	0
564-1200PE30HC	3/4 X 10' GALV PE SCH30	-	0
566-240PE30HC	1-1/4 X 24 GALV PE SCH30	-	0
566-360PE30HC	1-1/4 X 36 GALV PE SCH30	-	0
566-720PE30HC	1-1/4 X 72 GALV PE SCH30	-	0
566-1200PE30HC	1-1/4 X 10' GALV PE SCH30	-	0



BRASS FITTINGS & ACCESSORIES

Our Brass & Nylon Fittings is a new category that B&K has recently acquired. This program encompasses a variety of fittings for any plumbing project.

All of our products in this category come polybagged with part numbers clearly labeled on them. Along with easy identification, these bags allow for you to see the product you are looking at to verify this is the right piece for your project.



BUSHING - HEX • BRASS PIPE

Item No.	Product Description	Inner Quantity	Master Carton Quantity
BF-738NL	1/4MIPX1/8FIP BUSHING LF		30
BF-776NL	3/8MIPX1/8FIP BUSHING LF		20
BF-778NL	3/8MIPX1/4FIP BUSHING LF		30
BF-826NL	1/2MIPX1/8FIP BUSHING LF		20
BF-827NL	1/2MIPX1/4FIP BUSHING LF		20
BF-828NL	1/2MIPX3/8FIP BUSHING LF		60
BF-870NL	3/4MIPX1/2FIP BUSHING LF		10
BF-911NL	1MIP X 3/4FIP BUSHING LF		10



CAP • BRASS PIPE

Item No.	Product Description	Inner Quantity	Master Carton Quantity
BF-736NL	1/4 BRS PIPE CAP LF		60
BF-769NL	3/8 BRS PIPE CAP LF		20
BF-819NL	1/2 BRS PIPE CAP LF		20
BF-868NL	3/4 BRS PIPE CAP LF		10



COUPLING • BRASS PIPE

Item No.	Product Description	Inner Quantity	Master Carton Quantity
BF-706NL	1/8 FIP PIPE COUPLING LF		40
BF-732NL	1/4 FIP PIPE COUPLING LF		20
BF-760NL	3/8 FIP PIPE COUPLING LF		20
BF-810NL	1/2 FIP PIPE COUPLING LF		20
BF-862NL	3/4 FIP PIPE COUPLING LF		10



COUPLING REDUCING • BRASS PIPE

Item No.	Product Description	Inner Quantity	Master Carton Quantity
BF-734NL	1/4FIP X 1/8FIP RED COUP		20
BF-765NL	3/8FIP X 1/4FIP RED COUP		20
BF-813NL	1/2FIP X 1/4FIP RED COUP		10
BF-815NL	1/2FIP X 3/8FIP RED COUP		10
BF-865NL	3/4FIP X 1/2FIP RED COUP		10
BF-905NL	1FIP X 3/4FIP RED COUP		10

BRASS FITTINGS & ACCESSORIES



ELBOW • BRASS PIPE

Item No.	Product Description	Inner Quantity	Master Carton Quantity
BF-700NL	1/8 BRS EL FPTXFPT LF		20
BF-727NL	1/4 BRS EL FPTXFPT LF		10
BF-755NL	3/8 BRS EL FPTXFPT LF		10
BF-805NL	1/2 BRS EL FPTXFPT LF		10
BF-855NL	3/4 BRS EL FPTXFPT LF		10



NIPPLE • BRASS PIPE

Item No.	Product Description	Inner Quantity	Master Carton Quantity
BN-716NL	1/8X1-1/2 BRS NIPPLE LF		30
BN-717NL	1/8 X 2 BRS NIPPLE LF		20
BN-721NL	1/8 X 4 BRS NIPPLE LF		10
BN-741NL	1/4 X 1 1/2 BRS NIPPLE LF		20
BN-742NL	1/4 X 2 BRS NIPPLE LF		20
BN-743NL	1/4 X 2 1/2 BRS NIPPLE LF		10
BN-746NL	1/4 X 4 BRS NIPPLE LF		10
BN-750NL	1/4 X 6 BRS NIPPLE LF		10
BN-786NL	3/8 X 1-1/2 NIPPLE LF		20
BN-787NL	3/8 X 2 NIPPLE LF		10
BN-788NL	3/8 X 2-1/2 NIPPLE LF		10
BN-836NL	1/2X1-1/2 BRS NIPPLE LF		20
BN-838NL	1/2X2-1/2 BRS NIPPLE LF		10
BN-883NL	3/4 X 4 BRS NIPPLE LF		10
BN-837NL	1/2 X 2 BRS NIPPLE LF		10
BN-841NL	1/2 X 4 BRS NIPPLE LF		10
BN-845NL	1/2 X 6 BRS NIPPLE LF		10
BN-878NL	3/4X1-1/2 BRS NIPPLE LF		10
BN-879NL	3/4 X 2 BRS NIPPLE LF		10
BN-919NL	1 X 3 BRS NIPPLE LF		10
BN-715NL	1/8 X CL BRS NIPPLE LF		60
BN-740NL	1/4 X CL BRS NIPPLE LF		60
BN-785NL	3/8 X CL BRS NIPPLE LF		20
BN-835NL	1/2 X CL BRS NIPPLE LF		20
BN-877NL	3/4 X CL BRS NIPPLE LF		10
BN-915NL	1 X CL BRS NIPPLE LF		10



NIPPLE HEX • BRASS PIPE

Item No.	Product Description	Inner Quantity	Master Carton Quantity
BN-729NL	1/4 BRS HEX NIPPLE LF		20
BN-783NL	3/8 BRS HEX NIPPLE LF		20
BN-833NL	1/2 BRS HEX NIPPLE LF		10
BN-875NL	3/4 BRS HEX NIPPLE LF		10



PLUG - SQUARE HEAD • BRASS PIPE

Item No.	Product Description	Inner Quantity	Master Carton Quantity
BF-710NL	1/8 BRS PIPE PLUG LF		60
BF-737NL	1/4 BRS PIPE PLUG LF		30
BF-823NL	1/2 BRS PIPE PLUG LF		20
BF-773NL	3/8 BRS PIPE PLUG LF		60
BF-869NL	3/4 BRS PIPE PLUG LF		10



STREET ELBOW • BRASS PIPE

Item No.	Product Description	Inner Quantity	Master Carton Quantity
BF-712NL	1/8 MIPXFIP STREET ELBOW		20
BF-739NL	1/4 MIPXFIP STREET ELBOW		20
BF-782NL	3/8 MIPXFIP STREET ELBOW		10
BF-832NL	1/2 MIPXFIP STREET ELBOW		10
BF-876NL	3/4 MIPXFIP STREET ELBOW		10



TEE • BRASS PIPE

Item No.	Product Description	Inner Quantity	Master Carton Quantity
BF-704NL	1/8 FIP BRS PIPE TEE LF		20
BF-730NL	1/4 FIP BRS PIPE TEE LF		10
BF-758NL	3/8 FIP BRS PIPE TEE LF		10
BF-808NL	1/2 FIP BRS PIPE TEE LF		10
BF-858NL	3/4 FIP BRS PIPE TEE LF		10

SEATING DRAIN COCK • BRASS PIPE

Item No.	Product Description	Inner Quantity	Master Carton Quantity
BF-2091NL	1/8 MPT DRAIN VALVE		20
BF-2090NL	1/4 MPT DRAIN VALVE		20



NO LEAD CHROME • BRASS PIPE

Item No.	Product Description	Inner Quantity	Master Carton Quantity
108-905LW	VACUUM BRAKR FN THRD 3/4		10

BRASS FITTINGS & ACCESSORIES



DU FEMALE • BRASS PIPE

Item No.	Product Description	Inner Quantity	Master Carton Quantity
168-003WW	UNION DIELRC FIP X C 1/2		10
168-004WW	UNION DIELRC FIP X C 3/4		10



DU MALE • BRASS PIPE

Item No.	Product Description	Inner Quantity	Master Carton Quantity
167-004WW	UNION DIELRC MIP X C 3/4		10



GASKET ADAPTER NO INSERT • COMPRESSION

Item No.	Product Description	Inner Quantity	Master Carton Quantity
CP-155NL	3/8FLX3/8C ADPT NO INSRT		10



ADAPTER • COMPRESSION

Item No.	Product Description	Inner Quantity	Master Carton Quantity
CP-157NL	3/8CX1/4C ADPTR NO INSRT		20
CP-230NL	1/2CX3/8C ADPTR NO INSRT		20



DISHWASHER ADAPTER • COMPRESSION

Item No.	Product Description	Inner Quantity	Master Carton Quantity
CP-158NL	DISHWSHR ADPTR 3/4 X 3/8		60



CAP • COMPRESSION

Item No.	Product Description	Inner Quantity	Master Carton Quantity
CP-5NL	1/4 COMP CAP LF		20
CP-205NL	1/2 COMP CAP LF		20
CP-105NL	3/8 COMP CAP LF		20
CP-305NL	5/8 COMP CAP LF		20



CONNECTOR • COMPRESSION

Item No.	Product Description	Inner Quantity	Master Carton Quantity
CP-21ANL	1/8C X 1/8MIP CONN LF		20
CP-21BNL	3/16C X 1/8MIP CONN LF		20
CP-22NL	1/4C X 1/8MIP CONN LF		10
CP-23NL	1/4C X 1/4MIP CONN LF		20
CP-24NL	1/4C X 3/8MIP CONN LF		20
CP-92DNL	5/16C X 1/4MIP CONN LF		20
CP-124NL	3/8C X 1/2MIP CONN LF		20
CP-25NL	1/4C X 1/2MIP CONN LF		10
CP-121NL	3/8C X 1/8MIP CONN LF		20
CP-122NL	3/8C X 1/4MIP CONN LF		10
CP-123NL	3/8C X 3/8MIP CONN LF		10
CP-220NL	1/2C X 3/8MIP CONN LF		20
CP-221NL	1/2C X 1/2MIP CONN LF		20
CP-324NL	5/8C X 1/2MIP CONN LF		60
CP-524NL	7/8C X 3/4MIP CONN LF		10



COUPLING • COMPRESSION

Item No.	Product Description	Inner Quantity	Master Carton Quantity
CP-15NL	1/4C X 1/8FIP COUPLING		20
CP-16NL	1/4C X 1/4FIP COUPLING		20
CP-18NL	1/4C X 3/8FIP COUPLING		20
CP-19NL	1/4C X 1/2FIP COUPLING		20
CP-92CNL	5/16C X 1/4FIP COUPLING		20
CP-116NL	3/8C X 1/4FIP COUPLING		10
CP-117NL	3/8C X 3/8FIP COUPLING		10
CP-118NL	3/8C X 1/2FIP COUPLING		60
CP-218NL	1/2C X 1/2FIP COUPLING		60
CP-319NL	5/8C X 1/2FIP COUPLING		10



ELBOW • COMPRESSION

Item No.	Product Description	Inner Quantity	Master Carton Quantity
CP-29NL	1/4C X 1/8MIP ELBOW LF		10
CP-30NL	1/4C X 1/4MIP ELBOW LF		10
CP-128NL	3/8C X 1/4MIP ELBOW LF		20
CP-129NL	3/8C X 3/8MIP ELBOW LF		60
CP-130NL	3/8C X 1/2MIP ELBOW LF		10
CP-14NL	1/4 COMP ELBOW LF		10
CP-115NL	3/8 COMP ELBOW LF		20

BRASS FITTINGS & ACCESSORIES



NUT • COMPRESSION

Item No.	Product Description	Inner Quantity	Master Carton Quantity
CP-2ANL	1/8 COMP NUT - 3PK		20
CP-3NL	1/4 COMP NUT - 3PK		20
CP-91NL	5/16 COMP NUT - 3PK		20
CP-103NL	3/8 COMP NUT - 3PK		60
CP-203NL	1/2 COMP NUT - 3PK		60
CP-303NL	5/8 COMP NUT - 3PK		60



SLEEVE • COMPRESSION

Item No.	Product Description	Inner Quantity	Master Carton Quantity
CP-2NL	1/4OD BRS COMP SLV - 3PK		60
CP-102NL	3/8OD BRS COMP SLV - 3PK		60
CP-90NL	5/16OD BRS COMP SLV -3PK		20
CP-202NL	1/2OD BRS COMP SLV - 3PK		60
CP-302NL	5/8OD BRS COMP SLV - 3PK		60
CP-402ANL	3/4OD BRS COMP SLV - 3PK		20
CP-1NL	1/4 DELRIN SLEEVES - 3PK		60
CP-101NL	3/8 DELRIN SLEEVES - 3PK		60

INSERT • COMPRESSION

Item No.	Product Description	Inner Quantity	Master Carton Quantity
CP-152NL	1/4 COMP INSERT - 3PK		20



NUT AND INSERT • COMPRESSION

Item No.	Product Description	Inner Quantity	Master Carton Quantity
CP-4NL	1/4 BRS NUT WITH INSERT		10
CP-104NL	3/8 BRS NUT WITH INSERT		10
CP-108NL	3/8 CH SLEEVE/NUT - 2PK		20
CP-92NL	5/16 BRS NUT WITH INSERT		20
CP-204NL	1/2 BRS NUT WITH INSERT		20



SLEEVE AND INSERT • COMPRESSION

Item No.	Product Description	Inner Quantity	Master Carton Quantity
CP-165SCNL	5/16 DELRN SLV/INSRT 2PK		20
CP-8NL	1/4 DELRIN SLV/INSRT 2PK		60
CP-107NL	3/8 DELRIN SLV/INSRT 2PK		10
CP-173SCNL	1/2 DELRIN SLV/INSRT 2PK		20



TEE • COMPRESSION

Item No.	Product Description	Inner Quantity	Master Carton Quantity
CP-12NL	1/4 COMP TEE LF		20
CP-114NL	3/8 COMP TEE LF		20



TEE - REDUCING • COMPRESSION

Item No.	Product Description	Inner Quantity	Master Carton Quantity
CP-113NL	3/8X3/8X1/4 REDCOMP TELF		20



UNION • COMPRESSION

Item No.	Product Description	Inner Quantity	Master Carton Quantity
CP-9ANL	1/8OD BRS COMP UNION LF		20
CP-10NL	1/4OD BRS COMP UNION LF		10
CP-110NL	3/8OD BRS COMP UNION LF		10
CP-92ANL	5/16OD BRS COMP UNION LF		10
CP-210NL	1/2OD BRS COMP UNION LF		10
CP-310NL	5/8OD BRS COMP UNION LF		20
CP-109NL	3/8C X 1/4C RED UNION LF		10
CP-92BNL	5/16C X 1/4C RED UNION LF		10
CP-209NL	1/2C X 3/8C RED UNION LF		10
CP-309NL	5/8C X 3/8C RED UNION LF		20



UNION - NO INSERTS • COMPRESSION

Item No.	Product Description	Inner Quantity	Master Carton Quantity
CP-318NL	5/8CX3/8C RD UN NO INSRT		10



FLR ADAPTER FINE THREAD • COMPRESSION

Item No.	Product Description	Inner Quantity	Master Carton Quantity
CP-154NL	1/4CX3/8FL FIN THRD ADPT		10
CP-156NL	3/8CX3/8FL FIN THRD ADPT		60



SADDLE VALVE • COMPRESSION

Item No.	Product Description	Inner Quantity	Master Carton Quantity
CP-50NL	1/4 SLFTAP SADDLE VLV LF		10
CP-141NL	3/8 SLFTAP SADDLE VLV LF		10

BRASS FITTINGS & ACCESSORIES



ANGLE NEEDLE VALVE • COMPRESSION

Item No.	Product Description	Inner Quantity	Master Carton Quantity
CP-41NL	1/4X1/8 COMPMIP NDLE LF		60



STRAIGHT NEEDLE VALVE • COMPRESSION

Item No.	Product Description	Inner Quantity	Master Carton Quantity
CP-42NL	1/4 COMPCOMP NEEDLE LF		60
CP-140NL	3/8 COMPCOMP NEEDLE LF		20



ADAPTER TEE • COMPRESSION

Item No.	Product Description	Inner Quantity	Master Carton Quantity
AV-664NL	3/8X3/8X1/4 ADAPTER TEE		10
AV-666NL	3/8X3/8X3/8 ADAPTER TEE		10



CAP • FLARE

Item No.	Product Description	Inner Quantity	Master Carton Quantity
FL-63	1/4 FLARE CAP		60
FL-163	3/8 FLARE CAP		20
FL-263	1/2 FLARE CAP		20
FL-342	5/8 FLARE CAP		10



COUPLING • FLARE

Item No.	Product Description	Inner Quantity	Master Carton Quantity
FL-73	1/4FLX1/8FIP FL COUPLING		20
FL-75	1/4FLX1/4FIP FL COUPLING		20
FL-76	1/4FLX3/8FIP FL COUPLING		20
FL-76SF	5/16FLX1/4FIP FL COUPLNG		20
FL-175	3/8FLX1/4FIP FL COUPLING		20
FL-176	3/8FLX3/8FIP FL COUPLING		20
FL-177	3/8FLX1/2FIP FL COUPLING		20
FL-274	1/2FLX3/8FIP FL COUPLING		10
FL-273	1/2FLX1/2FIP FL COUPLING		10
FL-360	5/8FLX1/2FIP FL COUPLING		20



ELBOW • FLARE

Item No.	Product Description	Inner Quantity	Master Carton Quantity
FL-169	3/8 FLARE ELBOW FITTING		10
FL-272	1/2 FLARE ELBOW FITTING		10
FL-81A	1/4FL X 1/8MIP FLR ELBOW		20
FL-186	3/8FL X 3/8MIP FLR ELBOW		10
FL-186B	3/8FL X 1/2MIP FLR ELBOW		20
FL-280	1/2FL X 3/8MIP FLR ELBOW		10
FL-281	1/2FL X 1/2MIP FLR ELBOW		10
FL-168B	3/8FL X 3/8FIP FLR ELBOW		20
FL-462SF	1/2FL X 3/8FIP FLR ELBOW		20
FL-279	1/2FL X 1/2FIP FLR ELBOW		20



GASKET ADAPTER NO INSERT • FLARE

Item No.	Product Description	Inner Quantity	Master Carton Quantity
FL-55	1/4FLX1/4C ADPT NO INSR		60

FLR ADAPTER FINE THREAD • FLARE

Item No.	Product Description	Inner Quantity	Master Carton Quantity
FL-134	1/2CX3/8FL FIN THRD ADPT		20



FLARE ADAPTER SWIVEL • FLARE

Item No.	Product Description	Inner Quantity	Master Carton Quantity
FL-64	1/4FL X 1/4FL SWVL ADPTR		20
FL-164	3/8FL X 3/8FL SWVL ADPTR		10
FL-283	1/2FL X 1/2FL SWVL ADPTR		20



NUT • FLARE

Item No.	Product Description	Inner Quantity	Master Carton Quantity
FL-60	1/4 SHORT ROD FLARE NUT		60
FL-80SF	5/16 SHORT ROD FLARE NUT		20
FL-160	3/8 SHORT ROD FLARE NUT		20
FL-260	1/2 SHORT ROD FLARE NUT		20
FL-335	5/8 SHORT ROD FLARE NUT		10
FL-162	3/8 SHORT FORGED FLR NUT		20
FL-262	1/2 SHORT FORGED FLR NUT		20
FL-338	5/8 SHORT FORGED FLR NUT		10

BRASS FITTINGS & ACCESSORIES



NUT FINE THREAD • FLARE

Item No.	Product Description	Inner Quantity	Master Carton Quantity
FL-161	3/8 FINE THRD FLARE NUT		60



PLUG • FLARE

Item No.	Product Description	Inner Quantity	Master Carton Quantity
FL-59	1/4 FLARE PLUG		20
FL-159	3/8 FLARE PLUG		20
FL-259	1/2 FLARE PLUG		10

RED UNION • FLARE

Item No.	Product Description	Inner Quantity	Master Carton Quantity
FL-165B	3/8FL X 1/4FL RED UNION		20
FL-268	1/2FL X 3/8FL RED UNION		20



TEE • FLARE

Item No.	Product Description	Inner Quantity	Master Carton Quantity
FL-68	1/4 FLARE TEE		20
FL-168	3/8 FLARE TEE		10
FL-271	1/2 FLARE TEE		10



UNION • FLARE

Item No.	Product Description	Inner Quantity	Master Carton Quantity
FL-65	1/4 FLARE UNION		20
FL-165	3/8 FLARE UNION		10
FL-268SF	5/16 FLARE UNION		20
FL-269	1/2 FLARE UNION		10



UNION HALF • FLARE

Item No.	Product Description	Inner Quantity	Master Carton Quantity
FL-80	1/4FLX1/4MIP HALF UNION		20
FL-79	1/4FLX1/8MIP HALF UNION		20
FL-80F	3/8FLX1/8MIP HALF UNION		20
FL-182	3/8FLX1/4MIP HALF UNION		20
FL-183	3/8FLX3/8MIP HALF UNION		20
FL-184	3/8FLX1/2MIP HALF UNION		10



UNION HALF FINE THREAD • FLARE

Item No.	Product Description	Inner Quantity	Master Carton Quantity
FL-181	3/8FL1/2MIP FNTHRD UNION		20



UNION HALF • FLARE

Item No.	Product Description	Inner Quantity	Master Carton Quantity
FL-80D	5/16FLX1/8MIP HALF UNION		20
FL-80E	5/16FLX1/4MIP HALF UNION		20
FL-276	1/2FLX3/8MIP HALF UNION		10
FL-277	1/2FLX1/2MIP HALF UNION		10
FL-370	5/8FLX1/2MIP HALF UNION		10
FL-371	5/8FLX3/4MIP HALF UNION		10



SHUTOFF VALVE • FLARE

Item No.	Product Description	Inner Quantity	Master Carton Quantity
FL-189	3/8FLX1/2FIP SHUTOFF VLV		10



BARBED ADAPTER • GARDEN

Item No.	Product Description	Inner Quantity	Master Carton Quantity
GH-492	5/8FHTX3/4BARB GH ADPTR		10
GH-683	3/4FHTX3/8BARB SWIV ADPT		10
GH-684	3/4FHTX1/2BARB SWIV ADPT		10
GH-593	3/4FHTX3/4BARB GH ADPTR		10
GH-491	5/8BARB X 3/4MHT ADAPTER		10
GH-685	3/4FHTX3/4BARB GH ADPTR		20

BRASS FITTINGS & ACCESSORIES



HOSE SWIVEL ADAPTER • GARDEN

Item No.	Product Description	Inner Quantity	Master Carton Quantity
GH-696	3/4FHTX1/4C HOSE SWVL AD		10



LEAD FREE BRASS • GARDEN

Item No.	Product Description	Inner Quantity	Master Carton Quantity
GH-660	3/4FHTX1/2FIP SWIV ADPTR		10
GH-661	3/4FHTX3/4FIP SWIV ADPTR		10
GH-662	3/4FHTX3/4FHT SWIV ADPTR		10



THREADED HOSE ADAPTER • GARDEN

Item No.	Product Description	Inner Quantity	Master Carton Quantity
GH-663	3/4MHTX1/2MIP HOSE ADPTR		10
GH-665	3/4MHTXMIP TAPD 1/2 ADPT		10
GH-668	3/4MHTX1/2FIP HOSE ADPTR		10
GH-669	3/4MHTX3/4FIP HOSE ADPTR		10
GH-672	3/4FHTX1/2FIP HOSE ADPTR		10
GH-673	3/4FHTX3/4FIP HOSE ADPTR		10
GH-677	3/4FHTX1/2MIP HOSE ADPTR		10
GH-679	3/4FHTXMIP TAPD 1/2 ADPT		10
GH-680	3/4MHTX3/4MHT HOSE ADPTR		10



HOSE WYE CONNECTOR • GARDEN

Item No.	Product Description	Inner Quantity	Master Carton Quantity
GH-695	3/4 BRS HOSE WYE		10



BARBED ADAPTER • BRASS HOSE BARB

Item No.	Product Description	Inner Quantity	Master Carton Quantity
BHB-85NL	1/8 X 1/4 BARB X MIP LF		20
BHB-96NL	3/16 X 1/4 BARB X MIP LF		20
BHB-192BNL	1/4 X 1/8 BARB X MIP LF		20
BHB-192NL	1/4 X 1/4 BARB X MIP LF		20
BHB-193NL	1/4 X 3/8 BARB X MIP LF		20
BHB-193CNL	1/4 X 1/2 BARB X MIP LF		20
BHB-201BNL	5/16 X 1/4 BARB X MIP LF		20
BHB-201NL	5/16 X 1/4 BARB X MIP LF		20
BHB-293NL	3/8 X 1/4 BARB X MIP LF		20
BHB-294NL	3/8 X 3/8 BARB X MIP LF		20
BHB-300ANL	3/8 X 1/2 BARB X MIP LF		20
BHB-385NL	1/2 X 1/2 BARB X MIP LF		20
BHB-385SHNL	1/2 X 3/4 BARB X MIP LF		20
BHB-493NL	5/8 X 1/2 BARB X MIP LF		10



BARBED ADAPTER • BRASS HOSE BARB

Item No.	Product Description	Inner Quantity	Master Carton Quantity
BHB-495NL	5/8 X 3/4 BARB X MIP LF		10
BHB-197ANL	1/4 X 1/8 BARB X FIP LF		20
BHB-197NL	1/4 X 1/4 BARB X FIP LF		60
BHB-298NL	3/8 X 3/8 BARB X FIP LF		20
BHB-298CNL	3/8 X 1/2 BARB X FIP LF		20
BHB-390NL	1/2 X 1/2 BARB X FIP LF		10
BHB-396NL	1/2 BARB X 3/4 MHT ADAPTER		10



BRASS HOSE SPLICER • BRASS HOSE BARB

Item No.	Product Description	Inner Quantity	Master Carton Quantity
BHB-95NL	3/16 ID BARB SPLICER LF		60
BHB-190NL	1/4 ID BARB SPLICER LF		60
BHB-201ANL	5/16 ID BARB SPICER LF		60
BHB-290NL	3/8 ID BARB SPLICER LF		30
BHB-380NL	1/2 ID BARB SPLICER LF		20
BHB-490NL	5/8 ID BARB SPLICER LF		20



NYLON BARBED ELBOW • NYLON BARB

Item No.	Product Description	Inner Quantity	Master Carton Quantity
NHB-199	1/4 NYLON BARBED ELBOW		60
NHB-394	1/2 NYLON BARBED ELBOW		40
NHB-295	3/8 BARBX1/4 MIP NYLON ELB		60
NHB-296	3/8 BARBX1/2 MIP NYLON ELB		40
NHB-395	1/2 BARBX3/4 MIP NYLON ELB		30



NYLON BARBED FITTING • NYLON BARB

Item No.	Product Description	Inner Quantity	Master Carton Quantity
NHB-193	1/4X1/2 NYLON BARB X MIP		40
NHB-300	3/8X1/2 NYLON BARB X MIP		40
NHB-387	1/2X1/2 NYLON BARB X MIP		40
NHB-590	3/4X3/4 NYLON BARB X MIP		30
NHB-635	1 1/4X1 NYLON BARB X MIP		20
NHB-645	1 1/2X1 1/2 NYL BARBXMIP		10
NHB-591	3/4X3/4 NYLON BARB X MHT		40



NYLON HOSE ADAPTER • NYLON BARB

Item No.	Product Description	Inner Quantity	Master Carton Quantity
NHB-486	5/8X3/4 NYLON FHT X BARB		20

BRASS FITTINGS & ACCESSORIES



CPVC HOSE SPLICER • HOSE BARB

Item No.	Product Description	Inner Quantity	Master Carton Quantity
BHB-195	1/4X1/4 CPVC HOSE SPLICER		60
BHB-382	1/2X1/2 CPVC HOSE SPLICER		60



NYLON SPLICER • NYLON BARB

Item No.	Product Description	Inner Quantity	Master Carton Quantity
NHB-480	5/8 NYLON BARBED SPLICER		40
NHB-585	3/4 NYLON BARBED SPLICER		30
NHB-620	1 NYLON BARBED SPLICER		20
NHB-640	1 1/2 NYL BARBED SPICER		10



NYLON TEE • NYLON BARB

Item No.	Product Description	Inner Quantity	Master Carton Quantity
NHB-191	1/4 NYLON BARBED TEE		60
NHB-291	3/8 NYLON BARBED TEE		60
NHB-381	1/2 NYLON BARBED TEE		40
NHB-630	3/4 NYLON BARBED TEE		10



THREADED UNION FITTING • NYLON BARB

Item No.	Product Description	Inner Quantity	Master Carton Quantity
NHB-187A	1/2 THRD UNION FITTING		10
NHB-187B	3/4 THRD UNION FITTING		10



NON-METALLIC TUBING

Our Non-Metallic Tubing category is a new addition to our list of products. This category provides a variety of tubing in a few packaging styles. So whether you need tubing for a one-time project or for ongoing needs, we have the product you need to set up in your store or to use directly.

The products in this catalog vary in their uses and dimensions. From large tubing needed for big jobs to small tubing for more intricate projects, our offering should cover whatever scale project you are creating.



CLEAR VINYL TUBING • REEL

Item No.	Product Description	Inner Quantity	Master Carton Quantity
CP316018400R	3/16" OD X 1/8" ID X 400'	-	4
CP014017150R	1/4" OD X 0.17" ID X 150'	-	1
CP014017400R	1/4" OD X 0.17" ID X 400'	-	4
CP516316300R	5/16" OD X 3/16" ID X 300'	-	4
CP038014100R	3/8" OD X 1/4" ID X 100'	-	1
CP038014250R	3/8" OD X 1/4" ID X 250'	-	4
CP716516100R	7/16" OD X 5/16" X 100'	-	1
CP716516200R	7/16" OD X 5/16" X 200'	-	4
CP012516150R	1/2" OD X 5/16" X 150'	-	4
CP012038100R	1/2" OD X 3/8" ID X 100'	-	1
CP916038100R	9/16" OD X 3/8" ID X 100'	-	4
CP058012100R	5/8" OD X 1/2" ID X 100'	-	1
CP034012075R	3/4" OD X 1/2" ID X 75'	-	4
CP034058050R	3/4" OD X 5/8" ID X 50'	-	1
CP034058100R	3/4" OD X 5/8" ID X 100'	-	4
CP078058100R	7/8" OD X 5/8" ID X 100'	-	4
CP001034050R	1" OD X 3/4" ID X 50'	-	1
CP001034075R	1" OD X 3/4" ID X 75'	-	1
CP114001050R	1-1/4" OD X 1" ID X 50'	-	1
CP114001100R	1-1/4" OD X 1" ID X 100'	-	1
CP158114025R	1-5/8" OD X 1-1/4" ID X 25'	-	1
CP158114050R	1-5/8" OD X 1-1/4" ID X 50'	-	1
CP178112050R	1-7/8" OD X 1-1/2" ID X 50'	-	1



BRAIDED VINYL TUBING • REEL

Item No.	Product Description	Inner Quantity	Master Carton Quantity
BR012014100R	1/2" OD X 1/4" ID X 100'	-	4
BR012014250R	1/2" OD X 1/4" ID X 250'	-	4
BR058038100R	5/8" OD X 3/8" ID X 100'	-	1
BR058038150R	5/8" OD X 3/8" ID X 150'	-	4
BR034012050R	3/4" OD X 1/2" ID X 50'	-	1
BR034012100R	3/4" OD X 1/2" ID X 100'	-	4
BR078058050R	7/8" OD X 5/8" ID X 50'	-	1
BR078058075R	7/8" OD X 5/8" ID X 75'	-	4
BR001034050R	1" OD X 3/4" ID X 50'	-	1
BR001034075R	1" OD X 3/4" ID X 75'	-	1
BRI38001025R	1-3/8" OD X 1" ID X 25'	-	1
BRI38001050R	1-3/8" OD X 1" ID X 50'	-	1
BR134114050R	1-3/4" OD X 1-1/4" ID X 50'	-	1
BR002112025R	2" OD X 1-1/2" ID X 25'	-	1
BR002112050R	2" OD X 1-1/2" ID X 50'	-	1
BR212002025R	2-1/2" OD X 2" ID X 25'	-	1



BLACK VINYL TUBING • REEL

Item No.	Product Description	Inner Quantity	Master Carton Quantity
BV012038100R	1/2" OD X 3/8" ID X 100'	-	4
BV058012100R	5/8" OD X 1/2" ID X 100'	-	4
BV001034100R	1" OD X 3/4" ID X 100'	-	1

NON-METALLIC TUBING



POLY TUBING • REEL

Item No.	Product Description	Inner Quantity	Master Carton Quantity
PE014017150R	1/4" OD X 0.17" ID X 150'	-	4
PE014017400R	1/4" OD X 0.17" ID X 400'	-	4
PE516316300R	5/16" OD X 3/16" ID X 300'	-	1
PE038014100R	3/8" OD X 1/4" ID X 100'	-	4
PE038014300R	3/8" OD X 1/4" ID X 300'	-	1
PE012038100R	1/2" OD X 3/8" ID X 100'	-	4
PE012038200R	1/2" OD X 3/8" ID X 200'	-	4
PE058012100R	5/8" OD X 1/2" ID X 100'	-	4



FUEL HOSE • REEL

Item No.	Product Description	Inner Quantity	Master Carton Quantity
FH316332100R	3/16" OD X 3/32" ID X 100'	-	4
FH014764100R	1/4" OD X 7/64" ID X 100'	-	4
FH014018100R	1/4" OD X 1/8" ID X 100'	-	4
FH012014100R	1/2" OD X 1/4" ID X 100'	-	1
FH058516100R	5/8" OD X 5/16" ID X 100'	-	1
FH058038050R	5/8" OD X 3/8" ID X 50'	-	1



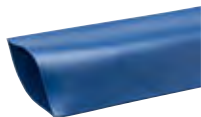
AIR HOSE • REEL

Item No.	Product Description	Inner Quantity	Master Carton Quantity
AH012014050R	1/2" OD X 1/4" ID X 50'	-	4
AH058038150R	5/8" OD X 3/8" ID X 150'	-	4



HEATER HOSE • REEL

Item No.	Product Description	Inner Quantity	Master Carton Quantity
HH078058100R	7/8" OD X 5/8" ID X 100'	-	1
HH001034075R	1" OD X 3/4" ID X 75'	-	1



DISCHARGE HOSE • REEL

Item No.	Product Description	Inner Quantity	Master Carton Quantity
DH000112100R	1-1/2" OD X 1-1/2" ID X 100'	-	1
DH000112150R	1-1/2" OD X 1-1/2" ID X 150'	-	4
DH000002100R	2" OD X 2" ID X 100'	-	1
DH000002150R	2" OD X 2" ID X 150'	-	4



DISPOSAL HOSE • REEL

Item No.	Product Description	Inner Quantity	Master Carton Quantity
DW001058050R	1" OD X 5/8" ID X 50'	-	4
DW114078025R	1-1/4" OD X 7/8" ID X 25'	-	1



BILGE HOSE • REEL

Item No.	Product Description	Inner Quantity	Master Carton Quantity
BPO01034050R	1" OD X 3/4" ID X 50'	-	1
BP158118050R	1-5/8" OD X 1-1/8" ID X 50'	-	1
BP134114050R	1-3/4" OD X 1-1/4" ID X 50'	-	1
BPO02112050R	2" OD X 1-1/2" ID X 50'	-	1



VACUUM HOSE • REEL

Item No.	Product Description	Inner Quantity	Master Carton Quantity
PH158114050R	1-5/8" OD X 1-1/4" ID X 50'	-	1
PH181112025R	1-1/2" ID X 25'	-	1
PH181112050R	1-1/2" ID X 50'	-	1



SUCTION HOSE • REEL

Item No.	Product Description	Inner Quantity	Master Carton Quantity
SH184112050R	1-1/2" ID X 50'	-	1
SH237002025R	2" ID X 25'	-	1



SPA HOSE • REEL

Item No.	Product Description	Inner Quantity	Master Carton Quantity
SPO01012100R	1" OD X 1/2" ID X 100'	-	1
SP105034100R	7/8" OD X 3/4" ID X 100'	-	1
SP131001050R	1-1/8" OD X 1" ID X 50'	-	1
SP166114050R	1-3/8" OD X 1-3/4" ID X 50'	-	1
SP190112025R	1-5/8" OD X 1-3/4" ID X 25'	-	1
SP190112050R	1-5/8" OD X 1-3/4" ID X 50'	-	1
SP214002025R	2-1/8" OD X 2" ID X 25'	-	1



GARDEN HOSE • REEL

Item No.	Product Description	Inner Quantity	Master Carton Quantity
GH034058150R	3/4" OD X 5/8" ID X 150'	-	4

NON-METALLIC TUBING



LATEX HOSE • REEL

Item No.	Product Description	Inner Quantity	Master Carton Quantity
LT038014050R	3/8" OD X 1/4" ID X 50'	-	4



UTILITY HOSE • REEL

Item No.	Product Description	Inner Quantity	Master Carton Quantity
UH034012100R	3/4" OD X 1/2" ID X 100'	-	1
UH118034075R	1-1/8" OD X 3/4" ID X 75'	-	1



CLEAR VINYL TUBING • BOXED

Item No.	Product Description	Inner Quantity	Master Carton Quantity
CP316018100B	3/16" OD X 1/8" ID X 100'	-	1
CP014018100B	1/4" OD X 1/8" ID X 100'	-	1
CP516316100B	5/16" OD X 3/16" ID X 100'	-	1
CP038014100B	3/8" OD X 1/4" ID X 100'	-	1
CP716516100B	7/16" OD X 5/16" ID X 100'	-	1
CP012516100B	1/2" OD X 5/16" ID X 100'	-	1
CP012038100B	1/2" OD X 3/8" ID X 100'	-	1
CP916038100B	9/16" OD X 3/8" ID X 100'	-	1
CP058012100B	5/8" OD X 1/2" ID X 100'	-	1
CP034012100B	3/4" OD X 1/2" ID X 100'	-	1
CP034058100B	3/4" OD X 5/8" ID X 100'	-	1
CP078058100B	7/8" OD X 5/8" ID X 100'	-	1
CPO01034025B	1" OD X 3/4" ID X 25'	-	1
CP114001050B	1-1/4" OD X 1" ID X 50'	-	1



BRAIDED VINYL TUBING • BOXED

Item No.	Product Description	Inner Quantity	Master Carton Quantity
BR058038100B	5/8" OD X 3/8" ID X 100'	-	1
BR034012100B	3/4" OD X 1/2" ID X 100'	-	1
BR078058100B	7/8" OD X 5/8" ID X 100'	-	1
BR001034050B	1" OD X 3/4" ID X 50'	-	1
BR138001050B	1-3/8" OD X 1" ID X 50'	-	1



POLY TUBING • BOXED

Item No.	Product Description	Inner Quantity	Master Carton Quantity
PE014017100B	1/4" OD X 0.17" ID X 100'	-	1
PE516316100B	5/16" OD X 3/16" ID X 100'	-	1
PE038014100B	3/8" OD X 1/4" ID X 100'	-	1
PE012038100B	1/2" OD X 3/8" ID X 100'	-	1
PE058012100B	5/8" OD X 1/2" ID X 100'	-	1



CLEAR VINYL TUBING • CUT CASE

Item No.	Product Description	Inner Quantity	Master Carton Quantity
CP014017020C	1/4" OD X 0.17" ID X 20'	-	10
CP516316020C	5/16" OD X 3/16" ID X 20'	-	10
CP038014020C	3/8" OD X 1/4" ID X 20'	-	10
CP012038020C	1/2" OD X 3/8" ID X 20'	-	10
CP058012010C	5/8" OD X 1/2" ID X 10'	-	10
CP034058010C	3/4" OD X 5/8" ID X 10'	-	8



POLY TUBING • CUT CASE

Item No.	Product Description	Inner Quantity	Master Carton Quantity
PE014017025C	1/4" OD X 0.17" ID X 25'	-	10
PE516316010C	5/16" OD X 3/16" ID X 10'	-	5
PE038014025C	3/8" OD X 1/4" ID X 25'	-	10



FUEL HOSE • CUT CASE

Item No.	Product Description	Inner Quantity	Master Carton Quantity
FH012014010C	1/2" OD X 1/4" ID X 10'	-	5



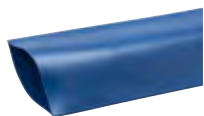
AIR HOSE • CUT CASE

Item No.	Product Description	Inner Quantity	Master Carton Quantity
AH058038010C	5/8" OD X 3/8" ID X 10'	-	5



HEATER HOSE • CUT CASE

Item No.	Product Description	Inner Quantity	Master Carton Quantity
HH078058010C	7/8" OD X 5/8" ID X 10'	-	3
HH001034010C	1" OD X 3/4" ID X 10'	-	3



DISCHARGE HOSE • CUT CASE

Item No.	Product Description	Inner Quantity	Master Carton Quantity
DW114078002C	1-1/4" OD X 7/8" ID X 2'	-	16

NON-METALLIC TUBING



BILGE HOSE • CUT CASE

Item No.	Product Description	Inner Quantity	Master Carton Quantity
BP134114006C	1-3/4" OD X 1-1/4" ID X 6'	-	3



LATEX HOSE • CUT CASE

Item No.	Product Description	Inner Quantity	Master Carton Quantity
LT038014010C	3/8" OD X 1/4" ID X 10'	-	5



UTILITY HOSE • CUT CASE

Item No.	Product Description	Inner Quantity	Master Carton Quantity
UH034012010C	3/4" OD X 1/2" ID X 10'	-	3



CLEAR VINYL TUBING • HANG TAG

Item No.	Product Description	Inner Quantity	Master Carton Quantity
CP014017010H	1/4" OD X 0.17" ID X 10'	-	10
CP516316010H	5/16" OD X 3/16" ID X 10'	-	10
CP038014010H	3/8" OD X 1/4" ID X 10'	-	10
CP716516010H	7/16" OD X 5/16" ID X 10'	-	10
CP012038010H	1/2" OD X 3/8" ID X 10'	-	10
CP058012010H	5/8" OD X 1/2" ID X 10'	-	10
CP034058010H	3/4" OD X 5/8" ID X 10'	-	10



BRAIDED VINYL TUBING • HANG TAG

Item No.	Product Description	Inner Quantity	Master Carton Quantity
BR058038010H	5/8" OD X 3/8" ID X 10'	-	10
BR034012010H	3/4" OD X 1/2" ID X 10'	-	10



POLY TUBING • HANG TAG

Item No.	Product Description	Inner Quantity	Master Carton Quantity
PE014017015H	1/4" OD X 0.17" ID X 15'	-	10
PE038014015H	3/8" OD X 1/4" ID X 15'	-	10

PACKAGING GUIDE

HC/HN STYLE PACKAGING

Our HC/HN packaging is perfect for the vendor who wants to place our MC carton directly onto their shelves. These boxes have a labeled top lid that comes off to reveal the color face label detailing that product's information.



FLAG TAGS/DATA TAGS

These items are printed tags wrapped around supply lines or valves and stops. They have the product information printed on them and allow the buyer to have all relevant information to make an informed buy.

POLYBAG

The polybag is a clear simple way to display your product. The bag is made of a tough plastic that is hard to tear to help with store security. Printed onto each bag is the product information and barcode for the product. The clear polybag also allows you to inspect the product and comes with a punch hole(s) so it is readily available to hang onto your store's peghooks.



CLAMSHELL

The clamshell package is a security style package that allows the user to see the product and comes with a printed card inside that has the printed product information on it. Each clamshell has punchouts for easy placement onto peghooks.

BULK PACK

The bulk pack is our simplest form of packaging. It is a large box with the outside label that is filled with product ready for you to use.



CERTIFICATIONS GUIDE



CSA MARK - The Canadian Standards Association symbol applies to products to inform consumers an authorized CSA testing laboratory has evaluated the product to determine that it meets applicable national standards. The CSA tests and certifies plumbing products for safety, performance, and health effects to ensure that they comply with applicable standards.



NSF MARK (ALSO NSF 61 OR NSF/ANSI 61 MARK OR NSP-PW MARK) - THE NSF symbol indicates certification to applicable NSF/ANSI 61 drinking water system component standards. The standard establishes minimum health effect requirements for materials, components, products, or systems that contact drinking water, drinking water treatment chemicals, or both.



cNSFus MARK - The cNSFus symbol indicates that the specific products have certification to both Canadian and U.S. applicable requirements by NSF International.

NSF ANNEX G (ALSO: SNF 61-G OR NSF/ANSI 61-G) - NSF Annex G indicates certification to NSF/ANSI 61 including Annex G which provides additional provisions to limit weighted lead content of wetted component surfaces to not more than 0.25% lead for certain plumbing products. These products are considered "lead free" as defined by several state and federal laws.



IAPMO UNIFORM PLUMBING CODE (UPC) CERTIFICATION MARK - The (IAPMO) Shield is applied to products that are certified by IAPMO as complying with BOTH the product's performance standard AND the Uniform Plumbing Code (UPC).

- Products with the UPC mark are in accordance with applicable American codes and standards.
- Products with the cUPC mark are in compliance with applicable American and Canadian codes and standards.
- Products with the NSF/ANSI 61 cUPC mark are in compliance with applicable NSF/ANSI 61 American and Canadian codes and standards.
- Products with the NSF/ANSI 61 cUPC AB1953 mark are in compliance with applicable NSF/ANSI 61-G American and Canadian codes and standards.
- Products with the NSF/ANSI 61-G cUPC mark are in compliance with applicable NSF Annex G American and Canadian codes and standards.



"LEAD FREE" COMPLIANT MARK - This symbol ensures that the product complies with state and federal laws defining "lead free" as having wetted surfaces that contain no more than 0.25% lead by content.



UNDERWRITERS LABORATORIES (UL) MARK - Products displaying the Underwriters Laboratories (UL) symbol have been evaluated to all applicable nationally recognized health effect and performance standards, and have demonstrated compliance with both the IPC and UPC plumbing installation codes.



FM GLOBAL MARK - Products displaying the FM Global, FM Approvals symbol are certified to assure customers a product or service that has been objectively tested and conforms to the highest national and international standards. FM Global offers worldwide industrial and commercial product certification and testing services.



TRUESDAIL MARK - Products displaying the Truesdail Laboratories symbol have been tested and found to be in compliance with applicable ANSI standards (and other accepted standards). Truesdail Laboratories is an accredited ANSI third-party certification organization.

TERMS OF SALE Please visit www.bkproducts.com

INDEX

100-001NL.....	11	101-103	25	101-805HC	26	102-534HC	19
100-002NL.....	11	101-103HC	25	102-003	15	102-603	16
100-003NL.....	11	101-104	25	102-003NL.....	15	102-604	16
100-004NL.....	11	101-104HC	25	102-004	15	102-703	15
100-005NL.....	11	101-105	25	102-004NL.....	15	102-703HN	15
100-006NL.....	11	101-106	25	102-013	16	102-704	15
100-007NL.....	11	101-106HC	25	102-014	16	102-704HC	15
100-008NL.....	11	101-107	25	102-033	16	102-803	15
100-009	11	101-107HC	25	102-034	16	102-803HC	15
100-010	12	101-108	25	102-053HN	15	102-804	15
100-011	12	101-108HC	25	102-054HN	15	102-804HC	15
100-103	12	101-203	24	102-103	15	102-816	17
100-104	12	101-204	24	102-103HC	15	102-817	17
100-105	12	101-205	24	102-103NL.....	15	102-903	15
100-106	12	101-206	24	102-104	15	102-903A.....	15
100-107	12	101-207	24	102-104HN	15	103-003	17
100-108	12	101-208	24	102-104NL.....	15	103-003HC	17
100-202NL.....	11	101-303NL.....	25	102-120	6	103-003NL.....	17
100-203NL.....	11	101-304NL.....	25	102-120	45	103-004	17
100-204NL.....	11	101-305NL.....	25	102-121	6	103-004HC	18
100-205NL.....	11	101-306NL.....	25	102-121	45	103-004NL.....	18
100-206NL.....	11	101-307NL.....	25	102-194HC	27	103-013	17
100-207NL.....	11	101-308NL.....	25	102-201	17	103-014	17
100-208	11	101-324NL.....	26	102-201HN	17	103-023	18
100-403NL.....	12	101-325NL.....	26	102-202	17	103-023HC	18
100-404NL.....	12	101-326NL.....	26	102-202HC	17	103-024	18
100-405NL.....	12	101-327NL.....	26	102-203	17	103-053HN	18
100-406NL.....	12	101-328NL.....	26	102-203HN	17	103-054HN	18
100-407NL.....	12	101-343NL.....	25	102-204	17	103-203	18
100-408HC	12	101-344NL.....	25	102-205	17	103-203HN	18
100-453NL.....	12	101-345NL.....	25	102-207	17	103-204	18
100-454NL.....	12	101-346NL.....	25	102-207HC	17	103-204HN	18
100-455NL.....	12	101-347NL.....	25	102-209	17	103-303	18
100-502NL.....	12	101-348NL.....	25	102-210	17	103-303HC	18
100-503NL.....	12	101-404HC	26	102-223	16	103-304	18
100-504NL.....	12	101-405	26	102-223HN	16	103-304HC	18
100-505NL.....	12	101-503NL.....	24	102-224	16	103-501RM.....	19
100-506NL.....	12	101-504NL.....	24	102-224HN	16	103-501RP.....	19
100-507NL.....	12	101-505NL.....	24	102-303	19	104-401	21
100-508NL.....	12	101-506NL.....	25	102-303HC	19	104-402	21
100-603	12	101-507NL.....	25	102-304	19	104-403	21
100-604	12	101-508NL.....	25	102-304HC	19	104-404	21
100-605	12	101-509NL.....	25	102-333HC	19	104-405	21
100-606	12	101-510NL.....	25	102-334HC	19	104-406	21
100-607	12	101-603	25	102-353HN	18	104-411	21
100-608	12	101-603HC	25	102-354HN	18	104-412	21
100-703NL.....	11	101-604	25	102-363HC	19	104-413	21
100-704NL.....	11	101-604HC	25	102-403	19	104-414	21
100-705NL.....	11	101-605	25	102-403HC	19	104-415	21
100-803NL.....	12	101-605HC	25	102-404	19	104-511	22
100-804NL.....	12	101-606	25	102-404HC	19	104-513	22
101-001NL.....	24	101-607	25	102-433HC	19	104-515	22
101-002NL.....	24	101-608	25	102-434HC	19	104-517	22
101-003NL.....	24	101-703	24	102-453HN	18	104-519	22
101-004NL.....	24	101-704	24	102-454HN	18	104-521HC	22
101-005NL.....	24	101-705	24	102-463HC	18	104-615HC	22
101-006NL.....	24	101-706	24	102-503	16	104-617HC	22
101-007NL.....	24	101-707	24	102-503HC	16	104-619HC	22
101-008NL.....	24	101-708	24	102-504	16	104-791HC	23
101-009NL.....	24	101-803HC	26	102-504HC	16	104-793HC	23
101-010NL.....	24	101-804HC	26	102-534	19	104-795HC	23

104-797HC	23	105-905NL	24	107-137	7	107-816NL	4
104-799HC	23	106-001NL	14	107-137HC	7	107-817NL	4
104-821HC	22	106-002NL	14	107-138	7	107-818NL	4
104-823HC	22	106-003NL	14	107-138HC	7	107-821NL	3
104-825HC	22	106-004NL	14	107-139	7	107-822NL	3
104-827HC	22	106-005NL	14	107-140	7	107-823LNL	4
104-829HC	22	106-006NL	14	107-141	7	107-823NL	3
104-831HC	22	106-007NL	14	107-314NL	5	107-824LNL	4
104-841HC	23	107-000NL	3	107-315NL	5	107-824NL	3
104-843HC	23	107-001NL	3	107-321NL	5	107-824TNL	4
104-845HC	23	107-002NL	3	107-334NL	4	107-825LNL	4
104-847HC	23	107-003NL	3	107-342NL	4	107-825NL	3
104-849HC	23	107-004NL	3	107-343NL	4	107-825TNL	4
104-851HC	23	107-005NL	3	107-344NL	4	107-826NL	3
105-003NL	13	107-006NL	3	107-345NL	4	107-827NL	3
105-004NL	13	107-007NL	3	107-401NL	3	107-828NL	3
105-023	14	107-008NL	3	107-402NL	3	107-829NL	3
105-023HC	14	107-023NL	5	107-403NL	3	107-830NL	3
105-024	14	107-023NLA	5	107-404NL	3	107-831NL	3
105-024HC	14	107-024NL	5	107-405NL	3	107-843NL	3
105-083NL	13	107-024NLA	5	107-406NL	3	107-844NL	3
105-084NL	13	107-025NL	5	107-407NL	3	107-845NL	3
105-103NL	13	107-043NL	6	107-408NL	3	107-846NL	3
105-104NL	13	107-044NL	6	107-453NL	3	107-847NL	3
105-123	14	107-045NL	6	107-454NL	3	107-848NL	3
105-124	14	107-062HC	62	107-455NL	3	107-849NL	3
105-124HC	14	107-063	5	107-456NL	3	107-850NL	3
105-183NL	13	107-063	62	107-457NL	3	107-851NL	3
105-184NL	13	107-063HC	5	107-458NL	3	107-853NL	4
105-223	14	107-063HC	62	107-553NL	5	107-854NL	4
105-223HN	14	107-064	5	107-554NL	5	107-855NL	4
105-224	14	107-064	62	107-555NL	5	107-856NL	4
105-224HN	14	107-064HC	5	107-603	7	107-857NL	4
105-323	14	107-064HC	62	107-604	7	107-858NL	4
105-323HN	14	107-065	5	107-605	7	108-003	20
105-324	14	107-065	62	107-606	7	108-003HC	20
105-324HN	14	107-065HC	5	107-607	7	108-003NL	20
105-403	15	107-065HC	62	107-608	7	108-004	20
105-403HC	15	107-103	7	107-608	7	108-004HN	20
105-404	15	107-104	7	107-633	6	108-004NL	20
105-404HC	15	107-105	7	107-634	6	108-013	20
105-413	15	107-106	7	107-634HC	6	108-014	20
105-414	15	107-107	7	107-635	6	108-033HC	21
105-503NL	13	107-108	7	107-635HC	6	108-034HC	21
105-504NL	13	107-123	6	107-636	6	108-053HN	20
105-513NL	13	107-123HN	6	107-636HC	6	108-054HN	20
105-514NL	13	107-124	6	107-637	6	108-103	20
105-583NL	13	107-124HN	6	107-637HC	6	108-103HN	20
105-584NL	13	107-125	6	107-638	6	108-104	20
105-603NL	13	107-125HN	6	107-638HC	6	108-104HC	20
105-604NL	13	107-126	6	107-639	6	108-105	20
105-613NL	13	107-127	6	107-640	6	108-124	20
105-614NL	13	107-128	6	107-641	6	108-133HN	20
105-683NL	13	107-133	7	107-753NL	5	108-134HN	20
105-684NL	13	107-133HC	7	107-754NL	5	108-135HN	20
105-774NL	16	107-134	7	107-755NL	5	108-199HN	20
105-783NL	16	107-134HC	7	107-811NL	4	108-203HC	20
105-784NL	16	107-135	7	107-812NL	4	108-203HC	20
105-785NL	16	107-135HC	7	107-813NL	4	108-204	20
105-903NL	24	107-136	7	107-814NL	4	108-503	20
105-904NL	24	107-136HC	7	107-815NL	4	108-503HC	20

INDEX

108-553HN	20	110-222	8	121-024RP	79	131-601	90
108-904	21	110-223C	8	121-044	79	131-701	90
108-904HN	21	110-223HC	8	121-044RP	79	131-801	90
108-904NL	21	110-224C	8	121-054	79	132-201	91
108-904RP	21	110-224HC	8	122-018	76	132-205	91
108-905LW	181	110-225	8	122-018RP	76	132-206	91
109-203	28	110-522	7	122-028	76	132-234	91
109-204	28	110-522HC	7	122-028RP	76	132-235	91
109-213	28	110-523	7	122-038	77	133-001	121
109-214	28	110-523HC	7	122-044	82	133-002	121
109-224	28	110-524	7	122-044RP	82	133-003	121
109-225	28	110-524HC	7	122-048	77	133-004	121
109-241	27	110-553	8	123-003	82	133-008	121
109-303	26	110-554	8	123-004	83	133-009	121
109-304	26	110-555	8	123-005	83	133-010	121
109-305	26	111-123HC	9	123-007NL	83	133-011	121
109-306	26	111-124HC	9	123-009NL	83	133-015	121
109-307	26	111-523	8	123-011NL	83	133-016	121
109-313	26	111-524	8	123-096	108	133-017	121
109-314	26	111-525	8	125-001	84	133-018	121
109-360	26	112-002	27	125-003	84	133-019	121
109-361	27	112-501	27	125-005	85	133-020	121
109-362	27	112-501HC	27	125-901	84	133-101	93
109-363	27	112-551	27	125-901	108	133-102	93
109-364	27	113-523	8	126-006LT	85	133-104	93
109-370	27	113-523HN	8	126-008	85	133-105	93
109-371	27	113-524	8	126-009	85	133-106	93
109-383	26	113-524HN	8	126-013	85	133-107	93
109-384	26	113-525	8	126-014	85	133-108	94
109-385	26	113-526	8	126-015	85	133-109	94
109-503	28	114-522	10	127-006	89	133-110	94
109-503RP	28	114-523	10	127-009	89	133-111	94
109-603RP	28	114-524	10	127-106	89	133-112	94
109-802	28	114-533	9	127-106RP	89	133-114	94
109-803	28	114-534	9	129-003	91	133-115	94
109-804	29	114-543	10	129-005	91	133-202	90
109-805	29	114-544	10	129-007	91	133-2021	90
109-806	29	115-503	10	129-008	91	133-301	93
109-807	29	116-502	9	129-009	91	133-302	93
109-808	29	116-503	9	129-015	91	133-404	94
109-813	29	116-504	9	129-301	91	133-405	94
109-814	29	116-512	9	129-302	91	133-601	94
109-841	29	116-513	9	129-303	91	133-602	94
109-843	29	116-552	9	131-001DP	89	133-901	95
109-845	29	116-553	9	131-002DP	89	133-904	95
109-851	29	117-592	10	131-003DP	89	134-101	89
109-852	29	118-001	10	131-022DP	89	134-101RP	89
109-853	29	118-001RP	10	131-023DP	89	134-102	89
109-855	29	118-002	10	131-101	89	134-102RP	89
109-861	29	118-002RP	10	131-101RP	89	134-201	89
109-862	29	118-003	10	131-201	90	134-202	89
109-863	29	118-004	10	131-201DP	90	134-301	89
109-864	29	118-021RP	10	131-201RP	90	134-303	89
109-871	29	118-022RP	10	131-202	90	134-401	89
109-872	29	118-025RP	11	131-203	90	135-001	110
109-901	28	120-003NLA	84	131-204	90	135-002	110
110-122	8	120-004NL	86	131-212	90	135-021	111
110-123HC	8	120-005NL	84	131-301	90	135-022	111
110-124HC	8	121-014	79	131-302	90	135-102	95
110-125	8	121-014RP	79	131-401	90	135-103	95
110-125HC	8	121-024	79	131-501	90	135-104	95

135-105	95	153-013	107	160-003HC	97	160-611	111
135-201	95	154-007	112	160-004	97	160-703	111
135-203	95	154-008	112	160-004HC	97	160-704	111
135-204	95	154-010	112	160-005	97	160-705	111
135-212	95	154-011	112	160-006	97	160-706	111
135-301	110	154-012	112	160-006HC	97	160-707	111
139-101RP.....	90	154-013	112	160-007	97	160-708	111
139-201	90	156-003	112	160-007HC	97	160-709	111
139-202	90	156-004	112	160-008	97	160-710	111
139-203	90	156-005	112	160-008HC	97	160-711	111
139-204	90	156-013	112	160-103	97	160-803	111
139-205	90	156-020	104	160-103HC	97	160-804	111
139-207BP.....	90	156-021	104	160-104	97	160-805	111
139-208	90	156-022	104	160-104HC	97	160-806	111
139-209	90	156-023	104	160-105	97	160-807	111
141-012	107	156-024	104	160-105HC	97	160-808	111
141-513	107	156-025	104	160-106	97	161-103	100
142-090	107	156-026	104	160-106HC	97	161-103HC	100
142-092	107	156-054	94	160-107	97	161-104	100
142-093	107	156-056	94	160-107HC	97	161-104HC	100
142-094	107	156-119	104	160-108	97	161-105	100
142-095	107	156-121	104	160-108HC	97	161-105HC	101
142-096	107	156-122	104	160-109	97	161-106	101
142-103	107	156-123	104	160-110	97	161-107	101
150-060	115	156-124	104	160-111	97	161-108	101
150-061	115	156-125	104	160-203	97	162-003	98
150-067	115	156-126	104	160-203HC	97	162-004	98
150-201	105	156-127	104	160-204	97	162-103	98
150-202	105	156-129	104	160-204HC	97	162-103HC	98
150-203	105	156-708	109	160-205	97	162-104	98
150-204	105	156-712	109	160-303NL.....	98	162-104HC	98
150-205	105	158-002	109	160-304NL.....	98	162-105	99
150-206	105	158-003	109	160-305NL.....	98	162-105HC	99
150-207	105	158-004	109	160-306NL.....	98	162-106	99
150-208	105	158-005	109	160-307NL.....	98	162-107	99
150-209	105	158-006	109	160-308NL.....	98	162-108	99
151-006	115	158-007	109	160-407NL.....	98	162-134	99
151-015	115	158-008	109	160-503	98	162-134HC	99
151-021	115	158-102	108	160-503HC	98	162-303NL.....	98
151-027	115	158-103	108	160-504	98	162-304NL.....	98
151-039	115	158-104	108	160-504HC	98	162-305NL.....	98
151-047	116	158-105	108	160-505	98	162-306NL.....	98
151-048	116	158-107	108	160-505HC	98	162-307NL.....	98
151-051	116	158-108	108	160-506	98	162-334NL.....	98
151-052	116	158-108	108	160-506HC	98	162-603	99
151-060	115	158-503	109	160-507	98	162-604	99
151-061	115	158-504	109	160-507HC	98	162-605	99
151-062	115	158-505	109	160-508	98	162-606	99
151-063	115	158-506	109	160-508HC	98	162-607	99
151-064	115	158-507	109	160-509	98	162-608	99
151-064	115	158-602	108	160-510	98	164-103	99
151-065	115	158-603	108	160-511	98	164-103HC	99
151-066	115	158-604	108	160-602	111	164-104	99
151-067	115	158-706	109	160-602	111	164-104HC	99
151-710	116	158-707	109	160-603	111	164-105	99
151-730	116	158-866	104	160-604	111	164-105HC	99
151-770	116	158-876	104	160-605	111	164-106	99
152-000	110	158-877	105	160-606	111	164-106HC	99
152-001	110	158-966	105	160-607	111	164-107	99
152-003	110	158-976	105	160-608	111	164-107HC	99
152-012	111	158-977	105	160-609	111	164-108	99
153-001	107	160-003	97	160-610	111		

INDEX

164-108HC	99	165-104NL.....	119	192-732HC	31	222-341	77
164-133	99	165-105NL.....	119	193-032HC	32	222-403H.....	75
164-133HC	99	167-003NL.....	119	193-132HC	33	222-404H.....	75
164-134	99	167-004NL.....	119	194-321HC	34	222-405H.....	76
164-134HC	99	167-004WW.....	182	194-322HC	34	222-412	75
164-135	99	167-094NL.....	119	195-321HC	34	222-413	75
164-135HC	99	168-003NL.....	119	195-322HC	34	222-414	75
164-136	99	168-003WW.....	182	196-322HC	34	222-422	75
164-136HC	99	168-004NL.....	119	199-001RP.....	34	222-423	75
164-137	99	168-004WW.....	182	199-002RP.....	34	222-432	82
164-137HC	99	168-005NL.....	119	199-003RP.....	34	222-433	81
164-138	99	168-006NL.....	119	203-194NL.....	84	222-501NL.....	81
164-138HC	99	168-007NL.....	119	210-522RP.....	9	222-502NL.....	81
164-203	100	168-008NL.....	119	210-523HC	9	222-508NL.....	76
164-204	100	168-094NL.....	119	210-523RP.....	9	222-518NL.....	76
164-303NL.....	103	169-401	103	210-524HC	9	222-609H.....	76
164-304NL.....	103	169-402	103	210-524RP.....	9	222-619H.....	76
164-305NL.....	103	169-403	103	214-522RP.....	9	222-738H.....	76
164-306NL.....	103	169-404	103	214-523RP.....	9	223-014	83
164-307NL.....	103	169-405	103	214-524RP.....	9	223-015	83
164-308NL.....	103	169-406	103	216-502RP.....	9	223-095	83
164-313NL.....	103	190-022HC	31	216-503RP.....	9	223-609HC	83
164-314NL.....	103	190-031HC	31	216-504RP.....	9	225-503	82
164-315NL.....	103	190-032HC	31	220-006NL.....	84	225-504	82
164-316NL.....	104	190-033HC	31	220-007NL.....	86	225-801	84
164-317NL.....	104	190-037HC	31	221-000	80	228-010	81
164-318NL.....	104	190-222HC	31	221-001	80	228-011	81
164-603	100	190-231HC	31	221-002	80	228-012	81
164-603HC	100	190-232HC	31	221-003	80	228-013	81
164-604	100	190-233HC	31	221-005NL.....	78	229-001	75
164-604HC	100	190-237HC	31	221-015	82	229-002	75
164-605	100	190-300HC	31	221-016	82	229-0027	75
164-605HC	100	190-301HC	31	221-104	78	229-003	75
164-606	100	190-432HC	32	221-114	78	229-004	75
164-606HC	100	190-433HC	32	221-204	80	229-005	75
164-607	100	190-732HC	31	221-205	80	229-006	75
164-607HC	100	190-832HC	31	221-505NL.....	78	229-007	77
164-608	100	190-931HC	32	221-605H.....	78	229-008	77
164-608HC	100	190-932HC	32	221-615H.....	78	229-009	77
164-633	100	190-937HC	32	221-804	78	229-010	77
164-633HC	100	191-022HC	32	221-814	78	229-011	77
164-634	100	191-032HC	32	221-998	85	229-012	77
164-634HC	100	191-099HC	32	221-999	85	229-013	79
164-635	100	191-222HC	33	222-108	76	229-014	79
164-635HC	100	191-232HC	33	222-118	76	229-015	79
164-636	100	191-233HC	33	222-212	80	229-016	79
164-636HC	100	191-237HC	33	222-215	80	229-017	75
164-637	100	191-300HC	33	222-217	80	229-018	75
164-637HC	100	191-301HC	33	222-219	80	229-019	81
164-638	100	191-432HC	34	222-225	80	229-020	81
164-638HC	100	191-622HC	33	222-231	80	229-021	81
164-639	100	191-732HC	32	222-302H.....	78	229-022	81
164-640	100	191-832HC	33	222-303H.....	78	229-023	79
164-641	100	191-931HC	33	222-311H.....	78	229-024	79
165-003	119	191-932HC	33	222-312H.....	78	229-025	79
165-004	119	191-937HC	33	222-328	77	229-026	79
165-005	119	192-032HC	31	222-329	77	229-028	77
165-006	119	192-037HC	31	222-333	77	229-029	79
165-007	119	192-122HC	31	222-334	77	229-030	75
165-008	119	192-132HC	31	222-337H.....	78	401-603	103
165-103NL.....	119	192-137HC	31	222-340	77	401-623	103

401-703	103	408-120	102	453-004NL	160	455-053NL	161
401-713	103	413-040	102	453-006NL	160	455-054NL	161
401-723	103	413-060	102	453-041NL	160	455-063NL	161
401-823	103	413-080	102	453-042NL	160	455-064NL	161
401-923	103	413-100	103	453-043NL	160	455-065NL	161
403-001	101	413-120	103	453-044NL	160	455-074NL	161
403-015	101	423-001	102	453-045NL	160	455-075NL	161
403-020	101	423-020	102	453-048NL	160	455-076NL	161
403-025	101	423-030	102	453-052NL	160	455-077NL	161
403-030	101	423-040	102	453-053NL	160	455-084NL	161
403-035	101	423-050	102	453-054NL	160	455-085NL	161
403-040	101	423-060	102	453-055NL	160	455-086NL	161
403-045	101	423-080	102	453-056NL	160	455-087NL	161
403-050	101	423-100	102	453-073NL	160	455-090NL	161
403-055	101	423-120	102	453-074NL	160	455-091NL	161
403-060	101	440-030NL	104	453-100NL	160	456-000NL	161
403-070	101	450-000NL	159	453-101NL	160	456-001NL	161
403-080	101	450-001NL	159	453-102NL	160	456-002NL	161
403-090	101	450-002NL	159	453-103NL	160	456-003NL	162
403-100	101	450-003NL	159	453-104NL	160	456-004NL	162
403-120	101	450-004NL	159	453-105NL	160	457-000NL	162
403-160	101	450-006NL	159	454-000NL	160	457-001NL	162
403-180	101	450-008NL	159	454-001NL	160	457-002NL	162
403-240	101	450-032NL	159	454-002NL	160	457-003NL	162
403-300	101	450-043NL	159	454-003NL	160	457-004NL	162
403-360	101	450-053NL	159	454-004NL	160	457-006NL	162
403-480	101	450-054NL	159	454-005NL	160	457-008NL	162
404-001	101	450-075NL	159	454-006NL	160	458-000NL	162
404-020	101	450-076NL	159	454-007NL	160	458-001NL	162
404-025	101	450-085NL	159	454-008NL	160	458-002NL	162
404-030	101	450-087NL	159	454-010NL	160	458-003NL	162
404-040	101	451-000NL	159	454-021NL	160	458-004NL	162
404-050	101	451-001NL	159	454-025NL	160	458-013NL	162
404-060	101	451-002NL	159	454-031NL	160	458-014NL	162
404-080	101	451-003NL	159	454-032NL	160	458-016NL	162
404-100	101	451-004NL	159	454-041NL	160	458-017NL	162
404-120	101	451-005NL	159	454-042NL	161	458-018NL	162
404-180	101	451-006NL	159	454-043NL	161	458-093NL	162
404-240	101	451-007NL	159	454-053NL	161	458-094NL	162
404-300	101	451-008NL	159	454-054NL	161	458-095NL	162
404-360	101	451-100NL	159	454-064NL	161	458-096NL	162
404-480	101	451-101NL	159	454-065NL	161	458-097NL	162
405-001	101	451-102NL	159	454-074NL	161	458-098NL	162
405-050	101	451-103NL	159	454-075NL	161	459-000NL	163
405-060	101	451-104NL	159	454-076NL	161	459-001NL	163
405-080	101	451-105NL	159	454-084NL	161	459-002NL	163
405-100	101	451-106NL	159	454-085NL	161	459-003NL	163
405-120	101	451-107NL	159	454-086NL	161	459-004NL	163
406-001	102	452-000NL	159	454-087NL	161	459-006NL	163
407-001	102	452-001NL	159	455-010NL	161	459-008NL	163
407-060	102	452-002NL	159	455-020NL	161	460-001	164
407-080	102	452-003NL	159	455-021NL	161	460-001HC	164
407-100	102	452-004NL	159	455-030NL	161	460-015	164
407-120	102	452-005NL	159	455-031NL	161	460-015HC	164
408-001	102	452-006NL	159	455-032NL	161	460-020	164
408-030	102	452-007NL	159	455-040NL	161	460-025	164
408-040	102	452-008NL	159	455-041NL	161	460-030	164
408-050	102	453-000NL	160	455-042NL	161	460-030HC	164
408-060	102	453-001NL	160	455-043NL	161	460-035	164
408-080	102	453-002NL	160	455-051NL	161	460-040	164
408-100	102	453-003NL	160	455-052NL	161	460-040HC	164

INDEX

460-045	164	464-015	165	468-060	166	496-009	37
460-050	164	464-015HC	165	494-102	38	496-010	37
460-055	164	464-020	165	494-103	38	496-011	37
460-060	164	464-020HC	165	494-104	38	496-012	37
461-001	164	464-025	165	494-105	38	496-013	37
461-015	164	464-030	165	495-001	38	496-013EF	41
461-015HC	164	464-030HC	165	495-002	38	496-014	37
461-020	164	464-035	165	495-003	38	496-015	37
461-020HC	164	464-040	165	495-003P6	38	496-016	37
461-025	164	464-040HC	165	495-004	38	496-017	37
461-030	164	464-045	165	495-005	38	496-018	37
461-030HC	164	464-050	165	495-006	38	496-019	37
461-035	164	464-050HC	165	495-009	38	496-020	37
461-040	164	464-055	165	495-011	38	496-021	37
461-040HC	164	464-060	165	495-012	38	496-030	37
461-045	164	464-060HC	165	495-013	38	496-031	37
461-050	164	464-080	165	495-014	38	496-032	37
461-055	164	464-100	165	495-015	38	496-034	37
461-060	164	464-120	165	495-016	38	496-035	37
461-060HC	164	465-001	165	495-053	38	496-036	37
462-001	164	465-020	165	495-061	38	496-037	37
462-001HC	164	465-025	165	495-062	38	496-038	37
462-015	164	465-030	165	495-063	38	496-039	37
462-015HC	164	465-035	165	495-064	38	496-040	37
462-020	164	465-040	165	495-065	38	496-047	37
462-020HC	164	465-045	165	495-071	38	496-049	37
462-025	164	465-050	165	495-073	38	496-053	37
462-030	164	465-055	165	495-102	39	496-060	37
462-030HC	164	465-060	165	495-103	39	496-061	37
462-035	164	465-060HC	165	495-103P3	39	496-061EF	41
462-040	164	465-080	165	495-104	39	496-062	37
462-040HC	164	465-100	165	495-105	39	496-063	37
462-045	164	465-120	165	495-113	39	496-064	37
462-050	164	466-001	165	495-123	39	496-065	37
462-055	164	466-020	165	495-133	39	496-066	37
462-060	164	466-025	165	495-140	39	496-066	38
462-080	164	466-030	165	495-143	39	496-067	37
462-120	164	466-035	165	495-150	39	496-071	37
463-001	164	466-040	166	495-151	39	496-072	37
463-001HC	164	466-045	166	495-153	39	496-073	37
463-015	164	466-050	166	495-213	41	496-076	37
463-015HC	164	466-055	166	495-215	41	496-102	38
463-020	164	466-060	166	495-216	41	496-10210PK	38
463-020HC	164	467-001	166	495-217	41	496-102EF	41
463-025	165	467-020	166	496-000	37	496-103	38
463-030	165	467-025	166	496-001	37	496-10310PK	38
463-030HC	165	467-030	166	496-00110PK	37	496-103EF	41
463-035	165	467-035	166	496-001EF	41	496-103P3	38
463-040	165	467-040	166	496-002	37	496-104	38
463-040HC	165	467-045	166	496-00210PK	37	496-104EF	41
463-045	165	467-050	166	496-002EF	41	496-105	38
463-050	165	467-055	166	496-003	37	496-105EF	41
463-050HC	165	467-060	166	496-00310PK	37	496-113	38
463-055	165	468-001	166	496-003EF	41	496-123	38
463-060	165	468-025	166	496-003P8	37	496-133	38
463-060HC	165	468-030	166	496-004	37	496-140	38
463-080	165	468-035	166	496-005	37	496-142	38
463-100	165	468-040	166	496-006	37	496-143	38
463-120	165	468-045	166	496-006EF	41	496-150	38
464-001	165	468-050	166	496-008	37	496-151	38
464-001HC	165	468-055	166	496-009	37	496-151EF	42

496-152	38	496-813	38	510-110	129	510-195	130
496-153	38	496-820	38	510-110HC	129	510-195BC	130
496-153EF	42	496-821	39	510-111	130	510-196	130
496-201	41	496-822	39	510-111BC	130	510-196BC	130
496-201EF	42	496-823	39	510-112	130	510-197	130
496-202	41	496-902	37	510-112BC	130	510-197BC	130
496-202EF	42	496-903	39	510-113	130	510-198	130
496-203	41	496-904	39	510-113BC	130	510-198BC	130
496-203EF	42	496-911	38	510-115	130	510-200	131
496-205	41	496-912	39	510-115BC	130	510-200HC	131
496-211	41	496-913	39	510-116	130	510-201	131
496-211EF	42	496-915	40	510-116BC	130	510-201HC	131
496-212	41	496-920	40	510-117	130	510-202	131
496-212DEF	42	496-921	40	510-117BC	130	510-202HC	131
496-212DP	41	496-922	40	510-118	130	510-203	131
496-212EF	42	496-922EF	42	510-118BC	130	510-203HC	131
496-212EL	41	496-924	40	510-119	130	510-204	131
496-213	41	496-994	41	510-119BC	130	510-204HC	131
496-213DEF	42	497-033	42	510-120	129	510-205	131
496-213EF	42	505-020	101	510-121	129	510-205HC	131
496-213EL	41	505-030	101	510-121HC	129	510-206	131
496-216	41	505-040	101	510-130	129	510-206HC	131
496-217	40	506-020	102	510-131	129	510-207	131
496-218	40	506-025	102	510-131HC	129	510-207HC	131
496-220	40	506-030	102	510-132	129	510-208	131
496-221	40	506-040	102	510-132HC	129	510-208HC	131
496-222	40	506-050	102	510-141	129	510-209	131
496-223	40	506-060	102	510-142	129	510-209BC	131
496-224	40	506-080	102	510-142HC	129	510-210	131
496-225	40	506-100	102	510-143	129	510-210BC	131
496-227	40	506-120	102	510-143HC	129	510-211	131
496-228	40	507-020	102	510-144	129	510-211BC	131
496-231	40	507-025	102	510-144HC	129	510-220	132
496-234	40	507-030	102	510-151	129	510-221	132
496-235	40	507-040	102	510-152	129	510-229	132
496-236	40	507-050	102	510-154	129	510-300	131
496-237	40	510-000	129	510-154HC	129	510-300HC	131
496-238	40	510-000HC	129	510-157	130	510-301	131
496-240	40	510-001	129	510-157HC	130	510-301HC	131
496-243	37	510-001HC	129	510-163	129	510-302	131
496-701	39	510-002	129	510-164	129	510-302HC	131
496-702	39	510-002HC	129	510-164HC	129	510-303	131
496-703	39	510-003	129	510-165	130	510-303HC	131
496-711	40	510-003HC	129	510-165HC	130	510-304	131
496-712	40	510-004	129	510-173	130	510-304HC	131
496-713	40	510-004HC	129	510-174	130	510-305	131
496-720	39	510-005	129	510-174HC	130	510-305HC	131
496-721	39	510-005HC	129	510-176	130	510-306	131
496-722	39	510-006	129	510-176HC	130	510-306HC	131
496-730	40	510-006HC	129	510-183	130	510-307	131
496-731	40	510-007	129	510-184	130	510-307HC	131
496-732	40	510-007HC	129	510-185	130	510-308	131
496-801	37	510-008	129	510-185HC	130	510-308HC	131
496-802	37	510-008HC	129	510-186	130	510-309	131
496-803	37	510-009	129	510-186HC	130	510-309BC	131
496-804	37	510-009BC	129	510-187	130	510-310	131
496-805	37	510-010	129	510-187HC	130	510-310BC	131
496-806	37	510-010BC	129	510-193	130	510-311	131
496-810	38	510-011	129	510-193BC	130	510-311BC	131
496-811	38	510-011BC	129	510-194	130	510-322	132
496-812	38	510-013	129	510-194BC	130	510-322HC	132

INDEX

510-330	132	510-633	134	510-778	135	510-936	133
510-331	132	510-634	134	510-783	133	510-936BC	133
510-331HC	132	510-635	134	510-785	133	510-937	133
510-334	133	510-636	134	510-785HC	133	510-937BC	133
510-334HC	133	510-643	134	510-787	133	510-939	133
510-335	133	510-644	134	510-787HC	133	510-939BC	133
510-338	133	510-645	134	510-793	134	510-945	133
510-388	133	510-645HC	134	510-793HC	134	510-945BC	133
510-388BC	133	510-646	134	510-803	136	510-946	133
510-433	133	510-646HC	134	510-803HC	136	510-946BC	133
510-433HC	133	510-653	134	510-804	136	510-947	133
510-434	133	510-654	134	510-804HC	136	510-947BC	133
510-434HC	133	510-655	134	510-805	136	510-948	133
510-435	133	510-655HC	134	510-806	136	510-948BC	133
510-442	132	510-656	134	510-808	136	510-949	133
510-442HC	132	510-657	134	510-813	136	510-993	133
510-444	132	510-658	134	510-814	136	510-993BC	133
510-444HC	132	510-659	134	510-815	136	510-994	133
510-445	133	510-662	132	510-838	135	510-994BC	133
510-445HC	133	510-663	132	510-844	135	510-995	133
510-446	133	510-663HC	132	510-848	135	510-995BC	133
510-533	133	510-664	132	510-855	135	510-996	133
510-534	133	510-664HC	132	510-857	135	510-996BC	133
510-534HC	133	510-683	135	510-858	135	510-997	133
510-543	134	510-684	135	510-865	135	510-997BC	133
510-543HC	134	510-685	135	510-866	135	510-998	133
510-544	134	510-734	134	510-867	135	510-998BC	133
510-544HC	134	510-735	134	510-868	135	511-000	137
510-545	134	510-736	134	510-874	135	511-001	137
510-545HC	134	510-737	134	510-875	135	511-002	137
510-551	132	510-743	132	510-876	135	511-002HC	137
510-552	132	510-743HC	132	510-877	135	511-003	137
510-556	134	510-744	134	510-878	135	511-003HC	137
510-556HC	134	510-746	134	510-884	133	511-004	137
510-557	134	510-747	134	510-886	133	511-004HC	137
510-558	134	510-748	134	510-886HC	133	511-005	137
510-600	132	510-753	132	510-889	135	511-005HC	137
510-600HC	132	510-753HC	132	510-900	136	511-006	137
510-601	132	510-754	132	510-900HC	136	511-006HC	137
510-601HC	132	510-754HC	132	510-901	136	511-007	137
510-602	132	510-755	134	510-901HC	136	511-007HC	137
510-602HC	132	510-756	134	510-902	136	511-008	137
510-603	132	510-757	134	510-902HC	136	511-008HC	137
510-603HC	132	510-758	134	510-903	136	511-009	137
510-604	132	510-759	134	510-903HC	136	511-009BC	137
510-604HC	132	510-763	134	510-904	136	511-010	137
510-605	132	510-764	134	510-904HC	136	511-010BC	137
510-605HC	132	510-765	132	510-905	136	511-011	137
510-606	132	510-765HC	132	510-905HC	136	511-011BC	137
510-606HC	132	510-766	133	510-906	136	511-200	137
510-607	132	510-767	135	510-906HC	136	511-200HC	137
510-607HC	132	510-768	135	510-907	136	511-201	137
510-608	132	510-769	135	510-907HC	136	511-201HC	137
510-608HC	132	510-769HC	135	510-908	136	511-202	137
510-609	132	510-772	133	510-908HC	136	511-202HC	137
510-609BC	132	510-773	133	510-909	136	511-203	137
510-610	132	510-773HC	133	510-909BC	136	511-203HC	137
510-610BC	132	510-774	133	510-934	133	511-204	137
510-611	132	510-774HC	133	510-934BC	133	511-204HC	137
510-611BC	132	510-776	133	510-935	133	511-205	137
510-613	132	510-776HC	133	510-935BC	133	511-205HC	137

511-206	137	511-332	138	511-404	139	511-711BC	141
511-206HC	137	511-332HC	138	511-404HC	139	511-800	141
511-207	137	511-340	138	511-405	139	511-800HC	141
511-207HC	137	511-340HC	138	511-405HC	139	511-801	141
511-208	137	511-341	138	511-406	139	511-801HC	141
511-208HC	137	511-341HC	138	511-406HC	139	511-802	141
511-209	137	511-342	138	511-407	139	511-802HC	141
511-209BC	137	511-342HC	138	511-407HC	139	511-803	141
511-210	137	511-343	138	511-408	139	511-803HC	141
511-210BC	137	511-343HC	138	511-408HC	139	511-804	141
511-211	137	511-351	138	511-409	139	511-804HC	141
511-211BC	137	511-352	138	511-409BC	139	511-805	141
511-213	137	511-352HC	138	511-410	139	511-805HC	141
511-220	155	511-353	138	511-410BC	139	511-806	141
511-221	155	511-353HC	138	511-411	139	511-806HC	141
511-222	155	511-354	138	511-411BC	139	511-807	141
511-223	155	511-354HC	138	511-413	139	511-807HC	141
511-224	155	511-362	138	511-602	140	511-808	141
511-225	155	511-363	138	511-602HC	140	511-808HC	141
511-226	155	511-363HC	138	511-603	140	511-809	141
511-227	155	511-364	138	511-603HC	140	511-809BC	141
511-228	155	511-364HC	138	511-604	140	511-810	141
511-229	155	511-365	138	511-604HC	140	511-810BC	141
511-230	155	511-365HC	138	511-605	140	511-811	141
511-231	155	511-372	138	511-605HC	140	511-811BC	141
511-300	139	511-373	138	511-606	140	511-813	141
511-300BC	139	511-373HC	138	511-606HC	140	511-900	143
511-304	138	511-374	138	511-607	140	511-900BC	143
511-304BC	138	511-374HC	138	511-607HC	140	511-903	143
511-305	138	511-375	138	511-608	140	511-903BC	143
511-305BC	138	511-375HC	138	511-608HC	140	511-904	143
511-306	138	511-376	138	511-610	140	511-904BC	143
511-306BC	138	511-376HC	138	511-610BC	140	511-905	143
511-307	139	511-383	138	511-613	140	511-905BC	143
511-307BC	139	511-383HC	138	511-613HC	140	511-906	143
511-308	139	511-384	138	511-614	140	511-906BC	143
511-308BC	139	511-384HC	138	511-614HC	140	511-907	143
511-309	139	511-385	138	511-615	140	511-907BC	143
511-309BC	139	511-385HC	138	511-700	141	511-908	143
511-310	138	511-386	138	511-700HC	141	511-908BC	143
511-310HC	138	511-386HC	138	511-701	141	511-909	143
511-320	138	511-387	138	511-701HC	141	511-909BC	143
511-320HC	138	511-387HC	138	511-702	141	511-910	142
511-321	138	511-394	138	511-702HC	141	511-910HC	142
511-321HC	138	511-394BC	138	511-703	141	511-914	143
511-322	139	511-395	138	511-703HC	141	511-914BC	143
511-323	139	511-395BC	138	511-704	141	511-915	143
511-325	139	511-396	138	511-704HC	141	511-915BC	143
511-325BC	139	511-396BC	138	511-705	141	511-916	143
511-326	139	511-397	138	511-705HC	141	511-916BC	143
511-326BC	139	511-397BC	138	511-706	141	511-917	143
511-327	139	511-398	138	511-706HC	141	511-917BC	143
511-327BC	139	511-398BC	138	511-707	141	511-918	143
511-328	139	511-400	139	511-707HC	141	511-918BC	143
511-328BC	139	511-400HC	139	511-708	141	511-919	143
511-329	139	511-401	139	511-708HC	141	511-919BC	143
511-329BC	139	511-401HC	139	511-709	141	511-920	142
511-330	138	511-402	139	511-709BC	141	511-920HC	142
511-330HC	138	511-402HC	139	511-710	141	511-921	142
511-331	138	511-403	139	511-710BC	141	511-921HC	142
511-331HC	138	511-403HC	139	511-711	141	511-930	142

INDEX

511-930HC	142	511-997	143	520-154	129	520-300	131
511-931	142	511-997BC	143	520-154HC	129	520-300HC	131
511-931HC	142	511-998	143	520-157	130	520-301	131
511-932	142	511-998BC	143	520-157HC	130	520-301HC	131
511-932HC	142	520-000	129	520-163	129	520-302	131
511-937	143	520-000HC	129	520-164	129	520-302HC	131
511-938	143	520-001	129	520-164HC	129	520-303	131
511-939	143	520-001HC	129	520-165	130	520-303HC	131
511-940	142	520-002	129	520-165HC	130	520-304	131
511-940HC	142	520-002HC	129	520-173	130	520-304HC	131
511-941	142	520-003	129	520-174	130	520-305	131
511-941HC	142	520-003HC	129	520-174HC	130	520-305HC	131
511-942	142	520-004	129	520-176	130	520-306	131
511-942HC	142	520-004HC	129	520-176HC	130	520-306HC	131
511-943	142	520-005	129	520-183	130	520-307	131
511-943HC	142	520-005HC	129	520-184	130	520-307HC	131
511-951	142	520-006	129	520-185	130	520-308	131
511-951HC	142	520-006HC	129	520-185HC	130	520-308HC	131
511-952	142	520-007	129	520-186	130	520-309	131
511-952HC	142	520-007HC	129	520-186HC	130	520-309BC	131
511-953	142	520-008	129	520-187	130	520-310	131
511-953HC	142	520-008HC	129	520-187HC	130	520-310BC	131
511-954	142	520-009	129	520-193	130	520-311	131
511-954HC	142	520-009BC	129	520-193BC	130	520-311BC	131
511-961	142	520-010	129	520-194	130	520-322	132
511-962	142	520-010BC	129	520-194BC	130	520-322HC	132
511-963	142	520-011	129	520-195	130	520-330	132
511-963HC	142	520-011BC	129	520-195BC	130	520-331	132
511-964	142	520-013	129	520-196	130	520-331HC	132
511-964HC	142	520-110	129	520-196BC	130	520-334	133
511-965	142	520-111	130	520-197	130	520-334HC	133
511-965HC	142	520-111BC	130	520-197BC	130	520-335	133
511-971	142	520-112	130	520-198	130	520-338	133
511-972	142	520-112BC	130	520-198BC	130	520-338BC	133
511-973	142	520-113	130	520-200	131	520-388	133
511-973HC	142	520-113BC	130	520-200HC	131	520-388BC	133
511-974	142	520-115	130	520-201	131	520-433	133
511-974HC	142	520-115BC	130	520-201HC	131	520-433HC	133
511-975	142	520-116	130	520-202	131	520-434	133
511-975HC	142	520-116BC	130	520-202HC	131	520-434HC	133
511-976	142	520-117	130	520-203	131	520-435	133
511-976HC	142	520-117BC	130	520-203HC	131	520-435HC	133
511-982	142	520-118	130	520-204	131	520-442	132
511-983	142	520-118BC	130	520-204HC	131	520-442HC	132
511-983HC	142	520-119	130	520-205	131	520-444	132
511-984	142	520-119BC	130	520-205HC	131	520-444HC	132
511-984HC	142	520-120	129	520-206	131	520-445	133
511-985	142	520-121	129	520-206HC	131	520-445HC	133
511-985HC	142	520-121HC	129	520-207	131	520-446	133
511-986	142	520-130	129	520-207HC	131	520-533	133
511-986HC	142	520-131	129	520-208	131	520-533HC	133
511-987	142	520-131HC	129	520-208HC	131	520-534	133
511-987HC	142	520-132	129	520-209	131	520-534HC	133
511-993	142	520-132HC	129	520-209BC	131	520-543	134
511-993BC	142	520-141	129	520-210	131	520-543HC	134
511-994	142	520-143	129	520-210BC	131	520-544	134
511-994BC	142	520-143HC	129	520-211	131	520-544HC	134
511-995	142	520-144	129	520-211BC	131	520-551	132
511-995BC	142	520-144HC	129	520-220	132	520-552	132
511-996	143	520-151	129	520-221	132	520-556	134
511-996BC	143	520-152	129	520-229	132	520-556HC	134

520-557	134	520-737	134	520-866	135	521-001	137
520-558	134	520-737HC	134	520-867	135	521-002	137
520-600	132	520-743	132	520-868	135	521-003	137
520-600HC	132	520-743HC	132	520-874	135	521-003HC	137
520-601	132	520-744	134	520-875	135	521-004	137
520-601HC	132	520-746	134	520-876	135	521-004HC	137
520-602	132	520-747	134	520-877	135	521-005	137
520-602HC	132	520-748	134	520-878	135	521-005HC	137
520-603	132	520-753	132	520-884	133	521-006	137
520-603HC	132	520-753HC	132	520-886	133	521-006HC	137
520-604	132	520-754	132	520-886HC	133	521-007	137
520-604HC	132	520-754HC	132	520-889	135	521-007HC	137
520-605	132	520-755	134	520-900	136	521-008	137
520-605HC	132	520-756	134	520-901	136	521-008HC	137
520-606	132	520-757	134	520-901HC	136	521-009	137
520-606HC	132	520-757HC	134	520-902	136	521-009BC	137
520-607	132	520-758	134	520-902HC	136	521-010	137
520-607HC	132	520-759	134	520-903	136	521-010BC	137
520-608	132	520-763	134	520-903HC	136	521-011	137
520-608HC	132	520-764	134	520-904	136	521-011BC	137
520-609	132	520-764HC	134	520-904HC	136	521-200	137
520-609BC	132	520-765	132	520-905	136	521-200HC	137
520-610	132	520-765HC	132	520-905HC	136	521-201	137
520-610BC	132	520-766	133	520-906	136	521-201HC	137
520-611	132	520-766HC	133	520-906HC	136	521-202	137
520-611BC	132	520-767	135	520-907	136	521-202HC	137
520-613	132	520-768	135	520-907HC	136	521-203	137
520-633	134	520-768HC	135	520-909	136	521-203HC	137
520-634	134	520-769	135	520-909BC	136	521-204	137
520-635	134	520-769HC	135	520-934	133	521-204HC	137
520-635HC	134	520-772	133	520-934BC	133	521-205	137
520-636	134	520-773	133	520-935	133	521-205HC	137
520-636HC	134	520-773HC	133	520-935BC	133	521-206	137
520-643	134	520-774	133	520-936	133	521-206HC	137
520-644	134	520-774HC	133	520-936BC	133	521-207	137
520-644HC	134	520-776	133	520-937	133	521-207HC	137
520-645	134	520-776HC	133	520-937BC	133	521-208	137
520-645HC	134	520-778	135	520-939	133	521-208HC	137
520-646	134	520-783	133	520-939BC	133	521-209	137
520-646HC	134	520-785	133	520-945	133	521-209BC	137
520-653	134	520-785HC	133	520-945BC	133	521-210	137
520-653HC	134	520-787	133	520-946	133	521-210BC	137
520-654	134	520-787HC	133	520-946BC	133	521-211	137
520-654HC	134	520-793	134	520-947	133	521-211BC	137
520-655	134	520-793HC	134	520-947BC	133	521-213	137
520-655HC	134	520-803	136	520-948	133	521-220	155
520-656	134	520-803HC	136	520-948BC	133	521-222	155
520-656HC	134	520-804	136	520-949	133	521-222	155
520-657	134	520-804HC	136	520-949BC	133	521-223	155
520-658	134	520-805	136	520-993	133	521-224	155
520-659	134	520-806	136	520-993BC	133	521-225	155
520-662	132	520-813	136	520-994	133	521-226	155
520-663	132	520-814	136	520-994BC	133	521-227	155
520-663HC	132	520-815	136	520-995	133	521-228	155
520-664	132	520-838	135	520-995BC	133	521-229	155
520-664HC	132	520-844	135	520-996	133	521-230	155
520-683	135	520-848	135	520-996BC	133	521-231	155
520-684	135	520-855	135	520-997	133	521-300	139
520-734	134	520-857	135	520-997BC	133	521-300BC	139
520-735	134	520-858	135	520-998	133	521-304	138
520-736	134	520-865	135	520-998BC	133	521-304BC	138

INDEX

521-305	138	521-376	138	521-613	140	521-907	143
521-305BC	138	521-376HC	138	521-614	140	521-907BC	143
521-306	138	521-383	138	521-700	141	521-908	143
521-306BC	138	521-384	138	521-700HC	141	521-908BC	143
521-307	139	521-385	138	521-701	141	521-909	143
521-307BC	139	521-385HC	138	521-701HC	141	521-909BC	143
521-308	139	521-386	138	521-702	141	521-910	142
521-308BC	139	521-386HC	138	521-702HC	141	521-910HC	142
521-309	139	521-387	138	521-703	141	521-914	143
521-309BC	139	521-387HC	138	521-703HC	141	521-914BC	143
521-310	138	521-394	138	521-704	141	521-915	143
521-310HC	138	521-394BC	138	521-704HC	141	521-915BC	143
521-320	138	521-395	138	521-705	141	521-916	143
521-320HC	138	521-395BC	138	521-705HC	141	521-916BC	143
521-321	138	521-396	138	521-706	141	521-917	143
521-321HC	138	521-396BC	138	521-706HC	141	521-917BC	143
521-322	139	521-397	138	521-707	141	521-918	143
521-323	139	521-397BC	138	521-707HC	141	521-918BC	143
521-325	139	521-398	138	521-708	141	521-919	143
521-325BC	139	521-398BC	138	521-708HC	141	521-919BC	143
521-326	139	521-400	139	521-709	141	521-920	142
521-326BC	139	521-400HC	139	521-709BC	141	521-920HC	142
521-327	139	521-401	139	521-710	141	521-921	142
521-327BC	139	521-401HC	139	521-710BC	141	521-921HC	142
521-328	139	521-402	139	521-711	141	521-930	142
521-328BC	139	521-402HC	139	521-711BC	141	521-930HC	142
521-329	139	521-403	139	521-800	141	521-931	142
521-329BC	139	521-403HC	139	521-800HC	141	521-931HC	142
521-330	138	521-404	139	521-801	141	521-932	142
521-330HC	138	521-404HC	139	521-801HC	141	521-932HC	142
521-331	138	521-405	139	521-802	141	521-937	143
521-331HC	138	521-405HC	139	521-802HC	141	521-938	143
521-332	138	521-406	139	521-803	141	521-939	143
521-332HC	138	521-406HC	139	521-803HC	141	521-940	142
521-340	138	521-407	139	521-804	141	521-940HC	142
521-341	138	521-407HC	139	521-804HC	141	521-941	142
521-341HC	138	521-408	139	521-805	141	521-941HC	142
521-342	138	521-408HC	139	521-805HC	141	521-942	142
521-342HC	138	521-409	139	521-806	141	521-942HC	142
521-343	138	521-409BC	139	521-806HC	141	521-943	142
521-343HC	138	521-410	139	521-807	141	521-943HC	142
521-351	138	521-410BC	139	521-807HC	141	521-951	142
521-352	138	521-411	139	521-808	141	521-951HC	142
521-353	138	521-411BC	139	521-808HC	141	521-952	142
521-353HC	138	521-413	139	521-809	141	521-952HC	142
521-354	138	521-602	140	521-809BC	141	521-953	142
521-354HC	138	521-602HC	140	521-810	141	521-953HC	142
521-362	138	521-603	140	521-810BC	141	521-954	142
521-363	138	521-603HC	140	521-811	141	521-954HC	142
521-363HC	138	521-604	140	521-811BC	141	521-961	142
521-364	138	521-604HC	140	521-813	141	521-962	142
521-364HC	138	521-605	140	521-900	143	521-963	142
521-365	138	521-605HC	140	521-900BC	143	521-963HC	142
521-365HC	138	521-606	140	521-903	143	521-964	142
521-372	138	521-606HC	140	521-903BC	143	521-964HC	142
521-373	138	521-607	140	521-904	143	521-965	142
521-373HC	138	521-607HC	140	521-904BC	143	521-965HC	142
521-374	138	521-608	140	521-905	143	521-971	142
521-374HC	138	521-608HC	140	521-905BC	143	521-972	142
521-375	138	521-610	140	521-906	143	521-973	142
521-375HC	138	521-610BC	140	521-906BC	143	521-973HC	142

521-974	142	560-060HC	145	562-050	146	564-000P100	156
521-974HC	142	560-070	145	562-050HN	146	564-000P25	157
521-975	142	560-080	145	562-055	146	564-000P66	157
521-975HC	142	560-080HC	145	562-055HC	146	564-000R	155
521-976	142	560-090	145	562-060	146	564-001	148
521-976HC	142	560-100	145	562-060HN	146	564-001HN	148
521-982	142	560-100HC	145	562-070	146	564-015	148
521-983	142	560-110	145	562-070HC	146	564-015HN	148
521-983HC	142	560-120	145	562-080	146	564-020	148
521-984	142	560-120HC	145	562-080HC	146	564-020HN	148
521-984HC	142	561-000P100	156	562-090	146	564-025	148
521-985	142	561-000R	155	562-100	146	564-025HN	148
521-985HC	142	561-001	145	562-100HC	146	564-030	148
521-986	142	561-001HN	145	562-110	146	564-030HN	148
521-986HC	142	561-015	145	562-120	146	564-035	148
521-987	142	561-015HN	145	562-120HC	146	564-035HN	148
521-987HC	142	561-020	145	563-000	156	564-040	148
521-993	142	561-020HN	145	563-000P100	156	564-040HN	148
521-993BC	142	561-025	145	563-000P25	157	564-045	148
521-994	142	561-025HC	145	563-000P66	157	564-045HN	148
521-994BC	142	561-030	145	563-000R	155	564-050	148
521-995	142	561-030HN	145	563-001	147	564-050HN	148
521-995BC	142	561-035	145	563-001HN	147	564-055	148
521-996	143	561-035HC	145	563-015	147	564-055HC	148
521-996BC	143	561-040	145	563-015HN	147	564-060	148
521-997	143	561-040HN	145	563-020	147	564-060HN	148
521-997BC	143	561-045	145	563-020HN	147	564-065	148
521-998	143	561-045HC	145	563-025	147	564-070	148
521-998BC	143	561-050	145	563-025HN	147	564-070HC	148
550-005NL	159	561-050HN	145	563-030	147	564-075	148
550-007NL	159	561-055	145	563-030HN	147	564-080	148
553-005NL	160	561-055HC	145	563-035	147	564-080HN	148
553-007NL	160	561-060	146	563-035HN	147	564-085	148
553-008NL	160	561-060HN	146	563-040	147	564-090	148
557-005NL	162	561-070	146	563-040HN	147	564-095	148
557-007NL	162	561-080	146	563-045	147	564-100	148
559-005NL	163	561-080HC	146	563-045HN	147	564-100HN	148
559-007NL	163	561-090	146	563-050	147	564-105	148
560-000P100	156	561-100	146	563-050HN	147	564-105	150
560-000R	155	561-100HC	146	563-055	147	564-110	148
560-001	145	561-110	146	563-060	147	564-110	150
560-001HC	145	561-120	146	563-060HN	147	564-115	148
560-015	145	561-120HC	146	563-065	147	564-115	150
560-015HC	145	562-000P100	156	563-070	147	564-115	152
560-020	145	562-000R	155	563-070HC	147	564-120	148
560-020HC	145	562-001	146	563-075	147	564-120	150
560-025	145	562-001HN	146	563-080	147	564-120	152
560-025HC	145	562-015	146	563-080HN	147	564-1200PE30HC	177
560-030	145	562-015HC	146	563-085	147	564-120HN	148
560-030HC	145	562-020	146	563-090	147	564-120HN	150
560-035	145	562-020HN	146	563-090HC	147	564-120HN	152
560-035HC	145	562-025	146	563-095	147	564-240PE30HC	177
560-040	145	562-025HC	146	563-100	147	564-360PE30HC	177
560-040HC	145	562-030	146	563-100HN	147	564-720PE30HC	177
560-045	145	562-030HN	146	563-105	147	565-000	156
560-045HC	145	562-035	146	563-110	147	565-000P25	157
560-050	145	562-035HC	146	563-110HC	147	565-000P60	157
560-050HC	145	562-040	146	563-115	147	565-000R	155
560-055	145	562-040HN	146	563-120	147	565-001	149
560-055HC	145	562-045	146	563-120HN	147	565-001HN	149
560-060	145	562-045HC	146	564-000	156	565-020	149

INDEX

565-020HN	149	566-085	150	568-040HN	152	570-080	153
565-025	149	566-090	150	568-045	152	570-080BC	153
565-025HC	149	566-100	150	568-045HC	152	570-090	153
565-030	149	566-100HN	150	568-050	152	570-100	153
565-030HN	149	566-110	150	568-050HN	152	570-100BC	153
565-035	149	566-120	150	568-055	152	570-110	153
565-035HC	149	566-1200PE30HC	177	568-055HC	152	570-120	153
565-040	149	566-120HN	150	568-060	152	570-120BC	153
565-040HN	149	566-240PE30HC	177	568-060HN	152	571-001	154
565-045	149	566-360PE30HC	177	568-065	152	571-001BC	154
565-045HC	149	566-720PE30HC	177	568-070	152	571-035	154
565-050	149	567-000	156	568-075	152	571-040	154
565-050HN	149	567-000P25	157	568-080	152	571-040BC	154
565-055	149	567-000R	155	568-080HN	152	571-045	154
565-055HC	149	567-001	151	568-085	152	571-050	154
565-060	149	567-001HN	151	568-090	152	571-050BC	154
565-060HN	149	567-020	151	568-095	152	571-055	154
565-065	149	567-020HN	151	568-100	152	571-060	154
565-070	149	567-025	151	568-100HN	152	571-060BC	154
565-070HC	149	567-025HC	151	568-105	152	571-070	154
565-075	149	567-030	151	568-110	152	571-080	154
565-080	149	567-030HN	151	568-115	152	571-080BC	154
565-080HN	149	567-035	151	568-120	152	571-090	154
565-085	149	567-035HC	151	568-120HN	152	571-100	154
565-090	149	567-040	151	569-001	153	571-100BC	154
565-095	149	567-040HN	151	569-001BC	153	571-110	154
565-100	149	567-045	151	569-030	153	571-120	154
565-100HN	149	567-045HC	151	569-030BC	153	571-120BC	154
565-105	149	567-050	151	569-035	153	573-001	154
565-110	149	567-050HN	151	569-040	153	573-040	154
565-115	149	567-055	151	569-040BC	153	573-045	154
565-120	149	567-055HC	151	569-045	153	573-050	154
565-120HN	149	567-060	151	569-050	153	573-055	154
566-000	156	567-060HN	151	569-050BC	153	573-060	154
566-000P25	157	567-065	151	569-055	153	573-080	154
566-000R	155	567-070	151	569-060	153	573-090	154
566-001	150	567-075	151	569-060BC	153	573-100	154
566-001HN	150	567-080	151	569-070	153	573-110	154
566-020	150	567-080HN	151	569-080	153	573-120	154
566-020HN	150	567-085	151	569-080BC	153	580-000P100	156
566-025	150	567-090	151	569-090	153	580-000R	155
566-025HC	150	567-095	151	569-100	153	580-001	145
566-030	150	567-100	151	569-100BC	153	580-001HC	145
566-030HN	150	567-100HN	151	569-110	153	580-015	145
566-035	150	567-105	151	569-120	153	580-015HC	145
566-035HC	150	567-110	151	569-120BC	153	580-020	145
566-040	150	567-115	151	570-001	153	580-020HC	145
566-040HN	150	567-120	151	570-001BC	153	580-025	145
566-045	150	567-120HN	151	570-025	153	580-025HC	145
566-045HC	150	568-000	156	570-030	153	580-030	145
566-050	150	568-000P25	157	570-030BC	153	580-030HC	145
566-050HC	150	568-000R	155	570-035	153	580-035	145
566-055	150	568-001	152	570-040	153	580-035HC	145
566-055HC	150	568-001HN	152	570-040BC	153	580-040	145
566-060	150	568-025	152	570-045	153	580-040HC	145
566-060HN	150	568-025HN	152	570-050	153	580-045	145
566-065	150	568-030	152	570-050BC	153	580-045HC	145
566-070	150	568-030HN	152	570-055	153	580-050	145
566-075	150	568-035	152	570-060	153	580-050HC	145
566-080	150	568-035HC	152	570-060BC	153	580-055	145
566-080HN	150	568-040	152	570-070	153	580-055HC	145

580-060	145	582-045HC	146	583-120HN	147	585-025HN	149
580-060HC	145	582-050	146	584-000	156	585-030	149
580-070	145	582-050HN	146	584-000P100	156	585-030HN	149
580-080	145	582-055	146	584-000P25	157	585-035	149
580-080HC	145	582-055HC	146	584-000R	155	585-035HN	149
580-090	145	582-060	146	584-001	148	585-040	149
580-100	145	582-060HN	146	584-001HN	148	585-040HN	149
580-100HC	145	582-070	146	584-015	148	585-045	149
580-110	145	582-070HC	146	584-015HN	148	585-045HN	149
580-120	145	582-080	146	584-020	148	585-050	149
580-120HC	145	582-080HC	146	584-020HN	148	585-050HN	149
581-000P100	156	582-090	146	584-025	148	585-055	149
581-000R	155	582-100	146	584-025HN	148	585-055HC	149
581-001	145	582-100HC	146	584-030	148	585-060	149
581-001HN	145	582-110	146	584-030HN	148	585-060HN	149
581-015	145	582-120	146	584-035	148	585-065	149
581-015HC	145	582-120HC	146	584-035HN	148	585-070	149
581-020	145	583-000	156	584-040	148	585-070HC	149
581-020HN	145	583-000P100	156	584-040HN	148	585-075	149
581-025	145	583-000P25	157	584-045	148	585-080	149
581-025HC	145	583-000P66	157	584-045HN	148	585-080HN	149
581-030	145	583-000R	155	584-050	148	585-085	149
581-030HN	145	583-001	147	584-050HN	148	585-090	149
581-035	145	583-001HN	147	584-055	148	585-095	149
581-035HC	145	583-015	147	584-055HC	148	585-100	149
581-040	145	583-015HN	147	584-060	148	585-100HN	149
581-040HN	145	583-020	147	584-060HN	148	585-105	149
581-045	145	583-020HN	147	584-065	148	585-110	149
581-045HC	145	583-025	147	584-070	148	585-115	149
581-050	145	583-025HN	147	584-070HC	148	585-120	149
581-050HN	145	583-030	147	584-075	148	585-120HN	149
581-055	145	583-030HN	147	584-080	148	586-000	156
581-055HC	145	583-035	147	584-080HN	148	586-000P25	157
581-060	146	583-035HC	147	584-085	148	586-000R	155
581-060HN	146	583-040	147	584-090	148	586-001	150
581-070	146	583-040HN	147	584-095	148	586-001HN	150
581-080	146	583-045	147	584-100	148	586-020	150
581-080HC	146	583-045HN	147	584-100HN	148	586-020HN	150
581-090	146	583-050	147	584-105	148	586-025	150
581-100	146	583-050HN	147	584-105	150	586-025HC	150
581-100HC	146	583-055	147	584-110	148	586-030	150
581-110	146	583-055HC	147	584-110	150	586-030HN	150
581-120	146	583-060	147	584-115	148	586-035	150
581-120HC	146	583-060HN	147	584-115	150	586-035HC	150
582-000P100	156	583-065	147	584-120	152	586-040	150
582-000R	155	583-070	147	584-120	150	586-040HN	150
582-001	146	583-070HC	147	584-120	152	586-045	150
582-001HN	146	583-075	147	584-120	152	586-045HC	150
582-015	146	583-080	147	584-120HN	148	586-050	150
582-015HC	146	583-080HN	147	584-120HN	150	586-050HC	150
582-020	146	583-085	147	584-120HN	152	586-055	150
582-020HN	146	583-090	147	585-000	156	586-055HC	150
582-025	146	583-090HN	147	585-000P25	157	586-060	150
582-025HC	146	583-095	147	585-000P60	157	586-060HN	150
582-030	146	583-100	147	585-000P66	157	586-065	150
582-030HN	146	583-100HN	147	585-000R	155	586-070	150
582-035	146	583-105	147	585-001	149	586-075	150
582-035HC	146	583-110	147	585-001HN	149	586-080	150
582-040	146	583-110HC	147	585-020	149	586-080HN	150
582-040HN	146	583-115	147	585-020HN	149	586-085	150
582-045	146	583-120	147	585-025	149	586-090	150

INDEX

586-100	150	588-055HC	152	590-120	153	611-603HC	52
586-100HN	150	588-060	152	590-120BC	153	611-604HC	52
586-110	150	588-060HN	152	591-001	154	611-605HC	52
586-120	150	588-065	152	591-001BC	154	620-003HC	52
586-120HN	150	588-070	152	591-035	154	620-004HC	52
587-000	156	588-075	152	591-040	154	620-005HC	52
587-000P25	157	588-080	152	591-040BC	154	630-001	59
587-000R	155	588-080HC	152	591-045	154	630-002	59
587-001	151	588-085	152	591-050	154	630-003	59
587-001HN	151	588-090	152	591-050BC	154	630-003HC	59
587-020	151	588-095	152	591-055	154	630-003PK8	59
587-020HN	151	588-100	152	591-060	154	630-004HC	59
587-025	151	588-100HC	152	591-060BC	154	630-004PK6	59
587-025HC	151	588-105	152	591-070	154	630-005HC	59
587-030	151	588-110	152	591-080	154	630-006	59
587-030HN	151	588-115	152	591-080BC	154	630-007	59
587-035	151	588-120	152	591-090	154	630-008	59
587-035HC	151	588-120HC	152	591-100	154	630-023	59
587-040	151	589-001	153	591-100BC	154	630-023HC	59
587-040HN	151	589-001BC	153	591-110	154	630-043HC	59
587-045	151	589-030	153	591-120	154	630-054HC	59
587-045HC	151	589-030BC	153	591-120BC	154	630-103HC	59
587-050	151	589-035	153	593-001	154	630-103PK8	59
587-050HC	151	589-040	153	593-040	154	630-104HC	59
587-055	151	589-040BC	153	593-045	154	630-105HC	59
587-055HC	151	589-045	153	593-050	154	630-106	59
587-060	151	589-050	153	593-055	154	630-107	59
587-060HN	151	589-050BC	153	593-060	154	630-108	59
587-065	151	589-055	153	593-080	154	630-134	59
587-070	151	589-060	153	593-090	154	630-134HC	59
587-075	151	589-060BC	153	593-100	154	630-154	59
587-080	151	589-070	153	593-110	154	630-154HC	59
587-080HN	151	589-080	153	593-120	154	630-203CBP	60
587-085	151	589-080BC	153	610-003HC	51	630-203HC	60
587-090	151	589-090	153	610-004HC	51	630-203PK8	60
587-095	151	589-100	153	610-005HC	51	630-204HC	60
587-100	151	589-100BC	153	610-203HC	51	630-205HC	60
587-100HN	151	589-110	153	610-204HC	51	630-206	60
587-105	151	589-120	153	610-433HC	51	630-207	60
587-110	151	589-120BC	153	610-434HC	51	630-208	60
587-115	151	590-001	153	610-443HC	51	630-223HC	60
587-120	151	590-001BC	153	610-503HC	51	630-234HC	60
587-120HN	151	590-025	153	610-504HC	51	630-303HC	60
588-000	156	590-030	153	610-553HC	51	630-304HC	60
588-000P25	157	590-030BC	153	610-554HC	51	630-305HC	60
588-000R	155	590-035	153	610-603HC	51	631-001	60
588-001	152	590-040	153	610-604HC	51	631-002	60
588-001HN	152	590-040BC	153	610-605HC	51	631-003	60
588-025	152	590-045	153	611-203HC	51	631-003HC	60
588-025HC	152	590-050	153	611-204HC	51	631-003PK6	60
588-030	152	590-050BC	153	611-205HC	51	631-004	60
588-030HN	152	590-055	153	611-223HC	52	631-004HC	60
588-035	152	590-060	153	611-224HC	52	631-005HC	60
588-035HC	152	590-060BC	153	611-343HC	52	631-006	60
588-040	152	590-070	153	611-354HC	52	631-007	60
588-040HN	152	590-080	153	611-403HC	52	631-008	60
588-045	152	590-080BC	153	611-404HC	52	631-043	60
588-045HC	152	590-090	153	611-405HC	52	631-043HC	60
588-050	152	590-100	153	611-503HC	52	631-054	60
588-050HN	152	590-100BC	153	611-504HC	52	631-054HC	60
588-055	152	590-110	153	611-505HC	52	631-103HC	61

631-104HC	61	640-223HC	65	641-833HC	68	651-003PK6	55
631-203HC	61	640-243HC	65	641-844HC	68	651-004HC	55
631-303HC	61	640-245HC	65	642-000	68	652-003HC	56
632-001	61	640-310	65	642-000BG	68	652-004HC	56
632-002	61	640-310BG	66	642-110	68	653-003HC	56
632-003	61	640-311	65	642-111	68	653-003PK8	56
632-003HC	61	640-311BG	66	642-111BG	68	653-004HC	56
632-004	61	640-312	65	642-222	68	660-003HC	73
632-004HC	61	640-312BG	66	642-222HC	68	660-004HC	73
632-005HC	61	640-313	65	642-330HC	68	660-403HC	73
632-433HC	61	640-313BG	66	642-333HC	68	660-404HC	73
632-434HC	61	640-321	65	642-433HC	68	660-503HC	73
632-443	61	640-321BG	66	642-443HC	68	660-504HC	73
632-443HC	61	640-322	65	642-444HC	68	661-003HC	73
632-554HC	61	640-322BG	66	642-930HC	68	661-004HC	73
633-001	62	640-323	65	642-943HC	68	661-203HC	73
633-002	62	640-323BG	66	642-944HC	68	661-204HC	73
633-003HC	62	640-423	65	643-000	69	661-503HC	73
633-003PK8	62	640-423HC	65	643-001	69	661-504HC	73
633-004HC	62	640-433HC	65	643-002	69	670-104HC	169
633-005	62	640-434HC	65	643-003HC	69	670-106HC	169
633-005HC	62	640-444HC	65	643-004HC	69	670-404HC	169
633-006	62	640-455HC	65	643-005HC	69	670-406HC	169
633-007	62	640-511	66	644-013HC	69	671-604HC	169
633-008	62	640-521	66	644-100	69	671-606HC	169
634-103HC	62	640-523	66	644-100BG	69	671-904HC	171
634-104HC	62	640-623HC	66	644-103HC	69	671-906HC	171
634-203HC	62	640-633HC	66	644-111	69	672-406HC	170
634-204HC	62	640-634HC	66	644-122HC	69	672-504HC	170
635-003	62	640-644HC	66	644-123HC	69	672-506HC	170
635-004	62	640-714	66	644-133HC	69	672-536HC	170
636-001	63	640-734HC	66	644-144HC	69	672-706HC	169
636-002	63	640-802	66	644-213HC	69	672-804HC	170
636-003HC	63	640-803HC	66	644-223HC	69	672-806HC	170
636-004HC	63	640-853HC	66	644-313HC	69	672-906HC	169
636-005	63	640-903HC	67	644-411	69	673-006HC	171
636-005HC	63	640-904HC	67	644-411BG	69	673-104HC	172
636-006	63	641-011	67	644-422	69	673-106HC	172
636-007	63	641-011BG	67	644-630HC	70	673-204HC	172
636-009	63	641-022	67	644-640HC	70	673-206HC	172
636-102HC	63	641-022BG	67	645-000HC	70	673-406HC	173
636-103HC	63	641-122	67	645-001HC	70	673-804HC	172
636-104HC	63	641-122HC	67	645-230HC	70	673-806HC	172
636-105HC	63	641-133HC	67	645-231HC	70	674-004HC	173
637-003HC	59	641-143HC	67	645-330	70	674-006HC	173
637-004HC	59	641-144HC	67	645-331	70	674-304HC	173
640-011BG	66	641-155HC	67	645-400	70	674-306HC	173
640-021BG	66	641-210	67	648-900	65	674-406HC	173
640-022BG	66	641-211	67	650-003HC	55	674-506HC	173
640-023	65	641-211BG	67	650-003PK8	55	674-606HC	172
640-024BG	66	641-212	67	650-004HC	55	674-706HC	169
640-025BG	66	641-221	67	650-004PK6	55	674-804HC	174
640-122HC	65	641-221BG	67	650-103HC	55	674-806HC	174
640-131HC	65	641-222	67	650-103PK8	55	674-904HC	171
640-132HC	65	641-222BG	67	650-104HC	55	674-906HC	171
640-133BG	65	641-233	67	650-203HC	55	675-206HC	172
640-133HC	65	641-333HC	67	650-203PK8	55	675-306HC	170
640-143HC	65	641-433HC	67	650-204HC	55	675-406HC	170
640-144HC	65	641-534HC	67	650-303HC	55	675-506HC	170
640-154HC	65	641-634HC	67	650-304HC	55	675-605HC	171
640-155HC	65	641-733HC	68	651-003HC	55	675-804HC	171

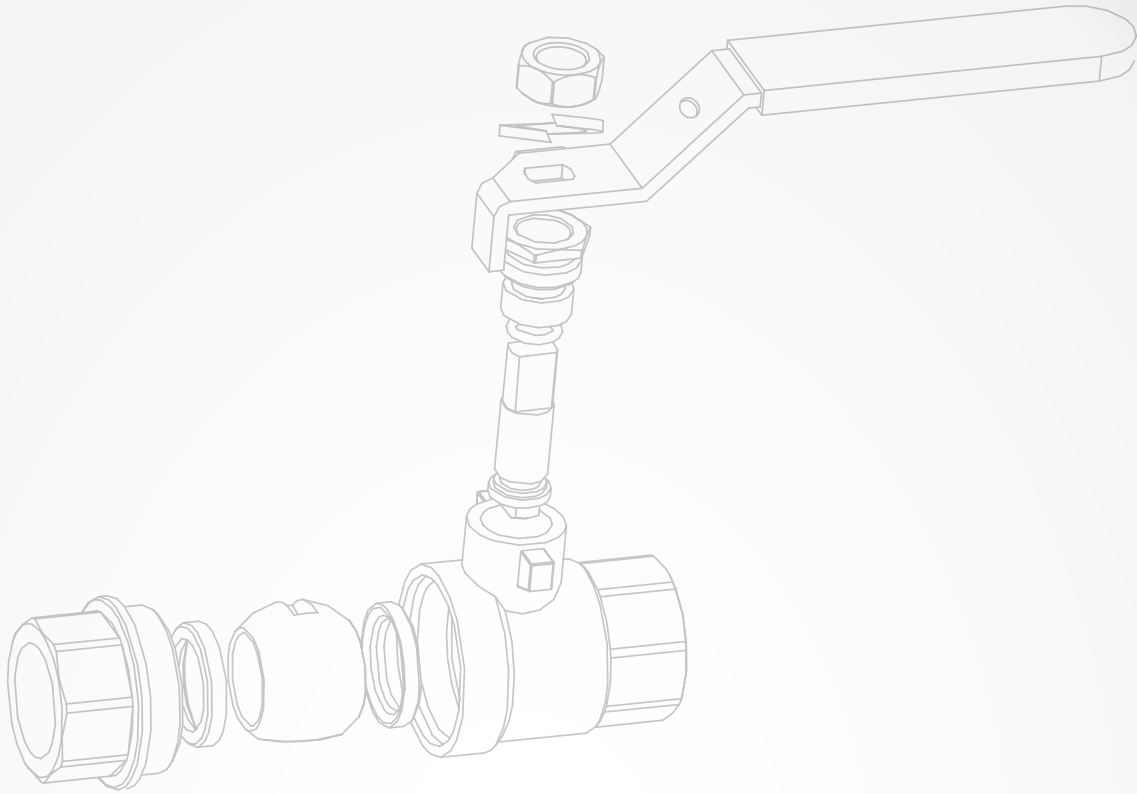
INDEX

675-806HC	171	888-576HC	23	BF-769NL	179	BN-741NL	180
676-104HC	171	888-576RP	23	BF-773NL	181	BN-742NL	180
676-106HC	171	888-577HC	23	BF-776NL	179	BN-743NL	180
676-504HC	172	888-738	23	BF-778NL	179	BN-746NL	180
676-506HC	172	888-856RP	11	BF-782NL	181	BN-750NL	180
676-704HC	174	888-857RP	11	BF-805NL	180	BN-783NL	180
676-706HC	174	888-858RP	11	BF-808NL	181	BN-785NL	180
676-804HC	174	888-859RP	11	BF-810NL	179	BN-786NL	180
676-806HC	174	888-860RP	11	BF-813NL	179	BN-787NL	180
676-904HC	174	888-861RP	11	BF-815NL	179	BN-788NL	180
676-906HC	174	889-557	24	BF-819NL	179	BN-833NL	180
677-304HC	174	889-558	24	BF-823NL	181	BN-835NL	180
677-306HC	174	889-560	24	BF-826NL	179	BN-836NL	180
677-604HC	171	889-561	24	BF-827NL	179	BN-837NL	180
677-606HC	171	992-011	109	BF-828NL	179	BN-838NL	180
678-204HC	173	992-012	109	BF-832NL	181	BN-841NL	180
678-206HC	173	992-016	42	BF-855NL	180	BN-845NL	180
678-404HC	173	993-000	42	BF-858NL	181	BN-875NL	180
678-406HC	173	993-001NL	42	BF-862NL	179	BN-877NL	180
679-804HC	174	993-003	108	BF-865NL	179	BN-878NL	180
679-806HC	174	993-004NL	11	BF-868NL	179	BN-879NL	180
679-904HC	172	993-012	42	BF-869NL	181	BN-883NL	180
679-906HC	172	993-014NL	11	BF-870NL	179	BN-915NL	180
888-001HN	21	993-015NL	34	BF-876NL	181	BN-919NL	180
888-002	21	993-016NL	34	BF-905NL	179	BP001034050R	197
888-003	21	993-017NL	34	BF-911NL	179	BP002112050R	197
888-004	21	993-018NL	34	BHB-190NL	191	BP134114006C	200
888-009	22	993-019NL	34	BHB-192BNL	190	BP134114050R	197
888-120HC	19	993-020NL	34	BHB-192NL	190	BP158118050R	197
888-137RP	19	993-113	108	BHB-193CNL	190	BR001034050B	198
888-184	22	993-114	108	BHB-193NL	190	BR001034050R	195
888-209HC	23	994-004	110	BHB-195	192	BR001034075R	195
888-221RP	23	994-005	110	BHB-197ANL	191	BR002112025R	195
888-233	119	994-006	110	BHB-197NL	191	BR002112050R	195
888-234	119	995-000	110	BHB-201ANL	191	BR012014100R	195
888-239	119	995-000BP	110	BHB-201BNL	190	BR012014250R	195
888-240	119	995-001	110	BHB-201NL	190	BR034012010H	200
888-241	119	AH012014050R	196	BHB-290NL	191	BR034012050R	195
888-293	97	AH058038010C	199	BHB-293NL	190	BR034012100B	198
888-294	97	AH058038150R	196	BHB-294NL	190	BR034012100R	195
888-295	97	AV-664NL	186	BHB-298CNL	191	BR058038010H	200
888-352	23	AV-666NL	186	BHB-298NL	191	BR058038100B	198
888-554	22	BF-2090NL	181	BHB-300ANL	190	BR058038100R	195
888-555	22	BF-2091NL	181	BHB-380NL	191	BR058038150R	195
888-556	22	BF-700NL	180	BHB-382	192	BR078058050R	195
888-557	22	BF-704NL	181	BHB-385NL	190	BR078058075R	195
888-558	22	BF-706NL	179	BHB-385SHNL	190	BR078058100B	198
888-559	22	BF-710NL	181	BHB-390NL	191	BR134114050R	195
888-560	21	BF-712NL	181	BHB-396NL	191	BR138001025R	195
888-561	21	BF-727NL	180	BHB-490NL	191	BR138001050B	198
888-562	21	BF-730NL	181	BHB-493NL	190	BR138001050R	195
888-563	21	BF-732NL	179	BHB-495NL	191	BR212002025R	195
888-564	21	BF-734NL	179	BHB-85NL	190	BV001034100R	195
888-565	22	BF-736NL	179	BHB-95NL	191	BV012038100R	195
888-566	22	BF-737NL	181	BHB-96NL	190	BV058012100R	195
888-570HC	23	BF-738NL	179	BN-715NL	180	C10-050HC	123
888-571HC	23	BF-739NL	181	BN-716NL	180	C10-075HC	123
888-572HC	23	BF-755NL	180	BN-717NL	180	C10-100HC	123
888-573HC	23	BF-758NL	181	BN-721NL	180	C13-038HC	123
888-574HC	23	BF-760NL	179	BN-729NL	180	C13-050HC	123
888-575HC	23	BF-765NL	179	BN-740NL	180	C13-075HC	123

C13-100HC.....	123	CP-205NL.....	182	CP034058100B.....	198	FL-182.....	189
C13-125HC.....	123	CP-209NL.....	185	CP034058100R.....	195	FL-183.....	189
C13-150HC.....	123	CP-210NL.....	185	CP038014010H.....	200	FL-184.....	189
C13-200HC.....	123	CP-218NL.....	183	CP038014020C.....	199	FL-186.....	187
C15-125HC.....	123	CP-21ANL.....	183	CP038014100B.....	198	FL-186B.....	187
C20-124HC.....	123	CP-21BNL.....	183	CP038014100R.....	195	FL-189.....	189
C22-075HC.....	123	CP-220NL.....	183	CP038014250R.....	195	FL-259.....	188
C23-050HC.....	123	CP-221NL.....	183	CP058012010C.....	199	FL-260.....	187
C72-038HC.....	124	CP-22NL.....	183	CP058012010H.....	200	FL-262.....	187
C72-050HC.....	124	CP-230NL.....	182	CP058012100B.....	198	FL-263.....	186
C72-075HC.....	124	CP-23NL.....	183	CP058012100R.....	195	FL-268.....	188
C72-100HC.....	124	CP-24NL.....	183	CP078058100B.....	198	FL-268SF.....	188
C82-050HC.....	124	CP-25NL.....	183	CP078058100R.....	195	FL-269.....	188
C82-075HC.....	124	CP-29NL.....	183	CP114001050B.....	198	FL-271.....	188
C82-100HC.....	124	CP-2ANL.....	184	CP114001050R.....	195	FL-272.....	187
C83-050HC.....	124	CP-2NL.....	184	CP114001100R.....	195	FL-273.....	186
C83-075HC.....	124	CP-302NL.....	184	CP158114025R.....	195	FL-274.....	186
C83-100HC.....	124	CP-303NL.....	184	CP158114050R.....	195	FL-276.....	189
CP-101NL.....	184	CP-305NL.....	182	CP178112050R.....	195	FL-277.....	189
CP-102NL.....	184	CP-309NL.....	185	CP316018100B.....	198	FL-279.....	187
CP-103NL.....	184	CP-30NL.....	183	CP316018400R.....	195	FL-280.....	187
CP-104NL.....	184	CP-310NL.....	185	CP516316010H.....	200	FL-281.....	187
CP-105NL.....	182	CP-318NL.....	185	CP516316020C.....	199	FL-283.....	187
CP-107NL.....	184	CP-319NL.....	183	CP516316100B.....	198	FL-335.....	187
CP-108NL.....	184	CP-324NL.....	183	CP516316300R.....	195	FL-338.....	187
CP-109NL.....	185	CP-3NL.....	184	CP716516010H.....	200	FL-342.....	186
CP-10NL.....	185	CP-402ANL.....	184	CP716516100B.....	198	FL-360.....	186
CP-110NL.....	185	CP-41NL.....	186	CP716516100R.....	195	FL-370.....	189
CP-113NL.....	185	CP-42NL.....	186	CP716516200R.....	195	FL-371.....	189
CP-114NL.....	185	CP-4NL.....	184	CP916038100B.....	198	FL-462SF.....	187
CP-115NL.....	183	CP-50NL.....	185	CP916038100R.....	195	FL-55.....	187
CP-116NL.....	183	CP-524NL.....	183	DH000002100R.....	196	FL-59.....	188
CP-117NL.....	183	CP-5NL.....	182	DH000002150R.....	196	FL-60.....	187
CP-118NL.....	183	CP-8NL.....	184	DH000112100R.....	196	FL-63.....	186
CP-121NL.....	183	CP-90NL.....	184	DH000112150R.....	196	FL-64.....	187
CP-122NL.....	183	CP-91NL.....	184	DW001058050R.....	197	FL-65.....	188
CP-123NL.....	183	CP-92ANL.....	185	DW114078002C.....	199	FL-68.....	188
CP-124NL.....	183	CP-92BNL.....	185	DW114078025R.....	197	FL-73.....	186
CP-128NL.....	183	CP-92CNL.....	183	FH012014010C.....	199	FL-75.....	186
CP-129NL.....	183	CP-92DNL.....	183	FH012014100R.....	196	FL-76.....	186
CP-12NL.....	185	CP-92NL.....	184	FH014018100R.....	196	FL-76SF.....	186
CP-130NL.....	183	CP-9ANL.....	185	FH014764100R.....	196	FL-79.....	189
CP-140NL.....	186	CP001034025B.....	198	FH058038050R.....	196	FL-80.....	189
CP-141NL.....	185	CP001034050R.....	195	FH058516100R.....	196	FL-80D.....	189
CP-14NL.....	183	CP001034075R.....	195	FH316332100R.....	196	FL-80E.....	189
CP-152NL.....	184	CP012038010H.....	200	FL-134.....	187	FL-80F.....	189
CP-154NL.....	185	CP012038020C.....	199	FL-159.....	188	FL-80SF.....	187
CP-155NL.....	182	CP012038100B.....	198	FL-160.....	187	FL-81A.....	187
CP-156NL.....	185	CP012038100R.....	195	FL-161.....	188	G012-10RP.....	49
CP-157NL.....	182	CP012516100B.....	198	FL-162.....	187	G012-11RP.....	49
CP-158NL.....	182	CP012516150R.....	195	FL-163.....	186	G012-14RP.....	49
CP-15NL.....	183	CP014017010H.....	200	FL-164.....	187	G012-15RP.....	49
CP-165SCNL.....	184	CP014017020C.....	199	FL-165.....	188	G012SS101012.....	45
CP-16NL.....	183	CP014017150R.....	195	FL-165B.....	188	G012SS101018.....	45
CP-173SCNL.....	184	CP014017400R.....	195	FL-168.....	188	G012SS101024.....	45
CP-18NL.....	183	CP014018100B.....	198	FL-168B.....	187	G012SS101036.....	45
CP-19NL.....	183	CP034012075R.....	195	FL-169.....	187	G012SS101048.....	45
CP-1NL.....	184	CP034012100B.....	198	FL-175.....	186	G012SS101060.....	45
CP-202NL.....	184	CP034058010C.....	199	FL-176.....	186	G012SS101112.....	45
CP-203NL.....	184	CP034058010H.....	200	FL-177.....	186	G012SS101118.....	45
CP-204NL.....	184	CP034058050R.....	195	FL-181.....	189	G012SS101124.....	45

INDEX

G012SS101136	45	G038SS101148RP	46	GH-677	190	PE012038100B	198
G012SS101148	45	G038SS103118	46	GH-679	190	PE012038100R	196
G012SS101160	45	G038SS103124	46	GH-680	190	PE012038200R	196
G012SS101436	45	G038SS103136	46	GH-683	189	PE014017015H	200
G012SS101436RP	45	G038YE101018	47	GH-684	189	PE014017025C	199
G012SS101448RP	45	G038YE101024	47	GH-685	189	PE014017100B	198
G012SS111118	46	G038YE101036	47	GH-695	190	PE014017150R	196
G012SS111124	46	G038YE101048	47	GH-696	190	PE014017400R	196
G012SS111136	46	G038YE101124	47	GH034058150R	197	PE038014015H	200
G012SS111148	46	G038YE101124RP	47	HH001034010C	199	PE038014025C	199
G012SS151524RP	46	G038YE101136	47	HH001034075R	196	PE038014100B	198
G012SS151536RP	46	G038YE101136RP	47	HH078058010C	199	PE038014100R	196
G012SS151548RP	46	G038YE101148	47	HH078058100R	196	PE038014300R	196
G012YE101018	46	G038YE101148RP	47	LT038014010C	200	PE058012100B	198
G012YE101024	46	G10-050HC	124	LT038014050R	198	PE058012100R	196
G012YE101036	46	G10-075HC	124	NHB-187A	192	PE516316010C	199
G012YE101036RP	46	G10-100HC	124	NHB-187B	192	PE516316100B	198
G012YE101048	46	G13-038HC	124	NHB-191	192	PE516316300R	196
G012YE101048RP	46	G13-050HC	124	NHB-193	191	PH158114050R	197
G012YE101112	46	G13-075HC	124	NHB-199	191	PH181112025R	197
G012YE101118	46	G13-100HC	124	NHB-291	192	PH181112050R	197
G012YE101124	46	G13-125HC	124	NHB-295	191	SH184112050R	197
G012YE101136	46	G13-150HC	124	NHB-296	191	SH237002025R	197
G012YE101148	46	G13-200HC	124	NHB-300	191	SP001012100R	197
G012YE103118	46	G18-050HC	125	NHB-381	192	SP105034100R	197
G012YE103124	46	G18-075HC	125	NHB-387	191	SP131001050R	197
G012YE103136	46	G20-1024HC	125	NHB-394	191	SP166114050R	197
G012YE103148	46	G20-124HC	125	NHB-395	191	SP190112025R	197
G012YE111136	46	G20-128HC	125	NHB-480	192	SP190112050R	197
G012YE111148	46	G20-524HC	125	NHB-486	191	SP214002025R	197
G012YE141436	46	G60-038HC	125	NHB-585	192	UH034012010C	200
G012YE141448	46	G60-050HC	125	NHB-590	191	UH034012100R	198
G012YE141518	46	G65-050HC	125	NHB-591	191	UH118034075R	198
G012YE141524	46	G65-075HC	125	NHB-620	192	V30-150HC	127
G012YE141536	46	G65-100HC	125	NHB-630	192	V30-200HC	127
G012YE141536RP	46	G65-125HC	125	NHB-635	191	V30-300HC	127
G012YE151536RP	46	G65-150HC	125	NHB-640	192	V30-400HC	127
G012YE151548RP	46	G65-200HC	125	NHB-645	191	W034CU101012	45
G012YE151560RP	46	G72-050HC	125	P01-050HC	126	W034CU101015	45
G014-10RP	49	G72-075HC	125	P01-075HC	126	W034CU101018	45
G014-11RP	49	G72-100HC	125	P01-100HC	126	W034CU101024	45
G014-12RP	49	G72-125HC	125	P01-125HC	126	W034SS101012	45
G014-13RP	49	G72-150HC	125	P02-150HC	126	W034SS101015	45
G014SS101036	46	G72-200HC	125	P02-200HC	126	W034SS101018	45
G014SS101118RP	46	G80-038HC	126	P02-300HC	126	W034SS101024	45
G014SS101136RP	46	G85-300HC	126	P02-400HC	126	W034SS101218	45
G014SS101148RP	46	G85-500HC	126	P20-100HC	126	W100SS121218	45
G014YE101018	46	G85-900HC	126	P20-250HC	126		
G014YE101124RP	46	G86-800HC	126	P20-500HC	126		
G014YE101136	47	GH-491	189	P24-050HC	127		
G014YE101136RP	47	GH-492	189	P24-075HC	127		
G014YE101148RP	47	GH-593	189	P24-100HC	127		
G034YE141524	47	GH-660	190	P25-050HC	127		
G034YE141536	47	GH-661	190	P25-075HC	127		
G038-10RP	49	GH-662	190	P25-100HC	127		
G038-11RP	49	GH-663	190	P27-050HC	127		
G038SS101118RP	46	GH-665	190	P27-075HC	127		
G038SS101124RP	46	GH-668	190	P27-100HC	127		
G038SS101136	46	GH-669	190	P28-050HC	127		
G038SS101136RP	46	GH-672	190	P28-075HC	127		
G038SS101148	46	GH-673	190	P28-100HC	127		



B&K products have been in circulation for over 40 years. Since our company's inception, quality and value have been our top priorities. Mueller Industries acquired B&K in 1998, and we have enjoyed significant growth in sales and expanded our offering to nearly 10,000 sku's and over 15 product categories.

Different channels we service include, but are not limited to, retail, wholesale, HVAC-R, OEM, MRO, MHRV, and Industrial. We offer special marketing support including custom labeling, packaging, signage, and merchandising program with domestic and international brand recognition.

B&K provides expertise in worldwide sourcing and logistics. We have sourcing offices located in the USA, Mexico, and China. Our two main distribution points are located in Wynne, Arkansas and Monterrey, Mexico.

