

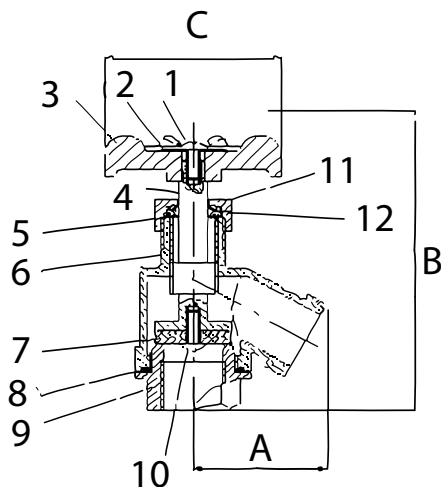
BRASS BENT NOSE GARDEN VALVE, FIP



- 125 lb. CWP
- NPT x 3/4" NHT except 0190170GLK
- Cast brass
- Oval handle

Note: Product contains brass which does not meet federal and state requirements for drinking water.

 **WARNING:** Cancer and Reproductive Harm - www.P65Warnings.ca.gov



No.	Part	Material
1	Screw	Brass ASTM B-134, C27000
2	Name Plate	Aluminium ASTM B209-1100
3	Oval Handle	Cast Iron ASTM A48 Class/NO35
4	Stem	Cast Brass ASTM B-584, C85700
5	Washer	Stainless Steel 304
6	Body	Cast Brass ASTM B-584, C85700
7	Bibb Washer	Rubber (NBR)
8	Washer	Plastic (PE)
9	Seat	Cast Brass ASTM B-584, C85700
10	Bibb Seat	Brass ASTM B-134, C27000
11	Packing Nut	Brass ASTM B-124, C377000
12	Packing Washer	Rubber (NBR)

Size IN	Part Number	Weight LB	A IN	B IN	C IN
1/2	0190170G	0.59	1.50	3.90	2.15
3/4	0190170I	0.66	1.50	4.10	2.15
1	0190170K	0.66	1.50	4.10	2.15
1 x 1	0190170GLK*	0.7	1.50	4.00	2.15

USA 800-766-0076

Fax 323-890-4456

www.smithcooper.com

Los Angeles, CA

Chicago, IL

Atlanta, GA

Vancouver, WA