

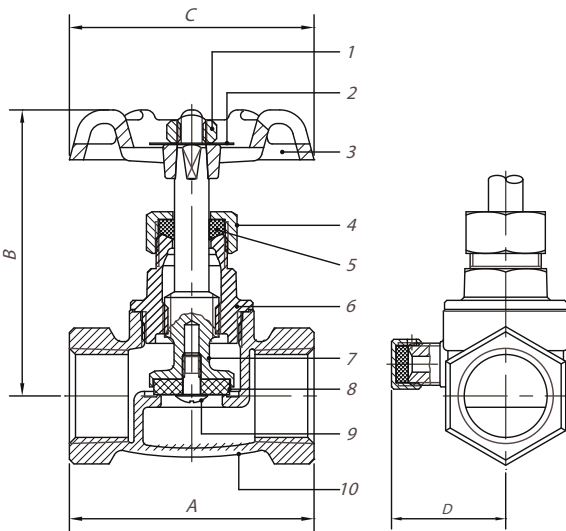


Series 0190136L

**LEAD-FREE BRASS STRAIGHT STOP WITH DRAIN**



- California AB1953 lead-free approved
- Meets federal Safe Water Drinking Water Act, lead-free requirement
- 125 lb. WOG
- Cast brass
- CSA approved
- ANSI/NSF 61.8 approved
- ISO 9001:2008 manufacturer



No.	Part	Material
1	Wheel Nut	Forged Steel ASTM-AISI-1010
2	Name Plate	Aluminium ASTM B-209, Alloy 1100
3	Hand-Wheel	Cast Iron ASTM A-48, Class No. 35
4	Stem	Cast Brass ASTM B-584, C85700
5	Packing Nut	Brass ASTM B-16, C3600
6	Packing	Graphite
7	Bonnet	Cast Brass ASTM B-584, C85700
8	Body	Cast Brass ASTM B-584, C85700
9	Seat Disk	NBR
10	Seat Disk Screw	Brass ASTM B-16, C36000
11	Drain Packing	NBR
12	Drain Nut	Brass ASTM B-16, C36000

USA 800-766-0076

Fax 323-890-4456

www.smithcooper.com

Los Angeles, CA

Chicago, IL

Atlanta, GA

Vancouver, WA

Houston, TX

Size IN	Part Number	Weight LB	A IN	B IN	C IN	D IN
1/2	0190136GL	0.49	2.13	2.64	2.13	0.91
3/4	0190136L	0.58	2.17	2.64	2.13	0.98

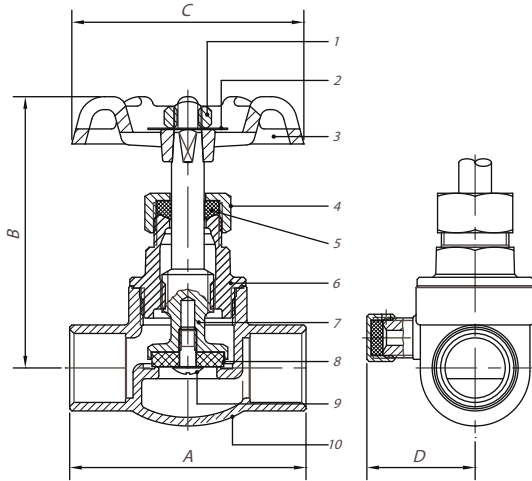


Series 0190146L

**LEAD-FREE BRASS STRAIGHT STOP WITH DRAIN, SWEAT**



- California AB1953 lead-free approved
- Meets federal Safe Water Drinking Water Act, lead-free requirement
- 125 lb. WOG
- Cast brass
- CSA approved
- ANSI/NSF 61.8 approved
- ISO 9001:2008 manufacturer



No.	Part	Material
1	Wheel Nut	Forged Steel ASTM-AISI-1010
2	Name Plate	Aluminium ASTM B-209, Alloy 1100
3	Hand-Wheel	Cast Iron ASTM A-48, Class No. 35
4	Stem	Cast Brass ASTM B-584, C85700
5	Packing Nut	Brass ASTM B-16, C3600
6	Packing	Graphite
7	Bonnet	Cast Brass ASTM B-584, C85700
8	Body	Cast Brass ASTM B-584, C85700
9	Seat Disk	NBR
10	Seat Disk Screw	Brass ASTM B-16, C36000
11	Drain Packing	NBR
12	Drain Nut	Brass ASTM B-16, C36000

USA 800-766-0076

Fax 323-890-4456

www.smithcooper.com

Los Angeles, CA

Chicago, IL

Atlanta, GA

Vancouver, WA

Houston, TX

Size IN	Part Number	Weight LB	A IN	B IN	C IN	D IN
1/2	0190146GL	0.47	2.17	2.64	2.13	0.91
3/4	0190146IL	0.6	2.72	2.64	2.13	0.98