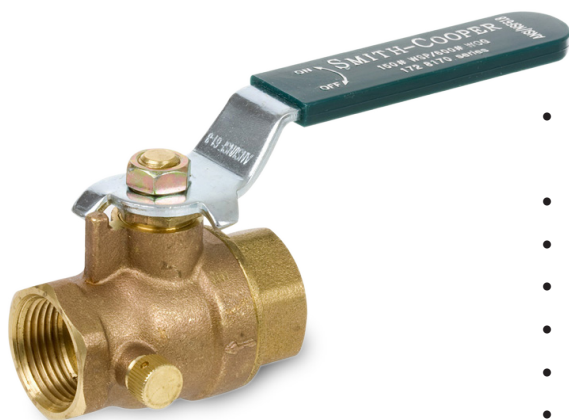
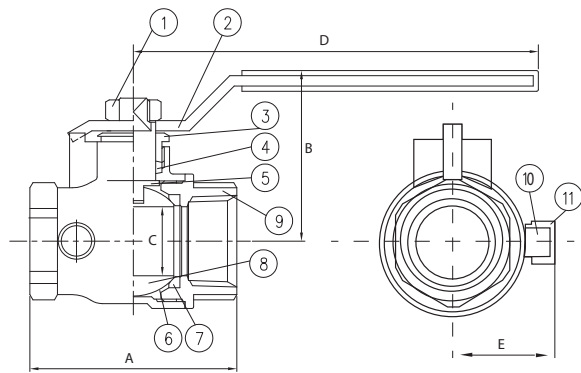


LEAD-FREE BRASS BALL VALVE WITH DRAIN, THREADED



- Meets federal Safe Water Drinking Water Act, lead-free requirement
- Certified to NSF/ANSI 372
- 600 lb. CWP
- Full port
- Forged brass body
- Blow-out proof stem
- Meets fed spec WW-V-35, Type II, Class A, Style 3
- Conforms to MSS-SP110
- ISO 9001:2008 manufacturer



No.	Part	Material
1	Nut	Forged Steel ASTM-AISI-1010
2	Handle	Forged Steel ASTM-A-283-D
3	Packing Nut	Brass ASTM B-16, C36000
4	Packing	PTFE
5	Stem	Brass ASTM B-36, C28000
6	Body	Brass ASTM B-36, C28000
7	Seat Rings (2)	PTFE
8	Ball	Brass ASTM B-36, C28000
9	Body End Cap	Forged Brass ASTM B-124, C37700
10	Drain Packing	NBR
11	Drain Nut	Brass ASTM B-36, C28000

Size IN	Part Number	Weight LB	A IN	B IN	C IN	D IN	E IN
1/2	01728175GL	0.5	2.01	1.54	0.50	3.31	0.91
3/4	01728175IL	0.8	2.36	1.97	0.79	4.65	1.10
1	01728175KL	1.2	2.87	2.13	0.98	4.65	1.26

USA 800-766-0076

Fax 323-890-4456

www.smithcooper.com

Los Angeles, CA

Chicago, IL

Atlanta, GA

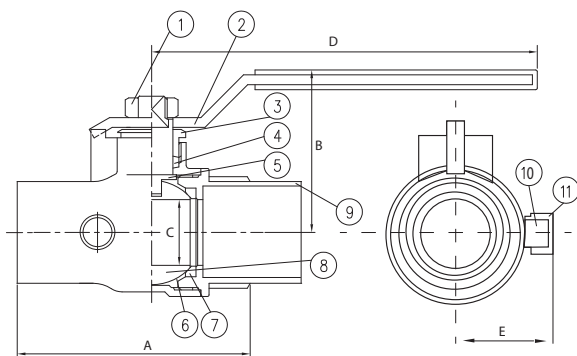
Vancouver, WA

Houston, TX

BRASS BALL VALVE WITH DRAIN, SWEAT



- Meets federal Safe Water Drinking Water Act, lead-free requirement
- Certified to NSF/ANSI 372
- 600 lb. WOG
- Full Port
- Blow-out proof stem
- Fed. Spec. WW-V-35, Type II, Class A Style 3
- MSS-SP-110
- ISO 9001:2008 manufacturer



No.	Part	Material
1	Nut	Forged Steel ASTM-AISI-1010
2	Handle	Forged Steel ASTM-A-283-D
3	Packing Nut	Brass ASTM B-16, C36000
4	Stem Packing	PTFE
5	Stem	Brass ASTM B-36, C28000
6	Body	Brass ASTM B-36, C28000
7	Ball Seat	PTFE
8	Ball	Brass ASTM B-36, C28000
9	Body End Cap	Forged Brass ASTM B-124, C37700
10	Drain Packing	NBR
11	Drain Nut	Brass ASTM B-36, C28000

Size IN	Part Number	Weight LB	A IN	B IN	C IN	D IN	E IN
1/2	01728176GL	0.5	1.93	1.54	0.50	3.31	0.91
3/4	01728176IL	0.8	2.76	1.97	0.79	4.65	1.10
1	01728176KL	1.2	3.30	2.13	0.98	4.65	1.26

USA 800-766-0076

Fax 323-890-4456

www.smithcooper.com

Los Angeles, CA

Chicago, IL

Atlanta, GA

Vancouver, WA

Houston, TX