

USA 800-766-0076

Fax 323-890-4456

www.smithcooper.com

Los Angeles, CA

Chicago, IL

Atlanta, GA

Vancouver, WA

## Series 0190400

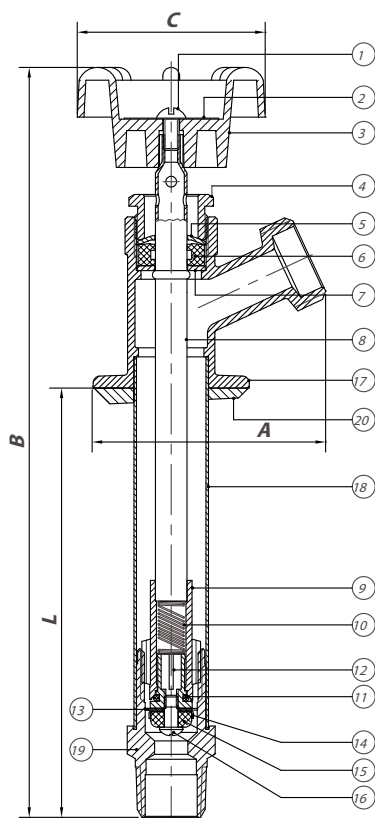
### FROST FREE SILLCOCK, MIP x SWEAT



- 3/4" MHT outlet
- 1/2" MIP x 1/2" SWT inlet
- Brass body
- Chrome plated

**Note:** Product contains brass which does not meet federal and state requirements for drinking water.

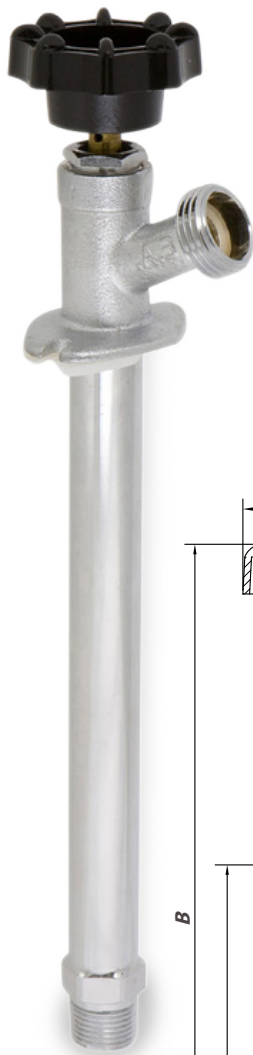
**!** **WARNING:** Cancer and Reproductive Harm - [www.P65Warnings.ca.gov](http://www.P65Warnings.ca.gov)



No.	Part	Material
1	Handle Bolt	Brass B-124, C37700
2	Name Plate	Aluminium
3	Hand-Wheel	Zinc
4	Bonnet	Brass B16 C36000
5	Washer	304 Stainless Steel
6	Packing	NBR
7	Washer	304 Stainless Steel
8	Stem Pipe	Brass (Copper Alloy Nos.27000)
9	Stem	Brass B16 C36000
10	Spring	304 Stainless Steel
11	O-Ring	NBR
12	Spring Seat	Brass B16 C36000
13	Flapper	NBR
14	Seat Holder	Brass B-124, C37700
15	Seat Packing	NBR
16	Seat Screw	Brass B-124, C37700
17	Body	Brass B584 C85700
18	Pipe Flow	Brass (Copper Alloy Nos.27000)
19	Nipple	Brass B16 C36000
20	Flange Packing	Formocon FM090 CF500P

Length IN (L)	Part Number	Weight LB	A IN	B IN	C IN
4	0190404GG	1.0	3.07	8.64	2.21
6	0190406GG	1.0	3.07	10.66	2.21
8	0190408GG	1.1	3.07	12.66	2.21
10	0190410GG	1.1	3.07	14.68	2.21
12	0190412GG	1.2	3.07	16.72	2.21

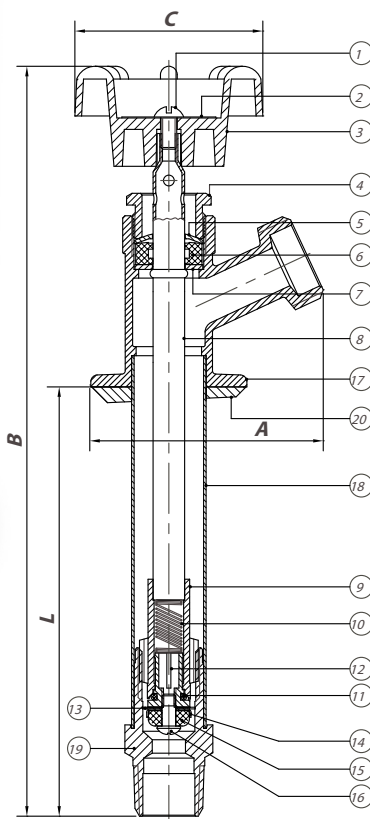
### FROST FREE SILLCOCK, MIP x FIP



- 3/4" MHT outlet
- 3/4" MIP x 1/2" FIP inlet
- Brass body
- Chrome plated

**Note: Product contains brass which does not meet federal and state requirements for drinking water.**

**⚠ WARNING: Cancer and Reproductive Harm - [www.P65Warnings.ca.gov](http://www.P65Warnings.ca.gov)**



No.	Part	Material
1	Handle Bolt	Brass B-124, C37700
2	Name Plate	Aluminium
3	Hand-Wheel	Zinc
4	Bonnet	Brass B16 C36000
5	Washer	304 Stainless Steel
6	Packing	NBR
7	Washer	304 Stainless Steel
8	Stem Pipe	Brass (Copper Alloy Nos.27000)
9	Stem	Brass B16 C36000
10	Spring	304 Stainless Steel
11	O-Ring	NBR
12	Spring Seat	Brass B16 C36000
13	Flapper	NBR
14	Seat Holder	Brass B-124, C37700
15	Seat Packing	NBR
16	Seat Screw	Brass B-124, C37700
17	Body	Brass B584 C85700
18	Pipe Flow	Brass (Copper Alloy Nos.27000)
19	Nipple	Brass B16 C36000
20	Flange Packing	Formocon FM090 CF500P

Length IN (L)	Part Number	Weight LB	A IN	B IN	C IN
4	0190504IG	1.0	3.07	8.64	2.21
6	0190506IG	1.0	3.07	10.66	2.21
8	0190508IG	1.1	3.07	12.66	2.21
10	0190510IG	1.1	3.07	14.68	2.21
12	0190512IG	1.2	3.07	16.72	2.21
14	0190514IG	1.3	3.07	18.73	2.21

USA 800-766-0076

Fax 323-890-4456

[www.smithcooper.com](http://www.smithcooper.com)

Los Angeles, CA

Chicago, IL

Atlanta, GA

Vancouver, WA