



Series 0190112

## FLANGED BRASS SILLCOCK, FIP

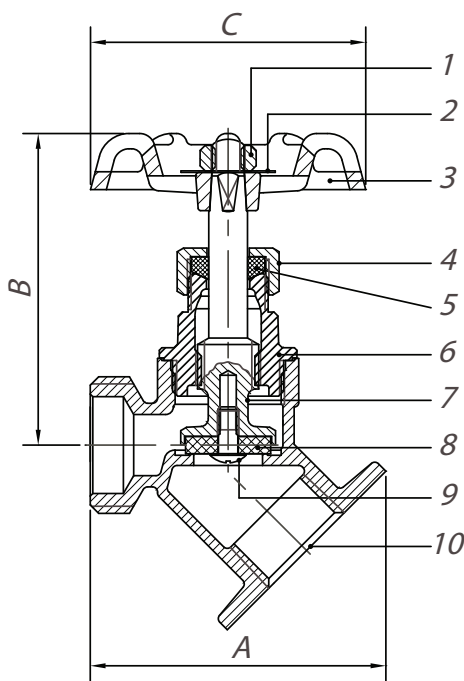


- 125 lb. CWP
- NPT x 3/4" NHT
- Cast brass
- CSA approved
- Certified to NSF/ANSI 61-8
- ISO 9001:2008 manufacturer

**Note:** Product contains brass which does not meet federal and state requirements for drinking water.



**WARNING:** Cancer and Reproductive Harm - [www.P65Warnings.ca.gov](http://www.P65Warnings.ca.gov)



No.	Part	Material
1	Wheel Nut	Hot Rolled SAE 1010R
2	Name Plate	Aluminium
3	Hand-Wheel	Cast Iron
4	Packing Nut	Brass B16 C36000
5	Gland Packing	Teflon Polyflon
6	Bonnet	Brass B584 C85700
7	Stem	Brass B584 C85700
8	Seat Packing	NBR
9	Seat Screw	Brass B-124, C37700
10	Body	Brass B584 C85700

USA 800-766-0076

Fax 323-890-4456

[www.smithcooper.com](http://www.smithcooper.com)

Los Angeles, CA

Chicago, IL

Atlanta, GA

Vancouver, WA

Size IN	Part Number	Weight LB	A IN	B IN	C IN
1/2	0190112G	0.6	2.25	2.40	2.09
3/4	0190112I	0.6	2.40	2.40	2.09

USA 800-766-0076

Fax 323-890-4456

www.smithcooper.com

Los Angeles, CA

Chicago, IL

Atlanta, GA

Vancouver, WA

## Series0190112VB

### FLANGED SILLCOCK WITH STUFFING BOX & VACUUM BREAKER, FIP



- 125 lb. CWP
- NPT x 3/4" NHT
- Cast brass
- Hose end vacuum breaker installed
- Certified to NSF/ANSI 61-8
- Vacuum breaker meets ANSI 10.11 and CSA B64.2
- ISO 9001:2008 manufacturer

**Note: Product contains brass which does not meet federal and state requirements for drinking water.**

**! WARNING:** Cancer and Reproductive Harm - [www.P65Warnings.ca.gov](http://www.P65Warnings.ca.gov)

No.	Part	Material
1	Wheel Nut	Hot Rolled SAE 1010R
2	Name Plate	Aluminium A1100
3	Handwheel	Cast Iron JIS ZZ2202
4	Packing Nut	Brass B16 C36000
5	Gland Packing	Teflon Polyfon SN-919F
6	Bonnet	Brass B584 C85700
7	Stem	Brass B584 C85700
8	Seat Packing	Rubber (NBR) SN-919F (2)
9	Seat Screw	Brass B-124, C37700
10	Body	Brass B584 C85700
11	Packing	Rubber (NBR) SN-919F (2)
12	Bolt	Brass B584 C85700
13	Hose Bonnet	Brass B584 C85700
14	Seat Rubber	Rubber (NBR) SN-919F
15	Spring Seat	POM M90 Formocon FM090 CF500P
16	Spring	Stainless Steel 304
17	Hose Body	Brass B584 C85700

Size IN	Part Number	Weight LB	D IN	H IN	L IN
1/2 x 3/4	0190112GVB	0.8	2.9	2.4	3.3