

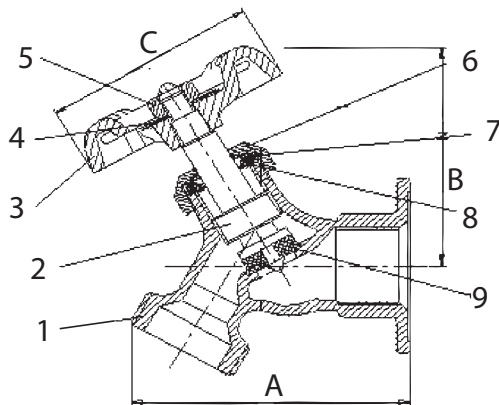
BRASS FLANGED SILLCOCK, SWEAT



- 125 lb. CWP
- NPT x 3/4" NHT
- Cast brass

Note: Product contains brass which does not meet federal and state requirements for drinking water.

! **WARNING:** Cancer and Reproductive Harm - www.P65Warnings.ca.gov



No.	Part	Material
1	Body	Cast Brass ASTM B-584, C85700
2	Stem	Cast Brass ASTM B-584, C85700
3	Handwheel	Cast Iron ASTM A48 Class/NO. 35
4	Name Plate	Aluminium ASTM B209-1100
5	Handle Nut	Brass Plate Steel ASTM AISI-1010
6	Packing Nut	Brass ASTM B-124, C37700
7	Packing Washer	Rubber (NBR)
8	Washer	Stainless Steel 304
9	Bibb Washer	Rubber (NBR)

USA 800-766-0076

Fax 323-890-4456

www.smithcooper.com

Los Angeles, CA

Chicago, IL

Atlanta, GA

Vancouver, WA

Size IN	Part Number	Weight LB	A IN	B IN	C IN
1/2	0190110G	0.47	2.44	2.36	2.00
3/4	0190110I	0.48	2.44	2.36	2.00