

## SBV/CF-R

### Shelf Brackets / Concrete Form Angles

Use the SBV for shelving, counter brackets window ledge supports, at a very competitive price.

The CF-R is used where a moderate-size shelf bracket and reinforcing angle is needed. When used for tilt-up perimeter forming, the nail hole placement ensures substantial reuse.

**Material:** 16 gauge

**Finish:** Galvanized

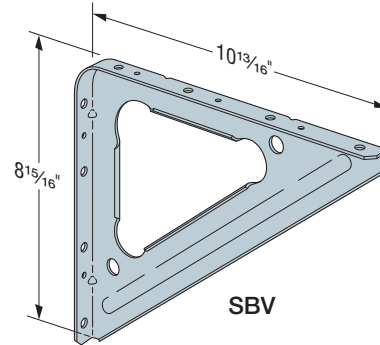
**Installation:** • Use all specified fasteners. See General Notes.

- SBV — Reversible for nominal 10" or 12" shelves of any thickness.
- CF-R (Retail Pack) — Recommended spacing is 36" for 2x's and 18" for 1x's. Use the 5" leg for 6" lumber and the 6" leg for 8" lumber. Holes are sized for ¼" fasteners or 0.148"-diameter nails or #9 Strong-Drive® SD Connector screws.

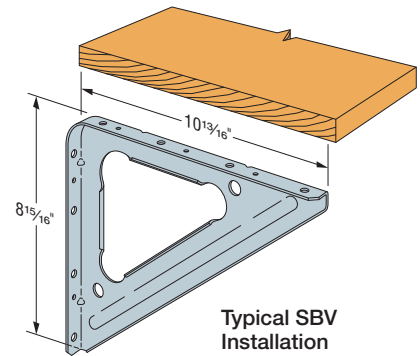
**Codes:** See p. 12 for Code Reference Key Chart

Model No.	Fasteners	DF/SP Allowable Downloads (100)	Code Ref.
	Stud		
CF-R	(3) ¼" x 2" SDS	135	—
SBV	(4) ¼" x 2" SDS	130	

1. **Fasteners:** Nail dimensions in the table are diameter by length. SDS screws are Simpson Strong-Tie® Strong-Drive® screws. See pp. 21–22 for fastener information.



SBV



Typical SBV Installation

## DS

### Drywall Stop

Eliminates costly blocking at top plate, end walls, and corners. A typical residence will use several hundred of these inexpensive clips with a substantial savings in blocking and labor.

The installation prongs provide even more labor savings.

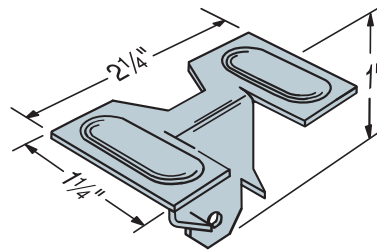
**Material:** 20 gauge

**Finish:** Galvanized

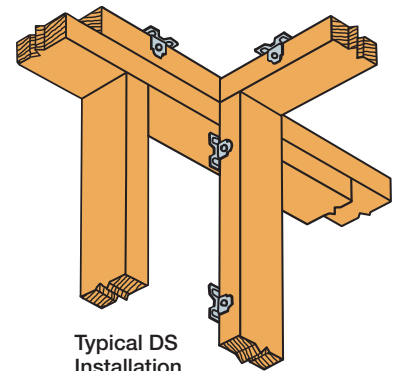
**Installation:**

- 16" on center or less, using 0.131" x 2½" nails
- DS should not be used where gypsum board is used for structural loads

**Code Ref.:** IP6, FL, L26



DS



Typical DS Installation