

Outdoor Accents®

Outdoor Accents Fasteners

Outdoor Accents Connector Screw

The Outdoor Accents connector screw reduces installation time by driving easily without predrilling. Designed for installation with the Outdoor Accents APA21 90° angle and APLH light joist hangers, the screw's black finish accents any outdoor living project. The sharp point of the screw enables fast starts.

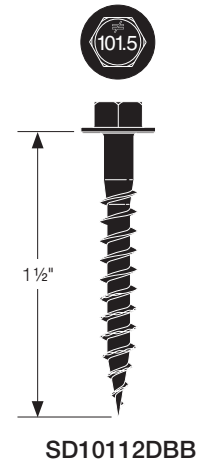
Features:

- Use with Outdoor Accents Decorative Hardware (sold separately) for an appealing look
- 1/4" hex head reduces cam-out for easier installation and helps avoid stripping of the head during installation (1/4" hex drive included)
- Optimized heat treating for ductility and strength
- The single-fastener steel-side-plate allowable load of the SD10 exceeds the shear load of a 16d common nail

Material: Heat-treated carbon steel

Finish: Double-barrier black proprietary coating

Code Ref.: IBC. See p. 12 for Code Reference Key Chart.



Outdoor Accents Hex-Head Washer

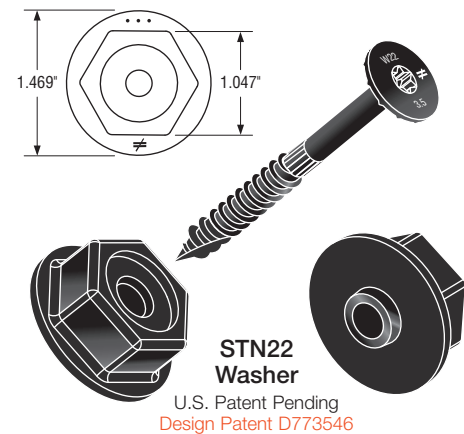
The Outdoor Accents hex-head washer provides the decorative appearance of a bolted connection. Its patent-pending design provides an easier and significantly faster installation time compared to through-bolting. The patent-pending hex-head washer is code listed (IAPMO-UES ER-192) and is designed to help fasten Outdoor Accents post bases, T and L straps, angles, gable plates and heavy joist hangers.

Features:

- Combined with the Outdoor Accents structural wood screw, it provides a structural load-rated solution
- Easy to install

Finish: Quik Guard® black coating for exterior use with a black powder-coat finish

Code Ref.: IBC. See p. 12 for Code Reference Key Chart.



Outdoor Accents Structural Wood Screw

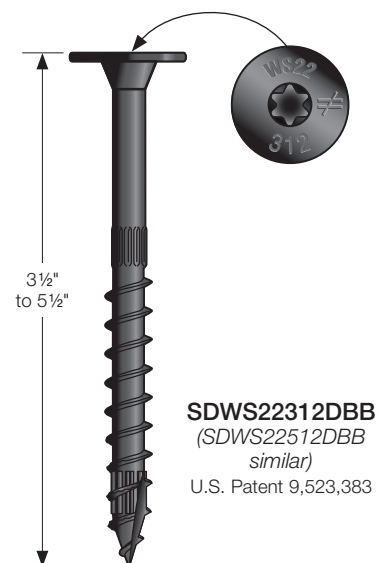
The Outdoor Accents structural wood screw reduces installation time by driving easily without predrilling. When combined with the patent-pending, load-rated Outdoor Accents hex-head washer, the solution delivers the decorative appearance of a bolt connection but with a much easier installation. The structural screw and washer are sold separately from each other and from the Outdoor Accents connectors.

Features:

- Use with Outdoor Accents Decorative Hardware and hex-head washer (sold separately) for an appealing look
- Use Outdoor Accents structural wood screw solitarily as a wood-to-wood fastener
- **New patented SawTooth™** point ensures fast starts, reduces installation torque and eliminates the need for predrilling in most applications
- **Deep 6-lobe T-40 recess reduces cam-out, making driving easier** (T-40 drive bit included)

Finish: Double-barrier black proprietary coating

Code Ref.: IBC. See p. 12 for Code Reference Key Chart.



Outdoor Accents®

Outdoor Accents Fasteners (cont.)

Outdoor Accents® Connector Screw



Model No.	Size (in.)	Thread Length (in.)	DF/SP Allowable Loads		SPF/HF Allowable Loads		Code Ref.
			Shear Steel Side Plate 20 ga. – 12 ga. (lb.)	Withdrawal (lb./in.)	Shear Steel Side Plate 20 ga. – 12 ga. (lb.)	Withdrawal (lb./in.)	
SD10112DBB	#10 x 1½	1	173	173	138	122	IBC, FL

1. Allowable loads are shown at a wood load duration factor of $C_D = 1.0$. Loads may be increased for load duration per the building code up to a $C_D = 1.6$. Tabulated values must be multiplied by all applicable NDS adjustment factors.
2. Withdrawal loads and steel-side-plate shear loads are based on testing per ICC-ES AC233.
3. Withdrawal loads are based on penetration of the screw's entire thread length into the main member.
4. Visit strongtie.com for wood-to-wood shear values and wood side-plate details.
5. Fasteners sold separately.



Outdoor Accents® Structural Wood Screw with Hex-Head Washer

Model No.	Size (in.)	Thread Length (in.)	Allowable Shear Loads (lb.)						Code Ref.
			2x Wood Side Member			12-ga. Steel Side Member			
			DF/SP	SPF/HF	Western Cedar	DF/SP	SPF/HF	Western Cedar	
SDWS22312DBB with STN22	0.22 x 3½	2	235	192	179	470	385	320	IBC, FL
SDWS22512DBB with STN22	0.22 x 5½	2¾	465	430	395	640	495	425	

1. Allowable loads are for connections between two members with full screw thread penetration into the main member.
2. Allowable loads are shown at a wood load duration factor of $C_D = 1.0$. Loads may be increased for load duration per the building code up to a $C_D = 1.6$. Tabulated values must be multiplied by all applicable NDS adjustment factors.
3. Minimum spacing, edge, and end distance requirements are per IAPMO-UES ER-192.
4. Loads are based on installation into the side grain of the wood with the screw axis perpendicular to the face of the member.

Outdoor Accents® Structural Wood Screw – Wood to Wood



Model No.	Size (in.)	Thread Length (in.)	Allowable Shear Loads (lb.)			Allowable Withdrawal Loads (lb./in.)			Code Ref.
			2x Wood Side Member			DF/SP	SPF/HF	Western Cedar	
			DF/SP	SPF/HF	Western Cedar				
SDWS22312DBB	0.22 x 3½	2	255	190	225	164	151	IBC, FL	
SDWS22512DBB	0.22 x 5½	2¾	405	405	230	214	187		

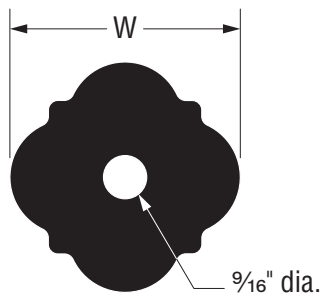
1. Allowable loads are for connections between two members with full screw thread penetration into the main member.
2. Allowable loads are shown at a wood load duration factor of $C_D = 1.0$. Loads may be increased for load duration per the building code up to a $C_D = 1.6$. Tabulated values must be multiplied by all applicable NDS adjustment factors.
3. Minimum spacing, edge, and end distance requirements are per IAPMO-UES ER-192.
4. Loads are based on installation into the side grain of the wood with the screw axis perpendicular to the face of the member.

Outdoor Accents Accessories

Decorative Washer

Model No.	Ga.	Hole Diameter (in.)	W (in.)
APDMW56	12	⅝	3

1. Fastener is SDWS22312DBB inserted through an STN22 washer.

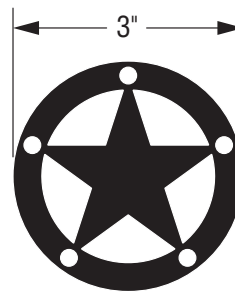


APDMW56

Decorative Star

Model No.	Ga.	Screw Size	W (in.)
APDTS3	12	#10 x 1½"	3

1. All fasteners are Outdoor Accents® SD10112DBB connector screws.



APDTS3