

PGT®

Pipe Grip Ties®

Our popular PGT pipe grip tie series now includes more models to meet a variety of conditions for attaching wood fence rails to metal fence posts and eliminating rotted and failed wood posts. PGT is suitable for standard applications as well as corners and splices.

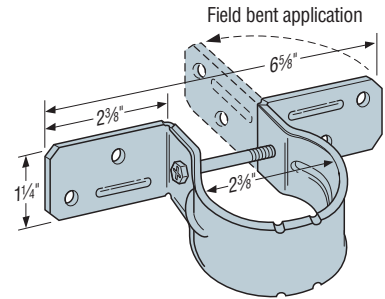
- PGTIC2Z-R is an interior corner pipe grip tie.
- PGT1.5Z-R is for 1½" pipe (1⅞" outside diameter), and the PGT2Z-R is for 2" pipe (2⅜" outside diameter).
- PGT2A is for 2" pipe (2⅜" outside diameter).
- PGT2E is for 2" pipes and features a two-piece design that provides a solid connection between fence stringer and post.

Material: PGT2A — 14 gauge; all others — 12 gauge

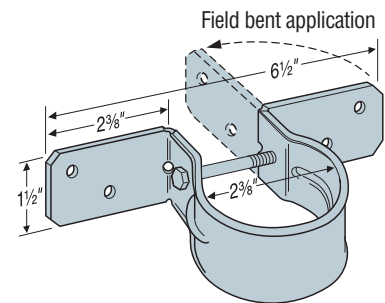
Finish: PGTA, PGT2-R, PGT2E — galvanized;
PGTIC2Z, PGT1.5Z, PGT2Z-R — ZMAX®

Installation:

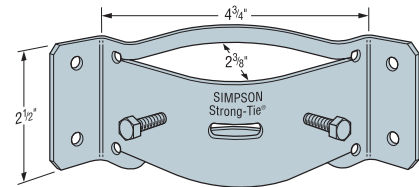
- Use all specified fasteners; see General Notes.
- PGTIC2Z-R to Post — Install two set screws (supplied) with ⅜" socket in predrilled holes.
- PGTIC2Z-R to Rails — Use ¼" x 1½" Strong-Drive® SDS Heavy-Duty Connector screws (not supplied).
- Install on vertical pipes, offsetting corners to allow for the correct rail alignment.
- Use three to four PGTs per pipe; line up to stringline.
- Fasten PGT with ¼" hex head bolt (supplied).
- PGT attaches to rails with four ¼" x 1½" Strong-Drive SDS Heavy-Duty Connector screws (not supplied). See p. 334 for Strong-Drive SDS Heavy-Duty Connector screw information.
- ¼" lag screws may be used. Follow the code requirements for predrilling.
- Nail or screw fence boards to rails.
- Field bend PGT flanges to fit corner and angled conditions (bend one time only).
- Fasten to rails using PGT2E with ¼" Strong-Drive SDS Heavy-Duty Connector screws or ¼" lag screws (follow code requirements for predrilling). See p. 334 for Strong-Drive SDS Heavy-Duty Connector screw information.
- PGT2E-R50: Sold as full carton with (50) attachment plates, (50) front straps and (55) thread-tapping screws.



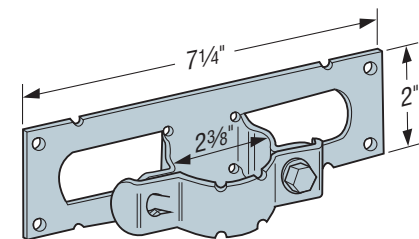
PGT2A



PGT2Z-R
(PGT1.5Z-R similar)



PGTIC2Z-R



PGT2E
U.S. Patent 8,220,781

Model No.	Pipe Diameter	Ga.	Width (in.)	Height (in.)	Fasteners	
					Wood Rail SDS ¼" x 1½" (not supplied)	Metal Post
PGT1.5Z	1⅞" OD	12	6½	1½	4	(1) screw supplied
PGT2A	2⅜" OD	14	6⅝	1¼	4	(1) screw supplied
PGT2E		12	7¼	2	4	(1) screw supplied
PGTIC2Z		12	4¾	2½	4	(2) screws supplied
PGT2-R		12	6½	1½	4	(1) screw supplied
PGT2Z-R		12	6½	1½	4	(1) screw supplied

1. **Fasteners:** SDS screws are Simpson Strong-Tie® Strong-Drive® screws. See pp. 21–22 for fastener information.