

FB/FBR/FBFZ

Fence Rail Brackets

FB and FBR fence brackets make the connection between fence rails and posts simple and strong. Eliminates the need for toe nails or screws. Clean, versatile connections make planning and building fences, deck/porch railings and louvers easier and faster.

The patent-pending FBFZ flat rail bracket offers a more concealed install look. In addition to fence-rail connections, the FBFZ can also be used for handrail attachments for porch and deck railings that are 30" or closer to ground level.

Material: See table

Finish: FB/FBR — galvanized; FB24SS — stainless steel. Some products available in ZMAX® coating. See Corrosion Information, pp. 13–15.

Installation:

- Holes are sized for 0.131" x 1½" nails, 0.131" x 2½" nails or #9 x 1½" Strong-Drive® SD Connector screws into the supporting member.
- FB24R is sized for 0.148" x 1½" nails or #9 x 1½" Strong-Drive SD Connector screws.
- FB26 is sized for #9 x 1½" Strong-Drive SD Connector screws.
- For FBFZ installation, position the bracket on the end of the 2x4 rail. Install fasteners into all three holes. Slide the rail into place against the post or other wood member. Install one fastener through both the top and bottom holes into the post.

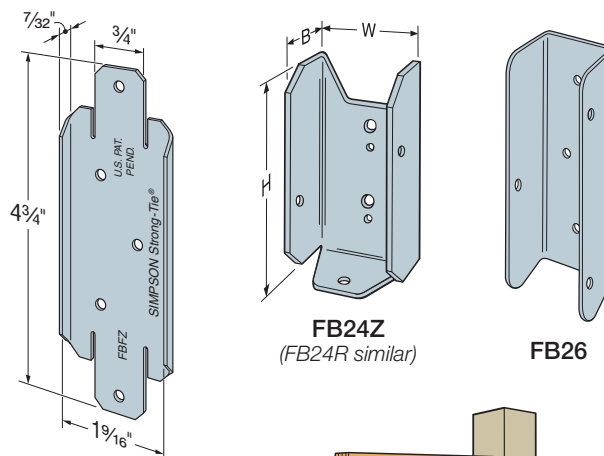
Codes: See p. 12 for Code Reference Key Chart

These products are available with additional corrosion protection. For more information, see p. 15.

SD Many of these products are approved for installation with Strong-Drive® SD Connector screws. See pp. 335–337 for more information.

Model No.	Ga.	Member Size	Dimensions (in.)			Code Ref.
			W	H	B	
FB24Z	20	2x4	1⅞	3⅝	¾	—
FB24R	20	2x4 RGH	2	3⅝	¾	
FBR24Z	18	2x4	1⅞	27/16	1½	
FB26	18	2x6	1⅞	5	1½	
FBFZ	18	2x4	1⅞	4¾	7/32	

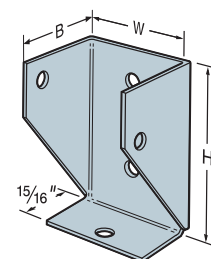
1. FB26 has an allowable load for F₁ of 365 lb.
2. FBR24: R = rail (not rough).



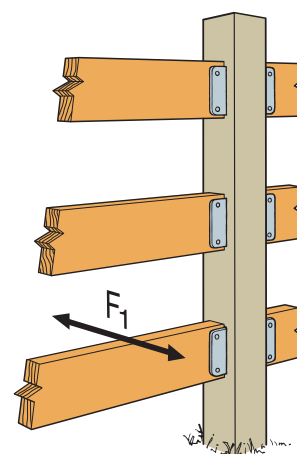
FB24Z
(FB24R similar)

FB26

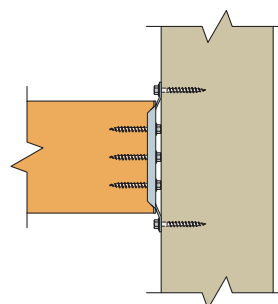
FBFZ
U.S. Patent Pending



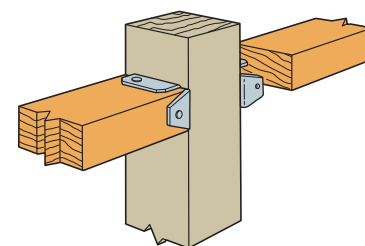
FBR24Z



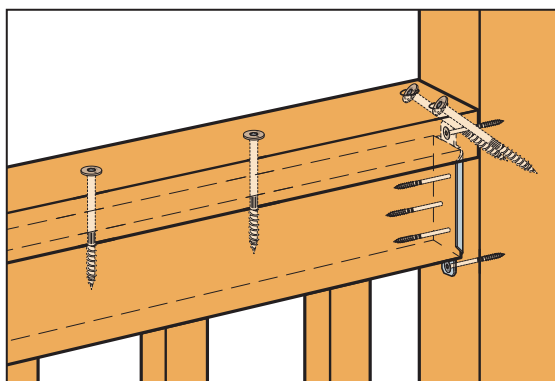
Typical FB26
Fencing Installation



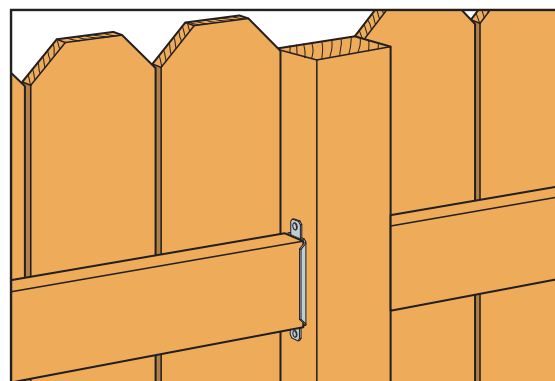
Tabs on either end of the FBFZ bracket can be slightly bent to adjust for the rail length.



Typical FBFZ
Installation



Typical FBFZ Handrail Installation
(3" SDWS Timber screws shown)



Typical FBFZ Fence Rail Installation