

LCE Post Cap

The universal design of the LCE4 provides high capacity while eliminating the need for rights and lefts. For use with 3 1/2" to 6" framing members.

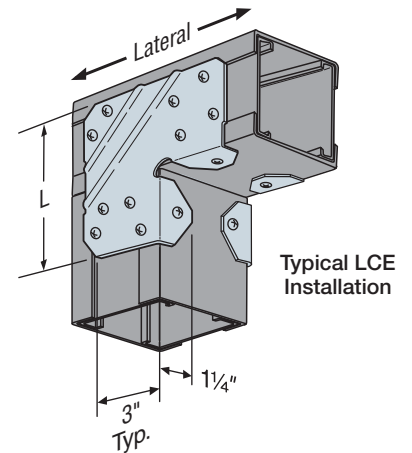
Material: LCE4 — 33 mil (20 ga.)

Finish: Galvanized, ZMAX® coating or stainless steel: see Corrosion Information, pp. 18–21

Installation:

- Use all specified fasteners; see General Notes
- Install in pairs

Codes: See p. 11 for Code Reference Key Chart



Installation for Cold-Formed Steel Built-Up Column

Note: The Designer is responsible for design of column and beam member.

| Model No. | Dimensions (in.) | | Fasteners ¹ (Total) | | Allowable Load (lb.) | | | | Code Ref. |
|-----------|------------------|----|--------------------------------|----------|----------------------|-----------------|-----------------|-----------------|-----------|
| | W | L | Beam | Post | Uplift | | Lateral | | |
| | | | | | 33 mil (20 ga.) | 43 mil (18 ga.) | 33 mil (20 ga.) | 43 mil (18 ga.) | |
| LCE4 | — | 5% | (14) #10 | (10) #10 | 1,700 | 2,355 | 1,420 | 2,150 | 170 |

These products are available with additional corrosion protection. Additional products on this page may also be available with this option. Check with Simpson Strong-Tie for details.

1. See pp. 138 through 171 for more information on Simpson Strong-Tie fasteners.

TP/TPA Tie Plates

TPs are screw-on tie plates.

TPAs are flanged for added support.

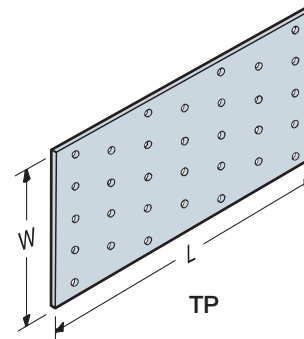
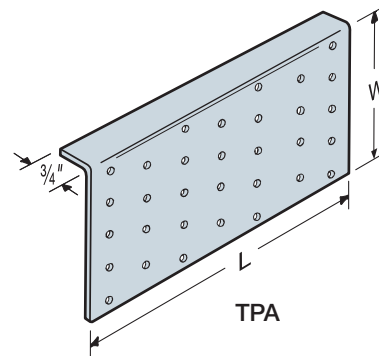
Material: 33 mil (20 ga.)

Finish: Galvanized

Installation:

- Holes are sized for #8 or #10 screw

Codes: See p. 11 for Code Reference Key Chart



| Model No. | Dimensions (in.) | | Number of Nail Holes | Code Ref. |
|-----------|------------------|----|----------------------|-----------|
| | W | L | | |
| TP15 | 1 1/8 | 5 | 13 | 180 |
| TPA37 | 3 1/2 | 7 | 32 | |
| TPA39 | 3 1/2 | 9 | 41 | |
| TP35 | 3 1/8 | 5 | 23 | |
| TP37 | 3 1/8 | 7 | 32 | |
| TP39 | 3 1/8 | 9 | 41 | |
| TP311 | 3 1/8 | 11 | 50 | |
| TP45 | 4 1/8 | 5 | 30 | |
| TP47 | 4 1/8 | 7 | 42 | |
| TP49 | 4 1/8 | 9 | 54 | |
| TP411 | 4 1/8 | 11 | 66 | |
| TP57 | 5 3/8 | 7 | 60 | |
| TPA57 | 5 | 7 | 49 | |

1. Connectors are not load rated.