

**NEW**

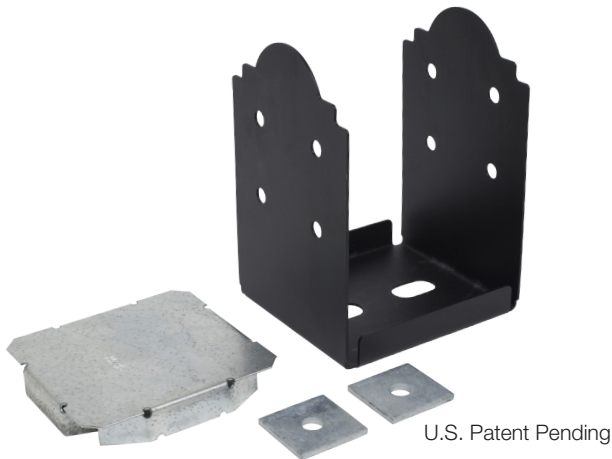
# Outdoor Accents® Now Includes Larger Post Base, New Washer



The Outdoor Accents line of decorative wood connectors and fasteners from Simpson Strong-Tie now includes an 8x8 post base in both solid sawn nominal and rough lumber sizes, and a new decorative washer (see other side).

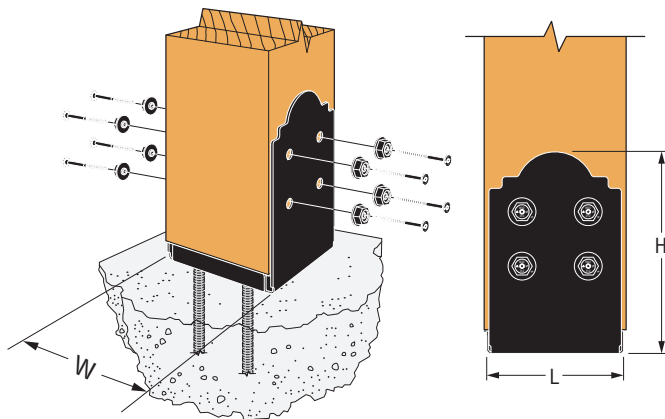
## 8x8 Post Base

The APB88 adjustable post base secures wood posts to concrete, while providing a 1" standoff height. It installs with the innovative Outdoor Accents hex-head washer and structural wood screw for the decorative appeal of a bolted connection with the installation ease of a screw. In addition to the new 8x8 model, there are also Outdoor Accents post bases for 4x4 and 6x6 lumber in both solid sawn nominal and rough sizes.



**Material:** APB88 straps – 12 gauge, base – 14 gauge; APDMW56 – 12 gauge

**Finish:** strap – ZMAX® with textured, flat black powder coat; base – ZMAX, BP $\frac{5}{8}$  – HDG



Typical APB88 Installation

Model No.	Ga.	Dimensions			Fasteners		Allowable Load (lb.)	
		L (in.)	W (in.)	H (in.)	Post Qty.	Anchor Dia. (in.)	Uplift	Download
APB88	12	7	7½	10 $\frac{9}{16}$	8	(2) $\frac{5}{8}$	2,670	22,255
APB88R	12	7	8	10 $\frac{9}{16}$	8	(2) $\frac{5}{8}$	2,670	22,255

1. Uplift loads have been increased for wind or seismic loads with no further increase allowed; reduce where others govern.
2. Downloads may not be increased for short-term loading.
3. Specifier to design concrete for uplift capacity.
4. Downloads shall be reduced where limited by capacity of the post.
5. All post fasteners are a Simpson Strong-Tie® SDWS22312DBB inserted through an STN22 washer.
6. Post bases do not provide adequate resistance to prevent members from rotating about the base and therefore are not recommended for non-top-supported installations (such as fences or unbraced carports).

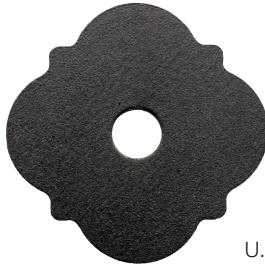
**NEW**



## New Washer Adds Decorative Accent

### Decorative Washer

The APDMW56 decorative washer installs easily with the structural wood screw and hex-head washer combination and can be used in a variety of wood-to-wood connections.



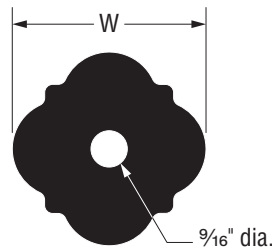
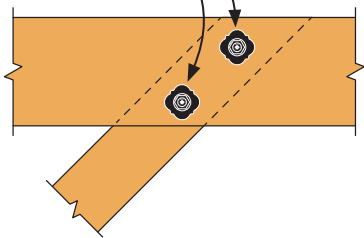
U.S. Patent Pending

**Material:** 12 gauge

**Finish:** ZMAX® with textured, flat black powder coat



APDMW56 with  
STN22 – SDWS22312DBB



#### APDMW56

Model	Ga.	Hole Dia.	W
APDMW56	12	9/16"	3"

1. Fastener is SDWS22312DBB or SDWS22512DBB, inserted through an STN22 washer.

## Full Line of Outdoor Accents® Decorative Hardware



With Outdoor Accents decorative hardware, you can now bring both design elegance and structural strength to your outdoor living areas. For more information about the full product line, visit [strongtie.com/outdooraccents](http://strongtie.com/outdooraccents).

This flier is effective until December 31, 2019, and reflects information available as of July 1, 2017. This information is updated periodically and should not be relied upon after December 31, 2019. Contact Simpson Strong-Tie for current information and limited warranty or see [strongtie.com](http://strongtie.com).

© 2017 Simpson Strong-Tie Company Inc. • P.O. Box 10789, Pleasanton, CA 94588

F-C-OAAPB8817 7/17 exp. 12/19

**(800) 999-5099**  
**strongtie.com**