

# T and L

## Strap Tie

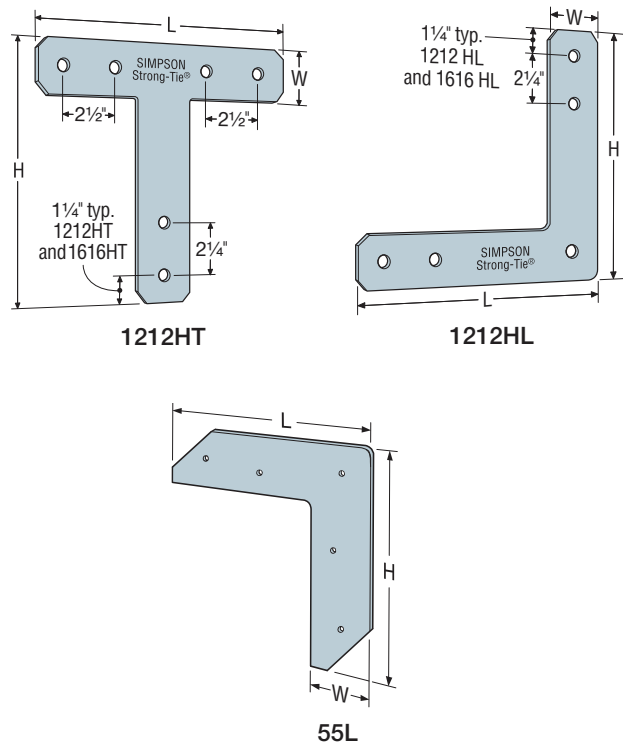
T and L strap ties are versatile utility straps. See Decorative Hardware for aesthetically pleasing options with black powder-coated paint.

**Finish:** Galvanized; see Corrosion Information, pp. 13–15; also available black powder coat (add PC to sku); contact Simpson Strong-Tie.

**Codes:** See p. 12 for Code Reference Key Chart

| Model No. | Ga. | Dimensions (in.) |    |    | Fasteners       |       |      | Code Ref. |
|-----------|-----|------------------|----|----|-----------------|-------|------|-----------|
|           |     | L                | H  | W  | Nails (in.)     | Bolts |      |           |
|           |     |                  |    |    |                 | Qty.  | Dia. |           |
| 55L       | 16  | 4¾               | 4¾ | 1¼ | (5) 0.148 x 2½  | —     | —    | —         |
| 66L       | 14  | 6                | 6  | 1½ | (10) 0.162 x 2½ | 3     | ¾"   |           |
| 88L       | 14  | 8                | 8  | 2  | (12) 0.162 x 2½ | 3     | ½"   |           |
| 1212L     | 14  | 12               | 12 | 2  | (14) 0.162 x 2½ | 3     | ½"   |           |
| 66T       | 14  | 6                | 5  | 1½ | (8) 0.162 x 2½  | 3     | ¾"   |           |
| 128T      | 14  | 12               | 8  | 2  | (12) 0.162 x 2½ | 3     | ½"   |           |
| 1212T     | 14  | 12               | 12 | 2  | (12) 0.162 x 2½ | 3     | ½"   |           |

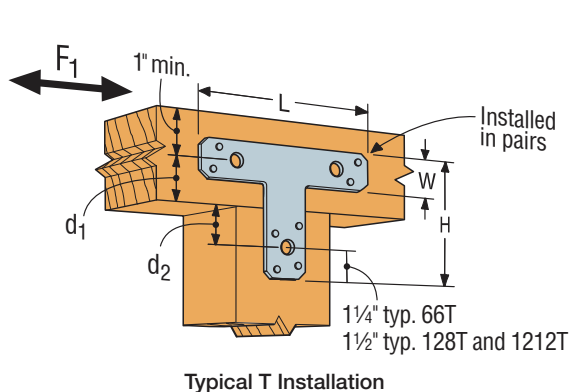
1. These connectors are not load rated; may be installed with nails or bolts.
2. **Fasteners:** Nail dimensions in the table are listed diameter by length. See pp. 21-22 for fastener information.



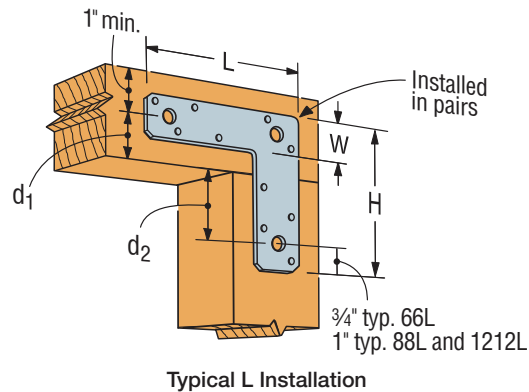
These products are available with additional corrosion protection. For more information, see p. 15.

| Model No. | Ga. | Dimensions (in.) |    |    | Minimum Bolt End and Edge Distances (in.) |    | Bolts |      | Allowable Loads <sup>1,2</sup> |                | Code Ref. |
|-----------|-----|------------------|----|----|---|----|-------|------|--------------------------------|----------------|-----------|
|           |     | W                | H  | L  | d1  | d2 | Qty.  | Dia. | Tension/Uplift                 | F <sub>1</sub> |           |
|           |     |                  |    |    |   |    |       |      | (100/160)                      | (100/160)      |           |
| 1212HL    | 7   | 2½               | 12 | 12 | 2½  | 4¾ | 5     | 5/8" | 1,535                          | 565            | —         |
| 1616HL    | 7   | 2½               | 16 | 16 | 2½  | 4¾ | 5     | 5/8" | 1,535                          | 565            |           |
| 1212HT    | 7   | 2½               | 12 | 12 | 2½  | 4¾ | 6     | 5/8" | 2,585                          | 815            |           |
| 1616HT    | 7   | 2½               | 16 | 16 | 2½  | 4¾ | 6     | 5/8" | 2,585                          | 815            |           |

1. 1212HL, 1616HL, 1212HT, and 1616HT are to be installed in pairs with bolts in double shear. A single part with bolts in single shear is not load rated.
2. Allowable loads are based on a minimum member thickness of 3½".
3. 1212HT and 1616HT loads assume a continuous beam.



Typical T Installation



Typical L Installation