

# SharkBite Max™

## Slip Ball Valve

SharkBite Max™ allows users to connect pipe with ease - no tools needed. This new design features a stainless steel retainer for extra strength, higher pressure ratings (250 psi) and a lower insertion effort than previous versions of SharkBite Brass Push-to-Connect fittings. SharkBite Max slip ball valves are compatible with copper and CPVC.

### Applications

Residential and commercial potable water, recirculation, hydronic heating/cooling (up to 50% glycol concentration) and direct burial.

### Specification Data

Materials	
Body	Lead-Free DZR Brass
O-ring	EPDM
Steel Retainer	304 Stainless Steel
Grab Ring	Stainless Steel
Seal Ring	PTFE
Ball	Chrome Plated Brass
Handle	Steel with PVC Coating
Lock Nut	Stainless Steel
Spindle	Lead-Free DZR Brass

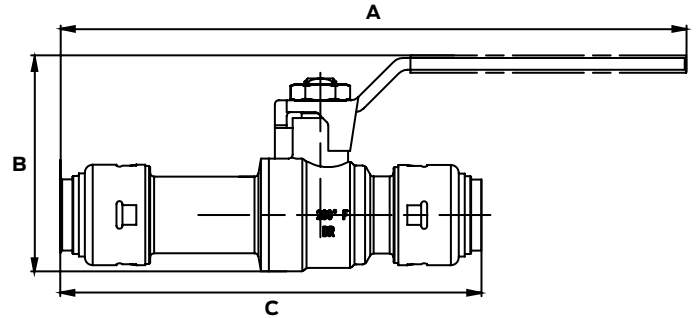
Pipe Insertion Depth		Performance	
Fitting Size	Insertion Depth	Max Working Pressure	
1/2"	1.00 in.	Max Pressure	250 psi
3/4"	1.25 in.	Max Temperature	200°F (93°C)

### Certifications & Listings

ASME A112.4.14/CSA B125.14, NSF/ANSI 14, NSF/ANSI/CAN 61, NSF/ANSI/CAN 372

For listing information, please contact Customer Service

\* HDPE installations must use a tube stiffener. Sold separately by HDPE manufacturer.



Dimensions (inches)				
Part #	Size	A	B	C
UR24735	1/2"	6.1	1.1	2.1
UR24736	3/4"	5.7	1.4	2.4

Product Submittal	
Name	
Date	
Architect/Owner	
Contractor	
Tag	
Notes	