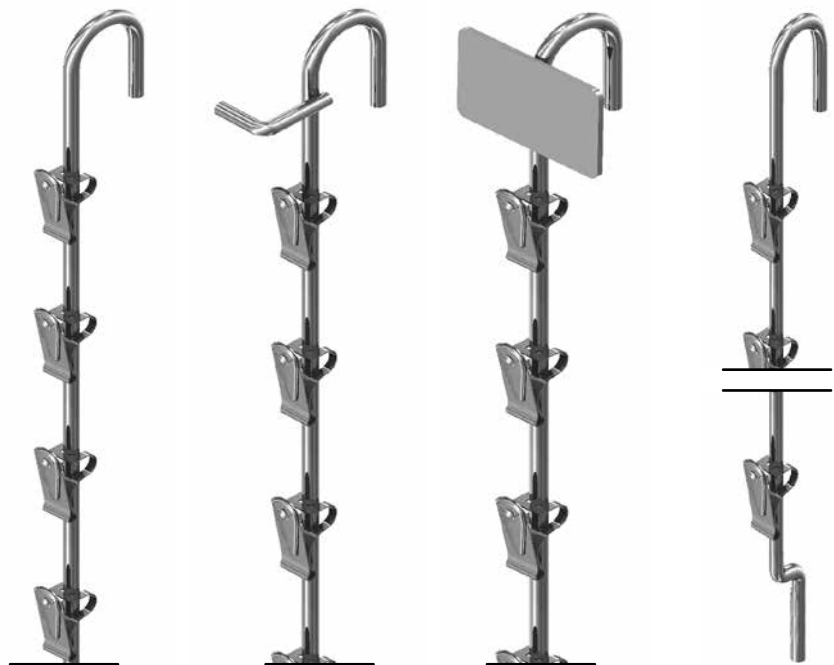
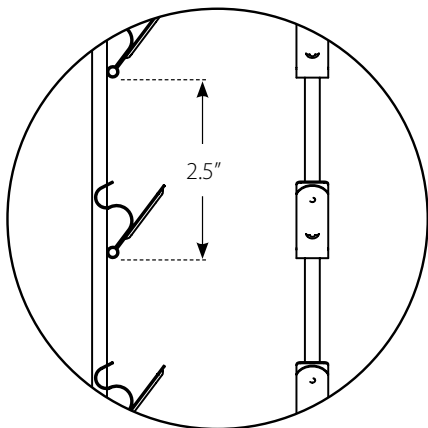




Wand Retailers



IMPULSE RETAILERS



All of Southern Imperial's wand retailers feature high quality spring steel clips designed to hold product securely in place. All wands have a standard 2.5" spacing between clips.

R44-WR-XX

R44-WR-12
12 Clips
32" Long

R44-WR-15
15 Clips
39.5" Long

Can hang in variety of locations.

.206" Dia. wire.

R44-SWR-XX

R44-SWR-12
12 Clips
32" Long

R44-SWR-15
15 Clips
39.5" Long

Designed to hold standard label holders.

.206" Dia. wire.

R44-SWR-1XP2

R44-SWR-12P2
12 Clips
32" Long

R44-SWR-15P2
15 Clips
39.5" Long

Standard 2" W x 1.25" H label plate.

.206" Dia. wire.

R44-WWR-XX

R44-WWR-12
12 Clips
32" Long

R44-WWR-15
15 Clips
39.5" Long

.206" Dia. wire

Bottom bend allows retailer to lock onto warehousing fixtures to prevent swinging.

Part #	Dimensions	Finish	Pack	Price Per	Under 1M	1M	2500
R44-WR-12	32" L, 12 Clips	Galv.	25	1	2.35	1.66	1.57
R44-WR-15	39-1/2" L, 15 Clips	Galv.	25	1	3.12	2.47	2.20
R44-SWR-12	32" L, 12 Clips	Galv.	25	1	2.75	2.57	2.18
R44-SWR-15	39-1/2" L, 15 Clips	Galv.	25	1	3.41	3.19	2.70
R44-SWR-12P2	32" L, 12 Clips, 2" Plate	Galv.	25	1	3.04	2.83	2.40
R44-SWR-15P2	39-1/2" L, 15 Clips, 2" Plate	Galv.	25	1	3.76	3.50	2.95
R44-WWR-12	32-5/8" L, 12 Clips	Galv.	25	1	3.29	2.63	2.42
R44-WWR-15	40-5/8" L, 15 Clips	Galv.	25	1	4.33	3.47	3.19

Additional volume discounts available. Call for pricing.