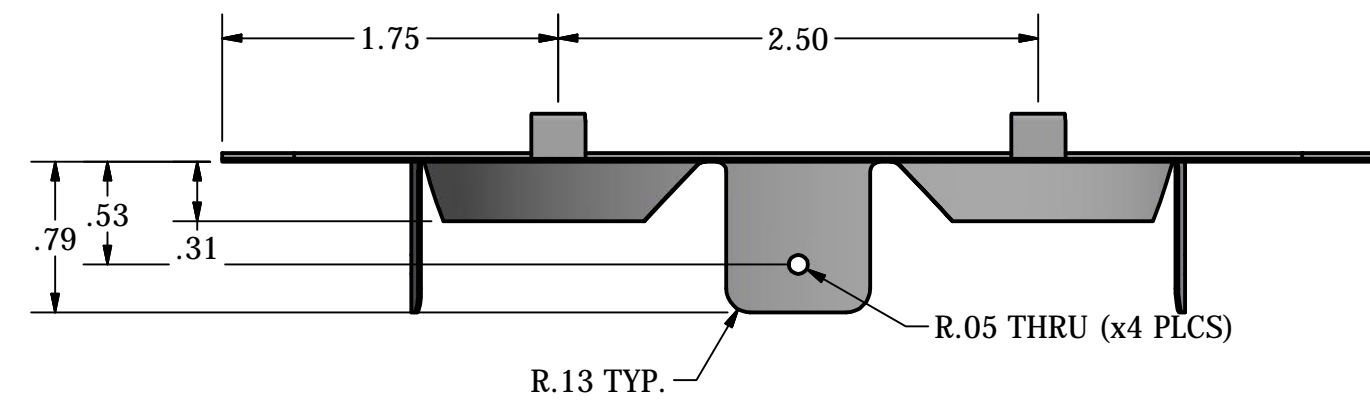
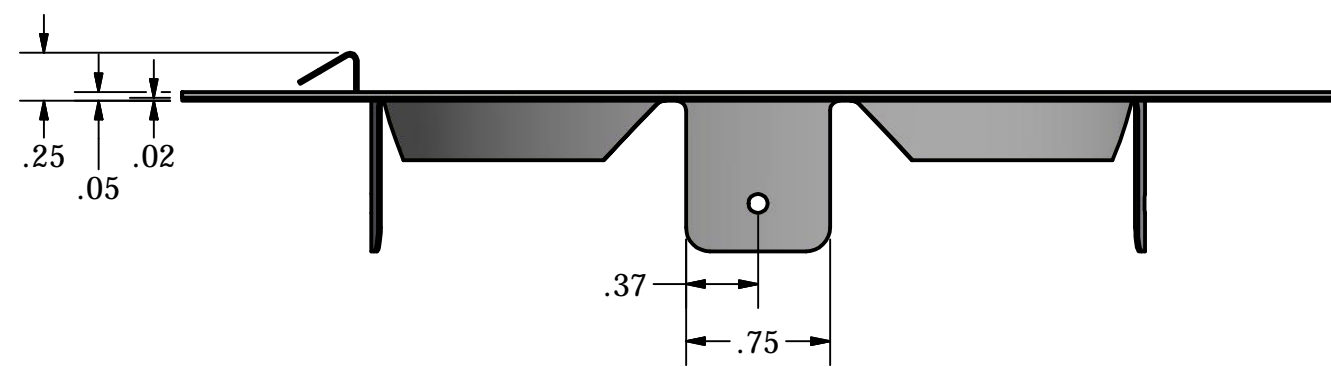
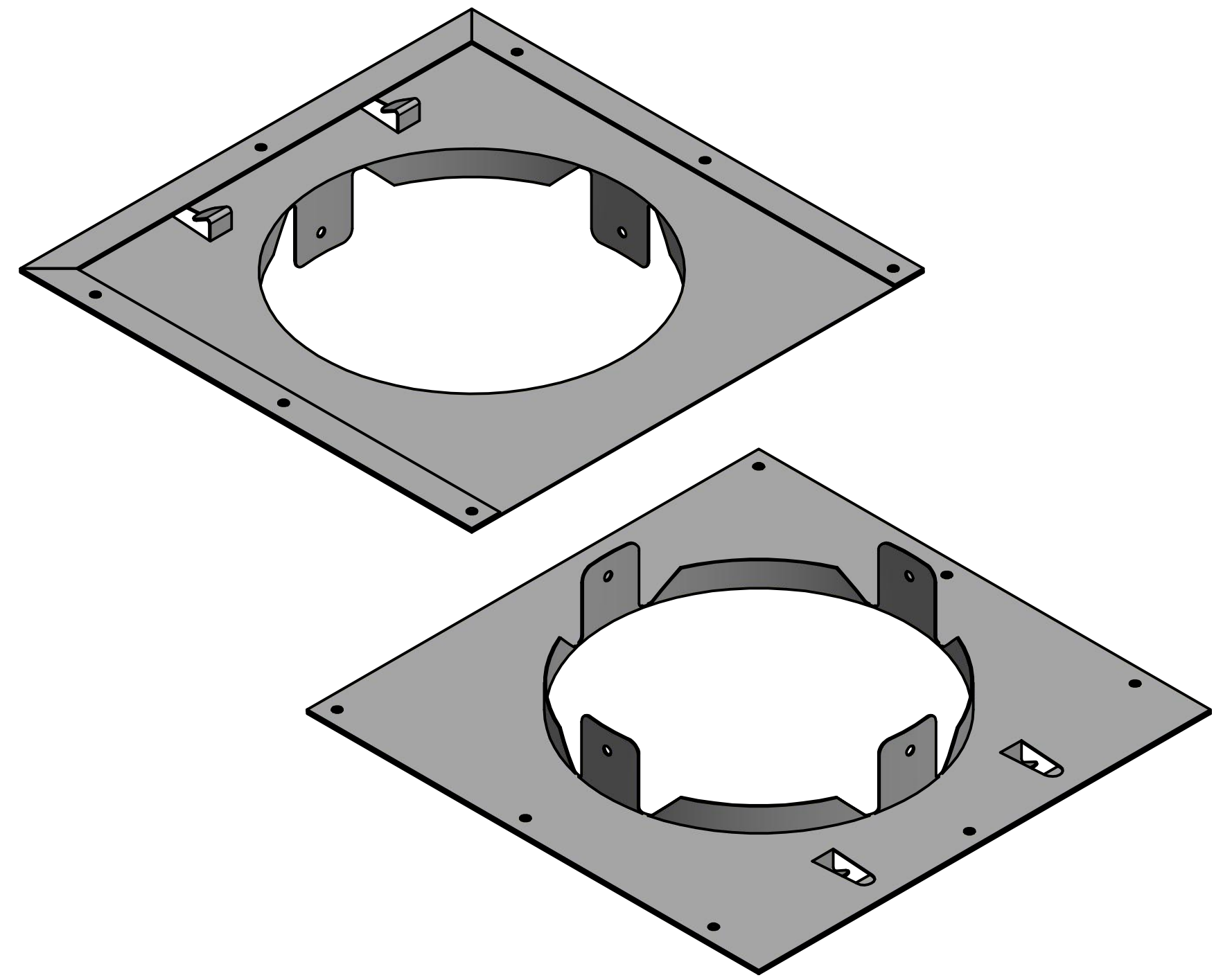
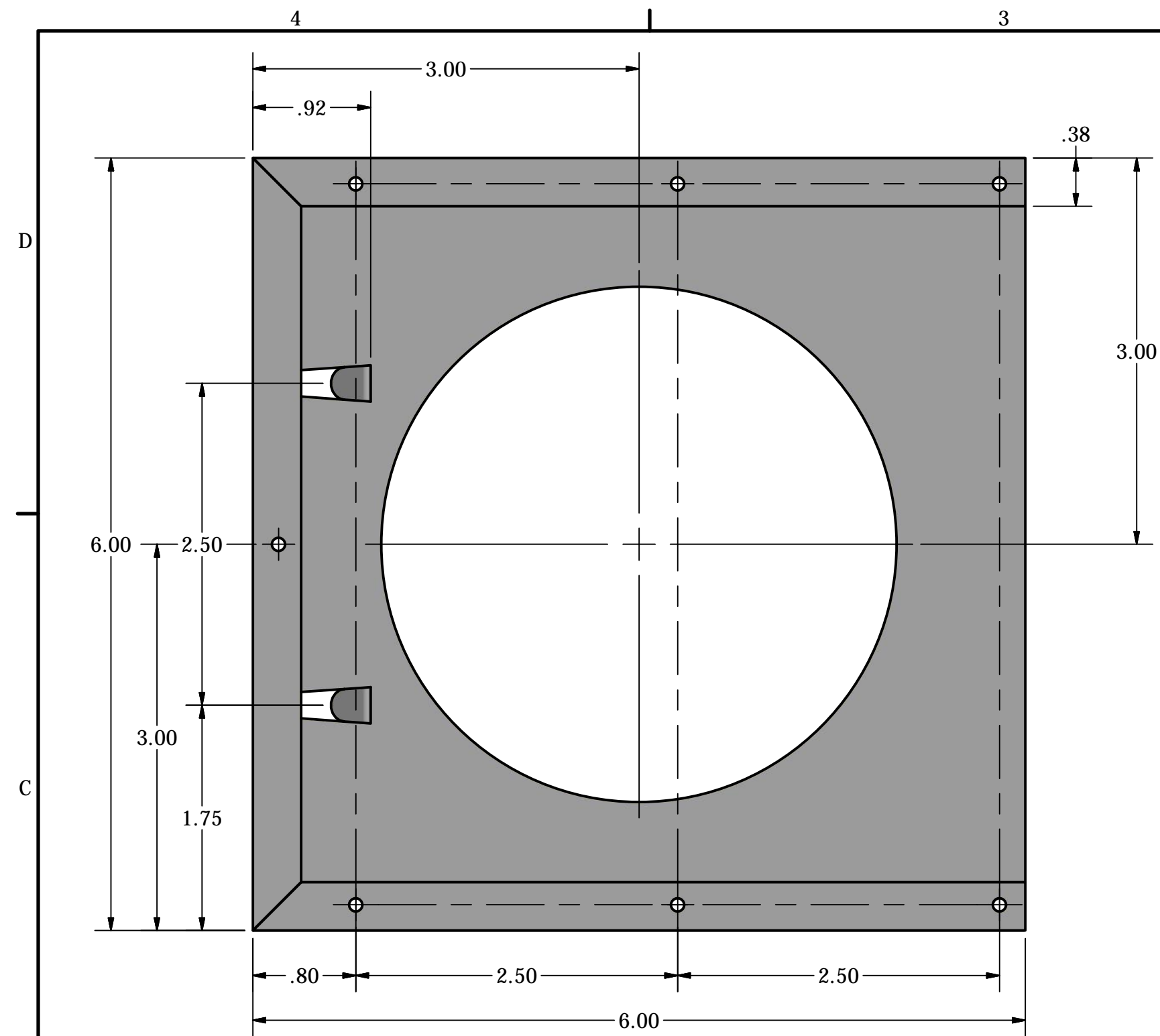
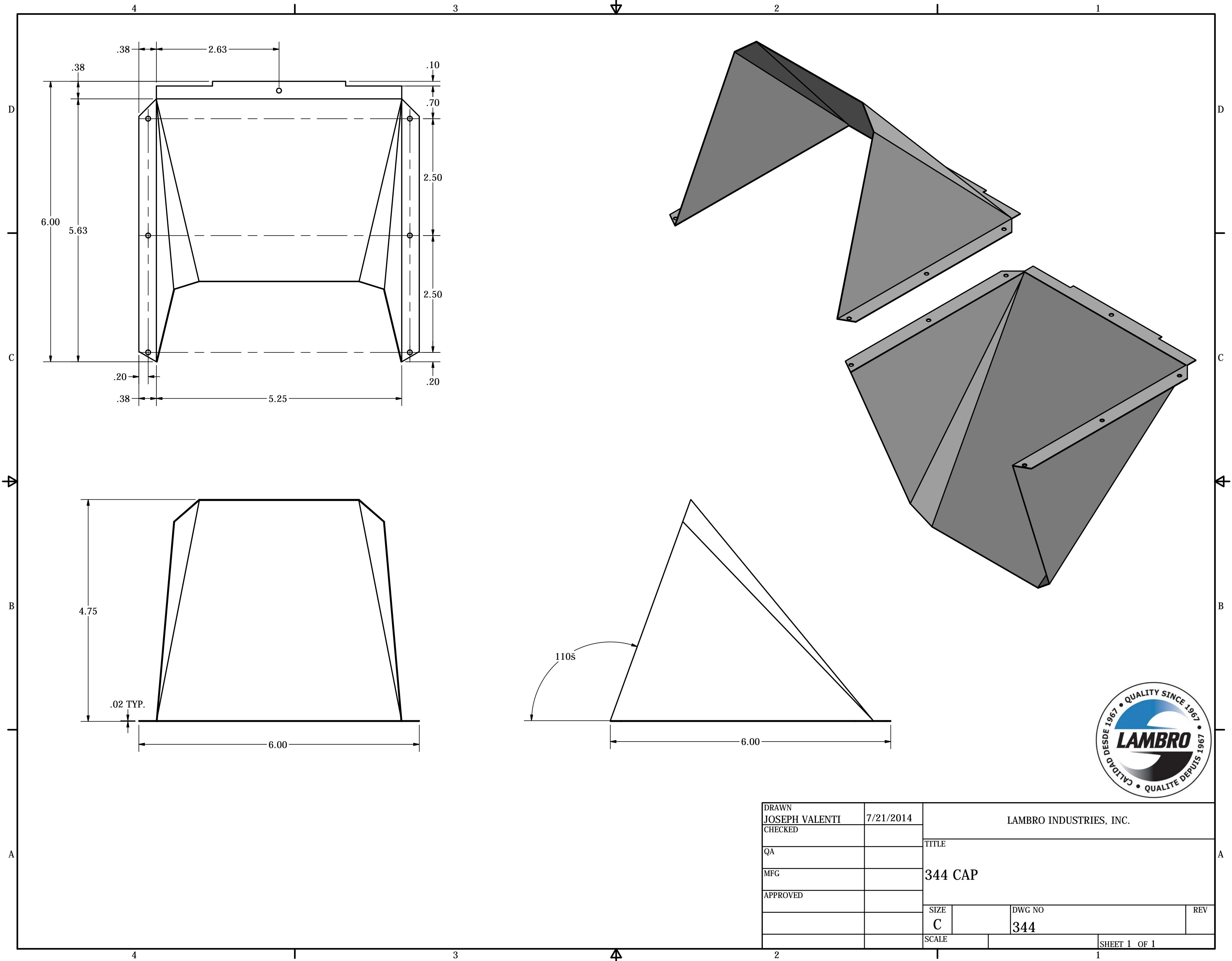


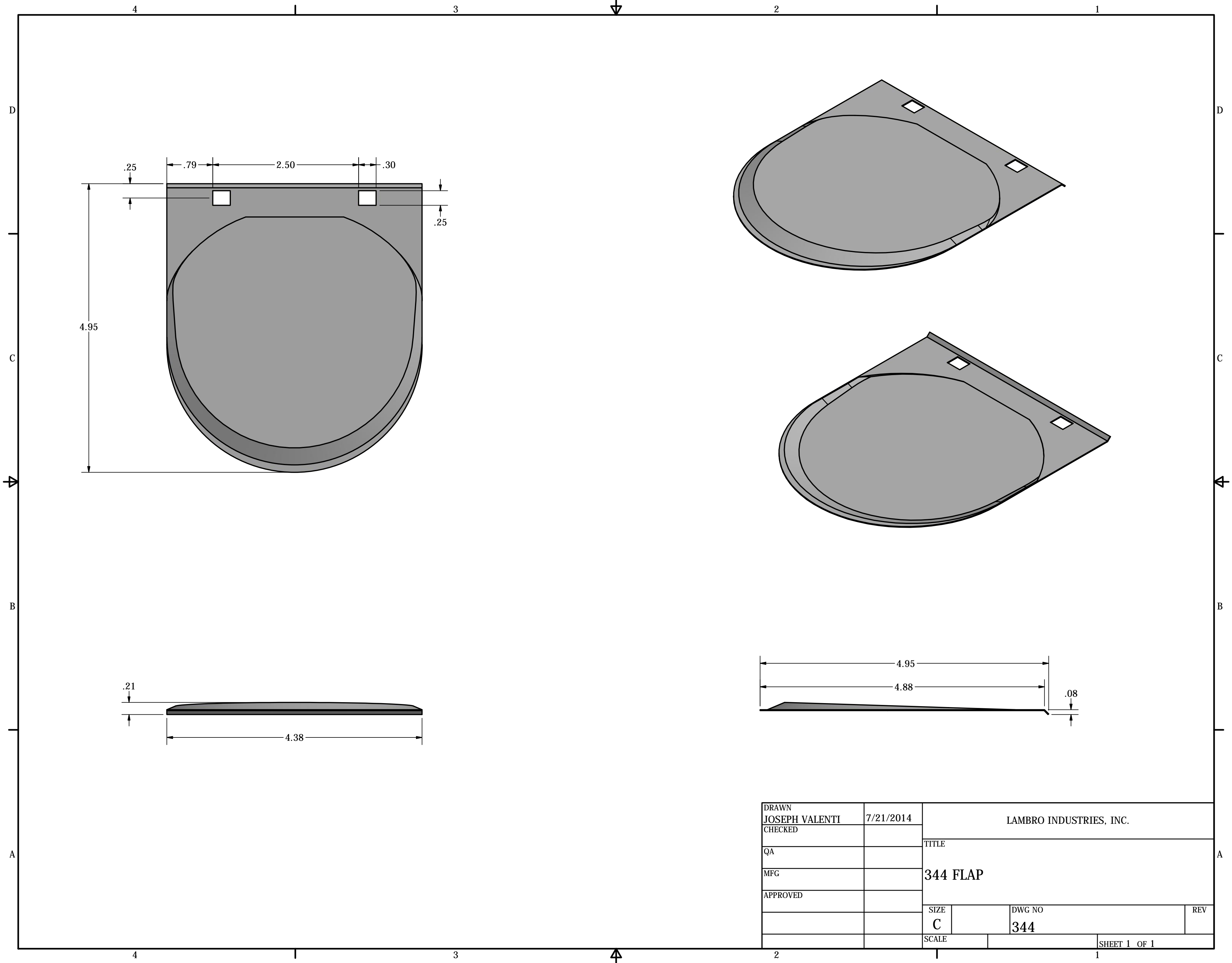
DRAWN JOSEPH VALENTI	7/21/2014	LAMBRO INDUSTRIES, INC.		
CHECKED		TITLE		
QA		344 ASSEMBLY	Aluminum Gauge	
MFG		Cover, Base & Flapper -.016 Tail Pipe -.010		
APPROVED		SIZE	DWG NO	REV
		D	344	
		SCALE	SHEET 1 OF 1	



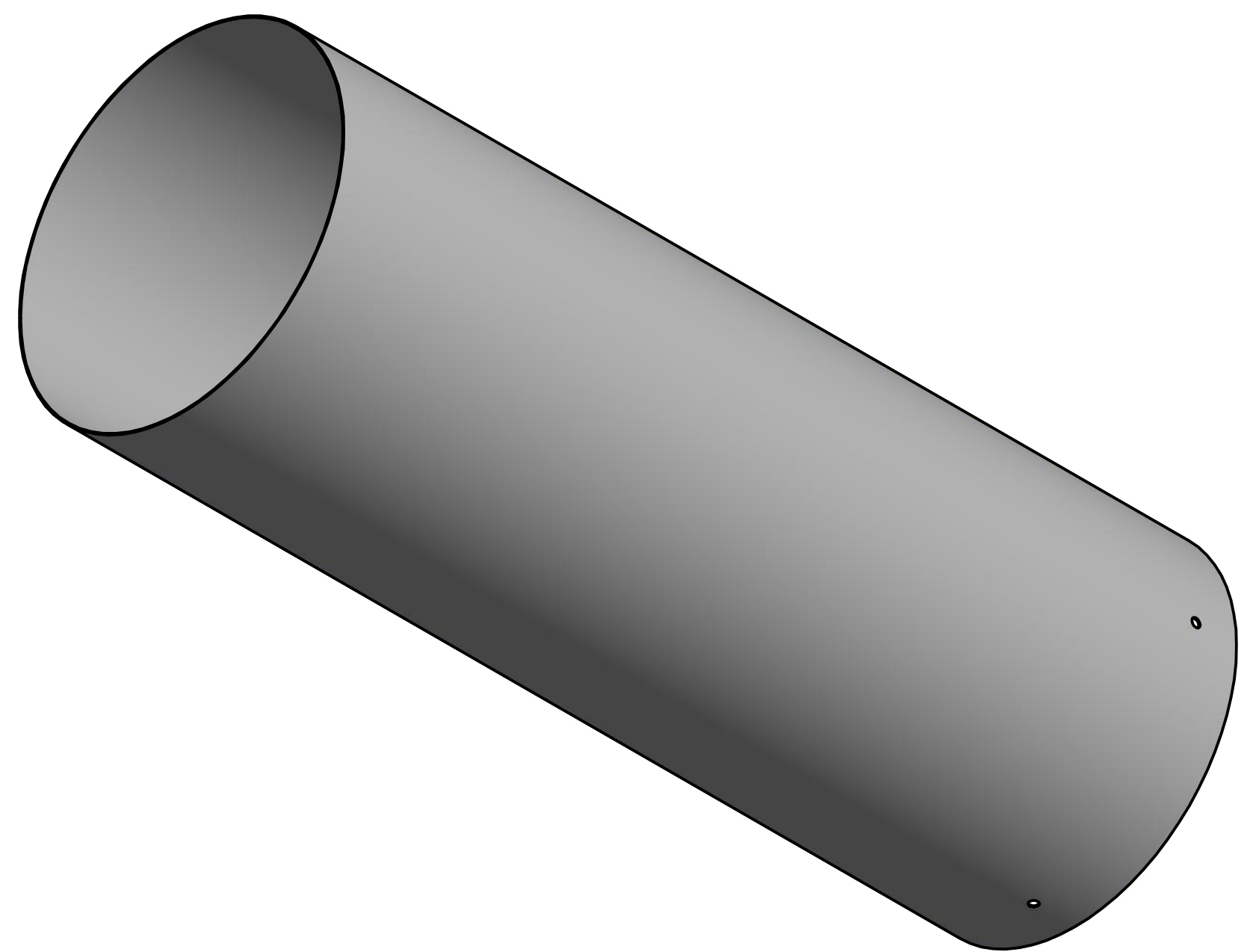
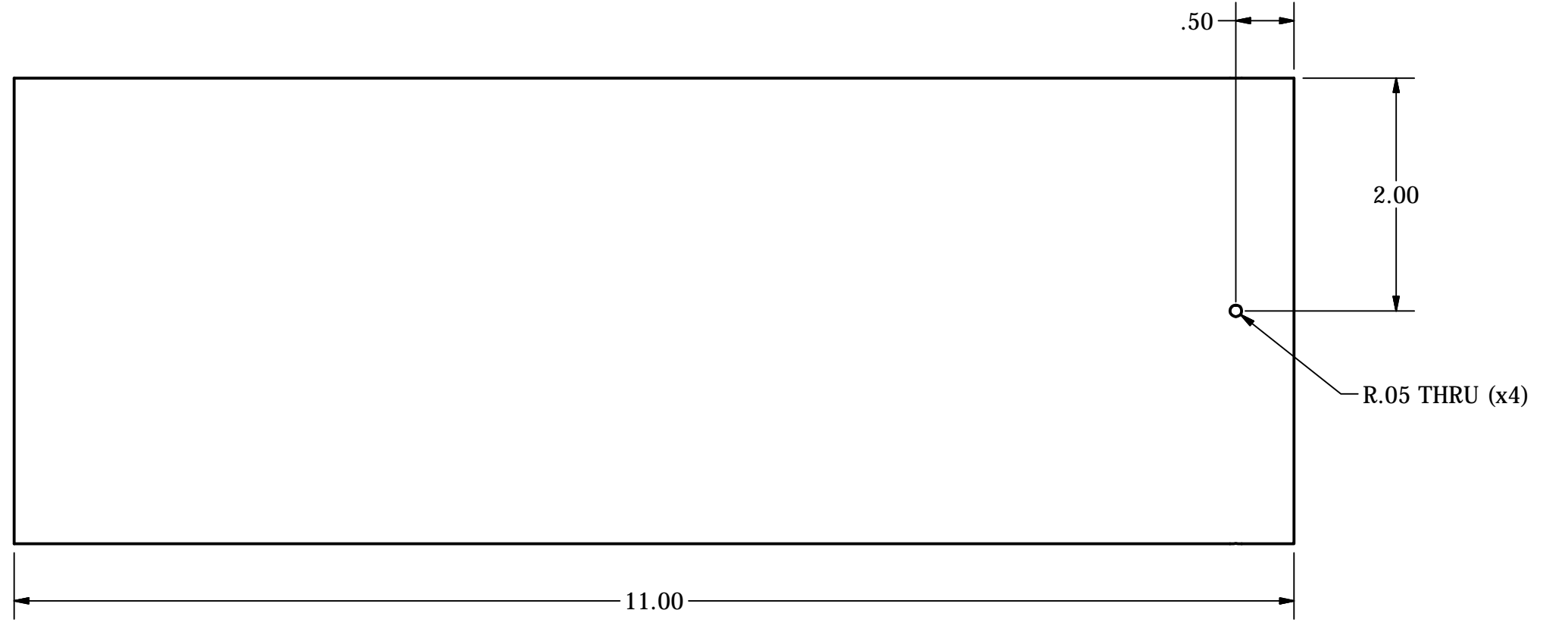
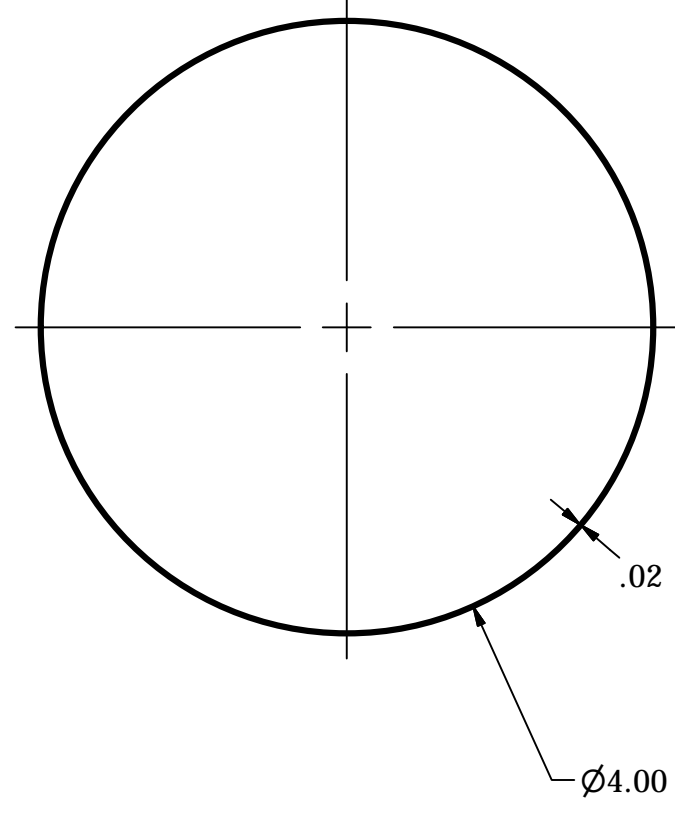
DRAWN JOSEPH VALENTI	7/21/2014	LAMBRO INDUSTRIES, INC.		
CHECKED		TITLE		
QA		344 BASE		
MFG		SIZE	DWG NO	REV
APPROVED		C	344	
		SCALE	SHEET 1 OF 1	



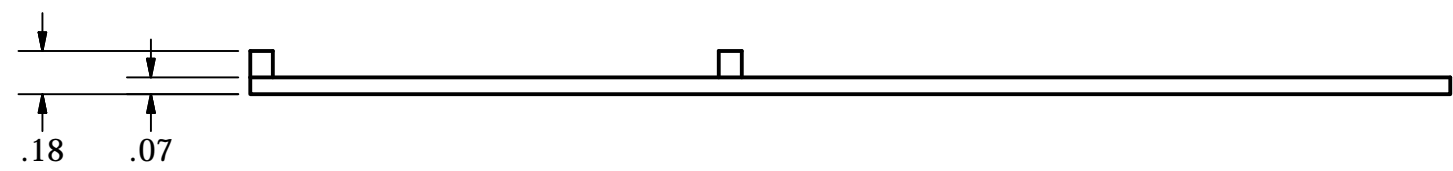
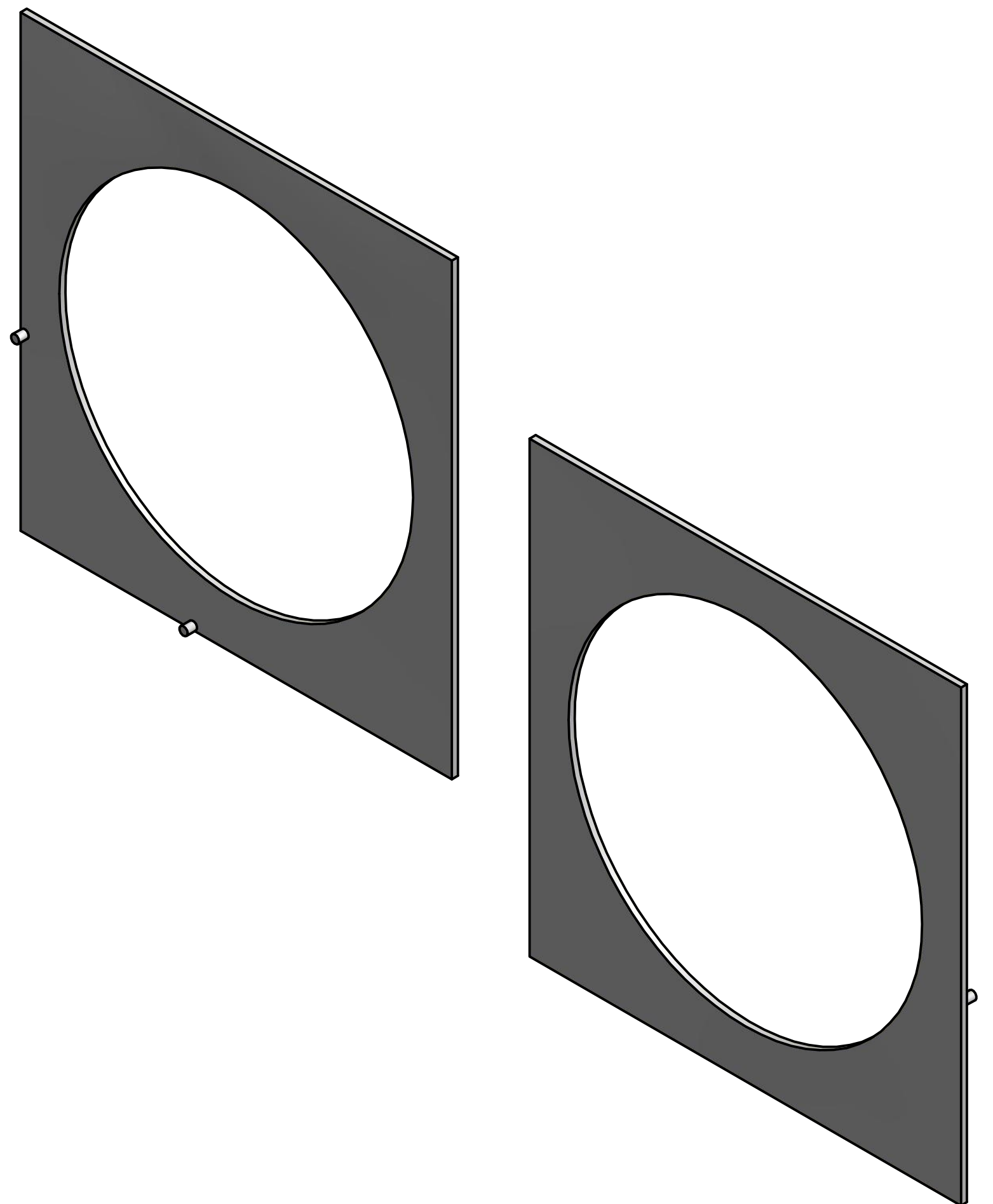
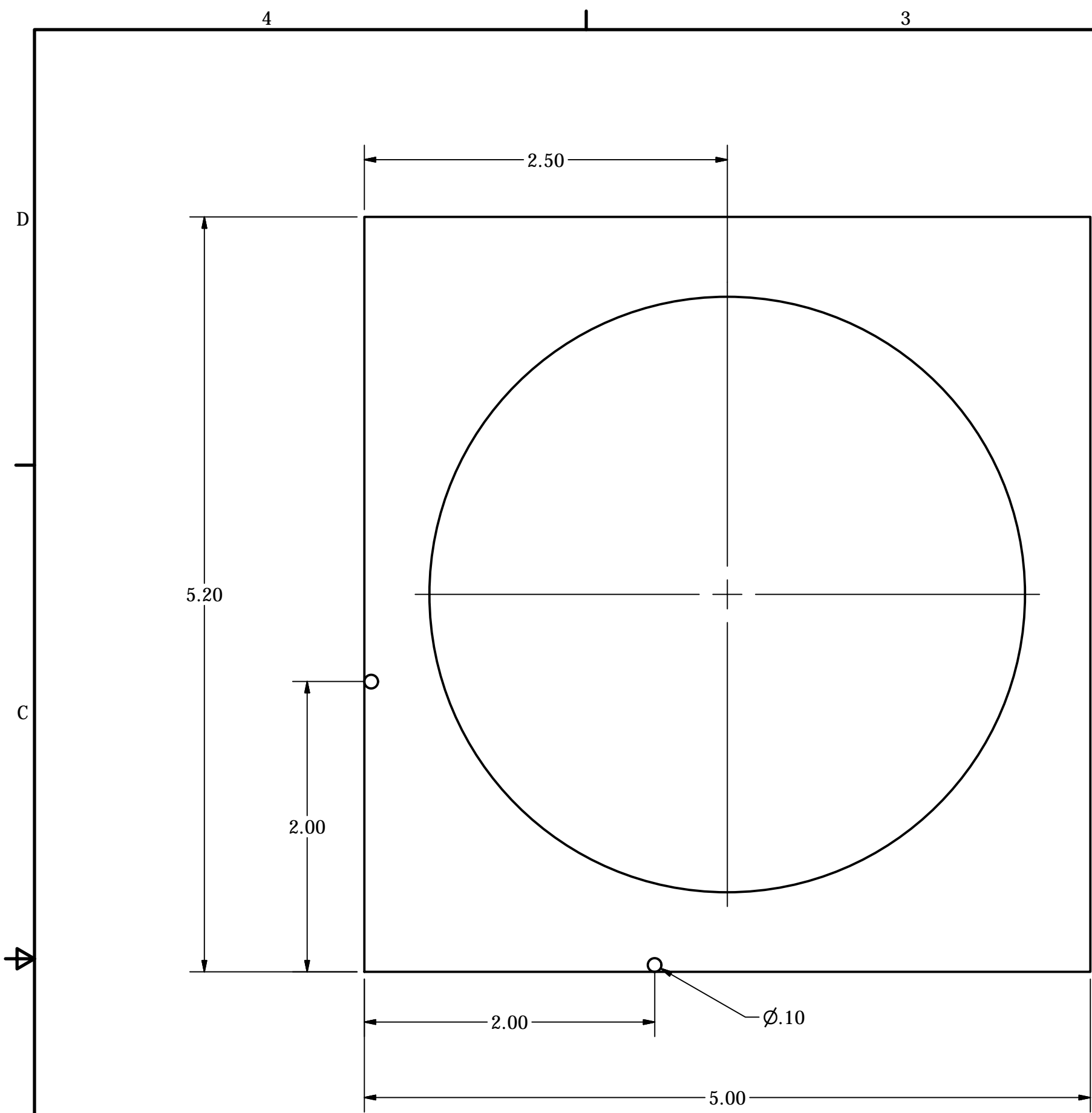
DRAWN JOSEPH VALENTI	7/21/2014	LAMBRO INDUSTRIES, INC.		
CHECKED		TITLE		
QA		344 CAP		
MFG		SIZE	DWG NO	REV
APPROVED		C	344	
		SCALE	SHEET 1 OF 1	



DRAWN JOSEPH VALENTI	7/21/2014	LAMBRO INDUSTRIES, INC.		
CHECKED		TITLE		
QA		344 FLAP		
MFG		SIZE	DWG NO	REV
APPROVED		C	344	
		SCALE	SHEET 1 OF 1	



DRAWN JOSEPH VALENTI	7/21/2014	LAMBRO INDUSTRIES, INC		
CHECKED		TITLE		
QA		344 TUBE		
MFG		SIZE	DWG NO	REV
APPROVED		C	344	
		SCALE	SHEET 1 OF 1	



DRAWN JOSEPH VALENTI	7/21/2014	LAMBRO INDUSTRIES, INC.		
CHECKED		TITLE		
QA		344 SPACER		
MFG		SIZE	DWG NO	REV
APPROVED		C	344	
		SCALE	SHEET 1 OF 1	