

# SMART

CABINETS<sup>®</sup>  
2019 Cabinet Specifications



# Certificate of Ownership

is hereby proclaimed by

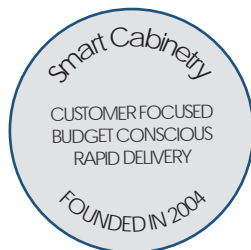
## Smart Cabinetry

We are humbled and thank you in your decision to choose our cabinets. Competition among cabinet companies throughout the world is fierce; and in spite of these conditions Smart Cabinetry has made progress due to its advanced management philosophy, designed to ensure a better future for its customers. Smart Cabinetry is growing into a brand appreciated by its customers because it is continuously striving to achieve the single goal of making good quality products with an emphasis on our customer. Our management philosophy is simple; trust and a hands-on approach are at the core of our business. We strive to be the *best*, which is only possible if our customers we value, our communities we live, the environment we operate, and our facilities where we manufacture are in balance. Smart Cabinetry has continued to engage in environmental activities such as the use and development of environmentally friendly technologies and clean production. Additionally, Smart Cabinetry is continuously striving to fulfill its responsibility as a good "citizen" - through organizational contributions to the communities we serve. Our values have not changed yet they continue to evolve with you, our customer.

Our pledge to you is to manufacture cabinets under our guiding principles:

**INTEGRITY.** The foundation for all that we do. Integrity includes honesty, decency, consistency, and courage. We are committed to building on these values. **DIALOGUE.** We will listen carefully to diverse points of view and engage in thoughtful dialogue. We will broaden our understanding of issues in order to better address the needs and concerns of our customers and each other. **TRANSPARENCY.** We will ensure that information is available, accessible, and understandable. **SHARING.** We will share knowledge and technology to advance our understanding, to improve our products and the environment. **BENEFITS.** We will use sound and innovative manufacturing practices and thoughtful and effective stewardship to deliver high-quality products that are beneficial to our customers and to the environment. **RESPECT.** We will respect the religious, cultural, and ethical concerns of people throughout the world. The safety of our employees, the communities where we operate, our customers, consumers, and the environment will be our highest priority. **ACT AS OWNERS TO ACHIEVE RESULTS.** We will create clarity of direction, roles, and accountability; build strong relationships with our customers and external partners; make wise decisions; steward our company resources; and take responsibility for achieving agreed-upon results. **CREATE A GREAT PLACE TO WORK.** We will ensure diversity of people and thought; foster innovation, creativity and learning; practice inclusive teamwork; and reward and recognize our people.

We will live by our values, have fun, and take pride in what we do. Our values are to maintain a work environment where people enjoy coming to work, to serve and exceed customer expectations, and to be profitable and result oriented.



# Table of Contents:

Online Order Entry	4	Tall Cabinets	41
Environmental Certifications	5	12" Deep Tall	41
Wood and Finish Characteristics	6	24" Deep Tall	42
Cleaning and Care / Minor Repairs	7 - 9	Tall Fronts	43
Door Styles: Standard Overlay	10 - 12	Tall Oven Cabinets	43 - 44
Door Styles: Modified Full Overlay	13 - 14	Broom Closets / Bookcases	45
Door Styles: Full Overlay	15 - 16	Universal Access	46
Construction Features / Photos	17	Sink Base (Removable Front)	46
Wall Cabinet Features	18	Sink Base (Pocket Door)	46
Base Cabinet Features	18	Wall Hung ADA & UFAS	46
Tall Cabinet Features	19	Vanity Cabinets	47
Vanity Cabinet Features	19	Sink Base Vanity	47
ANSI / ADA Compliant Cabinet Features	20	18" Deep Vanity	48
Cabinet Dimensions	21	Sink / Drawer Combo	48 - 49
Blind Cabinets: Minimum / Maximum Pulls	22	Vanity File	49
Cabinet Modifications	23	Standard with Drawers	50 - 51
Wall Cabinets	24	Vanity Sink Fronts / Knee Drawers	51
Standard Wall	24 - 26	Wall Boutique / Tall Linen	52
Blind Wall	27	Accessories	53
Corner Wall	27 - 28	Floating Shelves / Roll Out Shelves	53
Appliance Garages	28	Pull out Storage / Tilt Out Sink Trays	54
Peninsula Wall	28 - 29	Toe Kicks / Skins	54
Microwave Wall / Stacked Wall Cabinets	29 - 30	Waste Bins / End Panels	55
Open Shelf Wall	31	Fillers / Legs / Brackets / BEP 75 Panels	56 - 57
Wine Rack	32	Valances / Moulding / Light Rail	58 - 60
Wall Organizers	32	Shelves / Sink Floor / Veneer Shelving	60
Base Cabinets	33	Hinges / Heat Shields	61 - 62
Standard Base	33 - 34	Lazy Susan / Touch Up / Drawer Slides / <b>GRASS</b> Slides	62
Drawer Bases	34	Screws / Bumpers / Shelf Clips / False Front Clips	63
Sink Base / Farm Sink	34 - 35	Square Tapered Leg / Square Post leg	64
Base Microwave Cabinets	35	Troubleshooting Guide	65
Blind Base	36	step by step guide available at <a href="http://www.smartcabinetry.com/cabinetinstallation.php">www.smartcabinetry.com/cabinetinstallation.php</a>	
Corner Base / Lazy Susan	36 - 37	Frequently Asked Questions	66
Peninsula Base	38	Accessorial Charges / Installation Tips	67
Open Shelf	38	Claims Instructions / Disclaimer for Painted Wood	68 - 69
Angled End Base	39	Warranty	70 - 71
Sink Fronts	39 - 40	Notes	72 - 73
Range Riser / Benches	40		

# Online Order Entry



[← Back to Report](#)

## Customer Information

Customer Purchase Order Number (limited to 24 characters)

Account

Bill To

Bill To Address

Bill To Address Line 2

City State Zip

Customer Phone Number Customer Fax Number

## Order Information

New Order  Warranties must be completed on Claims Form. Include photos via email or fax.

Order Type

Select a Door Style  Wood Species Panel Type

Door Style

Select a Finish  Glaze: N/A  Glaze

Finish

Select a Slide  Slide Cost List (Per Drawerbox)

Slide

Select Construction  Construction Type

1.00 Estimated Multiplier

We're very pleased to offer our Online Order Entry system to our Dealers. As a valued customer, you'll now be able to create, modify, duplicate, and submit any order online from our website! Orders entered online reduce confirmation errors, and allow for quicker order submissions.

To get started, contact customer support for your unique log-in ID and Password. Visit [www.SmartCabinetry.com](http://www.SmartCabinetry.com), and start entering orders **the smart way**.

Confirmation	Customer PO	Door Style
N/A	Order 2	Freeport
N/A	Order 1	Alpine

## Copy Orders

Duplicate an order at the push of a button. Copy all of your order's data into a new order where you can change anything you'd like. And now you can submit multiple orders at once too. Large project work can be entered in a matter of minutes!

Item	Quantity	List	Net
B12	1	\$248.00	\$248.00
B15	2	\$260.00	\$260.00
B18	3	\$271.00	\$271.00
B21	4	\$279.00	\$279.00
B24	5	\$306.00	\$306.00
B27	6	\$321.00	\$321.00
B30	7	\$359.00	\$359.00
B33	8	\$374.00	\$374.00
B36	9	\$382.00	\$382.00
B39	1	\$399.00	\$399.00
B39-		0.00	0.00

## Cabinet SKU's at your fingertips

Our new SKU list has auto-completion, so finding the right part number has never been easier. The new system makes it a breeze to submit an order to us, saving you and your customers time.

Online Ordering available only for registered dealers of Smart Cabinetry. Dealers must apply through our application process including the following forms: Distributor / Dealer Profile, Personal Guarantee, DNBI: Credit Application (must be completed online), and the Tax Exempt Form. Information regarding the application process can be found on our website: [www.smartcabinetry.com/creditpolicy.php](http://www.smartcabinetry.com/creditpolicy.php)

# Environmental Certifications & Memberships



Smart Cabinetry is nationally recognized by ANSI/KCMA to have passed a rigorous battery of tests that simulate many years of typical household use. Testing is performed by approved third party independent

laboratories. Samples for testing are selected in an unannounced visit to our manufacturing plant. To find more information about KCMA, visit [kcma.org](http://kcma.org)



Membership benefits allow us to focus on what we do best; provide quality built cabinets at an affordable cost.



KITCHEN CABINET MANUFACTURERS ASSOCIATION  
ENVIRONMENTAL STEWARDSHIP PROGRAM (ESP)  
ALL PRODUCTS IMPACT THE ENVIRONMENT  
FOR ESP PROGRAM CRITERIA, VISIT [KCMA.ORG](http://KCMA.ORG)

The Kitchen Cabinet Manufacturers Association developed the Environmental Stewardship Program to encourage practices that benefit the environment.

The voluntary program gives cabinet manufacturers a way to demonstrate

their commitment to sustainability and helps to identify products that are better for you, your home, and the environment.



USGBC is Smart Cabinetry's source for up-to-date, information on the LEED rating systems. Find more info about LEED at [usgbc.org/leed](http://usgbc.org/leed)

# Wood & Finish Characteristics

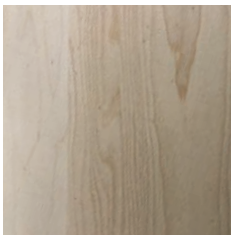


## Maple



The maple wood used by Smart Cabinetry comes from the colder climates of upper Michigan and Pennsylvania. These supplies are manufactured within 25 miles of our plant and delivered daily assuring Smart Customers the whitest of wood without developing any staining. Even though maple is quick growing, its grain is straight, fine-textured, and strong. Within the grain are variations in color ranging from light to dark reddish brown as well as mineral streaks, swirls, and pitch flecks. Over the years, the interaction of sunlight with the oxygen in the wood will give your cabinetry a soft golden glow.

## Northern Red Oak



Smart Cabinetry receives its red oak wood components and panel products from vendors within 25 miles of our plant and delivered daily. Red oak's grain is quite dominant and varies from straight lines to arched or pointed patterns. Colors in the heartwood range from pink to green as well as from light to dark, whereas the sapwood of red oak is white to light brown. Like so many other woods, the color of red oak cabinetry deepens as the wood interacts with natural light. The wood is similar in general appearance to white oak, but with a slightly less pronounced figure due to the smaller rays.

## Painted Finishes



We are pleased to offer painted door styles. As climate and environments fluctuate in temperature and humidity, organic components will shrink and expand variably. These natural occurrences can create cracks and/or seams in the painted surface. Page 67 of this book discusses many situations that may arise from using painted cabinetry. It is important to understand how painted surfaces will behave prior to ordering your next kitchen.

## Smart Wood Finishes

The coatings applied to our cabinets consist of LOW VOC environmentally safe materials. All top coats and stain coatings used by Smart Cabinetry meet or exceed Green Guard Emission Standards. In addition to our environmental stewardship, our coatings have a high durability: resistance to stains, abrasion, chemical, impact, and scratch resistance are among our long list of advantages. Smart Cabinetry's coatings create less waste and use less energy, which ultimately allow us to continue our mission to deliver above industry value at affordable prices. Naturally, however, your choice of wood species will have the most impact on the cabinet's final appearance,

because wood grain and natural characteristics will show through stain colors. Color stains will render the actual color of the cabinet, bring out the natural beauty of the wood, and amplify those inherent "character marks." Softer areas of the wood will accept more stain and often appear darker than other areas. Potential "natural" variances in color cannot be controlled even with the latest technology in diamond tooling and sanding in multiple stations through out our facility. Differing densities inherently create different effects regardless of the hours expended selecting only the finest hardwoods.



# Cleaning & Care



A soft cotton cloth dampened with warm water is usually sufficient to clean your cabinets. If more thorough cleaning is required, use on the following cleaning solutions:

- A mixture of dishwashing liquid and warm water.
- A mild all-purpose cleaner. Make sure it does not contain ammonia, silicone, or acid.

Use the mildest cleaning solution that will successfully clean your cabinets. Stronger products may damage or discolor your cabinet finish and are not recommended. After cleaning, wipe all surfaces with a clean, damp cloth. Dry immediately using another soft, clean cloth.

## Splatters and Spills

Clean spills and splatters immediately. Prolonged exposure to spills, including food, water, other liquids, oil, and grease splatters can cause permanent discoloration or damage to your cabinet's finish.

The cabinetry you have selected has its own personality and character, as well as a richness and depth in its color and grain. You may notice the variations in the grain and color of your cabinet if you have selected a natural or light finish. Variations will be less apparent with darker stains. Your cabinets have been constructed from carefully selected quality hardwoods. Because imperfections are part of the natural beauty of hardwood, and not the result of the manufacturing of your cabinets, your warranty cannot cover differences in color, grain and other natural variations. Nor can it cover possible differences in color when adding new cabinetry to old. We encourage you to enjoy the natural beauty of solid wood and appreciate those characteristics that give it personality.

## Cleaning Products to Avoid

Avoid using the following products on your cabinets:

- Harsh chemicals including ammonia and bleach.
- Abrasive cleaning products such as tub and sink cleaners, scouring powder, scouring pads, or steel wool.
- Sponges or dish cloths. They may contain particles that could scratch your cabinets, or they may contain food and oil residue.
- Solvent-based or petroleum-based products such as mineral spirits, nail-polish removers or paint thinners.
- Silicone-based cleaning, waxing or polishing products.

## Regular Dusting

Use a clean, soft and lint-free cotton cloth for regular dusting. Packaged dusting sheets are not required or recommended. Do not use pre-moistened dusting sheets, and do not use aerosol products made for dusting.

## Waxing and Polishing

Waxing is not required or recommended. Over time, waxing and polishing compounds may build up on the surface of your cabinets and cause a hazy, streaky or yellowed appearance.

# Cleaning & Care



## Cleaning Glass Doors

Extra care is required when cleaning glass doors. Spray an ammonia-free glass cleaner on a clean, soft, lint-free cloth or paper towel. Do not spray cleaner directly on the glass. It could seep behind the window dividers and cause damage.

## Scratches, Gouges, and Nicks

A touch-up kit is available to hide surface damage. Contact the sales representative or distributor where you purchased your cabinetry to purchase the color-matched touch-up kit for your specific cabinets. Use the kit's touch-up pen to hide minor blemishes. Use the kit's tinted putty stick to fill deeper scratches, gouges or nicks. Detailed instructions are provided in each kit.

## Avoid Moisture Damage

Avoid draping damp clothes or dish towels over cabinet doors. This moisture can cause permanent damage, such as peeling and discoloration, to the cabinet's finish.

## Avoid Heat Damage

The heat generated when using an oven's self-cleaning feature is much greater than during normal use. This heat can damage nearby cabinetry. Although this is a rare occurrence, you can minimize the risk of heat damage by removing cabinet doors and drawers nearest the oven before using its self-cleaning feature.

## Avoid Light Damage

Exposure to direct sunlight tends to darken the color of natural wood products. Sunlight can also fade painted wood surfaces. You should consider draperies or blinds to shield your cabinets from direct sunlight.

Additional information about your cabinets can be found at [www.smartcabinetry.com](http://www.smartcabinetry.com).



Lansing in Stone



Squire shown in Root Beer



Lexington shown in Polar White and Harbor Gray



Rockport shown in Slate



# Minor Repairs



Minor door alignment can be corrected by adjusting the hinges. Generally, when you open the cabinet door, you will find the side-to-side adjustment slot on the door part of the hinge and the up and down adjustment on the frame portion of the hinge. Simply tighten / loosen these screws to adjust the cabinet door.

Minor roughness in end grain can be corrected with "light weight sanding paper" and top coat. If concerned please call dealer.

You may encounter some unavoidable situations that create minor problems with your cabinetry. Before calling your dealer/installer for help, consider the following:

Minor scratches or dents in your cabinetry can be treated with a touch up kit. For major damage like severe scratching, broken doors or drawers, paint spills, etc., call your dealer for help or replacement.

If over time screws become loose on hinges, you can achieve a temporary fix by gluing a small diameter dowel rod into the hole using a high quality wood glue. Cut the dowel rod flush with the top of the screw hole and place into the hole. Let the glue dry and then replace the screw. Do not over tighten, or you will risk stripping it out again.

In most cases your cabinetry is protected by our five year guarantee from the hardware manufacturer. For hinges and hardware that do not work properly, contact your dealer for assistance.

When adding additional cabinetry in the same room at a later date, consider the following:

To help minimize the color differences between any old and new units: Place the new cabinetry on a different wall, so any color difference won't be as noticeable. Replace existing trim and molding with darker/lighter wood to give the old and new cabinets a unified look. Experiment with multiple finishes in the same wood species for a new look.



Montana shown in Polar White



Northport shown in Slate



Denver shown in Polar White

# Door Styles: Standard Overlay



Bridgeport - Powder Coated

Finish	<u>Polar White - Textured Finish</u>
Door	<u>Routed Raised Panel</u>
Profile	<u>Reversed Bevel</u>
Drawer	<u>Solid Front</u>
Frame	<u>Maple</u>

*9" wide cabinets have slab doors.*



Arctic - Powder Coated

Finish	<u>Polar White-Smooth Finish</u>
Door	<u>Solid Slab</u>
Profile	<u>Square Edge</u>
Drawer	<u>Solid Front</u>
Frame	<u>Maple</u>

Portage - Maple

Finish	<u>Ginger, Honey, Pecan, Carmel, Root Beer, Chestnut, Slate, Coffee, Polar White*, Buttercream*, Stone*, Harbor Gray*</u>
Door	<u>V-Notch</u>
Profile	<u>Square Edge</u>
Drawer	<u>Slab Drawer Front, can be upgraded to 5-piece</u>



Brighton - Maple

Finish	<u>Ginger, Honey, Pecan, Carmel, Root Beer, Chestnut, Slate, Coffee, Polar White*, Buttercream*, Stone*, Harbor Gray*</u>
Door	<u>Veneer Flat Panel</u>
Profile	<u>Reversed Bevel</u>
Drawer	<u>Slab Drawer Front, can be upgraded to 5-piece</u>



Chateau - Maple

Finish	<u>Ginger, Honey, Pecan, Carmel, Root Beer, Chestnut, Slate, Coffee, Polar White*, Buttercream*, Stone*, Harbor Gray*</u>
Door	<u>Routed Slab</u>
Profile	<u>Reversed Bevel</u>
Drawer	<u>Solid Front</u>

\*Painted - disclaimer on page 69  
Printed finish coloring is for representation only. Order samples for accurate color matching.

# Door Styles: Standard Overlay Continued



Prescott - Maple

Finish	Ginger, Honey, Pecan, Carmel, Root Beer, Chestnut, Slate, Coffee, Polar White*, Buttercream*, Stone*, Harbor Gray*
Door	Veneer Raised Panel
Profile	Reversed Bevel
Drawer	Solid Front



Carolina - Maple

Finish	Ginger, Honey, Pecan, Carmel, Root Beer, Chestnut, Slate, Coffee, Polar White*, Buttercream*, Stone*, Harbor Gray*
Glaze	Pewter, Chocolate, Black
Door	Veneer Raised Panel Miter
Profile	Reversed Bevel
Drawer	5 piece Double Channel Miter



Pacific - Maple

Finish	Ginger, Honey, Pecan, Carmel, Root Beer, Chestnut, Slate, Coffee, Polar White*, Buttercream*, Stone*, Harbor Gray*
Glaze	Pewter, Chocolate, Black
Door	Veneer Flat Panel Miter
Profile	Reversed Bevel
Drawer	5 piece Double Channel Miter



Hudson - Oak

Finish	Nutmeg, Pecan, Spice, Slate, Coffee
Door	Veneer Flat Panel
Profile	Square Edge
Drawer	Solid Front



Rockport - Maple

Finish	Ginger, Honey, Pecan, Carmel, Root Beer, Chestnut, Slate, Coffee, Polar White*, Buttercream*, Stone*, Harbor Gray*
Door	Solid Slab
Profile	Square Edge
Drawer	Solid Front

\*Painted - disclaimer on page 69  
Printed finish coloring is for representation only. Order samples for accurate color matching.

# Door Styles: Standard Overlay Continued



Dover - Oak

Finish	<u>Nutmeg, Pecan, Spice, Slate, Coffee</u>
Door	<u>Veneer Flat Panel</u>
Profile	<u>Reversed Bevel</u>
Drawer	Solid Front



Edgewood - Oak

Finish	<u>Nutmeg, Pecan, Spice, Slate, Coffee</u>
Door	<u>Solid Slab</u>
Profile	<u>Square Edge</u>
Drawer	Solid Front



Sheffield / Squire - Maple

Finish	<u>Ginger, Honey, Pecan, Carmel, Root Beer, Chestnut, Slate, Coffee, Polar White*, Buttercream*, Stone*, Harbor Gray*</u>
Door	<u>Veneer Flat Panel</u>
Profile	<u>Reversed Bevel (Sheffield), Square Edge (Squire)</u>
Drawer	<u>Slab Drawer Front, can be upgraded to 5-piece</u>



Oxford - Oak

Finish	<u>Nutmeg, Pecan, Spice, Slate, Coffee</u>
Door	<u>Veneer Raised Panel</u>
Profile	<u>Reversed Bevel</u>
Drawer	Solid Front



Lexington - Maple

Finish	<u>Ginger, Honey, Pecan, Carmel, Root Beer, Chestnut, Slate, Coffee, Polar White*, Buttercream*, Stone*, Harbor Gray*</u>
Door	<u>Veneer Flat Panel</u>
Profile	<u>Square Edge</u>
Drawer	<u>Slab Drawer Front, can be upgraded to 5-piece</u>



# Door Styles: Modified Full Overlay



Lancaster - Maple

Finish	Ginger, Honey, Pecan, Carmel, Root Beer, Chestnut, Slate, <b>Coffee</b> , Polar White*, Buttercream*, Stone*, Harbor Gray*
Door	Veneer Raised Panel
Profile	Reverse Bevel
Drawer	Solid Front



Freeport - Maple

Finish	<b>Ginger</b> , Honey, Pecan, Carmel, Root Beer, Chestnut, Slate, Coffee, Polar White*, Buttercream*, Stone*, Harbor Gray*
Door	Solid Slab
Profile	Square Edge
Drawer	Solid Front



Montana - Maple

Finish	Ginger, Honey, Pecan, Carmel, Root Beer, <b>Chestnut</b> , Slate, Coffee, Polar White*, Buttercream*, Stone*, Harbor Gray*
Door	Veneer Flat Panel, 3-1/4" Rail
Profile	Square Edge
Drawer	Solid Front

9" wide cabinets have reversed cope and rails.



Omaha - Oak

Finish	<b>Nutmeg</b> , Pecan, Spice, Slate, Coffee
Door	Veneer Flat Panel, 3 1/4" Rail
Profile	Square Edge
Drawer	Solid Front



Churchill - Oak

Finish	Nutmeg, Pecan, <b>Spice</b> , Slate, Coffee
Door	Flat Panel
Profile	Square Edge
Drawer	Solid Front

9" wide cabinets have reversed cope and rails.



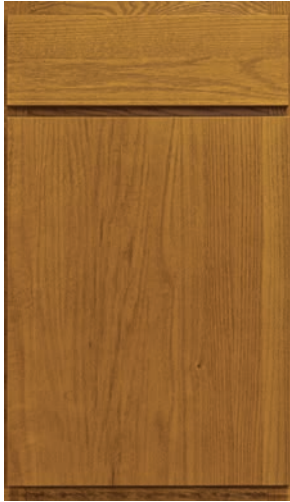
Baymont - Maple

Finish	Ginger, <b>Honey</b> , Pecan, Carmel, Root Beer, Chestnut, Slate, Coffee, Polar White*, Buttercream*, Stone*, Harbor Gray*
Door	Veneer Flat Panel
Profile	Reverse Bevel
Drawer	Solid Front

\*Painted - disclaimer on page 69  
Printed finish coloring is for representation only. Order samples for accurate color matching.

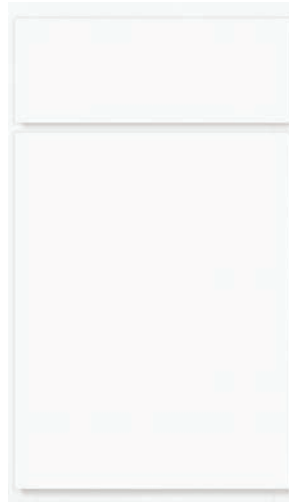


# Door Styles: Modified Full Overlay Continued



### Nantucket - Oak

Finish	Nutmeg, Pecan, <b>Spice</b> , Slate, Coffee
Door	Solid Slab
Profile	Square Edge
Drawer	Solid Front



### Glacier - Powder Coated

Finish	<b>Polar White - Smooth Finish</b>
Door	Solid Slab
Profile	Square Edge
Drawer	Solid Front



### Cambridge / Stirling - Maple

Finish	<b>Ginger</b> , Honey, Pecan, Carmel, Root Beer, Chestnut, Slate, Coffee, Polar White*, Buttercream*, Stone*, Harbor Gray*
Door	Veneer Flat Panel
Profile	Reverse Bevel (Cambridge), Square Edge (Stirling)
Drawer	Slab Drawer Front, can be upgraded to 5-piece



### Tippecanoe - Maple

Finish	<b>Ginger</b> , Honey, <b>Pecan</b> , Carmel, Root Beer, Chestnut, Slate, Coffee, Polar White*, Buttercream*, Stone*, Harbor Gray*
Door	Veneer Flat Panel
Profile	Square Edge
Drawer	Slab Drawer Front, can be upgraded to 5-piece

\*Painted - disclaimer on page 69  
Printed finish coloring is for representation only. Order samples for accurate color matching.

# Door Styles: Full Overlay



Northport - Thermofoil

Finish	Slate
Door	Solid Slab
Profile	Square Edge
Drawer	Solid Front
Frame	Maple
Door Back	Melamine

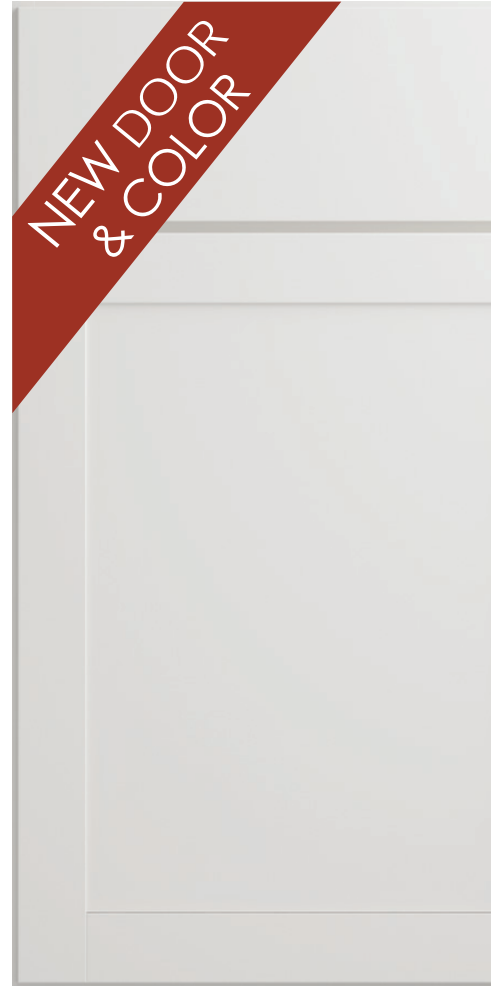
Must have heat shields in place to honor warranty. Disclaimer is on page 69.



Brentwood - Thermofoil

Finish	Coffee and Polar White
Door	Solid Slab
Profile	Square Edge
Drawer	Solid Front
Frame	Oak
Door Back	Melamine

Must have heat shields in place to honor warranty. Disclaimer is on page 69.



Denver - Thermofoil

Finish	Polar White
Door	Solid Slab
Profile	Square Edge
Drawer	5 Piece Drawer Front
Frame	Maple
Door Back	Melamine

Must have heat shields in place to honor warranty. Disclaimer is on page 69.



Summit - Maple

Finish	Ginger, Honey, Pecan, Carmel, Root Beer, Chestnut, Slate, Coffee, Polar White*, Buttercream*, Stone*, Harbor Gray*
Door	Veneer Flat Panel
Profile	Square Edge
Drawer	Slab Drawer Front, can be upgraded to 5-piece

Lansing - Maple

Finish	Ginger, Honey, Pecan, Carmel, Root Beer, Chestnut, Slate, Coffee, Polar White*, Buttercream*, Stone*, Harbor Gray*
Door	V-Notch
Profile	Square Edge
Drawer	Slab Drawer Front, can be upgraded to 5-piece

\*Painted - disclaimer on page 69  
Printed finish coloring is for representation only. Order samples for accurate color matching.

# Door Styles: Full Overlay Continued



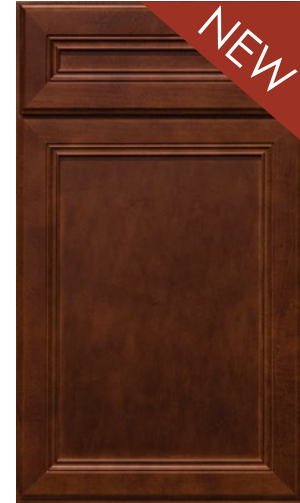
Deco - Maple

Finish	Ginger, Honey, Pecan, Carmel, Root Beer, Chestnut, Slate, Coffee, Polar White*, Buttercream*, Stone*, Harbor Gray*
Door	Stair Step
Profile	Square Edge
Drawer	Slab Drawer Front, can be upgraded to 5-piece



Berkshire - Maple

Finish	Ginger, Honey, Pecan, Carmel, Root Beer, Chestnut, Slate, Coffee, Polar White*, Buttercream*, Stone*, Harbor Gray*
Glaze	Pewter, Chocolate, Black
Door	Veneer Raised Panel Miter
Profile	Reversed Bevel
Drawer	5 piece Double Channel Miter



Belmont - Maple

Finish	Ginger, Honey, Pecan, Carmel, Root Beer, Chestnut, Slate, Coffee, Polar White*, Buttercream*, Stone*, Harbor Gray*
Glaze	Pewter, Chocolate, Black
Door	Veneer Flat Panel Miter
Profile	Reversed Bevel
Drawer	5 piece Double Channel Miter

# Standard Construction Features:



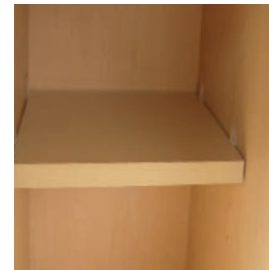
6-way Adjustable hinges  
(standard overlay detail)



6-way Adjustable Hinges  
(full overlay detail)



Solid Wood Dovetail  
Drawers



Powder Coated  
Adjustable Shelves



Particleboard Construction  
(back detail)



Removable False Front  
Drawer Clips



I-Beam Construction



Powder Coated Water  
Resistant Flooring  
(Flooring on Sink Base & Vanity Base Cabinets)



# Upgraded Construction Features:



Plywood Option



Side Mount  
Full Extension  
(100 lb dynamic)



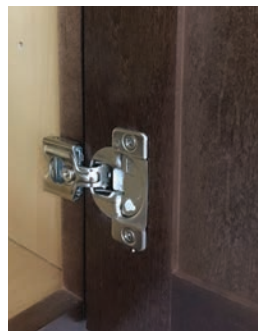
Undermount Soft Close  
Drawer Slides  
(75lb dynamic)



5 Piece Drawer Front



Smart Ultimate Cabinet

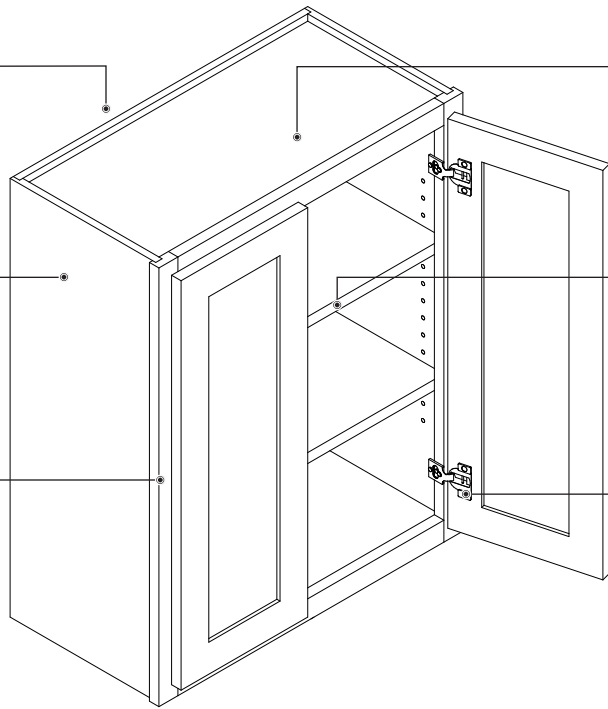


Soft Close Standard Overlay  
6-Way Adjustable Hinges



Soft Close Full Overlay  
6-Way Adjustable Hinges

# Wall Cabinet Features



### Back

Wall cabinet: 1/2" woodgrain laminate rabbeted into ends, wood glued and stapled to top and bottom.

### End Panels

1/2" substrate with light maple wood grain interior, designated laminate exterior.

### Frames

3/4" thick and 1 1/2" wide, kiln-dried hardwood assembled under pressure with screws. Offers maximum strength and squareness.

### Tops and Bottoms

1/2" substrate with light maple wood grain laminate interior and exterior.

### Adjustable Shelves

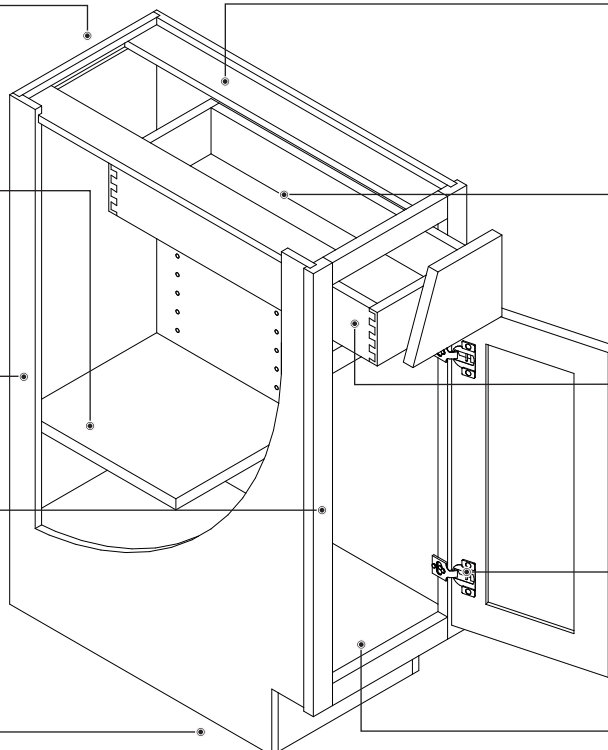
3/4" thick, 12" depth shelves, powder coated over MDF core. Optional 3/4" thick partial board, 12" depth shelves Attached with locking shelf clips.

### Hinges

108° 6-way adjustable, self-closing concealed hinges.

Increase Depth Cabinets MUST be installed between cabinets or end panels of the same depth.

# Base Cabinet Features



### Back

Base cabinet: 1/2" woodgrain laminate rabbeted into ends, glued top and bottom with industrial grade hot melt glue.

### Adjustable Shelves

3/4" thick, 12" depth shelves, powder coated over MDF core. Optional 3/4" thick partial board, 12" depth shelves Attached with locking shelf clips.

### End Panels

1/2" substrate with light maple wood grain interior, designated laminate exterior.

### Frames

3/4" thick and 1 1/2" wide, kiln-dried hardwood assembled under pressure with screws. Offers maximum strength and squareness.

### Toe Kicks

4 1/2" toe kicks with 3 1/2" inset on all standard base cabinets.

### Braces

Full depth braces provide I-beam stability and convenient anchor points for counter tops.

### Drawer Guides

Features captive roller, (75lb) epoxy-coated stay-closed side guides.

### Drawers

5/8" solid dovetail drawers, featuring four-sided construction and captive 1/4" matching laminate bottom.

### Hinges

108° 6-way adjustable, self-closing concealed hinges.

### Floors

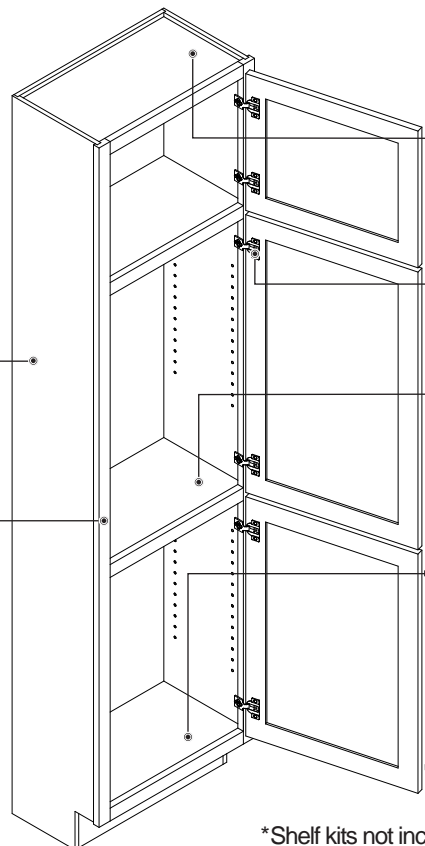
Sink base floors are powder coated for extra durability.

Standard construction shown above. Drawer glides and shelf clips not shown. Revised - 12/21/18

Specifications Subject to Change Without Notice. Materials may differ depending upon cabinet construction.



# Tall Cabinet Features



**Back**

Tall Cabinet: 1/2" plywood rabbeted into ends, wood glued and stapled to top and bottom.

**End Panels**

1/2" plywood with light maple wood grain interior, designated laminate exterior.

**Frames**

3/4" thick and 1 1/2" wide, kiln-dried hardwood assembled under pressure with screws. Offers maximum strength and squareness.

**Toe Kicks**

4 1/2" toe kicks with 3 1/2" inset on all standard base cabinets.

**Tops**

1/2" plywood with light maple wood grain interior and exterior.

**Hinges**

108° 6-way adjustable, self-closing concealed hinges.

**Shelves**

1/2" thick fixed plywood shelves are included. Adjustable shelves must be ordered separately. See page 58.

**Bottoms**

1/2" plywood with light maple wood grain interior.

Matches base cabinet door height. (28")

\* Shelf kits not included.

\*\* Upper section drilled for shelf kits on 90" tall or greater.

# Vanity Cabinet Features

Available in base and ADA height

**Back**

Vanity Cabinet: 1/2" wood-grain laminate rabbeted into ends, glued top and bottom with industrial grade hot melt glue.

**End Panels**

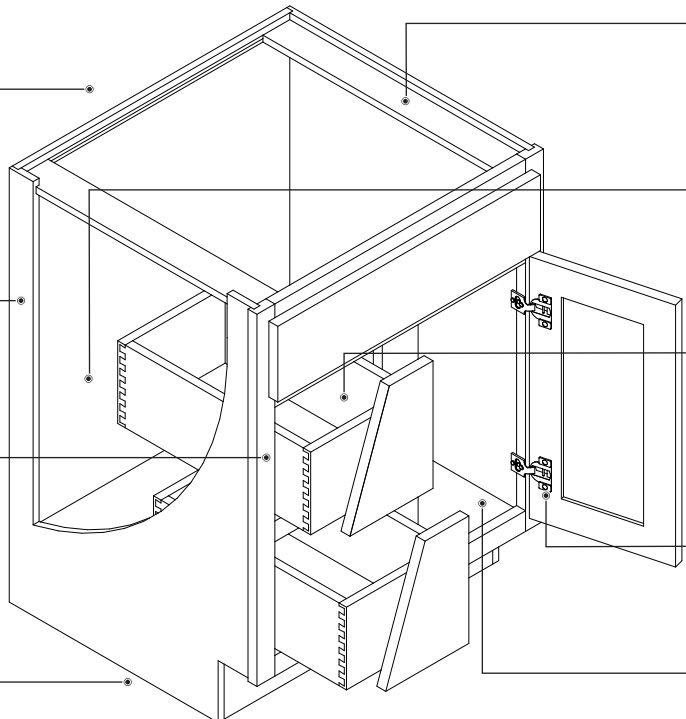
1/2" substrate with light maple wood grain interior, designated laminate exterior.

**Frames**

3/4" thick and 1 1/2" wide, kiln-dried hardwood assembled under pressure with screws. Offers maximum strength and squareness.

**Toe Kicks**

4 1/2" toe kicks with 3 1/2" inset on all standard base cabinets.



**Braces**

Full depth braces provide I-beam stability and convenient anchor points for counter tops.

**Drawer Guides**

Features captive roller, (75lb) epoxy-coated stay-closed side guides.

**Drawers**

5/8" solid dovetail drawers, featuring four-sided construction and captive 1/4" matching laminate bottom.

**Hinges**

108° 6-way adjustable, self-closing concealed hinges.

**Floors**

Vanity sink base floors are powder coated for extra durability.



Standard construction shown above. Drawer glides and shelf clips not shown.

Revised - 12/21/18

Specifications Subject to Change Without Notice  
Materials may differ depending upon cabinet construction.

# ANSI / ADA Cabinet Features (Handicap Accessible)



## Back

ANSI / ADA: 1/2" woodgrain laminate rabbeted into ends, glued top and bottom with industrial grade hot melt glue. 32 1/2" height.

## Drawer Guides

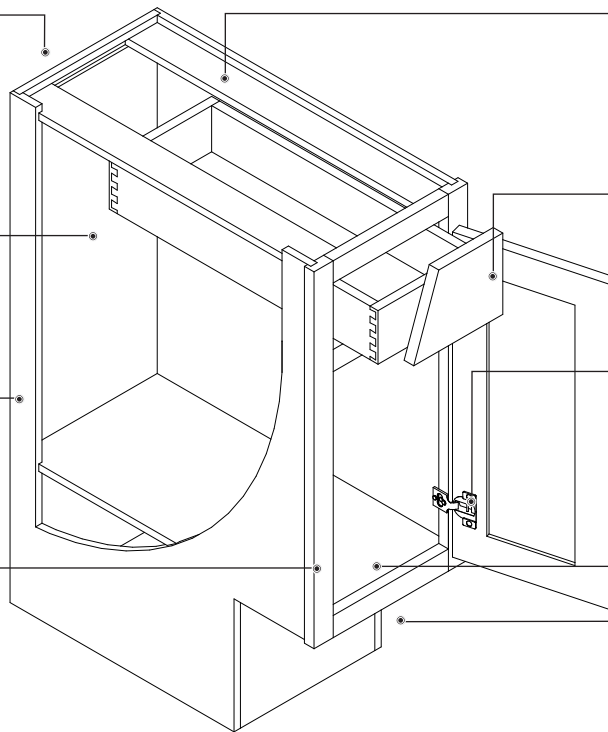
Features captive roller, (75lb) epoxy-coated stay-closed side guides.

## End Panels

1/2" substrate with light maple wood grain interior, designated laminate exterior.

## Frames

3/4" thick and 1 1/2" wide, kiln-dried hardwood assembled under pressure with screws. Offers maximum strength and squareness.



## Braces

Full depth braces provide I-beam stability and convenient anchor points for counter tops.

## Drawers

5/8" plywood dovetail drawers, featuring four-sided construction and captive 1/4" matching laminate bottom.

## Hinges

108° 6-way adjustable, self-closing concealed hinges.

## Floors

Sink base floors are powder coated for extra durability.

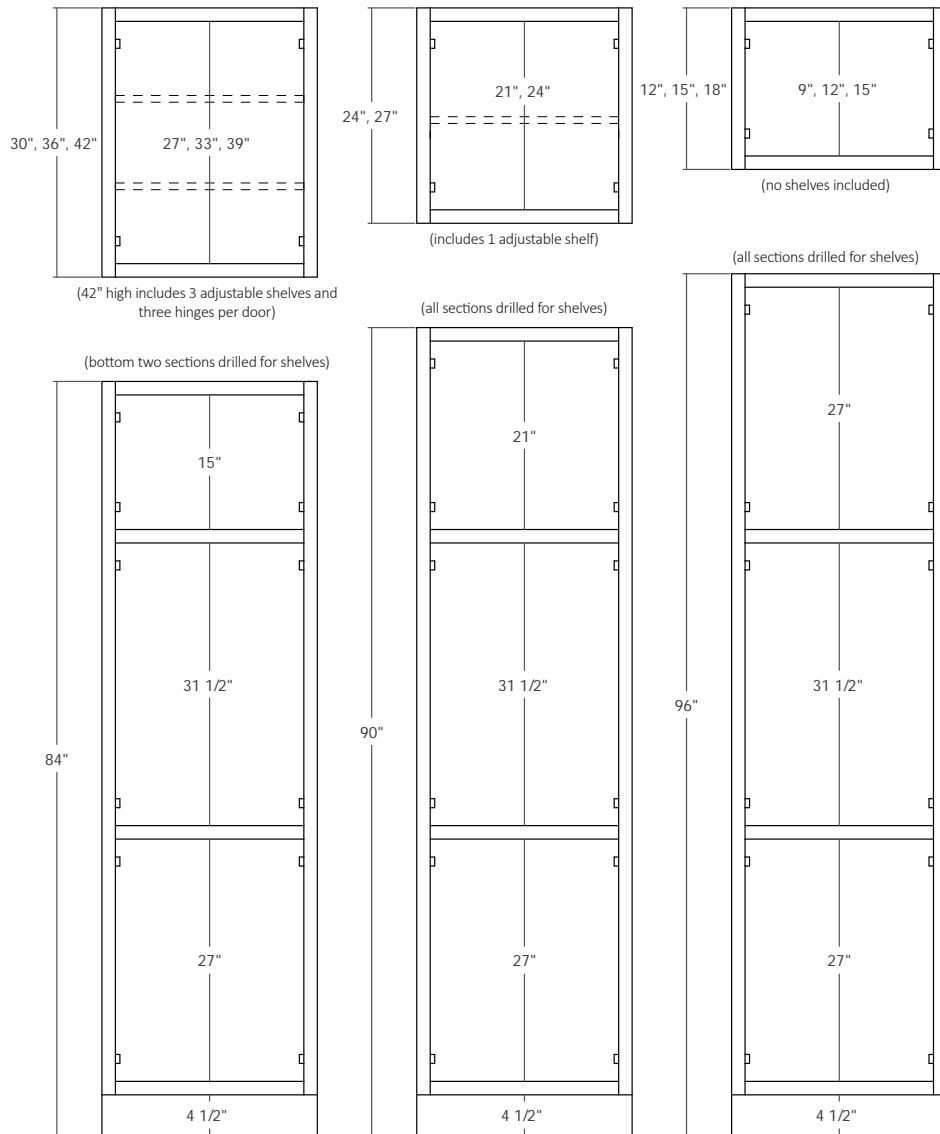


## Toe Kicks

9" toe kicks with 6 1/2" inset on all ANSI / ADA compliant cabinets. **Also available with 4-1/2" toe kick. See page 23; STDTK**

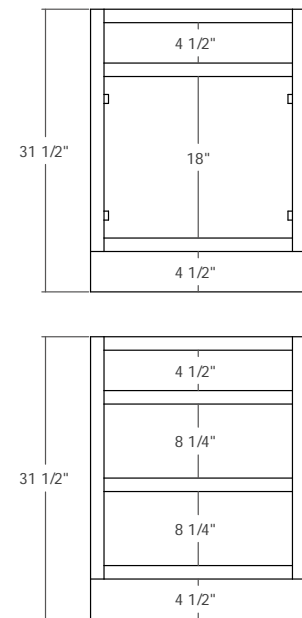
# Cabinet Dimensions

## Wall Cabinets

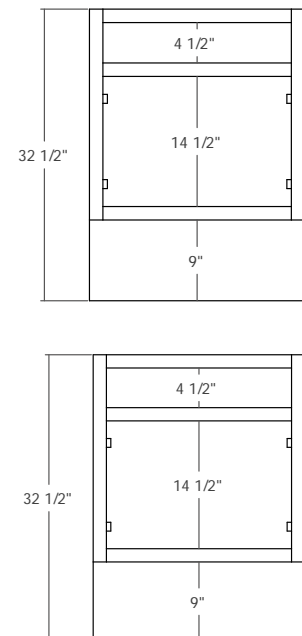


## Utility Tall Cabinets

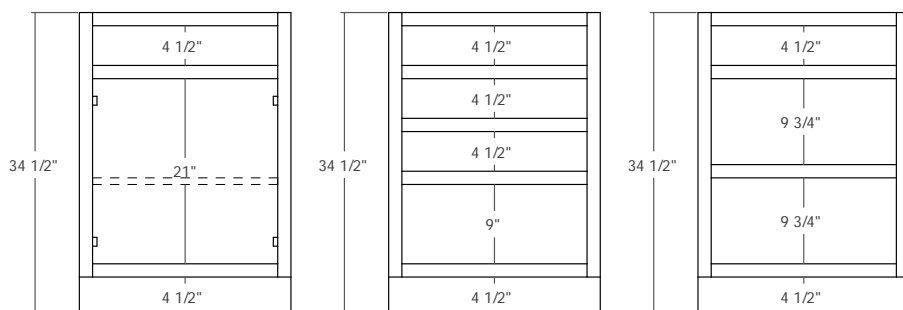
## Vanity Cabinets



## ANSI / ADA Cabinets



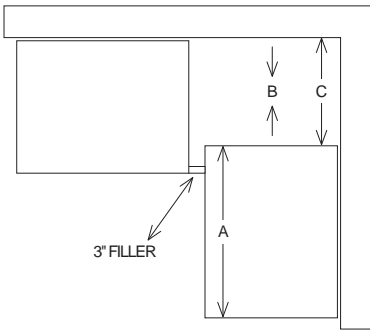
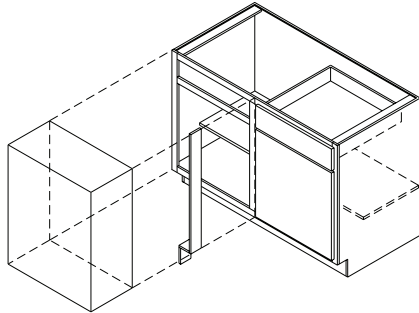
## Base Cabinets



# Blind Cabinets: Minimum / Maximum Pull Distance



## Reversible Blind Bases



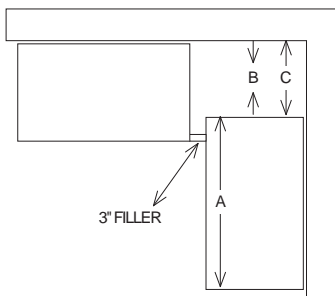
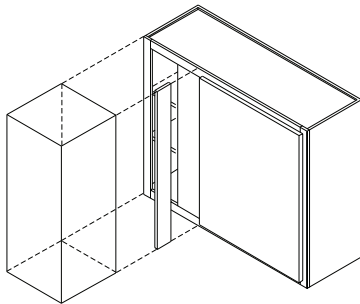
	A	B	C	Standard Door	Full Overlay Door
BBC33 (Full Height Door)	21"	12"	16 1/2"	7"	8 1/2"
BBC36	25"	11"	14 1/2"	9"	10 1/2"
BBC39	30"	8 1/2"	12"	11 1/2"	13"
BBC42	36"	5 1/2"	9"	14 1/2"	16"
BBC45	42"	3"	6"	17 1/2"	19"
BBC48	45"	1 1/2"	4 1/2"	19"	20 1/2"

- A = Cabinet Width
- B = Minimum Pull
- C = Maximum Pull

### NOTES

- Order filler separately.
- Reversible for left or right.
- If hardware applied, pull 1" over minimum space.
- 6" center stile allows room to pull cabinet.

## Reversible Blind Walls



	A	B	C	Standard Door	Full Overlay Door
WBC24	23"	1"	5"	10"	11 1/2"
WBC27	26"	1"	5"	13"	14 1/2"
WBC30	29"	1"	5"	16"	17 1/2"
WBC33	32"	1"	5"	19"	20 1/2"
WBC36B	35"	1"	5"	11"	11 3/4"
WBC39B	38"	1"	5"	12 1/2"	13 1/4"
WBC42B	41"	1"	5"	14"	14 3/4"
WBC45B	44"	1"	5"	15 1/2"	16 3/4"
WBC48B	47"	1"	5"	17"	17 3/4"

- A = Cabinet Width
- B = Minimum Pull
- C = Maximum Pull

### NOTES

- Order filler separately.
- Reversible for left or right.
- If hardware applied, pull 1" over minimum space.
- 6" center stile allows room to pull cabinet.

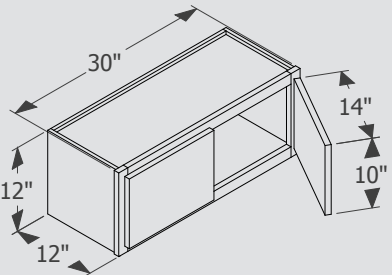
# Cabinet Modifications



Code	Definition	Example
RF	Removeable Front (32 ½" - 4 ½" toe)	VSB36BHCSTDTICRF_ADA
RFPANEL	Removable Front Panel for Removable Front Cabinet	<b>RFPANEL_VSB36</b>
F	Face Frame and Doors	W1230F SF12 VSF12
FF	Face Frame Only	B12FF
B	Butt Doors	B24B
PLY	Plywood Cabinet	B12PLY
HC	Universal Access (32 ½" - 9" toe)	B12HC
BH	Base Height for Vanity Cabinets	VB12BH
FH	Full Height Door	B12FH
ND	No Doors (applies to full height, wall only)	B12FHND, W3030ND
CASE	Cabinet Box Only	B12CASE
P	Peninsula Cabinet	B24BP, W2430P
HCSTDTK	Standard Toe Kick Height (32 ½" - 4 ½" toe)	B12HCSTDTK, VSB12HCSTDTK
PLYA	Plywood Construction, Plywood Shelves	B12PLYA
_MAX	Plywood Construction, Treated Toekick	B12_MAX
_ULT	Plywood Construction, Treated Base	B12_ULT
GPREP	Glass Prep. Doors	W3030BGPREP
MI	Matching Interior	B12NDMI
GPREPMI	Glass Prep. + Matching Interior	W3030BGPREPMI
SH	Shelf (single) ¾" thick	SH12 (SH   Width)
SHMI	SH + MI = Shelf matching interior becomes 3/4	SHMI12
DR	Door	DR1013 (DR   Width   Height   )
DF	Drawer Front	DF5528 (DF   Height   Width   )
DF**CLIP	False Front with mounting clips attached	DF5528CLIP (DF   Height   Width)
DB**WS	Drawer Box (with Slides "WS")	DB10214WS (DB   Width   Depth   Height   WS)
ROS	Roll Out Shelf (Field Install)	ROS24 (only available in 24" deep)
_ROS	Roll out Shelf (Factory Install)	B24B_ROS (only available in 24" deep)
_4HOLE	Lazy Susan Replacement Door with 4 Hinges (Door to Frame)	DR1028S3_4HOLE
_NODRILL	Lazy Susan Replacement Door with no Hinges (Door to Door)	DR1028S3_NODRILL
_FDSH	Full Depth Shelf	B36B_FDSH



## 12" High Wall

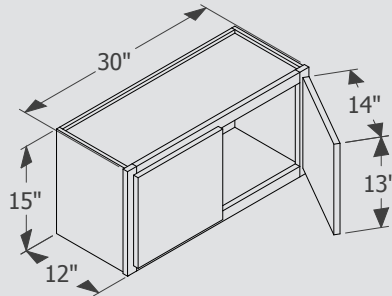


**12' High Double**

---

- W3012B      W3912
- W3312B      W4212
- W3612B      W4812B (4 door)

## 15" High Wall

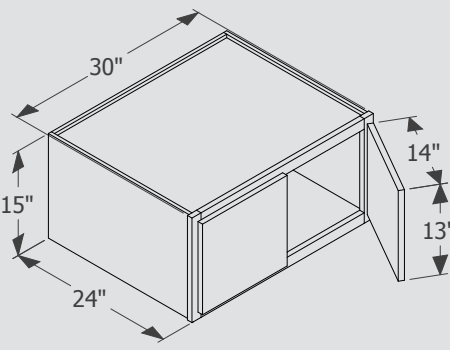


**15' High Double**

---

- W3015B      W3915
- W3315B      W4215
- W3615B      W4815B (4 door)

## Over-the-Refrigerator



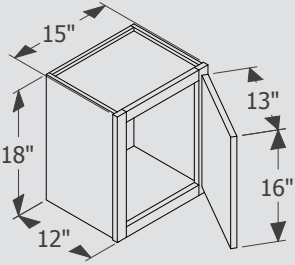
**15' High - Refrigerator**

---

- W241524B      W361524B
- W271524B      W391524
- W301524B      W421524
- W331524B      W481524B (4 door)

Also available in 12' 18' 21' & 24' Heights  
(W | Width | Height | 24 | B)

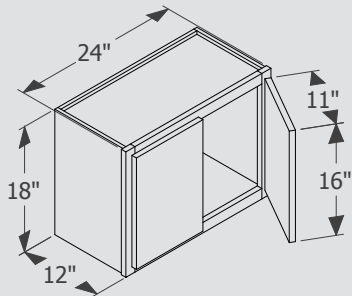
## 18" High Wall Cabinets ..Also available in 21" High



**18' High Single**

---

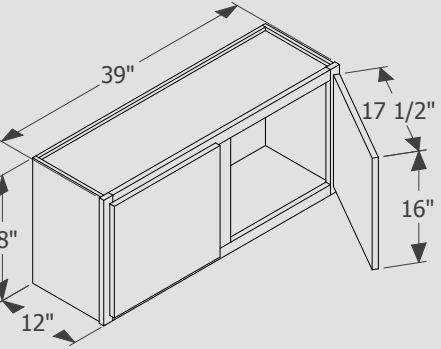
- W1518      W2118
- W1818      W2418



**18' High Double - Butt**

---

- W2418B      W3318B
- W2718B      W3618B
- W3018B      W4818B (4 door)



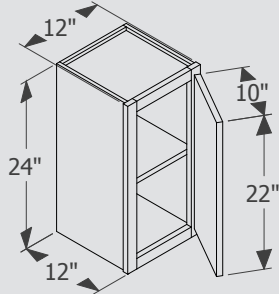
**18' High Double**

---

- W3918
- W4218
- W4518

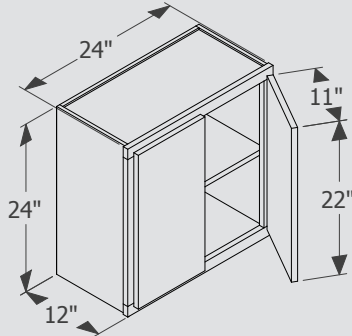
## 24" High Wall Cabinets

...Also available in 27" High



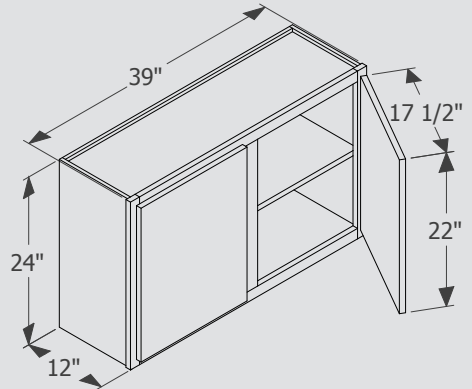
24" High Single

- |         |       |
|---------|-------|
| ● W1224 | W2124 |
| W1524   | W2424 |
| W1824   |       |



24" High Double - Butt

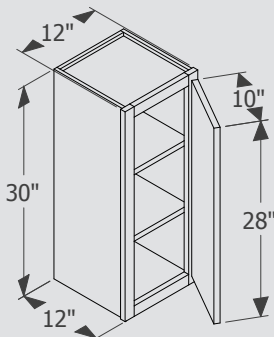
- |          |                 |
|----------|-----------------|
| ● W2424B | W3324B          |
| W2724B   | W3624B          |
| W3024B   | W4824B (4 door) |



24" High Double

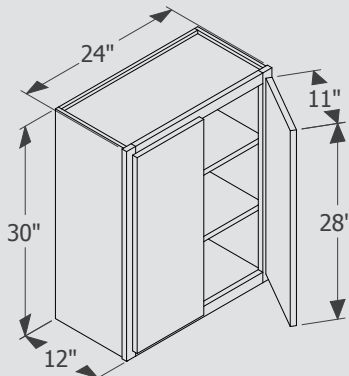
- |         |
|---------|
| ● W3924 |
| W4224   |
| W4524   |

## 30" High Wall Cabinets



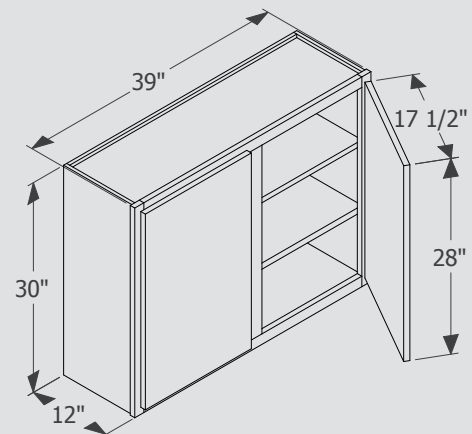
30" High Single

- |         |       |
|---------|-------|
| W930    | W1830 |
| ● W1230 | W2130 |
| W1530   | W2430 |



30" High Double - Butt

- |          |                 |
|----------|-----------------|
| ● W2430B | W3330B          |
| W2730B   | W3630B          |
| W3030B   | W4830B (4 door) |

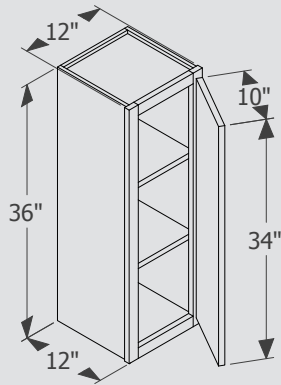


30" High Double

- |         |
|---------|
| ● W3930 |
| W4230   |
| W4530   |

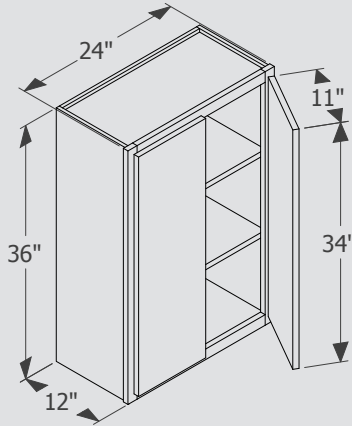
9" wide Bridgeport doors have slab doors.  
9" wide Montana doors have reversed cope and rails.

## 36" High Wall Cabinets



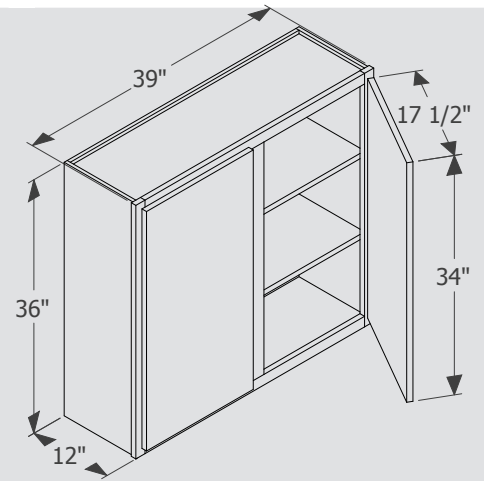
36" High Single

- |         |       |
|---------|-------|
| W936    | W1836 |
| ● W1236 | W2136 |
| W1536   | W2436 |



36" High Double - Butt

- |          |        |
|----------|--------|
| ● W2436B | W3336B |
| W2736B   | W3636B |
| W3036B   |        |

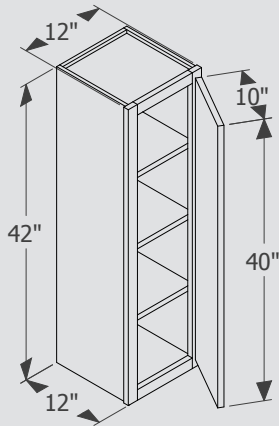


36" High Double

- |         |
|---------|
| ● W3936 |
| W4236   |

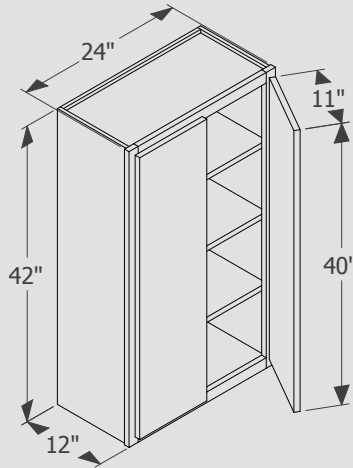
9" wide Bridgeport doors have slab doors.  
9" wide Montana doors have reversed cope and rails.

## 42" High Wall Cabinets



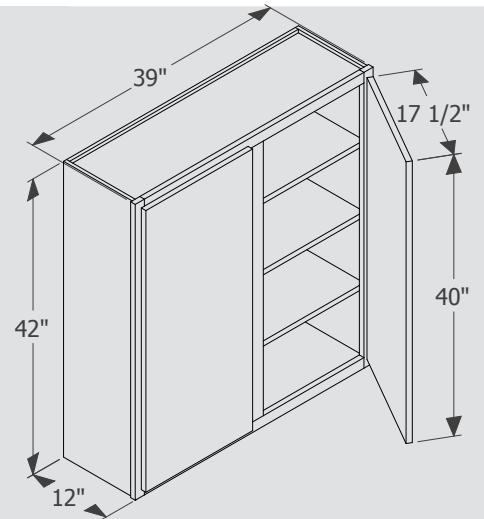
42" High Single

- |         |       |
|---------|-------|
| W942    | W1842 |
| ● W1242 | W2142 |
| W1542   | W2442 |



42" High Double - Butt

- |          |        |
|----------|--------|
| ● W2442B | W3342B |
| W2742B   | W3642B |
| W3042B   |        |

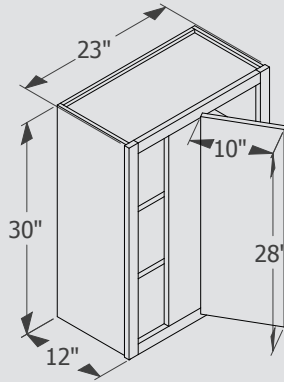


42" High Double

- |         |
|---------|
| ● W3942 |
| W4242   |

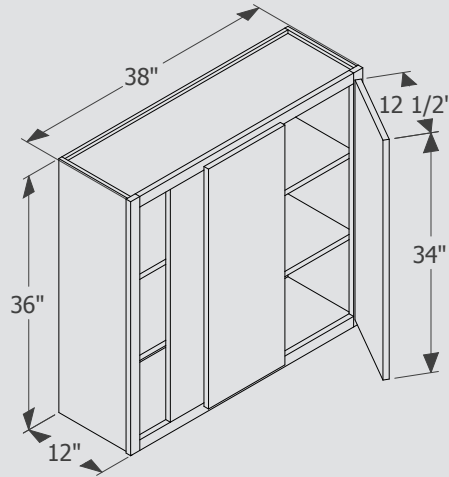
9" wide Bridgeport doors have slab doors.  
9" wide Montana doors have reversed cope and rails.

## Wall Blind Cabinets



30" High Blind (Left shown above)

- WBC2430      WBC3930B
- WBC2730      WBC4230B
- WBC3030      WBC4530B
- WBC3330      WBC4830B
- WBC3630B



36" High Blind (Left shown above)

- WBC2436      ● WBC3936B
- WBC2736      WBC4236B
- WBC3036      WBC4536B
- WBC3336      WBC4836B
- WBC3636B

Minimum and maximum pull dimensions located on page 21.

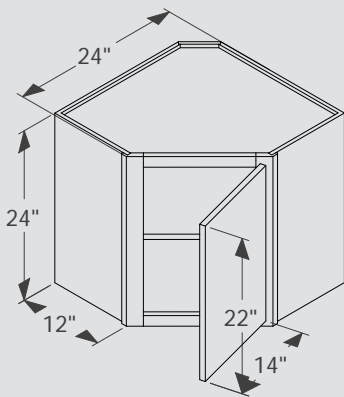
### 24" High Blind

- WBC2424      WBC3924B
- WBC2724      WBC4224B
- WBC3024      WBC4524B
- WBC3324      WBC4824B
- WBC3624B

### 42" High Blind

- WBC2442      WBC3942B
- WBC2742      WBC4242B
- WBC3042      WBC4542B
- WBC3342      WBC4842B
- WBC3642B

## 24" & 30" High Wall Cabinets



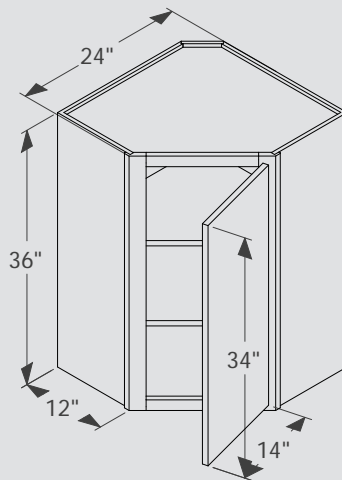
24" High Corner Wall (1 shelf)

- DWA2424

30" High Corner Wall (2 shelves)

- DWA2430

## 36" & 42" High Wall Cabinets



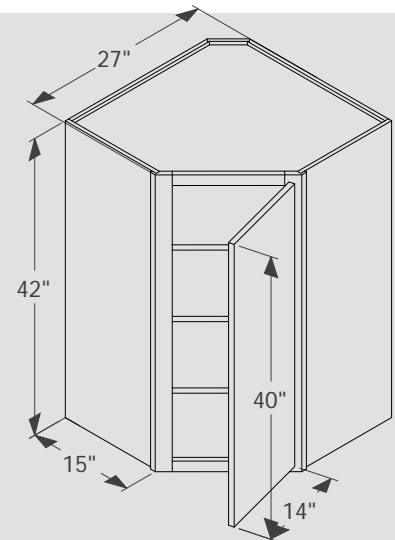
36" High Corner Wall (2 shelves)

- DWA2436

42" High Corner Wall (3 shelves)

- DWA2442

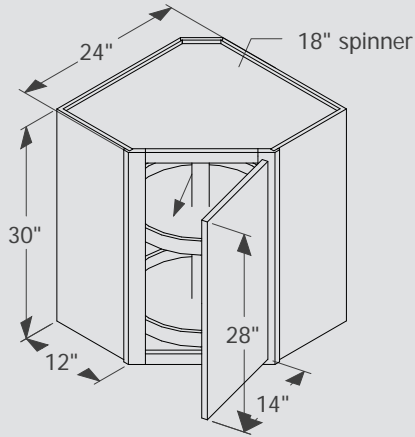
## Extra Width and Depth



Extra Width and Depth

- DWA272415      (1 shelf)
- DWA273015      (2 shelves)
- DWA273615      (2 shelves)
- DWA274215      (3 shelves)

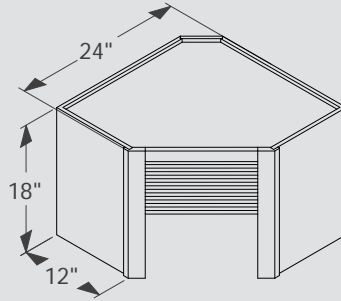
## Wall Lazy Susan



Wall Corner Lazy Susan

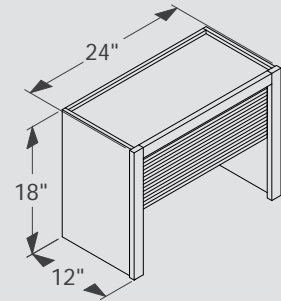
- DWALS2430
- DWALS2442

## Appliance Garages



18" High Corner Garage

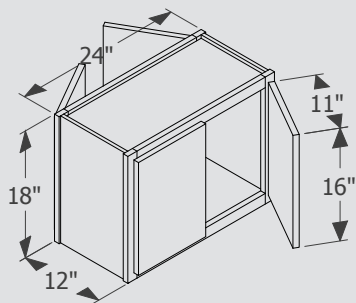
- CAG24



18" High Garage

- SAG1818
- SAG2418

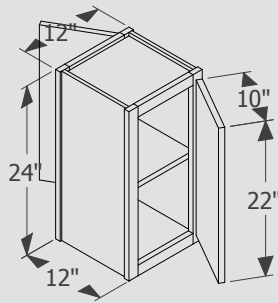
## 18" High Wall Peninsula Cabinets



18" High Double Peninsula

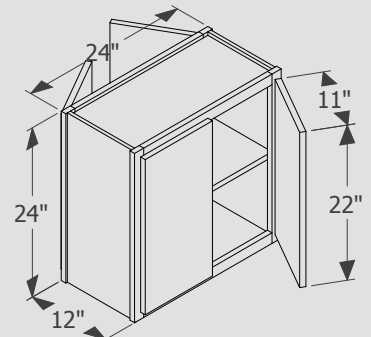
- W2418BP      W3918P
- W2718BP      W4218P
- W3018BP      W4518P
- W3318BP      W4818BP (4 door)
- W3618BP

## 24" High Wall Peninsula Cabinets



24" High Single Peninsula

- W1224P      W1824P
- W1524P      W2124P

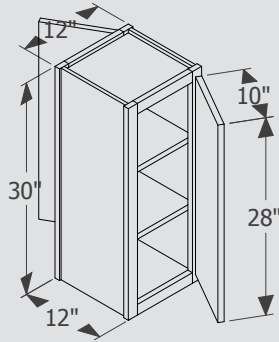


24" High Double Peninsula

- W2424BP      W3924P
- W2724BP      W4224P
- W3024BP      W4524P
- W3324BP      W4824BP (4 door)
- W3624BP



## 30" High Wall Peninsula Cabinets

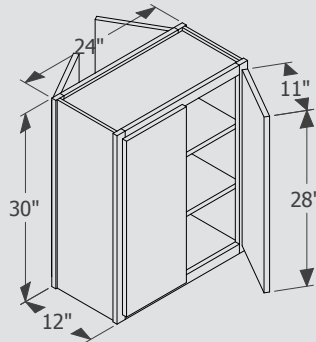


30" High Single Peninsula

W930P      W2130P

- W1230P
- W1530P
- W1830P

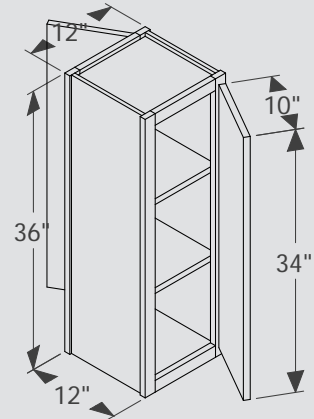
9" wide Bridgeport doors have slab doors.  
9" wide Montana doors have reversed cope and rails.



30" High Double Peninsula

- W2430BP      W3930P
- W2730BP      W4230P
- W3030BP      W4530P
- W3330BP      W4830BP (4 door)
- W3630BP

## 36" High Wall Peninsula Cabinets

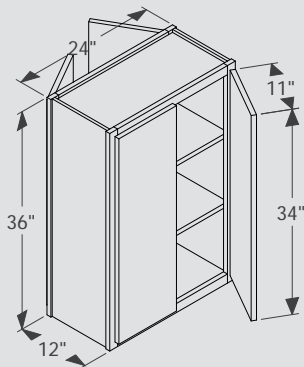


36" High Single Peninsula

- W936P      W1836P
- W1236P      W2136P
- W1536P

9" wide Bridgeport doors have slab doors.  
9" wide Montana doors have reversed cope and rails.

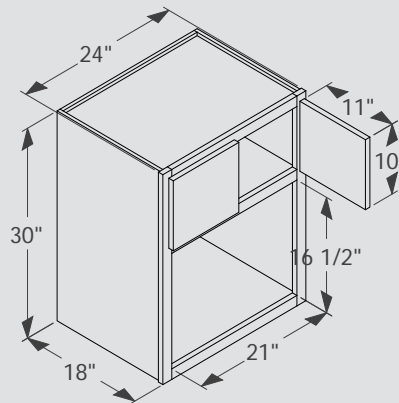
## 36" High Wall Peninsula Cabinets



36" High Double Peninsula

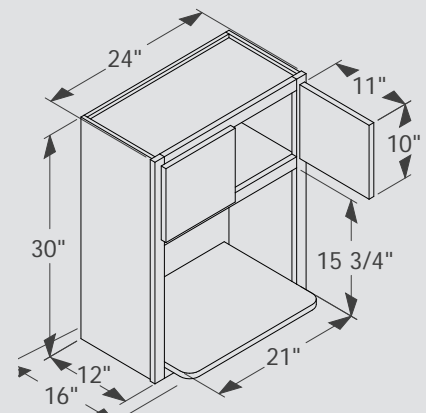
- W2436BP      W3636BP
- W2736BP      W3936P
- W3036BP      W4236P
- W3336BP

## 30" High Microwave Wall Cabinets



30" High

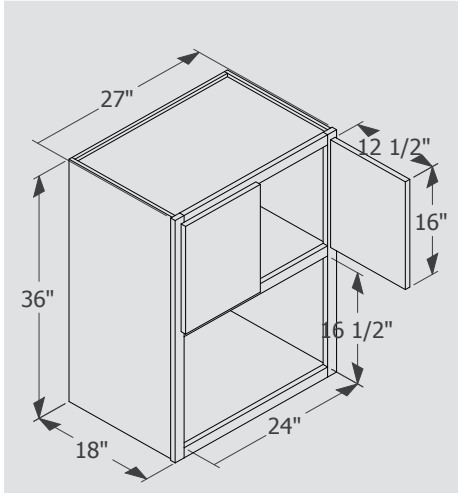
- MWW2430BMI (18" deep)
- MWW2730BMI (18" deep)
- MWW3030BMI (18" deep)



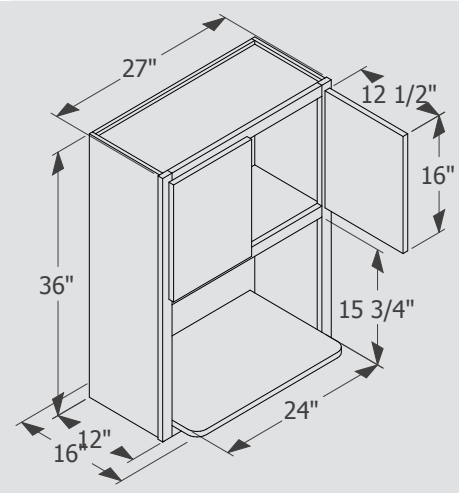
30" High

- MWW243012BEXSMI (12" deep)
- MWW273012BEXSMI (12" deep)
- MWW303012BEXSMI (12" deep)

## 36" High Microwave Wall Cabinets

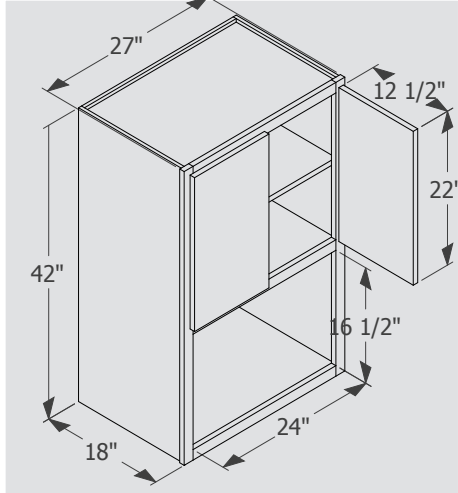


- 36" High
- MWW2436BMI (18" deep)
  - MWW2736BMI (18" deep)
  - MWW3036BMI (18" deep)



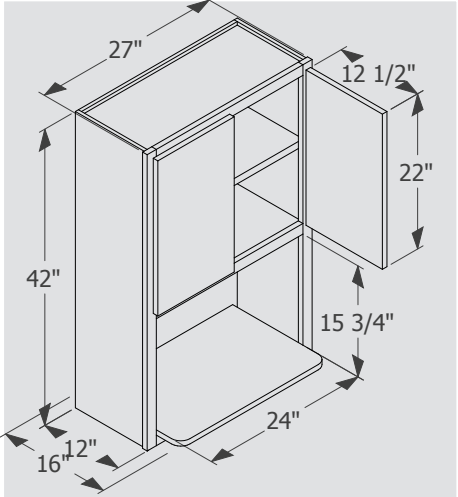
- 36" High
- MWW243612BEXSMI (12" deep)
  - MWW273612BEXSMI (12" deep)
  - MWW303612BEXSMI (12" deep)

## 42" High Microwave Wall Cabinets



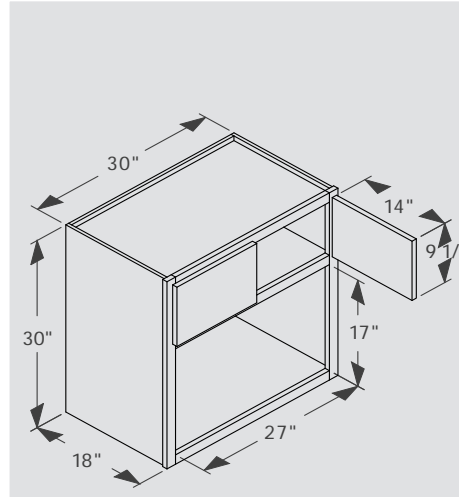
- 42" High
- MWW2442BMI (18" deep)
  - MWW2742BMI (18" deep)
  - MWW3042BMI (18" deep)

## 42" High Microwave Wall Cabinets



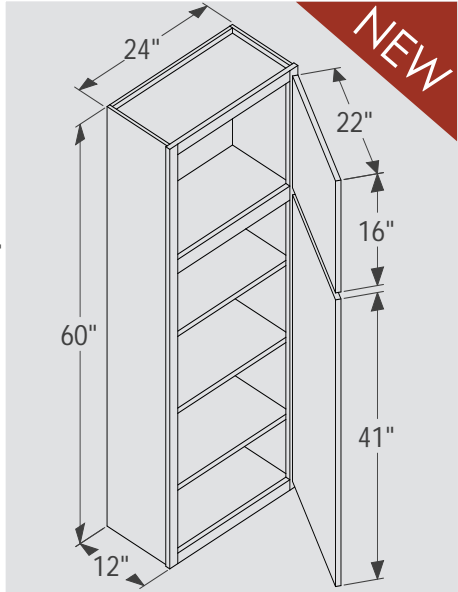
- 42" High
- MWW244212BEXSMI (12" deep)
  - MWW274212BEXSMI (12" deep)
  - MWW304212BEXSMI (12" deep)

## 17" Open Microwave Wall Cabinets



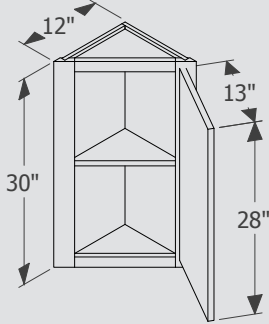
- 17" Opening
- MWW3030BOP17MI
  - MWW3036BOP17MI
  - MWW3042BOP17MI

## Stacked Wall Cabinets



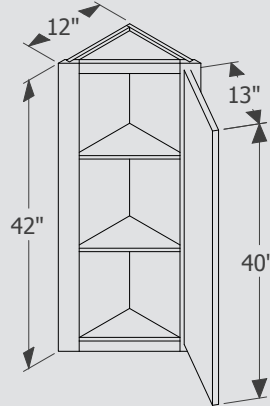
- Stacked Wall Cabinets
- |         |         |           |
|---------|---------|-----------|
| WST1548 | WST1554 | WST1560   |
| WST1848 | WST1854 | WST1860   |
| WST2148 | WST2154 | WST2160   |
| WST2448 | WST2454 | ● WST2460 |

## Diagonal Wall End Cabinet



Diagonal End Cabinet

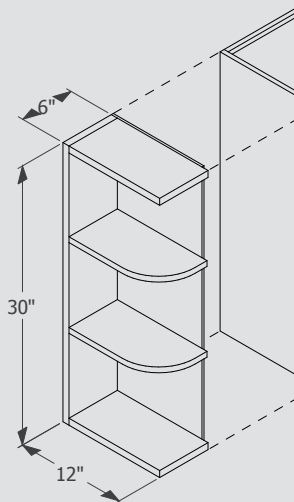
- WEC1230 1 fixed shelf
- WEC1236 1 fixed shelf



Diagonal End Cabinet

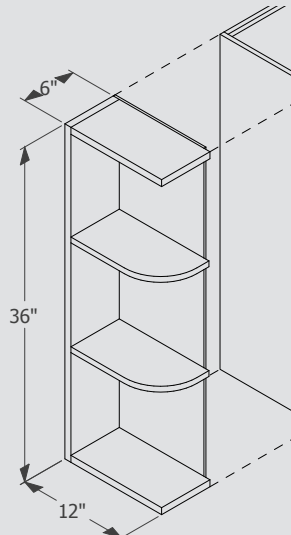
- WEC1242 2 fixed shelves

## 30" High Wall End Open Shelf



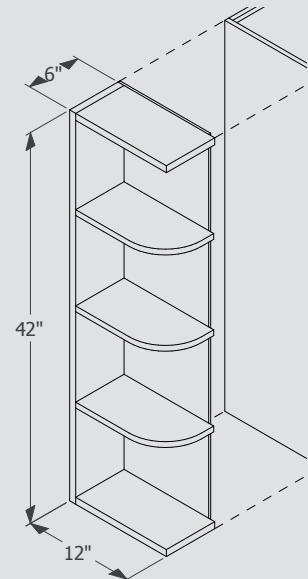
30" High  
WEOS630

## 36" High Wall End Open Shelf



36" High  
● WEOS636

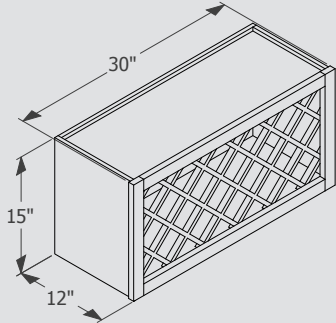
## 42" High Wall End Open Shelf



42" High  
● WEOS642

3/4" Thick Construction (1/4" side)

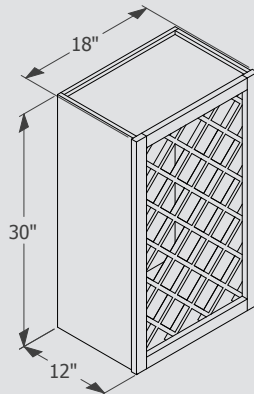
## 15" High Wine Rack



15" High

- WR2415MI      WR3615MI
- WR3015MI      WR4215MI

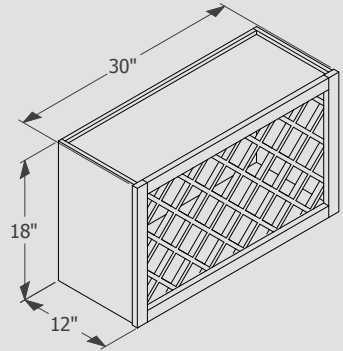
## 30" High Wine Rack



30" High

- WR1530MI      WR2430MI
- WR1830MI

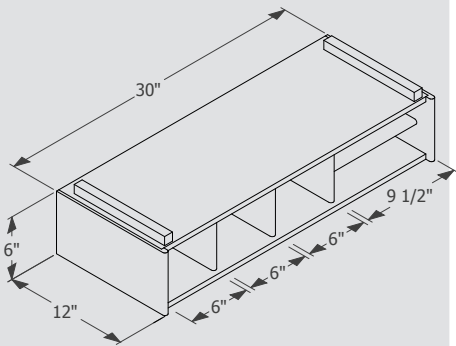
## 18" / 36" / 42" High Wine Rack



18" 36" 42" High

- WR3018MI      WR1542MI
- WR1236MI
- WR1536MI

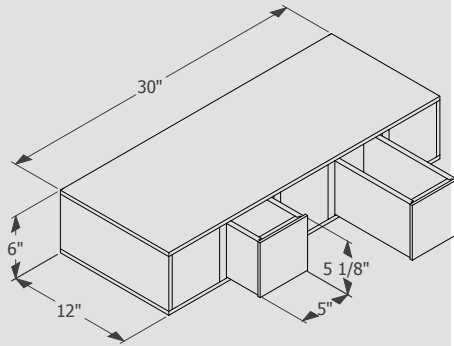
## Wall Organizers



Wall Organizer

- ORG246      (matching interior)
- ORG306      (matching interior)
- ORG366      (matching interior)

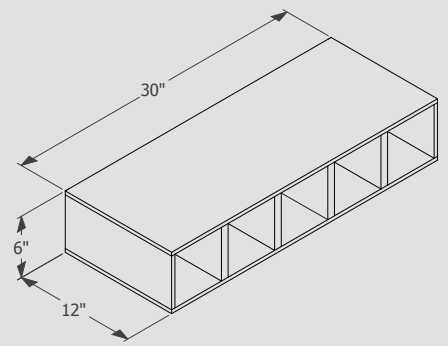
## Wall Spice Drawers



Spice Drawer

- SD24
- SD30
- SD36

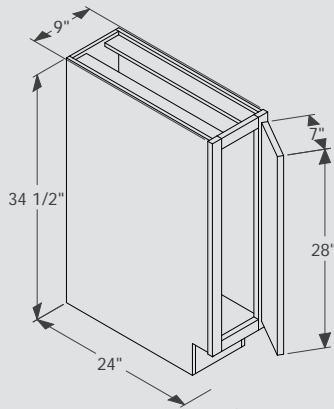
## Wall Wine Cube



Wine Cube

- WCUBE24      (matching interior)
- WCUBE30      (matching interior)
- WCUBE36      (matching interior)

## Full Height Door Tray Base

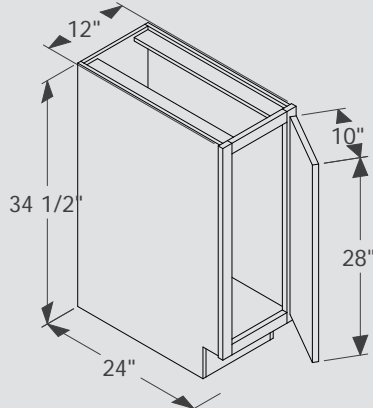


Full Height Door Tray Base

- TB9

9" wide Bridgeport doors have slab doors.  
9" wide Montana doors have reversed cope and rails.

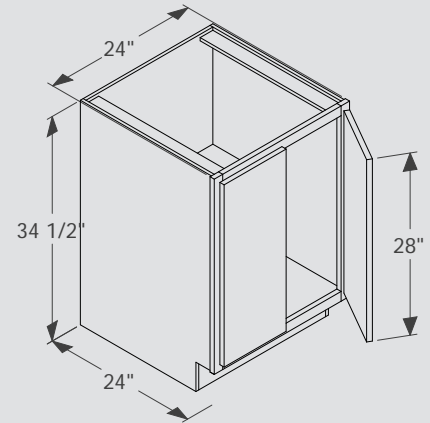
## Single Full Height Door Cabinets



Single Door

- B12FH      B21FH
- B15FH      B24FH
- B18FH

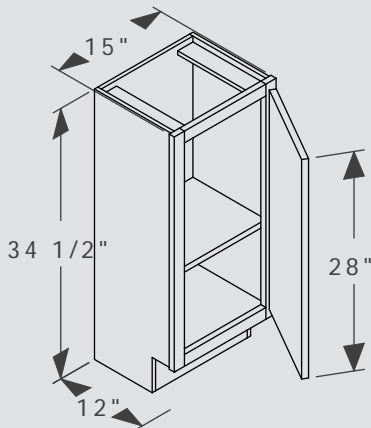
## Double Full Height Door Cabinets



Double Door - Full Height

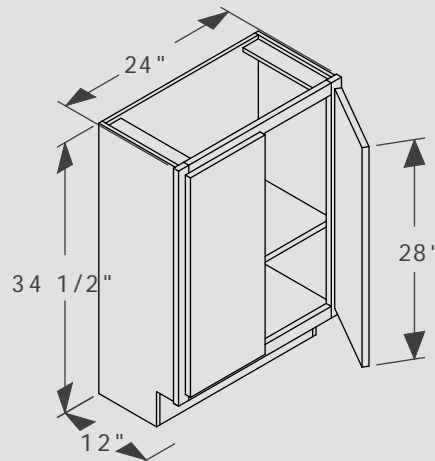
- B24BFH      B39FH
- B27BFH      B42FH
- B30BFH      B45FH
- B33BFH      B48BFH (4 door)
- B36BFH

## Full Height Door Cabinets - 12" deep



Single Door - Full Height

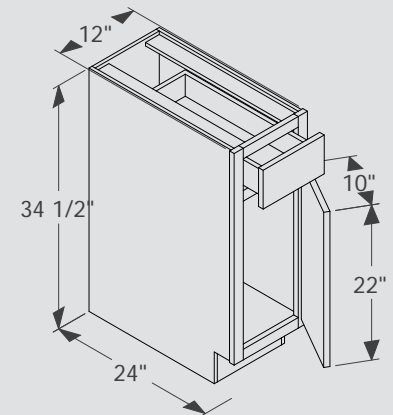
- B1212FH
- B1512FH
- B1812FH
- B2112FH



Double Door - Full Height

- B2412BFH      B3312BFH
- B2712BFH      B3612BFH
- B3012BFH

## Single Door / Drawer Cabinets



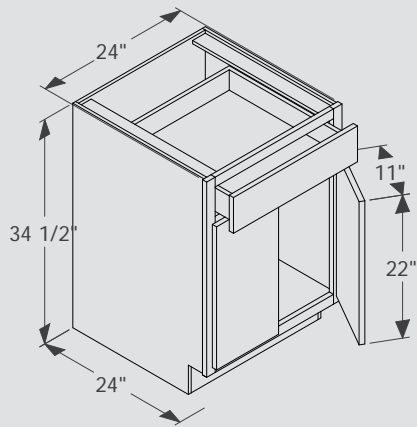
Single Door / Drawer

- B9      B18
- B12      B21
- B15      B24

9" wide Bridgeport doors have slab doors.  
9" wide Montana doors have reversed cope and rails.



## Double Door / Drawer Cabinets

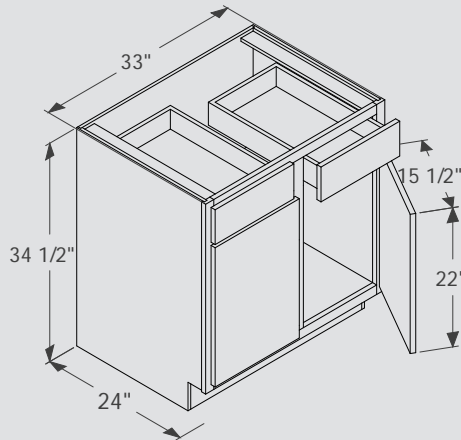


Double Door - Butt /w Single Drawer

- B24B            B33B
- B27B            B36B
- B30B

Double Door - Double Drawer

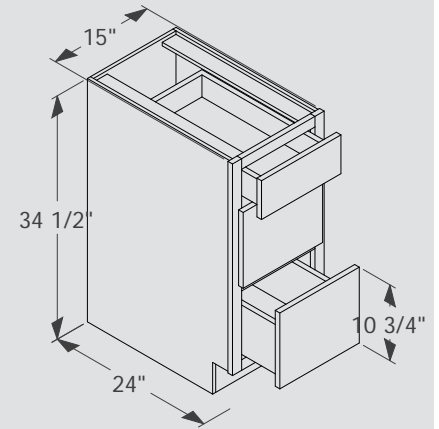
- B39              B45
- B42              B48B (4 door, 2 drawer)



Double Door - Butt /w Double Drawer

- B33B\_2DRW
- B36B\_2DRW

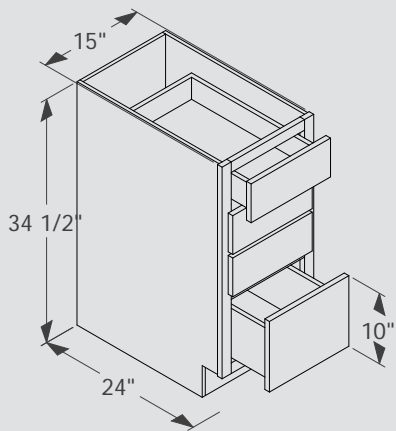
## 3 Drawer Base Cabinets



3 Drawer Base

- B3D9            B3D24
- B3D12          B3D27
- B3D15          B3D30
- B3D18          B3D33
- B3D21          B3D36

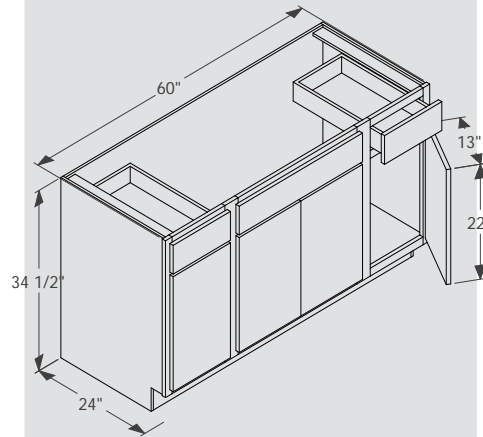
## 4 Drawer Base Cabinets



4 Drawer Base

- B4D9            B4D27
- B4D12          B4D30
- B4D15          B4D33
- B4D18          B4D36
- B4D21
- B4D24

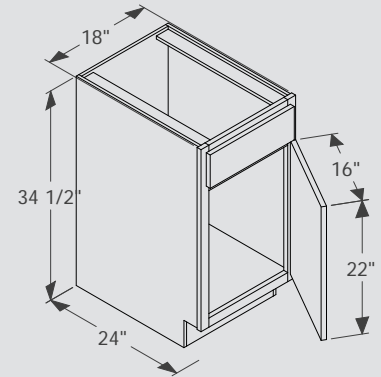
## Combination Sink Cabinets



Combination Sink Base - Butt

- CSB54B
- CSB60B
- CSB72B

## Sink Base Cabinets



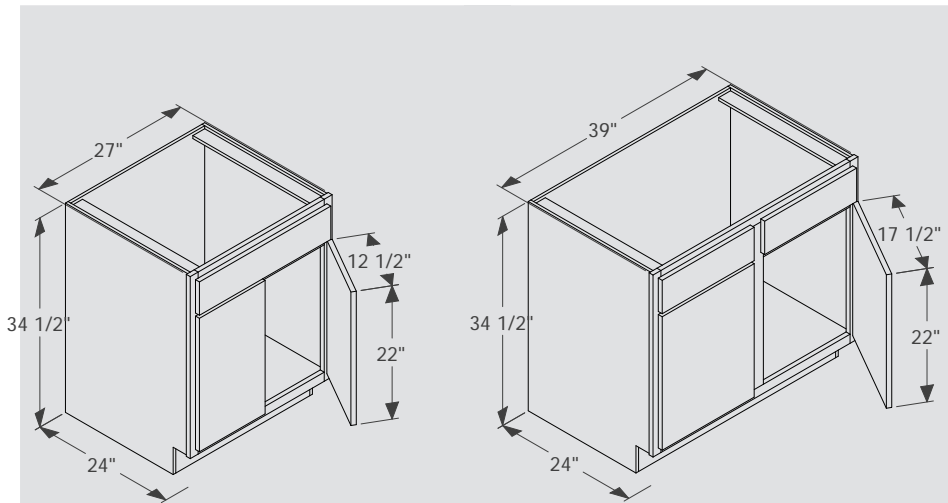
Single Door

- SB18
- SB21
- SB24

## Sink Base Cabinets

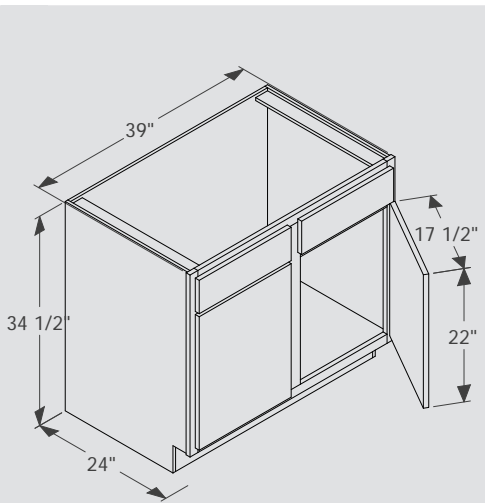


## Farm Sink Base Cabinets



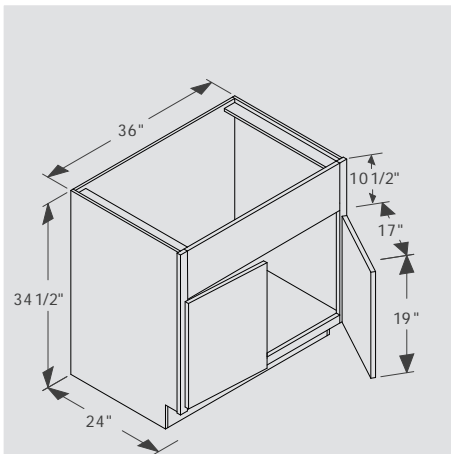
Double Door - Butt

- |         |                                    |
|---------|------------------------------------|
| SB24B   | SB33B                              |
| ● SB27B | SB36B                              |
| SB30B   | SB48B<br>(4 door, 2 drawer fronts) |



Double Door

- |        |      |
|--------|------|
| ● SB39 | SB45 |
| SB42   |      |



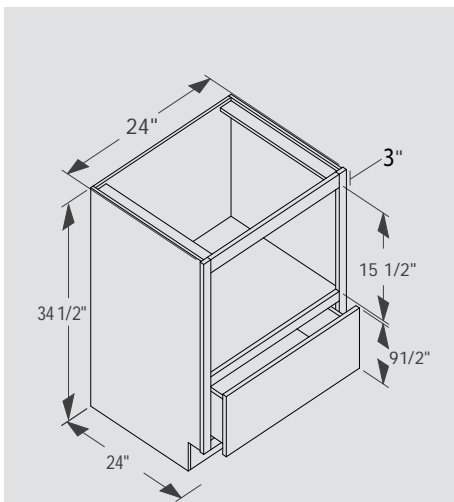
Farm Sink

- |                 |
|-----------------|
| FSB30B_FILLED   |
| FSB33B_FILLED   |
| ● FSB36B_FILLED |

Base

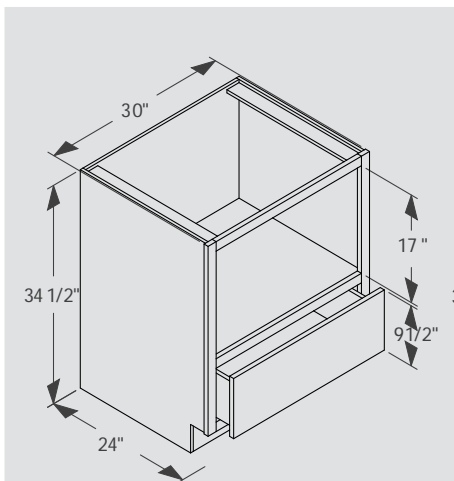
## Base Microwave Cabinets

## Base Microwave Cabinets 17" Opening



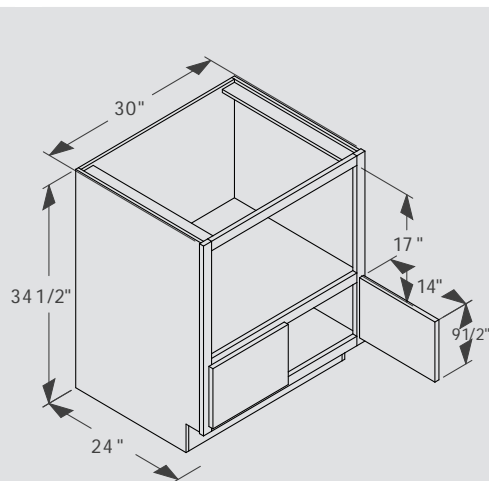
Microwave Base

- |           |         |
|-----------|---------|
| BMW21MI   | BMW27MI |
| ● BMW24MI | BMW30MI |



Microwave Base 17" Opening

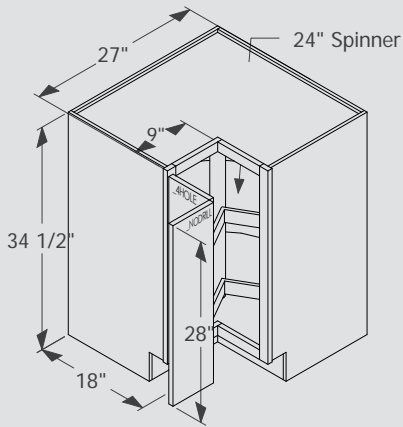
- BMW30OP17MI



Microwave Base 17" Opening with Door

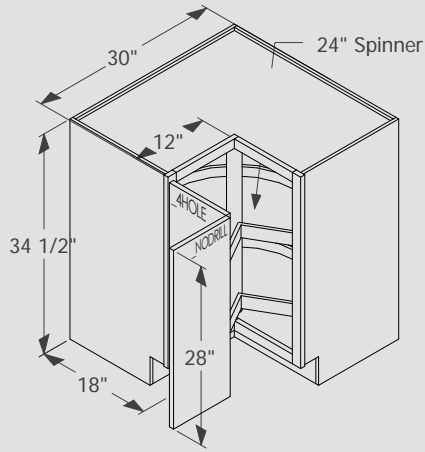
- BMW30DORBOP17MI

## Lazy Susan Cabinets



Lazy Susan

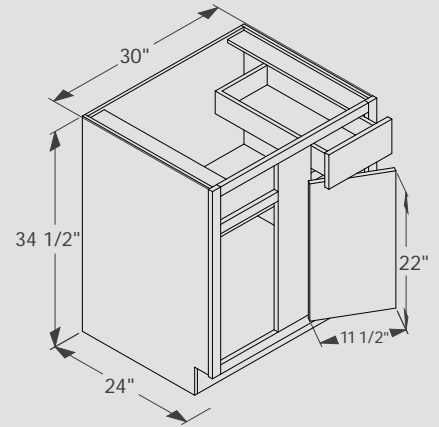
- LS33 (Left shown above)



Lazy Susan

- LS36 (Left shown above)

## Blind Base Cabinets

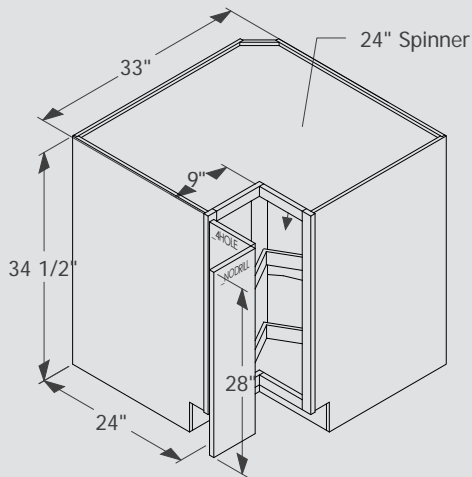


Blind Base (Left shown above)

- |                          |       |
|--------------------------|-------|
| BBC33 (Full Height Door) | BBC42 |
| BBC36                    | BBC45 |
| ● BBC39                  | BBC48 |

Additional filler must be ordered separately.  
Minimum and maximum pull dimensions located on page 21.

## Super Lazy Susan Cabinets



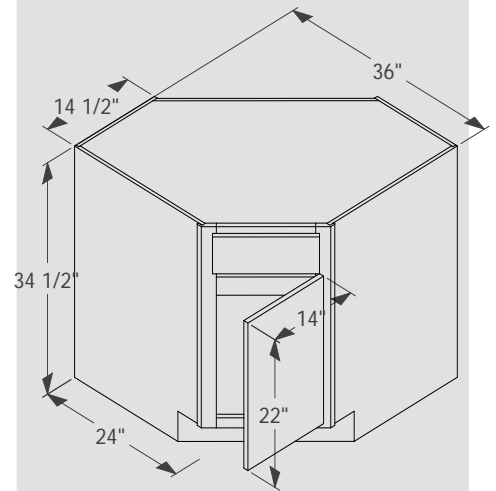
Super Lazy Susan

- SLS33 (Left shown above)

Super Lazy Susan

- SLS36 (Left shown above)

## Diagonal Base Cabinets

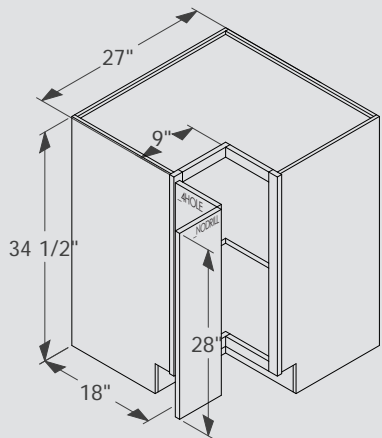


Diagonal Base

- DC36
- DC42

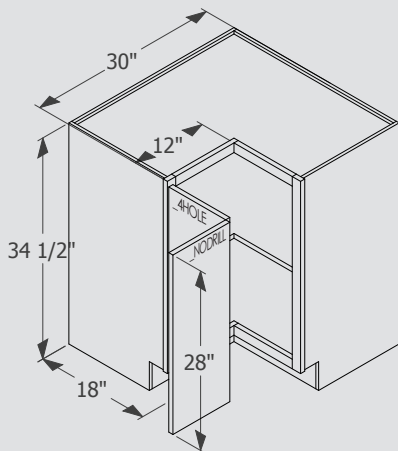
Shelf not available.

Square Corner Base Cabinets



Square Corner Base

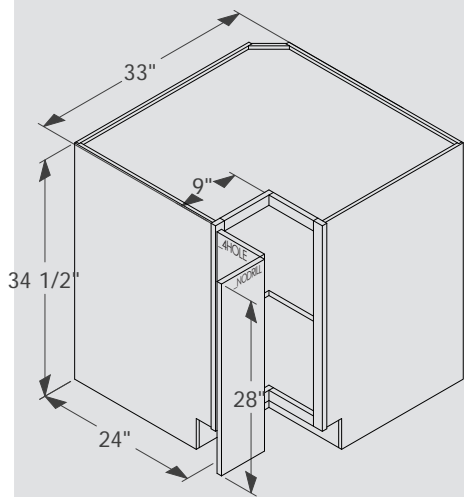
- SCB33 (Left shown above)  
Fixed Shelf



Square Corner Base

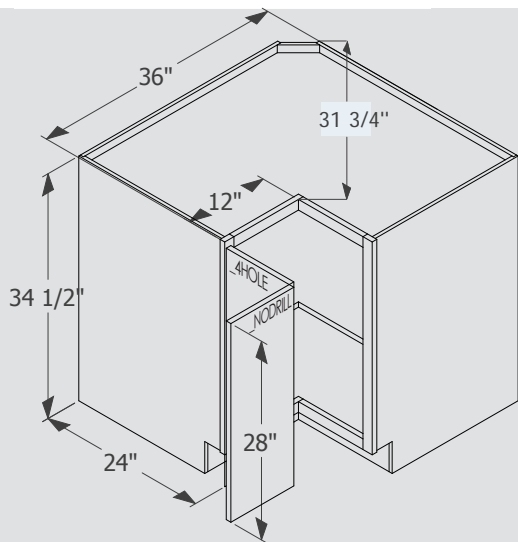
- SCB36 (Left shown above)  
Fixed Shelf

Super Square Corner Base Cabinets



Super Square Corner Base

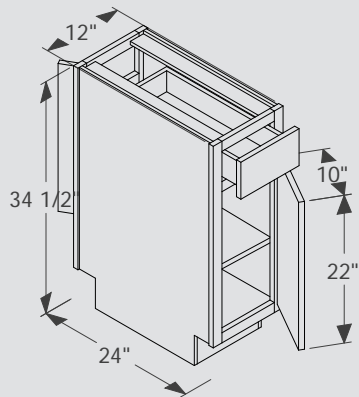
- SSCB33  
Fixed Shelf



Super Square Corner Base

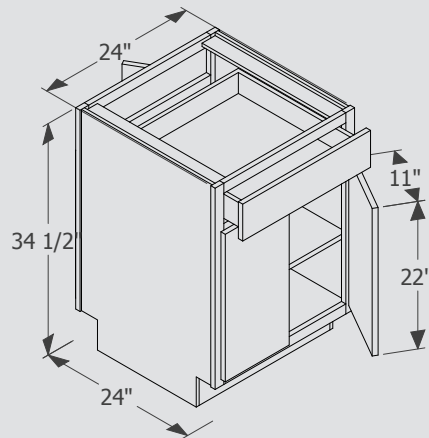
- SSCB36  
Fixed Shelf

## Peninsula Base Cabinets



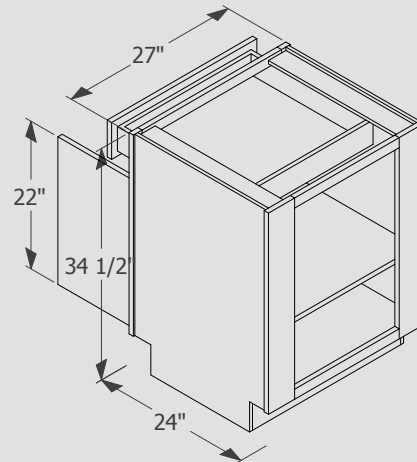
Single Door - Peninsula

- B12P            B18P
- B15P            B21P



Double Door - Peninsula

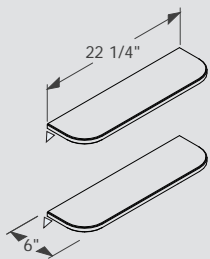
- B24BP            B39P (2 Drawer)
- B27BP            B42P (2 Drawer)
- B30BP            B45P (2 Drawer)
- B33BP            B48BP (2 Drawer)
- B36BP                    (8 doors)



Base Corner - Peninsula

- PBCC27

## Peninsula End Shelf

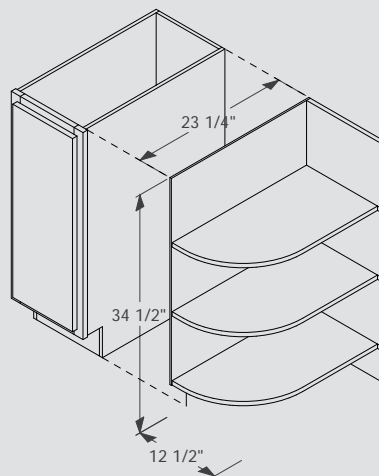


Peninsula Open End Shelf

- PBES6 (3/4" thick)
- PBES12 (3/4" thick)

Cleat for install ships loose.

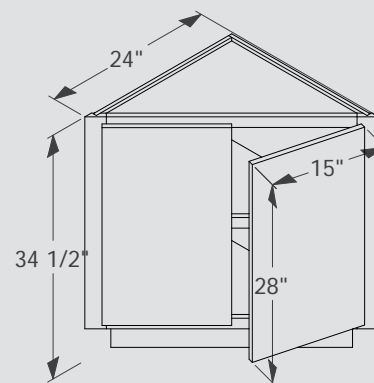
## Base End Open Shelf



Base End Open Shelf

- BEOS1224L (3/4" thick, 1/4" side)
- BEOS1224R (3/4" thick, 1/4" side)

## Base End Corner



Base End Corner

- BEC24B



Angled End Base Cabinet

Angled End Base

- AEB24

Transitional End Base Cabinet

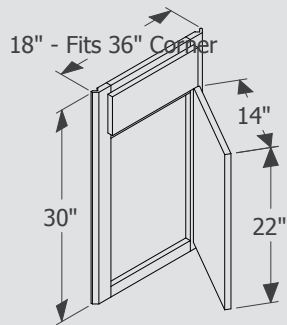
Transitional End Base

- AB12L
- AB12R

Sink Fronts

Single Door Front	Double Door Front - Butt	Double Door Front
SF12      SF18	SF24B      ●SF33B	SF39      SF45
●SF15      SF21	SF27B      SF36B	●SF42
	SF30B      SF48B (4Door)	

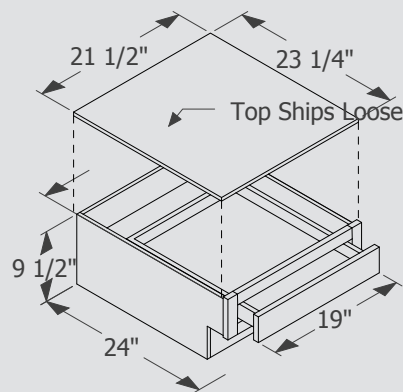
## Diagonal Sink Front



### Diagonal Front

- DSF36
- DSF42

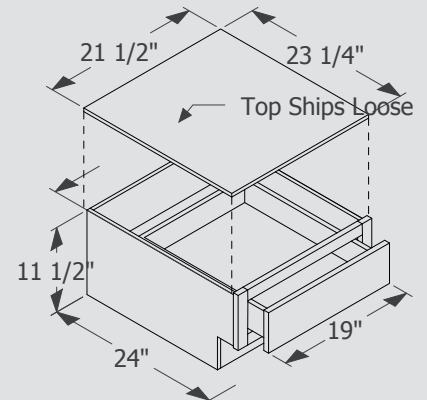
## Range Riser



### Range Riser

- RR2110      RR2710
- RR2410      RR3010

See page 54 for Drop in Range Front

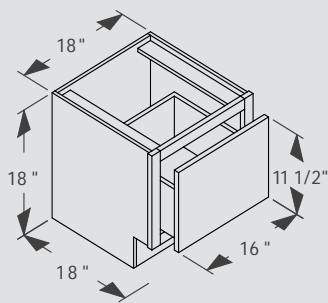


### Range Riser

- RR2112      RR2712
- RR2412      RR3012

See page 54 for Drop in Range Front

## Benches



### 18" Benches

- BENCH1D1218
- BENCH1D1518
- BENCH1D1818

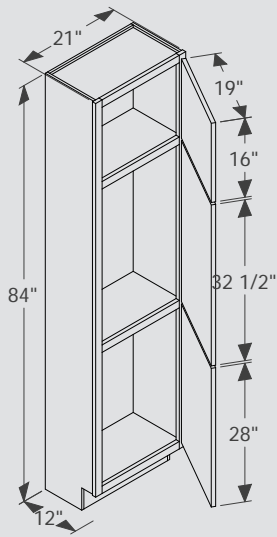
### 21" Benches

- BENCH1D1221
- BENCH1D1521
- BENCH1D1821

### 24" Benches

- BENCH1D1224
- BENCH1D1524
- BENCH1D1824

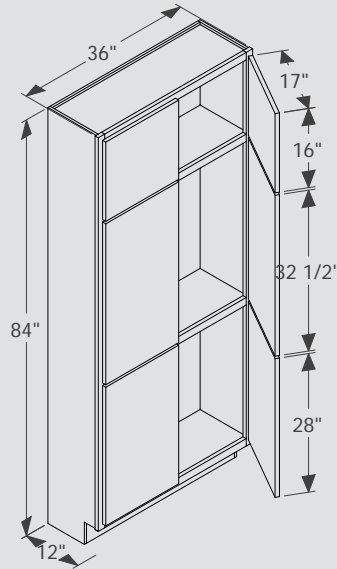
## 84" High Tall Cabinets



Tall Single Door

T128412      T188412  
T158412      ● T218412

Included shelves are fixed. Shelf kits sold separately.

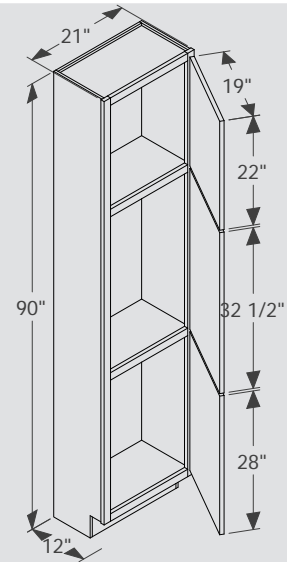


Tall Double Door

T248412B      T338412B  
T278412B      ● T368412B  
T308412B

Included shelves are fixed. Shelf kits sold separately.

## 90" High Tall Cabinets

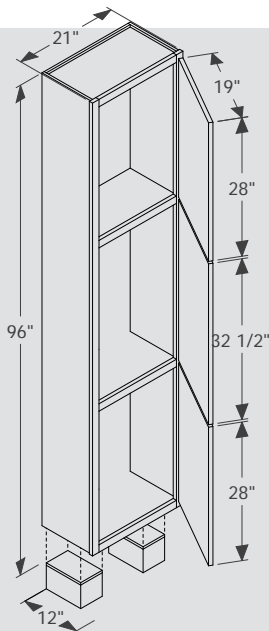


Tall Single Door

T129012      T189012  
T159012      ● T219012

Included shelves are fixed. Shelf kits sold separately.

## 96" High Tall Cabinets

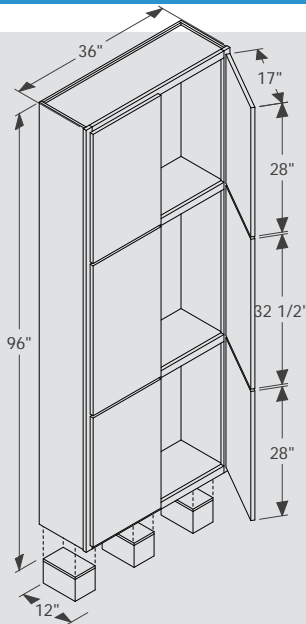


Tall Single Door

T129612      T189612  
T159612      ● T219612

Cabinet installs on included detached toe kick box (allows for easier install)

Included shelves are fixed. Shelf kits sold separately.

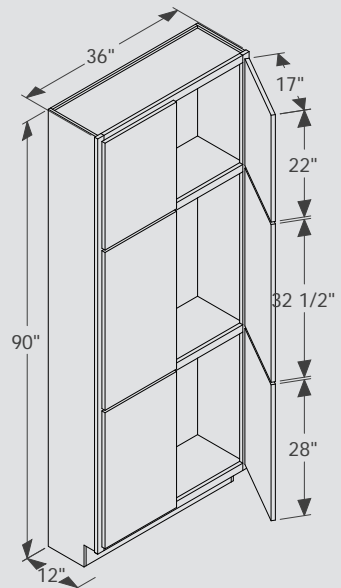


Tall Double Door

T249612B      T339612B  
T279612B      ● T369612B  
T309612B

Cabinet installs on included detached toe kick box (allows for easier install)

Included shelves are fixed. Shelf kits sold separately.



Tall Double Door

T249012B      T339012B  
T279012B      ● T369012B  
T309012B

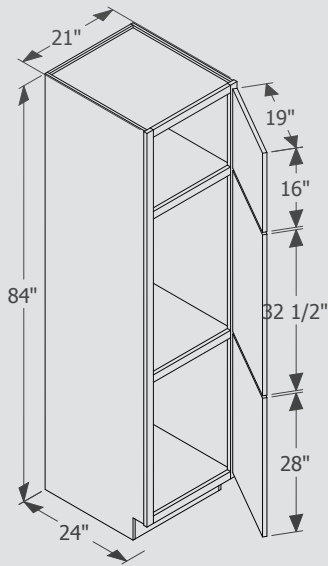
Included shelves are fixed. Shelf kits sold separately.

B : following Cabinet Size Designates Butt Doors  
Specifications Subject to Change Without Notice

# Tall Cabinets

Tall

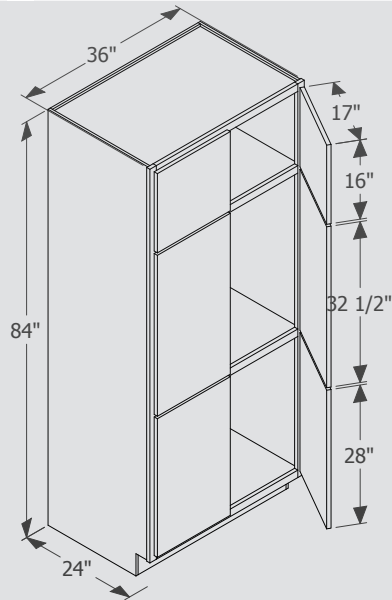
## 84" High Tall Cabinets



Tall Single Door

T128424      T188424  
T158424      ● T218424

Included shelves are fixed. Shelf kits sold separately.

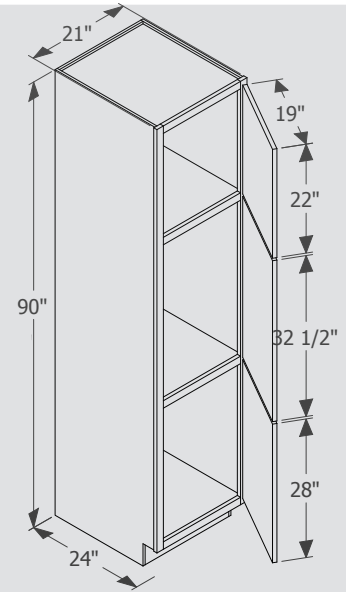


Tall Double Door

T248424B      T338424B  
T278424B      ● T368424B  
T308424B

Included shelves are fixed. Shelf kits sold separately.

## 90" High Tall Cabinets

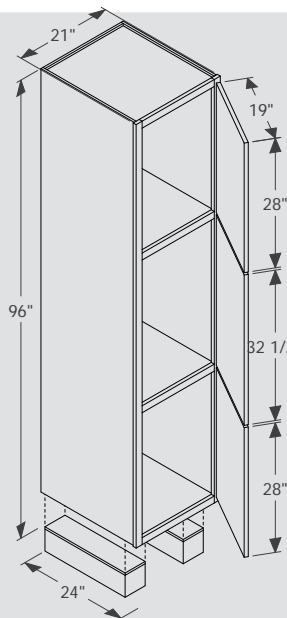


Tall Single Door

T129024      T189024  
T159024      ● T219024

Included shelves are fixed. Shelf kits sold separately.

## 96" High Tall Cabinets

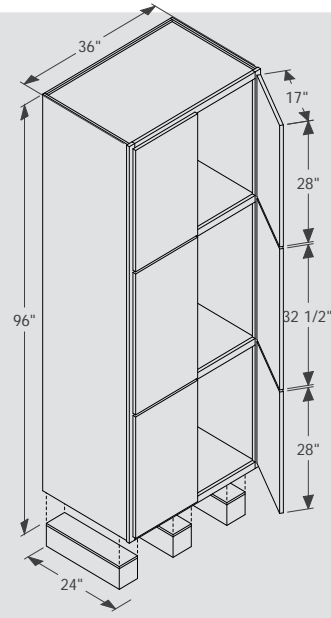


Tall Single Door

T129624      T189624  
T159624      ● T219624

Detached toe kick box, order end Skin for exposed side.

Included shelves are fixed. Shelf kits sold separately.

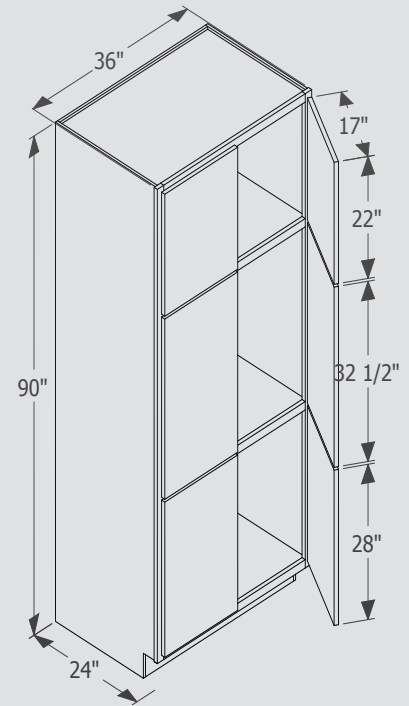


Tall Double Door

T249624B      T339624B  
T279624B      ● T369624B  
T309624B

Detached toe kick box, order end Skin for exposed side.

Included shelves are fixed. Shelf kits sold separately.

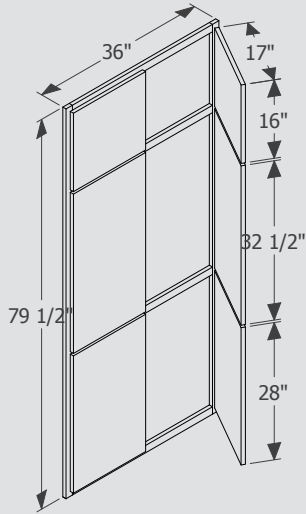


Tall Double Door

T249024B      T339024B  
T279024B      ● T369024B  
T309024B

Included shelves are fixed. Shelf kits sold separately.

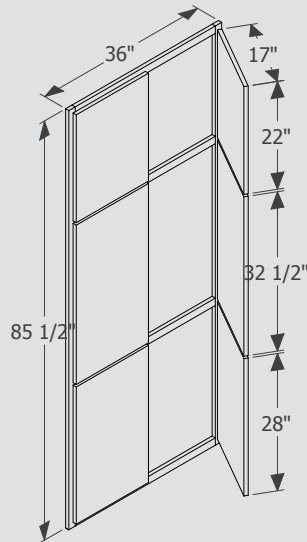
## 84" High Tall Fronts



Utility Front

UF1584	UF2784B
UF1884	UF3084
UF2184	UF3384
UF2484B	● UF3684

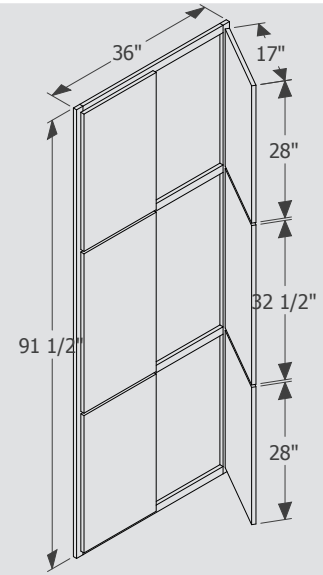
## 90" High Tall Fronts



Utility Front

UF1590	UF2790B
UF1890	UF3090
UF2190	UF3390
UF2490B	● UF3690

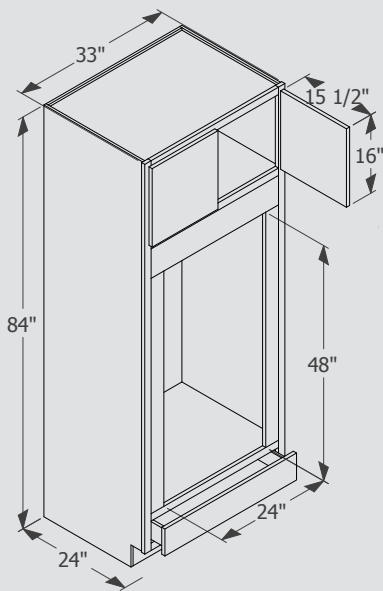
## 96" High Tall Fronts



Utility Front

UF1596	UF2796B
UF1896	UF3096
UF2196	UF3396
UF2496B	● UF3696

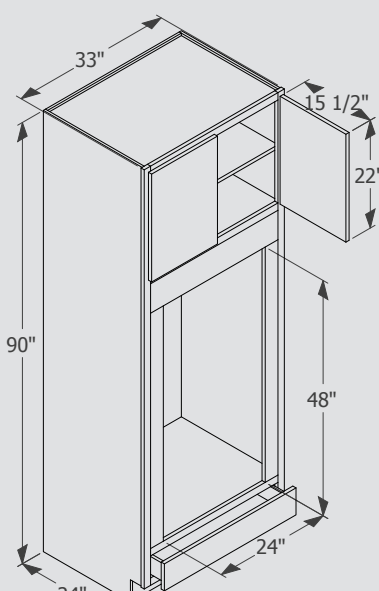
## 84" High Oven Cabinets



Universal Cabinet

OV2784B	● OV3384B
OV3084B	

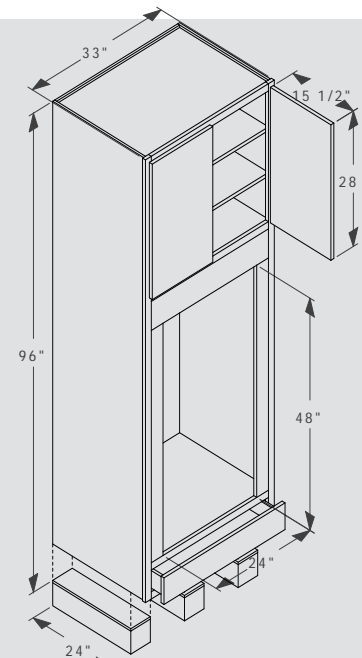
## 90" High Oven Cabinets



Universal Cabinet

OV2790B	● OV3390B
OV3090B	

## 96" High Oven Cabinets



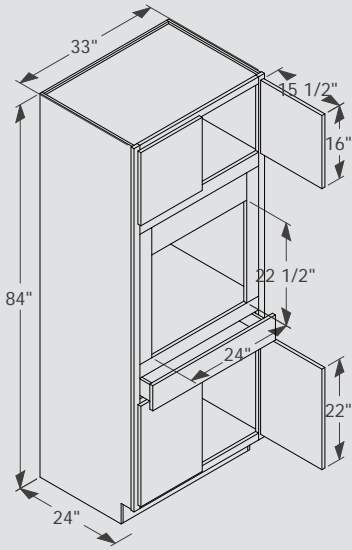
Universal Cabinet

OV2796B	● OV3396B
OV3096B	

Detached toe kick box, order end Skin for exposed side.



## 84" High Single Oven



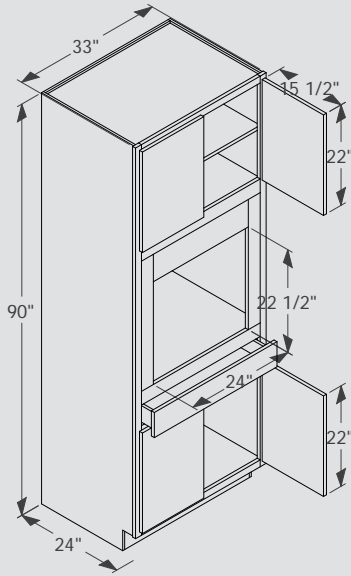
Single Oven

SOV2784B

SOV3084B

- SOV3384B

## 90" High Single Oven



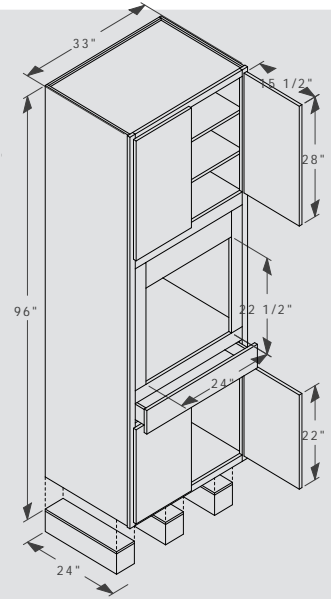
Single Oven

SOV2790B

SOV3090B

- SOV3390B

## 96" High Single Oven



Single Oven

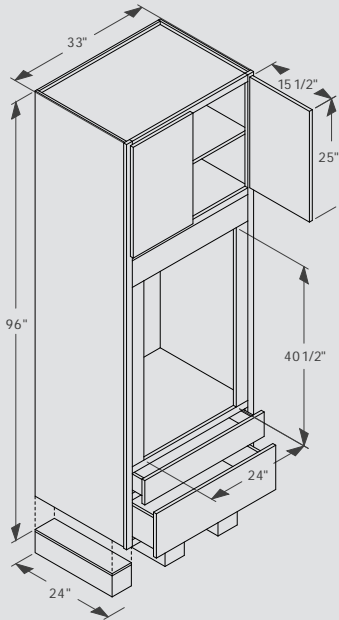
SOV2796B

SOV3096B

- SOV3396B

Detached toe kick box, order end Skin for exposed side.

## 96" High Oven with 2 Drawers

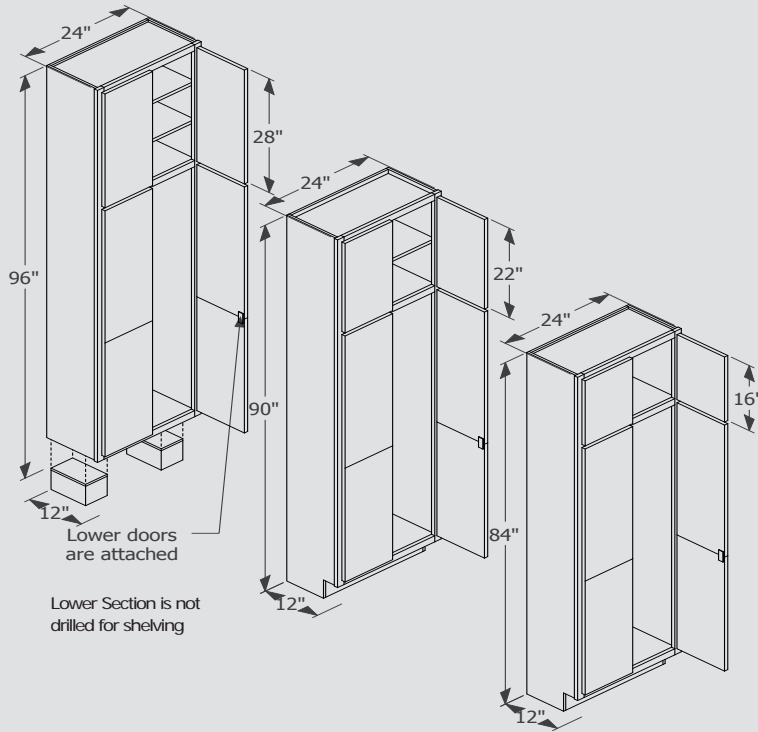


96" High Oven with 2 Drawers

- OV2D3396B

Detached toe kick box, order end Skin for exposed side.

## Tall Broom Closet



96" has detached toe kick box, order end Skin for exposed side.

### 84" High Broom Closets

TBC158412	TBC158424
TBC188412	TBC188424
● TBC248412B	TBC248424B
TBC308412B	TBC308424B

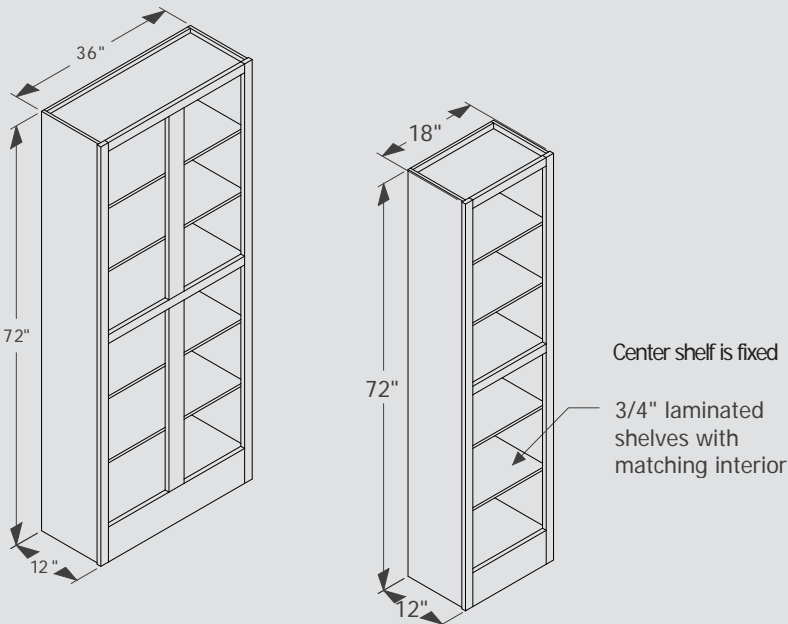
### 90" High Broom Closets

TBC159012	TBC159024
TBC189012	TBC189024
● TBC249012B	TBC249024B
TBC309012B	TBC309024B

### 96" High Broom Closets

TBC159612	TBC159624
TBC189612	TBC189624
● TBC249612	TBC249624
TBC309612	TBC309624

## Bookcases



Detached toe kick box, order end Skin for exposed side.

### 72" High Bookcases

BC127212	BC277212
BC157212	BC307212
● BC187212	BC337212
BC217212	● BC367212
BC247212	

### 84" High Bookcases

BC128412	BC278412
BC158412	BC308412
BC188412	BC338412
BC218412	BC368412
BC248412	

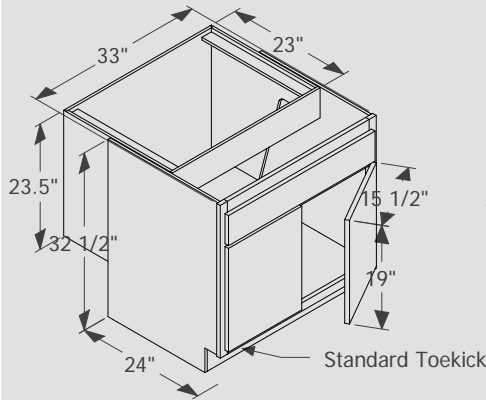
### 96" High Bookcases

BC129612	BC279612
BC159612	BC309612
BC189612	BC339612
BC219612	BC369612
BC249612	

## Universal Access Sink Base Cabinet



## Universal Access Sink Base Pocket Door

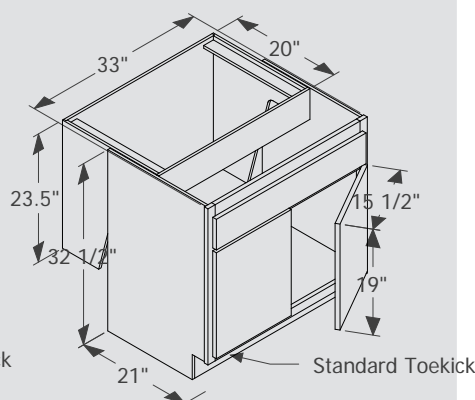


Handicap Sink Base  
(Removable Front)

SB30BHCSTDTKRF\_ADA

- SB33BHCSTDTKRF\_ADA
- SB36BHCSTDTKRF\_ADA

Removable shipping supports included.  
Matching wall hung cabinet included.  
Removable panel with clips not included.  
Also available as ADA or UFAS.

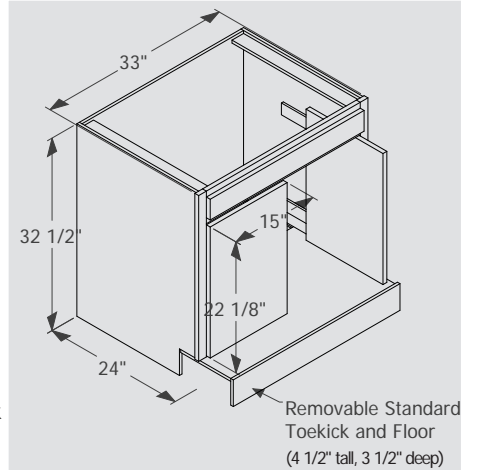


Handicap Vanity Sink Base  
(Removable Front)

VSB30BHCSTDTKRF\_ADA

- VSB33BHCSTDTKRF\_ADA
- VSB36BHCSTDTKRF\_ADA

Removable shipping supports included.  
Matching wall hung cabinet included.  
Removable panel with clips not included.  
Also available as ADA or UFAS.



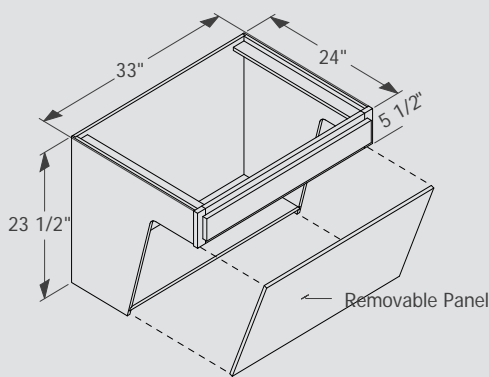
Handicap Sink Base  
(Pocket Door)

- SB33BHCSTDTK\_POC
  - SB36BHCSTDTK\_POC
- Not available in Ultimate

## Wall Hung Cabinets ADA & UFAS



## UA Vanity Sink Base Pocket Door

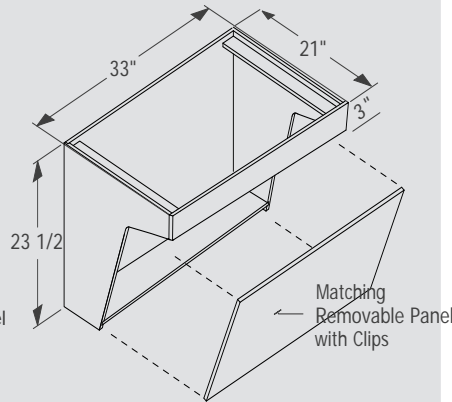


Wall Hung Base

WHB30\_ADA WHB30\_UFAS

- WHB33\_ADA WHB33\_UFAS
- WHB36\_ADA WHB36\_UFAS

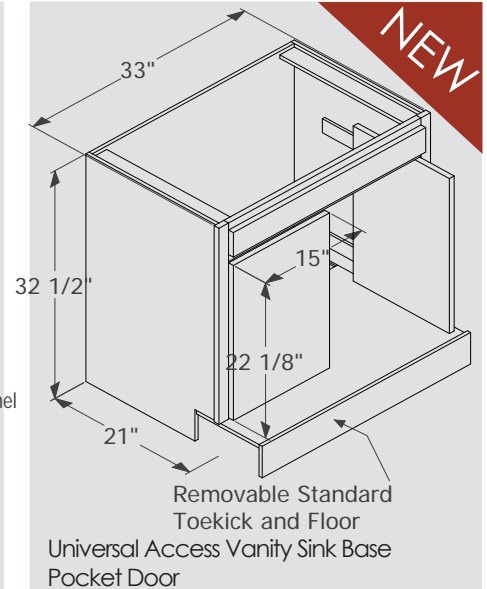
Installation supports Recommended



Wall Hung Vanity

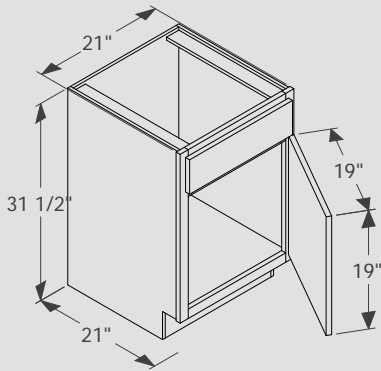
WHL30\_ADA WHL30\_UFAS

- WHL33\_ADA ● WHL33\_UFAS
- WHL36\_ADA WHL36\_UFAS



- VSB33BHCSTDTK\_POC
- VSB36BHCSTDTK\_POC

## Vanity Sink Base Cabinets



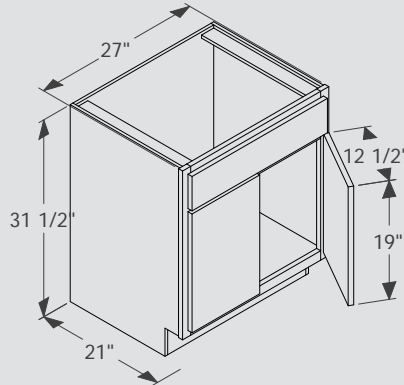
### Single Door

VSB18

● VSB21

VSB1816 (16" deep)

VSB2416 (16" deep)



### Double Door - Butt

VSB24B

VSB36B

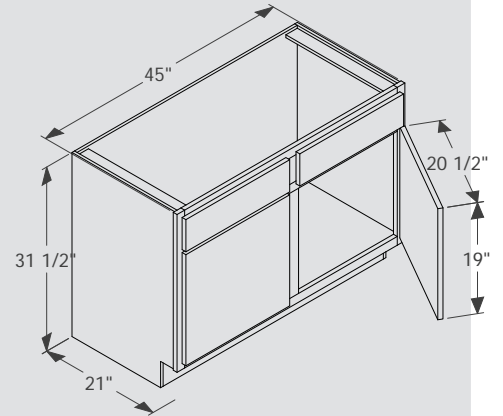
● VSB27B

VSB48B (4 doors)

VSB30B

VSB54B (4 doors)

VSB33B



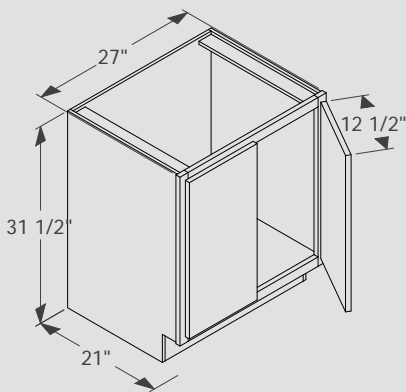
### Double Door - Double Drawer

VSB39

● VSB45

VSB42

## Vanity Sink Base Full Height Door Cabinets

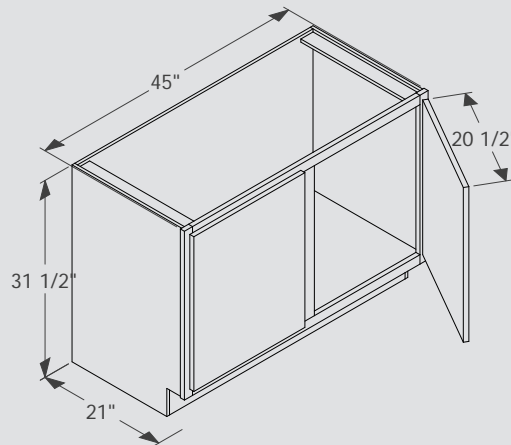


### Double Door - Butt

VSBF18 (1 door) VSBF30B

VSBF24B VSBF33B

● VSBF27B VSBF36B



### Double Door

VSBF39 VSBF54B (4 doors)

VSBF42 VSBF60B (4 doors)

● VSBF45 VSBF66B (4 doors)

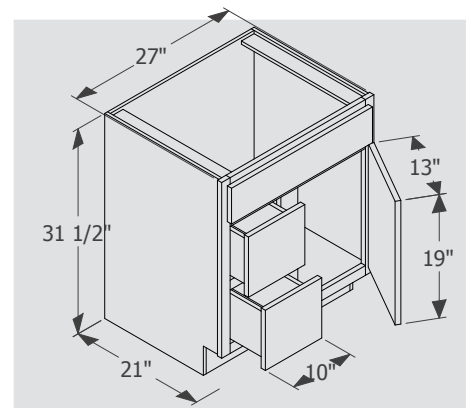
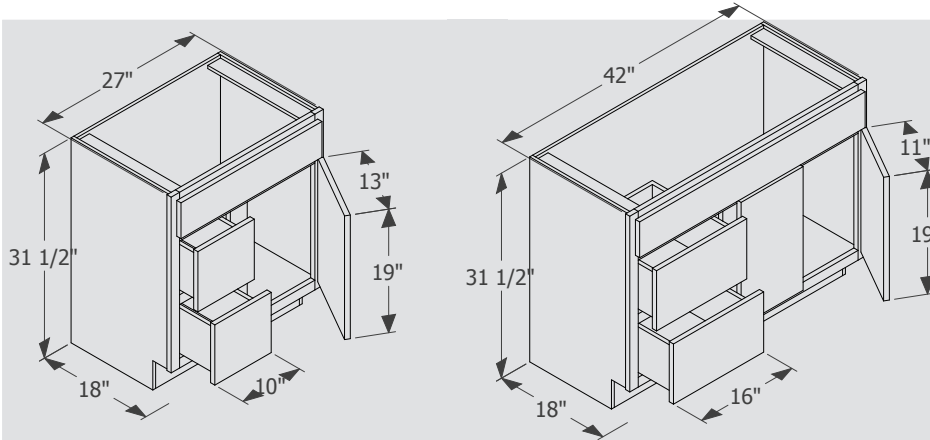
VSBF48B (4 doors) VSBF72B (4 doors)

# Vanity Cabinets

## Vanity Sink 2-Drawer Cabinets 18" Deep



## Vanity Sink 2-Drawer Cabinets



### Vanity Sink Drawer Base

- |             |           |
|-------------|-----------|
| VS2D2418L   | VS2D3318L |
| VS2D2418R   | VS2D3318R |
| ● VS2D2718L | VS2D3618L |
| VS2D2718R   | VS2D3618R |
| VS2D3018L   |           |
| VS2D3018R   |           |

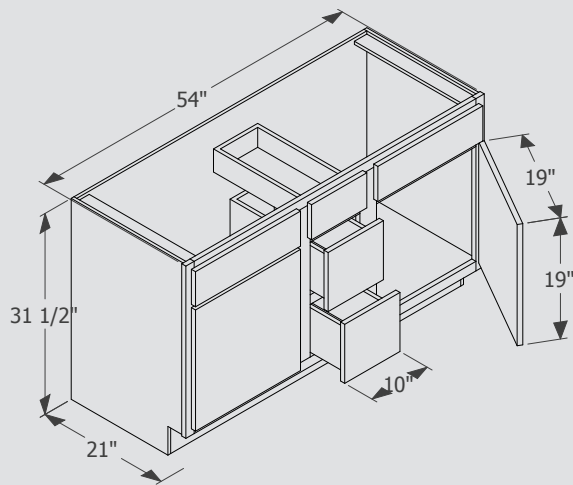
### Vanity Sink Drawer Base

- VS2D4218BL
- VS2D4218BR
- VS2D4518BL (2 False Drawer Fronts)
- VS2D4518BR (2 False Drawer Fronts)
- VS2D4818BL (2 False Drawer Fronts)
- VS2D4818BR (2 False Drawer Fronts)

### Vanity Sink Drawer Base

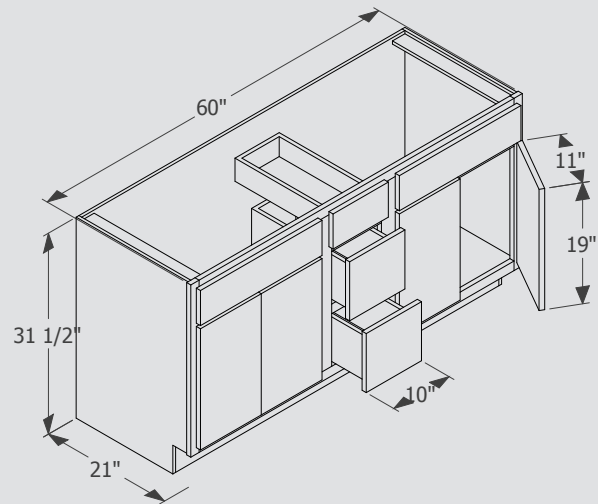
- |           |                         |
|-----------|-------------------------|
| VS2D24L   | VS2D36L                 |
| VS2D24R   | VS2D36R                 |
| ● VS2D27L | VS2D42BL (2 Door)       |
| VS2D27R   | VS2D42BR (2 Door)       |
| VS2D30L   | VS2D45BL (2 Door)       |
| VS2D30R   | VS2D45BR (2 Door)       |
| VS2D33L   | VS2D48BL (2 Door)       |
| VS2D33R   | VS2D48BR (2 Door)       |
|           | (2 False Drawer Fronts) |

## Vanity Center Drawer Base Cabinets



2 Door 3 Drawer Combination Vanity with 1 Drawer Stack

- VCD54

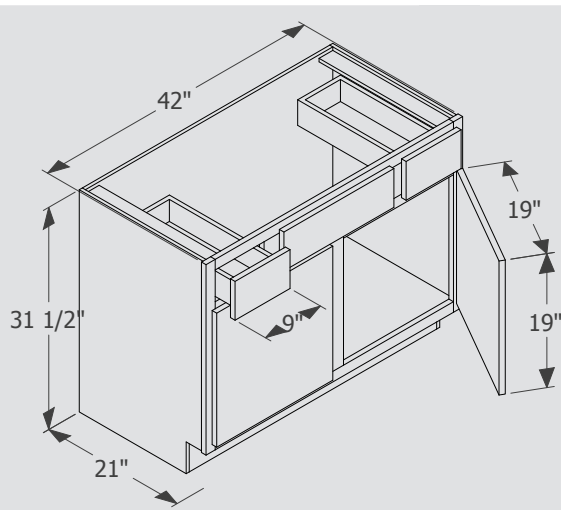


4 Door 3 Drawer Combination Vanity with 1 Drawer Stack

- VCD60B      VCD72B
- VCD66B

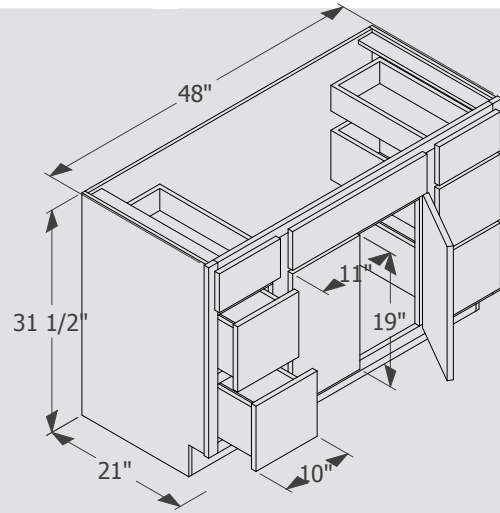
Vanity

## Vanity Sink Combination Cabinets



Combination Vanity Sink Base

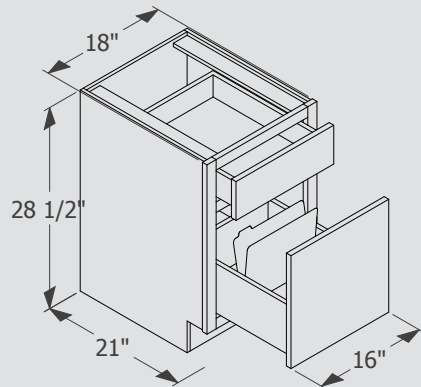
- |         |                 |
|---------|-----------------|
| VSC36B  | VSC48B (4 door) |
| VSC39   | VSC54B (4 door) |
| ● VSC42 | VSC60B (4 door) |
| VSC45   | VSC72B (4 door) |



2 Door with 6 Drawer  
Combination Vanity

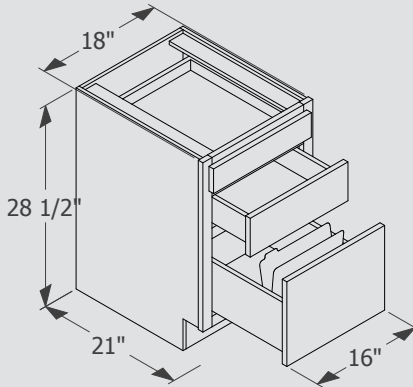
- |                 |         |
|-----------------|---------|
| VS6D42 (1 door) | VS6D60B |
| VS6D45 (1 door) | VS6D66B |
| ● VS6D48B       | VS6D72B |

## Vanity File Cabinets



2 Drawer

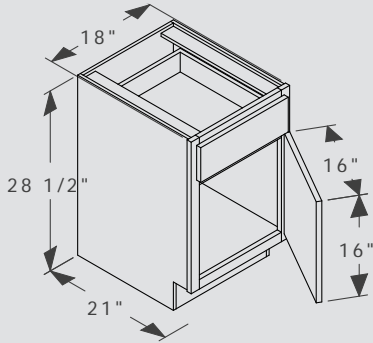
- V2D18DH
  - V2D21DH
- Hanging file rack not included.



3 Drawer

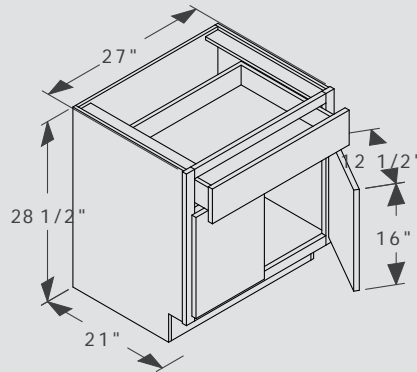
- V3D18DH
  - V3D21DH
- Hanging file rack not included.

## Vanity Desk Height



### 1 Door 1 Drawer

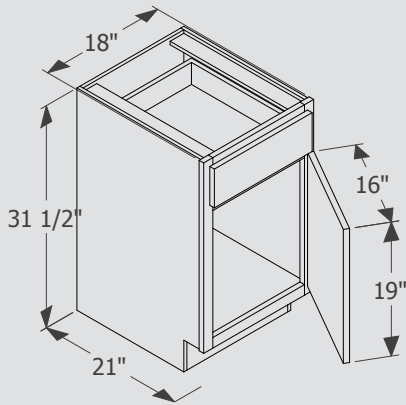
VB12DH	VB21DH
VB15DH	VB24DH
● VB18DH	



### 2 Door 1 Drawer

● VB27BDH	VB33BDH
VB30BDH	VB36BDH

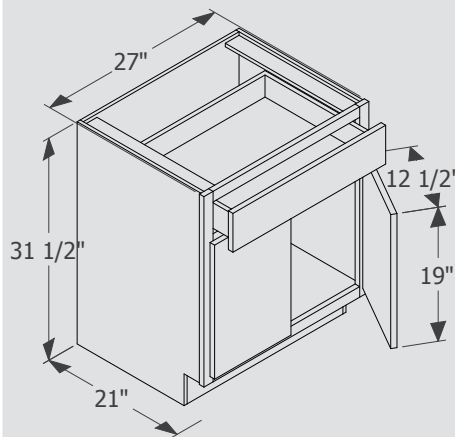
## Single Door / Drawer Cabinets



### 1 Door 1 Drawer

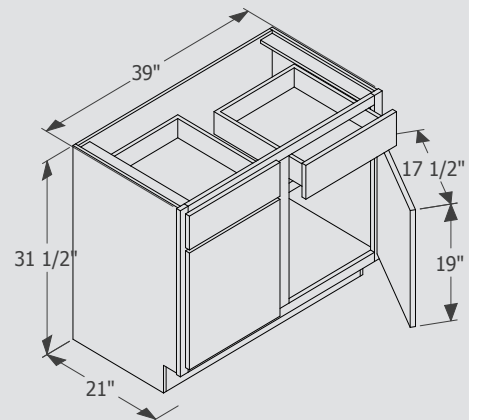
VB12	VB21
VB15	VB24
● VB18	

## Double Door / Drawer Cabinets



### Double Door - Butt

VB24B	VB33B
● VB27B	VB36B
VB30B	

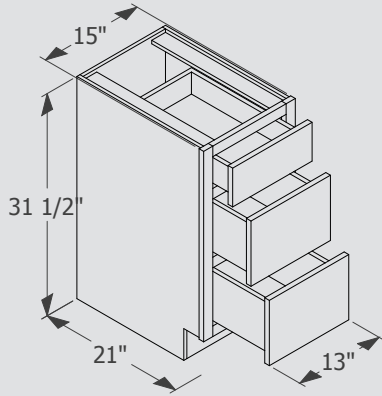


### 2 Doors 2 Drawers

● VB39	VB45
VB42	VB48B (4 door)

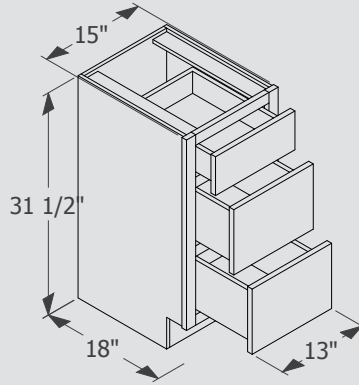


## 3 Drawer Vanity Base Cabinets



Vanity Drawer Base

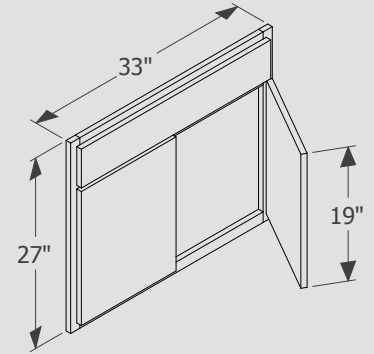
- |         |       |
|---------|-------|
| V3D12   | V3D21 |
| ● V3D15 | V3D24 |
| V3D18   |       |



Vanity Drawer Base - 18" Deep

- |           |         |
|-----------|---------|
| V3D1218   | V3D2118 |
| ● V3D1518 | V3D2418 |
| V3D1818   |         |

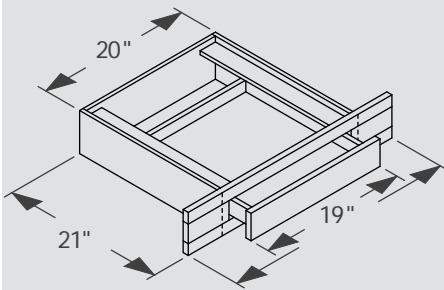
## Vanity Sink Front



Double Door

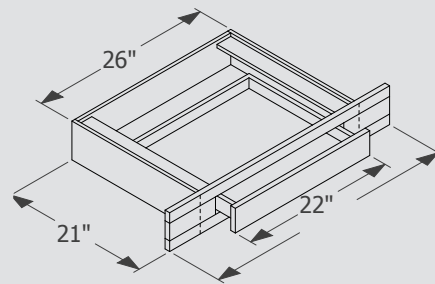
- |        |                 |
|--------|-----------------|
| VSF15  | ● VSF33B        |
| VSF18  | VSF36B          |
| VSF21  | VSF39           |
| VSF24B | VSF42           |
| VSF27B | VSF45           |
| VSF30B | VSF48B (4 door) |

## Vanity Knee Drawer



Trimnable to 20"

- |        |                       |
|--------|-----------------------|
| ● VK30 | (21" Deep, 5.5" tall) |
|--------|-----------------------|

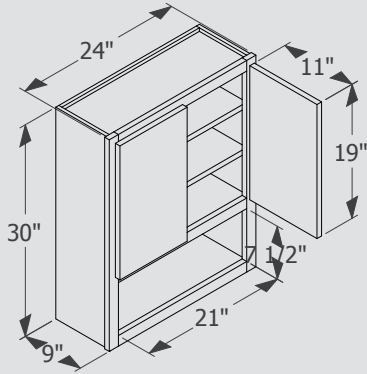


Trimnable to 26"

- |        |                       |
|--------|-----------------------|
| ● VK36 | (21" Deep, 5.5" tall) |
|--------|-----------------------|

# Vanity Cabinets

## Vanity Wall Boutique

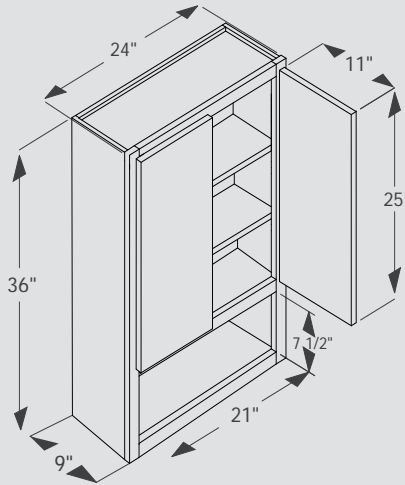


### Vanity Wall

- VW2430BMI (9" Deep)
- VW24306BMI (6" Deep)

Matching interior included on wall boutique

3/4" Thick Shelves



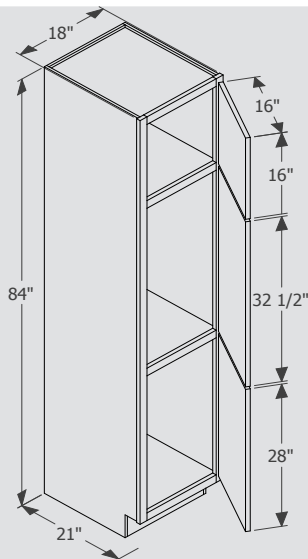
### Vanity Wall

- VW2436BMI (9" Deep)
- VW24366BMI (6" Deep)

Matching interior included on wall boutique

3/4" Thick Shelves

## Tall Linen Cabinet

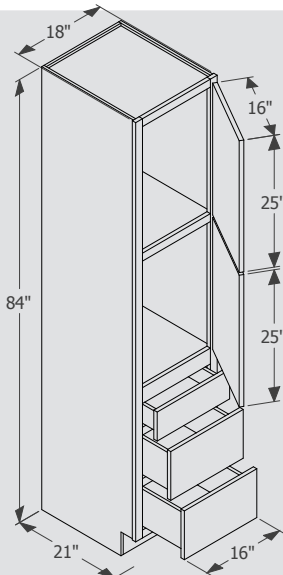


### 84" High 18" Deep

- LT158418      LT248418B
- LT188418      LT308418B

### 84" High 21" Deep

- LT158421      LT248421B
- LT188421      LT308421B

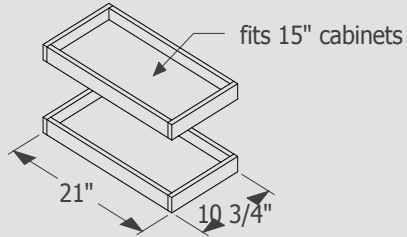
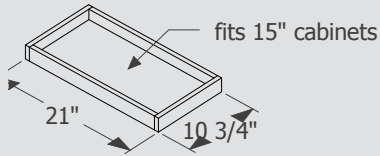


### 3 Drawer Single Door

- LT3D188418
- LT3D188421

Included shelves are fixed. Shelf kits sold separately. Rollouts not available in 18" & 21" deep linen cabinets.

## Roll Out Shelves -Single (for butt door cabinets)



### Single set of 1

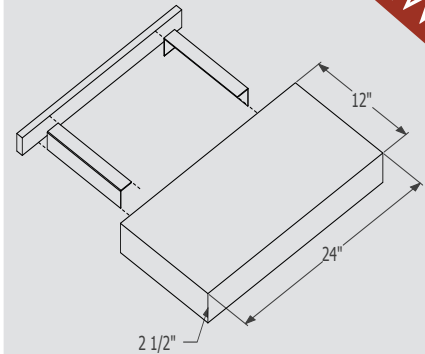
- ROS15\_1      ROS27\_1
- ROS18\_1      ROS30\_1
- ROS21\_1      ROS33\_1
- ROS24\_1      ROS36\_1

### Single set of 2

- ROS15\_2      ROS27\_2
- ROS18\_2      ROS30\_2
- ROS21\_2      ROS33\_2
- ROS24\_2      ROS36\_2

Available in 21" Vanity Depth. Example: VROS15\_1

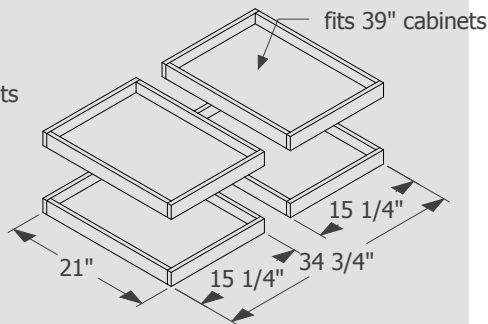
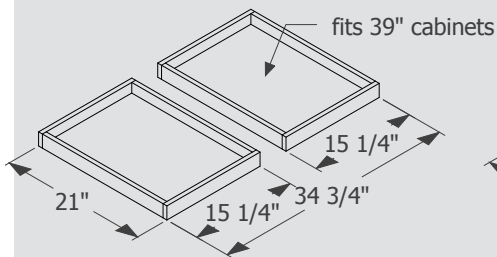
## Floating Shelves



### Floating Shelves

- FLSH2412
- FLSH3012
- FLSH3612
- FLSH4212

## Roll Out Shelves -Double (for non-butt door cabinets)



### Double set of 2

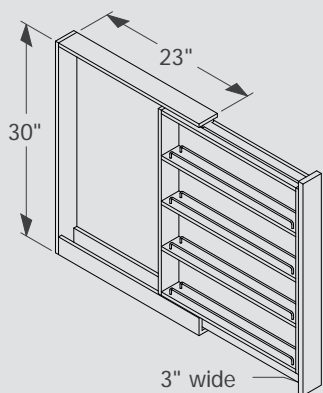
- ROS39\_2      ROS45\_2
- ROS42\_2      ROS48\_2

### Double set of 4

- ROS39\_4      ROS45\_4
- ROS42\_4      ROS48\_4

Available in 21" Vanity Depth. Example: VROS39\_2

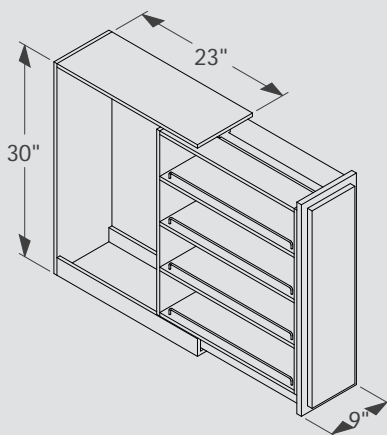
## Pull Out Storage Cabinet



Pull out Storage Cabinet

- POSC3 (3" wide)
- POSC6 (6" wide)

\*Must be attached to cabinets on both sides.  
 \*Unit is not freestanding.  
 \*False front included, not attached

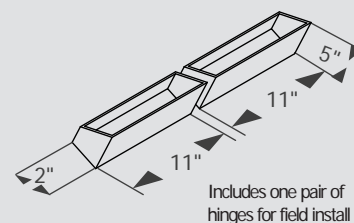


Pull out Storage Cabinet

- POSC9 (9" wide)

\*Must be attached to cabinets on both sides.  
 \*Unit is not freestanding.  
 \*False front / frame included, not attached.

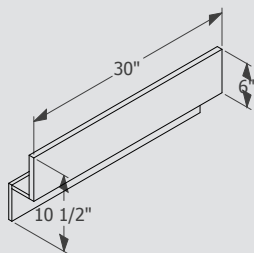
## Tilt-Out Sink Trays



Sink Tray - white

- TOST (2 trays, 1 hinge set)  
 (11" wide - 9" center for screws)

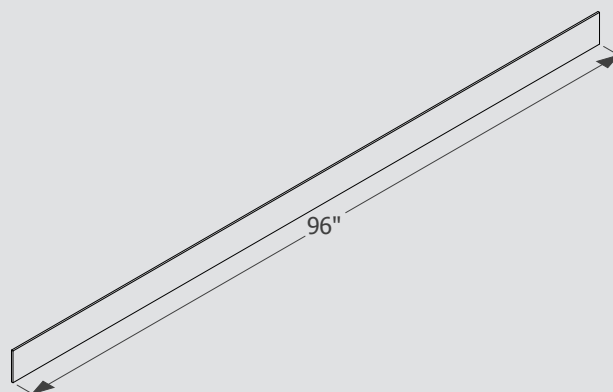
## Drop in Range Front



Drop-in Range Front

- DRF30

## Wood Veneer Toe Kick



96" Wide

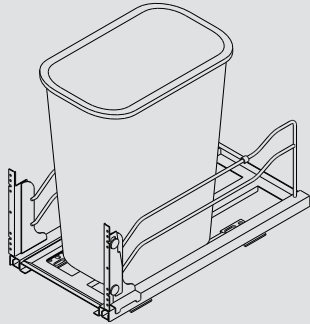
- TK8 (Box of 20)
- TK8S (Single Piece)
- TK8SHC (Single 9" tall Handicap Piece)

## Laminated Toe Kick

96" Wide

- TK8L (Box of 20)
- TK8LS (Single Piece)
- TK8LSHC (Single 9" tall Handicap Piece)

## Waste Bins

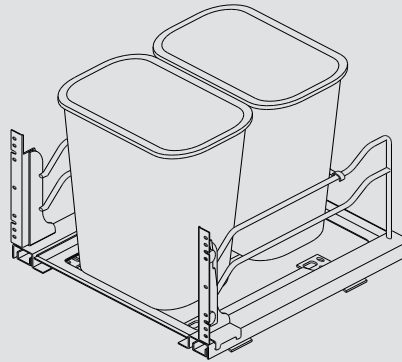


### Single Bin

- BIN1\_15 35 quart bin

B15\_BIN1 (factory install)

Door comes attached



### Double Bin

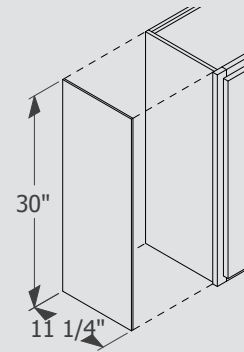
- BIN2\_18 35 quart bin

B18\_BIN2 (factory install)

B21\_BIN2 (factory install)

Door comes attached

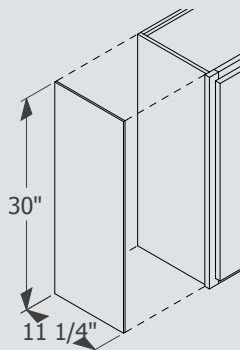
## Wood Veneer End Skins



### Wood Veneer End Skin

- WES30 (11.25x30) BES (23.25x34.5)
- WES36 (11.25x36) VES (20.25x31.5)
- WES42 (11.25x42) TES (23.25x96)
- WES4218 (17.25x42)  
(1/4" thick)

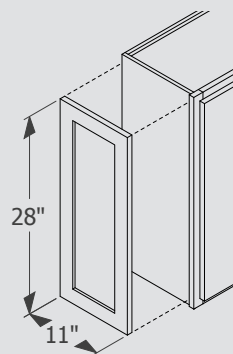
## Laminated End Skins



### Laminated End Skin

- WES30L (11.25x30) BESL (23.25x34.5)
- WES36L (11.25x36) VESL (20.25x31.5)
- WES42L (11.25x42) TESL (23.25x96)
- WES4218L (17.25x42)  
(1/4" thick)

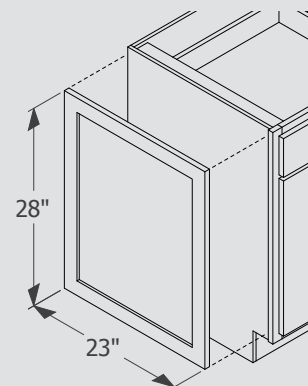
## Decorative End Panel



### Wall End Panel

- DWP12 • DWP30
- DWP15 DWP36
- DWP18 DWP42
- DWP24

Decorative Panel comes in door style ordered

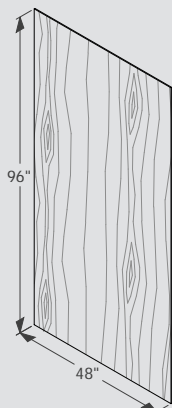


### Base End Panel

- DBP24

Decorative Panel comes in door style ordered

## Wood Veneer Paneling

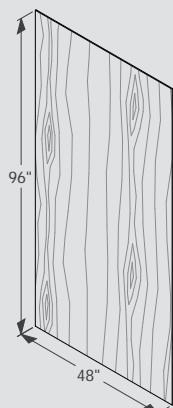


Wood Veneer 48" Wide

- P4896 (48x96)
- P4834.5 (48x34.5)

(1/4" thick)

## Laminated Paneling



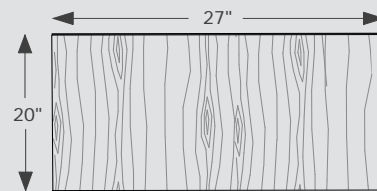
Laminated (1/4" thick)

- P4896L (48x96)
- P4834.5L (48x34.5)

Laminated (1/2" thick)

- P.54896L (48x96)

## Removable Front Panel Kit



Laminated 1/2" thick

- RFPPANEL\_SB30
- RFPPANEL\_SB33
- RFPPANEL\_SB36
- RFPPANEL\_SB39
- RFPPANEL\_SB42
- RFPPANEL\_VSB30
- RFPPANEL\_VSB33
- RFPPANEL\_VSB36

Includes Clips

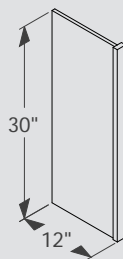
## Tall End Panels



Tall End Panels (1 side matching)

- TEP 1.58412 TEP 38412
- TEP 1.58424 TEP 38424
- TEP 1.59012 TEP 39012
- TEP 1.59024 TEP 39024
- TEP 1.59612 TEP 39612
- TEP 1.59624 TEP 39624
- TEP 1.59627 TEP 39627
- TEP 1.59630 TEP 39630

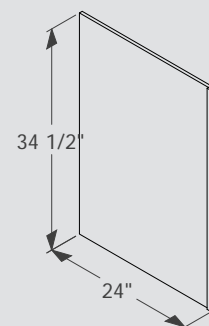
## Wall End Panels



Wall End Panels (1 Side Matching)

- WEP 1.530 WEP 330
  - WEP 1.536 WEP 336
  - WEP 1.542 WEP 342
- (1/2" thick)

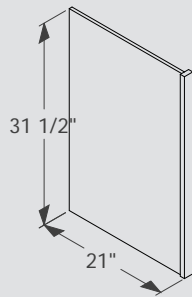
## Base End Panels



Base End Panels (1 Side Matching)

- BEP1.5
  - BEP3
  - BEP6
  - BEP75\_PANEL
- (3/4" thick)

## Vanity End Panels



Vanity End Panels (1 Side Matching)

- VEP1.5
- VEP3

(1/2" thick)

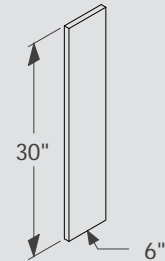
## TEP 75 Panels



TEP 75 Panels

- 75\_PANEL\_12X96
  - 75\_PANEL\_15X96
  - 75\_PANEL\_24X96
  - 75\_PANEL\_48X96
- (3/4" Thick Veneer Plywood Edgebanded.)

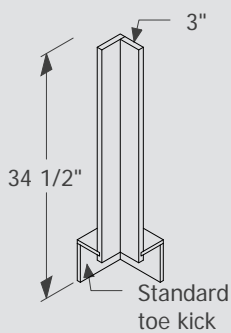
## Wall / Tall Fillers



Wall Filler

- |         |       |
|---------|-------|
| WF330   | WF342 |
| • WF630 | WF642 |
| WF930   | TF384 |
|         | TF684 |
|         | TF396 |
|         | TF696 |

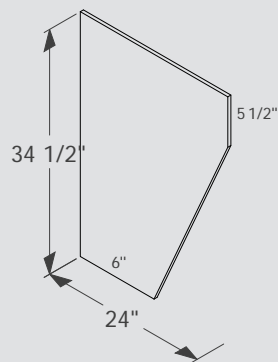
## Base Corner Filler



Base Corner

- BCF3x3

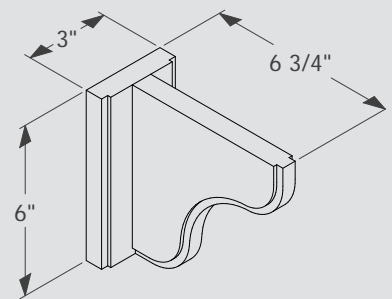
## Leg



Leg

- BTLEGMI (24"D x 34 1/2"H)
  - VTLEGMI (21"D x 31 1/2"H)
  - VTLEGHCFMI (21"D x 32 1/2"H)
- (1/2" thick)

## Wood Support Bracket

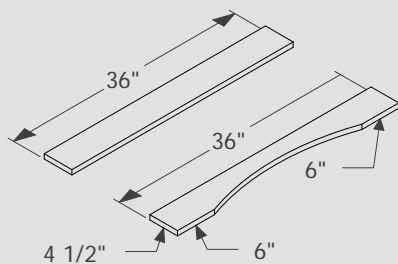


Bracket

- WSB66
- WSB99
- WSB1212



## Valance / Arched Valance



### Straight

VAL30	VAL54
VAL33	VAL60
• VAL36	VAL72
VAL39	VAL84
VAL48	VAL96

### Arched

• A-VAL36	A-VAL54
A-VAL42	A-VAL60
A-VAL48	A-VAL72

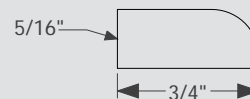
## Batten Moulding



### Batten

BM8	(Box of 25)
• BM8S	(single piece)

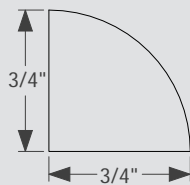
## Scribe Moulding



### Scribe

SCM8	(Box of 25)
• SCM8S	(single piece)

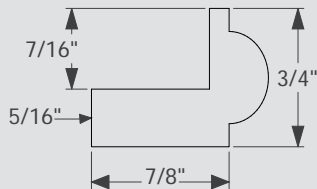
## Shoe Moulding



### Shoe

SM8	(Box of 25)
• SM8S	(single piece)

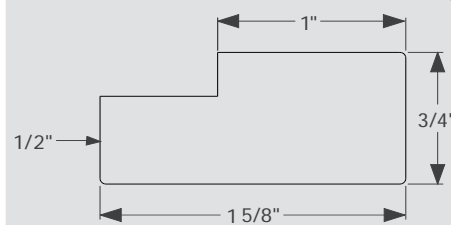
## Under Mount Moulding



### Under Mount

UM8	(Box of 25)
• UM8S	(single piece)

## Light Rail



### Light Rail

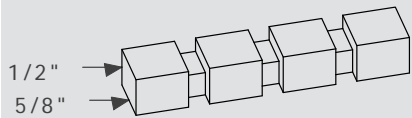
• LR8	(Box of 10)
LR8S	(single piece)

## Rope & Dentil Moulding



Rope

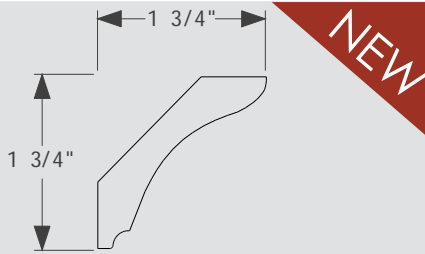
- RP8S (single piece)



Dentil

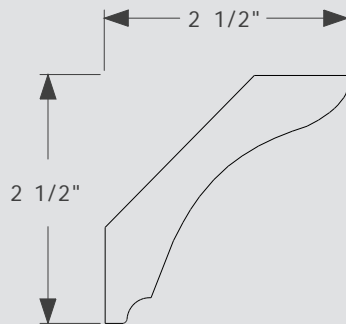
- DEN8S (single piece)

## Cove Moulding



Small Cove Moulding

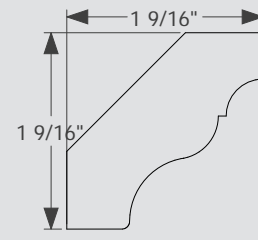
- SCOVE8 (Box of 10)
- SCOVE8S\_1 (single piece)



Large Cove Moulding

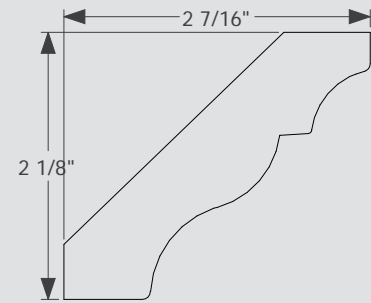
- LCOVE8 (Box of 10)
- LCOVE8S\_1 (single piece)

## Crown Moulding



Crown

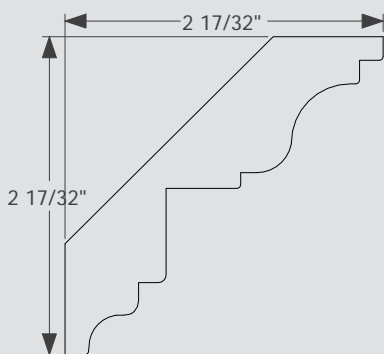
- CM8 (Box of 10)
- CM8S (single piece)



Large Crown

- LCM8 (Box of 10)
- LCM8S (single piece)

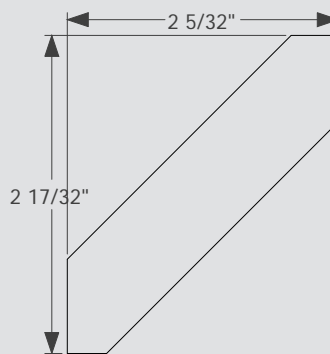
## Deluxe Crown Moulding



Deluxe

- DLCM8S (single piece)

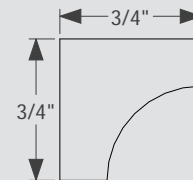
## Shaker Crown Moulding



Shaker

- SHCM8 (Box of 10)
- SHCM8S (single piece)

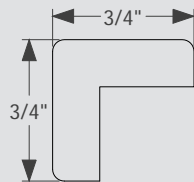
## Inside Corner



Inside

- IC8 (Box of 25)
- IC8S (single piece)

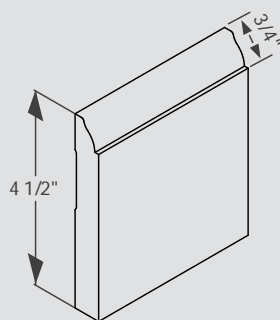
## Outside Corner



### Outside

- |        |                |
|--------|----------------|
| OC8    | (Box of 25)    |
| ● OC8S | (single piece) |

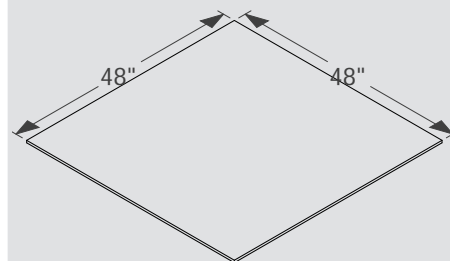
## Baseboard Molding



### Base

- |         |                |
|---------|----------------|
| BBM8    | (Box of 10)    |
| ● BBM8S | (single piece) |

## Sink Floor



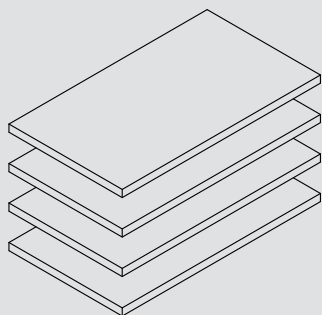
### Floor

- |           |              |
|-----------|--------------|
| ● SFF4848 | 48" x 48"    |
| SFF4896   | 48" x 96"    |
| SFF4848MI | 48" x 48" MI |
| SFF4896MI | 48" x 96" MI |

WIDTH x DEPTH

## Tall Shelf Kit

Fits into 21" X 12" Cabinets.



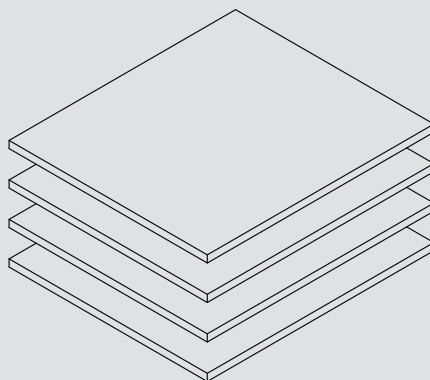
Set of 4 (includes clips)

- |           |         |         |
|-----------|---------|---------|
| TSK1212   | TSK3012 | TSK2124 |
| TSK1512   | TSK3612 | TSK2424 |
| TSK1812   | TSK1224 | TSK3024 |
| ● TSK2112 | TSK1524 | TSK3624 |
| TSK2412   | TSK1824 |         |

WIDTH x DEPTH

## Linen Shelf Kit

Fits into 24" X 21" Cabinets.

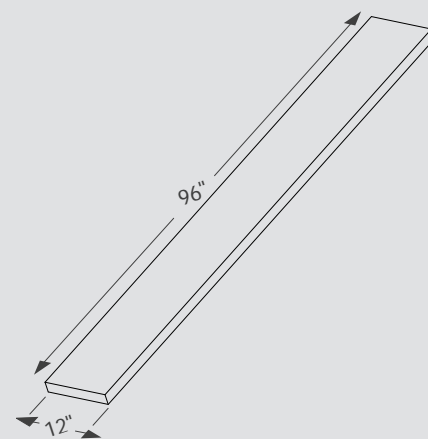


Set of 4 (includes clips)

- |           |
|-----------|
| TSK1821   |
| ● TSK2421 |

WIDTH x DEPTH

## Veneer Shelving

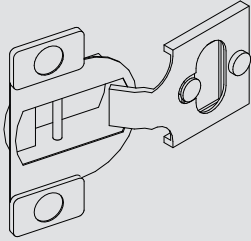


Veneer Plywood Shelving

- 75\_Panel\_12x96
- 75\_Panel\_15x96
- 75\_Panel\_24x96
- 75\_Panel\_48x96

3/4" Thick Edgebanded Front.

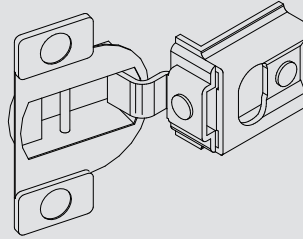
## Standard Door Hinge



Standard Door Hinges

HINGES 2 qty, 6-way adjustable

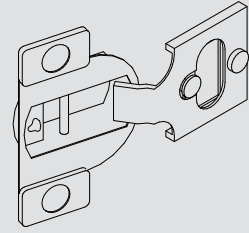
## Full Overlay Door Hinge



Full Overlay Door Hinge

OVER\_LAY\_HINGES 2 qty, 6-way adjustable

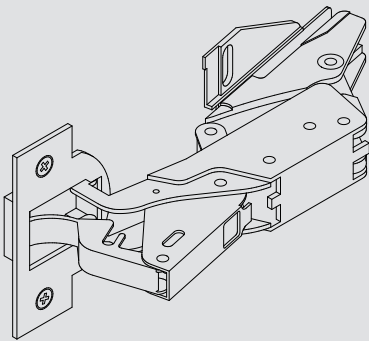
## Soft Close Hinge - Standard



Soft Close Hinge - Standard

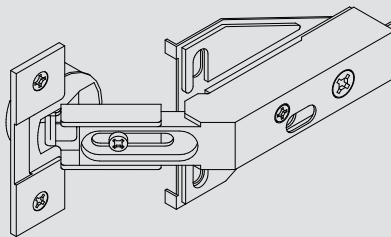
HINGES\_SOFT  
HINGES\_SOFT\_25 25 pairs

## Lazy Susan Door Hinge



Attaches Door to Face Frame

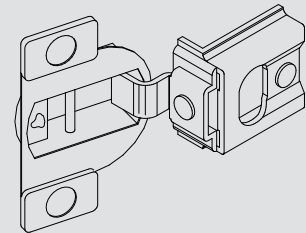
LSHINGE\_SIDE 2 qty



Attaches Door to Door

LSHINGE\_CENTER 2 qty

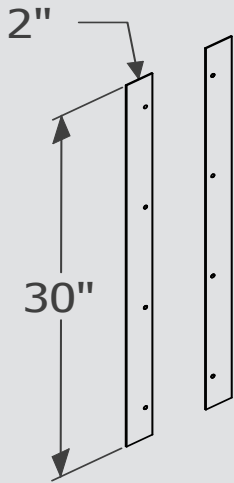
## Soft Close Hinge - Full Overlay



Soft Close Hinge - Full Overlay

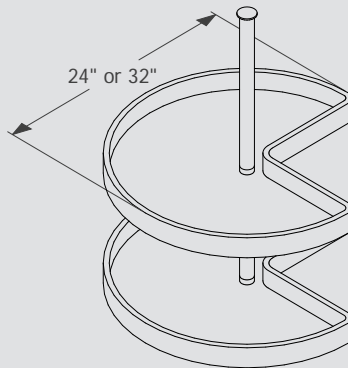
HINGES\_SOFT\_FOL  
HINGES\_SOFT\_FOL\_25 25 pairs

## Heat Shield



Heat Shield  
HEAT\_SHIELD (1 pair)

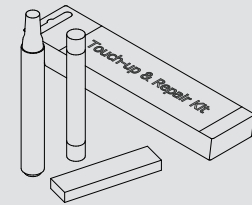
## Lazy Susan Kit



### Lazy Susan Parts

DWALS_KIT	SLS33_KIT
LS33_KIT	SLS33_TRAY
LS33_TRAY	SLS36_KIT
LS36_KIT	SLS36_TRAY
LS36_TRAY	

## Touch Up



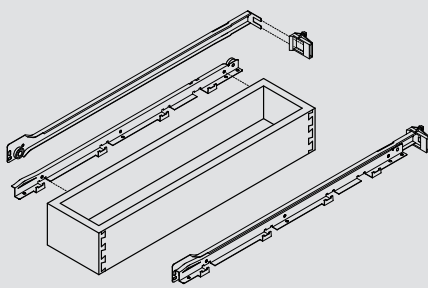
### Touch up Kit

- TUK (includes stain marker, filler, and sponge)

### Stains

QSTAIN	(quart)
TOPCOAT_CAN	(spray)
QPAINT	

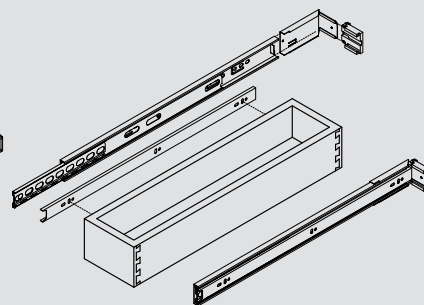
## Drawer Box Slides



### Standard Slides

15SLIDE SET	15" deep
18SLIDE SET	18" deep
21SLIDE SET	21" deep
24SLIDE SET	24" deep

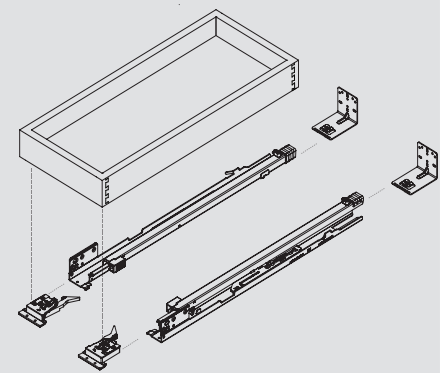
75 lb dynamic rating



### Full Extension Slides

15SLIDE SET FULL EXT	15" deep
18SLIDE SET FULL EXT	18" deep
21SLIDE SET FULL EXT	21" deep
24SLIDE SET FULL EXT	24" deep

100 lb dynamic rating



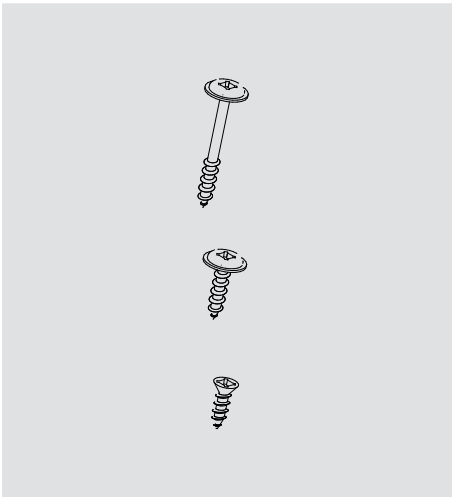
## G\*GRASS®

### Undermount Soft Close Drawer Slides

15SLIDE SET UNDER	15" deep
18SLIDE SET UNDER	18" deep
21SLIDE SET UNDER	21" deep
24SLIDE SET UNDER	24" deep

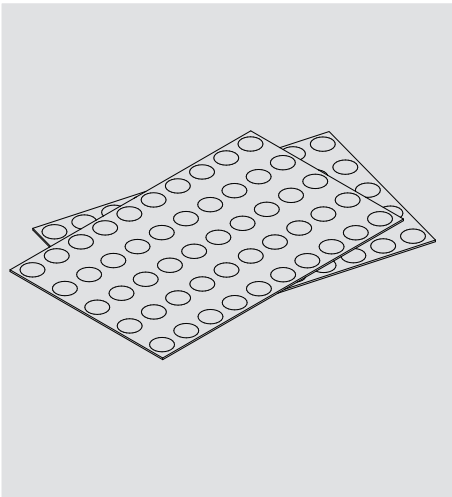
75 lb dynamic rating

Screws



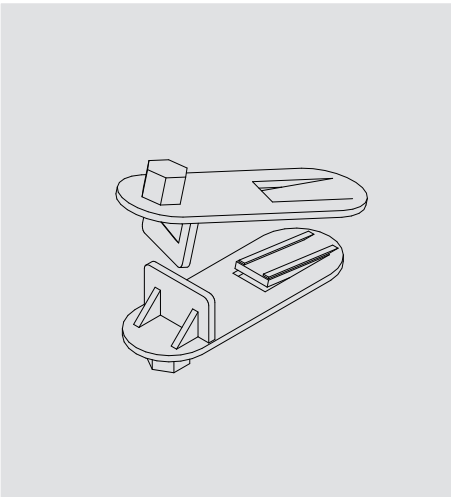
Screws	
DRFRONT SCREW25	Drawer Front Screws
HINGE SCREW25	Door Hinge Screws
SLIDE SCREW25	Drawer Slide Screws

Door Bumpers



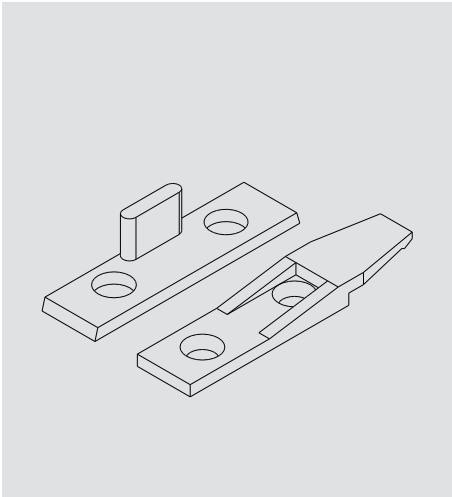
Bumpers	
Bumpers100	(100 count)
Bumpers_Box	(5,000 count)

3/4" Thick Shelf Clips



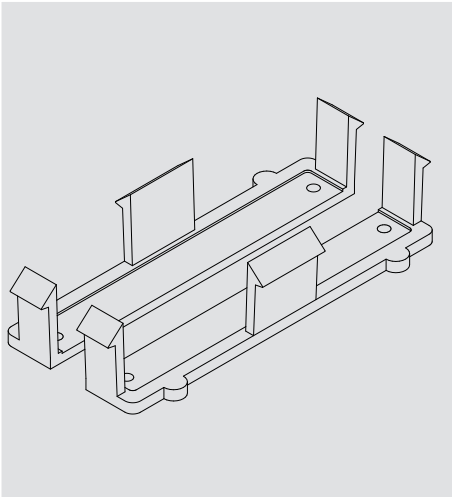
Shelf Clips	
SHELFCLIPS25_75	(25 count)
SHELFCLIPS100_75	(100 count)

Keku Clips



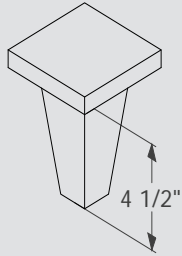
Wall Hung Cabinet Parts 8 piece for male and female	
KEKU_CLIP_SET_4	

False Front Clips



False Front Clips	
4.5_FALSEFRONT_CLIP	(1 pair)

## Square Tapered Leg



NEW

### Square Tapered Leg

- |        |           |
|--------|-----------|
| STLEG1 | (1 Count) |
| STLEG4 | (4 Count) |
| STLEG6 | (6 Count) |

## Square Post Leg



NEW

### Square Post Leg

SQPOST3.5X3.5X35.5



# Troubleshooting Guide



Some problems that may arise during installation can be remedied with the following troubleshooting table.

Problem	Cause	Solution
Doors on a double door cabinet do not line up	Hinges are in need of adjustment	Adjust hinges until cabinet doors line up properly. Consult <a href="http://www.smartcabinetry.com/hardware.php">www.smartcabinetry.com/hardware.php</a> for information regarding hardware adjustment.
	Cabinet is out of square	Loosen screws in back and use shims to make the cabinet plumb. Re-tighten screws. Overtightening screws will damage the cabinet backing. Slowly tighten until the head of the screw is flush with the back of the cabinet.
Door is not flush to the face frame	Hinges are in need of adjustment	Adjust hinges until cabinet doors line up properly. Consult <a href="http://www.smartcabinetry.com/hardware.php">www.smartcabinetry.com/hardware.php</a> for information regarding hardware adjustment.
	Hinge(s) are twisted or bent	Contact your dealer for support.
	Cabinet door is warped	Humidity levels can cause warping. Allow door to hang through one heating season. If it remains warped more than 1/4", call your dealer.
	Cabinet is out of square	Loosen screws in back and use shims to make the cabinet plumb. Re-tighten screws. Overtightening screws will damage the cabinet backing. Slowly tighten until the head of the screw is flush with the back of the cabinet.
Drawer is not flush to the face frame	Drawer glide is misaligned	Adjust drawer guide until drawer closes flush against frame. Consult <a href="http://www.smartcabinetry.com/hardware.php">www.smartcabinetry.com/hardware.php</a> for information regarding hardware adjustment.
	Cabinet is out of square	Loosen screws in back and use shims to make the cabinet plumb. Re-tighten screws. Overtightening screws will damage the cabinet backing. Slowly tighten until the head of the screw is flush with the back of the cabinet.
Cabinet shelf is sagging in the middle	Shelf peg is not properly inserted	Adjust pegs accordingly, insert on the back side of the middle wood frame section (center mullion). Use all shelf pegs in their proper positions.
Scratches, nicks, or dents	Damage occurred during installation	Contact your installer or dealer, touch up kits are available for order through your dealer.
	Damage occurred during shipping	See page 63, "What if my shipment is damaged?"

**IMPORTANT:** It is not advisable to install cabinets wider than 36 inches or deeper than 12 inches on a wall independently. If essential to ones kitchen, the installer of the kitchen must secure the cabinet to a permanent structure, i.e. interior wall.

**IMPORTANT:** Structural modification of a wall cabinet can significantly weaken the cabinet. For this reason modifications to Smart Cabinetry are not recommended, such as cutting the back to clear wall obstructions. If an obstruction exists, we suggest you first try to use cabinet(s) that do not require modifications. If modification is required, the warranty of the cabinet is void and it is the responsibility of the installer to take appropriate steps to compensate for any loss of strength or support due to the modification.

**Soffit exists:** Install permanently to a soffit by running four #10 lag bolts 3" in length through the top face frame into the "2x" structure (x4, x6, x8 or larger and a minimum) directly to the overhead structure or ceiling joist.

**Soffit doesn't exist:** The cabinets must attach to an adjoining cabinet which is affixed to wall or permanent interior structure. If it is at the end of a cabinet run install a tall end panel (TEP) and attach to its frame establishing a "permanent" fixture supporting the cabinet permanently attached to the TEP which is permanently attached to the floor.

Failure to follow these instructions will void all warranties. The result could be the cabinet falling off the wall which becomes a liability not warranted by Smart Cabinetry.

# Frequently Asked Questions



## When does my lead time begin?

Lead time begins after the 24 hour confirmation review and sign-off process.

## Can I get an estimate for my shipping costs?

Estimates are available on request. **Please contact Shipping Department for a quote.** Freight estimates are valid for thirty business days from date of email sent to customer . Freight estimates are calculated and quoted by the most economical mode of transport.

## How do I know when my cabinets will deliver?

For the actual date of delivery, please contact the shipping department 3-4 days prior to the projected ship week listed on your order confirmation.

## How many cabinets can ship on one truck load?

250-300 cabinets or 3,000 cubes are standard for one truckload. (Subject to change according to SKU sizes)

## What if my shipment is damaged?

Upon delivery notify the delivery driver of the damage and request that he/she make a note of the damage on the bill of lading. Sign the Bill of Lading, as proof of delivery; include identified damage noted on signed Bill of Lading. All damaged items need to be accepted by the customer. Do not reject damaged items.

Damage claims will need to be filed on Smart Claims Form prior to shipping replacements. To file a damage claim, please fill out claims, form in its entirety, then fax to Smart Cabinetry @ 1 866-836-5747. Include your order number, buyer's name, shipping address and a brief description of damage. Send pictures of damage along with the claims form. Upon receipt of the claim form, Smart Cabinetry will send a confirmation. Smart Cabinetry cannot be held responsible for any labor costs accrued during the installation of products sold via any of its channels of distribution due to claim. This includes, but is not limited to, items that may be flawed or have become damaged in transit.

Notes: This policy does not cover freight damages or shortages due to shipping of product. Customer must receive product in accordance with Smart Cabinetry shipping and receiving policy, and may be required to submit information verifying the claim. These policies are set by our freight carriers, so failure to comply will result in loss of compensation for the customer.

\*Production lead times are for standard new orders only. JCO and Claim orders are scheduled twice per week. JCO and Claim orders may close before 24 hour sign-offs to expedite production.

# Accessorial Charges



We receive many questions regarding accessorial services and charges. Accessorial charges are fees for performing services beyond normal pick up, transport, and delivery. Accessorial Fees and types of services provided are subject to change without notice. Fees are included in the freight quote when services requested are understood at time of order. For a complete list of accessorial charges, contact [logistics@smartcabinetry.com](mailto:logistics@smartcabinetry.com).

The origin, destination, zip codes, classification, shipping weight, and any additional services that may be required in transit, will determine actual charges. Rates and additional charges will be determined using our signed rules and accessorial charges in place at the time of pick up. If no signed rules and accessorial charges are in place at the time of pickup, rates will be subject to Smart Cabinetry's rules. Final rates will be calculated based on actual freight characteristics and will be invoiced if additional charges apply. Note: Accessorial Services carry a nominal charge as such it is our customer's responsibility to include the services necessary at time of order.

## Installation Tips

Do not store cabinets in a moist environment. Wood products, especially one piece cabinet doors, absorb excess moisture in the air and can expand. These minor changes in size due to improper storage are not covered by Smart Cabinetry's limited 5 year warranty. Store cabinets in a dry and conditioned environment.

Ensure the floor is level before starting any installation. It will be necessary to locate any uneven areas and shim or scribe cabinets in order to make the installation plumb, true and square.

Start with wall cabinets and begin in a corner. Measure from the corner to the first stud, and mark the measurement on the inside of the cabinet to be installed. Repeat this process for each and every stud. Drill a pilot hole through the back of the cabinet 3/4" down from the top and 3/4" up from the bottom. Fasten the cabinet to the wall with wood screws. Do not fully tighten the screws until all wall cabinets are in place.

Properly attach all wall cabinets to a soffit. Affix to a per-

manent structure by running lag bolts through the top face frame into the "2 x" structure directly overhead.

If soffit does not exist, the cabinets must be attached to an adjoining cabinet which is affixed to a permanent interior structure. For end of run cabinets, install a tall end panel and attach to its frame establishing a "permanent" fixture which supports the cabinet.

When installing a blind cabinet, make sure the cabinet is pulled out from the wall the appropriate distance as called for in your kitchen plan. See page 19 for guidelines about blind cabinet pull distances.

Adjust cabinet doors easily with a Phillips screwdriver. Rotate the micro screw nearest the door to adjust side to side. Loosen middle screw, align door, and tighten the screw to adjust the door's height. Finally, rotate the cam screw near the inside of the cabinet to adjust the depth of the door.

For a more in depth installation guide, visit our website: [smartcabinetry.com/cabinetinstallation.php](http://smartcabinetry.com/cabinetinstallation.php)

# Claims Instructions



## Damage and/or product shortage:

Claims are valid when proper documents and documentation submitted and signed by the customer and the transportation company. Documents include Smart Claims Form, Signed BOL, and photographs of damage.

## Missing Items Claim:

Must be made at time of delivery and documented on the bill of lading. Claims can then be made via fax to 1 866-836-5747. Include Smart Claims Form, a copy of the signed BOL (proof of delivery), and notation of missing item.

## Damage Claims:

Must be made within 24 HOURS OF PRODUCT DELIVERY and documented on the bill of lading (BOL) in addition to a properly filled out Smart Claims Form. **Claims must be submitted via fax to 1 866-836-5747.**

Pictures showing damage are required when submitting request for warranty / replacement of cabinets.

## Concealed Damage Claims:

Claims can be made up to 30 days after receipt of order. Signed BOL's (Proof of Delivery), Smart Claim Form and pictures are necessary to process ones claim. Concealed Damage Claims are defined as requests made greater than 24 hours after original delivery date. Items claimed as "damage" are documented claims made within 24 hours of receipt of goods. Concealed Damage Claims costs are shared "proportionately" between our organizations. Approved concealed damage claim value is no more or less than 50%. Concealed damages are a 50/50 split on replacement. Return Shipment is at customers expense.

## Disclaimer for Painted Wood



Painted finish Agreement (provided by dealer/distributor) to be signed by customer before finalizing any orders containing special finishes.

All wood products naturally expand and contract with changes in temperature and humidity. This natural movement may cause painted finishes to develop separation lines or breaks where any two pieces of wood join together. These breaks may become more noticeable as time passes. Like other finishes, paint is also susceptible to changes in color due to exposure to natural light, extreme heat, smoke, and abrasive cleaners. Areas with additional contact with water or fluids onto doors or drawer fronts could break-down the finish with overexposure.

Therefore, for the reasons stated above, the warranty of Smart Cabinetry's painted product (special finishes), STRUCTURALLY, is one year from date of purchase. However, there is no warranty and there is no implied period to warranty noticeable imperfections as discussed above.



separation of door corner



separatioin of door end



separation of frame joint

## Disclaimer for Thermofoil Doors

Thermofoil Doors (Brentwood, Northport, Denver) should note heat shields are required for installations next to heat sources; stoves, ovens, heaters, etc. Heat shields on page 62.

## Disclaimer for Maple and Oak Slab Doors

Slab Doors (Rockport, Freeport, Chateau, Edgewood, Nantucket) depending on the regional environmental climate change can decrease or increase in the dryness or humidity. This can cause doors to shrink or swell in size in a very short period of time. Cabinets should not be delivered and stored into areas of drywall mudding, painting, or open air environments. Smart Cabinetry is not responsible or liable for cabinet doors shrinking or swelling after shipping.



## LIMITED 5 YEAR WARRANTY

Five Year Limited Warranty on Cabinets, excluding special finishes. Smart LLC, d/b/a Smart Cabinetry warrants to original purchaser for a period of five years from the original date of purchase that all components of Smart Cabinetry shall be free from defects in material and workmanship under normal use. This warranty is only applicable to products used in standard North American residential applications and is not transferable.

Should defects in material or workmanship exist during the applicable warranty period in any Smart LLC product, Smart Cabinetry will elect at its discretion to either repair or replace the defective material or component free of charge. This warranty covers only parts and materials of the products supplied by Smart Cabinetry. Not covered under this warranty are counter tops, appliances, plumbing fixtures, etc. or the costs, including labor, to remove and reinstall materials and related components such as fittings, appliances, etc. This warranty shall become void if the cabinets are in any way modified, improperly installed or damaged prior to or during the installation. This limited warranty applies only in the case of the standard residential application in the United States, and is void for all other applications. Furthermore, this warranty will not apply to cabinets damaged by misuse, neglect, abuse, acts of God, exposure to extreme temperatures, the effects of normal wear and tear or exposure to moisture including, but not limited to, excessive or continued exposure to moisture as a result of leakage, improper plumbing, flooding, etc.

Hardwoods vary in color, characteristics, and may exhibit subtle changes as they age. Sunlight, smoke, household cleaners and other environmental conditions may also affect the color match over time. These variations are considered the nature of the material in relation to their environmental exposure and are not covered under this warranty.

Hardwoods will expand and contract physically when environmental changes occur in the normal setting of ones kitchen. Changes in temperature, humidity, or prolonged moisture will cause normal "movement" in hardwood products. Hairline cracks or "separation" may appear consequently becoming visible over joint areas. Painted face frames, doors and other painted products (doors) may develop joint separation and visible cracks. Visual variations such as these are considered normal and customary in our industry. Characteristics developing from the materials used constructing Smart Cabinetry relative to its environment is not covered under Smart LLC 5 year limited warranty.

Smart cabinetry's five year limited warranty shall become void from the improper use of household chemicals. Alkaline, acidic and ammonia based detergents and cleaners, as well as vinegar and strong solvent based cleaners, and excess water exposure severely affect the finish of a Smart cabinet. This also includes mineral spirits, paint thinner or any other harsh cleaning chemicals including citrus and citrus based cleaners or any abrasive cleaning products.

Smart cabinetry reserves the right to alter designs, specifications and materials, and will periodically do so, as conditions require and improvements are developed, without obligation to make similar changes to products previously manufactured. The repair(s) or replacement(s) are contingent upon the current product offerings of styles and construction options within the Smart Cabinetry Product Line at the time of the warranty claim. If a warranty claim is filed after a product has become obsolete, or has undergone design, specification or material changes, we reserve the right to honor the warranty in one



of the following manners:

1. To replace the affected component with a new component of the same style.
2. OR any affected component to achieve a uniform appearance with a comparable product style.

If components are replaced, Smart Cabinetry cannot guarantee the finish of these replacements will exactly match the finish and appearance of the components in the residential application due to the changes that occur during hardwoods natural aging process. Imperfections are part of its inherent natural beauty. Wood varies in color and characteristics that exhibit subtle changes as it ages. For example, white-painted face frames will eventually have visible seam lines at the joint areas, and individual cabinet wood species will darken or lighten with time. Imperfections are not the result of manufacturing ones cabinets, Smart Cabinetry's Limited 5 Year Warranty will not cover differences in color, grain and natural variations including but not limited to those "character" imperfections indigenous to the species of hardwoods used by Smart Cabinetry nor does it cover possible differences in color when adding new cabinetry to old.

Smart Cabinetry does not warrant the installation of "stand alone" or independent cabinets in widths greater than thirty-six inches and depths greater than 12" inches. All cabinets regardless of design dimension or shape must be affixed to "studs", permanently fastened to interior wall, floor or ceiling joists attached to permanent structures i.e. interior partition wall or floor. IMPORTANT: Structural modification of a wall cabinet can significantly weaken the cabinet. For this reason modifications are not recommended, if modification is required, the warranty of the cabinet is void and it is the responsibility of the installer to take appropriate steps to compensate for any loss of strength or support due to the modification.

\*\*\* SEE INSTALLATION INSTRUCTIONS

THIS WARRANTY IS THE EXCLUSIVE WARRANTY OF SMART CABINETS AND IS IN LIEU OF AND SMART CABINETS DISCLAIMS ALL OTHER WARRANTIES, EXPRESSED OR IMPLIED, INCLUDING THE IMPLIED WARRANTIES OF MERCHANTABILITY AND FITNESS FOR A PARTICULAR PURPOSE.

This warranty applies only to products manufactured or supplied by Smart Cabinetry. Any interpretation herein other than written is unwarranted.

This warranty applies only to products used in residential applications within the United States and is not transferable to subsequent owners. This warranty supersedes all previous warranties from date of issuance. This Warranty constitutes the exclusive remedy against Smart Cabinetry for alleged defects in materials and workmanship.

This warranty gives you specific legal rights and you may have other rights, which vary from state to state. Some states do not allow the exclusion or limitation of incidental or consequential damages, so the above limitations or exclusions may not apply to you.

To obtain replacement(s) under Smart Cabinetry's Five Year Limited warranty, first contact your authorized Smart Cabinetry dealer or distributor, who will arrange for inspection of the cabinet. A dated sales receipt as proof of purchase is required to obtain benefits from this warranty.

If you have difficulty obtaining assistance, please write: Smart Cabinetry, 70680 CR-23 New Paris, Indiana 46553.

Phone: (574) 831-5010 Fax: (574) 831-5018 or Email [customerservice@smartcabinets.com](mailto:customerservice@smartcabinets.com).











Smart Cabinetry®  
An **acpi** brand  
2019 Cabinet Specifications Guide



Proudly Made in America