

**IMPORTANT**  
Read Before Using

**IMPORTANT**  
Lire avant usage

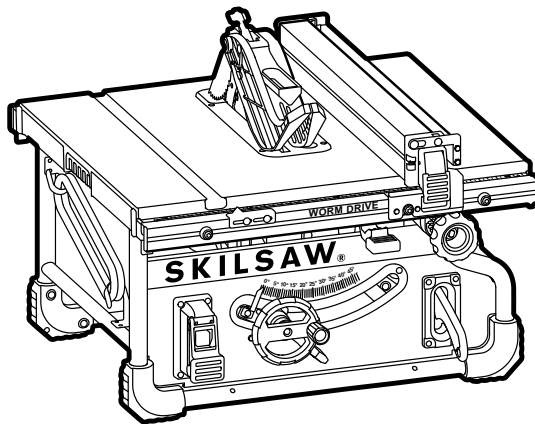
**IMPORTANTE**  
Leer antes de usar



**SPT99T**

**Operating / Safety Instructions**  
**Consignes d'utilisation/de sécurité**  
**Instrucciones de funcionamiento y seguridad**

**8-1/4" WORM DRIVE TABLE SAW**  
**SCIE À TABLE À ENTRAÎNEMENT PAR VIS SANS FIN DE 21 cm / 8-1/4 po**  
**SIERRA DE MESA DE TORNILLO SIN FIN DE 8-1/4 PULGADAS**



Call Toll Free for Consumer Information & Service Locations

Pour obtenir des informations et les adresses de nos centres de service après-vente, appelez ce numéro gratuit  
Llame gratis para obtener información para el consumidor y ubicaciones de servicio

**1-877-SKIL999 (1-877-754-5999) [www.skilsaw.com](http://www.skilsaw.com)**

For English Version  
See page 2

Version française  
Voir page 46

Versión en español  
Ver la página 100

## Table of Contents

	Page		Page
General Safety Rules . . . . .	3	Tools Needed for Assembly and Adjustment. . .	16
Safety Instructions for Table Saws. . . . .	4	Assembly. . . . .	17
Additional Safety Rules. . . . .	7	Storage, Transporting, and Mounting. . . . .	22
Motor Specifications and Electrical Requirements . . . . .	8	Adjustments . . . . .	24
Symbols . . . . .	9	Basic Table Saw Operation . . . . .	31
Glossary of Terms . . . . .	12	Maintaining Your Table Saw . . . . .	43
Getting to Know Your Table Saw. . . . .	13	Recommended Accessories . . . . .	45
Unpacking and Checking Contents . . . . .	15	Troubleshooting . . . . .	46

### **⚠ WARNING**

**Some dust created by power sanding, sawing, grinding, drilling, and other construction activities contains chemicals known to cause cancer, birth defects or other reproductive harm. Some examples of these chemicals are:**

- Lead from lead-based paints,
- Crystalline silica from bricks and cement and other masonry products, and
- Arsenic and chromium from chemically treated lumber.

Your risk from these exposures varies, depending on how often you do this type of work. To reduce your exposure to these chemicals: work in a well ventilated area, and work with approved safety equipment, such as those dust masks that are specially designed to filter out microscopic particles.

**Avoid prolonged contact with dust from power sanding, sawing, grinding, drilling, and other construction activities. Wear protective clothing and wash exposed areas with soap and water. Allowing dust to get into your mouth or eyes or to lie on the skin may promote absorption of harmful chemicals.**

# General Safety Rules



**Read all safety warnings, instructions, illustrations and specifications provided with this power tool.** Failure to follow all instructions listed below may result in electric shock, fire and/or serious injury.

## SAVE ALL WARNINGS AND INSTRUCTIONS FOR FUTURE REFERENCE

The term “power tool” in the warnings refers to your mains-operated (corded) power tool or battery-operated (cordless) power tool.

### WORK AREA SAFETY

**Keep work area clean and well lit.** Cluttered or dark areas invite accidents.

**Do not operate power tools in explosive atmospheres, such as in the presence of flammable liquids, gases or dust.** Power tools create sparks which may ignite the dust or fumes.

**Keep children and bystanders away while operating a power tool.** Distractions can cause you to lose control.

### ELECTRICAL SAFETY

**Power tool plugs must match the outlet. Never modify the plug in any way. Do not use any adapter plugs with earthed (grounded) power tools.** Unmodified plugs and matching outlets will reduce risk of electric shock.

**Avoid body contact with earthed or grounded surfaces, such as pipes, radiators, ranges and refrigerators.** There is an increased risk of electric shock if your body is earthed or grounded.

**Do not expose power tools to rain or wet conditions.** Water entering a power tool will increase the risk of electric shock.

**Do not abuse the cord. Never use the cord for carrying, pulling or unplugging the power tool. Keep cord away from heat, oil, sharp edges or moving parts.** Damaged or entangled cords increase the risk of electric shock.

**When operating a power tool outdoors, use an extension cord suitable for outdoor use.** Use of a cord suitable for outdoor use reduces the risk of electric shock.

**If operating a power tool in a damp location is unavoidable, use a Ground Fault Circuit Interrupter (GFCI) protected supply.** Use of an GFCI reduces the risk of electric shock.

### PERSONAL SAFETY

**Stay alert, watch what you are doing and use common sense when operating a power tool. Do not use a power tool while you are tired or**

**under the influence of drugs, alcohol or medication.** A moment of inattention while operating power tools may result in serious personal injury.

**Use personal protective equipment. Always wear eye protection.** Protective equipment such as dust mask, non-skid safety shoes, hard hat, or hearing protection used for appropriate conditions will reduce personal injuries.

**Prevent unintentional starting. Ensure the switch is in the off-position before connecting to power source and / or battery pack, picking up or carrying the tool.** Carrying power tools with your finger on the switch or energizing power tools that have the switch on invites accidents.

**Remove any adjusting key or wrench before turning the power tool on.** A wrench or a key left attached to a rotating part of the power tool may result in personal injury.

**Do not overreach. Keep proper footing and balance at all times.** This enables better control of the power tool in unexpected situations.

**Dress properly. Do not wear loose clothing or jewelry. Keep your hair, clothing and gloves away from moving parts.** Loose clothes, jewelry or long hair can be caught in moving parts.

**If devices are provided for the connection of dust extraction and collection facilities, ensure these are connected and properly used.** Use of dust collection can reduce dust-related hazards.

**Do not let familiarity gained from frequent use of tools allow you to become complacent and ignore tool safety principles.** A careless action can cause severe injury within a fraction of a second.

### POWER TOOL USE AND CARE

**Do not force the power tool. Use the correct power tool for your application.** The correct power tool will do the job better and safer at the rate for which it was designed.

**SAVE THESE INSTRUCTIONS**

## General Safety Rules

**Do not use the power tool if the switch does not turn it on and off.** Any power tool that cannot be controlled with the switch is dangerous and must be repaired.

**Disconnect the plug from the power source and/or remove the battery pack, if detachable, from the power tool before making any adjustments, changing accessories, or storing power tools.** Such preventive safety measures reduce the risk of starting the power tool accidentally.

**Store idle power tools out of the reach of children and do not allow persons unfamiliar with the power tool or these instructions to operate the power tool.** Power tools are dangerous in the hands of untrained users.

**Maintain power tools and accessories. Check for misalignment or binding of moving parts, breakage of parts and any other condition that may affect the power tool's operation. If damaged, have the power tool repaired before use.** Many accidents are caused by poorly maintained power tools.

**Keep cutting tools sharp and clean.** Properly maintained cutting tools with sharp cutting edges are less likely to bind and are easier to control.

**Use the power tool, accessories and tool bits etc. in accordance with these instructions, taking into account the working conditions and the work to be performed.** Use of the power tool for operations different from those intended could result in a hazardous situation.

**Keep handles and grasping surfaces dry, clean and free from oil and grease.** Slippery handles and grasping surfaces do not allow for safe handling and control of the tool in unexpected situations.

### SERVICE

**Have your power tool serviced by a qualified repair person using only identical replacement parts.** This will ensure that the safety of the power tool is maintained.

## Safety Instructions for Table Saws

### GUARDING RELATED WARNINGS

**Keep guards in place. Guards must be in working order and be properly mounted.** A guard that is loose, damaged, or is not functioning correctly must be repaired or replaced.

**Always use saw blade guard, riving knife and anti-kickback device for every through-cutting operation.** For through-cutting operations where the saw blade cuts completely through the thickness of the workpiece, the guard and other safety devices help reduce the risk of injury.

**Immediately reattach the guarding system after completing an operation (such as rabbeting, dadoing or resawing cuts) which requires removal of the guard, riving knife and/or anti-kickback device.** The guard, riving knife, and anti-kickback device help to reduce the risk of injury.

**Make sure the saw blade is not contacting the guard, riving knife or the workpiece before the switch is turned on.** Inadvertent contact of these items with the saw blade could cause a hazardous condition.

**Adjust the riving knife as described in this instruction manual.** Incorrect spacing, positioning and alignment can make the riving knife ineffective in reducing the likelihood of kickback.

**For the riving knife and anti-kickback device to work, they must be engaged in the workpiece.**

The riving knife and anti-kickback device are ineffective when cutting workpieces that are too short to be engaged with the riving knife and anti-kickback device. Under these conditions a kickback cannot be prevented by the riving knife and anti-kickback device.

**SAVE THESE INSTRUCTIONS**



## Safety Instructions for Table Saws

**Use the appropriate saw blade for the riving knife.** For the riving knife to function properly, the saw blade diameter must match the appropriate riving knife and the body of the saw blade must be thinner than the thickness of the riving knife and the cutting width of the saw blade must be wider than the thickness of the riving knife.

### CUTTING PROCEDURES WARNINGS

**⚠ DANGER** **Never place your fingers or hands in the vicinity or in line with the saw blade.** A moment of inattention or a slip could direct your hand towards the saw blade and result in serious personal injury.

**Feed the workpiece into the saw blade or cutter only against the direction of rotation.** Feeding the workpiece in the same direction that the saw blade is rotating above the table may result in the workpiece, and your hand, being pulled into the saw blade.

**Never use the mitre gauge to feed the workpiece when ripping and do not use the rip fence as a length stop when cross cutting with the miter gauge.** Guiding the workpiece with the rip fence and the miter gauge at the same time increases the likelihood of saw blade binding and kickback.

**When ripping, always apply the workpiece feeding force between the fence and the saw blade. Use a push stick when the distance between the fence and the saw blade is less than 150 mm, and use a push block when this distance is less than 50 mm.** “Work helping” devices will keep your hand at a safe distance from the saw blade.

**Use only the push stick provided by the manufacturer or constructed in accordance with the instructions.** This push stick provides sufficient distance of the hand from the saw blade.

**Never use a damaged or cut push stick.** A damaged push stick may break causing your hand to slip into the saw blade.

**Do not perform any operation “freehand.” Always use either the rip fence or the miter gauge to position and guide the workpiece.** “Freehand” means using your hands to support or guide the workpiece, in lieu of a rip fence or miter gauge. Freehand sawing leads to misalignment, binding and kickback.

**Never reach around or over a rotating saw blade.** Reaching for a workpiece may lead to accidental contact with the moving saw blade.

**Provide auxiliary workpiece support to the rear and/or sides of the saw table for long and/or wide workpieces to keep them level.** A long and/or wide workpiece has a tendency to pivot on the table’s edge, causing loss of control, saw blade binding and kickback.

**Feed the workpiece at an even pace. Do not bend or twist the workpiece. If jamming occurs, turn the tool off immediately, unplug the tool and clear the jam.** Jamming the saw blade by the workpiece can cause kickback or stall the motor.

**Do not remove pieces of cut-off material while the saw is running.** The material may become trapped between the fence or inside the saw blade guard and the saw blade pulling your fingers into the saw blade. Turn the saw off and wait until the saw blade stops before removing material.

**Use an auxiliary fence in contact with the table top when ripping workpieces less than 2 mm thick.** A thin workpiece may wedge under the rip fence and create a kickback.

### KICKBACK CAUSES AND RELATED WARNINGS

Kickback is a sudden reaction of the workpiece due to a pinched, jammed saw blade or misaligned line of cut in the workpiece with respect to the saw blade or when a part of the workpiece binds between the saw blade and the rip fence or other fixed object.

Most frequently during kickback, the workpiece is lifted from the table by the rear portion of the saw blade and is propelled towards the operator.

Kickback is the result of saw misuse and/or incorrect operating procedures or conditions and can be avoided by taking proper precautions as given below.

**Never stand directly in line with the saw blade. Always position your body on the same side of the saw blade as the fence.** Kickback may propel the workpiece at high velocity towards anyone standing in front and in line with the saw blade.

**SAVE THESE INSTRUCTIONS**

## Safety Instructions for Table Saws

**Never reach over or in back of the saw blade to pull or to support the workpiece.** Accidental contact with the saw blade may occur or kickback may drag your fingers into the saw blade.

**Never hold and press the workpiece that is being cut off against the rotating saw blade.** Pressing the workpiece being cut off against the saw blade will create a binding condition and kickback.

**Align the fence to be parallel with the saw blade.** A misaligned fence will pinch the workpiece against the saw blade and create kickback.

**Use a featherboard to guide the workpiece against the table and fence when making non-through cuts such as rabbeting, dadoing or resawing cuts.** A featherboard helps to control the workpiece in the event of a kickback.

**Use extra caution when making a cut into blind areas of assembled workpieces.** The protruding saw blade may cut objects that can cause kickback.

**Support large panels to minimize the risk of saw blade pinching and kickback.** Large panels tend to sag under their own weight. Support(s) must be placed under all portions of the panel overhanging the table top.

**Use extra caution when cutting a workpiece that is twisted, knotted, warped or does not have a straight edge to guide it with a miter gauge or along the fence.** A warped, knotted, or twisted workpiece is unstable and causes misalignment of the kerf with the saw blade, binding and kickback.

**Never cut more than one workpiece, stacked vertically or horizontally.** The saw blade could pick up one or more pieces and cause kickback.

**When restarting the saw with the saw blade in the workpiece, center the saw blade in the kerf so that the saw teeth are not engaged in the material.** If the saw blade binds, it may lift up the workpiece and cause kickback when the saw is restarted.

**Keep saw blades clean, sharp, and with sufficient set. Never use warped saw blades or saw blades with cracked or broken teeth.** Sharp and properly set saw blades minimize binding, stalling and kickback.

### TABLE SAW OPERATING PROCEDURE WARNINGS

**Turn off the table saw and disconnect the power cord when removing the table insert, changing the saw blade or making adjustments to the riving knife, antikickback device or saw blade guard, and when the machine is left unattended.** Precautionary measures will avoid accidents.

**Never leave the table saw running unattended. Turn it off and don't leave the tool until it comes to a complete stop.** An unattended running saw is an uncontrolled hazard.

**Locate the table saw in a well-lit and level area where you can maintain good footing and balance. It should be installed in an area that provides enough room to easily handle the size of your workpiece.** Cramped, dark areas, and uneven slippery floors invite accidents.

**Frequently clean and remove sawdust from under the saw table and/or the dust collection device.** Accumulated sawdust is combustible and may self-ignite.

**The table saw must be secured.** A table saw that is not properly secured may move or tip over.

**Remove tools, wood scraps, etc. from the table before the table saw is turned on.** Distraction or a potential jam can be dangerous.

**Always use saw blades with correct size and shape (diamond versus round) of arbor holes.** Saw blades that do not match the mounting hardware of the saw will run off-center, causing loss of control.

**Never use damaged or incorrect saw blade mounting means such as flanges, saw blade washers, bolts or nuts.** These mounting means were specially designed for your saw for safe operation and optimum performance.

**Never stand on the table saw; do not use it as a stepping stool.** Serious injury could occur if the tool is tipped or if the cutting tool is accidentally contacted.

**Make sure that the saw blade is installed to rotate in the proper direction. Do not use grinding wheels, wire brushes, or abrasive wheels on a table saw.** Improper saw blade installation or use of accessories not recommended may cause serious injury.

**SAVE THESE INSTRUCTIONS**

## Additional Safety Rules

**MAKE WORKSHOP CHILD-PROOF** with padlocks, master switches.

**Use only recommended accessories.** Use only accessories recommended by the manufacturer of your model. Other accessories may be hazardous.

**Do not use any blade or other cutting tool marked for an operating speed less than 5300 R.P.M.** Risk of serious injury.

**Ensure that blade or other cutting tool, washers and arbor nut are installed properly.** Reference instructions for removal and installation of the blade.

**Never operate the saw unless the proper insert is installed.** Make sure the table insert is flush or slightly below the table surface at the front and flush to slightly above at the rear of insert.

**Always inspect table saw prior to every use.** If any part of your saw is missing, malfunctioning, or has been damaged or broken (such as the motor switch or other operating control, a safety device, or the power cord), cease operation immediately until the particular part is properly repaired or replaced.

**Plastic and composition (like hardboard) materials may be cut on your saw. However, since these are usually quite hard and slippery, the anti-kickback pawls may not stop a kickback.** Therefore, be especially attentive to following proper set-up and cutting procedures for ripping. Do not stand, or permit anyone else to stand, in line with a potential kickback.

**Use extra caution when the guard assembly is removed for resawing, dadoing, rabbeting or molding.** Replace the guard as soon as that operation is completed.

**Use auxiliary facing on miter gauge to increase stability and control.** Crosscutting operations are more conveniently worked and with greater safety if an auxiliary wood facing board is attached to the miter gauge. See "Rip Fence Auxiliary Facing."

**Avoid awkward operations and hand positions.** Where a sudden slip could cause fingers or hand to move into the sawblade or other cutting tool.

**If you stall or jam the sawblade in the workpiece, turn saw "OFF" and unplug the tool, remove the workpiece from the sawblade, and check to see if the sawblade is parallel to the table slots or grooves and if the spreader is in proper alignment with the sawblade.** If ripping at the time, check to see if the rip fence is parallel with the sawblade. Readjust as indicated.

**THINK SAFETY:** Safety is a combination of operator common sense and alertness at all times when the table saw is being used.

**⚠ WARNING** The operation of any power tool can result in foreign objects being thrown into the eyes, which can result in severe eye damage. Always wear safety goggles that comply with ANSI Z87.1 (shown on package) before commencing power tool operation.



**Before each use, review all warnings located on the table saw.**

**SAVE THESE INSTRUCTIONS**

# Motor Specifications & Electrical Requirements

## Motor Specifications

In the event of a malfunction or breakdown, grounding provides a path of least resistance for electric current to reduce the risk of electric shock. This tool is equipped with an electric cord having an equipment-grounding conductor and a grounding plug. The plug must be plugged into a matching outlet that is properly installed and grounded in accordance with all local codes and ordinances. This saw is wired for operation on 120 volts, 60 Hz. alternating current. Before connecting the motor cord to a power source, make certain that the switch is in the "OFF" position and be sure that the electric current is of the same characteristics as that stamped on the table saw nameplate.

## Connection To A Power Source

This machine must be grounded while in use to protect the operator from electric shock.

Plug the power cord into a 120V properly grounded type outlet protected by a 15-amp dual-element time-delay fuse or circuit breaker.

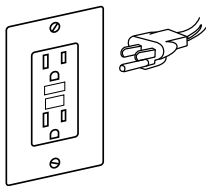
Not all outlets are properly grounded. If you are not sure that your outlet, as pictured on this page, is properly grounded; have it checked by a qualified electrician.

**⚠ WARNING** To avoid electric shock, do not touch the metal prongs on the plug when installing or removing the plug to or from the outlet.

**⚠ WARNING** Failure to properly ground this power tool can cause electrocution or serious shock, particularly when used near metal plumbing or other metal objects. If shocked, your reaction could cause your hands to hit the tool.

**⚠ WARNING** If power cord is worn, cut or damaged in any way, have it replaced immediately to avoid shock or fire hazard.

Your unit is for use on 120 volts and is equipped with a 3-conductor cord and grounding type plug, approved by Underwriters Laboratories and the Canadian Standards Association.



The ground conductor has a green jacket and is attached to the tool housing at one end and to the ground prong in the attachment plug at the other end.

If the outlet you are planning to use for this power tool is of the two-prong type, DO NOT REMOVE OR ALTER THE GROUNDING PRONG IN ANY MANNER. Have a qualified electrician replace the TWO-prong outlet with a properly grounded THREE-prong outlet. Do not use any adapter plugs.

Improper connection of the equipment-grounding conductor can result in a risk of electric shock. The conductor with insulation having an outer surface that is green with or without yellow stripes is the equipment grounding conductor. If repair or replacement of the electric cord or plug is necessary, do not connect the equipment grounding conductor to a live terminal.

Check with a qualified electrician or service personnel if the grounding instructions are not completely understood, or if in doubt as to whether the tool is properly grounded.

## Extension Cords

**⚠ WARNING** Replace damaged cords immediately. Use of damaged cords can shock, burn or electrocute.

**⚠ WARNING** Always use proper extension cords. Use only 3-wire extension cords which have 3-prong grounding type plugs and 3-pole receptacles which accept the tool's plug. If an extension cord is necessary, a cord with adequate size conductors should be used to prevent excessive voltage drop, loss of power or overheating. The table shows the correct size to use, depending on cord length and nameplate amperage rating of the tool. If in doubt, use the next heavier gauge. Always use U.L. and CSA listed extension cords.

## RECOMMENDED SIZES OF EXTENSION CORDS 120 VOLT ALTERNATING CURRENT TOOLS

Tool's Ampere Rating	Cord Size in A.W.G.				Wire Sizes in mm <sup>2</sup>			
	Cord Length in Feet				Cord Length in Meters			
	25	50	100	150	15	30	60	120
3-6	18	16	16	14	0.75	0.75	1.5	2.5
6-8	18	16	14	12	0.75	1.0	2.5	4.0
8-10	18	16	14	12	0.75	1.0	2.5	4.0
10-12	16	16	14	12	1.0	2.5	4.0	–
12-16	14	12	–	–	–	–	–	–





**NOTE:** The smaller the gauge number, the heavier the cord.

# Symbols

## Safety Symbols

The purpose of safety symbols is to attract your attention to possible dangers. The safety symbols and the explanations with them deserve your careful attention and understanding. The symbol warnings do not, by themselves, eliminate any danger. The instructions and warnings they give are no substitutes for proper accident prevention measures.

**⚠️ WARNING** Be sure to read and understand all safety instructions in this Owner's Manual, including all safety alert symbols such as "DANGER," "WARNING," and "CAUTION" before using this tool. Failure to following all instructions listed below may result in electric shock, fire, and/or serious personal injury.

The definitions below describe the level of severity for each signal word. Please read the manual and pay attention to these symbols.	
	This is the safety alert symbol. It is used to alert you to potential personal injury hazards. Obey all safety messages that follow this symbol to avoid possible injury or death.
	DANGER indicates a hazardous situation which, if not avoided, will result in death or serious injury.
	WARNING indicates a hazardous situation which, if not avoided, could result in death or serious injury.
	CAUTION, used with the safety alert symbol, indicates a hazardous situation which, if not avoided, will result in minor or moderate injury.

## Damage Prevention and Information Messages

These inform the user of important information and/or instructions that could lead to equipment or other property damage if they are not followed. Each message is preceded by the word "NOTICE", as in the example below:





**NOTICE:** Equipment and/or property damage may result if these instructions are not followed.



**⚠️ WARNING** The operation of any power tools can result in foreign objects being thrown into your eyes, which can result in severe eye damage. Before beginning power tool operation, always wear safety goggles or safety glasses with side shields and a full face shield when needed. We recommend a Wide Vision Safety Mask for use over eyeglasses or standard safety glasses with side shields. Always use eye protection which is marked to comply with ANSI Z87.1.








## Symbols

**IMPORTANT:** Some of the following symbols may be used on your tool. Please study them and learn their meaning. Proper interpretation of these symbols will allow you to operate the tool better and more safely.

Symbol	Name	Designation/Explanation
V	Volts	Voltage (potential)
A	Amperes	Current
Hz	Hertz	Frequency (cycles per second)
W	Watt	Power
kg	Kilograms	Weight
min	Minutes	Time
s	Seconds	Time
Wh	Watt-hours	Battery capacity
Ah	Ampere-hours	Battery capacity
∅	Diameter	Size of drill bits, grinding wheels, etc.
$n_0$	No load speed	Rotational speed, at no load
n	Rated speed	Maximum attainable speed
.../min	Revolutions or reciprocation per minute	Revolutions, strokes, surface speed, orbits, etc. per minute
0	Off position	Zero speed, zero torque...
➔	Arrow	Action in the direction of arrow
~	Alternating current	Type or a characteristic of current
— — —	Direct current	Type or a characteristic of current
	Read manual symbol	Alerts user to read manual
	Wear eye protection symbol	Always wear safety goggles or safety glasses with side shields and a full face shield when operating this product.
	Wear a mask	Recommendation for the operator to wear dust mask.
	Wear ear protection	Recommendation for the operator to wear hearing protection.

## Symbols (Certification Information)

**IMPORTANT:** Some of the following symbols for certification information may be used on your tool. Please study them and learn their meaning. Proper interpretation of these symbols will allow you to operate the tool better and more safely.

Symbol	Designation/Explanation
	This symbol designates that this tool is listed by Underwriters Laboratories.
	This symbol designates that this tool is recognized by Underwriters Laboratories.
	This symbol designates that this tool is listed by Underwriters Laboratories, to United States and Canadian Standards.
	This symbol designates that this tool is listed by the Canadian Standards Association.
	This symbol designates that this tool is listed by the Canadian Standards Association, to United States and Canadian Standards.
	This symbol designates that this tool is listed by the Intertek Testing Services, to United States and Canadian Standards.
	This symbol designates that this tool complies to NOM Mexican Standards.

## Glossary of Terms

**ANTI-KICKBACK PAWLS:** Spring-loaded “fin-gers” that engage the work piece as it is being fed through the saw. They restrict movement of the work piece back in the direction of the operator.

**ARBOR:** The shaft on which a cutting tool is mounted.

**BARRIER GUARD:** An assembly that consists of the mounting fork and two side barriers. This assembly is intended to provide a physical barrier between the operator and the spinning saw blade.

**BEVEL:** Blade angle relative to the table surface.

**CROSSCUT:** A cutting or shaping operation made across the width of the workpiece, cutting the workpiece to length.

**DADO:** A non-through cut that produces a square-sided notch or trough in the workpiece.

**FEATHERBOARD:** A device that can help guide workpieces during rip type operation by keeping the workpiece in contact with the rip fence. It also helps prevent kickback.

**FREEHAND:** Performing a cut without a fence, miter gauge, fixture, hold down or other proper device to keep the workpiece from twisting during the cut and can be a safety hazard.

**GUM:** A sticky, sap-based residue from wood products. After it has hardened, it is referred to as “RESIN.”

**HEEL:** Misalignment of the blade that causes the trailing or outfeed side of the blade to contact the cut surface of the workpiece. Heel can cause kickback, binding, excessive force, burning of the workpiece or splintering. In general, heel creates a poor quality cut and can be a safety hazard.

**KERF:** The space in the workpiece where the material was removed by the blade.

**KICKBACK:** An uncontrolled grabbing and throwing of the workpiece back toward the front of the saw during a ripping-type operation.

**LEADING END:** The end of the workpiece which, during a ripping-type operation, is pushed into the cutting tool first.

**MOLDING:** A non-through cut which produces a special shape in the workpiece; used for joining or decoration.

**NON THROUGH SAWING:** Any cutting operation where the blade does not extend through the workpiece (e.g. Dado, Rabbet).

**PARALLEL:** Position of the rip fence equal in distance at every point to the side face of the saw blade.

**PERPENDICULAR:** 90° (right angle) intersection or position of the vertical and horizontal planes such as the position of the saw blade (vertical) to the table surface (horizontal).

**PUSH BLOCK:** A device used for ripping-type operations that is too narrow to allow use of a Push Stick. Use a Push Block for rip widths less than 2 inches.

**PUSH STICK:** A device used to feed the workpiece through the saw during narrow ripping-type operations that helps keep the operator’s hands well away from the blade. Use the Push Stick for rip widths less than 6 inches and more than 2 inches.

**RABBET:** A notch in the edge of a workpiece. Also called an edge dado.

**REVOLUTIONS PER MINUTE (R.P.M.):** The number of turns completed by a spinning object in one minute.

**RIPPING:** A cutting operation along the length of the workpiece cutting the workpiece to width.

**RIVING KNIFE OR SPREADER:** A device that keeps the kerf of the work piece open as the material is cut. This minimizes the potential of the work piece binding against the saw blade.

**SMART GUARD:** A system made up of 3 components: Riving Knife / Splitter, Anti-Kickback Pawls, and Main Barrier Guard.

**THROUGH SAWING:** Any cutting operation where the blade extends through the workpiece.

**WORKPIECE:** The item on which the cutting operation is being performed. The surfaces of a workpiece are commonly referred to as faces, ends and edges.



# Getting To Know Your Table Saw

## 1. POWER SWITCH

Switch incorporates a hole for use with a padlock to prevent accidental starting.

## 2. ELEVATION WHEEL

Elevates or lowers the blade. Also used to tilt the blade 0 to 45 degrees. The cutting capacity at 0 degrees is 2-5/8 inches (68mm). The cutting capacity at 45 degrees is 1-7/8 inches (48mm).

## 3. BLADE BEVEL LOCK HANDLE

Locks the blade to desired bevel angle.

## 4. BLADE BEVEL SCALE

Shows the degree to which the blade is tilted. Total range of the bevel is -1 to 46.5 degrees.

## 5. BASE

Supports the table saw. Holes are provided in base to bolt the saw to a workbench or stand. Includes integrated carry handle.

## 6. PUSH STICK & STORAGE

Allows you to rip smaller pieces of stock with a greater level of safety.

## 7. RAIL LOCK HANDLE

Allows you to lock the fence at desired distances.

## 8. WORK SUPPORT/AUXILIARY FENCE

Provides support for wider workpieces when extending the fence beyond the table.

## 9. RIP FENCE

Provides an auxiliary support (in the lower position) and over-the-table support (upper position). Securely attaches to rails in 3 positions with locking latches on both ends.

## 10. RIP FENCE SCALE

Shows the distance from the blade to the rip fence . 25 inches to right.

## 11. SMART GUARD SYSTEM

Consists of three key elements: Riving Knife (Splitter), Anti-Kickback Device, and Barrier Guard Device. All of these are part of a modular system that requires no tools to assemble or disassemble. This Guard System must always be in place and working properly for all through sawing cuts.

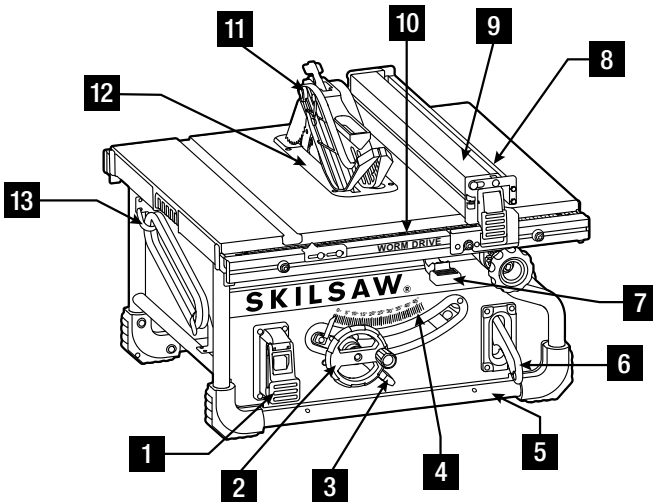
## 12. TABLE INSERT

Removable for removing or installing a blade or other cutting tools.

## 13. CORD WRAP

Allows you to easily secure the cord so it's out of the way when transporting or storing.

FIG. 1



## Getting To Know Your Table Saw

### 14. TABLE

Provides large working surface to support the workpiece.

### 15. MITER GAUGE

Head can be locked in the desired position for crosscutting or mitering by tightening the lock knob. ALWAYS SECURELY LOCK IT WHEN IN USE.

### 16. ANTI-KICKBACK DEVICE STORAGE

Storage location for the anti-kickback device when not in use, or when transporting or storing the table saw.

### 17. RIP FENCE STORAGE

Storage location for the rip fence when transporting or storing the table saw.

### 18. MITER GAUGE STORAGE

Storage location for the miter gauge when not in use, or when transporting or storing the table saw.

### 19. HEX WRENCH & STORAGE

Hex wrench for adjusting the riving knife/splitter and various hex heads on the saw.

### 20. WRENCH & STORAGE

Wrench for the removal and installation of saw blades.

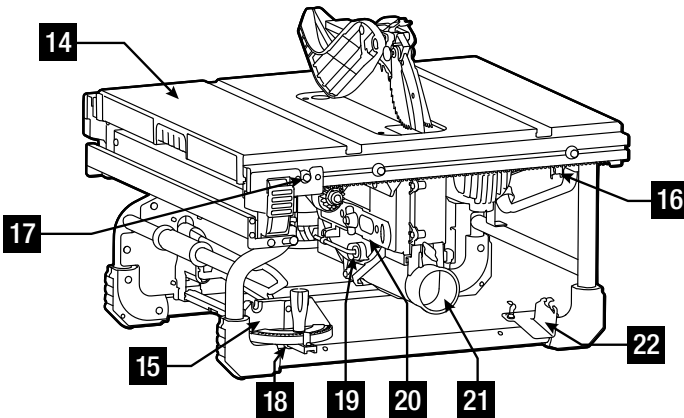
### 21. DUST PORT/VACUUM HOOK-UP

Removable to clear any large pieces of wood trapped inside. Always check to ensure dust port is securely fastened to the table saw before use. Attach a 2-1/4" vacuum hose into the dust port for convenient sawdust removal.

### 22. SMART GUARD SYSTEM STORAGE

Storage location for the Smart Guard System when not in use, or when transporting or storing the table saw.

FIG. 2



### SPECIFICATION

Voltage Rating	120V AC 60Hz
Tool Current Rating	15 A
Blade Diameter	8-1/4"
Arbor Size	5/8" (15.88 mm)
No Load Speed	5300 /min
Bevel Capacity	-1° to 46.5° Bevel, with stops at 0° and 45°
Depth of Cut (in.) at 90°	2-5/8 inches (68 mm minimum)
Depth of Cut (in.) at 45°	1-7/8 inches (48 mm)
Rip Capacity on the Right Side of the Blade	25 inches
Rip Capacity on the Left Side of the Blade	12 inches
Cord Length	6ft (1.8m)

## Unpacking And Checking Contents

**⚠ WARNING** To avoid injury from unexpected starting or electrical shock during unpacking and setting up, do not plug the power cord into a source of power. This cord must remain unplugged whenever you are assembling or making adjustments to the table saw.

Separate all parts from the packing materials and check each one with the illustration and the list of Loose Parts to make certain that all items are accounted for before discarding any packing material (Fig. 3).

**⚠ WARNING** If any parts are missing, do not attempt to assemble the table saw, plug in the power cord or turn the switch on until the missing parts are obtained and are installed correctly.

TABLE OF LOOSE PARTS		
ITEM	DESCRIPTION	QTY.
1	Table Saw	1
2	Table Insert	1
3	Barrier Guard Assembly	1
4	Anti-Kickback Device	1
5	Miter Gauge	1
6	Push Stick	1
7	Manual	1

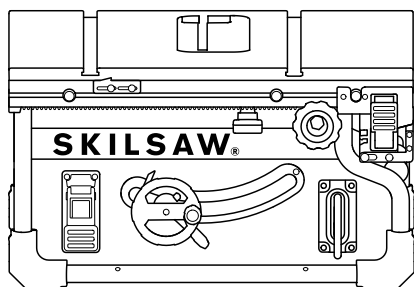


FIG. 3

### REMOVE CABLE TIE AND STYROFOAM BLOCK

(Used for shipping purpose only)

With the table surface on the ground, locate the cable tie that anchors the motor/blade assembly to the base. Using scissors or wire cutters, cut and remove the cable tie (Fig. 4).

Release the blade tilt lock handle, tilt the blade to 45 degrees, then remove styrofoam block located between the motor housing and the table.

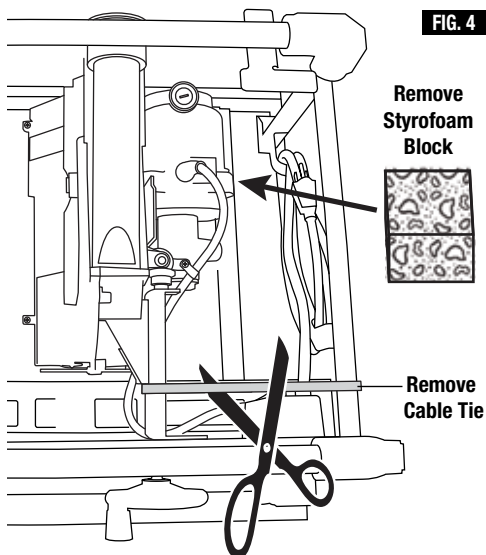


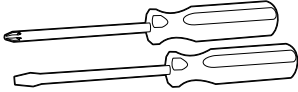
FIG. 4

## Tools Needed for Assembly and Adjustment



**WARNING** Disconnect the plug from the power source before performing any assembly, adjustment or repair to avoid possible injury.

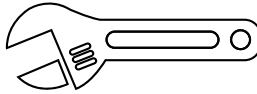
Phillips & Flat Head  
Screwdriver



Blade Wrench  
(supplied)



Adjustable Wrench or  
1/2 inch Wrench and  
11/16 inch Wrench



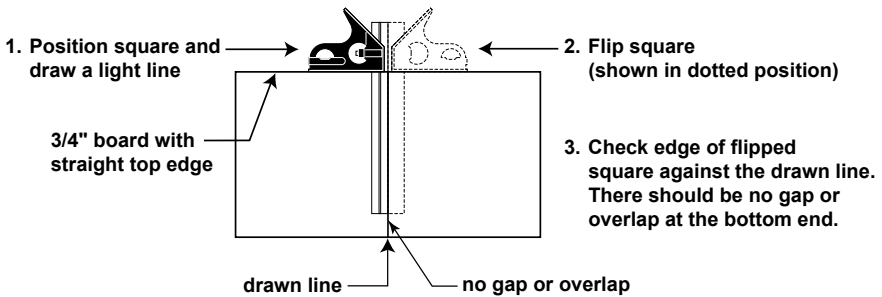
5 MM Hex "L" Wrench  
(supplied)



Combination Square



### COMBINATION SQUARE MUST BE TRUE



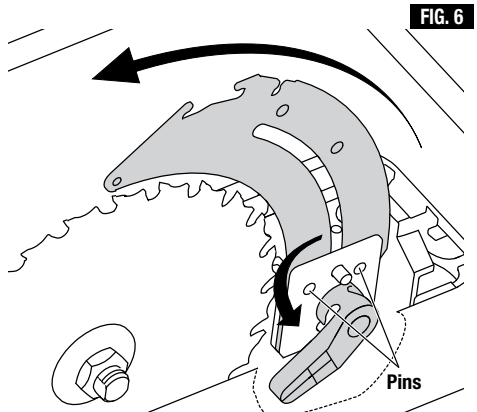
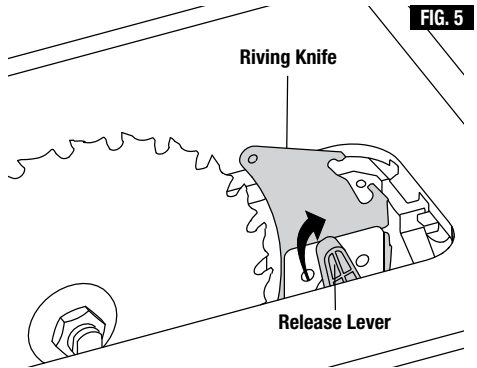
## Assembly

### ATTACHING THE SMART GUARD SYSTEM

**⚠ WARNING** To prevent personal injury, always disconnect the plug from the power source before attaching or removing the Smart Guard System.

#### POSITIONING THE RIVING KNIFE

1. Remove the table insert using finger hole.
2. Raise the blade as high as it will go and set it perpendicular to table ( $0^\circ$  on bevel scale) (Fig. 5).
3. Rotate the riving knife release lever clockwise, so that it points upward (Fig. 5).
4. Pull the riving knife toward the release lever to disengage it from the pins.
5. Slide the riving knife up to its highest position, so that it is directly over the center of the blade (Fig. 6).
6. Align the holes in riving knife with the pins and lock the release lever by rotating it counterclockwise. Push/pull on the riving knife to verify that it is locked in place (Fig. 6).
7. Replace the table insert.



## Assembly

### ATTACHING THE GUARD ASSEMBLY

1. With one hand, hold the front of the barrier guard assembly by the "fork." With the other hand, hold the guard release lever up (Fig. 7).
2. Lower the rear of guard assembly and slip the cross bar into the rear notch on top of the riving knife (Fig. 7).
3. Lower the front of the guard assembly until the "fork" is parallel with the table (Fig. 8).
4. Press down on the guard release lever until you feel and hear it snap into the locking position. Check that the guard assembly is securely connected (Fig. 8).

FIG. 7

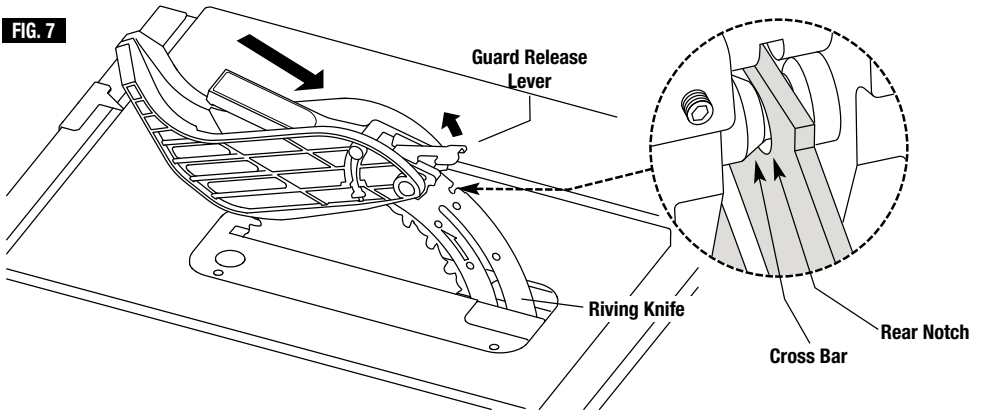
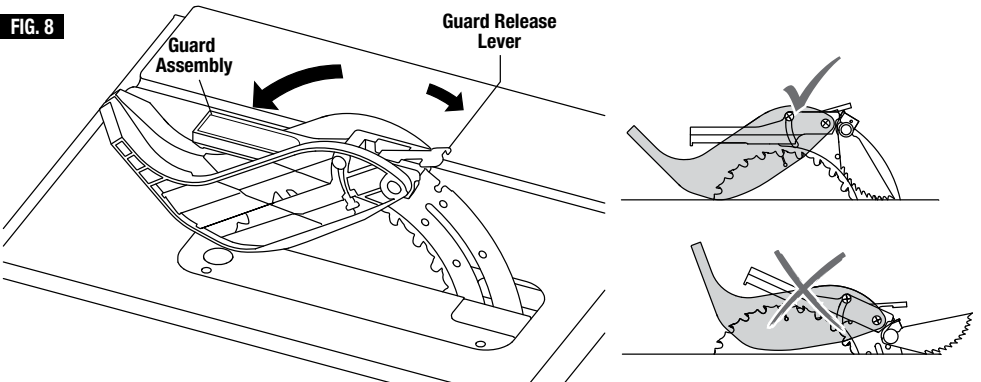


FIG. 8



# Assembly

## INSTALLING ANTI-KICKBACK PAWLS

**⚠ WARNING** Always install the anti-kickback pawls onto the riving knife with guard when performing "through cutting" operations. Replace dull or damaged anti-kickback pawls. Dull or damaged pawls may not stop a kickback increasing the risk of serious personal injury.

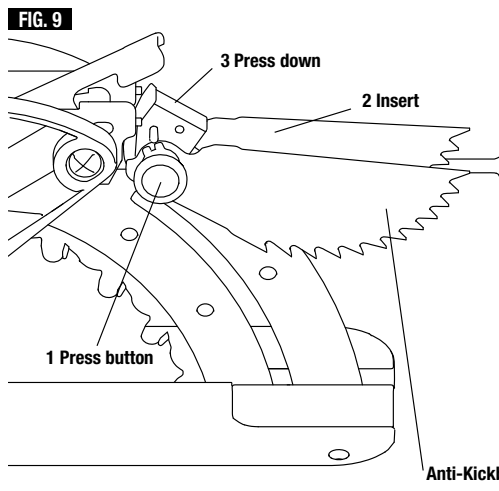
Anti-kickback pawls should only be installed for through cuts.

1. Turn off the table saw and disconnect the power cord.
2. Raise the blade by turning the height adjusting wheel clockwise.
3. Install the riving knife with guard.
4. Press in the pawl release button and insert the slot in the pawl joint into the riving knife notch. Press down on the joint (Fig. 9).

**NOTE:** It may be easier to install the pawls from the front of the saw.

5. Gently tug on the pawl joint to ensure it is locked into place. Ensure the pawls move freely and are not engaged in the throat plate slot.

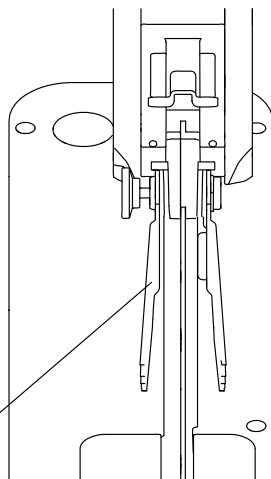
**NOTE:** The two attachments are independent of each other, so the Anti-Kickback Device can be attached before the Guard Assembly.



## BARRIER VERIFICATION

Verify that the guard barriers are functioning properly throughout the full range of motion: bevel and blade height:

1. With the Smart Guard System assembled, set the blade to the maximum height.
2. Raise both barriers (left and right) until they both lock in their raised positions.
3. Apply a downward force to release the barriers from their locked position: both barriers should be in contact with the table.
4. Bevel the tool from 0° to 45° and then back to 0°. The barriers should remain in contact with the table top and should not contact the blade throughout the complete motion.
5. Lower the blade to the lowest cutting height: both barriers should be in contact with the table.
6. Repeat Step 4 with blade in lowest cutting height position.
7. If barriers do not remain in contact with tabletop or if they contact the blade at any time, do not use the saw. See the assembly section to make sure that the blade guard is assembled properly or have the saw serviced by an authorized service center.



# Assembly

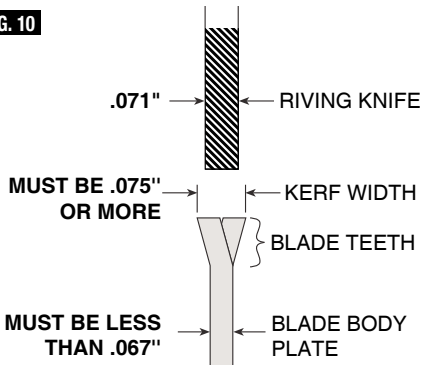
## REMOVAL AND INSTALLATION OF THE BLADE

**⚠ WARNING** Disconnect the plug from the power source before performing any assembly, adjustment or repair to avoid possible injury.

### USING THE CORRECT BLADE

**IMPORTANT:** The saw blade provided on this tool has a diameter of 8-1/4 inches, a carbide-tipped kerf width of 0.079" (SKILSAW blade) / 0.094" (Diablo blade) and a plate (body) thickness that is 0.055" (SKILSAW blade) / 0.063" (Diablo blade) thick. When looking for a replacement blade, select one with dimensions close to the original blade. This information may not be printed on the blade's packaging. If it is not, check the manufacturers catalog or website. SKILSAW offers Premium-Quality Professional saw blades that match the requirements for this tool. You must select a blade with a kerf width of .075" or more and a plate (body) thickness .067" or less (Fig. 10).

FIG. 10



**⚠ WARNING** To reduce the risk of injury, do not use extra thin kerf saw blades. The kerf of the blade must be wider than .075\". Extra thin kerf saw blades (less than .075\") may cause the work piece to bind against the riving knife / splitter during cutting. It is recommended that the kerf of the replacement blade used on this saw be .075\" or more.

**⚠ WARNING** To reduce the risk of injury, do not use saw blades made with a thick body plate. If the replacement saw blade's plate thickness is greater than .067\", the riving knife / splitter would not properly serve as an aid to reduce kickback. The replacement blade's plate thickness must be less than .067\".

**⚠ WARNING** To reduce the risk of injury, do not use blade "dampers," "stabilizers," or "stiffening collars" on both sides of a replacement blade. These are metal plates positioned against the sides of the blade to reduce deflection that may occur when using thin saw blades. Use of these devices on both sides will prevent the blade from being properly aligned with the riving knife / splitter, which may bind the work piece during cutting. One "stabilizer" plate may be placed only against the outside of a thin replacement blade. These plates are not required with the supplied blade.

### CHANGING THE BLADE

**NOTE:** Clean blade of any excess oil before installation.

1. Remove the table insert (Fig. 11).
2. Raise the blade to the maximum height by turning the control wheel clockwise (Fig. 11).
3. Lift up arbor lock lever and slowly rotate the blade by hand until the lock fully engages the saw arbor and stops rotation (Fig. 12).

FIG. 11

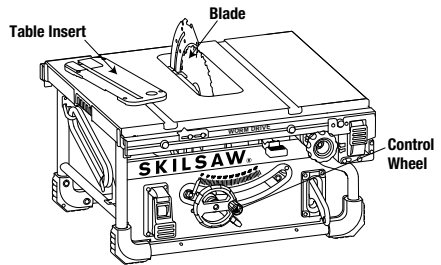
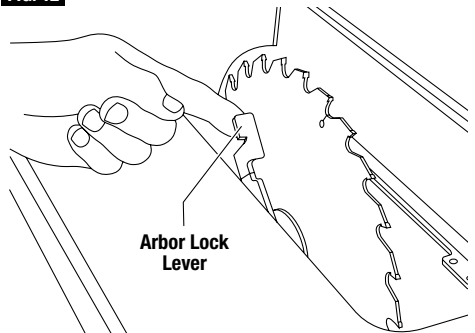


FIG. 12





## Assembly

4. While engaging the arbor lock lever, loosen arbor nut counter clockwise (to the front of the the saw table) with the wrench provided (Fig. 13).
5. Remove the arbor nut and outer washer.
6. Clean any sawdust from both blade washers before installing the blade. Install a 8-1/4" (210mm) blade onto the arbor with the blade teeth pointing toward the front of the saw.

**NOTE:** The printing on different saw blades is not always on the same side.

To avoid injury, do not use a blade larger or smaller than 8-1/4" diameter and 5/8" arbor.

7. Install the flange against the blade and thread the arbor nut as far as possible by hand. Ensure that the blade is flush against the inner blade flange (Fig. 14).
8. While lifting up arbor lock lever securely, tighten the arbor nut clockwise (to the rear of the saw table) with the wrench (Fig. 13).
9. Position the table insert in the pocket of table so that the tabs on the table insert are in the slots in the pocket of the table; push down on the table insert and secure it in place.

To avoid injury from a thrown workpiece, blade contact, never operate the saw without the proper insert in place. Use the table insert when sawing. Use the dado insert when using a dado blade.

### USING CARBIDE-TIPPED BLADES

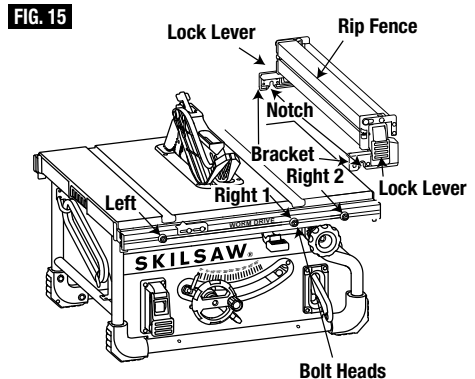
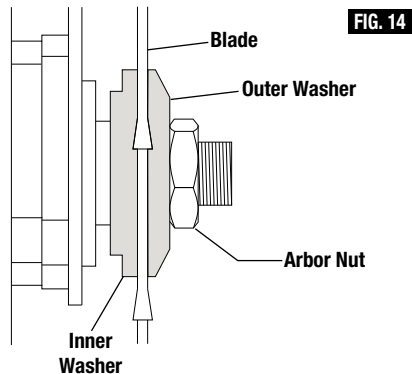
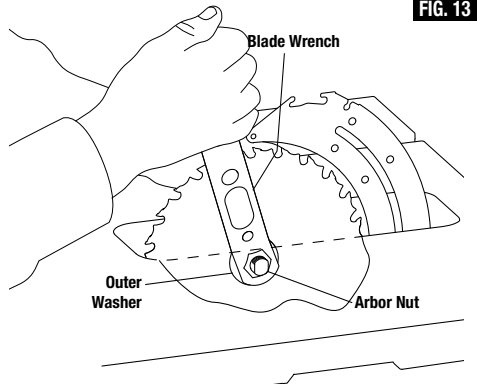
Handle carbide-tipped blades carefully. Carbide is very brittle and can be easily damaged. Use caution when you install, use or store the blades. Do not use a carbide-tipped blade that is bent or has bent teeth, or if the blade has cracks, is broken, or has missing/loose carbide tips. Do not operate a carbide-tipped blade faster than its recommended speed. When selecting a blade, ensure it is rated above 5300 rpm.

Read, understand, and follow all warnings and instructions provided with your carbide-tipped blades.

### ATTACHING RIP FENCE FOR USE

1. Ensure that the rip fence lock levers on both sides of the fence are in the released position.
2. Align the notch on the rip fence bracket with the bolt heads on the front and rear rails. Ensure that the flip-over fence will be on the blade-side of the main fence when in its use position. See Fig. 15.

3. Lower the fence onto the rails and secure the lock levers on both sides of the fence.
4. Ensure that the rail lock paddle is in the locked position prior to operating the saw.



# Storage, Transporting, and Mounting

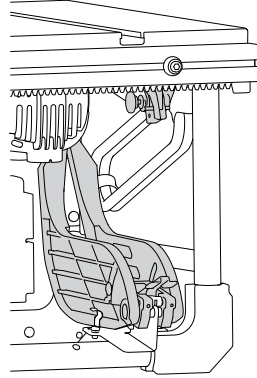
## SMART GUARD SYSTEM STORAGE

When not in use, the Main Barrier Guard and Anti-Kickback Device can be stored under the table.

Use of all the components of the Smart Guard System, including Main Barrier Guard, Anti-Kickback Device, and riving knife is highly recommended to provide protection against accidents and injury.

1. Lock the Main Barrier Guard assembly into place in the same manner as you would attach it to the riving knife (Fig. 16).
2. Attach the Anti-Kickback Device to the hanging bracket in the same manner that it attaches to the riving knife (Fig. 16).

**FIG. 16**

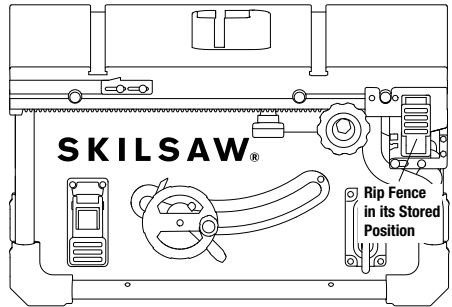


## RIP FENCE STORAGE

When not in use, the rip fence can be stored under the right end of the table on the rails.

1. Remove the fence from its in-use position on the rails.
2. Unlock the rails and extend the rails approximately 2" to the right of the table. (Fig. 17).
3. Hang the fence upside down under the rails, using the right side bolt locations as position indicators. Ensure that the flip-over fence, in its stored position.
4. Latch the front and rear lock levers.
5. Gently slide the rails back toward the center until the fence is close to the table saw frame, and then engage the rail locking lever.

**FIG. 17**

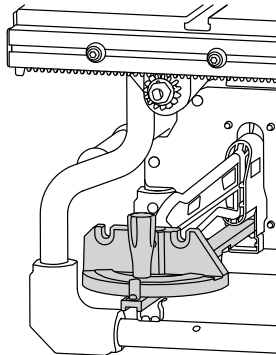


**FIG. 18**

## MITER GAUGE STORAGE

When not in use, the miter gauge can be stored under the back right side of the table.

1. Insert the front end of the miter guide into the slot located at the bottom of the push stick holder (Fig. 18).
2. Snap the base end of the miter guide into the clip located at the rear of the saw.



## Storage, Transporting, and Mounting

### TABLE SAW STORAGE

Store tool only in orientation (A) or (B) as shown in figure 19. Storing tool in other orientation may lead to tool damage.

### TRANSPORTING THE TABLE SAW

1. Unplug and wind up the electric cord.
2. Store all components and lower saw blade.
3. Lift and carry the table saw by firmly gripping the carrying handle. Carry the table saw with the table top facing your body (Fig. 20).

### MOUNTING THE TABLE SAW

If the portable table saw is to be used on a job-site for a period of time, it should be mounted securely to a firm supporting surface such as a stand or workbench, using the four mounting holes (Fig. 21).

The four mounting holes through the base are at 45 degree angle to the horizontal for fast setup and breakdown of the table saw mounting.

1. If mounting to a workbench, the base should be mounted securely using 1/4" wood screws or 1/4" lag bolts (not included) through mounting holes.

**NOTE:** Make sure the length of the wood screws or lag bolts is long enough for securely fastened the table saw with the workbench.

**WARNING** Be careful if the wood screws or lag bolts penetrate the workbench.

2. Drill one 1/8" diameter pilot holes through workbench, using one of the mounting holes on the table saw base to guide when drilling.
3. Drive the fastener to secure the table saw to the workbench through the drilled pilot hole.
4. Repeat 2&3 for the rest of the mounting holes.

FIG. 19

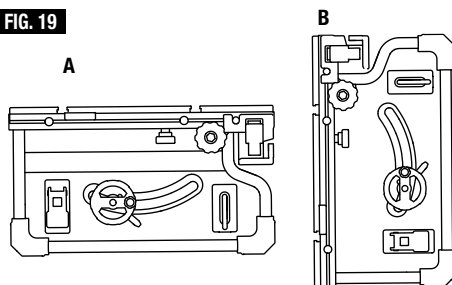


FIG. 20

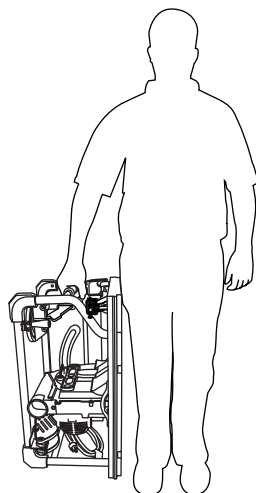
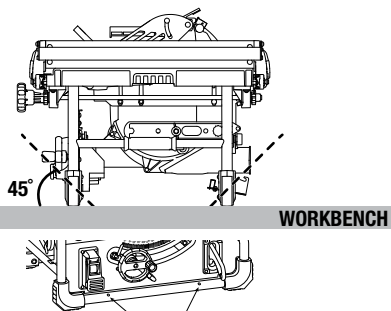


FIG. 21



Mounting Holes  
(At a 45-degree angle to the horizontal)

## Adjustments

### ADJUSTING 0 AND 45 DEGREE POSITIVE STOPS

Your saw is equipped with positive stops for fast and accurate positioning of the saw blade at 90 and 45 degrees to the table.

**WARNING** To prevent personal injury, always disconnect the plug from the power source when making adjustments.

1. Turn the elevation wheel clockwise and raise the blade to its maximum height (Fig. 22).

#### ADJUSTING 0 DEGREE POSITIVE STOP

2. Loosen the blade tilt lock handle and push the elevation wheel to the left as far as possible; tighten the blade tilt lock handle (Fig. 22).
3. Place a combination square on the table with one end of square against the blade as shown (Fig. 23), and check to see if the blade is 90 degrees to the table. If the blade is not 90 degrees to the table, loosen the blade tilt lock handle, loosen 90 degree adjustment screw, loosen 90 degree bevel stop cam and push the elevation wheel until the blade is 90 degrees to the table.
4. Tighten the blade tilt lock handle, rotate the bevel stop cam until it touches the bevel stop housing, then tighten 90 degree adjustment screw.
5. Loosen the adjustment screw and adjust the pointer to indicate 0 degrees on the bevel scale.

#### ADJUSTING 45 DEGREE POSITIVE STOP

6. Loosen the blade tilt lock handle and push the elevation wheel to the right as far as possible; tighten the blade tilt lock handle.
7. Place a combination square on the table with one end of the square against the blade as shown (Fig. 24), and check to see if the blade is 45 degrees to the table. If the blade is not 45 degrees to the table, loosen the blade tilt lock handle, loosen the 45 degree adjustment screw, loosen the 45 degree bevel stop cam and push the elevation wheel until the blade is 45 degrees to the table.
8. Tighten the blade tilt lock handle, rotate the 45 degree bevel stop cam until it touches the bevel stop housing, then tighten the 45 degree adjustment screw.

**NOTE:** Your table saw is able to achieve a bevel up to 46.5 degrees left and -1 degrees right. To reach these points, follow the procedure above and reset the stops as needed.

FIG. 22

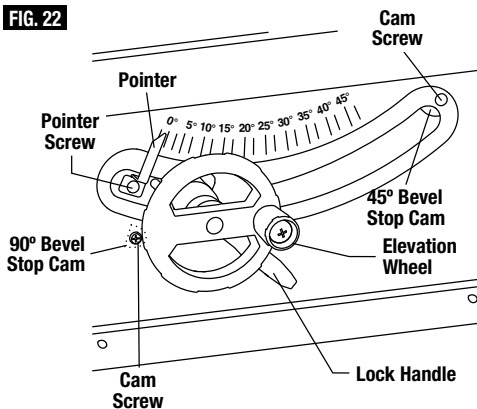


FIG. 23

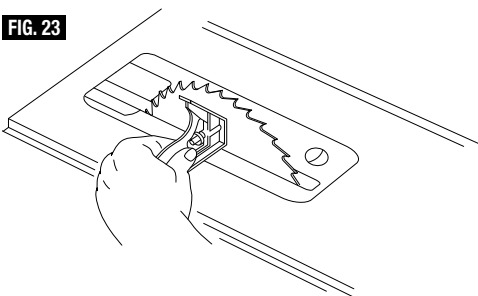
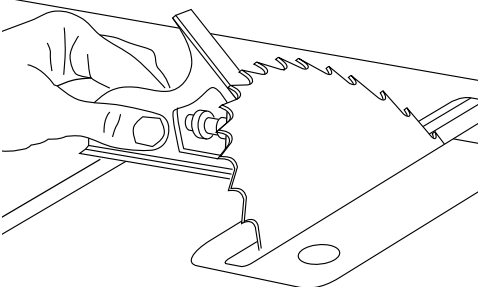


FIG. 24



## Adjustments

### ADJUSTING BLADE PARALLEL TO THE MITER GAUGE SLOTS

The blade was adjusted parallel to the miter gauge slots at the factory. In order to insure accurate cuts and help prevent kickback, this adjustment should be rechecked. If adjustment is necessary, follow the steps below.

**⚠ WARNING** To prevent personal injury, always disconnect the plug from the power source before making any adjustments.

1. Turn elevation wheel and raise blade as high as it will go.
2. Select a point on the body of the saw blade that is set to the left when viewing the blade from the front of saw, and mark with a pencil (Fig. 25).
3. Place the base of a combination square against the edge of the miter gauge slot, and extend the sliding rule of the square so it just touches the marked point on the body of the saw blade at the rear of the table.
4. Rotate the blade and check the same marked point of the saw blade at the rear of the table (Fig. 25).
5. If the front and rear measurements, shown in Figure 25 are not identical, identify the side with the gap. Use the hex wrench supplied with your saw to loosen the two alignment bolts located on the side with the gap. There are four alignment bolts located under the front and rear of the table top of the tool (Fig. 26 & 27). Carefully move the under carriage containing the saw blade until the blade is parallel to the miter slot, and securely tighten the two bolts. If the parallelism is still off, loosen all four bolts and repeat.

FIG. 25

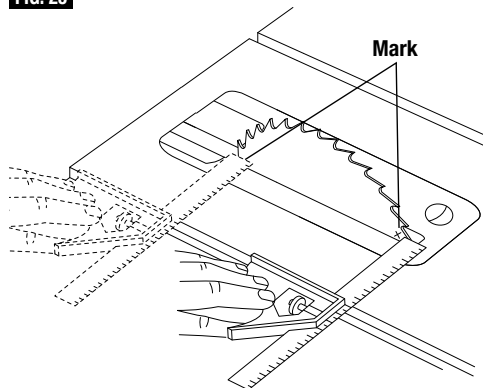
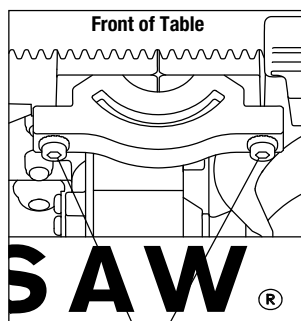
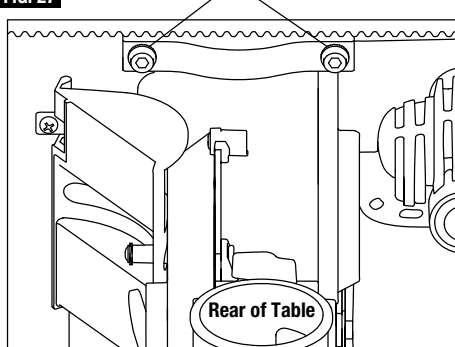


FIG. 26



Alignment Bolts

FIG. 27



Alignment Bolts

# Adjustments

## ALIGNING RIP FENCE

**⚠ WARNING** To prevent personal injury, always disconnect plug from the power source before making any adjustments.

The fence is properly aligned to the blade in all three positions at the factory and should not require adjustment. This section is intended only for maintenance purposes or when the fence becomes unaligned due to impact. The rip fence must be parallel with the sawblade in order to prevent KICKBACK when ripping.

Your table saw is equipped with a multiple position rack and pinion rip fence. Once the adjustments below have been made, the rip fence will self align when the fence is locked into one of the three positions. All three rip fence positions need to be aligned parallel to the blade. When moving the rip fence, make sure to unlock and lock the fence with the rail lock handle and use the front rail knob to adjust the fence position.

**NOTE:** The blade must be parallel with the miter gauge slots (see “Adjusting Blade Parallel to the Miter Gauge Slots”) and be perpendicular to table before proceeding with rip fence alignment.

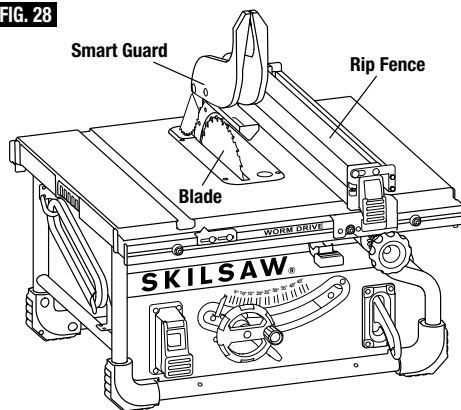
**⚠ WARNING** To prevent personal injury, always make sure that the rip fence is locked before making rip cuts.

1. Lift both guard barriers to their up locked position (Fig. 28).
2. Turn the elevation wheel and raise the blade as high as it will go.
3. Align the blade to the miter gauge slots per instructions: ADJUSTING BLADE PARALLEL TO THE MITER GAUGE SLOTS.
4. **Right side, position 1 (close to blade), see Fig. 30.**

**NOTE:** The right side position 1 for the fence permits cuts of 0 to 20.5 inches on the right side of the blade. The top scale shows this dimension. In this location, the flip-over fence should be on the left of the main fence when in the auxiliary fence position (closest to the blade).

- a. Loosen the right side position 1 bolts on the front and back rails so that they can slide freely, approximately 1/2 to 1 turn. Move the bolts to the right by approximately 1/8 inch.
- b. Place the fence on the position 1 bolts, but do not secure the latches on the front or back rail.

FIG. 28



- c. Move the rails so that the position indicator lines up with 0 on the top scale. Lock the rails in place using the rail lock paddle. If anti-kickback pawls are installed, you will need to raise the right side in order to align the fence with the blade.
- d. Slide the fence with the front and back screws towards the blade until the fence touches the blade teeth at the front and back of the blade.
- e. Tighten the front bolt. Verify that the fence is still in contact with the front and back teeth of the blade.
- f. Tighten the back bolt. Verify that the fence is still in contact with the front and back teeth of the blade.
- g. Latch the fence clamps onto the rails and ensure that the fence is still in contact with the front and back teeth of the blade.

## Adjustments

### 5. Right side, position 2 (further from blade), see Fig. 30.

**NOTE:** The right side position 2 for the fence permits cuts of 4 to 25 inches on the right side of the blade. The bottom scale shows this dimension. In this location, the flip-over fence should be on the left of the main fence when in the material support position (closest to the blade).

- Unlatch the fence clamps and remove the fence.
- Loosen the right side position 2 bolts on the front and back rails so that they can slide freely, approximately 1/2 to 1 turn.
- Using the fence alignment holes in the blade wrench, place the wrench over the right side position 1 bolt on the front rail (already fixed in place by step 4 above) with the second hole roughly aligned with the right side position 2 bolt.
- Move the right side position 2 bolt until the blade wrench slides over the bolt head.
- Tighten the right side position 2 bolt.
- Perform steps c through e for the back rail bolt.

### 6. Left side, see Fig. 30.

**NOTE:** The left side position for the fence permits cutting of 0 to 12 inches on the left side of the blade. The scale does not show this dimension. In this location, the flip-over fence should be on the right of the main fence when in the material support or auxiliary fence position (closest to the blade).

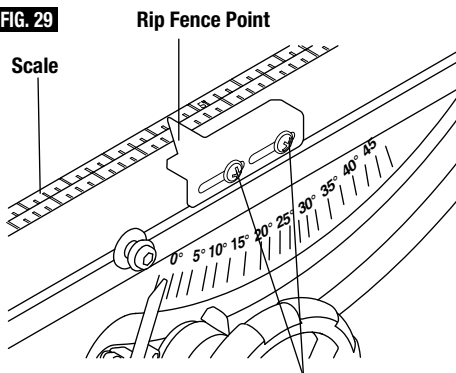
- Loosen the left side bolts on the front and back rails so that they can slide freely, approximately 1/2 to 1 turn. Move the bolts so they are approximately 3.5 inches from the left end of the rails.
- Place the fence on the left-side bolts but do not secure the latches on the front or back rail.
- Move rails so that the fence touches at least one tooth on the blade. Lock the rails in place using the rail lock paddle. If anti-kickback pawls are installed, you will need to raise the right side in order to align the fence with the blade.
- Slide the fence with the front and back screws towards the blade until the fence touches the blade teeth at the front and back of the blade.
- Tighten the front bolt. Verify that the fence is still in contact with the front and back teeth of the blade.

- Tighten the back bolt. Verify that the fence is still in contact with the front and back teeth of the blade.
- Latch the fence clamps onto the rails and ensure that the fence is still in contact with the front and back teeth of the blade.

### TO SET THE RIP FENCE POINTER:

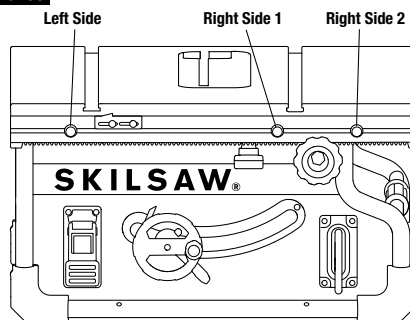
- Lift both guard barriers to their up locked position.
- Place the fence on the right side position 1 bolts and lock the fence clamps on the front and back.
- Raise rail lock paddle and move the fence until it is alongside the saw blade by lifting the right side pawl above the fence. Lock the rails in place.
- Loosen pointer adjustment screw, adjust pointer to "0" mark on lower scale, then re-tighten the screw.

**FIG. 29**



**Pointer Adjustment Screws**

**FIG. 30**



# Adjustments

## RIVING KNIFE ALIGNMENT

**IMPORTANT:** The riving knife must always be in line with the saw blade. The riving knife is thinner than the width of the kerf by approximately three thicknesses of paper on each side (Fig. 31).

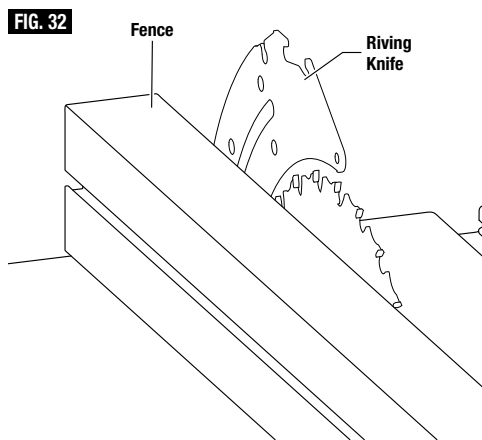
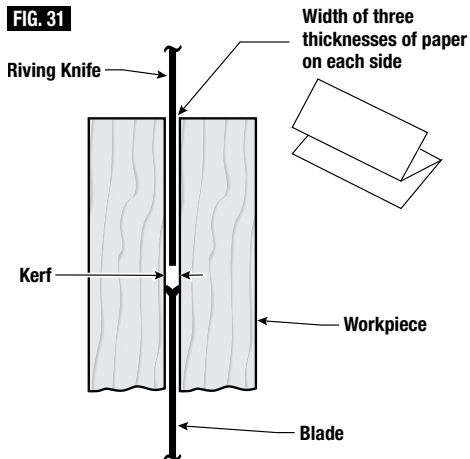
**Note:** The kerf is the width of the cut made by the teeth on the saw blade.

**⚠ WARNING** To prevent personal injury, always disconnect the plug from the power source before making any adjustments and when attaching or removing the Smart Guard System.

## CHECKING RIVING KNIFE ALIGNMENT

**⚠ WARNING** Check riving knife alignment to the blade periodically and make adjustments as necessary. Improperly aligned riving knife may result in work piece instability, loss of control, and KICK-BACK. If the riving knife is misaligned and cannot be adjusted, do not attempt to operate the saw. Have a qualified service technician perform riving knife alignment.

1. Check that the blade is properly aligned parallel with the miter gauge groove per instructions in “Adjusting Blade Parallel to Miter Gauge slots” and adjust the blade if necessary. Check that the rip fence is aligned with the blade (see instructions in “Aligning Rip Fence”) and adjust the rip fence if necessary.
2. Raise the blade to the full height (up) position. Raise the riving knife to its full up position (see instructions in “Positioning the Riving Knife”). Remove the anti-kickback pawls and guard assembly from the riving knife. Remove the insert plate (Fig. 32).
3. Place the rip fence on the left side of the table. Carefully move the rip fence against the blade so that the rip fence is parallel to the blade and just touches the tips of the saw teeth. Lock the rip fence and make sure that the front and back of the blade are still touching the rip fence (Fig 32).





## Adjustments

- Using the rip fence as a guide, check the riving knife alignment with the plane of the saw blade. Since the riving knife is thinner by approximately three thicknesses of paper on each side, than the width of the blade's KERF you must make a temporary paper "spacing gauge". Make two folds in a small piece (6" X 6") of ordinary newspaper to make three thicknesses. Place the paper spacing gauge between the riving knife and the rip fence (Fig. 33).
- Repeat step 4 with the rip fence on the right of the blade and check with the paper spacing gauge.
- If the paper spacing gauge does not fit between the rip fence and the riving knife per steps 4 and 5 above, the riving knife is not correctly aligned with the blade and must be adjusted. If the riving knife needs adjustment proceed to section "Adjusting Riving Knife." If the riving knife is correctly aligned with the blade then no adjustment is necessary.

**NOTE:** The riving knife has been properly aligned at the factory - Check the alignment before making any adjustments.

### ADJUSTING RIVING KNIFE

- Raise the saw blade to maximum height and set the bevel angle to 0°.
- Remove the barrier guard assembly and anti-kickback device.
- Remove the table insert.
- Place the rip fence on the right side and position 1 and move the fence until it touches the tips of the saw blade, then lock the rails in place.
- Loosen the hex nut with a 10mm open end wrench. Slightly loosen the clamping screws (1/4-1/2 turns) using the 5mm Allen wrench provided. Loosen the set screw using a flat screwdriver (Fig. 34).
- Make two folds in a small piece of paper (6" x 6") to form three layers. This folded paper is used as a "spacing gauge."

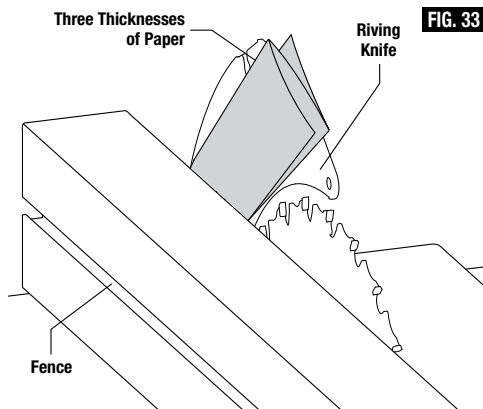


FIG. 33

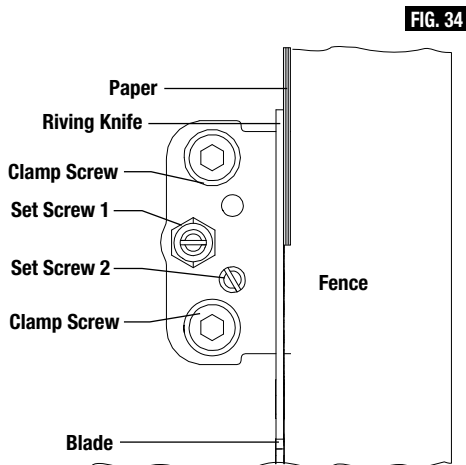


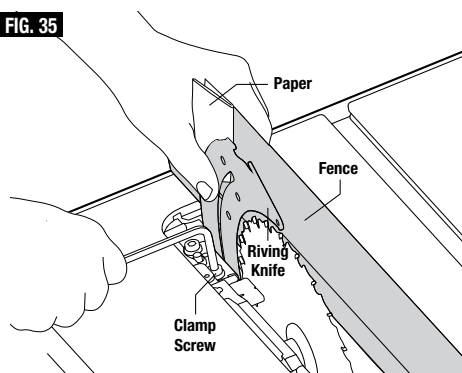
FIG. 34

**NOTE:** The spacing instructions above are based on using a standard kerf blade. If a smaller kerf blade is used, adjust the paper spacer. For instance, if the kerf of the replacement blade is near .100," use 1 thickness of paper as a spacer; if the kerf is near .110," use 2 thicknesses.

## Adjustments

7. Insert folded paper between riving knife and fence.
  - a. Hold the riving knife and paper firmly against the fence (Fig. 35).
  - b. Lightly tighten the clamp screws.
  - c. Remove the paper and move the fence away from blade.
  - d. Slowly turn the set screw 1 (for left and right adjustment) and set screw 2 (for front and rear adjustment) while watching the riving knife tilt until it is in line with the blade.
  - e. Recheck squareness of riving knife to table by sliding the fence against blade. Re-adjust if necessary.
8. After completing adjustments:
  - a. Lightly tighten the hex nut (hold the set screw in position with a screwdriver while tightening nut).
  - b. Fully tighten clamp screws with an Allen wrench. Then fully tighten the hex nut.

**FIG. 35**

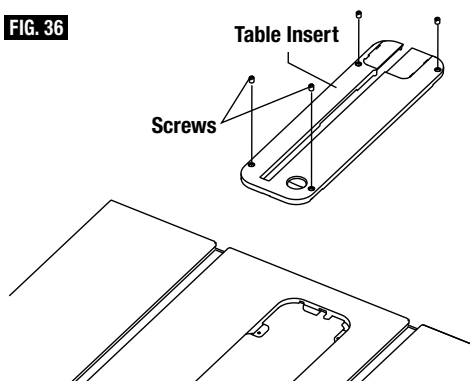


**NOTE:** Check that the riving knife stays in line with the blade when the blade is tilted at any angle. Replace the Barrier Guard Assembly and Anti-Kickback Device before making cuts.

### ADJUSTING THE TABLE INSERT

The table insert slot contains four (4) adjustment screws for adjusting the height of the table insert (Fig. 36). Place the insert onto the table. Place a straight edge (such as the metal ruler from a combination square) across the table top and insert top. If adjustment is necessary, use a 4mm Flat Head Screwdriver to rotate each set screw up or down. The insert should be slightly below the table at the front and slightly above the table at the back.

**FIG. 36**



# Basic Table Saw Operation

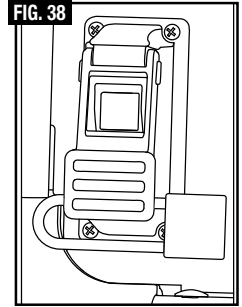
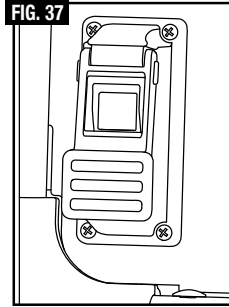
## SAFETY POWER SWITCH

**NOTE:** This table saw has a safety feature that helps prevent accidental starting. When power is cut to the saw, the tool will switch to the off mode. Once power is restored, the tool will need to be turned on again.

**To turn saw ON:** Press the green button.

**To turn saw OFF:** Press the red paddle (which depresses the red off switch underneath) (Fig. 37).

To prevent unauthorized use: the switch can accommodate a padlock with a long 3/16" diameter shackle (not included) (Fig. 38).



## USING THE SMART GUARD SYSTEM

The SKILSAW Smart Guard has been designed for modularity, enabling the use of multiple combinations of the three main components – 1) Riving Knife / Splitter, 2) Main Barrier Guard, and 3) Anti-kickback Device (Fig. 39). Additionally, the riving knife can be quickly adjusted to three positions, depending on the application requirement: through cut (high), non-through cut (middle), and dado (lowest). The three primary components of the Smart Guard blade guarding system are designed for rapid attachment, adjustment, and/or removal without the need for additional tools. Any Smart Guard components that need to be removed to complete a cut should be immediately reinstalled when finished. See “Attaching the Smart Guard System” for detailed installation instructions. Always remember that the best accident prevention is the operator’s use of common sense and alertness at all times when using the table saw.

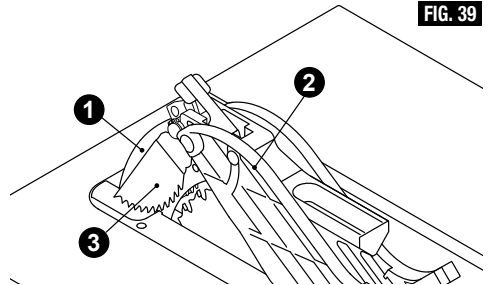
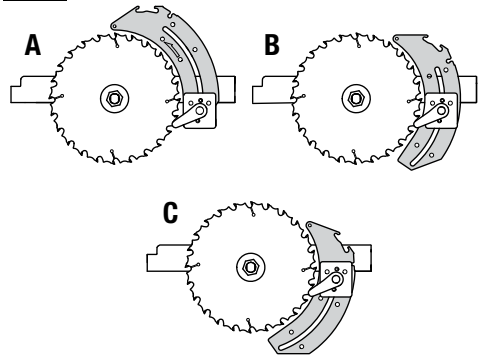


FIG. 40



### Riving Knife / Splitter

The Riving Knife (splitter) is the central element of the SKILSAW Smart Guard blade guarding system, serving as the attachment point for both the Main Barrier Guard and the Anti-Kickback Device. In the event that the Main Barrier Guard and Anti-Kickback Device are removed, the Riving Knife maintains its functionality as a material splitter, and can be quickly adjusted to three positions (through cut A, non-through cut B, and dado C), depending on the application requirement, (Fig. 40). The riving knife adjustment has a "snap-in" feature: When the operator release

the pins, the riving knife will be pushed back to the base after the operator release it. So just slide the riving knife, it will engage in the locking pins in the next position automatically. Because of this adjustability, the riving knife can be appropriately positioned for all cutting applications.

## Basic Table Saw Operation

The Riving Knife (splitter) can be easily adjusted to one of three heights by removing the table insert, raising the blade to its full height and releasing the riving knife release lever at the base of the Riving Knife. The Riving Knife should be locked in its through cut (highest) position for use with the Main Barrier Guard and Anti-Kickback Device. It can be adjusted to its non-through cut (middle) position for use as a material splitter without the Main Barrier Guard and Anti-Kickback Device. In the event that the Riving Knife cannot be used for a specific cut or for use with a dado blade, it can be adjusted to its dado (lowest) position.

### Main Barrier Guard

The main guard is comprised of a pair of plastic barriers attached to the upper barrier guard. The side barriers (one to the left and one to the right of the blade) operate independently of one another, maintaining maximum blade coverage during cutting operations. The main guard incorporates a quick-connect attachment point and can be attached or removed from the blade guarding system independent of the Anti-Kickback Pawls and Riving Knife / Splitter.

The Main Barrier Guard component can be quickly attached and detached through the use of

a quick release lever. The guard is attached by seating the crossbar into the top of the Riving Knife / Splitter and engaging the locking lever. Following this process in reverse, the guard can be easily removed for special operations, such as dados or rabbets.

**NOTE:** To best secure the main guard for relocation, adjust the blade to its lowest position. This keeps the guard tight to the table surface and prevents damage related to the guard swinging during relocation. If transporting over a longer distance on/off the job, place guard in its below table storage position (See Fig. 16).

### Anti-Kickback Device

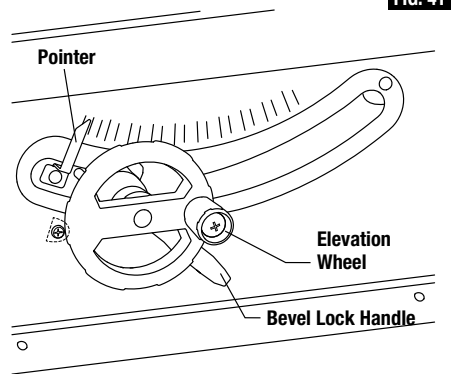
In the event of kickback, the Anti-Kickback Device, (also known as dogs, or pawls) is intended to help prevent the board from being thrown in the direction of the user. The sharp teeth of the pawls are intended to “catch” the material in the event of kickback.

The Anti-Kickback Device can be easily attached by aligning the attachment pin with the hole in the rear of the Riving Knife / Splitter. It can be easily re-moved by depressing the compression pads on both sides of the Anti-Kickback Device and lifting it away.

---

### BLADE BEVEL CONTROL

Loosen the blade bevel lock handle counterclockwise (Fig. 41), slide the elevation wheel until the pointer is at the desired angle and tighten the blade tilt lock handle clockwise.



# Basic Table Saw Operation

## WORK HELPERS

Before cutting any wood on your saw, study all of the "Basic Saw Operations."

Notice that in order to make some of the cuts, it is necessary to use certain devices, "Work Helpers,"

like the Push Stick, the Push Block and the Auxiliary Fence, which you can make yourself.

After you have made a few practice cuts, make these "helpers" before starting any projects. Make the "Push Stick" first. (A push stick is included with this table saw).

### PUSH STICK AND PUSH BLOCK

Make the push stick using a piece of 1 x 2 as shown (Fig. 42).

Make the push block using pieces of 3/8" plywood **A** and 3/4" hardwood **B** (Fig. 43).

The small piece of wood, 1/2" x 3/8" x 2-1/2", should be **GLUED** to the plywood. **DO NOT USE NAILS**. This is to prevent dulling the sawblade in the event you mistakenly cut into the push block.

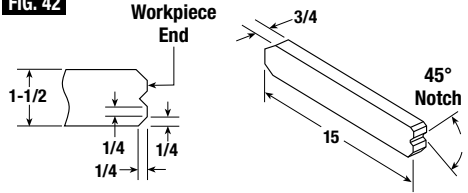
Position the handle in the center of the plywood and fasten it together with glue and woodscrews.

Use a push stick whenever the fence is 2 inches or more from the blade. Use a push block when the operation is too narrow to allow the use of a push stick. For proper use, see "Ripping" and "Bevel Ripping sections."

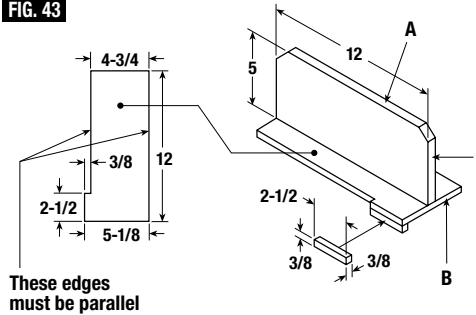
The push stick or block should be used in the place of the user's hand to guide the material only between the fence and blade.

When using a push stick or push block, the trailing end of the board must be square. A push stick or block against an uneven end could slip off or push the work away from the fence.

**FIG. 42**



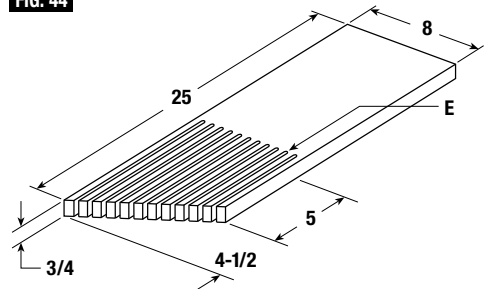
**FIG. 43**



### MAKING A FEATHERBOARD

Figure 44 illustrates dimensions for making a typical featherboard. It should be made from a straight piece of wood that is free of knots or cracks. Kerf **E** should be about 1/4" apart (Fig. 44).

**FIG. 44**



**NOTE: All dimensions in inches.**

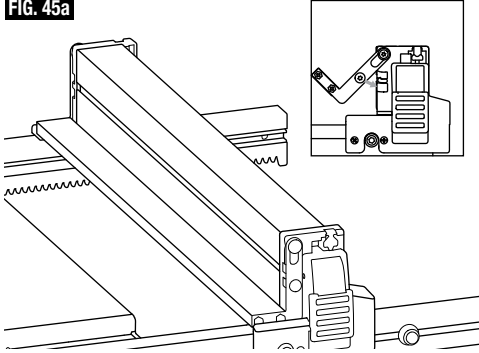
# Basic Table Saw Operation

## MATERIAL SUPPORT / AUXILIARY FENCE

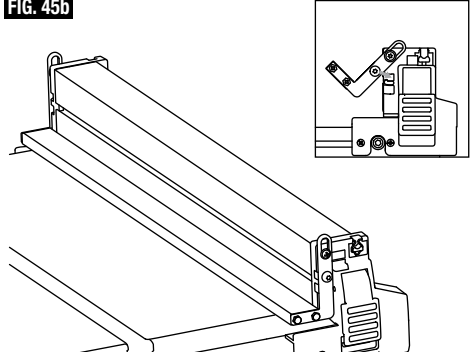
When the fence is beyond the table-top, ensure that the material support is secured in the lowest position in both the front and the back slots (Fig. 45a). When the fence is over the table, ensure

that the material support is in the stowed position. If an auxiliary fence is required, place the material support in the upper position on both the front and back slots (Fig. 45b). To secure fence setting, lower the lock handle.

**FIG. 45a**



**FIG. 45b**



## USING THE RIP FENCE POINTER

The rip fence pointer shows the distance from the blade to rip fence.

### Right position 1.

The top scale indicates the position of the fence relative to the right side of the blade for the inner position. In this position, the fence can be used from 0 to 20.5 inches (Fig. 46).

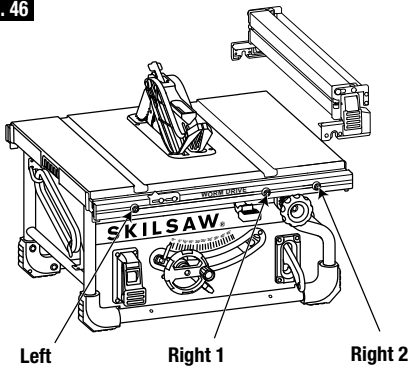
### Right position 2.

The bottom scale indicates the position of the fence relative to the right side of the blade for the outer position. In this position, the fence can be used from 4 to 25 inches (Fig. 46).

### Left position.

The scale has no relevance for this position. The maximum capacity on the left side of the blade is 12 inches (Fig. 46).

**FIG. 46**



## Basic Table Saw Operation

**⚠ WARNING** Always wear hearing protection during cutting, and gloves when handling saw blades.

### USING THE RIP FENCE

RIPPING, BEVEL RIPPING, RESAWING AND RABBETING are performed using the RIP FENCE together with the AUXILIARY FENCE / WORK SUPPORT, PUSH STICK OR PUSH BLOCK.

**⚠ WARNING** For your own safety, always observe the following safety precautions, in addition to the safety instructions on Pages 3, 4, 5 & 6.

1. Never make these cuts FREEHAND (without using the rip fence or auxiliary devices when required), because the blade could bind in the cut and cause a KICKBACK.
2. Always lock the rip fence securely when in use.
3. Remove miter gauge from table during any operations that utilize the rip fence.
4. Make sure that the blade guard is installed for all through sawing type cuts. Replace the guard IMMEDIATELY following completion of resawing, rabbeting, or dadoing operations.

Frequently check the action of the ANTIKICKBACK PAWLS by passing the workpiece alongside of the spreader while saw is OFF.

Pull the workpiece TOWARD you. If the PAWLS do not DIG into the workpiece and HOLD it, the pawls must be REPLACED or SHARPENED. (See "Maintaining Your Table Saw").

5. Have the blade extend approximately 1/8" above the upper surface of workpiece. Additional blade exposure would increase the hazard potential.
6. Do not stand directly in front of the blade in case of a KICKBACK. Stand to either side of the blade.
7. Keep your hands clear of the blade and out of the path of the blade.
8. If the blade stalls or stops while cutting, TURN THE SWITCH OFF before attempting to free the blade.
9. Do not reach over or behind the blade to pull the workpiece through the cut, to support long or heavy workpieces, to remove small cut-off pieces of material, or FOR ANY OTHER REASON.

10. Do not pick up small pieces of cut-off material from the table. REMOVE them by pushing them OFF the table with a long stick. Otherwise they could be thrown back at you by the rear of the blade.
11. Do not remove small pieces of cut-off material that may become TRAPPED inside the blade guard while the saw is RUNNING. THIS COULD ENDANGER YOUR HANDS or cause a KICKBACK. Turn the saw OFF and disconnect the power source. After the blade has stopped turning, lift the guard and remove the piece.
12. If the workpiece is warped, place the CONCAVE side DOWN. This will prevent it from rocking while it is being ripped.

### RIP FENCE AUXILIARY FACING

When using dado accessories, an auxiliary facing board should be used. This will help prevent damage to the aluminum fence. The facing should be made of 3/4 inch thick wood (Fig. 47).

#### Parts Required:

- 3/4" thick wood board (solid or plywood) cut to size.
- Two (2) clamps.
- The facing is made to the same height (2-3/4") as the fence and can work with the blade guard system in place when moving the fence to contact the blade. Use two clamps to clamp the 3/4 inch thick wood board to the rip fence.

**NOTE:** The auxiliary facing board, should also be used when cutting material less than 3/16" thick.

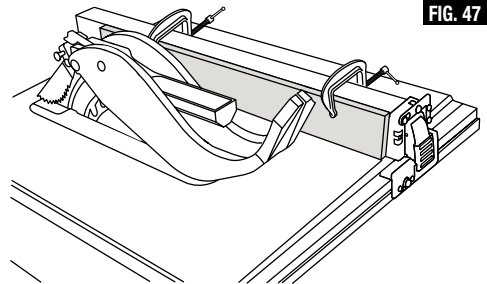


FIG. 47

# Basic Table Saw Operation

## RIPPING

RIPPING is known as cutting a piece of wood with the grain, or lengthwise. This is done using the rip fence. Position the fence to the desired WIDTH OF RIP and lock it in place.

Before starting to rip, be sure:

- A. Rip Fence is parallel to saw blade.
- B. Riving knife is properly aligned with saw blade.
- C. Anti-kickback pawls are functioning properly.

Position the wider portion of the workpiece on the side of the fence.

When ripping LONG BOARDS or LARGE PANELS, always use an auxiliary work support (Fig. 48).

## BEVEL RIPPING

Avoid bevel ripping with the fence on the left side, when possible. When bevel ripping material 6" or narrower, use the fence on the right side of the blade ONLY. This will provide more space between the fence and the sawblade for use of a push stick. If the fence is mounted to the left, the sawblade guard may interfere with proper use of a push stick.

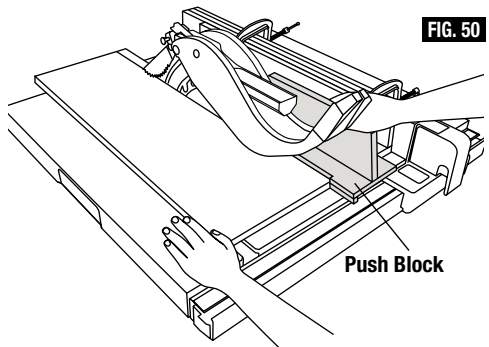
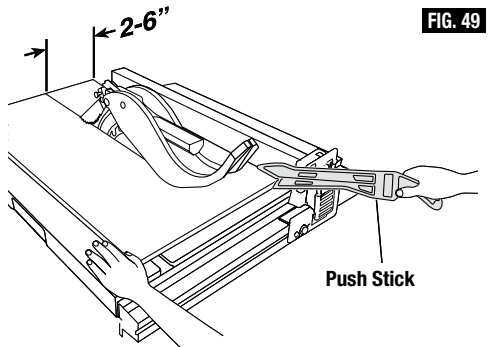
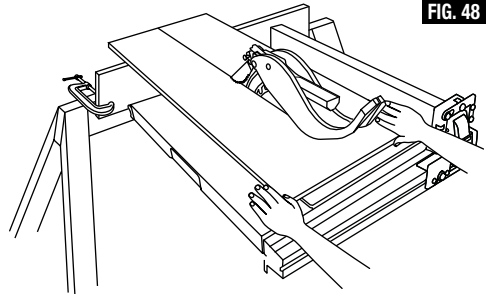
When "WIDTH OF RIP" is 6" and WIDER use your RIGHT hand to feed the workpiece, use LEFT hand ONLY to guide the workpiece, do not FEED the workpiece with the left hand (Fig. 48).

When "WIDTH OF RIP" is 2" to 6" wide USE THE PUSH STICK to feed the work (Fig. 49).

When WIDTH OF RIP is NARROWER than 2" the push stick CANNOT be used because the guard will interfere. USE the AUXILIARY FENCE, and PUSH BLOCK.

The auxiliary fence should be used any time the "WIDTH OF RIP" is under 6 inches wide. If the "WIDTH OF RIP" is of a smaller dimension than the height of the workpiece, then a sacrificial auxiliary fence of adequate height to fully support the workpiece during the cut should be made and attached to the fence.

Feed the workpiece by hand until the end is approximately 1" from the front edge of the table. Continue to feed using the PUSH BLOCK on top of auxiliary fence UNTIL THE CUT IS COMPLETE (Fig. 50).





# Basic Table Saw Operation

## USING THE MITER GAUGE

CROSSCUTTING, MITER CUTTING, BEVEL CUTTING, COMPOUND MITER CUTTING and when RABBETING across the end of a narrow workpiece, the MITER GAUGE is used.

**WARNING** For your own safety, always observe the following safety precautions, in addition to the safety instructions in General Safety Rules, Safety Instructions for Table Saws, and Additional Safety Rules.

Never make these cuts freehand (without using the miter gauge or other auxiliary devices) because the blade could bind in the cut and cause a KICKBACK or cause your fingers or hand to slip into the blade.

Always lock the miter gauge securely when in use.

Miter Gauge at 90° can be used from 0 to 14 inches cross cutting. Remove the rip fence from table during any operations that utilize the miter gauge.

When cross cutting with the blade set at 90° or 45° to the table, the miter gauge can be used in either slot on the table. When cross cutting and the blade is tilted, use the slot on right side of table where the blade is tilted away from your hands and miter gauge.

### To adjust the miter angle:

Loosen lock knob and set the miter gauge body so that the pointer is at desired angle, then tighten lock knob (Fig. 51).

## MITER GAUGE AUXILIARY FACING

The miter gauge of this table saw is designed to accept an Auxiliary Facing with pre-molded holes for fastening a suitable piece of smooth straight wood. Utilize the miter gauge as a template, to attach with proper fasteners (Fig. 52).

### Example:

- Drill 5/32" dia. holes through a board 3/4" thick, 3" high, and desired length.
- Attach with two No. 12 round head wood screws 1-1/2" long, not included (Fig. 52).

Be sure that the screws never protrude above the outside surface of facing.

Be sure the facing does not interfere with the proper operation of the saw blade guard.

**NOTE:** When bevel crosscutting, attach the facing so that it extends to the right of the miter gauge and use the miter gauge in the groove to the right of the blade.

FIG. 51

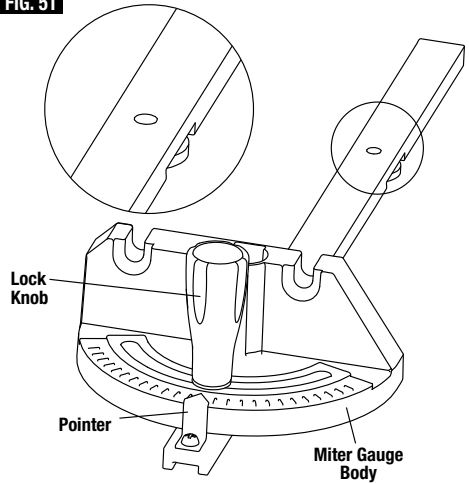
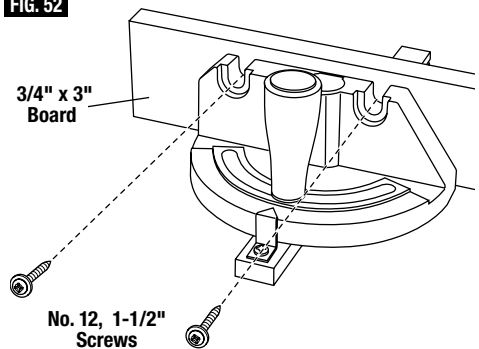


FIG. 52



# Basic Table Saw Operation

## CROSSCUTTING

CROSSCUTTING is known as cutting wood across the grain, at 90°, or square with both the edge and the flat side of the wood. This is done with the miter gauge set at 90° (Fig. 53).

Make sure that the blade guard is installed for all “through sawing” operations (when the sawblade cuts entirely through the thickness of the workpiece). Replace guard **IMMEDIATELY** after completion of dadoing or rabbeting cuts.

Have the blade extend approximately 1/8" above top of workpiece. Additional blade exposure would increase the hazard potential.

Do not stand directly in front of the blade in case of a **THROWBACK** (small cut-off piece caught by the back of the blade and thrown toward the operator). Stand to either side of the blade.

Keep your hands clear of the blade and out of the path of the blade.

If the blade stalls or stops while cutting, **TURN THE SWITCH OFF** before attempting to free the blade.

Do not reach over or behind the blade to pull the workpiece through the cut, to support long or heavy workpieces, to remove cut-off pieces of material, or **FOR ANY OTHER REASON**.

Do not pick up small pieces of cut-off material from the table. **REMOVE** them by pushing them **OFF** the table with a long stick. Otherwise they could be thrown back at you by the rear of the blade.

Do not remove small pieces of cut-off material that are close to or may become **TRAPPED** inside the blade guard while the saw is **RUNNING**. **THIS COULD ENDANGER YOUR HANDS** or cause a **KICKBACK**. Turn the saw **OFF**. After the blade has stopped turning, lift the guard and remove the piece.

If the workpiece is warped, place the **CONCAVE** side **DOWN**. This will help to prevent it from rocking while it is being cut.

The graduations on the miter gauge provide accuracy for average woodworking. In some cases where extreme accuracy is required, when making angle cuts, for example, make a trial cut and then recheck it with an accurate square or protractor.

If necessary, the miter gauge head can be swiveled slightly to compensate for any inaccuracy.

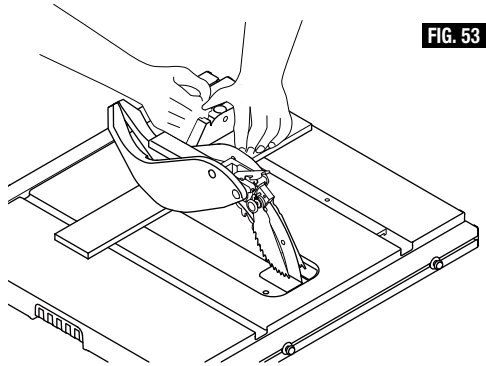
**TIP:** The space between the miter gauge bar and the groove in the table is held to a minimum during manufacturing. For maximum accuracy when using the miter gauge, always “favor” one side of the groove in the table. In other words, don’t move the miter gauge from side to side while cutting but keep one side of the bar riding against one side of the groove.

**TIP:** Glue a piece of sandpaper to the face of the miter gauge head. This will help prevent the workpiece from “creeping” while it is being cut.

The miter gauge may be used in either of the grooves in the table. Make sure it is locked.

When using the miter gauge in the **LEFT** hand groove, hold the workpiece firmly against gauge head with your left hand, and grip the lock knob with your right hand.

When using the **RIGHT** hand groove, hold the workpiece with your right hand and the lock knob with your left hand.



**FIG. 53**

# Basic Table Saw Operation

## REPETITIVE CUTTING

REPETITIVE CUTTING is cutting a quantity of pieces the same length without having to mark each piece (Fig. 54).

When making repetitive cuts from a long workpiece, make sure it is supported.

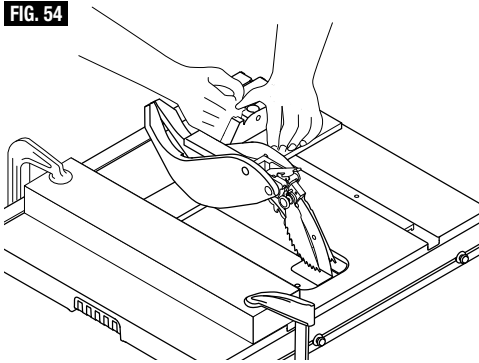
**⚠ WARNING** Never use the rip fence as a length stop, because the cut-off piece could bind between the fence and the blade causing a kickback.

1. When making repetitive cuts, clamp a block of wood 3" long to the table at the desired length to act as a length stop.

**⚠ WARNING** When clamping the block, make sure that the end of the block is well in front of the sawblade. Be sure that it is clamped securely.

2. Slide the workpiece along the miter gauge until it touches the block, then hold it securely.
3. Make the cut, pull the workpiece back, then push the cut-off piece off the table with a long push stick. DO NOT ATTEMPT TO PICK IT UP AS THIS COULD ENDANGER YOUR HANDS.

FIG. 54



## MITER CUTTING

MITER CUTTING is cutting wood at an angle other than 90° with the edge of the wood. Follow the same procedure as you would for crosscutting (Fig. 55).

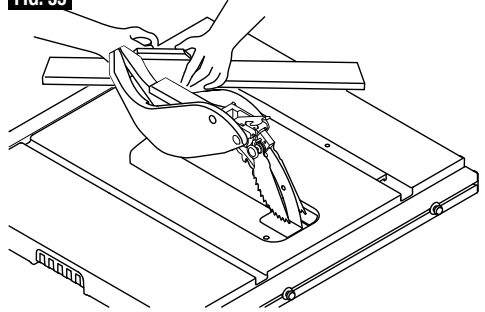
Adjust the miter gauge to the desired angle, and lock it.

The miter gauge may be used in either of the grooves in the table.

When using the miter gauge in the LEFT hand groove, hold the workpiece firmly against the miter gauge head with your left hand, and grip the lock knob with your right hand.

When using the RIGHT hand groove, hold the workpiece with your right hand and the lock knob with your left hand.

FIG. 55



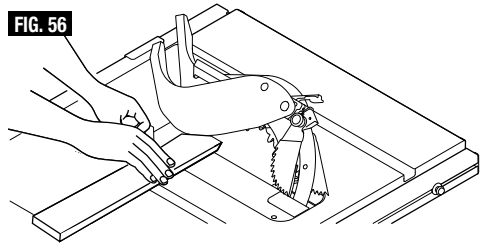
## BEVEL CROSSCUTTING

BEVEL CROSSCUTTING is the same as crosscutting except that the wood is also cut at a bevel angle other than 90° with the flat side of the wood (Fig. 56).

Adjust the blade to the desired angle.

Use the Miter Gauge in the groove to the RIGHT or the LEFT of the blade.

FIG. 56



## COMPOUND MITER CUTTING

COMPOUND MITER CUTTING is a combination of miter cutting and bevel crosscutting. The cut is made at an angle other than 90° to both the edge and the flat side of the wood.

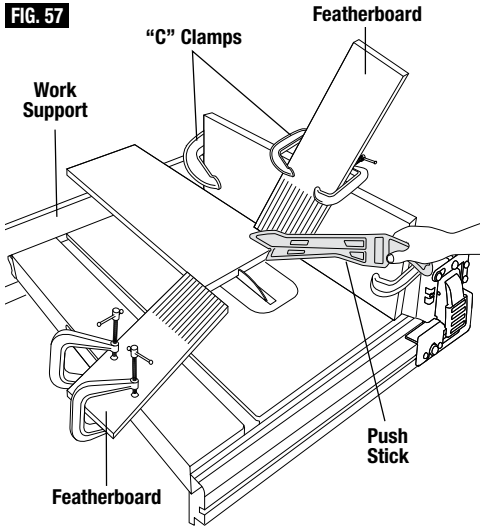
Adjust the miter gauge and the blade to the desired angle and make sure that miter gauge is locked.

# Basic Table Saw Operation

## NON THROUGH SAWING

Add an 8" high flat facing board to the fence, the full length of the fence (Fig. 57).

**FIG. 57**



Use featherboards for all "Non Through Sawing" operations (when the sawblade guard must be removed). Featherboards are used to keep the workpiece in contact with the fence and the table as shown, and to stop kickbacks.

Mount featherboards to the fence and table as shown, so that the leading edges of the featherboards will support the workpiece until the cut is complete, and the workpiece has been pushed completely past the cutter (sawblade, dado head, etc.) with a push stick, as in ripping.

Before starting the operation (with the saw turned "OFF" and the cutter set below the table surface):

- A. Install featherboards so they exert pressure on the workpiece; **BE POSITIVE THEY ARE SECURELY ATTACHED.**
- B. Make sure, by trial, that the featherboards will stop a kickback if one should occur.

Featherboards are not employed during non through sawing operations when using the miter gauge.

**REPLACE THE SMART GUARD SYSTEM AS SOON AS THE NON THROUGH SAWING OPERATION IS COMPLETE.**

## RABBETING

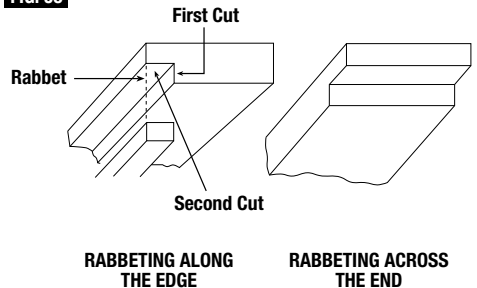
RABBETING is cutting out a section of the corner of a piece of material, across an end or along an edge (Fig. 58).

Making a RABBET requires cuts that do not go all the way through the material. Therefore, the Smart Guard System must be removed.

1. Remove blade guard.
2. For rabbeting along an edge (long way of workpiece) as shown, add a facing approximately as high as the workpiece is wide to the rip fence. Adjust the rip fence and blade to the required dimensions, then make the first cut with the board flat on the table, following the set-up shown in Fig. 58. Make a second cut with the workpiece on its edge. Follow all precautions, safety instructions, and operation instructions as for ripping or rip type operations, including featherboards and push stick, etc.
3. For rabbeting across an end, for workpiece 10-1/2" and narrower make the rabbet cut with the board flat on the table. Using the miter gauge fitted with a facing, follow the same procedures and instructions for crosscutting making successive cuts across the width of the workpiece to obtain the desired width of cut. **DO NOT** use the rip fence for rabbeting across the end.
4. **INSTALL SMART GUARD SYSTEM IMMEDIATELY UPON COMPLETION OF RABBETING OPERATION.**

Rabbet cuts can also be made in one pass of the workpiece over the cutter using the dado head.

**FIG. 58**



# Basic Table Saw Operation

## DADO CUTTING

Instructions for operating the saw with Dado Head sets are contained in the booklet furnished with these accessories.

ALWAYS USE AN APPROPRIATE SKILSAW TABLE INSERT AND WASHERS LISTED IN "RECOMMENDED ACCESSORIES."

ALWAYS PLACE THE BLADE WASHERS IN THE ORIGINAL POSITIONS WHEN YOU ARE FINISHED DADO CUTTING.

## INSTALLING A DADO SET

A dado set is an accessory system used to make non-through grooves or lap cuts on work pieces. These tools are commonly used in furniture and cabinet building. After work pieces have been properly dado cut, they can be tightly joined together. This table saw can accommodate dado cutting up to 1/2" wide in a single pass.

**WARNING** To reduce the risk of injury, always disconnect plug from power source before changing blades.

**WARNING** To reduce the risk of injury, always use the SKILSAW SPT5005-DD 1/2 inch Dado Blade Table Insert.

Never make dado cuts without this insert. Do not use dado sets larger than 8" diameter. Never set dado cutters to any bevel angle other than the vertical 0° angle. Follow all warnings and instructions shown here and those that accompany your dado set. Failure to comply with these warnings may result in serious bodily injuries.

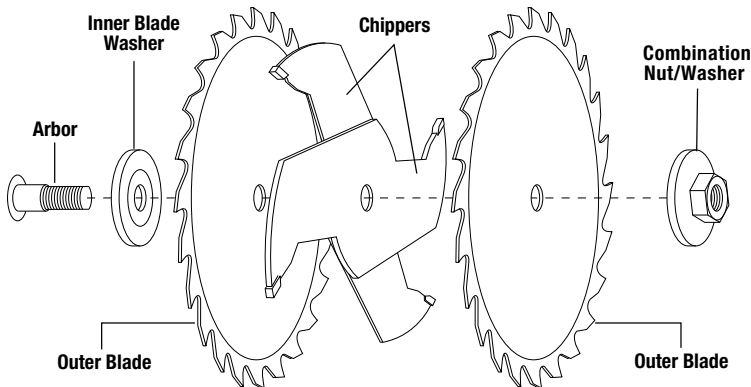
**WARNING** To reduce the risk of injury, do not use dado sets larger than 8 inches in diameter. The saw is not designed to accept larger sized dados.

## USING STACKED DADO SETS

**NOTE:** These instructions apply to most standard stacked dado sets.

1. Disconnect the plug from the power source.
2. Remove the Barrier Guard Assembly and Anti-Kickback Device.
3. Remove the standard table insert plate. Raise the saw blade to the maximum height. Lower and lock the riving knife in its lowest position.
4. Remove the arbor nut, then the outer washer, and saw blade. **NOTE:** For only dado cutting, leave the inner washer in place. The outer washer will be replaced with the combination nut/washer included with the SPT5005-DD insert.
5. Installing a dado stack (Fig. 59):
  - a. Place the desired parts of the dado set onto the arbor shaft.
  - b. Place the supplied combination nut/washer from the Dado Accessory Kit onto the outside of the dado stack and tighten.
6. Placing dado blades and chippers (Fig. 59):
  - For 1/4" wide cuts, place the two outside dado blades (cutters) on the shaft. The two dado outside blades may be different, check for information on the blade and the manufacturer's instructions for proper installation.

FIG. 59



## Basic Table Saw Operation

- For wider cuts (up to 1/2" maximum for the SPT5005-DD insert), chipper blades and spacers can be placed only between the outside blades (cutters).

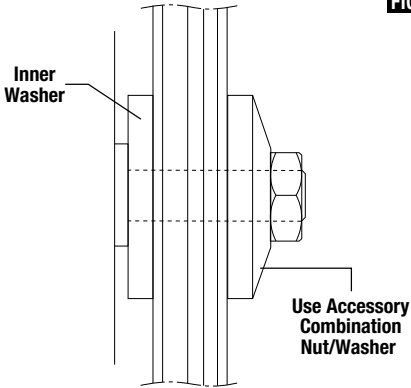


FIG. 60

The work piece must be held against the saw's fence or miter gauge as it is being fed. Whenever possible, use push sticks and push blocks for cutting. Always use feather boards, attached to the table or fence, when rip cutting. See the "Work Helpers" section. When cross cutting, firmly hold work piece against the miter gauge.

**NOTE:** Because dado cuts are non-through cuts, the miter gauge can be used with the fence locked in place. This is helpful when making repeat dado cross-cuts from the ends of more than one work piece. Each piece is held against the miter gauge and its end slides along the fence at a preset distance.

Depending on the final depth of cut and/or the density of the material, it may be required to make multiple cuts starting with small depths of 1/4" to 1/2" and progressing to the final depth. When performing extensive repetitive dado cutting, periodically check the work pieces to see that the depth of cut is maintained.

**⚠ WARNING** To reduce the risk of injury, never use a single dado blade for normal saw through sawing. Never use chippers without both outside cutters. Read and follow all Operation/Safety Instructions included with the dado set.

**NOTE:** With this saw, do not exceed a stacked width greater than 1/2". Use combination nut/washer supplied with the SPT5005-DD insert.

- Lower the blades below the table top and insert the SKILSAW Dado Table Insert (Fig. 61). Adjust the dado insert so that it is flush with the saw table surface. Raise the cutters to the desired depth of cut (above the insert). Check that the tool is not plugged into a power source; then carefully rotate the cutters by hand to make sure that all components are tightly held and no interferences exist.
- Plug the saw into the power source. Using scrap wood, make practice dado cuts and adjust height accordingly.

**⚠ WARNING** To reduce the risk of injury, never pass your hands over the cutting dado blades. Dado cuts are non-through (blind) cuts. Many times the cutters cannot be seen during cutting. See instructions for "Non Through Sawing."

**⚠ WARNING** To reduce the risk of injury, never make freehand cuts.

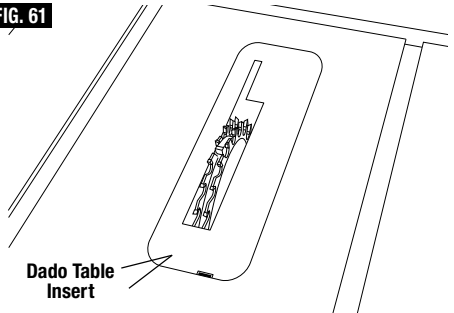
### RETURNING SAW TO NORMAL THROUGH SAWING

After completing your Dado cutting, be sure to return the inner and outer washers to their original positions (see "Removal and Installation of the Blade" details). It is important that the original equipment washers are in the proper positions so that the saw blade always aligns with the permanently installed riving knife.

### ADJUSTABLE OR WOBBLE DADO SETS

**⚠ WARNING** To reduce the risk of injury, do not use adjustable or "wobble" dado sets on this saw. Adjustable dado sets can be easily set to positions that may interfere with working components of this saw.

FIG. 61



## Basic Table Saw Operation

### SPECIAL CUTTING TECHNIQUES

**⚠ WARNING** Do not attempt to perform cuts not covered in this manual unless you are thoroughly familiar with procedures and fixturing. These types of cuts include, but are not limited to, tapered cuts and complex non-through cutting, such as plunge cutting, resawing, moulding head cutting, and plowing. This table saw is a highly versatile tool, capable of performing a wide range of highly specialized cuts that cannot be covered in this manual.

See your local library for books on woodworking techniques, such as: The Complete Book of

Stationary Power Tool Techniques by R.J. De Christoforo or Table Saw Techniques by R. Cliffe.

### CUTTING METALS AND MASONRY

**⚠ WARNING** This table saw is not recommended for cutting metals, such as aluminum or copper, even with a special blade designed to cut these materials.

**⚠ WARNING** This table saw is not recommended for cutting any masonry material, even with abrasive cut-off wheels.

## Maintaining Your Table Saw

**⚠ WARNING** For your own safety, turn switch "OFF" and remove plug from power source outlet before maintaining or lubricating your saw.

### CLEAR DUST CHUTE/SCOOP

At times, thin cut-offs may fall through the table insert and down into the dust chute. These may accumulate and hamper dust collection. Your table saw is designed with a tool-free access Dust Chute/Scoop for quickly and easily clearing this space.

1. Loosen dust chute/scoop retainer screw (Fig. 62).
2. Remove the dust chute/scoop by sliding it away from the tool and use it to clear any debris.
3. Reattach dust chute/scoop and secure with retainer screw.

**⚠ WARNING** Tool should not be operated without securing dust chute/scoop properly with the retainer screw.

Do not allow sawdust to accumulate inside the saw. Frequently blow out any dust that may accumulate inside the saw cabinet, motor or blade elevation gears. Clean your cutting tools (i.e. blades) with a Gum and Pitch Remover.

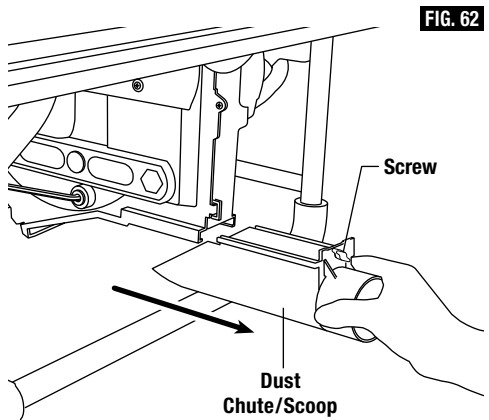
Periodically clean the guard. Wipe it or blow it clean with compressed air.

The cord and the tool should be wiped with a dry clean cloth to prevent deterioration from oil and grease.

**⚠ WARNING** Certain cleaning agents and solvents can damage plastic parts. Some of these are: gasoline, carbon tetrachloride, chlorinated cleaning solvents, ammonia and household detergents which contain ammonia. Avoiding use of these and other types of cleaning agents will minimize the possibility of damage.

A coat of automobile-type wax applied to the table will help to keep the surface clean and allow workpieces to slide more freely.

If the power cord is worn or cut, or damaged in any way, have it replaced immediately.





## Maintaining Your Table Saw

Make sure the teeth of the ANTIKICKBACK pawls are always sharp. To sharpen:

1. Remove blade guard.
2. Rotate the pawl toward rear of spreader so that teeth are above top of spreader.
3. Hold the spreader with the pawl over corner of a workbench (Fig. 63).
4. Using a small round file (Smooth Cut) sharpen the teeth.

**⚠ WARNING** All repairs, electrical or mechanical, should be attempted only by trained repairmen. Contact the nearest Factory Service Center or Authorized Service Station or other competent repair service. Use only identical replacement parts, any other may create a hazard.

**⚠ WARNING** To reduce the risk of injury, periodically check that all fasteners are attached and adjusted according to the assembly instructions included in this manual.

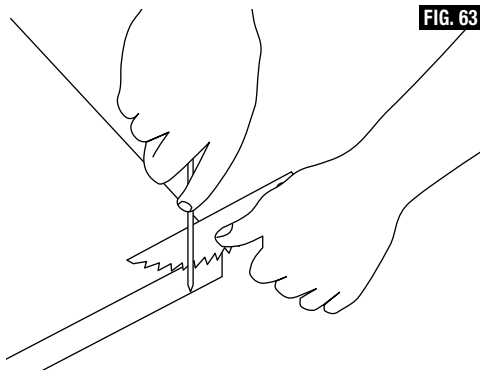


FIG. 63

### LUBRICATION

The gear case has been completely lubricated at the factory. However, after six months to one year, depending upon use, it's wise to return your tool to the nearest Service Center for the following:

- Brushes replaced.
- Parts cleaned and inspected.
- Relubricated with fresh lubricant.
- Electrical system tested.
- All repairs.

The following parts should be oiled occasionally with SAE No. 20 or No. 30 oil, or WD 40 (Fig. 64).

1. Elevation, support rods, and gears.
2. Sliding rails and supports.
3. Table locking cams (Front & Rear).

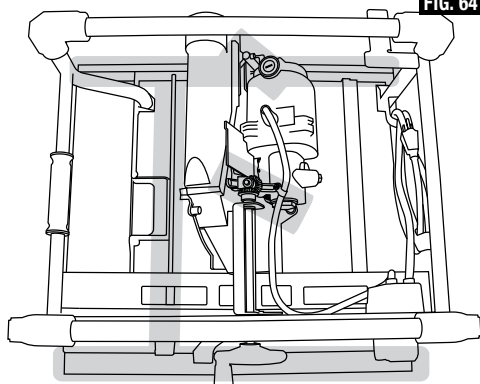


FIG. 64



## Maintaining Your Table Saw

### WORM DRIVE GEAR LUBRICATION

Your SKILSAW tool has been properly lubricated and is ready to use. However it is recommended that the gears be re-lubricated only with SKILSAW lubricant: No. 80111 (8 oz. tube).

Always check the oil level before using the saw. At a minimum, the oil should be changed once a year under heavy use, or after approximately 60 hours of use.

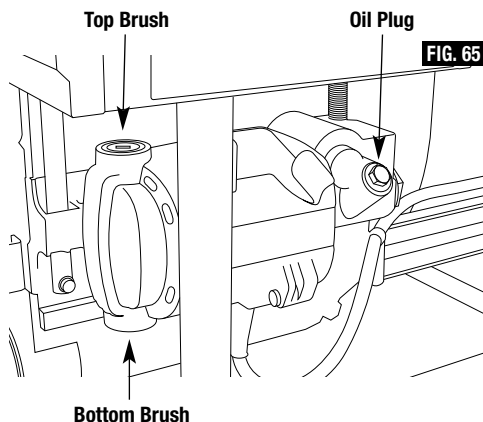
**To check and add oil:** Remove the plug from the power source. Move the blade to its lowest position. Place the saw on a flat, stable surface with the table facing upward (see Fig. 65). Remove oil plug using the 1/2" wrench. Check to ensure that the oil is not below the level of the threads.

**To replace the oil:** Place an oil catchment under the spigot and gently tip the table saw up so that the oil spigot is pointing down into the oil catchment and the handle is facing upwards. Allow the oil to drain out of the gear housing. Place the table saw back level on its feet. Using an oil refill pipette, refill the oil until it reaches the bottom threads of the housing. Do not over fill. Replace the oil plug when finished. Clean off any oil on the exterior surfaces of the tool prior to use.

**NOTE:** When checking the oil, if it is dirty or thick, replace the oil plug and run the saw for one minute to warm the oil. Then remove oil plug and turn saw upside down, to remove all oil. Add fresh SKILSAW lubricant (No. 80111). With a new saw, change the oil after the first ten hours of use.

### CARBON BRUSHES

The brushes and commutator in your tool have been engineered for many hours of dependable service. To maintain peak efficiency of the motor, it is recommended to examine the brushes every two to six months. The brushes should be free from dust and dirt. Brushes should be replaced when they have worn down to 3/16" in length. The brushes should slide freely in and out of the holders without sticking.



### To check brushes:

1. Disconnect plug from power source.
2. Move the blade to its lowest position.
3. To check top brush: Place the saw on a flat, stable surface with the table facing upward. To check bottom brush: Place the saw on a flat, stable surface with the Cord Wrap end facing upwards.
4. Loosen the brush cap on the motor housing by rotating it a 1/4 turn using a either a short screwdriver or a quarter, then finish removing the brush by hand. Note which way the brush faces, so that it can be returned to its original position.
5. Clean the brush holder opening with compressed air or a clean cloth.
6. Replace the brush and cap.

**WARNING** Only genuine SKILSAW replacement brushes specially designed for your tool should be used.

## Recommended Accessories

ITEM	CATALOG NO.
FOLDING STAND	SPT5003-FS
ZERO CLEARANCE INSERT	SPT5004-ZC
DADO INSERT 1/2"	SPT5005-DD

**WARNING** Use only recommended accessories. Follow instructions that accompany accessories. Use of improper accessories may cause hazards.

## Troubleshooting



**Turn switch “OFF” and always remove plug from the power source before trouble shooting.**

PROBLEM	CAUSE	SOLUTION
<b>Saw will not start</b>	Power cord is not plugged in.	Plug saw in.
	Fuse or circuit breaker tripped.	Replace fuse or reset tripped circuit breaker.
	Cord damaged.	Have cord replaced by an Authorized SKILSAW Service Center or Service Station.
	Burned out switch.	Have switch replaced by an Authorized SKILSAW Service Center or Service Station.
<b>Blade does not come up to speed</b>	Extension cord too light or too long.	Replace with adequate cord.
	Low supply voltage.	Contact your electric company.
<b>Excessive vibration</b>	Failure to tighten bevel lock handle.	See “Getting To Know Your Table Saw” section.
	Blade out of balance.	Discard Blade and use different blade.
	Saw not mounted securely to stand or workbench.	Tighten all mounting hardware, See “Mounting the Table Saw” section.
	Arbor Nut not tight.	See “Assembly” section, “Changing The Blade.”
<b>Cut binds, burns, stalls motor when ripping</b>	Dull blade with improper tooth set.	Sharpen or replace blade.
	Warped board.	Make sure concave or hollow side is facing “DOWN” and feed slowly.
	Rip fence not parallel to blade.	See “Adjustments” section “Aligning Rip Fence.”
	Riving knife out of alignment.	See “Adjustments” section, “Riving knife alignment.”
<b>Cut not true at 90° or 45° positions</b>	Alignment screws not adjusted properly.	See “Adjustments” section, “Adjusting Blade Parallel to Miter Gauge Slots.”
<b>Plastic melts or blade tips overheat when cutting</b>	Feedrate to high.	Slow feedrate through blade.
	Blades tip not sharp	Sharpen or replace blade
<b>Tilt lock handle elevation wheel hard to move</b>	Bevel lock handle not loosened when making tilt adjustment.	See “Getting To Know Your Table Saw” section, “Blade Tilt Lock Knob.”
	Saw dust on depth screw threads.	See “Maintaining Your Table Saw” section, “Lubrication.”
<b>Circuit breaker trips</b>	Circuit breaker trips repeatedly while cutting.	Replace the blade with a new blade. Reduce force applied to workpiece during cutting.

## Table des matières

	Page		Page
Consignes générales de sécurité . . . . .	48	Outils requis pour le montage et les réglages .	63
Consignes de sécurité pour les scies à table .	50	Assemblage . . . . .	64
Consignes de sécurité additionnelles . . . . .	53	Rangement, transport et montage . . . . .	70
Spécifications du moteur & alimentation électrique . . . . .	54	Réglages . . . . .	72
Symboles . . . . .	56	Fonctionnement basique de la scie à table . .	80
Lexique terminologique . . . . .	59	Coupe en long . . . . .	86
Familiarisez-vous avec votre scie à table . . .	60	Réalisation de feuillures . . . . .	90
Déballage et inspection du contenu . . . . .	62	Entretien de votre scie à table . . . . .	95
		Accessoires recommandés . . . . .	98
		Recherche de la cause des problèmes . . . . .	98

### **AVERTISSEMENT**

**Des travaux avec un outil électrique tels que le ponçage, le sciage, le meulage, le perçage et d'autres travaux de construction peuvent créer des poussières contenant des produits chimiques qui sont des causes reconnues de cancer, de malformation congénitale ou d'autres problèmes reproductifs. Ces produits chimiques sont, par exemple :**

- du plomb provenant de peinture au plomb,
- des cristaux de silices provenant des briques et du ciment, et d'autres produits de maçonnerie, et
- l'arsenic et le chrome provenant des bois traités chimiquement.

Le niveau de risque dû à de telles expositions varie en fonction de la fréquence de ces types

de travaux. Pour réduire l'exposition à ces produits chimiques, il est utile de travailler dans un lieu bien ventilé et de porter un équipement de sécurité approprié tel que certains masques à poussière conçus spécialement pour filtrer les particules microscopiques.

**Évitez tout contact prolongé avec la poussière produite par le ponçage, le sciage, le meulage, le perçage et d'autres activités de construction avec des outils électriques. Portez des vêtements de protection et lavez les surfaces de la peau ayant été exposées avec de l'eau et du savon. Si vous laissez de la poussière pénétrer dans votre bouche ou dans vos yeux, ou rester sur votre peau, cela risquerait de promouvoir l'absorption de produits chimiques toxiques.**

## Consignes générales de sécurité

**⚠ AVERTISSEMENT** Lisez toutes les consignes de sécurité, instructions, illustrations et spécifications fournies avec cet outil électrique. Le non-respect de toutes les instructions figurant ci-après pourrait causer un choc électrique, un incendie et/ou des blessures personnelles graves.

### CONSERVEZ TOUS LES AVERTISSEMENTS ET TOUTES LES INSTRUCTIONS POUR RÉFÉRENCE FUTURE.

Le terme « outil électrique » dans les avertissements fait référence à votre outil électrique à cordon électrique branché dans une prise secteur ou à votre outil électrique à piles (sans fil).

#### Sécurité de la zone de travail

**Gardez votre zone de travail propre et bien éclairée.** Des zones encombrées ou sombres sont propices aux accidents.

**N'utilisez pas des outils électriques dans une atmosphère explosive, par exemple en présence de liquides, de gaz ou de poussières inflammables.** Les outils électriques produisent des étincelles qui risquent de mettre feu aux poussières ou émanations de fumée.

**Faites en sorte que les enfants et les spectateurs soient à une distance appropriée pendant que vous utilisez un outil électrique.** Des distractions risqueraient de vous faire perdre le contrôle.

#### Sécurité électrique

**La fiche de l'outil électrique doit correspondre à la prise de courant.**

**Ne modifiez jamais les fiches de quelque façon que ce soit. N'utilisez pas d'adaptateurs de fiches avec des outils électriques mis à la terre/à la masse.** L'emploi de fiches non modifiées et de prises de courant correspondant naturellement aux fiches réduira le risque de choc électrique.

**Évitez tout contact de votre corps avec des surfaces mises à la terre telles que des surfaces de tuyaux, de radiateurs, de cuisinières et de réfrigérateurs.** Il existe un risque accru de choc électrique si votre corps est en contact avec la terre ou la masse.

**N'exposez pas d'outils électriques à la pluie ou à un environnement humide.** La pénétration d'eau dans un outil électrique augmentera le risque de choc électrique.

**N'utilisez pas le cordon de façon abusive. N'utilisez pas le cordon pour porter, tirer ou débrancher l'outil électrique. Tenez le cordon à distance de toute source de chaleur, d'huile,**

**de bords tranchants ou de pièces mobiles.** Des cordons endommagés ou entortillés augmentent le risque de choc électrique.

**Lorsque vous utilisez un outil électrique à l'extérieur, employez une rallonge de cordon appropriée pour une utilisation à l'extérieur.** L'utilisation d'un cordon approprié pour une utilisation à l'extérieur réduit le risque de choc électrique.

**S'il est inévitable d'utiliser un outil électrique dans un environnement humide, utilisez une alimentation protégée par un disjoncteur de circuit de fuite à la terre.** L'utilisation d'un tel circuit réduit le risque de choc électrique.

#### Sécurité personnelle

**Faites preuve de vigilance et de bon sens et observez attentivement ce que vous faites lorsque vous utilisez un outil électrique.**

**N'utilisez pas un outil électrique si vous êtes fatigué(e) ou sous l'influence de drogues, d'alcool ou de médicaments.** Un simple moment d'inattention pendant que vous utilisez un outil électrique pourrait causer une blessure grave.

**Utilisez des équipements de protection personnelle. Portez toujours des équipements de protection des yeux.** Des équipements de protection tels qu'un masque de protection contre la poussière, des chaussures de sécurité antidérapantes, un casque ou un dispositif de protection de l'ouïe utilisés en fonction des conditions réduiront le nombre des blessures.

**Comment prévenir une mise en marche accidentelle. Assurez-vous que l'interrupteur est dans la position d'arrêt (OFF) avant de connecter l'appareil à une source d'alimentation et/ou à un bloc-piles, de le soulever ou de le transporter.** Le fait de transporter des outils électriques avec le doigt sur l'interrupteur ou de mettre sous tension des outils électriques avec l'interrupteur en position de marche invite les accidents.

CONSERVEZ CES INSTRUCTIONS

## Consignes générales de sécurité

**Enlevez toute clé de réglage ou de serrage avant de mettre l'outil électrique sous tension.** Une clé laissée attachée à une pièce en rotation de l'outil électrique pourrait causer des blessures.

**Ne faites rien qui risquerait de vous faire perdre l'équilibre. Veillez à toujours garder un bon équilibre et un appui stable.** Ceci permet de mieux contrôler l'outil électrique dans des situations inattendues.

**Portez des vêtements appropriés. Ne portez pas de bijoux ou de vêtements amples. Gardez vos cheveux, vos vêtements et vos gants à une distance suffisante des pièces mobiles.** Les vêtements amples, bijoux ou cheveux longs pourraient être attrapés par des pièces mobiles.

**Si des dispositifs sont fournis pour la connexion de matériel d'extraction et de collecte de la poussière, assurez-vous qu'ils sont connectés et utilisés de façon appropriée.** L'emploi correct des accessoires de collecte de la poussière peut réduire les dangers associés à la poussière.

**Ne laissez pas la familiarité résultant de l'utilisation fréquente des outils vous inciter à devenir complaisant(e) et à ignorer les principes de sécurité des outils.** Une action négligente pourrait causer des blessures graves en une fraction de seconde.

### Utilisation et entretien de l'outil électrique

**N'imposez pas de contraintes excessives à l'outil électrique. Utilisez l'outil électrique approprié pour votre application.** L'outil électrique correct fera le travail plus efficacement et avec plus de sécurité à la vitesse pour laquelle il a été conçu.

**N'utilisez pas l'outil électrique si l'interrupteur ne s'ouvre pas et ne se ferme pas.** Tout outil électrique qui ne peut pas être contrôlé par son interrupteur est dangereux et doit être réparé.

**Débranchez la fiche de la prise de courant et/ou retirez le bloc-piles de l'outil électrique avant d'y apporter de quelconques modifications, de changer d'accessoire ou de ranger l'outil.** De telles mesures de sécurité préventives réduisent le risque de démarrage accidentel de l'outil électrique.

**Rangez les outils électriques qui ne sont pas utilisés activement hors de la portée des enfants, et ne laissez aucune personne n'ayant pas lu ces instructions et ne sachant pas comment utiliser de tels outils se servir de ces derniers.** Les outils électriques sont dangereux quand ils sont entre les mains d'utilisateurs n'ayant pas reçu la formation nécessaire à leur utilisation.

**Entretenez de façon appropriée les outils électriques et les accessoires. Assurez-vous que les pièces en mouvement sont bien alignées et qu'elles ne se coincent pas, qu'il n'y a pas de pièces cassées ou qu'il n'existe aucune situation pouvant affecter le fonctionnement de l'outil électrique. Si l'outil électrique est endommagé, faites-le réparer avant de vous en servir.** De nombreux accidents sont causés par des outils électriques mal entretenus.

**Gardez les outils de coupe tranchants et propres.** Des outils de coupe entretenus de façon adéquate avec des bords de coupe tranchants sont moins susceptibles de se coincer et sont plus faciles à contrôler.

**Utilisez l'outil électrique, les accessoires, les mèches, etc. conformément à ces instructions, en tenant compte des conditions de travail et de la tâche à accomplir.** L'utilisation de l'outil électrique pour des opérations différentes de celles pour lesquelles il est conçu pourrait causer une situation dangereuse.

**Gardez les poignées et les surfaces de préhension sèches, propres et exemptes de toute trace d'huile ou de graisse.** Les poignées et les surfaces de préhension glissantes ne permettent pas une manipulation et un contrôle sûrs de l'outil dans des situations inattendues.

### Service

**Faites entretenir votre outil électrique par un réparateur compétent n'utilisant que des pièces de rechange identiques.** Ceci assurera le maintien de la sécurité de l'outil électrique.

**CONSERVEZ CES INSTRUCTIONS**

## Consignes de sécurité pour les scies à table

### Avertissements concernant les dispositifs de protection

**Laissez les dispositifs de protection en place. Les dispositifs de protection doivent être en bon état de fonctionnement et être montés correctement.** Un dispositif de protection desserré, endommagé ou ne fonctionnant pas correctement doit être réparé ou remplacé.

**Utilisez toujours le dispositif de protection de la lame, le couteau séparateur et le dispositif de protection contre les chocs en retour pour chaque opération de coupe de bout en bout.** Pour les opérations de coupe de bout en bout dans le cadre desquelles la lame de scie coupe l'ouvrage sur toute son épaisseur, le dispositif de protection et les autres dispositifs de sécurité contribuent à réduire le risque de blessure.

**Rattachez immédiatement le système de protection à la fin de toute opération (comme la réalisation de feuillures, la coupe de rainures ou les coupes de resciage) qui nécessite le retrait du dispositif de protection, du couteau séparateur et/ou du dispositif de protection contre les chocs en retour.** Le dispositif de protection, le couteau séparateur et le dispositif de protection contre les chocs en retour contribuent à réduire le risque de blessure.


**Assurez-vous que la lame de la scie n'est pas en contact avec le dispositif de protection, le couteau séparateur ou l'ouvrage avant de mettre l'interrupteur en position de marche.** Un contact par inadvertance de ces éléments avec la lame de la scie pourrait causer une situation dangereuse.

**Ajustez le couteau séparateur tel que décrit dans le mode d'emploi.** Un espacement, positionnement ou alignement incorrect pourrait rendre le couteau séparateur inefficace et accroître ainsi le risque de choc en retour.

**Pour que le couteau séparateur et le dispositif de protection contre les chocs en retour fonctionnent, ils doivent être engagés dans l'ouvrage.** Le couteau séparateur et le dispositif de protection contre les chocs en retour ne sont pas efficaces pour couper des ouvrages qui sont trop courts pour être engagés avec le couteau séparateur et le dispositif de protection contre les chocs en retour. Dans ces conditions, un choc en retour ne peut pas être évité par l'action du couteau séparateur et du dispositif de protection contre les chocs en retour.

**Utilisez la lame de scie appropriée pour le couteau séparateur.** Pour que le couteau séparateur fonctionne correctement, le diamètre de la lame de la scie doit correspondre au couteau séparateur approprié, le corps de la lame de la scie doit être plus fin que l'épaisseur du couteau séparateur et la largeur de coupe de la lame de la scie doit être supérieure à l'épaisseur du couteau séparateur.

### Avertissement relatif aux procédures de coupe

 **Ne placez jamais vos doigts ou vos mains à proximité de la lame de la scie ou sur la trajectoire du trait de coupe.** Un moment d'inattention ou un dérapage de la lame pourrait mettre la lame de la scie en contact avec votre main et causer une blessure grave.

**Faites seulement avancer l'ouvrage contre la lame de la scie ou le couteau dans le sens opposé au sens de rotation.** Si vous faites avancer l'ouvrage dans le même sens que le sens de rotation de la lame de la scie au-dessus de la table, il est possible que l'ouvrage et votre main soient attirés vers la lame de la scie.

**N'utilisez jamais le guide d'onglet pour faire avancer l'ouvrage lors de coupes longitudinales, et n'utilisez pas le guide de refente comme butée longitudinale lors de coupes transversales avec le guide d'onglet.** Le fait de guider l'ouvrage avec le guide de refente et le guide d'onglet en même temps accroît le risque de voir la lame se coincer et causer un choc en retour.

**Lors d'une coupe longitudinale, appliquez toujours la force d'avancement de l'ouvrage entre le guide de refente et la lame de la scie. Utilisez un bâton poussoir lorsque la distance entre le guide de refente et la lame de la scie est inférieure à 150 mm, et utilisez un plateau poussoir lorsque cette distance est inférieure à 50 mm.** Les « accessoires de sciage » vous aideront à maintenir les mains à une distance suffisante de la lame de la scie.

**Utilisez seulement le bâton poussoir fourni par le fabricant ou un bâton poussoir construit conformément aux instructions.** Ca bâton poussoir assure une distance suffisante entre la main et la lame de la scie.

**N'utilisez jamais un bâton poussoir endommagé ou coupé.** Un bâton poussoir endommagé pourrait se casser et précipiter votre main vers la lame de la scie.

**CONSERVEZ CES INSTRUCTIONS**

## Consignes de sécurité pour les scies à table

**N'effectuez aucune opération de coupe « à main levée ». Utilisez toujours le guide de refente ou le guide d'onglet pour positionner et guider l'ouvrage.**

« à main levée » signifie que vous utilisez les mains pour soutenir ou guider l'ouvrage à la place d'un guide de refente ou d'un guide d'onglet. Scier à main levée entraîne un alignement incorrect, un risque de coincement de la lame et un risque de choc en retour en conséquence.

**Ne vous penchez jamais au-dessus ou autour d'une lame de scie en rotation.** Vous risqueriez d'entrer en contact accidentellement avec la lame de scie en mouvement.

**Placez un soutien auxiliaire pour l'ouvrage à l'arrière et/ou sur les côtés de la table de la scie pour les ouvrages longs et/ou larges afin de les garder de niveau.** Un ouvrage long et/ou large a tendance à pivoter sur le bord de la table, pouvant ainsi causer une perte de contrôle, le coincement de la lame de la scie et un choc en retour.

**Faites avancer l'ouvrage à une vitesse uniforme. Ne tordez pas l'ouvrage. En cas de coincement, éteignez l'outil immédiatement, débranchez l'outil et dégagez l'ouvrage coincé.** Le coincement de la lame de la scie dans l'ouvrage risquerait de causer un rebond ou choc en retour ou de faire caler le moteur.

**Ne retirez pas de morceaux de matériau coupé pendant que la scie tourne.** Le matériau peut se coincer entre le guide de refente, ou à l'intérieur du dispositif de protection de la lame de scie, et la lame de la scie, attirant ainsi vos doigts vers la lame de la scie. Éteignez la scie et attendez que la lame de la scie cesse de tourner avant de retirer l'ouvrage.

**Utilisez un guide auxiliaire en contact avec le dessus de la table lorsque vous coupez longitudinalement des ouvrages de moins de 2 mm d'épaisseur.** Un ouvrage très fin pourrait se coincer en dessous du guide de refente et entraîner un rebond ou choc en retour.

### Causes des rebonds/chocs en retour et avertissements associés

Le rebond (ou choc en retour) est une réaction soudaine de l'ouvrage produite par un pincement ou coincement de la lame de la scie, par un trait de coupe mal aligné sur l'ouvrage par rapport à la lame de la scie ou par le coincement d'une partie

de l'ouvrage entre la lame de la scie et le guide de refente ou un autre objet fixe.

Plus fréquemment, pendant un choc en retour, l'ouvrage est soulevé de la table par la partie arrière de la lame de la scie et est projeté en direction de l'opérateur.

Le rebond est la conséquence d'une utilisation incorrecte de la scie et/ou de conditions inappropriées ou de procédures opérationnelles incorrectes ; il peut être évité en prenant des précautions appropriées, comme indiqué ci-dessous.

**Ne vous tenez jamais directement sur la trajectoire de la lame de la scie. Positionnez toujours votre corps du même côté de la lame de la scie que le guide.** Le rebond peut propulser l'ouvrage à grande vitesse vers une personne se tenant devant la lame de la scie et sur sa trajectoire.

**Ne vous penchez jamais au-dessus ou à l'arrière d'une lame de scie pour tirer l'ouvrage ou pour le soutenir.** Un contact accidentel avec la lame de la scie peut se produire, ou un choc en retour peut attirer vos doigts vers la lame de la scie.

**Il ne faut jamais tenir un ouvrage, ou appuyer sur un ouvrage, qui est en train d'être coupé contre la lame de la scie en mouvement.** Le fait de pousser un ouvrage qui est en train d'être coupé contre la lame de la scie créera un risque de coincement qui pourrait résulter en un choc en retour.

**Alignez le guide pour qu'il soit parallèle à la lame de la scie.** Un guide mal aligné pincera l'ouvrage contre la lame de la scie et produira l'effet de rebond.

**Utilisez une planche à languettes pour guider l'ouvrage contre la table et le guide lorsque vous effectuez des coupes partielles comme des feuillures, des rainures ou des coupes de resciage.** Une planche à languettes aide à contrôler l'ouvrage en cas de choc en retour.

**Faites particulièrement attention lorsque vous faites une coupe dans une partie sans visibilité d'un ouvrage assemblé.** La lame de scie saillante pourrait couper des objets pouvant causer un choc en retour.

**Soutenez les grands panneaux pour minimiser les risques de pincement de la lame de la scie et de choc en retour.** Les grands panneaux ont tendance à s'affaisser sous leur propre poids. Les supports doivent être placés en dessous de toutes les parties du panneau qui dépassent la surface de la table.

**CONSERVEZ CES INSTRUCTIONS**



## Consignes de sécurité pour les scies à table

Faites tout particulièrement attention lorsque vous coupez un ouvrage qui est tordu, noueux ou déformé, ou qui n'a pas un bord droit pour le guider avec un guide d'onglet ou le long du guide de refente. Un ouvrage déformé, tordu ou noueux est instable et cause un défaut d'alignement du trait de coupe sur la lame de la scie, ce qui risque de causer un coincement de cette dernière et un choc en retour.

**Ne coupez jamais plus d'un ouvrage à la fois, et n'empilez les ouvrages ni verticalement, ni horizontalement.** La lame de la scie pourrait attraper un ou plusieurs morceaux de matériau et causer un choc en retour.

**Lorsque vous remettez une scie en marche dont la lame est engagée dans un ouvrage, centrez la lame de la scie sur le trait de coupe de manière que les dents de la scie ne soient pas engagées dans le matériau.** Si la lame de la scie se coince, elle risque de causer un soulèvement du matériau et causer un rebond au moment du redémarrage de la scie.

**Gardez les lames de scie propres et tranchantes, et conservez-en un nombre suffisant ; assurez-vous qu'elles sont correctement installées. N'utilisez jamais de lames de scie déformées ou de lames de scie ayant des dents fissurées ou cassées.** Des lames de scie tranchantes et correctement installées minimisent les risques de coincement, de blocage ou de choc en retour.

### **Avertissements relatifs à la procédure d'utilisation de la scie à table**

**Éteignez la scie de table et débranchez le cordon d'alimentation lorsque vous retirez l'élément amovible de la table, lorsque vous changez la lame de la scie ou lorsque vous procédez à un réglage du couteau séparateur, du dispositif de protection contre les chocs en retour ou du dispositif de protection de la lame de la scie, ainsi que quand la machine est laissée sans surveillance. La prise de mesures de précaution évitera les accidents.**

**Ne laissez jamais la scie à table en marche sans surveillance. Éteignez la scie et ne vous en éloignez pas avant qu'elle se soit complètement arrêtée.** Une scie en fonctionnement sans surveillance est un danger incontrôlé.

**Placez la scie à table dans un endroit bien éclairé et sur une surface plane, et assurez-vous que vous êtes dans une position solidement équilibrée quand vous l'utilisez. Elle doit être installée dans un endroit qui est assez spacieux pour vous permettre de manipuler votre ouvrage sans problème.** Les endroits exigus, mal éclairés et ayant des sols glissants invitent les accidents.

**Nettoyez fréquemment la sciure en dessous de la table de la scie et/ou videz régulièrement la poussière se trouvant dans le dispositif de collecte de la poussière.** La sciure accumulée est combustible et pourrait prendre feu spontanément.

**La scie à table doit être sécurisée.** Une scie à table mal sécurisée risquerait de glisser ou de se renverser.

**Retirez les outils, morceaux de bois, etc. de la table avant que la scie à table ne soit mise en marche.** Les distractions ou risques de coincement pourraient être dangereux.

**Utilisez toujours des lames de scie avec des trous d'arbre de taille et de forme appropriées (diamantée plutôt que ronde).** Les lames de scie qui ne correspondent pas au matériel de fixation de la scie se décentreront et causeront une perte de contrôle.

**N'utilisez jamais de moyens de fixation de lames de scie incorrects, comme des brides de fixation, des rondelles pour lames de scie, des boulons ou des écrous.** Ces moyens de montage ont été conçus spécialement pour votre scie, afin d'en assurer un fonctionnement sans danger et une performance optimale.

**Ne montez jamais sur la scie à table ; ne vous en servez pas comme d'un tabouret.** L'utilisateur s'expose à de graves blessures si l'outil est renversé ou entre accidentellement en contact avec son corps.

**Assurez-vous que la lame de la scie est installée de manière à tourner dans le sens correct. N'utilisez pas de meules abrasives, de brosses métalliques ou de meuleuses sur une scie à table.** Une installation inappropriée de la lame de la scie ou l'utilisation d'accessoires non recommandés pourrait causer des blessures graves.

**CONSERVEZ CES INSTRUCTIONS**



## Consignes de sécurité additionnelles

**FAITES EN SORTE QUE VOTRE ATELIER NE PRÉSENTE AUCUN RISQUE POUR LES ENFANTS** en installant des cadenas et des interrupteurs/disjoncteurs.

**N'utilisez que des accessoires recommandés.** N'utilisez que des accessoires recommandés par le fabricant de votre modèle. L'utilisation d'autres accessoires pourrait être dangereuse.

**N'utilisez aucune lame ou aucun autre type d'outil de coupe conçu pour une vitesse de rotation inférieure à 5 300 tr/min.** Risque de blessure grave.

**Assurez-vous que la lame et tous les autres outils de coupe, rondelles et écrous de fixation des arbres sont installés de façon appropriée.** Instructions de référence pour le retrait et l'installation de la lame.

**N'utilisez jamais la scie sans que l'élément amovible approprié ne soit en place.** Assurez-vous que l'élément amovible de la table est au niveau ou légèrement au-dessous de la surface de la table à l'avant et au niveau ou légèrement au-dessus à l'arrière de l'élément amovible.

**Inspectez toujours la scie à table avant toute nouvelle utilisation.** Si un élément quelconque de votre scie (p. ex., l'interrupteur du moteur ou une autre commande, un dispositif de sécurité ou le cordon d'alimentation) est absent, ne fonctionne pas correctement, a été endommagé ou est cassé, cessez immédiatement d'utiliser la scie jusqu'à ce que l'élément en question ait été réparé correctement ou remplacé.

**Votre scie peut couper le plastique et les matériaux composites (tels que les panneaux de fibres durs).** Toutefois, étant donné que ces matériaux sont en général très durs et glissants, il se peut que les taquets antirebond ne remplissent pas leur fonction et n'empêchent pas un rebond. Par conséquent, veillez particulièrement à respecter les consignes données pour les préparatifs de la coupe et pour la coupe en long. Ne vous tenez pas, et ne laissez personne se tenir, dans l'axe d'un rebond éventuel.

**Faites particulièrement attention lorsque l'ensemble du dispositif de protection est retiré pour rescier ou pour couper des rainures, des feuillures ou des moulures.** Remplacez le dis-

positif de protection dès que cette opération aura été achevée.

**Utilisez un support auxiliaire sur le guide d'onglet pour accroître la stabilité et le contrôle.** Les coupes transversales seront plus aisées et la sécurité sera meilleure si vous montez une planche de support auxiliaire pour l'ouvrage sur le guide d'onglet. Voir la rubrique consacrée au support auxiliaire pour le guide de refente.

**Évitez les opérations et les positions des mains maladroites.** Vos doigts ou vos mains risqueraient d'entrer en contact avec la lame de la scie ou tout autre outil de coupe s'ils venaient à glisser.

**Si le moteur cale ou si la lame de la scie se coince dans l'ouvrage, mettez l'interrupteur de la scie en position d'arrêt (« OFF »), dégagez l'ouvrage et assurez-vous que la lame de la scie est parallèle aux fentes ou aux rainures de la table et que le couteau séparateur est bien aligné sur la lame de la scie.** Si ceci se produit au cours d'une opération de coupe en long, vérifiez si le guide de refente est parallèle à la lame de la scie. Modifiez le réglage en suivant les instructions.

**La sécurité avant tout !** Pour assurer sa sécurité, l'utilisateur doit faire preuve à la fois de bon sens et de vigilance pendant tout le temps durant lequel il se sert de la scie à table.

**⚠ AVERTISSEMENT** Pendant leur fonctionnement, les outils électriques peuvent projeter des corps étrangers dans les yeux de leur utilisateur et lui infliger de graves blessures aux yeux. Portez toujours des lunettes de sécurité répondant à la norme ANSI Z87.1 (tel qu'indiqué sur l'emballage) avant de commencer à utiliser un outil électrique.



**Lisez attentivement tous les avertissements figurant sur votre scie à table avant de vous en servir à chaque fois.**

**CONSERVEZ CES INSTRUCTIONS**

## Spécifications du moteur & alimentation électrique

### Spécifications du moteur

En cas de problème de fonctionnement ou de panne, la mise à la terre fournit un chemin de fuite de moindre résistance pour le courant électrique afin de réduire le risque de choc électrique. Cet outil est muni d'un cordon électrique ayant un conducteur de mise à la terre d'équipement et une fiche de mise à la terre. La fiche doit être branchée dans une prise correspondante qui est installée correctement et mise à la terre conformément à tous les codes et arrêtés applicables. Cette scie est câblée pour fonctionner sur du courant alternatif de 120 volts, 60 Hz Avant de connecter le cordon du moteur à une source d'alimentation, assurez-vous que l'interrupteur est dans la position d'arrêt (« OFF ») et vérifiez que le courant électrique a les mêmes caractéristiques que celles qui sont estampées sur la plaque signalétique de la scie à table.

### Connexion à une source d'alimentation

Cette machine doit être mise à la terre pendant son utilisation afin de protéger son opérateur contre tout risque de choc électrique.

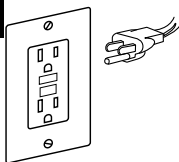
Branchez le cordon d'alimentation dans une prise de courant de 120 V mise à la terre correctement et protégée par un disjoncteur ou un fusible temporisé à élément double de 15 A.

Toutes les prises de courant ne sont pas toujours mises à la terre de façon appropriée. Si vous ne savez pas si votre prise de courant est correctement mise à la terre conformément à ce que vous voyez sur l'illustration de cette page, faites-la inspecter par un électricien professionnel.

**⚠ AVERTISSEMENT** Pour éviter tout risque de choc électrique, ne touchez pas les broches en métal sur la fiche lorsque vous installez la fiche dans la prise de courant ou lorsque vous l'en retirez.

### ⚠ AVERTISSEMENT

Si cet outil électrique n'est pas mis à la terre correctement, il existe un risque d'électrocution ou de choc grave, en particulier s'il est utilisé à proximité de canalisations ou d'autres objets en métal.



En cas de choc, votre réaction pourrait pousser vos mains qui entreraient alors en contact avec l'outil.

**⚠ AVERTISSEMENT** Si le cordon d'alimentation est usé ou coupé, ou endommagé de toute autre manière, faites-le remplacer immédiatement pour ne pas risquer de choc ou d'incendie.

Votre outil est conçu pour une utilisation sur un courant de 120 volts, et il est muni d'un cordon à trois conducteurs et d'une fiche avec mise à la terre agréés par Underwriters Laboratories et de l'Association Canadienne de Normalisation. Le conducteur de mise à la terre a une gaine verte et est attaché au boîtier de l'outil à une extrémité et à la broche de mise à la terre dans la fiche de l'attachement de l'autre côté.

Si la prise de courant que vous avez l'intention d'utiliser pour cet outil électrique est du type à deux broches, IL NE FAUT RETIRER OU ALTÉRER LA BROCHE DE MISE À LA TERRE EN AUCUNE MANIÈRE. Demandez à un électricien professionnel de remplacer la prise de courant à DEUX broches par une prise de courant à TROIS broches correctement mise à la terre. N'utilisez pas d'adaptateurs de fiches.

Une connexion incorrecte du conducteur de mise à la terre de l'équipement pourrait causer un risque de choc électrique. Le conducteur isolé avec une surface extérieure verte avec ou sans bandes jaunes est le conducteur de mise à la terre de l'équipement. Si la réparation ou le remplacement du cordon d'alimentation ou de la fiche électrique est nécessaire, ne connectez pas le conducteur de mise à la terre de l'équipement à une borne sous tension.

Consultez un électricien professionnel ou un membre du personnel d'entretien si les instructions de mise à la terre ne sont pas complètement comprises ou en cas de doute sur l'efficacité de la mise à la terre de l'outil.

### Cordons de rallonge

**⚠ AVERTISSEMENT** Remplacez immédiatement les cordons s'ils sont endommagés. L'utilisation de cordons endommagés peut causer un choc électrique ou une brûlure, et même peut-être une électrocution.

## Spécifications du moteur & alimentation électrique

**⚠ AVERTISSEMENT** Utilisez toujours des cordons de rallonge appropriés. Utilisez seulement des cordons de rallonge à trois fils ayant des fiches de mise à la terre à trois broches et des prises à trois trous pour recevoir la fiche de l'outil. Si un cordon de rallonge est nécessaire, un cordon avec des conducteurs de taille adéquate doit être utilisé pour empêcher une chute de tension excessive, une perte d'alimentation ou une situation de surchauffe. Le tableau montre la taille correcte à utiliser, en fonction de la longueur du cordon et de l'intensité nominale de l'outil indiquée sur la plaque signalétique. En cas de doute, utilisez le cordon de calibre immédiatement supérieur. Utilisez toujours des cordons de rallonge homologués U.L. et ACNOR.

### TAILLES RECOMMANDÉES POUR LES CORDONS DE RALLONGE POUR LES OUTILS À 120 VOLTS COURANT ALTERNATIF

Intensité nominale de l'outil	Taille du cordon en A.W.G.				Tailles des fils en mm <sup>2</sup>			
	Longueur du cordon (en pi)				Longueur du cordon (en m)			
	25	50	100	150	15	30	60	120
3-6	18	16	16	14	0.75	0.75	1.5	2.5
6-8	18	16	14	12	0.75	1.0	2.5	4.0
8-10	18	16	14	12	0.75	1.0	2.5	4.0
10-12	16	16	14	12	1.0	2.5	4.0	–
12-16	14	12	–	–	–	–	–	–





**REMARQUE :** Plus le chiffre du calibre est petit, plus le cordon est lourd.

# Symboles

## Symboles de sécurité

L'objectif des symboles de sécurité est d'attirer votre attention sur les dangers potentiels. Vous devez examiner attentivement et bien comprendre les symboles de sécurité et les explications qui les accompagnent. Les symboles d'avertissement en tant que tels n'éliminent pas le danger. Les consignes et les avertissements qui y sont associés ne remplacent en aucun cas des mesures préventives adéquates.

**⚠ AVERTISSEMENT** Assurez-vous de lire et de comprendre toutes les consignes de sécurité présentées dans le présent guide d'utilisation, notamment tous les symboles d'alerte de sécurité indiqués par « DANGER », « AVERTISSEMENT » et « MISE EN GARDE », avant d'utiliser cet outil. Le non-respect des consignes qui suivent peut entraîner un choc électrique, un incendie ou des blessures graves.

Les définitions ci-dessous décrivent le degré de gravité pour chaque mot-indicateur. Veuillez lire ce guide et prêter attention à ces symboles.	
	Voici le pictogramme d'alerte de sécurité. Il sert à vous indiquer les risques potentiels de blessures. Respectez toutes les consignes de sécurité associées à ce pictogramme pour éviter les risques de blessures ou de mort.
	DANGER indique un danger imminent qui, s'il n'est pas évité, causera des blessures graves ou la mort.
	AVERTISSEMENT indique un risque pouvant entraîner des blessures graves ou la mort s'il n'est pas prévenu.
	ATTENTION, utilisée avec le symbole d'alerte de sécurité, indique un risque potentiel qui, s'il n'est pas éliminé, provoquera des blessures mineures ou moyennement graves.

## Messages d'information et de prévention des dommages

Ces messages fournissent à l'utilisateur de l'information et des consignes importantes. Les ignorer pourrait occasionner des dommages à l'équipement ou d'autres dommages matériels. Le mot « AVERTISSEMENT » précède chaque message, comme dans l'exemple ci-dessous :

**AVIS** : Ne pas suivre ces consignes pourrait occasionner des dommages à l'équipement ou d'autres dommages matériels.



**⚠ AVERTISSEMENT** L'utilisation de tout outil électrique peut entraîner la projection de corps étrangers dans les yeux et ainsi causer des lésions oculaires graves. Avant d'utiliser un outil électrique, veillez à toujours porter des lunettes de sécurité couvrantes ou à écrans latéraux, ou un masque complet au besoin. Nous recommandons le port d'un masque de sécurité panoramique par-dessus les lunettes ou de lunettes de sécurité standard avec écrans latéraux. Portez toujours des protecteurs oculaires conformes à la norme ANSI Z87.1.








## Symboles (suite)

**IMPORTANT** : Les symboles suivants peuvent figurer sur votre outil. Familiarisez-vous avec eux et apprenez leur signification. En comprenant ces symboles, vous serez en mesure de faire fonctionner cet outil de façon adéquate et sécuritaire.

Symbole	Nom	Forme au long et explication
V	Volts	Tension (possible)
A	Ampère	Courant
Hz	Hertz	Fréquence (cycles par seconde)
W	Watt	Puissance
kg	Kilogrammes	Poids
min	Minutes	Durée
s	Secondes	Durée
Wh	Wattheures	Capacité de la pile
Ah	Ampères-heures	Capacité de la pile
Ø	Diamètre	Taille des forets, des meules, etc.
$n_0$	Vitesse à vide	Vitesse de rotation à vide
n	Vitesse nominale	Vitesse maximale atteignable
.../min	Tours ou va-et-vient par minute	Tours, coups, vitesse périphérique, orbites, etc., par minute
0	Position d'arrêt	Vitesse nulle, couple nul...
	Flèche	L'activation se fait dans le sens de la flèche
	Courant alternatif	Type de courant ou caractéristique de courant
	Courant continu	Type de courant ou caractéristique de courant
	Symbole de lecture du manuel	Invite l'utilisateur à lire le manuel
	Symbole du port de lunettes de sécurité	Invite l'utilisateur à porter des lunettes de protection
	Portez un masque	Recommandation pour que l'opérateur porte un masque de protection contre la poussière
	Portez des protecteurs d'oreilles	Recommandation pour que l'opérateur porte des protecteurs d'oreilles

## Symboles (renseignements en matière d'homologation)

**IMPORTANT** : Les symboles suivants peuvent figurer sur votre outil. Familiarisez-vous avec eux et apprenez leur signification. En comprenant ces symboles, vous serez en mesure de faire fonctionner cet outil de façon adéquate et sécuritaire.

Symbole	Forme au long et explication
	Ce symbole indique que cet outil est répertorié par Underwriters Laboratories.
	Ce symbole indique que cet outil est reconnu par Underwriters Laboratories.
	Ce symbole indique que cet outil est répertorié par Underwriters Laboratories, selon les normes américaines et canadiennes.
	Ce symbole indique que cet outil est répertorié par l'Association canadienne de normalisation.
	Ce symbole indique que cet outil est répertorié par l'Association canadienne de normalisation et qu'il est conforme aux normes américaines et canadiennes.
	Ce symbole indique que cet outil est répertorié par Intertek Testing et qu'il est conforme aux normes américaines et canadiennes.
	Ce symbole indique que cet outil est conforme aux normes mexicaines officielles (NOM).

## Lexique terminologique

**TAQUETS ANTI-REBOND** : « Doigts » à ressort qui engagent l'ouvrage alors qu'il avance contre la scie. Ils restreignent le mouvement de l'ouvrage et servent à empêcher que l'ouvrage ne soit projeté en direction de l'utilisateur.

**ARBRE** : L'axe sur lequel un outil de coupe est monté.

**BARRIÈRE DE PROTECTION** : Un ensemble qui consiste en la molette de montage et deux barrières latérales. Cet ensemble a pour objet de placer une barrière physique entre l'utilisateur et la lame de scie en mouvement.

**BISEAU** : Angle de la lame par rapport à la surface de la table.

**COUPE TRANSVERSALE** : Opération de coupe ou de mise en forme effectuée dans le sens de la largeur de l'ouvrage afin de couper l'ouvrage à la longueur voulue.

**RAINURE** : Coupe partielle produisant une entaille ou gorge de section carrée dans l'ouvrage.

**PLANCHE À LANGUETTES** : Dispositif qui peut aider à guider l'ouvrage pendant une opération de coupe de refente en maintenant l'ouvrage en contact avec le guide de refente. Elle contribue également à éviter les rebonds.

**COUPE À MAIN LEVÉE** : La réalisation d'une coupe sans guide longitudinal, guide d'onglet, système de fixation ou de retenue, ou autre dispositif visant à empêcher l'ouvrage de se tordre pendant la coupe pour qu'il ne présente pas de danger.

**GOMME** : Dépôt glutineux provenant de la sève des produits à base de bois. Une fois durci, ce dépôt est généralement appelé « RÉSINE ».

**DÉVIATION** : Défaut d'alignement de la lame qui a pour effet que le côté de fuite, ou de sortie, de la lame entre en contact avec la surface coupée de l'ouvrage. Cette déviation peut entraîner des rebonds ou le blocage de la machine, faire travailler le moteur à un régime trop élevé, provoquer un échauffement excessif de l'ouvrage ou faire que l'ouvrage se fende. D'une manière générale, une déviation de la lame empêche de réaliser des coupes propres et peut donner lieu à des situations dangereuses.

**TRAIT DE SCIE** : L'espace dans l'ouvrage où du matériau a été retiré par l'action de la lame.

**REBOND/CHOC EN RETOUR** : Saisie incontrôlée et projection de l'ouvrage vers le devant de la scie pendant une opération de coupe de refente.

**BORD D'ATTAQUE** : L'extrémité de l'ouvrage qui, pendant une opération de coupe de refente, est poussée en premier vers l'outil de coupe.

**MOULURE** : Coupe partielle d'une forme spéciale dans un ouvrage servant à l'assemblage ou à la décoration.

**COUPE PARTIELLE** : Toute opération de coupe lors de laquelle la lame ne traverse pas complètement l'ouvrage (p. ex., rainure, feuillure).

**PARALLÈLE** : Position du guide de refente égale en distance à chaque point du côté latéral de la lame de la scie.

**PERPENDICULAIRE** : Intersection à 90° (angle droit) ou position des plans vertical et horizontal telle que la position de la lame de la scie est verticale par rapport à la surface de la table (horizontale).

**PLATEAU POUSSOIR** : Accessoire utilisé lors d'opérations de coupe en long de pièces trop étroites pour que l'on puisse utiliser une baguette poussoir. Servez-vous d'un plateau poussoir lorsque la largeur de la pièce à refendre est inférieure à 5 centimètres.

**BAGUETTE POUSSOIR** : Accessoire servant à faire avancer l'ouvrage contre la lame lors d'opérations de coupe en long de pièces étroites de façon à ce que les mains de l'utilisateur demeurent à bonne distance de la lame. Servez-vous de la baguette poussoir lorsque la largeur de la pièce à refendre se situe entre 5 et 15 centimètres.

**FEUILLURE** : Une encoche dans le bord d'un ouvrage. On l'appelle parfois une rainure de bord.

**TOURS/MINUTE (TR/MIN)** : Nombre de révolutions accomplies par un objet en rotation pendant une minute.

**COUPE EN LONG** : Coupe pratiquée dans le sens de la longueur de l'ouvrage et à la largeur voulue.

**COUPEAU SÉPARATEUR OU ÉCARTEUR** : Dispositif qui maintient le trait de scie ouvert pendant la coupe du matériau de l'ouvrage. Ceci réduit le risque de voir l'ouvrage se coincer contre la lame de la scie.

**SMART GUARD** : Système comprenant trois éléments : Coupeau séparateur / diviseur, taquets anti-rebond et barrière de protection principale.

**COUPE DE BOUT EN BOUT** : Toute opération de coupe lors de laquelle la lame coupe toute l'épaisseur de l'ouvrage.

**OUVRAGE** : Pièce sur laquelle l'opération de coupe est effectuée. Les différentes surfaces d'un ouvrage sont communément appelées faces, extrémités et bords.

## Familiarisez-vous avec votre scie à table

### 1. INTERRUPTEUR

L'interrupteur incorpore un trou pour permettre son emploi avec un cadenas afin de prévenir une mise en marche accidentelle.

### 2. ROULETTE DE RÉGLAGE DE LA HAUTEUR

Élève ou abaisse la lame. Également utilisé pour incliner la lame de 0 à 45 degrés. La capacité de coupe à 0 degré est de 68 mm / 2-5/8 po. La capacité de coupe à 45 degré est de 48 mm / 1-7/8 po.

### 3. POIGNÉE DE VERROUILLAGE DU BISEAU DE LA LAME

Verrouille la lame à l'angle de biseau désiré.

### 4. ÉCHELLE DE BISEAU DE LA LAME

Montre le degré d'inclinaison de la lame. La plage totale des biseaux va de -1 à 46,5 degrés.

### 5. BASE

Supporte la scie à table. Des trous ont été pratiqués dans la base pour boulonner la scie sur un établi ou un autre support. Elle inclut une poignée de transport intégrée.

### 6. BAGUETTE POUSSOIR & RANGEMENT

Vous permet de couper de petits morceaux de matériau avec plus de sécurité.

### 7. POIGNÉE DE VERROUILLAGE DE RAIL

Vous permet de verrouiller le guide aux distances désirées.

### 8. SUPPORT D'OUVRAGE/GUIDE AUXILIAIRE

Fournit du soutien pour les ouvrages très larges lorsque le guide s'étend au-delà de la table.

### 9. GUIDE DE REFENTE

Fournit un soutien auxiliaire (dans la position du bas) et un soutien au-dessus de la table (position du haut). S'attache de façon sécurisée aux rails dans trois positions avec des verrous aux deux extrémités.

### 10. ÉCHELLE DE DISTANCE DU GUIDE DE REFENTE

Montre la distance entre la lame et le guide de refente – 63,5 cm / 25 po à droite.

### 11. SYSTÈME SMART GUARD

Se compose de trois éléments clés : Couteau séparateur (diviseur), taquets anti-rebond et barrière de protection. Tous ces éléments font partie d'un système modulaire qui ne nécessite aucun outil pour le montage ou le démontage. Ce système de protection doit toujours être en place et fonctionner correctement pour toutes les coupes de bout en bout.

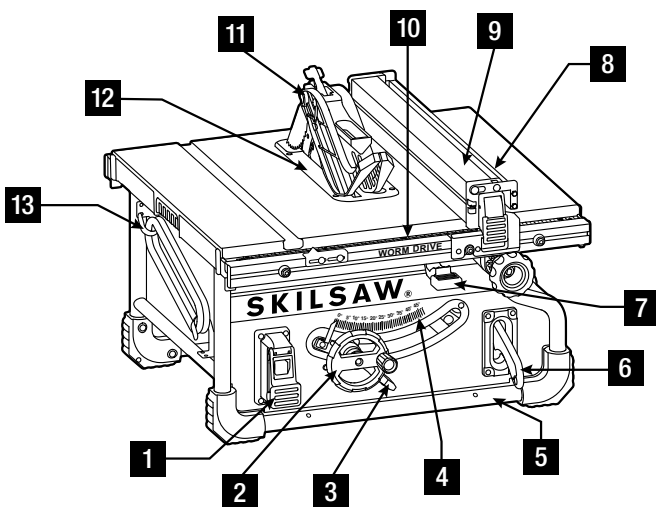
### 12. ÉLÉMENT AMOVIBLE DE TABLE

Peut être retiré pour permettre d'enlever ou d'installer une lame ou un autre outil de coupe.

### 13. AIRE D'ENROULEMENT DU CORDON

Elle vous permet de ranger le cordon de façon sécurisée pour qu'il ne pose pas de problème lors du transport ou du rangement.

FIG. 1





## Familiarisez-vous avec votre scie à table

### 14. TABLE

Fournit une grande surface de travail comme support pour un ouvrage.

### 15. GUIDE D'ONGLET

La tête peut être verrouillée dans la position désirée pour des coupes transversales ou un assemblage en onglet en serrant le bouton de verrouillage. **VERROUILLEZ TOUJOURS DE MANIÈRE SÉCURISÉE PENDANT QUE VOUS UTILISEZ L'OUTIL.**

### 16. RANGEMENT DES TAQUETS ANTI-REBOND

Aire de rangement pour les taquets anti-rebond quand ils ne sont pas utilisés, ou lors du transport ou du rangement de la scie à table.

### 17. RANGEMENT DU GUIDE DE REFENTE

Aire de rangement pour le guide de refente lors du transport ou du rangement de la scie à table.

### 18. RANGEMENT DU GUIDE D'ONGLET

Aire de rangement pour le guide d'onglet quand il n'est pas utilisé, ou lors du transport ou du rangement de la scie à table.

### 19. CLÉ HEXAGONALE & RANGEMENT

Clé hexagonale pour ajuster le couteau séparateur/diviseur et diverses têtes hexagonales sur la scie..

### 20. CLÉ & RANGEMENT

Clé pour le retrait et l'installation des lames de scie.

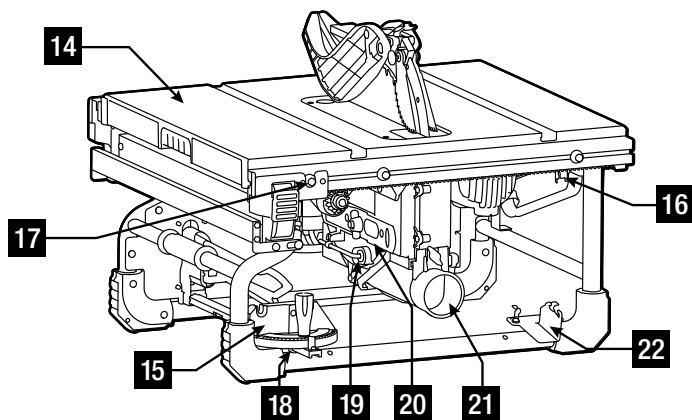
### 21. ORIFICE DE DÉPOUSSIÉRAGE/RACCORDÉMENT DE TUYAU D'ASPIRATEUR

Amovible pour permettre de retirer de grands morceaux de bois coincés à l'intérieur. Inspectez toujours pour vous assurer que l'orifice de dépoussiérage est bien sécurisé sur la scie à table avant de commencer à l'utiliser. Attachez un tuyau d'aspirateur de 2-1/4 po à l'orifice de dépoussiérage pour retirer plus facilement la sciure de bois.

### 22. RANGEMENT DU SYSTÈME SMART GUARD

Aire de rangement pour le système Smart Guard quand il n'est pas utilisé, ou lors du transport ou du rangement de la scie à table.

FIG. 2



## Familiarisez-vous avec votre scie à table

### CARACTÉRISTIQUES TECHNIQUES

Tension nominale	120 V C.A., 60 Hz
Intensité nominale de l'outil	15 A
Diamètre de la lame	8-1/4 po
Diamètre de l'arbre	(15,88 mm) (5/8 po)
Vitesse à vide	5300 tr/min
Capacité de biseau	Biseau -1° à 46,5°, avec butées à 0° et 45°
Profondeur de coupe à 90°	68 mm (2-5/8 po) minimum
Profondeur de coupe à 45°	48 mm (1-7/8 po)
Capacité de coupe en long sur le côté droit de la lame	63,5 cm (25 po)
Capacité de coupe en long sur le côté gauche de la lame	30,48 cm (12 po)
Longueur du cordon	1,8 m (6 pi)

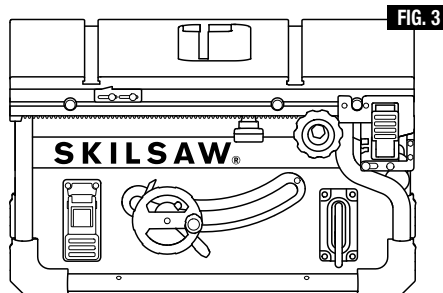
## Déballage et inspection du contenu

**AVERTISSEMENT** Pour éviter tout risque de blessure pouvant résulter d'une mise en marche accidentelle ou un choc électrique pendant le déballage et l'assemblage, ne branchez pas le cordon d'alimentation dans une prise de courant. Ce cordon doit rester débranché chaque fois que vous assemblez la scie à table ou que vous effectuez des réglages.

Séparez toutes les pièces des matériaux d'emballage et inspectez chacune d'entre elles en faisant référence à l'illustration et à la liste des pièces détachées afin de vous assurer que tous les composants sont présents avant de jeter de quelconques matériaux d'emballage (Fig. 3).

**AVERTISSEMENT** Si des pièces sont manquantes, ne tentez pas d'assembler la scie à table, de brancher le cordon d'alimentation ou de mettre l'interrupteur en marche avant d'avoir obtenu toutes les pièces et de les avoir installées correctement.

TABLEAU DES PIÈCES DÉTACHÉES		
ARTICLE	DESCRIPTION	QTÉ
1	Scie à table	1
3	Élément amovible de la table	1
4	Ensemble de barrière de protection	1
5	Taquets anti-rebond	1
6	Guide d'onglet	1
7	Baguette poussoir	1
11	Mode d'emploi	1



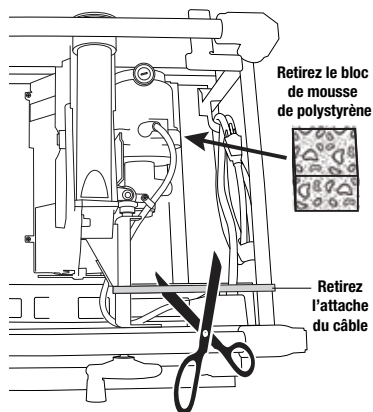
## Déballage et inspection du contenu

### RETIREZ L'ATTACHE DU CÂBLE ET LE BLOC DE MOUSSE DE POLYSTYRÈNE

(Utilisés à des fins d'expédition seulement)

Avec la surface de la table sur le sol, cherchez l'attache du câble qui assujettit l'ensemble de moteur/lame à la base. Utilisez des ciseaux ou un coupe-fil pour couper l'attache du câble, et retirez-la (Fig. 4).

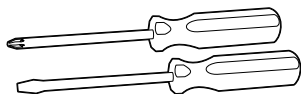
Relâchez la poignée de verrouillage de l'inclinaison de la lame, inclinez la lame à 45 degrés et retirez le bloc de mousse de polystyrène situé entre le boîtier du moteur et la table.



## Outils requis pour le montage et les réglages

**AVERTISSEMENT** Débranchez la fiche de la source d'alimentation avant de procéder à une quelconque opération de montage, de réglage ou de réparation afin d'éviter tout risque de blessure.

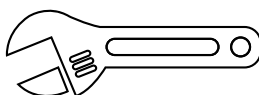
Tournevis cruciforme et à lame plate



Clé à lame (fournie)



Clé réglable ou clé de 1/2 po et clé de 11/16 po



Clé réglable ou clé de 1/2 po et clé de 11/16 po



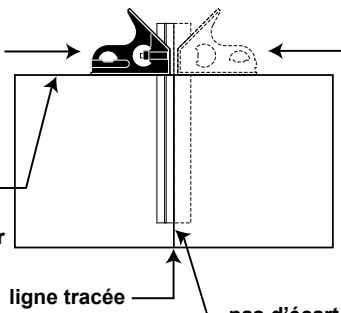
Équerre à combinaison



### L'ÉQUERRE À COMBINAISON DOIT ÊTRE EXACTE

1. Positionnez l'équerre est tracez une ligne droite

planche de 3/4 po avec bord supérieur droit



ligne tracée

pas d'écart ou de chevauchement

2. Renversez l'équerre (montrée en position pointillée)

3. Comparez le bord de l'équerre renversée avec la ligne tracée. Il ne devrait pas y avoir d'écart ou de chevauchement à l'extrémité du bas.

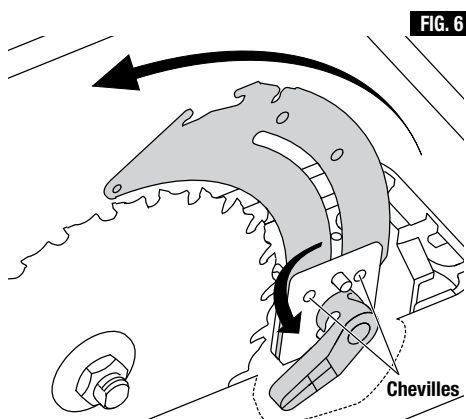
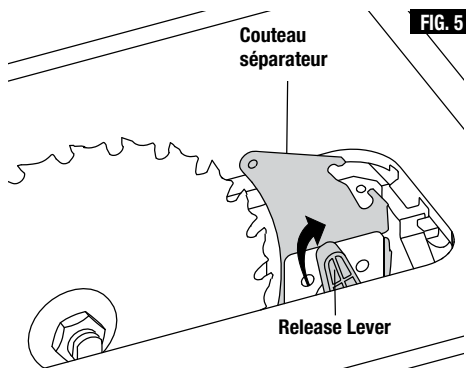
# Assemblage

## MONTAGE DU SYSTÈME SMART GUARD

**⚠ AVERTISSEMENT** Pour éviter tout risque de blessure, débranchez toujours la fiche de la source d'alimentation avant d'attacher ou de détacher le système Smart Guard.

### POSITIONNEMENT DU COUTEAU SÉPARATEUR

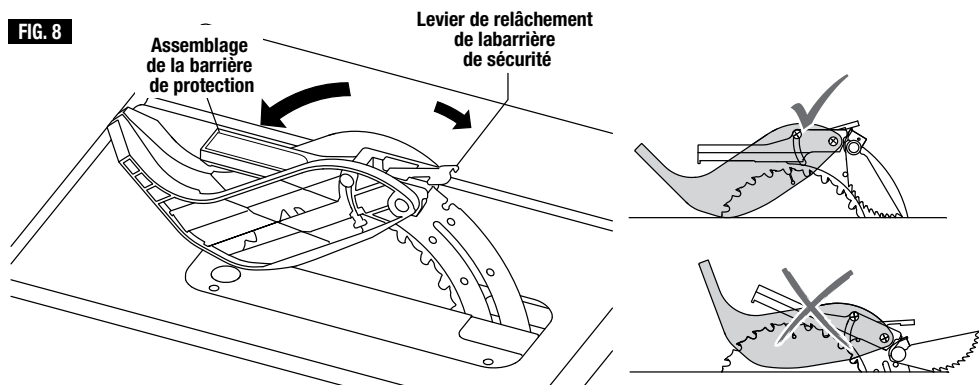
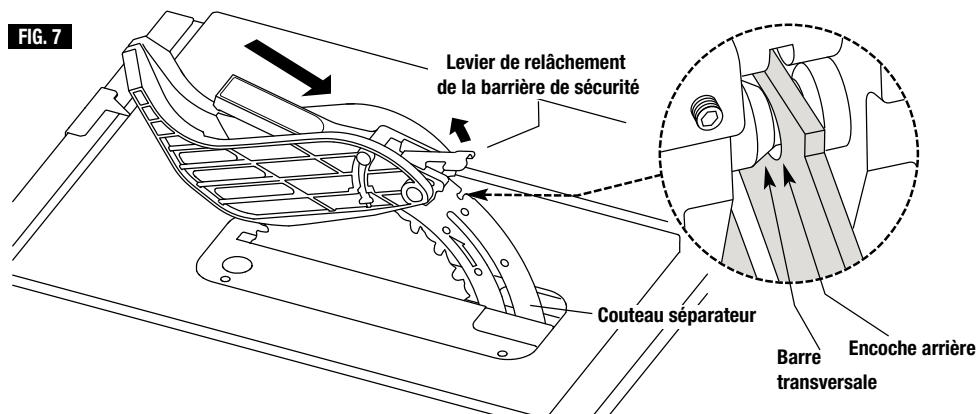
1. Retirez l'élément amovible de la table en utilisant le trou pour le passage d'un doigt.
2. Élevez la lame aussi haut qu'elle ira et installez-la perpendiculairement à la table (0° sur l'échelle graduée des biseaux) (Fig. 5).
3. Faites tourner le couteau séparateur dans le sens des aiguilles d'une montre de façon qu'il soit orienté vers le haut (Fig. 5).
4. Tirez le couteau séparateur vers le levier de relâchement afin de le libérer des chevilles.
5. Faites glisser le couteau séparateur jusqu'à sa position la plus élevée de façon qu'il soit directement au-dessus du centre de la lame (Fig. 6).
6. Alignez les orifices dans le couteau séparateur avec les chevilles et verrouillez le levier de relâchement en le faisant tourner dans le sens contraire des aiguilles d'une montre. Tirez/poussez le couteau séparateur en alternance pour vous assurer qu'il est bien verrouillé en place (Fig. 6).
7. Remettez l'élément amovible de la table en place.



# Assemblage

## MONTAGE DE L'ENSEMBLE DE BARRIÈRE DE PROTECTION

1. Tenez d'une main la partie avant de l'ensemble de barrière de protection par la « molette » en métal. De l'autre main, tenez le levier de relâchement de la barrière de sécurité en haut (Fig. 7).
2. Abaissez l'arrière de l'ensemble de barrière de protection et faites glisser la barre transversale dans l'encoche arrière en haut du couteau séparateur (Fig. 7).
3. Abaissez la partie avant de l'ensemble de barrière de protection jusqu'à ce que la « molette » en métal soit parallèle à la table (Fig. 8).
4. Appuyez sur le levier de libération de la barrière de protection jusqu'à ce que vous ressentiez et entendiez un dé clic indiquant que la position de verrouillage est atteinte. Vérifiez que l'ensemble de barrière de protection est raccordé solidement (Fig. 8).



## INSTALLATION DES TAQUETS ANTI-REBOND

**AVERTISSEMENT** Installez toujours les taquets anti-rebond sur le couteau séparateur ou écarteur avec le dispositif de protection lorsque vous effectuez des coupes de bout en bout. Remplacez les taquets anti-rebond émoussés

ou endommagés. Des taquets anti-rebond émoussés ou endommagés risqueraient de ne pas pouvoir empêcher un choc en retour, ce qui augmenterait le risque de blessure grave.

Les taquets anti-rebond ne doivent être installés que pour les coupes de bout en bout.

## Assemblage

1. Arrêtez la scie à table et débranchez le cordon d'alimentation.
2. Élevez la lame en tournant la roulette de réglage de la hauteur dans le sens des aiguilles d'une montre.
3. Installez le couteau séparateur ou écarteur avec le dispositif de protection.
4. Appuyez sur le bouton d'éjection du taquet et insérez la fente du joint de taquet dans l'encoche du couteau séparateur ou écarteur. Appuyez sur le joint (Fig. 9).

**REMARQUE** : Il peut être plus facile d'installer les taquets depuis l'avant de la scie.

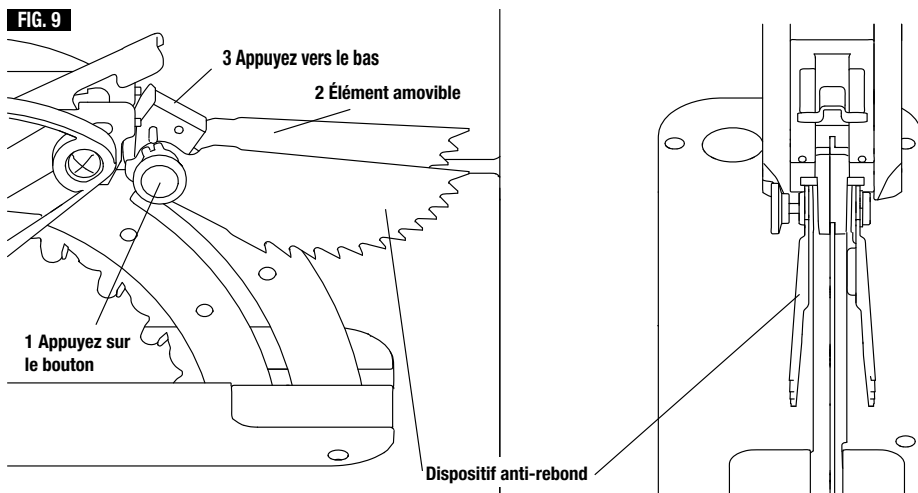
5. Tirez doucement sur le joint de taquet pour assurer qu'il est bien verrouillé en place. Assurez-vous que les taquets peuvent se déplacer librement et qu'ils ne sont pas engagés dans la fente de la plaque rainurée.

**REMARQUE** : Les deux accessoires sont indépendants l'un de l'autre. Les taquets anti-rebond peuvent être montés avant l'ensemble de barrière de protection.

### VÉRIFICATION DES BARRIÈRES DE PROTECTION

Vérifiez que les barrières de protection fonctionnent correctement tout au long de l'amplitude du mouvement : hauteur du biseau et de la lame :

1. Après avoir assemblé le Système Smart Guard, réglez la lame sur la hauteur maximum.



## Assemblage

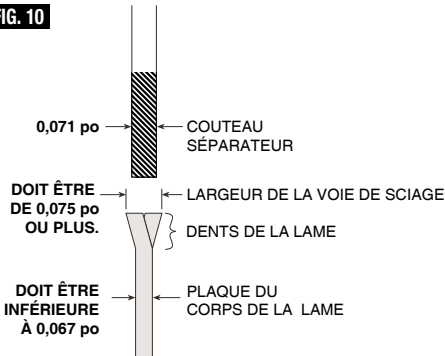
### RETRAIT ET INSTALLATION DE LA LAME

**AVERTISSEMENT** Débranchez la fiche de la source d'alimentation avant de procéder à une quelconque opération de montage, de réglage ou de réparation afin d'éviter tout risque de blessure.

### UTILISATION DE LA LAME CORRECTE

**IMPORTANT** : La lame de scie fournie sur cet outil a un diamètre de 21 cm / 8-1/4 po, une largeur de trait de scie à pointes au carbure de 0,079 po (pour la version de lame SKILSAW) ou de 0,094 po (pour la version de lame Diablo) et une épaisseur de plaque (corps) de 0,055 po (pour la version de lame SKILSAW) ou de 0,063 po (pour la version de lame Diablo). Lorsque vous aurez besoin de remplacer une lame, sélectionnez-en une dont les dimensions sont proches de celles de la lame d'origine. Cette information n'est peut-être pas imprimée sur l'emballage des lames. Si elle ne l'est pas, consultez le catalogue ou le site Web du fabricant. SKILSAW offre une gamme étendue de lames de scie professionnelles de qualité supérieure qui sont compatibles avec cet outil. Vous devez choisir une lame avec une largeur de trait de scie de 0,075 po ou plus et une plaque (corps) ayant une épaisseur de 0,067 po ou moins (Fig. 10).

FIG. 10



**AVERTISSEMENT** N'utilisez pas de lames de scie à voie extra-fine pour réduire le risque de blessure. Le trait de scie produit par la lame doit avoir une largeur de plus de 0,075 po. Des lames de scie dont la voie est extra-fine (moins de 0,075 po) peuvent avoir pour effet que l'ouvrage se coince contre le couteau séparateur / diviseur pendant la coupe. Il est recommandé que la voie de sciage de la lame de remplacement utilisée sur cette scie soit de 0,075 po ou plus.

**AVERTISSEMENT** Pour réduire le risque de blessure, n'utilisez pas de lames de scie fabriquées avec une plaque de corps épaisse. Si l'épaisseur de la plaque de la lame de scie de remplacement est supérieure à 0,067 po, le couteau séparateur / diviseur n'aidera pas réellement à réduire les risques de rebond. L'épaisseur de la plaque de la lame de scie de remplacement doit être inférieure à 0,067 po.

**AVERTISSEMENT** Pour réduire le risque de blessure, n'utilisez pas d'« amortisseurs », de « stabilisateurs » ou de « collets de raidissement » des deux côtés d'une lame de remplacement. Il s'agit de plaques en métal positionnées contre les côtés de la lame afin de réduire la déflexion qui peut survenir quand on utilise des lames de scie fines. L'utilisation de tels dispositifs des deux côtés rendrait impossible un alignement correct de la lame avec le couteau séparateur / diviseur, ce qui pourrait faire coincer l'ouvrage pendant la coupe. Une plaque « stabilisatrice » peut être placée seulement contre l'extérieur d'une lame de remplacement fine. Ces plaques ne sont pas requises avec la lame fournie.

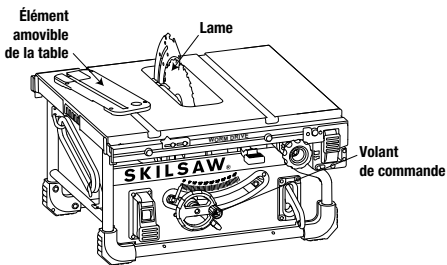
# Assemblage

## CHANGEMENT DE LA LAME

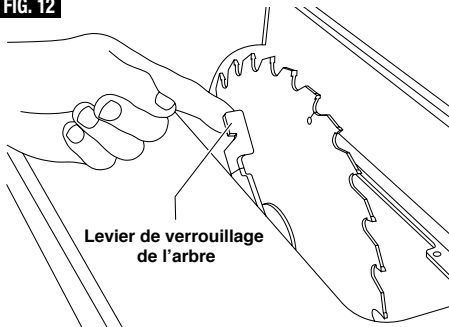
**REMARQUE :** Nettoyez tout excès d'huile pouvant se trouver sur la lame avant de l'installer.

1. Retirez l'élément amovible de la table (Fig. 11).
2. Élevez la lame à la hauteur maximum en tournant le volant de commande dans le sens des aiguilles d'une montre (Fig. 11).
3. Faites glisser le levier de verrouillage de l'arbre vers le haut et faites tourner lentement la lame à la main jusqu'à ce que le mécanisme de verrouillage soit totalement engagé avec l'arbre de la scie et arrête la rotation (Fig. 12).

**FIG. 11**



**FIG. 12**



4. Tout en engageant le levier de verrouillage de l'arbre, desserrez l'écrou de fixation de l'arbre dans le sens contraire des aiguilles d'une montre (vers l'avant de la table de la scie) au moyen de la clé fournie (Fig. 13).
5. Retirez l'écrou de fixation de l'arbre et la rondelle extérieure.
6. Nettoyez toute la sciure des deux rondelles de la lame avant d'installer la lame. Installez une lame de 210 mm / 8-1/4 po sur l'arbre de façon que les dents de la lame soient orientées vers l'avant de la scie.

**REMARQUE :** Les messages imprimés sur diverses lames de scie ne sont pas toujours du même côté.

Pour ne pas risquer de vous blesser, n'utilisez pas une lame d'un diamètre supérieur ou inférieur à 21 cm / 8-1/4 po et avec un arbre de 1,6 cm / 5/8 po.

7. Installez la bride de fixation contre la lame et enfillez l'écrou de fixation de l'arbre aussi loin que possible à la main. Assurez-vous que la lame est au ras de la bride de fixation de lame intérieure (Fig. 14).
8. Tout en soulevant le levier de verrouillage de l'arbre de façon sécurisée, serrez l'écrou de fixation de l'arbre dans le sens des aiguilles d'une montre (vers l'arrière de la table de la scie) au moyen de la clé (Fig. 13).
9. Positionnez l'élément amovible de la table dans la poche de la table de telle manière que les languettes de l'élément amovible de la table soient dans les fentes de la poche de la table ; appuyez sur l'élément amovible de la table et sécurisez-le en place.

Pour éviter tout risque de blessure pouvant résulter de la projection d'un ouvrage ou d'un morceau de lame, ou d'un contact avec la lame, n'utilisez jamais la scie sans que l'élément amovible ne soit à sa place. Utilisez l'élément amovible de la table pendant que vous sciez. Utilisez l'élément amovible de rainurage lorsque vous utilisez une lame à rainurer.



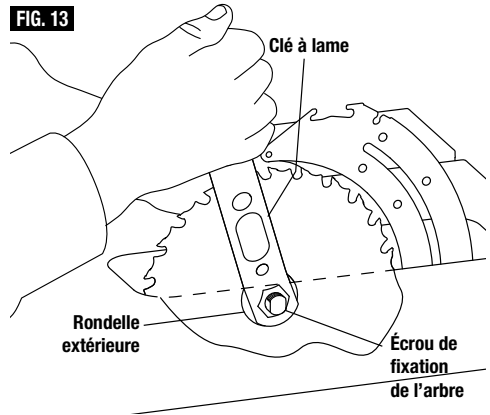
# Assemblage

## UTILISATION DE LAMES À POINTES AU CARBURE

Manipulez avec précaution les lames à pointes au carbure. Le carbure est très cassant et peut facilement être endommagé. Prenez des précautions lorsque vous installez, utilisez ou rangez les lames. N'utilisez pas une lame à pointes au carbure qui est tordue ou a des dents tordues, si la lame est fissurée ou cassée, ou si elle a des pointes au carbure manquantes/desserrées. Ne faites pas fonctionner une lame à pointes au carbure plus vite que sa vitesse recommandée. Lorsque vous sélectionnez une lame, assurez-vous que sa vitesse nominale est supérieure à 5 300 tr/min.

Lisez, comprenez et appliquez tous les avertissements et toutes les instructions fournis avec vos lames à pointes au carbure.

FIG. 13



## MONTAGE DU GUIDE DE REFENTE EN VUE DE SON UTILISATION

1. Assurez-vous que les leviers de verrouillage du guide de refente des deux côtés du guide sont dans la position déverrouillée.
2. Alignez l'encoche du support de fixation du guide de refente sur les têtes de boulons des rails de l'avant et de l'arrière. Vérifiez que le guide basculant sera du côté lame du guide principal quand il est dans sa position d'utilisation. Voir Fig. 15.
3. Abaissez le guide sur les rails et sécurisez les leviers de verrouillage des deux côtés du guide.
4. Vérifiez que la palette de verrouillage des rails est dans la position verrouillée avant de commencer à utiliser la scie.

FIG. 14

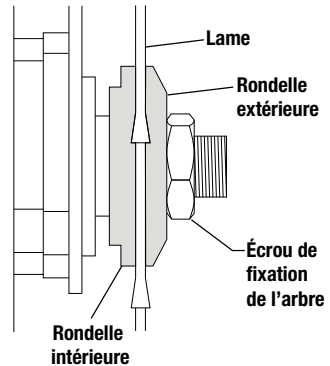
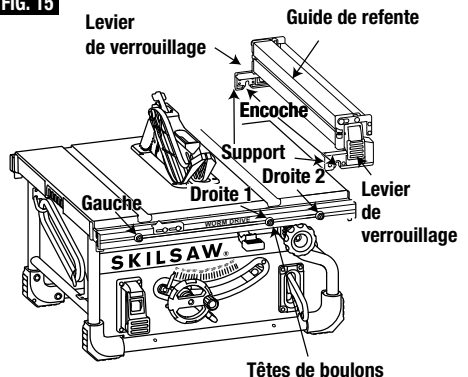


FIG. 15



## Rangement, transport et montage

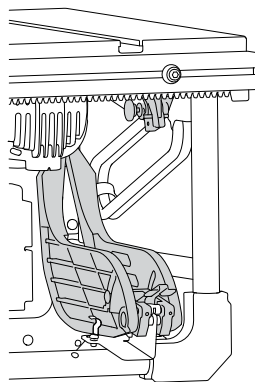
### RANGEMENT DU SYSTÈME SMART GUARD

Quand ils ne sont pas utilisés, la barrière de protection principale et les taquets anti-rebond peuvent être rangés sous la table.

L'utilisation de tous les composants du système Smart Guard, y compris la barrière de sécurité principale, les taquets anti-rebond et le couteau séparateur, est vivement recommandée afin de fournir une protection contre les risques d'accidents et de blessures.

1. Verrouillez l'ensemble de barrière de protection principale de la même manière que si vous l'attachez au couteau séparateur (Fig. 16).
2. Attachez les taquets anti-rebond au support de suspension de la même manière que si vous les attachez au couteau séparateur (Fig. 16).

FIG. 16a

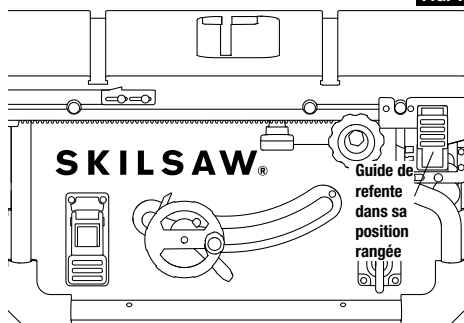


### RANGEMENT DU GUIDE DE REFENTE

Quand il n'est pas utilisé, le guide de refente peut être rangé sous l'extrémité droite de la table sur les rails.

1. Retirez le guide de sa position d'utilisation sur les rails.
2. Déverrouillez les rails et étendez-les d'environ 5 cm / 2 po vers la droite de la table. (Fig. 17).
3. Suspendez le guide sens dessus dessous en dessous des rails en utilisant les emplacements des boulons du côté droit comme indicateurs de position. Assurez-vous que le guide basculant est dans sa position de rangement.
4. Verrouillez les leviers de verrouillage à l'avant et à l'arrière.
5. Faites glisser doucement les rails vers le centre à nouveau jusqu'à ce que le guide soit proche du cadre de la scie à table, puis engagez le levier de verrouillage des rails.

FIG. 17

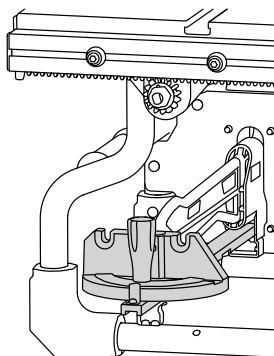


### RANGEMENT DU GUIDE D'ONGLET

Quand il n'est pas utilisé, le guide d'onglet peut être rangé sous le côté droit de la table.

1. Insérez l'extrémité avant du guide d'onglet dans la fente située au fond du porte-baguettes poussoir (Fig. 18).
2. Verrouillez l'extrémité base du guide d'onglet dans la pince située à l'arrière de la scie.

FIG. 18



# Rangement, transport et montage

## RANGEMENT DE LA SCIE À TABLE

Ne rangez l'outil que dans l'orientation (A) ou (B) illustrée à la Figure 19. Le rangement de l'outil dans toute autre orientation pourrait causer des dommages à l'outil.

## TRANSPORT DE LA SCIE À TABLE

1. Débranchez et enrroulez le cordon d'alimentation électrique.
2. Rangez tous les composants et abaissez la lame de la scie.
3. Soulevez et transportez la scie à table en la saisissant fermement par sa poignée de transport. Transportez la scie à table de manière à ce que le haut de la table soit orienté vers votre corps (Fig. 20).

## MONTAGE DE LA SCIE À TABLE

Si vous souhaitez installer la scie à table sur un chantier pendant une période prolongée, vous devez la fixer solidement sur une surface robuste, telle qu'un support ou un établi, à l'aide des quatre orifices de montage (Fig. 21).

Les quatre orifices de montage à travers l'embase sont orientés selon un angle de 45 degrés par rapport à l'horizontale pour une installation et un démontage rapides de la scie à table.

1. En cas de montage sur un établi, l'embase doit être fixée solidement avec des vis à bois de 6,35 mm (1/4 po) ou des tirefonds de 6,35 mm (1/4 po) (non fournis) en utilisant les orifices de montage.

**REMARQUE :** Assurez-vous que les vis à bois ou les tirefonds sont assez longs pour fixer solidement la scie à table à l'établi.

**AVERTISSEMENT** Prenez garde à ne pas vous blesser si les vis à bois ou les tirefonds pénètrent dans l'établi.

2. Percez des trous pilotes de 3,175 mm (1/8 po) de diamètre à travers l'établi, en utilisant l'un des orifices de montage de l'embase de la scie à table pour guider le perçage.
3. Vissez la fixation dans le trou pilote percé pour immobiliser la scie à table sur l'établi.
4. Répétez les étapes 2 et 3 pour les orifices de montage restants.

FIG. 19

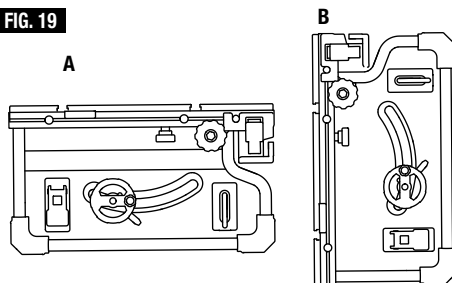


FIG. 20

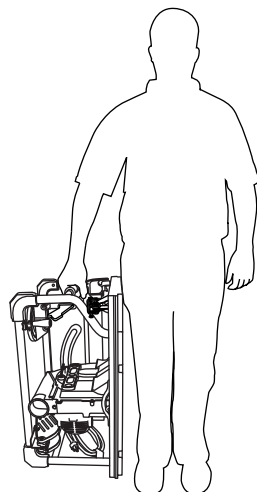
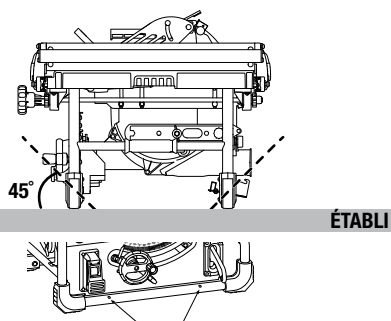


FIG. 21



Orifices de montage  
(À un angle de 45 degrés par rapport à l'horizontale)

# Réglages

## RÉGLAGE DES BUTÉES POSITIVES À 0 ET 45 DEGRÉS

Votre scie est pourvue de butées positives permettant de positionner rapidement la lame de la scie à 90 et 45 degrés par rapport à la table de façon très précise.

**AVERTISSEMENT** Pour éviter les blessures, débranchez toujours le cordon d'alimentation de la prise de courant avant de procéder à des réglages.

1. Tournez le volant de réglage de la hauteur dans le sens des aiguilles d'une montre et élevez la lame à sa hauteur maximum (Fig. 22).

### RÉGLAGE DE LA BUTÉE POSITIVE À 0 DEGRÉ

2. Desserrez la poignée de verrouillage de l'inclinaison de la lame et poussez le volant de réglage de la hauteur aussi loin que possible vers la gauche, puis serrez la poignée de verrouillage de l'inclinaison de la lame (Fig. 22).
3. Placez une équerre à combinaison sur la table avec une extrémité de l'équerre contre la lame comme illustré (Fig. 23), et vérifiez si la lame est à 90 degrés par rapport à la table. Si la lame n'est pas à 90 degrés par rapport à la table, desserrez la poignée de verrouillage de l'inclinaison de la lame, desserrez la vis de réglage à 90 degrés, desserrez la came de butée de biseau à 90 degrés et poussez le volant de réglage de la hauteur jusqu'à ce que la lame soit à 90 degrés par rapport à la table.
4. Serrez la poignée de verrouillage de l'inclinaison de la lame, tournez la came de butée du biseau jusqu'à ce qu'elle entre en contact avec le logement de la butée du biseau, puis serrez la vis de réglage à 90 degrés.
5. Desserrez la vis de réglage et ajustez l'indicateur pour produire une lecture de 0 degré sur l'échelle graduée des biseaux.

FIG. 22

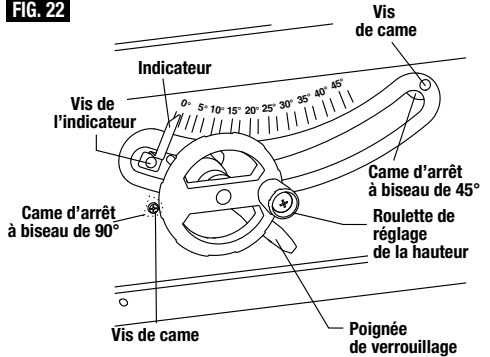
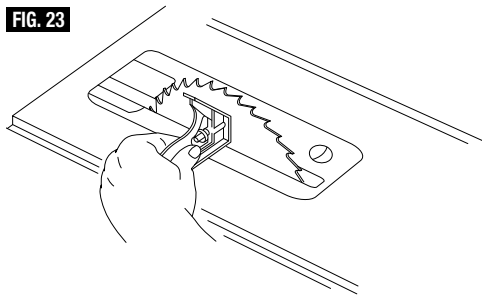


FIG. 23

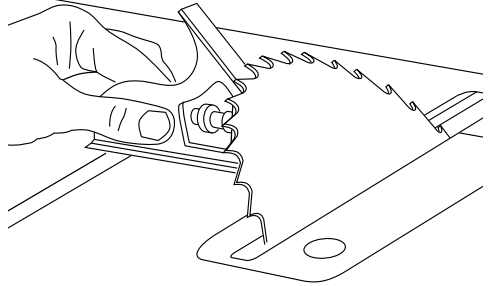


## Réglages

### RÉGLAGE DE LA BUTÉE POSITIVE À 45 DEGRÉS

6. Desserrez la poignée de verrouillage de l'inclinaison de la lame et poussez le volant de réglage de la hauteur aussi loin que possible vers la droite, puis serrez la poignée de verrouillage de l'inclinaison de la lame.
7. Placez une équerre à combinaison sur la table avec une extrémité de l'équerre contre la lame comme illustré (Fig. 24) et vérifiez que la lame est à 45 degrés par rapport à la table. Si la lame n'est pas à 45 degrés par rapport à la table, desserrez la poignée de verrouillage de l'inclinaison de la lame, desserrez la vis de réglage à 45 degrés, desserrez la came de butée de biseau à 45 degrés et poussez le volant de réglage de la hauteur jusqu'à ce que la lame soit à 45 degrés par rapport à la table.
8. Serrez la poignée de verrouillage de l'inclinaison de la lame, tournez la came de butée du biseau à 45 degrés jusqu'à ce qu'elle entre en contact avec le logement de la butée du biseau, puis serrez la vis de réglage à 45 degrés.

FIG. 24



**REMARQUE :** Votre SPT99 est capable d'atteindre un biseau de 47 degrés à gauche et de -1 degré à droite. Pour atteindre ces points, suivez la procédure ci-dessus et réinitialisez les butées selon les besoins.

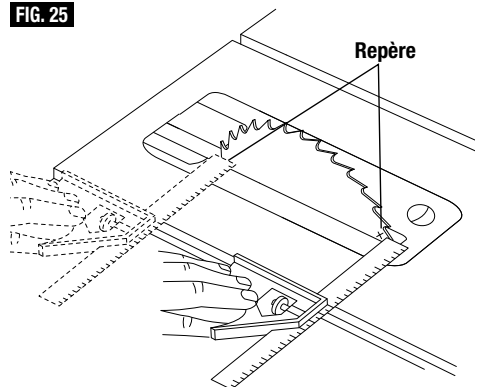
### RÉGLAGE DU PARALLÉLISME DE LA LAME PAR RAPPORT AUX RAINURES DU GUIDE D'ONGLET

Le parallélisme de la lame par rapport aux rainures du guide de coupe angulaire a été ajusté à l'usine. Il est nécessaire de contrôler ce réglage pour pouvoir réaliser des coupes précises tout en réduisant le risque de rebond. Si un réglage se révèle nécessaire, suivez la procédure ci-dessous.

**AVERTISSEMENT** Pour éviter les blessures, débranchez toujours le cordon d'alimentation de la prise de courant avant de procéder à des réglages.

1. Tournez le volant de réglage de la hauteur afin d'élever la lame au maximum.
2. Choisissez un point sur le corps de la lame de la scie qui est orienté vers la gauche quand on regarde la lame depuis l'avant de la scie, et faites-y une marque au crayon (Fig. 25).

FIG. 25



## Réglages

- Faites tourner la lame et vérifiez la position de ce même point sur la lame de la scie à l'avant de la table (Fig. 25).
- Si les mesures à l'avant et à l'arrière illustrées à la Figure 25 ne sont pas identiques, identifiez le côté avec l'écart. Utilisez la clé hexagonale fournie avec votre scie pour desserrer les deux boulons d'alignement situés sur le côté avec l'écart. Il y a quatre boulons d'alignement qui sont situés au-dessous de l'avant et de l'arrière du dessus de table de l'outil (Fig. 26 & 27). Déplacez avec précaution le chariot inférieur contenant la lame de la scie jusqu'à ce qu'elle soit parallèle à la rainure du guide d'onglet, et serrez ensuite à nouveau fermement les quatre boulons. Si le parallélisme est toujours incorrect, desserrez tous les quatre boulons et recommencez.

FIG. 26

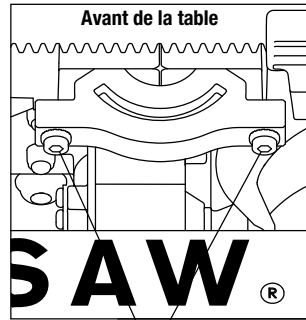
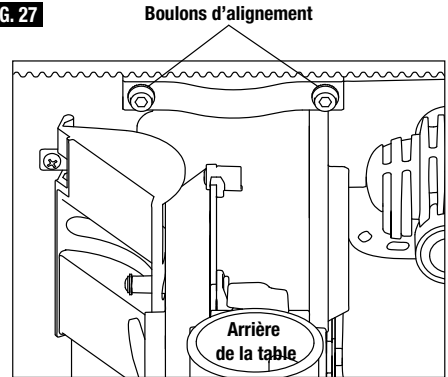


FIG. 27



### ALIGNEMENT DU GUIDE DE REFENTE

**AVERTISSEMENT** Pour éviter les blessures, débranchez toujours le cordon d'alimentation de la prise de courant avant de procéder à des réglages.

Le guide a été aligné correctement sur la lame dans les trois positions à l'usine et ne devrait pas nécessiter de réglage. Cette section n'est incluse qu'à des fins de maintenance ou lorsque l'alignement du guide est altéré à la suite d'un choc. Le guide de refente doit être parallèle à la lame de la scie afin de prévenir les REBONDS lors des opérations de coupe en long.

Votre scie à table est munie d'un guide de refente à pignon et crémaillère à plusieurs positions. Une fois que les réglages ci-dessous auront été effectués, le guide de refente s'alignera

automatiquement au moment de son verrouillage dans l'une de trois positions possibles. Les trois positions possibles du guide de refente doivent être alignées parallèlement à la lame. Lorsque vous déplacez le guide de refente, assurez-vous que vous déverrouillez et reverrouillez le guide au moyen de la poignée de verrouillage du rail et que vous utilisez le bouton de contrôle du rail avant pour ajuster la position du guide.

**REMARQUE :** La lame doit être parallèle aux rainures du guide d'onglet (voir la rubrique « Réglage de la lame parallèlement aux fentes du guide d'onglet ») et perpendiculaire à la table avant de pouvoir commencer à aligner le guide de refente.

## Réglages

**AVERTISSEMENT** Pour éviter tout risque de blessure, assurez-vous toujours que le guide de refente est verrouillé avant de réaliser une coupe de refente.

1. Soulevez les deux barrières de protection pour les mettre dans leur position haute verrouillée (Fig. 28).
2. Tournez le volant de réglage de la hauteur afin d'élever la lame au maximum.
3. Alignez la lame sur les fentes du guide d'onglet conformément aux instructions : RÉGLAGE DU PARALLÉLISME DE LA LAME PAR RAPPORT AUX FENTES DU GUIDE D'ONGLET.
4. **Côté droit, position 1 (près de la lame), voir Fig. 30.**

**REMARQUE :** La position à droite 1 pour le guide permet des coupes de 0 à 20,5 po du côté droit de la lame. L'échelle du haut montre cette dimension. À cet endroit, le guide basculant doit être à gauche du guide principal quand il est dans la position auxiliaire du guide (le plus près de la lame).

- a. Loosen the right side position 1 bolts on the front and back rails so that they can slide freely, approximately 1/2 to 1 turn. Move the bolts to the right by approximately 1/8 inch.
- b. Placez le guide sur les boulons en position 1, mais ne sécurisez pas les verrous sur le rail avant ou arrière.
- c. Déplacez les rails de façon que l'indicateur de position s'aligne sur le 0 sur l'échelle du haut. Verrouillez les rails en place en utilisant la palette de verrouillage des rails. Si des taquets anti-rebond sont installés, vous devrez élever le côté droit pour pouvoir aligner le guide sur la lame.
- d. Faites glisser le guide avec les vis de l'avant et de l'arrière vers la lame jusqu'à ce que le guide entre en contact avec les dents de la lame à l'avant et à l'arrière de la lame.
- e. Serrez le boulon avant. Vérifiez que le guide est toujours en contact avec les dents de l'avant et de l'arrière de la lame.
- f. Serrez le boulon arrière. Vérifiez que le guide est toujours en contact avec les dents de l'avant et de l'arrière de la lame.
- g. Verrouillez les brides de fixation du guide sur les rails et assurez-vous que le guide est toujours en contact avec les dents de l'avant et de l'arrière de la lame.

FIG. 28

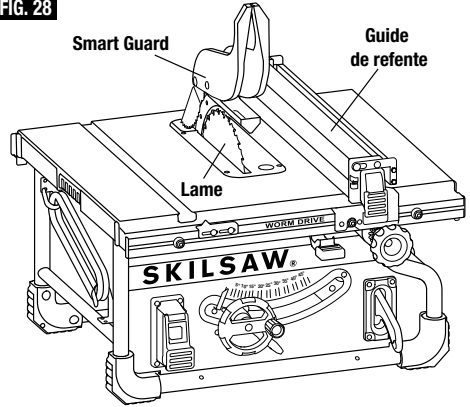
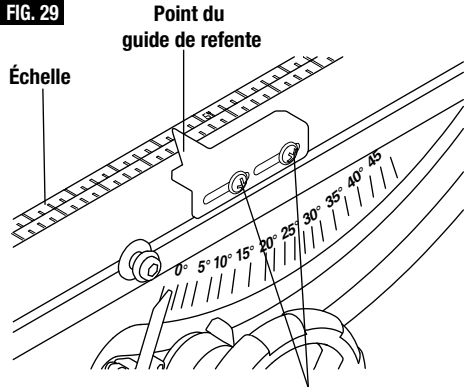
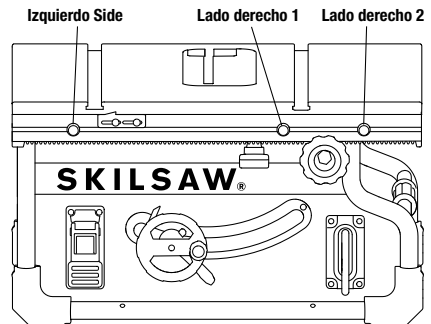


FIG. 29



Vis de réglage de l'indicateur

FIG. 30



## Réglages

### 5. Côté droit, position 2 (plus loin de la lame), voir Fig. 30.

**REMARQUE :** La position à droite 2 pour le guide permet des coupes de 4 à 25 po du côté droit de la lame. L'échelle du bas montre cette dimension. À cet endroit, le guide basculant doit être à gauche du guide principal quand il est dans la position de soutien de l'ouvrage (le plus près de la lame).

- a. Déverrouillez les brides de fixation du guide et retirez le guide.
- b. Desserrez les 2 boulons de position à droite sur les rails avant et arrière pour qu'ils puissent glisser librement, d'environ 1/2 tour à un tour.
- c. En utilisant les trous d'alignement du guide dans la clé à lame, placez la clé au-dessus du boulon en position à droite 1 sur le rail avant (déjà fixé en place lors de l'étape 4 ci-dessus) avec le second trou aligné approximativement sur le boulon en position à droite 2.
- d. Déplacez le boulon en position à droite 2 jusqu'à ce que la clé à lame glisse au-dessus de la tête du boulon.
- e. Serrez le boulon en position à droite 2.
- f. Exécutez les étapes c à e pour le boulon du rail arrière.

### 6. Côté gauche, voir Fig. 30.

**REMARQUE :** La position à gauche pour le guide permet des coupes de 0 à 12 po du côté gauche de la lame. L'échelle ne montre pas cette dimension. À cet endroit, le guide basculant doit être à droite du guide principal quand il est dans la position de soutien de l'ouvrage ou dans la position auxiliaire du guide (le plus près de la lame).

- a. Desserrez les boulons de gauche sur les rails avant et arrière pour qu'ils puissent glisser librement, d'environ 1/2 tour à un tour. Déplacez les boulons pour qu'ils soient à environ 3,5 po de l'extrémité gauche des rails.

- b. Placez le guide sur les boulons de gauche, mais ne sécurisez pas les verrous sur le rail avant ou arrière.
- c. Déplacez les rails de telle sorte que le guide soit en contact avec au moins une dent sur la lame. Verrouillez les rails en place en utilisant la palette de verrouillage des rails. Si des taquets anti-rebond sont installés, vous devrez élever le côté droit pour pouvoir aligner le guide sur la lame.
- d. Faites glisser le guide avec les vis de l'avant et de l'arrière vers la lame jusqu'à ce que le guide entre en contact avec les dents de la lame à l'avant et à l'arrière de la lame.
- e. Serrez le boulon avant. Vérifiez que le guide est toujours en contact avec les dents de l'avant et de l'arrière de la lame.
- f. Serrez le boulon arrière. Vérifiez que le guide est toujours en contact avec les dents de l'avant et de l'arrière de la lame.
- g. Verrouillez les brides de fixation du guide sur les rails et assurez-vous que le guide est toujours en contact avec les dents de l'avant et de l'arrière de la lame.

### POUR RÉGLER L'INDICATEUR DU GUIDE DE REFENTE :

1. Soulevez les deux barrières de protection pour les mettre dans leur position haute verrouillée.
2. Placez le guide sur les boulons en position à droite 1 et verrouillez les brides de fixation du guide à l'avant et à l'arrière.
3. Soulevez la palette de verrouillage des rails et faites glisser le guide jusqu'à ce qu'il soit placé le long de la lame de la scie, en soulevant le taquet du côté droit au-dessus du guide. Verrouillez les rails en place.
4. Desserrez la vis de réglage de l'indicateur, réglez l'indicateur sur la marque « 0 » de l'échelle inférieure, puis resserrez la vis.



## Réglages

### ALIGNEMENT DU COUTEAU SÉPARATEUR IMPORTANT :

Le couteau séparateur doit toujours être aligné sur la lame de la scie. Le couteau séparateur est plus mince que la largeur du trait de scie d'environ trois épaisseurs de feuilles de papier de chaque côté (Fig. 31).

**Remarque :** Le trait de scie est la largeur de la coupe effectuée dans l'ouvrage par les dents sur la lame de la scie.

**AVERTISSEMENT** Pour éviter les blessures, débranchez toujours le cordon d'alimentation de la prise de courant avant de procéder à des réglages ainsi que lorsque vous attachez ou retirez le système Smart Guard.

### VÉRIFICATION DE L'ALIGNEMENT DU COUTEAU SÉPARATEUR

**AVERTISSEMENT** Vérifiez périodiquement l'alignement du couteau séparateur sur la lame et effectuez des réglages selon les besoins. Un couteau séparateur mal aligné pourrait rendre l'ouvrage instable et causer une perte de contrôle et un effet de REBOND. Si le couteau séparateur est mal aligné et s'il n'est pas possible de réaliser un alignement correct, ne tentez pas de vous servir de la scie. Demandez à un technicien de service qualifié d'effectuer un alignement du couteau séparateur.

1. Vérifiez que la lame est alignée correctement, parallèlement à la rainure du guide d'onglet, conformément aux instructions figurant sous la rubrique « Réglage du parallélisme de la lame par rapport aux rainures du guide d'onglet », et ajustez la position de la lame le cas échéant.

Vérifiez que le guide de refente est aligné sur la lame (voir les instructions figurant sous la rubrique « Alignement du guide de refente ») et ajustez la position du guide de refente si nécessaire.

2. Élevez la lame de la scie à la hauteur maximum. Élevez le couteau séparateur dans sa position la plus élevée possible (voir les instructions figurant sous la rubrique « Positionnement du couteau séparateur »). Retirez les taquets anti-rebond et l'ensemble de barrière de protection du couteau sépara-

teur. Retirez l'élément amovible de la table. (Fig. 32)

3. Placez le guide de refente sur le côté gauche de la table. Faites glisser le guide de refente avec précaution contre la lame pour que le guide soit parallèle à la lame et effleure seulement les pointes des dents de la scie. Verrouillez le guide de refente et assurez-vous que la lame à l'avant et à l'arrière est toujours en contact avec le guide de refente (Fig. 32).

FIG. 31

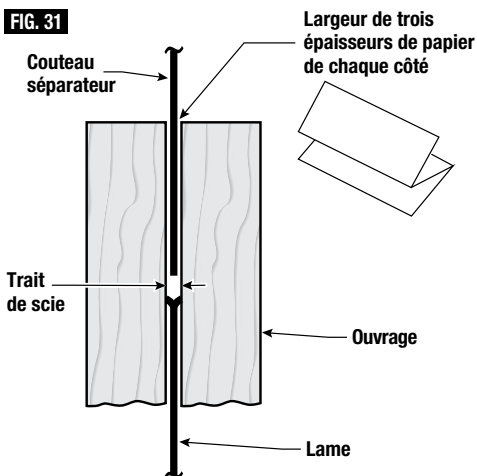
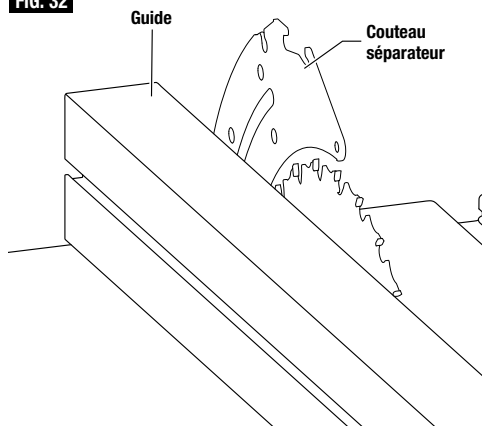


FIG. 32



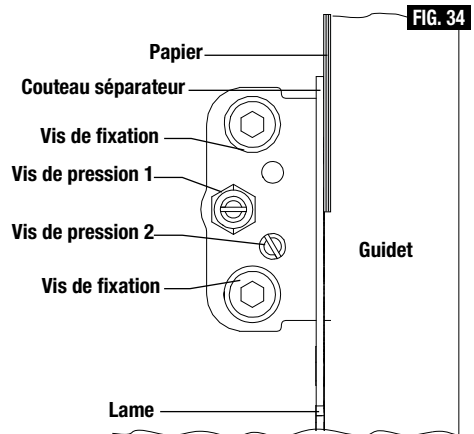
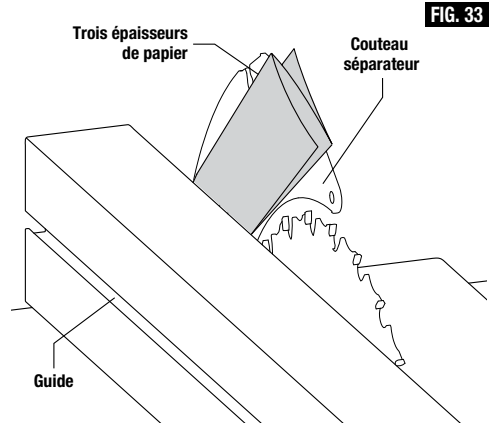
## Réglages

- En utilisant le guide de refente pour vous guider, vérifiez l'alignement du couteau séparateur avec le plan de la lame de la scie. Étant donné que le couteau séparateur est plus mince, par environ trois épaisseurs de papier de chaque côté, que la largeur du TRAIT DE SCIE de la lame, vous devez fabriquer une « jauge d'épaisseur » en papier temporaire. Faites deux plis dans une petite feuille (6 po x 6 po) de papier journal ordinaire afin de créer trois épaisseurs. Placez la jauge d'épaisseur en papier entre le couteau séparateur et le guide de refente (Fig. 33).
- Répétez l'étape 4 avec le guide de refente sur le côté droit de la lame, et vérifiez au moyen de la jauge d'épaisseur en papier.
- Si la jauge d'épaisseur en papier ne tient pas entre le guide de refente et le couteau séparateur après avoir effectué les étapes 4 et 5 ci-dessus, cela signifie que le couteau séparateur n'est pas aligné correctement sur la lame et que sa position doit être ajustée. S'il est nécessaire de procéder à un réglage de la position du couteau séparateur, passez à la section « Réglage du couteau séparateur ». Si le couteau séparateur est aligné correctement sur la lame, aucun réglage n'est nécessaire.

**REMARQUE :** Le couteau séparateur a été aligné correctement à l'usine – Vérifiez soigneusement son alignement avant de réaliser de quelconques réglages.

### RÉGLAGE DU COUTEAU SÉPARATEUR

- Élevez la lame de la scie à la hauteur maximum et réglez l'angle de biseau sur 0°.
- Retirez l'ensemble de barrière de protection et les taquets anti-rebond.
- Retirez l'élément amovible de la table.
- Placez le guide de refente du côté droit et dans la position 1, puis déplacez le guide jusqu'à ce qu'il entre en contact avec les pointes de la lame de la scie, puis verrouillez les rails en place.
- Desserrez l'écrou hexagonal avec une clé à molette de 10 mm. Desserrez légèrement les vis de fixation (1/4-1/2 tour) au moyen de la clé Allen de 5 mm fournie. Desserrez la vis de pression en utilisant un tournevis à lame plate (Fig. 34).
- Faites deux plis dans un petit morceau de papier (15 cm x 15 cm) pour former trois couches. Ce papier plié est utilisé comme « jauge d'espacement ».



**REMARQUE :** Les instructions d'espacement ci-dessus sont basées sur l'utilisation d'une lame à trait de scie standard. Si une lame à trait de scie plus petit est utilisée, ajustez la jauge d'espacement en papier. Par exemple, si la voie de la lame de remplacement est de près de 0,100 po, utilisez une épaisseur de papier comme jauge d'espacement; si la voie de la lame est de près de 0,110 po, utilisez deux épaisseurs.

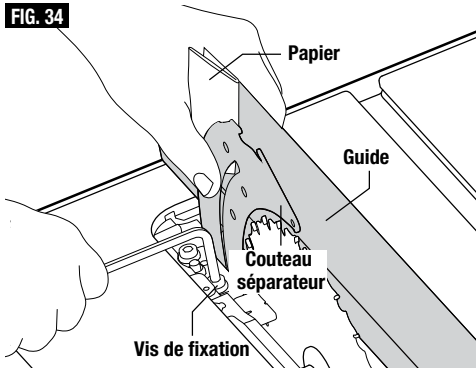
## Réglages

7. Insérez un papier plié entre le couteau séparateur et le guide.

- Tenez le couteau séparateur et le papier fermement contre le guide (Fig. 36).
- Serrez légèrement les vis de fixation.
- Retirez le papier et éloignez le guide de la lame.
- Tournez lentement la vis de pression 1 (pour le réglage à gauche et à droite) et la vis de pression 2 (pour le réglage à l'avant et à l'arrière) tout en regardant le couteau séparateur ou écarteur s'incliner jusqu'à ce qu'il soit aligné sur la lame.
- Vérifiez à nouveau que le couteau séparateur est à l'équerre par rapport à la table en faisant glisser le guide de refente contre la lame. Effectuez un ajustement si nécessaire.

8. Après avoir effectué les réglages :

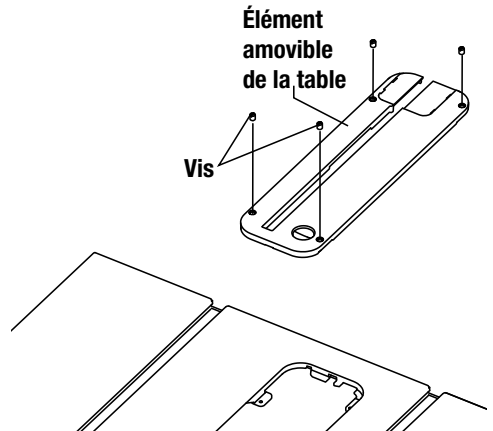
- Serrez légèrement l'écrou hexagonal (tenez la vis de pression en place avec un tournevis pendant que vous serrez l'écrou).
- Serrez à fond les vis de fixation 8 au moyen d'une clé Allen. Puis serrez à fond l'écrou hexagonal.



### RÉGLAGE DE L'ÉLÉMENT AMOVIBLE DE LA TABLE

La fente pour la pièce amovible de la table contient quatre (4) vis de réglage pour ajuster la hauteur de la pièce amovible de la table (Fig. 36). Placez la pièce amovible sur la table. Placez une règle (telle que la règle en métal d'une équerre à combinaison) à travers le dessus de la table et le haut de la pièce amovible. Si un réglage est nécessaire, utilisez un tournevis à tête plate de 4 mm pour faire tourner chaque vis de pression vers le haut ou vers le bas. La pièce amovible doit être légèrement au-dessous de la table à l'avant et légèrement au-dessus de la table à l'arrière.

FIG. 36



**REMARQUE :** Vérifiez que le couteau séparateur reste aligné sur la lame lorsque la lame est inclinée à un angle quelconque. Remettez en place l'ensemble de barrière de protection et les taquets anti-rebond avant de réaliser des coupes.

## Fonctionnement basique de la scie à table

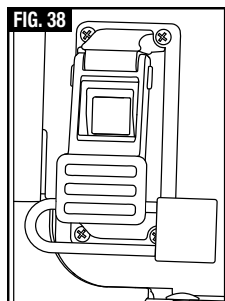
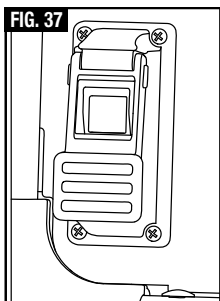
### INTERRUPTEUR DE SÉCURITÉ REMARQUE :

Cette scie à table est munie d'un mécanisme de sûreté qui contribue à éviter une mise en marche accidentelle. Lorsque la scie n'est plus alimentée électriquement, l'outil se met en mode d'arrêt. Lorsque l'alimentation électrique sera à nouveau assurée, il faudra remettre l'outil en marche à la main.

**Pour mettre la scie en marche :** Appuyez sur le bouton vert.

**Pour mettre la scie à l'arrêt :** Appuyez sur la palette rouge (qui appuie sur l'interrupteur d'arrêt rouge au-dessous) (Fig. 37).

Pour empêcher une utilisation non autorisée : il est possible de placer un cadenas sur l'interrupteur avec une anse de 3/16 po de diamètre (non inclus) (Fig. 38).



### MONTAGE DU SYSTÈME SMART GUARD

Le système Smart Guard de SKILSAW a été conçu de façon modulaire, afin de permettre l'utilisation de multiples combinaisons des trois principaux composants du système – 1) couteau séparateur / diviseur, 2) barrière de protection principale et 3) taquets anti-rebond (Fig. 39). Par ailleurs, le couteau séparateur peut être ajusté rapidement dans trois positions en fonction des besoins de l'application : coupe de bout en bout (haut), coupe partielle (intermédiaire) et coupe de rainures (bas). Les trois principaux composants du système de protection de la lame Smart Guard sont conçus pour pouvoir être montés, ajustés et/ou démontés rapidement, sans nécessiter l'emploi d'outils additionnels. Tous les composants du système Smart Guard qui doivent être retirés pour effectuer une coupe doivent être réinstallés immédiatement après la fin d'une telle coupe. Voir « Fixation du système Smart Guard » pour des instructions d'installation détaillées. Rappelez-vous toujours que la meilleure façon d'éviter les accidents est de faire preuve de bon sens et de rester vigilant à tout moment lors de l'utilisation de la scie à table.

FIG. 39

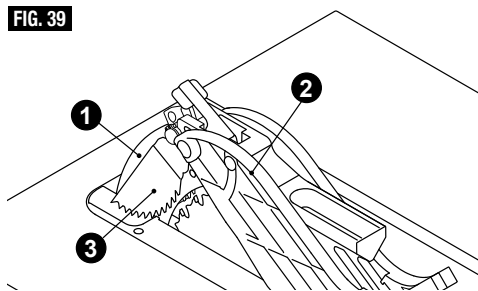
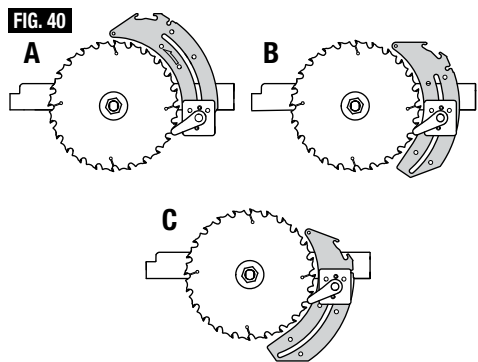


FIG. 40



### Couteau séparateur / diviseur

Le couteau séparateur (diviseur) est l'élément central du système de protection de la lame Smart Guard de SKILSAW. Il sert de point de fixation à la fois pour la barrière de protection principale et pour les taquets anti-rebond. Si la

barrière de protection principale et les taquets anti-rebond sont retirés, le couteau séparateur maintient sa fonctionnalité en temps que séparateur de matériau et il peut être ajusté rapidement dans trois positions (coupe de bout en bout A,

## Fonctionnement basique de la scie à table

coupe partielle B et coupe de rainures C) en fonction des besoins de l'application (Fig. 40). Le mécanisme de réglage du couteau séparateur ou écarteur comporte une fonctionnalité d'encliquetage : Lorsque l'opérateur relâche le couteau séparateur ou écarteur et le tire pour le dégager des broches, le couteau séparateur ou écarteur sera repoussé vers la base après que l'opérateur l'a libéré. Faites donc simplement glisser le couteau séparateur ou écarteur ; il s'engagera automatiquement dans les broches de verrouillage dans la position suivante. En raison de cette souplesse, le couteau séparateur peut être positionné de façon appropriée pour toutes les applications de coupe.

Le couteau séparateur (diviseur) peut facilement être ajusté à l'une des trois hauteurs en retirant l'élément amovible de la table, en soulevant la lame à sa hauteur maximum et en relâchant le levier de relâchement du couteau séparateur à la base du couteau séparateur. Le couteau séparateur doit être verrouillé dans sa position la plus élevée (coupe de bout en bout) pour pouvoir être utilisé conjointement avec la barrière de protection principale et les taquets anti-rebond. Il peut être réglé sur sa position intermédiaire pour les coupes partielles et pour emploi afin de fendre des matériaux en l'absence de la barrière de protection principale et des taquets anti-rebond. Au cas où le couteau séparateur ne pourrait pas être utilisé pour une coupe particulière ou conjointement avec une lame pour rainures, il pourra être réglé sur sa position la plus basse.

### Barrière de protection principale

La barrière de protection principale consiste en une paire de barrières en plastique attachées à la barrière de protection supérieure en métal. Les barrières latérales (une à gauche et une à droite de la lame) fonctionnent indépendamment l'une de l'autre, ce qui permet d'assurer une couverture maximum de la lame pendant les opérations de coupe. La barrière principale incorpore un point

de fixation à connexion rapide et peut être attachée ou retirée du système protège-lame indépendamment des taquets anti-rebond et du couteau séparateur / diviseur.

Le composant consistant en la barrière de protection principale peut être monté et démonté rapidement en utilisant simplement un levier à relâchement rapide. La barrière de protection est attachée en installant la barre transversale sur le haut du couteau séparateur / diviseur et en engageant le levier de verrouillage. En suivant le même processus, mais inversé, on peut retirer facilement la barrière pour des opérations spéciales telles que des coupes de rainures ou de feuillures.

**REMARQUE :** Pour assujettir le mieux possible la barrière de protection principale pendant les transports, mettez la lame dans sa position la plus basse. Ceci maintient la barrière serrée contre la surface de la table et empêche tout risque de dommage pouvant être causé par le jeu de la barrière pendant le transport. En cas de transport sur une grande distance sur le chantier ou en dehors de celui-ci, placez la barrière de protection dans sa position de rangement au-dessous de la table (Voir Figure 16).

### Taquets anti-rebond

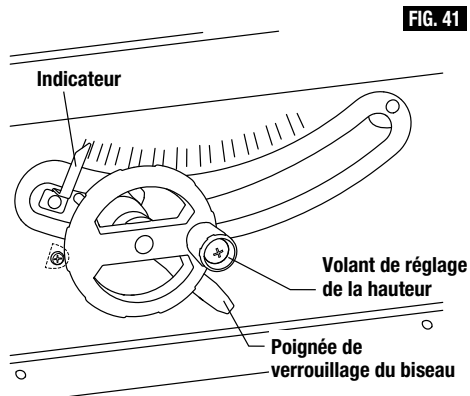
En cas de rebond, les taquets anti-rebond (également appelés griffes ou cliquets de protection contre les chocs en retour) ont pour fonction d'empêcher la projection de la planche dans la direction de l'utilisateur. Les dents acérées des taquets sont conçus pour « attraper » le matériau en cas de rebond.

Les taquets anti-rebond peuvent facilement être attachés en alignant la cheville de fixation sur le trou à l'arrière du couteau séparateur / diviseur. Ils peuvent être déplacés facilement en appuyant sur les languettes de compression d'un côté ou de l'autre du dispositif de protection contre les rebonds et en les soulevant.

# Fonctionnement basique de la scie à table

## RÉGLAGE DE L'INCLINAISON DE LA LAME

Desserrez la poignée de verrouillage de l'inclinaison de la lame dans le sens contraire des aiguilles d'une montre (Fig. 41), puis faites glisser le volant de réglage de la hauteur jusqu'à ce que l'indicateur 3 soit sur l'angle désiré et serrez la poignée de verrouillage de l'inclinaison de la lame dans le sens des aiguilles d'une montre.



## ACCESSOIRES POUR LE SCIAGE

Avant de couper du bois avec votre scie, familiarisez-vous avec toutes les « opérations de base de la scie ».

Vous remarquerez que pour exécuter certains types de coupe, il est nécessaire d'avoir recours à certains accessoires pour le sciage tels que la baguette poussoir, le plateau poussoir et le guide de coupe auxiliaire, que vous pouvez fabriquer vous-même.

Après avoir effectué quelques coupes d'essai, fabriquez ces accessoires avant de commencer tout projet. Fabriquez une « baguette poussoir » en premier. (Une baguette poussoir est incluse avec cette scie à table).

### BAGUETTE POUSSOIR ET PLATEAU POUSSOIR

Fabriquez la baguette poussoir à l'aide d'un morceau de 1 po x 2 po (2,5 cm x 5 cm), comme illustré (Fig. 42).

Fabriquez le plateau poussoir à partir de deux morceaux de contreplaqué de 3/8 po A et de contreplaqué de 3/4 po B (Fig. 43).

Le petit morceau de bois, de 1/2 po x 3/8 po x 2-1/2 po, doit être COLLÉ au contreplaqué... N'UTILISEZ PAS DE CLOUS. Vous risqueriez d'émousser la lame de la scie au cas où en coupant vous entreriez accidentellement en contact avec le plateau poussoir.

Positionnez la poignée au centre du contreplaqué et assujettissez-la en utilisant de la colle et des vis à bois.

FIG. 42

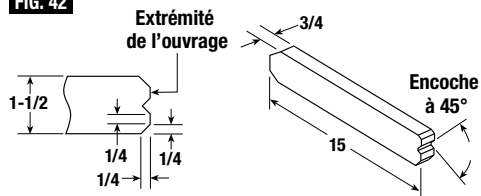
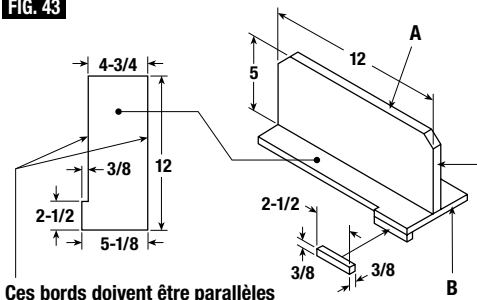


FIG. 43



Utilisez une baguette poussoir chaque fois que le guide est à deux pouces (5 cm) ou plus de la lame. Utilisez un plateau poussoir lorsque vous n'avez pas assez de place pour utiliser une baguette poussoir. Pour assurer une utilisation appropriée, voir les sections « Coupe longitudinale » et « Coupe longitudinale biseautée ».

Utilisez soit une baguette poussoir, soit un plateau poussoir à la place de la main de l'utilisateur afin de guider le matériau seulement entre le guide et la lame.

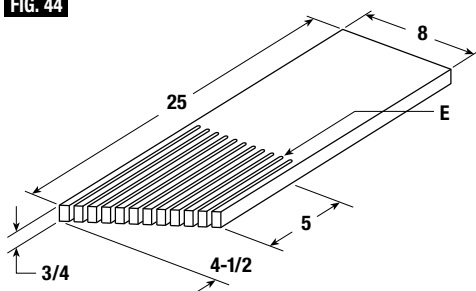
## Fonctionnement basique de la scie à table

Lorsque vous utilisez une baguette poussoir ou un plateau poussoir, l'extrémité arrière de la planche doit être carrée. Une baguette poussoir ou un plateau poussoir contre un bord de fuite inégal risquerait de glisser ou de pousser l'ouvrage à distance du guide.

### FABRICATION D'UNE PLANCHE À LANGUETTES

La Figure 44 illustre les cotes nécessaires à la fabrication d'une planche à languettes type. Elle doit être construite en utilisant un morceau de bois droit sans nœuds ni fissures. Le trait de scie E doit être à environ 1/4 po (Fig. 44).

FIG. 44



REMARQUE : Toutes les dimensions sont en pouces.

### PLAQUE DE SOUTIEN DE L'OUVRAGE / GUIDE AUXILIAIRE

Lorsque le guide est au-delà du haut de la table, assurez-vous que la plaque de soutien de l'ouvrage est sécurisée dans la position la plus basse, à la fois pour la fente avant et pour la fente arrière (Fig. 45a). Lorsque le guide est au-dessus de la table, assurez-vous que la plaque de soutien de l'ouvrage est dans la position de remorquage. Si un guide auxiliaire est nécessaire, placez la plaque de soutien de l'ouvrage dans la position du haut sur les fentes à l'avant et à l'arrière (Fig. 45b). Pour sécuriser le réglage du guide, abaissez la poignée de verrouillage.

FIG. 45a

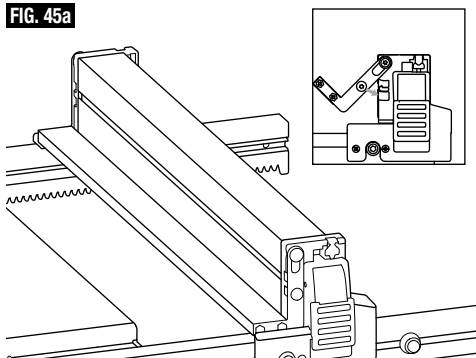
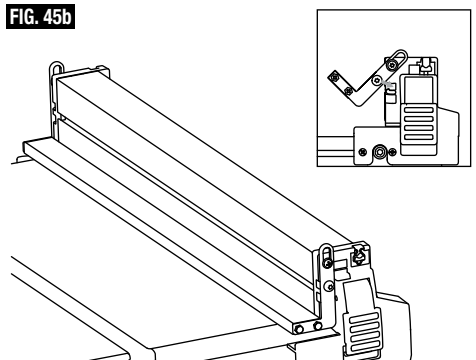


FIG. 45b



# Fonctionnement basique de la scie à table

## UTILISATION DE L'INDICATEUR DU GUIDE DE REFENTE

L'indicateur du guide de refente montre la distance entre la lame et le guide de refente.

### Position du côté droit 1.

L'échelle du haut indique la position du guide par rapport au côté droit de la lame pour la position intérieure. Dans cette position, le guide peut être utilisé de 0 à 20,5 po (62 cm) (Fig. 46).

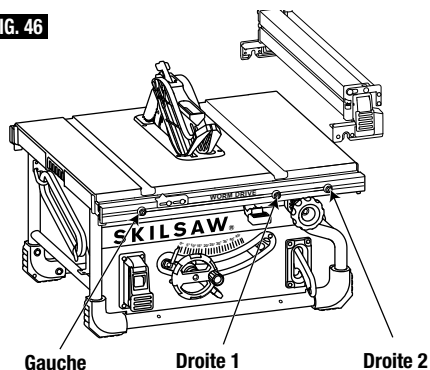
### Position du côté droit 2.

L'échelle du bas indique la position du guide par rapport au côté droit de la lame pour la position extérieure. Dans cette position, le guide peut être utilisé de 4,0 po (10 cm) à 25 po (63 cm) (Fig. 46).

### Position du côté gauche.

L'échelle n'a pas de pertinence pour cette position. La capacité maximum du côté gauche de la lame est de 12 po (42 cm) (Fig. 46).

FIG. 46



**AVERTISSEMENT** Portez toujours des protecteurs d'oreilles pendant la coupe et des gants lorsque vous manipulez des lames de scie.

## UTILISATION DU GUIDE DE REFENTE

Les COUPES EN LONG, COUPES EN LONG BISEAUTÉES, COUPES DE RESCIAGE ET FEUILLURES se font à l'aide du GUIDE DE REFENTE et avec un GUIDE DE COUPE AUXILIAIRE, d'une PLAQUE DE SOUTIEN DE L'OUVRAGE, d'une BAGUETTE POUSSOIR ou d'un PLATEAU POUSSOIR.

**AVERTISSEMENT** Pour votre sécurité, prenez toujours les précautions suivantes et conformez-vous également aux consignes de sécurité figurant aux pages 3, 4, 5 et 6.

1. N'exécutez jamais de telles coupes À MAIN LEVÉE (c'est-à-dire sans vous servir du guide de refente ou d'autres accessoires, le cas échéant) : la lame pourrait se coincer dans l'ouvrage et provoquer un REBOND.
2. Verrouillez toujours bien le guide de refente avant de vous en servir.
3. Retirez le guide d'onglet de la table pendant toute opération faisant appel au guide de refente.

4. Veillez à ce que le dispositif de protection de la lame soit en place avant toute opération de coupe de bout en bout. Remplacez IMMÉDIATEMENT le dispositif de protection après avoir achevé toutes coupes de resciage, feuillures ou rainures.

Vérifiez fréquemment le mouvement des TAQUETS ANTI-REBOND en faisant passer l'ouvrage le long de l'écarteur pendant que la scie est en position d'arrêt (OFF).

Tirez l'ouvrage VERS vous. Si les TAQUETS ne MORDENT pas dans l'ouvrage et s'ils ne le RETIENNENT pas, il faut les REMPLACER ou les RÉAFFÛTER. (Voir « Entretien de votre scie à table »).

5. Faites en sorte que la lame s'étende d'environ 1/8 po au-dessus de la surface du haut de l'ouvrage. Une exposition plus importante de la lame accroîtrait les risques liés à l'utilisation de l'outil.
6. Ne vous tenez pas directement en face de la lame en raison des risques de REBOND. Tenez-vous d'un côté ou de l'autre de la lame.
7. Gardez les mains à bonne distance de la lame et de l'axe de coupe de la lame.
8. Si la lame se coincé ou s'immobilise lors de la coupe, METTEZ L'INTERRUPTEUR EN POSITION D'ARRÊT avant de tenter de la dégager.



## Fonctionnement basique de la scie à table

9. Ne tendez jamais le bras par-dessus la lame ou derrière la lame afin de tirer l'ouvrage tout au long de la coupe, de soutenir des pièces longues ou lourdes, ou de retirer des fragments venant d'être découpés. NI POUR AUCUNE AUTRE RAISON.
10. Ne ramassez pas de petits fragments de matériaux coupés pouvant se trouver sur la table. RETIREZ-LES en les poussant avec un long bâton pour les faire tomber de la table. Sinon, ils risqueraient d'être projetés vers vous par l'arrière de la lame.
11. Ne dégagez pas de petits fragments de matériau pouvant être EMPRISONNÉS dans le dispositif de protection de la lame pendant que la scie EST EN MARCHÉ. VOUS RISQUERIEZ DE VOUS BLESSER LES MAINS ou de provoquer un REBOND. Arrêtez la scie et débranchez-la de la prise de courant. Après que la lame se sera immobilisée, relevez le dispositif de protection et dégagez le morceau de bois.
12. Si l'ouvrage est voilé, posez-le sur la scie face CONCAVE vers le BAS. Ceci l'empêchera d'osciller pendant la coupe.

### PIÈCE D'APPOINT AUXILIAIRE POUR LE GUIDE DE REFENTE

Lorsque vous utilisez des accessoires tels que des fers pour couper des rainures, il faut utiliser une pièce d'appoint auxiliaire. Ceci contribuera à réduire les risques d'endommagement du guide en aluminium. La pièce d'appoint doit consister en bois de 3/4 po d'épaisseur (Fig. 47).

#### Pièces requises :

- Plaque en bois de 3/4 po d'épaisseur (bois à l'état naturel ou contreplaqué) coupée à la taille voulue.
- Deux (2) brides de fixation.
- La pièce d'appoint est fabriquée à la même hauteur (2-3/4 po) que le guide et peut être utilisée avec le dispositif de protection de la lame en place lorsque le guide est déplacé pour entrer en contact avec la lame. Utilisez deux brides de fixation pour assujettir la plaque en bois de 3/4 po d'épaisseur au guide de refente.

**REMARQUE :** La pièce d'appoint auxiliaire doit également être utilisée pour couper un matériau de moins de 3/16 po d'épaisseur.

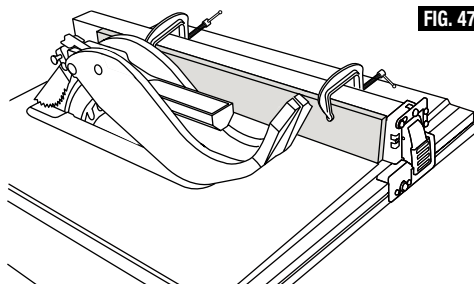


FIG. 47

# Fonctionnement basique de la scie à table

## COUPE EN LONG

La COUPE EN LONG est la coupe d'un morceau de bois dans le sens du grain, c'est-à-dire dans le sens de la longueur. Elle s'exécute à l'aide du guide de refente. Positionnez le guide en fonction de la LARGEUR DE COUPE DE REFENTE désirée et verrouillez-le en place.

Avant de commencer la coupe de refente, assurez-vous que :

- Le guide de refente est parallèle à la lame de la scie.
- Le couteau séparateur est bien aligné sur la lame de la scie..
- Les taquets anti-rebond fonctionnent correctement.

Positionnez la partie la plus large de l'ouvrage sur le côté du guide.

Lors de la coupe longitudinale de PLANCHES LONGUES ou de GRANDS PANNEAUX, utilisez toujours une pièce de soutien d'ouvrage auxiliaire ou le support (Fig. 48).

## COUPE EN LONG BISEAUTÉE

Évitez les coupes en long biseautées avec le guide du côté gauche dans la mesure du possible. Lorsque vous effectuez des coupes en long biseautées sur des ouvrages de 6 po (15 cm) ou moins de large, utilisez un guide sur le côté droit de la lame UNIQUEMENT.

Vous disposerez ainsi de plus de place entre le guide et la lame de la scie pour vous servir d'une baguette poussoir. Si le guide était monté à gauche de la lame de la scie, le dispositif de protection de la lame pourrait vous empêcher d'utiliser la baguette poussoir correctement.

Si la LARGEUR DE LA COUPE DE REFENTE est de 6 po (15 cm) ou PLUS, servez-vous de votre main DROITE pour faire avancer l'ouvrage et guidez l'ouvrage de la main GAUCHE UNIQUEMENT – ne le faites pas avancer de la main gauche (Fig. 48).

Si la LARGEUR DE LA COUPE DE REFENTE est comprise entre 2 po (5 cm) et 6 po (15 cm), faites avancer l'ouvrage À L'AIDE DE LA BAGUETTE POUSSOIR (Fig. 49).

Si la LARGEUR DE LA COUPE DE REFENTE est INFÉRIEURE à 2 po (5 cm), il n'est pas possible de se servir de la baguette poussoir à cause de la présence du dispositif de protection de la lame. SERVEZ-VOUS DU GUIDE DE COUPE AUXILIAIRE ET DU PLATEAU POUSSOIR.

Le guide auxiliaire doit être utilisé chaque fois que la « LARGEUR DE LA COUPE LONGITU-

DINALE » est inférieure à 6 po (15 cm). Si la « LARGEUR DE LA COUPE LONGITUDINALE » est inférieure à la hauteur de l'ouvrage, un guide auxiliaire jetable de hauteur appropriée pour soutenir totalement l'ouvrage pendant la coupe doit être fabriqué et attaché au guide.

Faites avancer l'ouvrage à la main jusqu'à ce que son extrémité soit à environ 1 po (2,5 cm) du bord avant de la table. Continuez à faire avancer l'ouvrage à l'aide du PLATEAU POUSSOIR en haut du guide auxiliaire JUSQU'À CE QUE LA COUPE SOIT ACHEVÉE (Fig. 50)

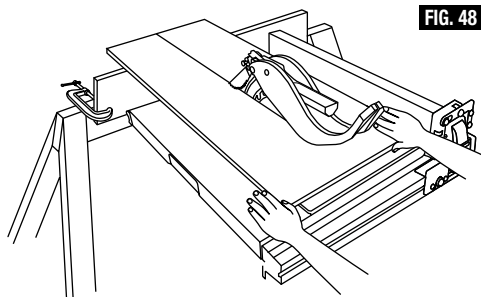


FIG. 48

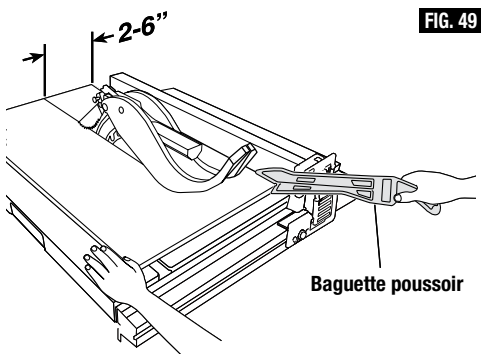


FIG. 49

Baguette poussoir

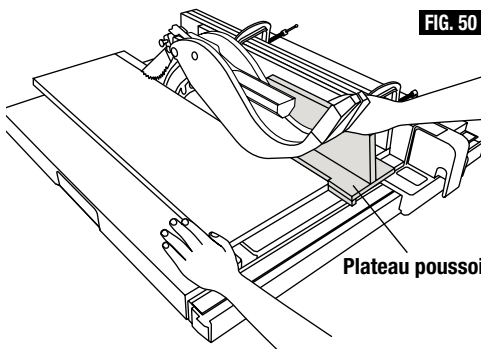


FIG. 50

Plateau poussoir

# Fonctionnement basique de la scie à table

## UTILISATION DU GUIDE D'ONGLET

Le GUIDE D'ONGLET est utilisé pour les COUPES TRANSVERSALES, les COUPES ANGULAIREs, les COUPES EN BISEAU, les COUPES ANGULAIRES COMPOSÉES, ainsi que les FEUILLES à l'extrémité des ouvrages étroits.

**AVERTISSEMENT** Pour votre propre sécurité, observez toujours les précautions de sécurité suivantes en plus des consignes de sécurité des Consignes générales de sécurité, des Instructions de sécurité pour les scies à table et des Consignes de sécurité additionnelles.

N'exécutez jamais de telles coupes à main levée (c'est-à-dire sans vous servir du guide d'onglet ou d'autres dispositifs auxiliaires), car la lame pourrait se coincer dans l'ouvrage et provoquer un REBOND ou vous happer le doigt ou la main et provoquer un contact avec la lame.

Verrouillez toujours bien le guide d'onglet avant de vous en servir.

Le guide d'onglet à 90° peut être utilisé pour des coupes transversales entre 0 et 35 cm / 0 et 14 po. Retirez le guide de refente de la table pendant toute opération faisant appel au guide d'onglet.

Lors d'une coupe transversale, et si la lame est réglée à un angle de 90° ou de 45° par rapport à la table, le guide d'onglet peut être utilisé dans l'une quelconque des fentes sur la table. Lors d'une coupe transversale, et si la lame est inclinée, utilisez la fente du côté droit de la table à l'endroit où la lame est inclinée dans le sens contraire à celui de vos mains et du guide d'onglet.

### RÉGLAGE DE L'ANGLE D'ONGLET :

Desserrez le bouton de verrouillage et réglez le corps du guide d'onglet de façon que l'indicateur soit à l'angle voulu, puis serrez le bouton de verrouillage (Fig. 51).

### SUPPORT AUXILIAIRE DU GUIDE D'ONGLET

Le guide d'onglet de cette scie à table est conçu pour accepter une pièce de soutien auxiliaire avec des trous percés à l'usine pour attacher un morceau approprié de bois droit lisse. Utilisez le guide d'onglet comme gabarit pour attacher avec des pièces de fixation appropriées (Fig. 52).

### Exemple :

- Percez des trous débouchants de 5/32 po (planche de 3/4 po d'épaisseur, de 3 po (7,5 cm) de hauteur et de longueur voulue).
- Fixez la planche avec deux vis à bois à tête ronde N° 12 de 1-1/2 po de long, non comprises (Fig. 52).

Assurez-vous que les vis ne dépassent jamais au-dessus de la surface externe de la pièce d'appoint auxiliaire.

Assurez-vous également que la pièce d'appoint auxiliaire ne fasse pas obstacle au fonctionnement du dispositif de protection de la lame de scie.

**REMARQUE :** Lorsque vous exécutez des coupes transversales biseautées, fixez la pièce d'appoint auxiliaire de façon à ce qu'elle dépasse du côté droit du guide d'onglet et installez-la dans la rainure située à droite de la lame.

FIG. 51

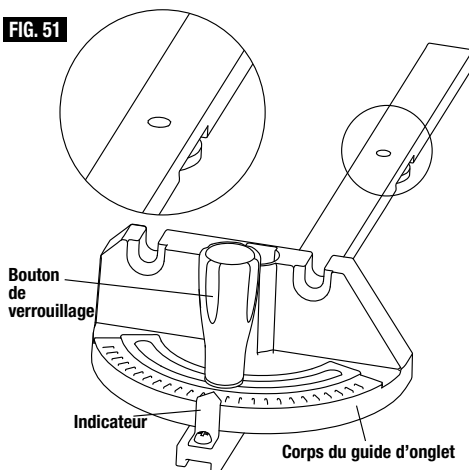
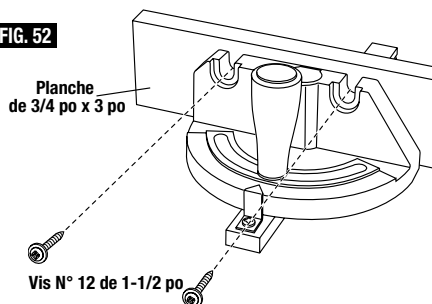


FIG. 52



# Fonctionnement basique de la scie à table

## COUPES TRANSVERSALES

Une COUPE TRANSVERSALE est une coupe à 90° pratiquée contre le grain, c'est-à-dire une coupe perpendiculaire à la fois au bord et au côté droit de l'ouvrage. Elle se fait à l'aide du guide d'onglet réglé à 90° (Fig. 53).

Assurez-vous que le dispositif de protection de la lame est installé pour toutes les opérations de « coupe de bout en bout » (lorsque la lame de scie coupe l'ouvrage sur toute son épaisseur). Remettez le dispositif de protection de la lame IMMÉDIATEMENT EN PLACE après avoir effectué des coupes de rainures ou de feuillures.

Réglez la lame de façon qu'elle s'étende d'environ 1/8 po au-dessus du haut de l'ouvrage. Une exposition plus importante de la lame accroîtrait les risques liés à l'utilisation de l'outil.

Ne vous tenez pas directement dans l'axe de coupe de la lame en raison du risque de PROJECTION dans cette direction (petit fragment de matériau venant d'être coupé attrapé par l'arrière de la lame et projeté vers l'utilisateur). Tenez-vous d'un côté ou de l'autre de la lame.

Gardez les mains à bonne distance de la lame et de l'axe de coupe de la lame.

Si la lame se coince ou s'immobilise lors de la coupe, METTEZ L'INTERRUPTEUR EN POSITION D'ARRÊT avant de tenter de la dégager.

Ne tendez jamais le bras par-dessus la lame ou derrière la lame afin de tirer l'ouvrage tout au long de la coupe, de soutenir des pièces longues ou lourdes, ou de retirer des fragments venant d'être découpés. NI POUR AUCUNE AUTRE RAISON.

Ne ramassez pas de petits fragments de matériaux coupés pouvant se trouver sur la table. RETIREZ-LES en les poussant avec un long bâton pour les faire tomber de la table. Sinon, ils risqueraient d'être projetés vers vous par l'arrière de la lame.

Ne dégagez pas de petits fragments de matériau pouvant être EMPRISONNÉS dans le dispositif de protection de la lame ou se trouver à proximité de celui-ci pendant que la scie EST EN MARCHÉ. VOUS RISQUERIEZ DE VOUS BLESSER LES MAINS ou de provoquer un REBOND. Mettez la scie hors tension. Après que la lame se sera immobilisée, relevez le dispositif de protection et dégagez le morceau de bois.

Si l'ouvrage est voilé, posez-le sur la scie face CONCAVE vers le BAS. Ceci l'empêchera d'osciller pendant la coupe.

L'échelle graduée du guide d'onglet assure une précision suffisante pour la plupart des travaux de menuiserie. Pour des travaux de très haute précision, par exemple une coupe angulaire, faites une coupe d'essai et vérifiez-en la précision à l'aide d'une équerre exacte ou d'un rapporteur.

Si nécessaire, la tête du guide d'onglet peut être pivotée légèrement afin de compenser toute inexactitude.

**SUGGESTION :** L'espace entre la barre du guide d'onglet et la rainure de la table est maintenu au minimum pendant la fabrication. Pour obtenir la précision la meilleure possible lorsque vous utilisez le guide d'onglet, « privilégiez » toujours un côté de la rainure dans la table. En d'autres termes, ne déplacez pas le guide d'onglet latéralement pendant la coupe. Gardez plutôt un côté de la barre contre un côté de la rainure.

**SUGGESTION :** Collez un morceau de papier de verre sur la face de la tête du guide d'onglet. Ceci évitera que l'ouvrage ne se déplace pendant la coupe.

Le guide d'onglet peut être utilisé dans l'une quelconque des rainures de la table. Assurez-vous qu'il est bien verrouillé.

Lorsque vous utilisez le guide d'onglet dans la rainure de GAUCHE, maintenez fermement l'ouvrage contre la tête du guide d'onglet avec votre main gauche et saisissez le bouton de verrouillage avec votre main droite.

Lorsque vous utilisez la rainure de DROITE, tenez l'ouvrage de la main droite et le bouton de verrouillage de la main gauche.

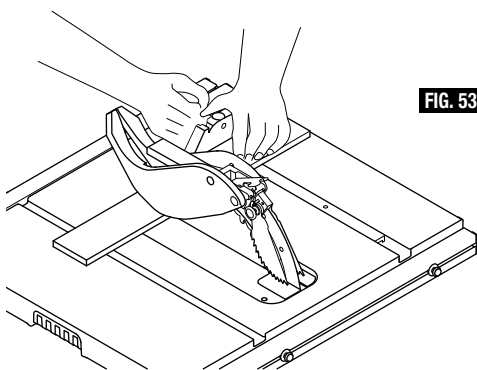


FIG. 53

# Fonctionnement basique de la scie à table

## COUPES RÉPÉTITIVES

Une COUPE RÉPÉTITIVE est une coupe d'un certain nombre de pièces de la même longueur sans qu'il soit besoin de marquer chaque pièce (Fig. 54).

Lorsque vous faites des coupes répétitives sur un ouvrage très long, assurez-vous qu'il est bien soutenu.

**⚠ AVERTISSEMENT** N'utilisez jamais le guide de refente comme butée longitudinale directe car la pièce coupée risquerait de se coincer entre le guide et la lame et causer ainsi un rebond.

1. Pour faire des coupes répétitives, assujettissez un bloc de bois de 3 po (7,5 cm) de long à la table à la longueur désirée pour qu'il serve de butée de longueur.

**⚠ AVERTISSEMENT** Lorsque vous sécurisez le bloc, assurez-vous que l'extrémité du bloc est nettement devant la lame de scie. Vérifiez bien qu'il est bien attaché.

2. Faites glisser l'ouvrage le long du guide d'onglet jusqu'à ce qu'il soit en contact avec le bloc. Tenez l'ouvrage solidement en place.

3. Réalisez la coupe, tirez à nouveau sur l'ouvrage, puis poussez la partie coupée de l'ouvrage pour la faire tomber de la table avec une longue baguette poussoir. **NE TENTEZ PAS DE LE PRENDRE AVEC LES MAINS CAR CELA RISQUERAIT DE METTRE CELLES-CI EN DANGER.**

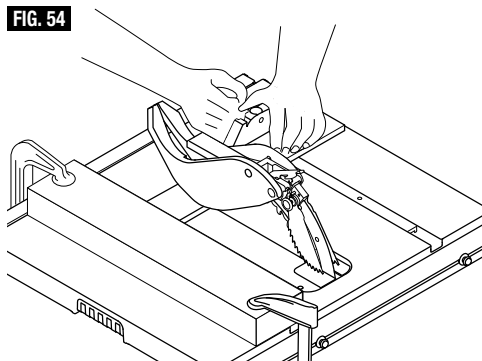


FIG. 54

## COUPE ANGULAIRE

On appelle COUPE ANGULAIRE le découpage à un angle autre que 90° par rapport au bord de la pièce en bois. Suivez la même méthode que pour la coupe transversale (Fig. 57).

Réglez le guide d'onglet selon l'angle voulu et verrouillez-le.

Le guide d'onglet peut être utilisé dans l'une quelconque des rainures de la table.

Lorsque vous utilisez le guide d'onglet dans la rainure de GAUCHE, maintenez fermement l'ouvrage contre la tête du guide d'onglet avec votre main gauche et saisissez le bouton de verrouillage avec votre main droite.

Lorsque vous utilisez la rainure de DROITE, tenez l'ouvrage de la main droite et le bouton de verrouillage de la main gauche.

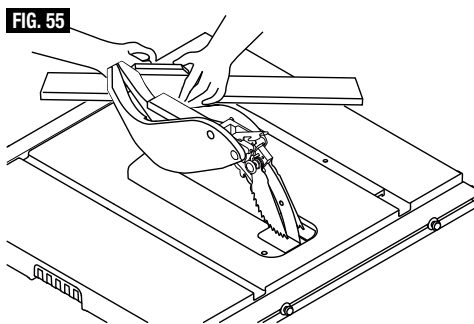


FIG. 55

## COUPE TRANSVERSALE EN BISEAU

La COUPE TRANSVERSALE EN BISEAU est une coupe transversale dans laquelle la pièce en bois est également coupée à un angle autre que 90° par rapport au côté plat du bois (Fig. 56).

Réglez la lame selon l'angle désiré.

Servez-vous du guide d'onglet placé dans la rainure située à DROITE ou à GAUCHE de la lame.

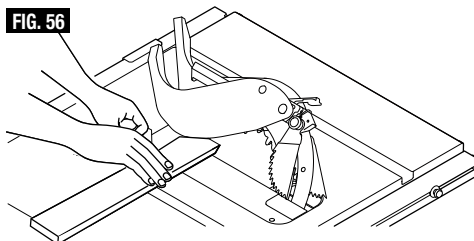


FIG. 56

# Fonctionnement basique de la scie à table

## COUPE ANGULAIRE COMPOSÉE

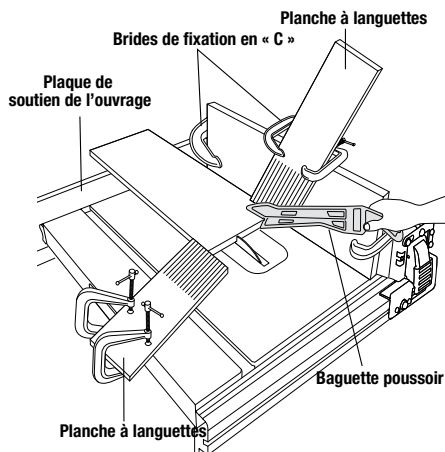
La COUPE ANGULAIRE COMPOSÉE est la combinaison d'une coupe angulaire et d'une coupe transversale en biseau. La coupe est réalisée à un angle autre que 90° par rapport au bord de la pièce en bois aussi bien que par rapport à sa surface plate.

Réglez le guide d'onglet et l'inclinaison de la lame selon l'angle désiré, et assurez-vous que le guide d'onglet est bien verrouillé.

## COUPE PARTIELLE

Ajoutez une planche d'appoint plate de 8 po (20 cm) de haut sur toute la longueur du guide de refente (Fig. 57).

FIG. 57



Servez-vous de planches à languettes pour toutes les opérations de coupe partielle (lorsqu'il faut enlever le dispositif de protection de la lame de la scie). Les planches à languettes servent à maintenir l'ouvrage en contact avec le guide et la table, et à prévenir les rebonds.

Montez les planches à languettes sur le guide et à la table suivant l'illustration, de façon à ce que les bords d'attaque maintiennent l'ouvrage pendant toute la durée de la coupe, jusqu'à ce que vous ayez entièrement dégagé l'ouvrage de l'outil de coupe (lame de scie, fer à rainurer, etc.) en le poussant à l'aide d'une baguette poussoir, comme dans le cas d'une coupe en long.

Avant de commencer l'opération (mettez la scie dans la position « ARRÊT » (OFF) et réglez la lame en dessous de la surface de la table) :

- A. Montez les planches à languettes de façon à ce qu'elles exercent une pression sur l'ouvrage; VÉRIFIEZ QU'ELLES SONT SOLIDEMENT FIXÉES.
- B. Assurez-vous, en faisant des essais, que les planches à languettes préviendront tout rebond éventuel.

On ne se sert pas de planches à languettes pour les opérations de coupe partielle faisant appel au guide de coupe angulaire.

REMETTEZ LE SYSTÈME SMART GUARD EN PLACE DÈS LA FIN DE L'OPÉRATION DE COUPE PARTIELLE.

## RÉALISATION DE FEUILLURES

Une FEUILLURE est une coupe d'une section du coin d'un morceau de matériau pratiquée le long du bord ou de l'extrémité de ce morceau de matériau (Fig. 58).

La réalisation d'une FEUILLURE nécessite l'exécution de coupes partielles dans l'ouvrage. Le système Smart Guard doit donc être retiré.

1. Retirez le dispositif de protection de la lame.
2. Pour exécuter une feuilure le long d'un bord (sur le côté le plus long de l'ouvrage) comme illustré, montez sur le guide de refente une planche de guidage d'appoint à peu près aussi haute que la largeur de l'ouvrage. Ajustez le guide de refente et la lame aux dimensions requises, puis réalisez la première coupe avec la planche à plat sur la table, en suivant la configuration illustrée à la Fig. 58. Faites une deuxième coupe en positionnant l'ouvrage sur son flanc. Prenez toutes les précautions et suivez toutes les instructions et consignes de sécurité applicables aux opérations de coupe en long ou de refente, y compris en utilisant des planches à languettes, une baguette poussoir, etc.
3. Pour exécuter une feuilure en travers d'une extrémité large de 10-1/2 po (27 cm) au maximum, positionnez au préalable l'ouvrage à plat sur la table. En vous servant du guide d'onglet sur lequel vous aurez fixé une planche de guidage d'appoint, suivez les instructions relatives à la coupe transversale en faisant des coupes successives en travers de



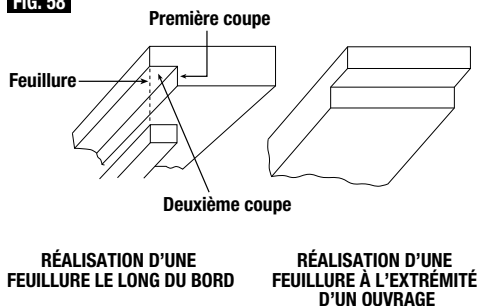
## Fonctionnement basique de la scie à table

la largeur de l'ouvrage afin d'obtenir la largeur de coupe désirée. **NE VOUS SERVEZ PAS** du guide de refente pour exécuter des feuillures d'extrémité.

4. **INSTALLEZ LE SYSTÈME SMART GUARD TOUT DE SUITE APRÈS AVOIR ACHÉVÉ L'OPÉRATION DE RÉALISATION DE FEUILLURES.**

Il est également possible de réaliser des feuillures en une seule passe à l'aide d'un fer à rainurer.

FIG. 58



### COUPE DE RAINURES

Le mode d'emploi fourni avec ces accessoires contient des instructions pour l'utilisation de la scie avec des ensembles de fers à rainurer.

UTILISEZ TOUJOURS UN ÉLÉMENT AMOVIBLE DE TABLE SKILSAW APPROPRIÉ ET LES RONDELLES INDIQUÉES SOUS LA RUBRIQUE « ACCESSOIRES RECOMMANDÉS ».

REMETTEZ TOUJOURS LES RONDELLES DE LAMES DANS LEURS POSITIONS INITIALES APRÈS AVOIR TERMINÉ UNE COUPE DE RAINURES.

### INSTALLATION D'UN ENSEMBLE DE LAMES À RAINURER

Un ensemble de lames à rainurer est un système accessoire qui est utilisé pour créer des rainures partielles ou faire des coupes à recouvrement sur des ouvrages. Ces outils sont utilisés couramment dans le cadre de la construction de meubles et d'armoires. À l'issue des coupes de rainures sur des ouvrages, ceux-ci peuvent être assemblés de façon sécurisée. La scie à table ce permet d'effectuer des coupes de rainures d'un maximum de 1/2 po de large en une seule passe.

**AVERTISSEMENT** Pour réduire les risques de blessures, débranchez toujours le cordon d'alimentation de la prise de courant avant de changer la lame.

**AVERTISSEMENT** Pour réduire le risque de blessures, utilisez toujours l'élément amovible de table pour lames à rainurer SKILSAW SPTA70WT-DD de 1/2 po ou l'élément amovible de table pour lames.

Ne faites jamais de coupes de rainures sans avoir installé cet élément amovible. N'utilisez pas d'ensembles de lames à rainurer de plus de 8 po (20 cm) de diamètre. N'inclinez jamais de lames à rainurer à un angle de biseau autre que l'angle vertical de 0°. Suivez tous les avertissements et toutes les instructions montrés ici ainsi que ceux qui accompagnent votre ensemble de lames à rainurer. Le non-respect de ces avertissements pourrait causer des blessures corporelles graves.

**AVERTISSEMENT** Pour réduire le risque de blessure, n'utilisez pas d'ensembles de lames à rainurer de plus de 8 pouces (20 cm) de diamètre. Cette scie n'est pas conçue pour accepter des lames à rainurer de plus grandes tailles.

### UTILISATION D'ENSEMBLES DE SCIES À RAINURER EMPILÉES

**REMARQUE** : Ces instructions s'appliquent à la plupart des ensembles de lames à rainurer empilées standard.

1. Débranchez la fiche de la prise de courant.
2. Retirez l'ensemble de barrière de protection et les taquets anti-rebond.
3. Retirez l'élément amovible de table standard. Élevez la lame de la scie à la hauteur maximum. Abaissez et verrouillez le couteau diviseur dans sa position la plus basse.
4. Retirez l'écrou de fixation de l'arbre, puis la rondelle extérieure et la lame de la scie. **REMARQUE** : Pour ne faire que des coupes de rainurage, laissez la rondelle intérieure en place. La rondelle extérieure sera remplacée par l'ensemble d'écrou/de rondelle inclus avec la pièce amovible SPT5005-DD.

## Fonctionnement basique de la scie à table

5. Installation d'un ensemble de lames à rainurer empilées (Fig. 59).

- Placez les parties désirées de l'ensemble de lames à rainurer sur la tige de l'arbre.
- Placez l'ensemble d'écrou/de rondelle inclus dans le Kit d'accessoires de rainurage SPT5005-DD sur l'extérieur de la pile de lames, puis serrez.

6. Positionnement des lames à rainurer et des lames déchiqueteuses (Fig. 59):

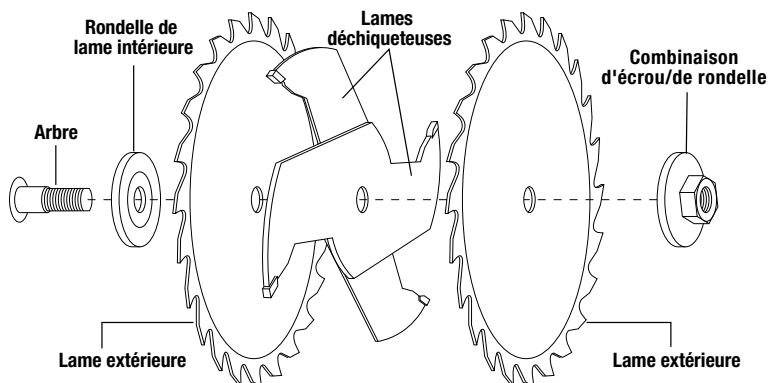
- Pour des coupes de 1/4 po de large, placez les deux lames de rainurage extérieures (couteaux) sur l'arbre. Les deux lames de rainurage extérieures peuvent être différentes ; consultez les informations figurants sur la lame et dans les instructions du fabricant pour effectuer une installation correcte.

- Pour des coupes plus larges (jusqu'à un maximum de 1,25 cm / 1/2 po pour la pièce amovible SPT5005-DD), des lames déchiqueteuses et des entretoises peuvent être placées seulement entre les lames extérieures (couteaux).

**⚠ AVERTISSEMENT** Pour réduire le risque de blessures, n'utilisez jamais une lame à rainurer unique pour une coupe de bout en bout normale. N'utilisez jamais de lames déchiqueteuses sans que les deux couteaux extérieurs ne soient installés. Lisez et suivez toutes les instructions et consignes de sécurité accompagnant l'ensemble de lames à rainurer.

**REMARQUE :** Avec cette scie, ne dépassez pas une largeur empilée de 1,25 cm / 1/2 po. Utilisez l'ensemble d'écrou/de rondelle inclus avec la pièce amovible SPT5005-DD.

FIG. 59



7. Abaissez les lames au-dessous du haut de la table et insérez la pièce amovible de la table pour rainurage SKILSAW (Fig. 61) . Ajustez l'insert en Dado de manière à ce qu'il soit au même niveau que la surface de la table. Élevez les couteaux jusqu'à la profondeur de coupe désirée (au-dessus de l'élément amovible). Assurez-vous que l'outil n'est pas branché dans une prise de courant; puis faites tourner les couteaux à la main en prenant toutes les précautions nécessaires pour vérifier que tous les composants sont solidement en place et qu'il n'existe pas d'interférences.

8. Branchez à nouveau la scie dans une source d'alimentation. Utilisez des morceaux de bois résiduels pour pratiquer vos coupes de rainurage, et ajustez la hauteur en conséquence.

**⚠ AVERTISSEMENT** Pour réduire le risque de blessures, ne faites jamais passer vos mains au-dessus des lames à rainurer. Les coupes de rainurages sont des coupes partielles (aveugles). À de nombreux moments, il n'est pas possible de voir les couteaux pendant la coupe. Voir les instructions pour les « Coupes partielles ».



## Fonctionnement basique de la scie à table

**AVERTISSEMENT** Pour réduire le risque de blessures, ne réalisez jamais de coupes à main levée. L'ouvrage doit être tenu contre le guide de la scie ou contre le guide d'onglet pendant qu'on le fait avancer. Dans la mesure du possible, utilisez des baguettes poussoirs et des plateaux poussoirs pour couper. Utilisez toujours des planches à languettes, attachées à la table ou au guide, pour les coupes longitudinales. Voir la section « Accessoires pour le sciage ». Lors de coupes transversales, maintenez fermement l'ouvrage contre le guide d'onglet.

**REMARQUE** : Étant donné que les coupes de rainurage sont des coupes partielles seulement, le guide d'onglet peut être utilisé avec le guide de refente verrouillé en place. Ceci est utile lors de la réalisation de coupes transversales de rainurage répétées depuis les extrémités de plus d'un ouvrage. Chaque pièce est tenue contre le guide d'onglet et son extrémité glisse le long du guide de refente à une distance fixée à l'avance.

En fonction de la profondeur finale de la coupe et/ou de la densité du matériau, il peut être nécessaire de réaliser de multiples coupes en commençant par de petites profondeurs (de 1/4 po à 1/2 po) et en progressant jusqu'à la profondeur finale. Lors de la réalisation de nombreuses coupes de rainurage répétées, inspectez périodiquement les pièces pour vous assurer que la profondeur de coupe est maintenue.

### REMISE DE LA SCIE DANS LE MODE DE SCIAGE NORMAL DE BOUT EN BOUT

Après avoir terminé votre coupe de rainures, n'oubliez pas de remettre les rondelles intérieures et extérieures dans leurs positions d'origine (voir les détails sous la rubrique « Retrait et installation de la lame »). Il est important que les rondelles de l'équipement d'origine soient dans leurs positions correctes pour que la lame de scie puisse toujours s'aligner sur le couteau séparateur installé de façon permanente.

FIG. 60

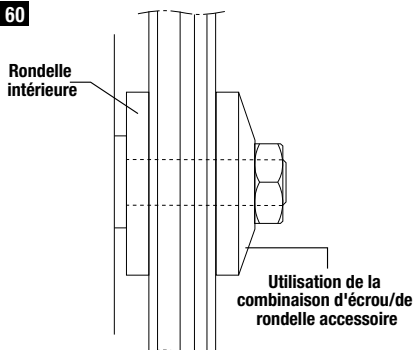
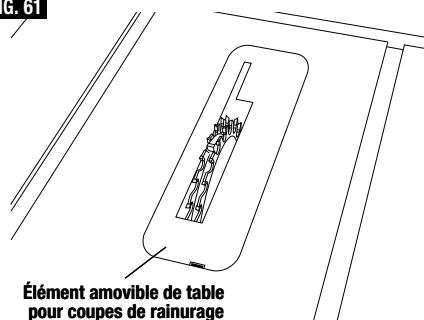


FIG. 61



## Fonctionnement basique de la scie à table

### ENSEMBLE DE LAMES À RAINURER RÉGLABLES OU DÉSAXÉES

**⚠ AVERTISSEMENT** Pour réduire le risque de blessure, n'utilisez pas d'ensembles de lames à rainurer réglables ou « désaxées » sur cette scie. Des ensembles de lames à rainurer réglables peuvent facilement être placés dans des positions pouvant faire obstacle au fonctionnement de certains composants de cette scie.

### TECHNIQUES DE COUPE SPÉCIALES

**⚠ AVERTISSEMENT** Ne tentez pas d'exécuter des coupes dont ne parle pas ce mode d'emploi à moins de très bien connaître la marche à suivre, y compris les méthodes de fixation. Ces types de coupes comprennent, sans toutefois s'y limiter, les coupes coniques et les coupes complexes non traversantes, telles que les coupes en plongée, les refendages, les coupes à la tête de moulage et les opérations de rognage. Cette scie à table est un outil extrêmement versatile, capable d'exécuter un très grand nombre de coupes hautement spécialisées qu'il n'est pas possible d'aborder dans ce mode d'emploi.

Vous pouvez consulter dans votre bibliothèque locale divers livres consacrés aux techniques de menuiserie, tels que : « The Complete Book of Stationary Power Tool Techniques », par R.J. DeChristoforo, ou « Table Saw Techniques » par R. Cliffe.

### COUPE DE MÉTAUX ET DE MAÇONNERIE

**⚠ AVERTISSEMENT** Cette scie à table n'est pas recommandée pour couper des métaux tels que l'aluminium et le cuivre, même avec une lame spéciale conçue pour couper de tels matériaux.

**⚠ AVERTISSEMENT** Cette scie à table n'est pas recommandée pour couper de la maçonnerie, même en utilisant des meules de tronçonnage abrasives.

## Entretien de votre scie à table

**⚠ AVERTISSEMENT** Pour votre sécurité, mettez l'interrupteur en position « ARRÊT » et débranchez la fiche de la prise de courant avant toute opération d'entretien ou de lubrification de votre scie.

### NETTOYAGE DU DÉVERSOIR DE POUSSIÈRE / ÉCOPAGE

Il arrive que de fines pièces de matériau coupées tombent à travers la pièce amovible de la table et dans le déversoir de poussière. Elles pourraient s'accumuler et faire obstacle à la collecte de la poussière. Votre scie à table est conçue avec un déversoir/ramasseur de poussière accessible sans outil pour permettre un nettoyage rapide et facile de cet espace.

1. Desserrez la vis de retenue du déversoir à poussière (Fig. 62).
2. Retirez le déversoir à poussière en le faisant glisser dans le sens opposé à l'outil, et utilisez-le pour nettoyer tous les débris.
3. Rattachez le déversoir à poussière et sécurisez-le en place au moyen de la vis de retenue.

**⚠ AVERTISSEMENT** L'outil ne doit pas être utilisé sans que le déversoir à poussière ne soit sécurisé au moyen de la vis de retenue.

Ne laissez pas de sciure s'accumuler à l'intérieur de la scie. Soufflez fréquemment la poussière qui peut s'être accumulée à l'intérieur du boîtier de la scie, du moteur ou des engrenages de réglage de la hauteur de la lame. Nettoyez vos outils de coupe (c. à d., les lames) avec un solvant pour la gomme et la poix.

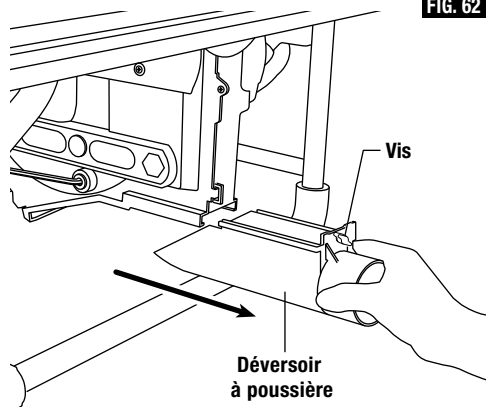
Nettoyez périodiquement le dispositif de protection. Essuyez-le ou nettoyez-le à l'air comprimé.

Essuyez le cordon d'alimentation et l'outil avec un tissu propre et sec pour empêcher la détérioration pouvant être causée par l'huile et la graisse.

**⚠ AVERTISSEMENT** Certains agents de nettoyage et solvants peuvent endommager les pièces en plastique. Citons notamment : l'essence, le tétrachlorure de carbone, les solvants de nettoyage chlorés, l'ammoniac et les détergents ménagers contenant de l'ammoniac. Si vous évitez d'employer ces types d'agents de nettoyage et certains autres agents de nettoyage similaires, vous réduirez au minimum le risque d'endommagement.

Une couche de cire pour automobile appliquée sur la table aidera à garder la surface propre et permettra aux ouvrages de glisser plus librement.

Si le cordon d'alimentation est usé ou coupé, ou endommagé de toute autre manière, faites-le remplacer immédiatement.



## Entretien de votre scie à table

Vérifiez que les dents des taquets ANTI-RE-BOND sont toujours bien affûtées. Pour les réaffûter :

1. Retirez le dispositif de protection de la lame.
2. Faites tourner le taquet vers l'arrière de l'écarteur de façon que les dents soient au-dessus du haut de l'écarteur.
3. Tenez l'écarteur avec le taquet au-dessus du coin d'un établi (Fig. 63).
4. Utilisez une petite lime ronde (coupe lisse) pour affûter les dents.

**AVERTISSEMENT** Toutes les réparations, électriques ou mécaniques, ne doivent être entreprises que par des techniciens qualifiés.

Adressez-vous au Centre de service usine ou au Centre de service après-vente agréé le plus proche, ou à un autre service de réparation compétent. N'utilisez que des pièces de rechange identiques. L'emploi de toute autre pièce pourrait créer des risques.

**AVERTISSEMENT** Pour réduire le risque de blessure, vérifiez périodiquement que toutes les attaches sont sécurisées et ajustées en fonction des instructions de montage incluses dans ce mode d'emploi.

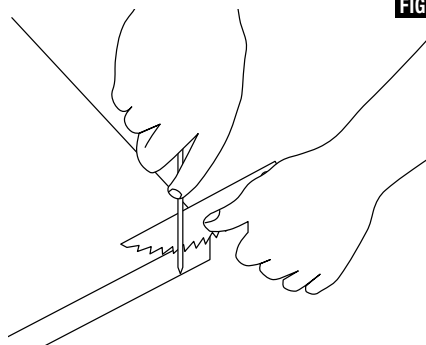


FIG. 66

### LUBRIFICATION

Tous les engrenages ont été complètement lubrifiés à l'usine. Cependant, entre une fois par semestre et une fois par an, en fonction de l'intensité d'utilisation, il est conseillé de rapporter votre outil dans le centre de service après-vente le plus proche pour les opérations de maintenance suivantes :

- Remplacement des balais.
- Nettoyage et inspection des pièces.
- Nouvelle lubrification à l'aide de lubrifiant propre.
- Vérification du système électrique.
- Toutes les réparations nécessaires.

Les pièces suivantes doivent être lubrifiées occasionnellement avec de l'huile SAE N° 20 ou N° 30, ou WD 40 (Fig. 64).

1. Réglage de la hauteur, des barres de support et des engrenages.
2. Rails de coulisse et supports.
3. Cames de verrouillage de la table (à l'avant et à l'arrière).

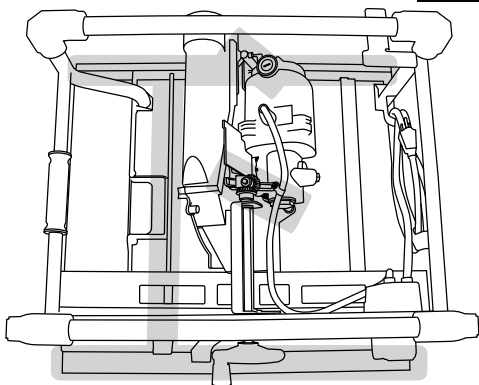


FIG. 67

## Entretien de votre scie à table

### LUBRIFICATION DE L'ENGRENAGE À VIS SANS FIN

Votre outil SKILSAW a été lubrifié correctement et est prêt à l'emploi. Cependant, il est recommandé que les engrenages ne soient lubrifiés à nouveau quand cela sera nécessaire qu'avec des lubrifiants SKILSAW : N° 80111 (tube de 8 oz).

Vérifiez toujours le niveau d'huile avant de commencer à vous servir de la scie. Au minimum, l'huile devrait être changée une fois par an en cas d'utilisation intensive, ou au bout d'environ 60 heures d'utilisation.

#### Pour vérifier le niveau et ajouter de l'huile :

Débranchez la fiche de la prise de courant. Mettez la lame dans sa position la plus basse. Placez la scie sur une surface plate et stable, avec la table orientée vers le haut (voir Fig. 65). Retirez le bouchon du réservoir d'huile en utilisant la clé de 1/2 po. Vérifiez pour vous assurer que le niveau d'huile n'est pas au-dessous du niveau des filets.

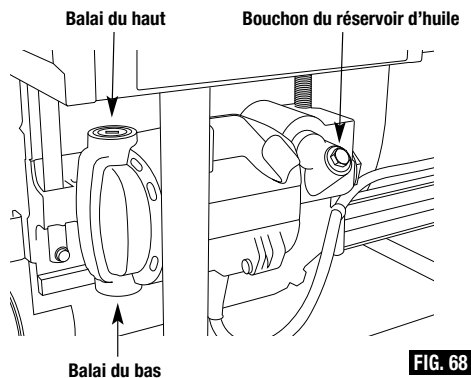
**Pour remplacer l'huile :** Placez un récipient pour la collecte de l'huile en dessous du robinet et inclinez doucement la scie à table vers le haut pour que le robinet à huile soit orienté vers le bas, dans la direction du récipient pour la collecte de l'huile, avec la poignée orientée vers le haut. Laissez l'huile couler pour vidanger le boîtier des engrenages. Placez la scie à table à nouveau en position horizontale sur ses pieds. En utilisant une pipette de remplissage d'huile, versez à nouveau de l'huile jusqu'à ce qu'elle atteigne les filets du bas du boîtier. Ne remplissez pas excessivement. Remettez le bouchon du réservoir d'huile en place lorsque vous aurez terminé. Nettoyez toutes les taches d'huile éventuelles sur les surfaces extérieures de l'outil avant de recommencer à l'utiliser.

**REMARQUE :** Si vous constatez que l'huile est sale ou épaisse, remettez le bouchon du réservoir d'huile en place et faites fonctionner la scie pendant une minute pour chauffer l'huile. Puis retirez le bouchon à nouveau et mettez la scie sens dessus-dessous pour vidanger toute l'huile. Ajoutez un lubrifiant SKILSAW frais (N° 80111). Avec une nouvelle scie, changez l'huile après les dix premières heures d'utilisation.

### BALAIS DE CHARBON

Les balais et le commutateur dans votre outil ont été conçus pour fonctionner sans problème pendant de nombreuses heures d'utilisation. Pour

maintenir le rendement optimal du moteur, nous recommandons d'examiner les balais tous les deux à six mois. Les balais ne doivent pas être recouverts de saletés ou de poussière. Les balais doivent être remplacés quand ils sont usés au point de n'avoir plus que 3/16 po de long. Les balais doivent pouvoir glisser librement dans les porte-balais sans coller.



#### Pour inspecter les balais :

1. Débranchez la fiche de la prise de courant.
2. Mettez la lame dans sa position la plus basse .
3. Pour inspecter le balai du haut : Placez la scie sur une surface plate et stable, avec la table orientée vers le haut. Pour inspecter le balai du bas : Placez la scie sur une surface plate et stable, avec le dispositif d'enroulement du cordon orienté vers le haut.
4. Desserrez le bouchon porte-balai sur le boîtier du moteur en le faisant tourner d'un quart de tour au moyen d'une pièce de monnaie ou d'un tournevis court, puis finissez de retirer le balai à la main. Notez dans quel sens le balai est orienté pour qu'il puisse être remis dans sa position d'origine.
5. Nettoyez l'ouverture du porte-balai à l'air comprimé ou avec un tissu propre.
6. Remettez le balai et le bouchon à leur place.

**AVERTISSEMENT** N'utilisez que des balais de remplacement SKILSAW authentiques conçus pour votre outil particulier.

## Accessoires recommandés

Item	Catalog No.
Stand pliant	SPT5003-FS
Élément amovible sans jeu	SPT5004-ZC
Élément amovible pour rainurage 1/2	SPT5005-DD

**⚠ AVERTISSEMENT** N'utilisez que des accessoires recommandés. Suivez les instructions qui accompagnent les accessoires. L'utilisation d'accessoires inadaptés peut présenter des dangers.

## Recherche de la cause des problèmes

**⚠ AVERTISSEMENT** Mettez l'interrupteur en position d'arrêt (« OFF ») et débranchez toujours la fiche de la source d'alimentation avant de commencer à chercher la cause des problèmes.

PROBLÈME	CAUSE	SOLUTION
La scie ne démarre pas	Le cordon d'alimentation n'est pas branché.	Branchez la scie.
	Le fusible est grillé ou le disjoncteur s'est déclenché.	Remplacez le fusible ou réinitialisez le disjoncteur qui s'est déclenché.
	Le cordon d'alimentation est endommagé.	Faites remplacer le cordon d'alimentation par un Centre de service après-vente ou de réparation agréé de SKILSAW.
	L'interrupteur est grillé.	Faites remplacer l'interrupteur par un Centre de service après-vente ou de réparation agréé de SKILSAW.
La lame ne tourne pas à la vitesse normale	Le cordon de rallonge est trop léger ou trop long.	Remplacez-le par un cordon adéquat.
	Tension d'alimentation insuffisante.	Contactez votre fournisseur d'énergie électrique.
Vibrations excessives	La poignée de verrouillage de l'angle de biseau n'a pas été serrée suffisamment.	Consultez la section « Familiarisez-vous avec votre scie à table ».
	La lame est déséquilibrée.	Jetez la lame et utilisez une autre lame.
	La scie n'est pas montée de façon suffisamment sécurisée sur le support ou l'établi.	Serrez tous les éléments de fixation pour le montage. Voir la section « Montage de la scie à table ».
	L'écrou de fixation de l'arbre n'est pas assez serré.	Consultez la section « Assemblage », « Changement de la lame ».

## Recherche de la cause des problèmes

<b>La scie se coince ou surchauffe en coupant, et le moteur cale lors de coupes longitudinales</b>	Lame émoussée avec dents incorrectes.	Aiguissez la lame ou remplacez-la.
	Planche gauchie.	Veillez à ce que la côté concave ou creux soit orienté vers le bas ; et faites avancer l'ouvrage lentement.
	Le guide de refente n'est pas parallèle à la lame.	Consultez la section « Réglages », « Alignement du guide de refente ».
	Le couteau diviseur est mal aligné.	Consultez la section « Réglages », « Alignement du couteau séparateur ».
<b>La coupe est inexacte à des angles de 90° et de 45°</b>	Les vis d'alignement ne sont pas ajustées correctement.	Consultez la section « Réglages », « Ajustement de la lame parallèlement aux fentes du guide d'onglet ».
<b>Plastic melts or blade tips overheat when cutting</b>	Feedrate to high.	Slow feedrate through blade.
	Blades tip not sharp.	Sharpen or replace blade.
<b>La roulette d'élévation de la poignée de verrouillage de l'inclinaison est difficile à déplacer.</b>	La poignée de verrouillage du biseau de la lame n'est pas desserrée au moment où l'utilisateur effectue le réglage de l'inclinaison.	Consultez la section « Familiarisez-vous avec votre scie à table », « Bouton de verrouillage de l'inclinaison de la lame ».
	Présence de sciure sur les filets des vis de profondeur.	Consultez la section « Entretien de votre scie à table », « Lubrification »,.
<b>Le disjoncteur se déclenche</b>	Le disjoncteur se déclenche de façon répétée pendant la coupe.	Remplacez la lame par une nouvelle lame. Réduisez la force appliquée sur l'ouvrage pendant la coupe.

# Índice

	Página		Página
Normas generales de seguridad . . . . .	101	Desempaquetado y comprobación del contenido. . . . .	115
Instrucciones de seguridad para sierras de mesa . . . . .	103	Herramientas necesarias para el ensamblaje y ajuste . . . . .	116
Normas de seguridad adicionales . . . . .	106	Ensamblaje . . . . .	117
Especificaciones del motor y requisitos eléctricos . . . . .	107	Almacenamiento, transporte y montaje . . . . .	123
Símbolos . . . . .	109	Ajustes . . . . .	125
Glosario de términos. . . . .	112	Mantenimiento de la sierra de mesa . . . . .	147
Familiarización con la sierra de mesa . . . . .	113	Accesorios recomendados. . . . .	149
		Resolución de problemas. . . . .	149

## **ADVERTENCIA**

**Cierto polvo generado por las operaciones de lijado, aserrado, amolado y taladrado con herramientas eléctricas, así como por otras actividades de construcción, contiene sustancias químicas que se sabe que causan cáncer, defectos de nacimiento u otros daños sobre la reproducción. Algunos ejemplos de estas sustancias químicas son:**

- Plomo procedente de pinturas a base de plomo,
- Sílice cristalina procedente de ladrillos y cemento y otros productos de mampostería, y
- Arsénico y cromo procedentes de madera de construcción tratada químicamente.

El riesgo para usted por causa de estas exposiciones varía, dependiendo de qué tan a menudo realice este tipo de trabajo. Para reducir su ex-

posición a estas sustancias químicas: trabaje en un área bien ventilada y trabaje con equipo de seguridad aprobado, tal como máscaras anti-polvo que estén diseñadas específicamente para impedir mediante filtración el paso de partículas microscópicas.

**Evite el contacto prolongado con el polvo procedente de las operaciones de lijado, aserrado, amolado y taladrado con herramientas eléctricas, así como de otras actividades de construcción. Use ropa protectora y lave las áreas expuestas del cuerpo con agua y jabón. Si deja que le entre polvo en la boca o en los ojos, o que le quede polvo en la piel, es posible que se promueva la absorción de sustancias químicas perjudiciales.**



## Normas generales de seguridad

**⚠ ADVERTENCIA** Lea todas las advertencias de seguridad, instrucciones, ilustraciones y especificaciones suministradas con esta herramienta eléctrica. Si no se siguen todas las instrucciones que se indican a continuación, es posible que el resultado sea descargas eléctricas, incendio y/o lesiones graves.

### GUARDE TODAS LAS ADVERTENCIAS E INSTRUCCIONES PARA REFERENCIA FUTURA.

La expresión “herramienta eléctrica” en las advertencias se refiere a su herramienta eléctrica operada por la red eléctrica (alámbrica) o su herramienta eléctrica alimentada por batería (inalámbrica).

### Seguridad en el área de trabajo

**Mantenga el área de trabajo limpia y bien iluminada.** Las áreas desordenadas u oscuras invitan a que se produzcan accidentes.

**No utilice herramientas eléctricas en atmósferas explosivas, tales como las existentes en presencia de líquidos, gases o polvos inflamables.** Las herramientas eléctricas generan chispas que es posible que prendan los polvos o los vapores.

**Mantenga alejados a los niños y a las personas que estén presentes mientras esté utilizando una herramienta eléctrica.** Las distracciones pueden hacer que usted pierda el control de la herramienta.

### Seguridad eléctrica

**Los enchufes de las herramientas eléctricas deben coincidir con el tomacorriente. No modifique nunca el enchufe de ninguna manera. No utilice enchufes adaptadores con herramientas eléctricas puestas a tierra (conectadas a tierra).** Los enchufes no modificados y los tomacorrientes coincidentes reducirán el riesgo de descargas eléctricas.

**Evite el contacto del cuerpo con las superficies puestas a tierra o conectadas a tierra, tales como tuberías, radiadores, cocinas y refrigeradores.** Hay un mayor riesgo de descargas eléctricas si su cuerpo está puesto o conectado a tierra.

**No exponga las herramientas eléctricas a la lluvia ni a condiciones mojadas.** Si entra agua en una herramienta eléctrica se aumentará el riesgo de descargas eléctricas.

**No abuse del cable de alimentación. No utilice nunca dicho cable para transportar, jalar o desconectar la herramienta eléctrica. Mantenga el cable de alimentación alejado del calor, el aceite, los bordes afilados o las piezas móviles.** Los cables dañados o enreda-

dos aumentan el riesgo de descargas eléctricas.

**Cuando utilice una herramienta eléctrica a la intemperie, use un cable de extensión que sea adecuado para uso a la intemperie.** La utilización de un cable de extensión adecuado para uso a la intemperie reduce el riesgo de descargas eléctricas.

**Si es inevitable utilizar una herramienta eléctrica en un lugar húmedo, utilice una fuente de alimentación protegida por un interruptor de circuito accionado por corriente de pérdida a tierra (GFCI, por sus siglas en inglés).** El uso de un GFCI reduce el riesgo de descargas eléctricas.

### Seguridad personal

**Manténgase alerta, fíjese en lo que está haciendo y use el sentido común cuando utilice una herramienta eléctrica.**

**No utilice una herramienta eléctrica cuando esté cansado o bajo la influencia de drogas, alcohol o medicamentos.** Es posible que un momento de descuido mientras se estén utilizando herramientas eléctricas cause lesiones corporales graves.

**Use equipo de protección personal. Use siempre protección de los ojos.** El equipo de protección, tal como una máscara antipolvo, zapatos de seguridad antideslizantes, casco o protección de la audición, utilizado según lo requieran las condiciones, reducirá las lesiones corporales.

**Evite el arranque accidental. Asegúrese de que el interruptor esté en la posición de apagado antes de conectar la unidad a una fuente de alimentación y / o a un paquete de batería, levantar la herramienta o transportarla.** Si se transportan herramientas eléctricas con el dedo en el interruptor o si se suministra corriente a herramientas eléctricas que tengan el interruptor en la posición de encendido se invita a que se produzcan accidentes.

**GUARDE ESTAS INSTRUCCIONES**

## Normas generales de seguridad

**Retire todas las llaves de ajuste o de tuerca antes de encender la herramienta eléctrica.** Es posible que una llave de ajuste o de tuerca que se deje sujeta a una pieza rotativa de la herramienta eléctrica cause lesiones corporales.

**No intente alcanzar demasiado lejos. Mantenga un apoyo de los pies y un equilibrio adecuados en todo momento.** Esto permite un mejor control de la herramienta eléctrica en situaciones inesperadas.

**Vístase adecuadamente. No use ropa holgada ni joyas. Mantenga el pelo, la ropa y los guantes alejados de las piezas móviles.** La ropa holgada, las joyas o el pelo largo pueden quedar atrapados en las piezas móviles.

**Si se proporcionan dispositivos para la conexión de instalaciones de extracción y recolección de polvo, asegúrese de que dichos dispositivos estén conectados y se utilicen correctamente.** El uso de recolección de polvo puede reducir los peligros relacionados con el polvo.

**No deje que la familiaridad obtenida del uso frecuente de las herramientas le permita volverse complaciente e ignorar los principios de seguridad de la herramienta.** Una acción descuidada puede causar lesiones graves en una fracción de segundo.

### Uso y cuidado de la herramienta eléctrica

**No fuerce la herramienta eléctrica. Utilice la herramienta eléctrica correcta para la aplicación que vaya a realizar.** La herramienta eléctrica correcta hará el trabajo mejor y de manera más segura a la capacidad nominal para la que fue diseñada.

**No utilice la herramienta eléctrica si el interruptor no la enciende y apaga.** Cualquier herramienta eléctrica que no se pueda controlar con el interruptor es peligrosa y debe ser reparada.

**Desconecte el enchufe de la fuente de alimentación y/o el paquete de batería de la herramienta eléctrica antes de hacer cualquier ajuste, cambiar accesorios o almacenar herramientas eléctricas.** Dichas medidas preventivas

de seguridad reducen el riesgo de arrancar accidentalmente la herramienta eléctrica.

**Almacene las herramientas eléctricas que no esté usando fuera del alcance de los niños y no deje que las personas que no estén familiarizadas con la herramienta eléctrica o estas instrucciones utilicen dicha herramienta.** Las herramientas eléctricas son peligrosas en las manos de usuarios que no hayan recibido capacitación.

**Realice mantenimiento de las herramientas eléctricas y los accesorios. Compruebe si hay desalineación o atoramiento de las piezas móviles, rotura de piezas y cualquier otra situación que pueda afectar al funcionamiento de la herramienta eléctrica. Si la herramienta eléctrica está dañada, haga que la reparen antes de utilizarla.** Muchos accidentes son causados por herramientas eléctricas mantenidas deficientemente.

**Mantenga las herramientas de corte afiladas y limpias.** Las herramientas de corte con bordes de corte afilados que reciben un mantenimiento adecuado tienen menos probabilidades de atorarse y son más fáciles de controlar.

**Utilice la herramienta eléctrica, los accesorios y las brocas de la herramienta, etc., de acuerdo con estas instrucciones, teniendo en cuenta las condiciones de trabajo y la tarea que se vaya a realizar.** El uso de la herramienta eléctrica para operaciones distintas a las previstas podría causar una situación peligrosa.

**Mantenga los mangos y las superficies de agarre secos, limpios y libres de aceite y grasa.** Los mangos y las superficies de agarre resbalosos no permiten un manejo y control seguros de la herramienta en situaciones inesperadas.

### Servicio de ajustes y reparaciones

**Haga que su herramienta eléctrica reciba servicio de ajustes y reparaciones por un técnico de reparaciones calificado que utilice únicamente piezas de repuesto idénticas.** Esto garantizará que se mantenga la seguridad de la herramienta eléctrica.

**GUARDE ESTAS INSTRUCCIONES**

# Instrucciones de seguridad para sierras de mesa

## Advertencias relacionadas con el uso de protectores

**Mantenga los protectores colocados en la posición correcta. Los protectores deben estar en buenas condiciones de funcionamiento y montados correctamente.** Un protector que esté flojo, dañado o que no esté funcionando correctamente debe ser reparado o reemplazado.

**Utilice siempre el protector de la hoja de sierra, la cuchilla separadora y el dispositivo antirretroceso para cada operación de corte pasante.** En el caso de operaciones de corte pasante en las que la hoja de sierra corte completamente a través del grosor de la pieza de trabajo, el protector y otros dispositivos de seguridad ayudarán a reducir el riesgo de lesiones.

**Reinstale inmediatamente el sistema de protección después de completar una operación (tal como cortes de rebajos, de mortajas o de reaserrado) que requiera la remoción del protector, la cuchilla separadora y/o el dispositivo antirretroceso.** El protector, la cuchilla separadora y el dispositivo antirretroceso ayudan a reducir el riesgo de lesiones.

**Asegúrese de que la hoja de sierra no esté haciendo contacto con el protector, la cuchilla separadora o la pieza de trabajo antes de poner el interruptor en la posición de encendido.** Un contacto accidental de estos elementos con la hoja de sierra podría causar una situación peligrosa.


**Ajuste la cuchilla separadora tal y como se describe en este manual de instrucciones.** Un espaciamiento, un posicionamiento y una alineación incorrectos pueden hacer que la cuchilla sea ineficaz para reducir las probabilidades de retroceso.

**Para que la cuchilla separadora y el dispositivo antirretroceso funcionen, deben estar acoplados en la pieza de trabajo.** La cuchilla separadora y el dispositivo antirretroceso son ineficaces al cortar piezas de trabajo que sean demasiado cortas para ser acopladas con la cuchilla separadora y el dispositivo antirretroceso. En estas condiciones la cuchilla separadora y el dispositivo antirretroceso no pueden prevenir un retroceso.

**Utilice la hoja de sierra adecuada para la cuchilla separadora.** Para que la cuchilla separadora funcione correctamente, el diámetro de la

hoja de sierra debe coincidir con la cuchilla separadora adecuada, el cuerpo de la hoja de sierra debe ser más delgado que el grosor de la cuchilla separadora y la anchura de corte de la hoja de sierra debe ser mayor que el grosor de la cuchilla separadora.

## Advertencias para los procedimientos de corte

** PELIGRO** **No ponga nunca los dedos ni las manos cerca de la hoja de sierra ni en línea con la misma.** Un momento de descuido o un resbalón podrían dirigir la mano hacia la hoja de sierra y causar lesiones corporales graves.

**Haga avanzar la pieza de trabajo hacia la hoja de sierra o el cortador solamente contra el sentido de giro.** Si se hace avanzar la pieza de trabajo en el mismo sentido en que la hoja de sierra esté rotando sobre la mesa, es posible que el resultado sea que la pieza de trabajo y la mano sean jaladas hacia la hoja de sierra.

**No utilice nunca el calibre de ingletes para hacer avanzar la pieza de trabajo al cortar al hilo y no utilice el tope-guía para cortar al hilo como tope de longitud al cortar transversalmente con el calibre de ingletes.** Si se guía la pieza de trabajo con el tope-guía para cortar al hilo y el calibre de ingletes al mismo tiempo, se aumenta la probabilidad de que la hoja de sierra se atore y experimente retroceso.

**Cuando corte al hilo, aplique siempre la fuerza de avance de la pieza de trabajo entre el tope-guía y la hoja de sierra. Utilice un palo de empuje cuando la distancia entre el tope-guía y la hoja de sierra sea menor de 6 pulgadas (150 mm) y utilice un bloque de empuje cuando la distancia sea menor de 2 pulgadas (50 mm).** Los dispositivos de "ayuda al trabajo" mantendrán la mano a una distancia segura de la hoja de sierra.

**Utilice únicamente el palo de empuje suministrado por el fabricante o construido de acuerdo con las instrucciones.** El palo de empuje proporciona suficiente distancia de la mano a la hoja de sierra.

**No utilice nunca un palo de empuje dañado o cortado.** Es posible que un palo de empuje dañado se rompa y haga que la mano se deslice hacia la hoja de sierra.

## Instrucciones de seguridad para sierras de mesa

**No realice ninguna operación “a pulso”. Utilice siempre el tope-guía para cortar al hilo o el calibre de ingletes para posicionar y guiar la pieza de trabajo.** “A pulso” significa utilizar las manos para soportar o guiar la pieza de trabajo, en lugar de un tope-guía para cortar al hilo o un calibre de ingletes. El aserrado a pulso causa desalineación, atoramiento y retroceso.

**No ponga las manos alrededor de una hoja de sierra que esté rotando ni sobre ella.** Si intenta alcanzar una pieza de trabajo con las manos, es posible que el resultado sea un contacto accidental con la hoja de sierra que está en movimiento.

**Proporcione soporte auxiliar de la pieza de trabajo a la parte trasera y/o los lados de la sierra de mesa en el caso de piezas de trabajo largas y/o anchas para mantenerlas niveladas.** Una pieza de trabajo larga y/o ancha tiene tendencia a pivotar sobre el borde de la mesa y con ello causar pérdida de control, atoramiento de la hoja de sierra y retroceso.

**Haga avanzar la pieza de trabajo a una velocidad uniforme. No curve ni tuerza la pieza de trabajo. Si ocurre retroceso, apague inmediatamente la herramienta, desenchúfela y despeje el atoramiento.** Si la hoja de sierra se atora en la pieza de trabajo, el resultado puede ser retroceso o que el motor se detenga.

**No retire los pedazos de material cortado mientras la sierra esté en funcionamiento.** Es posible que el material resulte atrapado entre el tope-guía o dentro del protector de la hoja de sierra y la hoja de sierra, y jale los dedos del operador hacia la hoja de sierra. Apague la sierra y espere hasta que la hoja de sierra se detenga antes de retirar el material.

**Utilice un tope-guía auxiliar en contacto con el tablero de la mesa cuando corte al hilo piezas de trabajo de menos de 2 mm de grosor.** Es posible que una pieza de trabajo delgada forme una cuña debajo del tope-guía para cortar al hilo y cree un retroceso.

### Causas del retroceso y advertencias relacionadas

El retroceso es una reacción repentina de la pieza de trabajo debido a una hoja de sierra pellizcada o atorada, una línea de corte desalineada en la pieza

de trabajo respecto a la hoja de sierra, o cuando una parte de la pieza de trabajo se atora entre la hoja de sierra y el tope-guía para cortar al hilo u otro objeto fijo.

Con más frecuencia, durante el retroceso, la pieza de trabajo es elevada de la mesa por la parte trasera de la hoja de sierra y es propulsada hacia el operador.

El retroceso es el resultado de un uso indebido de la sierra y/o procedimientos o situaciones de utilización incorrectos que se pueden evitar tomando las precauciones adecuadas, tal y como se indica a continuación.

**No se coloque nunca directamente en línea con la hoja de sierra. Posicione siempre el cuerpo en el mismo lado de la hoja de sierra que el tope-guía.** Es posible que el retroceso propulse la pieza de trabajo a alta velocidad hacia cualquier persona que esté ubicada delante de la hoja de sierra y en línea con ella.

**No ponga las manos nunca sobre la hoja de sierra ni detrás de ella para jalar o soportar la pieza de trabajo.** Es posible que se produzca un contacto accidental con la hoja de sierra o puede que un retroceso arrastre los dedos del operador hacia la hoja de sierra.

**No sujete ni presione nunca la pieza de trabajo que se esté cortando contra la hoja de sierra que rota.** Si se presiona la pieza de trabajo que se esté cortando contra la hoja de sierra se creará una situación de atoramiento y retroceso.

**Alinee el top-guía para que esté paralelo a la hoja de sierra.** Un tope-guía desalineado pellizcará la pieza de trabajo contra la hoja de sierra y creará un retroceso.

**Utilice una tabla con canto biselado para guiar la pieza de trabajo contra la mesa y el tope-guía cuando realice cortes no pasantes, tales como cortes de rebajos, cortes de mortajas o de reaserrado.** Una tabla con canto biselado ayuda a controlar la pieza de trabajo en caso de retroceso.

**Tenga precaución adicional cuando realice un corte en áreas ciegas de piezas de trabajo ensambladas.** Es posible que la hoja de sierra que sobresale corte objetos que pueden causar retroceso.

**GUARDE ESTAS INSTRUCCIONES**

## Instrucciones de seguridad para sierras de mesa

**Suporte los paneles grandes para minimizar el riesgo de que la hoja de sierra sufra un pellizcamiento y experimente retroceso.** Los paneles grandes tienden a arquearse bajo su propio peso. Se deben colocar uno o más soportes debajo de todas las partes del panel que sobresalgan del tablero de la mesa.

**Tenga precaución adicional cuando corte una pieza de trabajo que esté torcida, tenga nudos, esté combada o no tenga un borde recto para guiarla con un calibre de ingletes o a lo largo del tope-guía.** Una pieza de trabajo combada, con nudos o torcida es inestable y causa desalineación de la sección de corte con la hoja de sierra, atoramiento y retroceso.

**No corte nunca más de una pieza de trabajo, apilada vertical u horizontalmente.** La hoja de sierra podría enganchar una o más piezas y causar retroceso.

**Cuando rearranque la sierra con la hoja de sierra en la pieza de trabajo, centre la hoja de sierra en la sección de corte de manera que los dientes de la sierra no estén acoplados en el material.** Si la hoja de sierra se atora, es posible que levante la pieza de trabajo y cause retroceso al rearrancar la sierra.

**Mantenga las hojas de sierra limpias, afiladas y con un triscado suficiente. No utilice nunca hojas de sierra combadas ni hojas de sierra con dientes agrietados o rotos.** Las hojas de sierra afiladas y con un triscado adecuado minimizan el atoramiento, la detención del motor y el retroceso.

### Advertencias para los procedimientos de utilización de la sierra de mesa

**Apague la sierra de mesa y desconecte el cable de alimentación cuando retire el inserto de la mesa, cambie la hoja de sierra o haga ajustes a la cuchilla separadora, el dispositivo antirretroceso o el protector de la hoja de sierra, y cuando la máquina se deje desatendida.** Las medidas de precaución evitarán los accidentes.

**No deje nunca desatendida la sierra de mesa mientras esté en funcionamiento. Apáguela y no deje la herramienta hasta que se detenga por completo.** Una sierra que esté funcionando desatendida es un peligro incontrolado.

**Ubique la sierra de mesa en un área bien iluminada y nivelada en la que usted pueda mantener un buen apoyo de los pies y un buen equilibrio. Se deberá instalar en un área que ofrezca suficiente espacio para manejar fácilmente el tamaño de la pieza de trabajo.** Las áreas estrechas y oscuras, así como los pisos resbalosos desiguales, invitan a que se produzcan accidentes.

**Elimine y retire frecuentemente el aserrín de debajo de la mesa de la sierra y/o el dispositivo de recolección de polvo.** El aserrín acumulado es combustible y es posible que se autoincendie.

**La sierra de mesa se debe sujetar firmemente.** Es posible que una sierra de mesa que no esté correctamente sujeta se mueva o vuelque.

**Retire las herramientas, los pedazos de madera de desecho, etc., de la mesa antes de encenderla.** Una distracción o un atoramiento potencial pueden ser peligrosos.

**Utilice siempre hojas de sierra con el tamaño y la forma correctos (adiamantados frente a redondos) de los agujeros para el eje portaherramienta.** Las hojas de sierra que no coincidan con los herrajes de montaje de la sierra girarán descentradas, con lo cual causarán pérdida de control.

**No utilice nunca medios de montaje de la hoja de sierra que estén dañados o sean incorrectos, tales como pestañas, arandelas de hoja de sierra, pernos o tuercas.** Estos medios de montaje se diseñaron especialmente para su sierra con el fin de que funcione de manera segura y brinde un rendimiento óptimo.

**No se suba nunca a la sierra de mesa; no la utilice como taburete-escalera.** Podrían ocurrir lesiones graves si la herramienta vuelca o en caso de contacto accidental con la herramienta de corte.

**Asegúrese de que la hoja de sierra esté instalada para rotar en el sentido correcto. No utilice ruedas de amolar, cepillos de alambre ni ruedas abrasivas en una sierra de mesa.** Es posible que una instalación incorrecta de la hoja de sierra o el uso de accesorios no recomendados cause lesiones graves.

**GUARDE ESTAS INSTRUCCIONES**

## Normas de seguridad adicionales

**HAGA EL TALLER A PRUEBA DE NIÑOS** con candados e interruptores maestros.

**Utilice únicamente accesorios recomendados.** Utilice únicamente accesorios recomendados por el fabricante de su modelo. Es posible que otros accesorios sean peligrosos.

**No utilice ninguna hoja u otra herramienta de corte marcada para una velocidad de funcionamiento de menos de 5300 R.P.M.** Riesgo de lesiones graves.

**Asegúrese de que la hoja u otra herramienta de corte, las arandelas y la tuerca del eje portaherramienta estén instaladas correctamente.** Consulte las instrucciones para la retirada e instalación de la hoja.

**No utilice nunca la sierra a menos que el inserto adecuado esté instalado.** Asegúrese de que el inserto de la mesa esté al ras o ligeramente por debajo de la superficie de la mesa en la parte delantera y al ras o ligeramente por encima de la parte trasera del inserto.

**Inspeccione siempre la sierra de mesa antes de cada uso.** Si cualquier pieza de la sierra falta, funciona incorrectamente o se ha dañado o caído (como por ejemplo el interruptor del motor u otro control operativo, un dispositivo de seguridad o el cable de alimentación), detenga la utilización de inmediato hasta que la pieza en particular sea reparada o reemplazada adecuadamente.

**El plástico y los materiales compuestos (como el tablero de aglomerado) se pueden cortar con esta sierra. Sin embargo, como estos materiales suelen ser bastante duros y resbalosos, es posible que los trinquetes antirretroceso no detengan un retroceso.** Por lo tanto, preste atención especial a seguir los procedimientos adecuados de configuración y corte para realizar cortes al hilo. No se sitúe, ni permita que nadie más se sitúe, en línea con un posible retroceso.

**Tenga precaución adicional al retirar el ensamblaje del protector para reaserrar, cortar mortajas, cortar rebajos o cortar molduras.** Reinstale el protector en cuanto la operación se haya completado.

**Utilice un refrentado auxiliar en el calibre de ingletes para aumentar la estabilidad y el control.** Las operaciones de corte transversal se re-

alizan de manera más conveniente y con mayor seguridad si se coloca una tabla de refrentado de madera auxiliar en el calibre de ingletes. Consulte "Refrentado auxiliar para el tope-guía para cortar al hilo".

**Evite las operaciones extrañas y las posiciones difíciles de las manos,** en las cuales un resbalón repentino podría hacer que los dedos o la mano se muevan hacia la hoja de sierra u otra herramienta de corte.

**Si la hoja de sierra se detiene o se atora en la pieza de trabajo, "APAGUE" la sierra y desenchufe la herramienta, retire la pieza de trabajo de la hoja de sierra y compruebe dicha hoja para ver si está paralela a las ranuras o acanaladuras de la mesa y si la cuchilla separadora está alineada correctamente con la hoja de sierra.** Si está cortando al hilo en ese momento, compruebe el tope-guía para cortar al hilo para ver si está paralelo a la hoja de sierra. Reajústelo tal y como se indica.

**Piense en la seguridad.** La seguridad es una combinación de sentido común y alerta por parte del operador en todo momento cuando se esté utilizando la sierra de mesa.

**⚠ ADVERTENCIA** La utilización de cualquier herramienta eléctrica puede tener como resultado que se arrojen objetos extraños hacia los ojos, lo cual puede causar daños oculares graves. Use siempre anteojos de seguridad que cumplan con ANSI Z87.1 (mostrados en el paquete) antes de comenzar a utilizar la herramienta eléctrica.



Protección de ojo del desgaste

**Antes de cada uso, repase todas las advertencias que se encuentran en la sierra de mesa.**

**GUARDE ESTAS INSTRUCCIONES**



## Especificaciones del motor y requisitos eléctricos

### Especificaciones del motor

En caso de mal funcionamiento o avería, la conexión a tierra proporciona un camino de resistencia mínima para la corriente eléctrica, con el fin de reducir el riesgo de descargas eléctricas. Esta herramienta está equipada con un cable eléctrico que tiene un conductor de conexión a tierra del equipo y un enchufe de conexión a tierra. El enchufe se debe introducir en un tomacorriente coincidente que esté instalado y conectado a tierra adecuadamente, de acuerdo con todos los códigos y ordenanzas locales. Esta sierra está cableada para funcionar con corriente alterna de 120 V, 60 Hz. Antes de conectar el cable eléctrico del motor a una fuente de alimentación, asegúrese de que el interruptor esté en la posición de "APAGADO" ("OFF") y asegúrese de que la corriente eléctrica tenga las mismas características que las especificadas en la placa de identificación de la sierra de mesa.

### Conexión a una fuente de alimentación

Esta máquina debe estar conectada a tierra mientras se esté utilizando, para proteger al operador contra las descargas eléctricas.

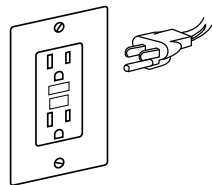
Enchufe el cable de alimentación en un tomacorriente de tipo conectado a tierra apropiadamente de 120 V, protegido por un fusible o cortacircuitos de acción retardada con elemento dual de 15 A.

No todos los tomacorrientes están conectados a tierra apropiadamente. Si no está seguro si su tomacorriente, tal y como se muestra en esta página, está conectado a tierra apropiadamente, haga que un electricista calificado lo compruebe.

**⚠ ADVERTENCIA** Para evitar las descargas eléctricas, no toque los terminales metálicos del enchufe cuando inserte el enchufe en el tomacorriente ni cuando lo saque del mismo.

**⚠ ADVERTENCIA** Si esta herramienta eléctrica no se conecta apropiadamente a tierra, el resultado puede ser electrocución o descargas eléctricas fuertes, especialmente cuando se utilice cerca de instalaciones de plomería metálicas u otros objetos metálicos. Si usted recibe una descarga eléctrica, su reacción podría hacer que las manos golpeen la herramienta.

**⚠ ADVERTENCIA** Si el cable de alimentación está desgastado, cortado o dañado de alguna manera, haga que lo reemplacen inmediatamente para evitar un peligro de descargas eléctricas o incendio.



Su unidad está diseñada para utilizarse con 120 V y está equipada con un cable de alimentación de 3 conductores y un enchufe tipo de conexión a tierra, aprobados por Underwriters Laboratories y la Canadian Standards Association. El conductor de conexión a tierra tiene una envoltura verde y está sujeto a la carcasa de la herramienta en un extremo y al terminal de conexión a tierra del enchufe de conexión en el otro extremo.

Si el tomacorriente que piensa utilizar para esta herramienta eléctrica es del tipo de dos terminales, NO QUITE NI ALTERE DE NINGUNA MANERA EL TERMINAL DE CONEXIÓN A TIERRA. Haga que un electricista calificado reemplace el tomacorriente para DOS terminales por un tomacorriente para TRES terminales conectado a tierra adecuadamente. No utilice enchufes adaptadores.

Una conexión incorrecta del conductor de conexión a tierra del equipo puede causar un riesgo de descargas eléctricas. El conductor con aislamiento que tiene una superficie exterior de color verde con o sin franjas amarillas es el conductor de conexión a tierra del equipo. Si es necesario reparar o reemplazar el cable eléctrico o el enchufe, no conecte el conductor de conexión a tierra del equipo a un terminal con corriente.

## Especificaciones del motor y requisitos eléctricos

Consulte a un electricista calificado o a personal de servicio calificado si no entiende completamente las instrucciones de conexión a tierra o si tiene dudas sobre si la herramienta está conectada a tierra adecuadamente.

### Cables de extensión

**⚠ ADVERTENCIA** Reemplace inmediatamente los cables dañados. El uso de cables de extensión dañados puede causar descargas eléctricas, quemaduras o electrocución.

**⚠ ADVERTENCIA** Utilice siempre cables de extensión apropiados.

Utilice únicamente cables de extensión de tres cables que tengan enchufes de tipo de conexión a tierra de tres terminales y tomacorrientes para tres polos que acepten el enchufe de la herramienta. Si se necesita un cable de extensión, se debe utilizar un cable con conductores de tamaño adecuado para prevenir una caída de tensión excesiva, pérdida de potencia o sobrecalentamiento. La tabla muestra el tamaño correcto que se debe utilizar, según la longitud del cable de extensión y la capacidad nominal en amperes indicada en la placa del fabricante de la herramienta. En caso de duda, utilice la medida más gruesa siguiente. Utilice siempre cables de extensión homologados por U.L. y la CSA.

### TAMAÑOS RECOMENDADOS DE LOS CABLES DE EXTENSIÓN PARA HERRAMIENTAS DE CORRIENTE ALTERNA DE 120 V

Capacidad nominal en amperes de la herramienta	Tamaño del cable en A.W.G.				Tamaños de cable en mm <sup>2</sup>			
	Longitud del cable en pies				Longitud del cable en metros			
	25	50	100	150	15	30	60	120
3-6	18	16	16	14	0.75	0.75	1.5	2.5
6-8	18	16	14	12	0.75	1.0	2.5	4.0
8-10	18	16	14	12	0.75	1.0	2.5	4.0
10-12	16	16	14	12	1.0	2.5	4.0	–
12-16	14	12	–	–	–	–	–	–

**NOTA:** Cuanto más pequeño es el número de calibre, más grueso es el cable.







# Símbolos

## Símbolos de seguridad

El objetivo de los símbolos de seguridad es captar su atención ante posibles peligros. Los símbolos de seguridad y las explicaciones que se dan merecen su atención y comprensión cuidadosa. Las advertencias del símbolo no eliminan por sí mismas ningún peligro. Las instrucciones y las advertencias que se dan no son substitutos de las medidas adecuadas de prevención de accidentes.

**⚠ ADVERTENCIA** asegúrese de leer y de comprender todas las instrucciones de seguridad en este manual del propietario, incluidos todos los símbolos de alerta de seguridad como “PELIGRO”, “ADVERTENCIA” y “PRECAUCIÓN” antes de usar esta herramienta. El incumplimiento de las siguientes instrucciones puede provocar descargas eléctricas, incendios y/o lesiones personales graves.

Las definiciones que se ofrecen a continuación describen el nivel de gravedad de cada símbolo. Lea el manual y preste atención a dichos símbolos.	
	Este es el símbolo de advertencia de seguridad. Se utiliza para advertirlo de los peligros de posibles lesiones personales. Cumpla con todos los mensajes de seguridad a continuación de este símbolo para evitar posibles lesiones o consecuencias fatales.
	PELIGRO indica una situación de peligro que, de no evitarse, ocasionará la muerte o lesiones graves.
	ADVERTENCIA indica una situación potencialmente peligrosa que, de no evitarse, puede ocasionar la muerte o lesiones graves.
	PRECAUCIÓN, se usa con el símbolo de advertencia de seguridad e indica una situación peligrosa que, de no evitarse, puede causar lesiones menores o moderadas.

## Mensajes de prevención de daños e información

Estos mensajes informan al usuario sobre informaciones y/o instrucciones importantes que, de no seguirse, pueden causar daños al equipo o la propiedad. Antes de cada mensaje, aparece la palabra “AVISO”, como en el ejemplo a continuación:

**AVISO:** Si no se siguen estas instrucciones se pueden producir daños al equipo o la propiedad.



**⚠ ADVERTENCIA** durante el funcionamiento de cualquier herramienta eléctrica, pueden entrar objetos extraños a los ojos y causar graves daños oculares. Use siempre lentes o gafas de seguridad con protecciones laterales y, cuando sea necesario, un protector facial que cubra todo el rostro antes de comenzar a operar una herramienta eléctrica. Recomendamos usar una máscara de seguridad de visión amplia sobre los lentes o las gafas de seguridad estándar con protección lateral. Siempre use lentes de protección que cumplan con la norma ANSI Z87.1.

## Símbolos (continuación)

**IMPORTANTE:** Algunos de los siguientes símbolos pueden aparecer en sus herramientas. Obsérvelos y conozca su significado. La interpretación correcta de estos símbolos le permitirá utilizar la herramienta de manera eficaz y segura.

Símbolo	Nombre	Designación/Explicación
V	Voltios	Voltaje (potencial)
A	Amperios	Corriente
Hz	Hertz	Frecuencia (ciclos por segundo)
W	Vatios	Alimentación
kg	Kilogramos	Peso
min	Minutos	Hora
s	Segundos	Hora
Wh	Vatio por horas	Capacidad de la batería
Ah	Amperios por hora	Capacidad de la batería
∅	Diámetro	Tamaño de las brocas para taladro, piedras de amolar, etc.
$n_0$	Velocidad sin carga	Velocidad de rotación sin carga
n	Rango de velocidad	Velocidad máxima alcanzable
.../min	Revoluciones o pasadas por minuto	Revoluciones, pasadas, velocidad de superficie, órbitas, etc. por minuto
0	Posición de apagado	Velocidad cero, torsión cero...
→	Flecha	Acción en la dirección de la flecha
~	Corriente alterna	Tipo o característica de corriente
—	Corriente directa	Tipo o característica de corriente
	Símbolo de lectura del manual	Indica al usuario que lea el manual
	Símbolo de uso de lentes de protección	Siempre use gafas o lentes de seguridad con protecciones laterales y una careta protectora cuando opere este producto
	Use una máscara	Recomendación para que el operador use una máscara antipolvo.
	Use protección de oídos	Recomendación para que el operador use protección de oídos.

## Símbolos (información de certificación)

**IMPORTANTE:** Algunos de los siguientes símbolos de información de certificación pueden aparecer en sus herramientas. Obsérvelos y conozca su significado. La interpretación correcta de estos símbolos le permitirá utilizar la herramienta de manera eficaz y segura.

Símbolo	Designación/Explicación
	Este símbolo designa que esta herramienta está incluida en la lista de Underwriters Laboratories.
	Este símbolo designa que esta herramienta es reconocida por Underwriters Laboratories.
	Este símbolo designa que esta herramienta está incluida en la lista de Underwriters Laboratories, conforme a las normas de Estados Unidos y Canadá.
	Este símbolo designa que esta herramienta está incluida en la lista de Canadian Standards Association.
	Este símbolo designa que esta herramienta está incluida en la lista de Canadian Standards Association, conforme a las normas de Estados Unidos y Canadá.
	Este símbolo designa que esta herramienta está incluida en la lista de Intertek Testing Services, conforme a las normas de Estados Unidos y Canadá.
	Este símbolo designa que esta herramienta cumple con las normas NOM de México.

## Glosario de términos

**TRINQUETES ANTIRRETROCESO:** Unos “dedos” accionados por resorte que se acoplan a la pieza de trabajo mientras se hace que ésta avance a través de la sierra. Restringen el movimiento de la pieza de trabajo hacia atrás, en el sentido del operador.

**EJE PORTAHERRAMIENTA:** El eje en el que se monta una herramienta de corte.

**PROTECTOR DE BARRERA:** Un ensamblaje que consiste en la horquilla de montaje y dos barreras laterales. Este ensamblaje está diseñado para proporcionar una barrera física entre el operador y la hoja de sierra que gira.

**BISEL:** Ángulo de la hoja en relación con la superficie de la mesa.

**CORTE TRANSVERSAL:** Una operación de corte o conformado que se realiza transversalmente a la anchura de la pieza de trabajo, cortando la misma para que tenga la longitud deseada.

**MORTAJA:** Un corte no pasante que produce una muesca o acanaladura de lados en ángulo recto en la pieza de trabajo.

**TABLA CON CANTO BISELADO:** Un dispositivo que puede ayudar a guiar piezas de trabajo durante una operación del tipo de corte al hilo manteniendo la pieza de trabajo en contacto con el tope-guía para cortar al hilo. También ayuda al prevenir el retroceso.

**A PULSO:** La realización de un corte sin utilizar un tope-guía, un calibre de ingletes, un dispositivo de fijación, un accesorio de sujeción u otro dispositivo adecuado para evitar que la pieza de trabajo se tuerza durante el corte y pueda ser un peligro para la seguridad.

**GOMA:** Un residuo pegajoso a base de savia procedente de productos de madera. Después de endurecerse se conoce como “RESINA”.

**TALONAJE:** Desalineación de la hoja que hace que el lado posterior o de salida de la hoja entre en contacto con la superficie cortada de la pieza de trabajo. El talonaje puede causar retroceso, atoramiento, fuerza excesiva, quemadura de la pieza de trabajo o astillado. En general, el talonaje produce un corte de mala calidad y puede constituir un peligro para la seguridad.

**SECCIÓN DE CORTE:** El espacio de la pieza de trabajo de donde la hoja quitó el material.

**RETROCESO:** Un agarre y lanzamiento incontralados de la pieza de trabajo hacia atrás, hacia la parte delantera de la sierra, durante una operación del tipo de corte al hilo.

**EXTREMO DE AVANCE:** El extremo de la pieza de trabajo que durante una operación del tipo de corte al hilo es empujado primero hacia la herra-

menta de corte.

**CORTE DE MOLDURA:** Un corte no pasante que produce una forma especial en la pieza de trabajo; se utiliza para realizar uniones o decoración.

**ASERRADO NO PASANTE:** Toda operación de corte en la cual la hoja no atraviesa completamente la pieza de trabajo (p. ej., corte de mortajas, corte de rebajos).

**PARALELO:** Posición del tope-guía para cortar al hilo igual en distancia en cada punto de la cara lateral de la hoja de sierra.

**PERPENDICULAR:** Intersección o posición a 90° (ángulo recto) de los planos vertical y horizontal, tal como la posición de la hoja de sierra (vertical) respecto a la superficie de la mesa (horizontal).

**BLOQUE DE EMPUJE:** Un dispositivo utilizado para operaciones del tipo de corte al hilo en piezas de trabajo demasiado estrechas para permitir el uso de un palo de empuje. Utilice un bloque de empuje para anchuras de corte al hilo de menos de 2 pulgadas.

**PALO DE EMPUJE:** Un dispositivo utilizado para hacer avanzar la pieza de trabajo a través de la sierra durante operaciones del tipo de corte al hilo en piezas de trabajo estrechas y que ayuda a mantener las manos del operador bien alejadas de la hoja. Utilice el palo de empuje para anchuras de corte al hilo de menos de 6 pulgadas y más de 2 pulgadas.

**REBAJO:** Una muesca en el borde de una pieza de trabajo. También se le llama mortaja de borde.

**REVOLUCIONES POR MINUTO (R.P.M.):** El número de vueltas completadas en un minuto por un objeto que gira.

**CORTE AL HILO:** Una operación de corte a lo largo de la longitud de la pieza de trabajo cortándola con la anchura deseada.

**CUCHILLA SEPARADORA O SEPARADOR:** Un dispositivo que mantiene la sección de corte de la pieza de trabajo abierta a medida que se va cortando el material. Esto minimiza el potencial de atoramiento de la pieza de trabajo contra la hoja de sierra.

**PROTECTOR INTELIGENTE SMART GUARD:** Un sistema integrado por 3 componentes: Cuchilla separadora / separador, trinquetes antirretroceso y protector de barrera principal.

**ASERRADO PASANTE:** Toda operación de corte en la cual la hoja atraviesa completamente la pieza de trabajo.

**PIEZA DE TRABAJO:** El objeto en el cual se está realizando la operación de corte. Las superficies de una pieza de trabajo se conocen comúnmente como caras, extremos y bordes.

## Familiarización con la sierra de mesa

### 1. INTERRUPTOR DE ALIMENTACIÓN

El interruptor incorpora un agujero para utilizarse con un candado con el fin de prevenir el arranque accidental.

### 2. RUEDA DE ELEVACIÓN

Eleva o baja la hoja. También se utiliza para inclinar la hoja de 0 a 45 grados. La capacidad de corte a 0 grados es de 2-5/8 pulgadas (68 mm). La capacidad de corte a 45 grados es de 1-7/8 pulgadas (48 mm).

### 3. MANGO DE FIJACIÓN DEL BISEL DE LA HOJA

Fija la hoja en el ángulo de bisel deseado.

### 4. ESCALA DE BISEL DE LA HOJA

Muestra el grado de inclinación de la hoja. El intervalo de bisel total es -1 a 46.5 grados.

### 5. BASE

Soporta la sierra de mesa. La base cuenta con agujeros para empujar la sierra a un banco de trabajo o una base de soporte. Incluye un asa de transporte integrada.

### 6. PALO DE EMPUJE Y ÁREA DE ALMACENAMIENTO

Le permite cortar al hilo piezas de material más pequeñas con un mayor nivel de seguridad.

### 7. MANGO DE FIJACIÓN DE LOS RIELES

Le permite fijar el tope-guía a las distancias deseadas.

### 8. SOPORTE PARA LA PIEZA DE TRABAJO BAJA/TOPE-GUÍA AUXILIAR

Proporciona soporte para piezas de trabajo más anchas al extender el tope-guía más allá de la mesa.

### 9. TOPE-GUÍA PARA CORTAR AL HILO

Proporciona soporte auxiliar (en la posición inferior) y soporte sobre la mesa (posición superior). Se sujeta firmemente a los rieles en 3 posiciones con los pestillos de fijación ubicados a ambos extremos.

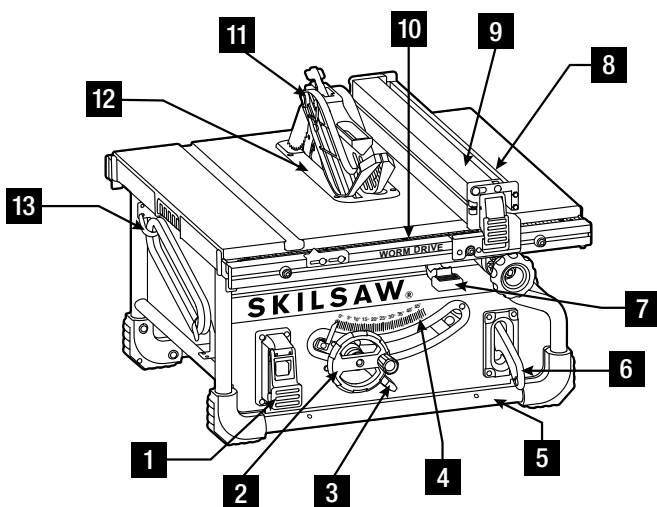
### 10. ESCALA DEL TOPE-GUÍA PARA CORTAR AL HILO

Muestra la distancia desde la hoja hasta el tope-guía para cortar al hilo 12 pulgadas hacia la izquierda y 25 pulgadas hacia la derecha.

### 11. SISTEMA DE PROTECTOR INTELIGENTE SMART GUARD

Consiste en tres elementos clave: Cuchilla separadora (separador), dispositivo antirretroceso y dispositivo protector de barrera. Todos estos elementos son parte de un sistema modular que no requiere herramientas para ensamblarlo o desensamblarlo. Este sistema de protector debe estar colocado siempre y funcionar correctamente para todos los cortes de aserrado pasante.

FIG. 1



## Familiarización con la sierra de mesa

### 12. INSERTO DE LA MESA

Es extraíble para quitar o instalar la hoja u otras herramientas de corte.

### 13. ENROLLADOR DEL CABLE DE ALIMENTACIÓN

Le permite sujetar de manera firme y fácil el cable de alimentación para que no estorbe durante el transporte o almacenamiento de la herramienta.

### 14. MESA

Proporciona una superficie de trabajo grande para soportar la pieza de trabajo.

### 15 CALIBRE DE INGLETES

La cabeza se puede fijar en la posición deseada para realizar cortes transversales o cortes al hilo, apretando el pomo de fijación. FÍJELA SIEMPRE FIRMEMENTE CUANDO SE ESTÉ UTILIZANDO.

### 16. ÁREA DE ALMACENAMIENTO DEL DISPOSITIVO ANTIRRETROCESO

Ubicación de almacenamiento para el dispositivo antirretroceso cuando éste no se está utilizando o cuando se transporta o almacena la sierra de mesa.

### 17. ÁREA DE ALMACENAMIENTO DEL TOPE-GUÍA PARA CORTAR AL HILO

Ubicación de almacenamiento para el tope-guía para cortar al hilo cuando se transporta o almacena la sierra de mesa.

### 18. ÁREA DE ALMACENAMIENTO DEL CALIBRE DE INGLETES

Ubicación de almacenamiento para el calibre de ingletes cuando éste no se está utilizando o cuando se transporta o almacena la sierra de mesa.

### 19. LLAVE HEXAGONAL Y ÁREA DE ALMACENAMIENTO

Llave hexagonal para ajustar la cuchilla separadora /separador y diversas cabezas hexagonales en la sierra.

### 20. LLAVE DE TUERCA Y ÁREA DE ALMACENAMIENTO

Llave de tuerca para retirar e instalar las hojas de sierra.

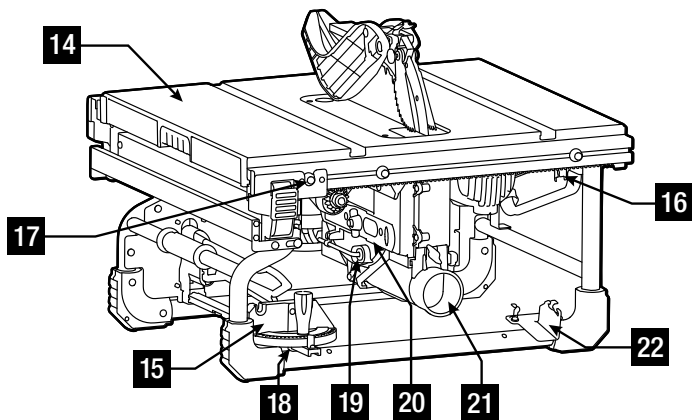
### 21. ORIFICIO PARA POLVO/CONEXIÓN DE ASPIRACIÓN

Retirable para liberar pedazos de madera grandes atrapados en el interior. Haga siempre una comprobación para asegurarse de que el orificio para polvo esté fijo de manera segura con sujetadores en la mesa de la sierra antes de la utilización. Conecte una manguera de aspiración de 2-1/4 pulgadas al orificio para polvo con el fin de lograr una remoción de aserrín conveniente.

### 22. ÁREA DE ALMACENAMIENTO DEL SISTEMA DE PROTECTOR INTELIGENTE SMART GUARD

Ubicación de almacenamiento para el sistema de protector inteligente Smart Guard cuando no se está utilizando, o cuando se transporta o almacena la sierra de mesa.

FIG. 2



## Familiarización con la sierra de mesa

### ESPECIFICACIÓN

Tensión nominal	120V CA 60 Hz
Corriente nominal de la herramienta	15 A
Diámetro de la hoja	8 1/4 pulg
Tamaño del eje portaherramienta	5/8 de pulgada (15,88 mm)
Velocidad sin carga	5300 /min
Capacidad de bisel	Bisel de -1° a 46,5°, con topes a 0° y 45°
Profundidad de corte (pulgadas) a 90°	2-5/8 pulgadas (68 mm mínimo)
Profundidad de corte (pulgadas) a 45°	1-7/8 pulgadas (48 mm)
Capacidad de corte al hilo en el lado derecho de la hoja	25 pulgadas
Capacidad de corte al hilo en el lado izquierdo de la hoja	12 pulgadas
Longitud del cable de alimentación	6 pies (1,8 m)

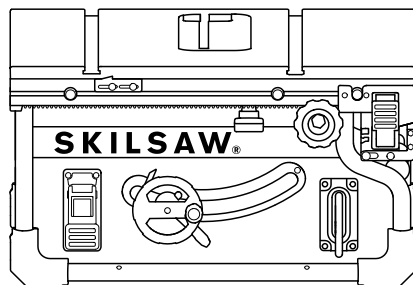
### Desempaquetado y comprobación del contenido

**⚠ ADVERTENCIA** Para evitar lesiones debidas a un arranque inesperado o a descargas eléctricas durante el desempaquetado y el montaje, no enchufe el cable de alimentación en una fuente de alimentación. Este cable debe permanecer desenchufado siempre que esté ensamblando la sierra de mesa o haciendo ajustes a la misma.

Separe todas las piezas sueltas de los materiales de empaquetamiento y compruebe cada una de ellas utilizando la ilustración y la lista de piezas sueltas, para asegurarse de que no falte ningún artículo antes de desechar cualquier material de empaquetamiento (Fig. 3).

**⚠ ADVERTENCIA** Si falta alguna pieza, no intente ensamblar la sierra de mesa, enchufar el cable de alimentación ni poner el interruptor en la posición de encendido hasta que las piezas que falten hayan sido obtenidas e instaladas correctamente.

TABLA DE PIEZAS SUeltas		
ARTÍCULO	DESCRIPCIÓN	CANT.
1	Sierra de mesa	1
2	Inserto de la mesa	1
3	Ensamblaje del protector de barrera	1
4	Dispositivo antirretroceso	1
5	Calibre de ingletes	1
6	Palo de empuje	1
7	Manual	1



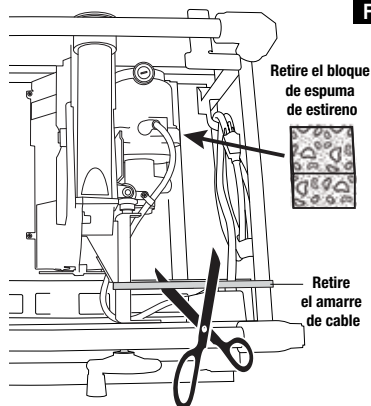
## Desempaquetado y comprobación del contenido

### RETIRE EL AMARRE DE CABLE Y EL BLOQUE DE ESPUMA DE ESTIRENO

(utilizados sólo para fines de envío)

Con la superficie de la mesa en el piso, localice el amarre de cable que ancla el ensamblaje del motor/hoja a la base. Utilizando unas tijeras o unos cortadores de alambre, corte y retire el amarre de cable (Fig. 4).

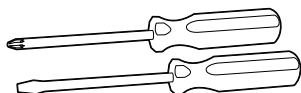
Libere el mango de fijación de la inclinación de la hoja, incline la hoja hasta 45 grados y luego retire el bloque de espuma de estireno ubicado entre la carcasa del motor y la mesa.



## Herramientas necesarias para el ensamblaje y ajuste

**ADVERTENCIA** Desconecte el enchufe de la fuente de alimentación antes de realizar cualquier ensamblaje, ajuste o reparación, para evitar posibles lesiones.

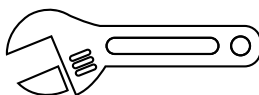
Destornillador Phillips  
y de cabeza plana



Llave de tuerca para la hoja  
(suministrada)



Llave de tuerca ajustable o  
llave de tuerca de 1/2 pulgada  
y llave de tuerca de 11/16 de  
pulgada



Llave en "L" hexagonal de 5  
mm (suministrada)



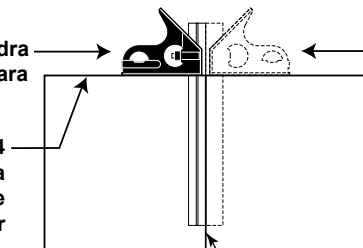
Escuadra de combinación



### LA ESCUADRA DE COMBINACIÓN DEBE ESTAR ALINEADA

1. Posicione la escuadra  
y trace una línea clara

Tabla de 3/4  
de pulgada  
con borde  
recto superior



trace una línea

no debería haber holgura ni superposición

2. Voltee la escuadra  
(mostrada en la posición  
de la línea de puntos)

3. Compruebe el borde  
de la escuadra volteada  
contra la línea trazada.  
No debería haber holgura  
ni superposición en  
el extremo inferior.



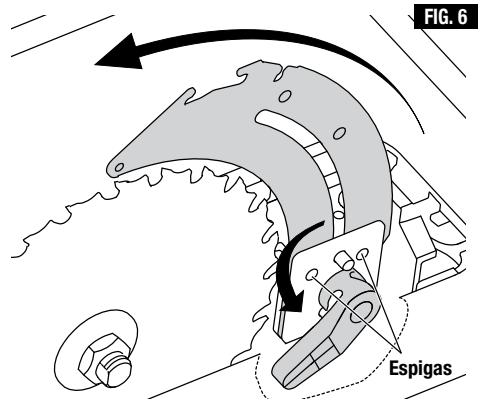
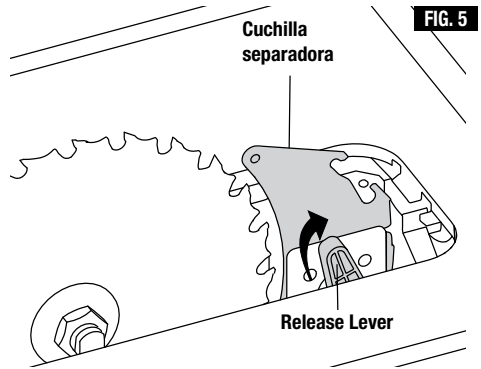
## Ensamblaje

### INSTALACIÓN DEL SISTEMA DE PROTECTOR INTELIGENTE SMART GUARD

**ADVERTENCIA** Para evitar lesiones corporales, desconecte siempre el enchufe de la fuente de alimentación antes de instalar o retirar el sistema de protector inteligente Smart Guard.

#### POSICIONAMIENTO DE LA CUCHILLA SEPARADORA

1. Retire el inserto de la mesa utilizando el agujero para los dedos.
2. Suba la hoja tanto como sea posible y ajústela perpendicular a la mesa ( $0^\circ$  en la escala de bisel) (Fig. 5).
3. Rote la palanca de liberación de la cuchilla separadora en el sentido de las agujas del reloj para que señale hacia arriba (Fig. 5).
4. Jale la cuchilla separadora hacia la palanca de liberación para desacoplarla de las espigas.
5. Deslice la cuchilla separadora hacia arriba hasta su posición más alta, de manera que esté directamente sobre el centro de la hoja (Fig. 6).
6. Alinee los agujeros de la cuchilla separadora con las espigas y bloquee la palanca de liberación girándola en sentido contrario al de las agujas del reloj. Empuje y jale la cuchilla separadora para verificar que está fija en la posición correcta (Fig. 6).
7. Reinstale el inserto de la mesa.



# Ensamblaje

## INSTALACIÓN DEL ENSAMBLAJE DEL PROTECTOR

1. Con una mano, agarre la parte delantera del ensamblaje del protector de barrera por la "horquilla" metálica. Con la otra mano, sujete hacia arriba la palanca de liberación del protector (Fig. 8).
2. Baje la parte trasera del ensamblaje del protector y deslice la barra transversal hacia el interior de la muesca trasera ubicada en la parte de arriba de la cuchilla separadora (Fig. 7).
3. Baje la parte delantera del ensamblaje del protector hasta que la "horquilla" metálica esté paralela a la mesa (Fig. 8).
4. Presione hacia abajo sobre la palanca de liberación del protector hasta que note y oiga que se acopla a presión en la posición de fijación. Asegúrese de que el ensamblaje del protector esté conectado de manera segura (Fig. 8).

FIG. 7

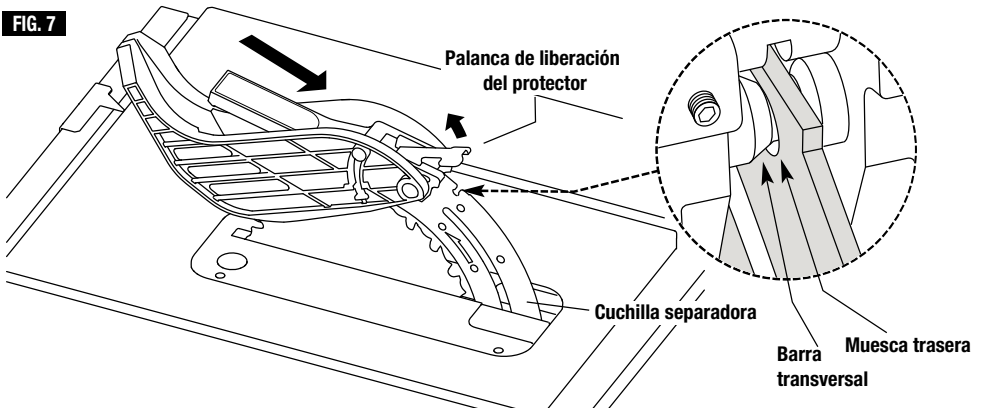
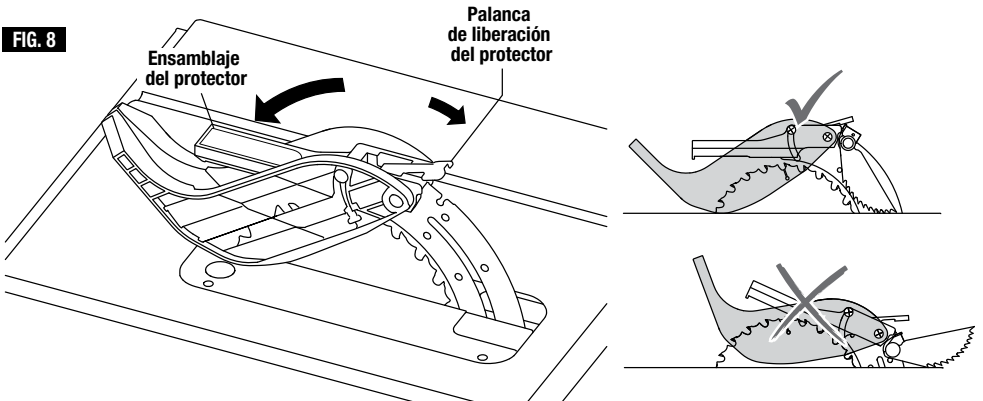


FIG. 8



# Ensamblaje

## INSTALACIÓN DE LOS TRINQUETES ANTIRRETROCESO

**⚠ ADVERTENCIA** Instale siempre los trinquetes antirretroceso sobre la cuchilla separadora con protector cuando realice operaciones de "corte pasante". Reemplace los trinquetes antirretroceso desafilados o dañados. Es posible que los trinquetes desafilados o dañados no detengan un retroceso, con lo cual se aumenta el riesgo de lesiones corporales graves.

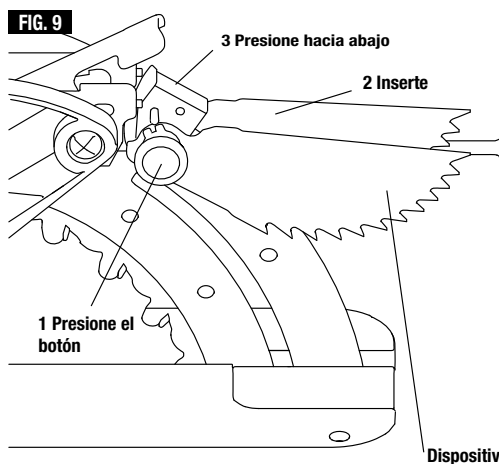
Los trinquetes antirretroceso se deberán instalar solamente para realizar cortes pasantes.

1. Apague la sierra de mesa y desconecte el cable de alimentación.
2. Suba la hoja girando la rueda de ajuste de la altura en el sentido de las agujas del reloj.
3. Instale la cuchilla separadora con protector.
4. Presione el botón de liberación del trinquete e inserte la ranura ubicada en la junta del trinquete en la muesca de la cuchilla separadora. Presione hacia abajo sobre la junta (Fig. 9).

**NOTA:** Es posible que sea más fácil instalar los trinquetes desde la parte delantera de la sierra.

5. Jale suavemente la junta de trinquete para asegurarse de que quede fija en la posición correcta. Asegúrese de que los trinquetes se muevan libremente y no se acoplen en la ranura de la placa de garganta.

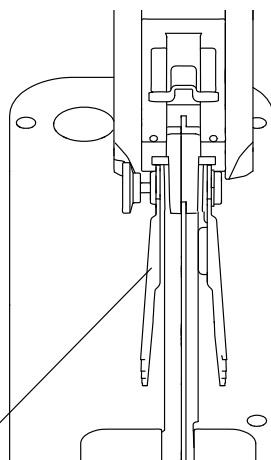
**NOTA:** Los dos aditamentos son independientes uno de otro, por lo que el dispositivo antirretroceso se puede instalar antes que el ensamblaje del protector.



## VERIFICACIÓN DE LAS BARRERAS

Verifique que las barreras del protector estén funcionando correctamente a través de la gama completa de movimiento: bisel y altura de la hoja:

1. Con el sistema de protector inteligente Smart Guard ensamblado, ajuste la hoja a la altura máxima.
2. Suba ambas barreras (izquierda y derecha) hasta que ambas queden bloqueadas en sus posiciones elevadas.
3. Aplique fuerza hacia abajo para liberar las barreras de su posición bloqueada: ambas barreras deberían estar en contacto con la mesa.
4. Bisele la herramienta de 0° a 45° y luego de vuelta a 0°. Las barreras deberían permanecer en contacto con el tablero de la mesa y no deberán entrar en contacto con la hoja a través del movimiento completo.
5. Baje la hoja hasta la altura de corte más baja: ambas barreras deberían estar en contacto con la mesa.
6. Repita el Paso 4 con la hoja en la posición de altura de corte más baja.
7. Si las barreras no permanecen en contacto con el tablero de la mesa o si entran en contacto con la hoja en cualquier momento, no utilice la sierra. Consulte la sección de ensamblaje para asegurarse de que el protector de la hoja esté ensamblado correctamente o haga que la sierra reciba servicio de ajustes y reparaciones por un centro de servicio autorizado.



## Ensamblaje

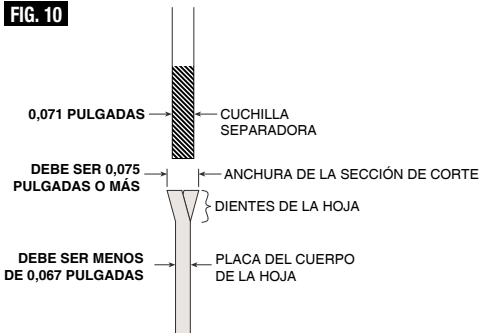
### REMOCIÓN E INSTALACIÓN DE LA HOJA

**ADVERTENCIA** Desconecte el enchufe de la fuente de alimentación antes de realizar cualquier ensamblaje, ajuste o reparación, para evitar posibles lesiones.

### UTILIZACIÓN DE LA HOJA CORRECTA

**IMPORTANT:** La hoja de sierra suministrada en esta herramienta tiene un diámetro de 8-1/4 pulgadas, una anchura de sección de corte de las puntas de carburo de 0,079 pulgadas (para la versión de hoja SKILSAW)/0,094 pulgadas (para la versión de hoja Diablo) y un grosor de la placa (cuerpo) de 0,055 pulgadas (para la versión de hoja SKILSAW)/0,063 pulgadas (para la versión de hoja Diablo). Cuando busque una hoja de repuesto, seleccione una con dimensiones cercanas a las de la hoja original. Es posible que esta información no esté impresa en el embalaje de la hoja. Si no lo está, consulte el catálogo o el sitio web del fabricante. SKILSAW ofrece hojas de sierra profesionales de calidad premium que cumplen con los requisitos de esta herramienta. Usted debe seleccionar una hoja con una anchura de sección de corte de 0,075 pulgadas o más y un grosor de placa (cuerpo) de 0,067 pulgadas o menos (Fig. 10).

FIG. 10



**ADVERTENCIA** Para reducir el riesgo de lesiones, no utilice hojas de sierra con sección de corte extradelgada. La sección de corte de la hoja debe ser más ancha que 0,075 pulgadas. Es posible que las hojas de sierra con sección de corte extradelgada (menos de 0,075 pulgadas) hagan que la pieza de trabajo se atore contra la cuchilla separadora / separador durante la realización del corte. Se recomienda que la sección de corte de la hoja de repuesto utilizada en esta sierra sea de 0,075 pulgadas o más.

**ADVERTENCIA** Para reducir el riesgo de lesiones, no use hojas de sierra hechas con una placa de cuerpo gruesa. Si el grosor de la placa de la hoja de sierra de repuesto es mayor de 0,067 pulgadas, la cuchilla separadora / separador no serviría adecuadamente como auxiliar para reducir el retroceso. El grosor de la placa de la hoja de repuesto debe ser menos de 0,067 pulgadas.

**ADVERTENCIA** Para reducir el riesgo de lesiones, no use “amortiguadores”, “estabilizadores” ni “colarines rigidizadores” de la hoja a ambos lados de una hoja de repuesto. Estos dispositivos son placas metálicas que se posicionan contra los lados de la hoja para reducir la desviación que puede ocurrir cuando se utilizan hojas de sierra delgadas. La utilización de estos dispositivos a ambos lados evitará que la hoja se alinee apropiadamente con la cuchilla separadora / separador, lo cual puede atorar la pieza de trabajo durante la realización del corte. Se puede colocar una placa “estabilizadora” solamente contra el lado exterior de una hoja de repuesto delgada. Estas placas no se requieren con la hoja suministrada.

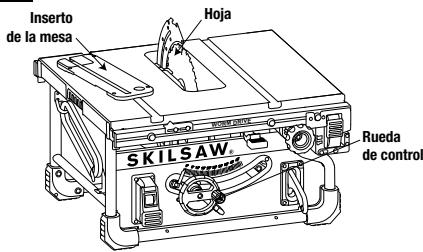
## Ensamblaje

### CAMBIO DE LA HOJA

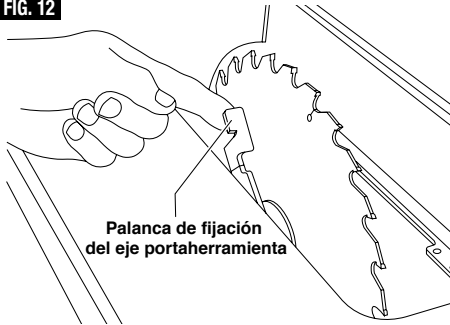
**NOTA:** Limpie la hoja para eliminar todo exceso de aceite antes de realizar la instalación.

1. Retire el inserto de la mesa (Fig. 11).
2. Suba la hoja hasta la altura máxima girando la rueda de control en el sentido de las agujas del reloj (Fig. 11).
3. Suba la palanca de fijación del eje portaherramienta y rote lentamente la hoja a mano hasta que el cierre acople por completo el eje portaherramienta de la sierra y detenga la rotación (Fig. 12).

**FIG. 11**



**FIG. 12**



4. Mientras acopla la palanca de fijación del eje portaherramienta, afloje la tuerca del eje portaherramienta girándola en sentido contrario al de las agujas del reloj (hacia la parte delantera de la mesa de la sierra) con la llave de tuerca suministrada (Fig. 13).
5. Retire la tuerca y la arandela exterior del eje portaherramienta.
6. Elimine todo el aserrín de ambas arandelas de la hoja antes de instalar la hoja. Instale una hoja de 8-1/4 pulgadas (210 mm) en el eje portaherramienta con los dientes de la hoja orientados hacia la parte delantera de la sierra.

**NOTA:** Los elementos impresos en diferentes hojas de sierra no siempre están en el mismo lado.

Para evitar lesiones, no utilice una hoja de diámetro superior o inferior a 8-1/4 pulgadas y que sea para un eje portaherramienta de más o menos de 5/8 de pulgada.

7. Instale la pestaña contra la hoja y enrosque la tuerca del eje portaherramienta tanto como sea posible con la mano. Asegúrese de que la hoja esté al ras contra la pestaña interior de la hoja (Fig. 14).
  8. Mientras sube la palanca de fijación del eje portaherramienta, apriete firmemente la tuerca del eje portaherramienta girándola en el sentido de las agujas del reloj (hacia la parte trasera de la mesa de la sierra) con la llave de tuerca (Fig. 13).
  9. Posicione el inserto de la mesa en el bolsillo de la mesa, de manera que las lengüetas ubicadas en dicho inserto estén en las ranuras situadas en el bolsillo de la mesa, empuje hacia abajo el inserto de la mesa y asegúrelo firmemente en la posición correcta.
- Para evitar lesiones por causa de una pieza de trabajo o un parte de la hoja que salga despedida, o por causa de contacto con la hoja, no utilice nunca la sierra sin tener instalado el inserto apropiado en la posición correcta. Utilice el inserto de la mesa cuando aserre. Utilice el inserto de mortajar cuando emplee una hoja de mortajar.

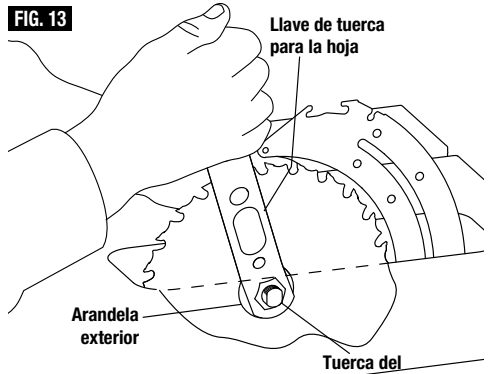
# Ensamblaje

## UTILIZACIÓN DE HOJAS CON PUNTAS DE CARBURO

Maneje con cuidado las hojas con puntas de carburo. El carburo es muy frágil y se puede dañar fácilmente. Tenga precaución cuando instale, utilice o almacene las hojas. No utilice una hoja con puntas de carburo que esté doblada o tenga dientes doblados, o si la hoja tiene grietas, está rota, le faltan puntas de carburo o tiene puntas de carburo flojas. No utilice una hoja con puntas de carburo a una velocidad mayor que la recomendada para dicha hoja. Cuando seleccione una hoja, asegúrese de que tenga una capacidad nominal superior a 5300 rpm.

Lea, entienda y siga todas las advertencias e instrucciones suministradas con las hojas con puntas de carburo.

FIG. 13



## INSTALACIÓN DEL TOPE-GUÍA PARA CORTAR AL HILO PARA SU UTILIZACIÓN

1. Asegúrese de que las palancas de fijación del tope-guía para cortar al hilo ubicadas a ambos lados del tope-guía estén en la posición liberada.
2. Alinee la muesca ubicada en el soporte del tope-guía para cortar al hilo con las cabezas de perno ubicadas en los rieles delantero y trasero. Asegúrese de que el tope-guía volteable esté en el lado de la hoja del tope-guía principal cuando esté en su posición de utilización. Vea la Fig. 15.
3. Baje el tope-guía sobre los rieles y asegure firmemente las palancas de fijación ubicadas a ambos lados del tope-guía.
4. Asegúrese de que la paleta de fijación de los rieles esté en la posición bloqueada antes de utilizar la sierra.

FIG. 14

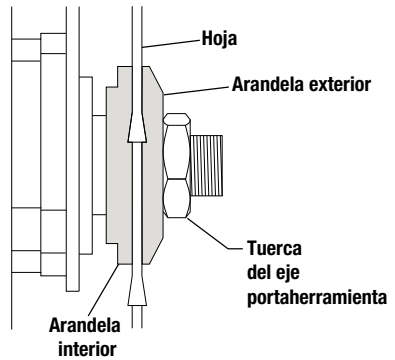
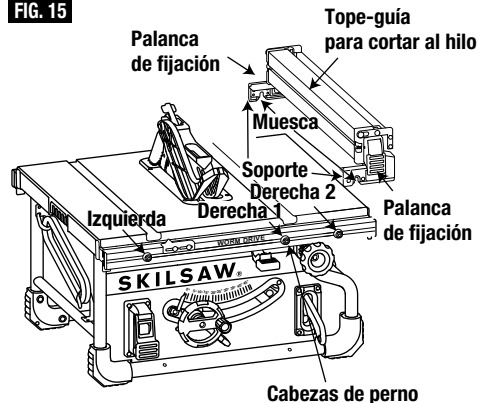


FIG. 15



## Almacenamiento, transporte y montaje

### ALMACENAMIENTO DEL SISTEMA DE PROTECTOR INTELIGENTE SMART GUARD

Cuando no se estén utilizando, el protector de barrera principal y el dispositivo antirretroceso se pueden almacenar debajo de la mesa.

Se recomienda enfáticamente usar todos los componentes del sistema de protector inteligente Smart Guard, incluyendo el protector de barrera principal, el dispositivo antirretroceso y la cuchilla separadora, para proporcionar protección contra accidentes y lesiones.

1. Fije el ensamblaje del protector de barrera principal en la posición correcta de la misma manera en que lo acoplaría a la cuchilla separadora (Fig. 16).
2. Acople el dispositivo antirretroceso al soporte de suspensión de la misma manera en que se acopla a la cuchilla separadora (Fig. 16).

### ALMACENAMIENTO DEL TOPE-GUÍA PARA CORTAR AL HILO

Cuando no se esté utilizando, el tope-guía para cortar al hilo se puede almacenar debajo del extremo derecho de la mesa sobre los rieles.

1. Retire el tope-guía de su posición de uso sobre los rieles.
2. Desbloquee los rieles y extiéndalos aproximadamente 2 pulgadas hacia la derecha de la mesa (Fig. 17).
3. Cuelgue el tope-guía en posición invertida debajo de los rieles, utilizando las ubicaciones para pernos del lado derecho como indicadores de posición. Asegúrese de que el tope-guía volteado esté en su posición de almacenamiento.
4. Trabe las palancas de fijación delantera y trasera.
5. Deslice suavemente los rieles hacia atrás, hacia el centro, hasta que el tope-guía esté cerca del armazón de la sierra de mesa, y luego acople la palanca de fijación de los rieles.

### ALMACENAMIENTO DEL CALIBRE DE INGLETES

Cuando no se esté utilizando, el calibre de ingletes se puede almacenar debajo del lado trasero derecho de la mesa.

1. Inserte el extremo delantero de la guía de ingletes en la ranura ubicada en la parte inferior del soporte para el palo de empuje (Fig. 19).

2. Acople a presión el extremo de la base de la guía de ingletes en el clip ubicado en la parte trasera de la sierra.

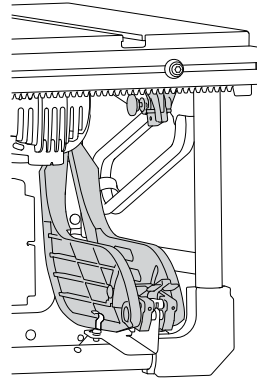


FIG. 16

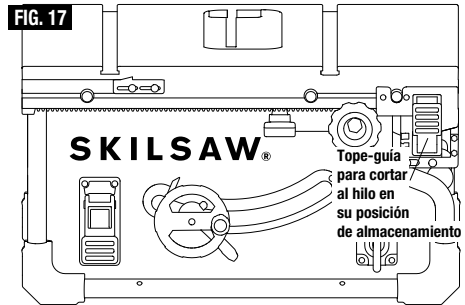
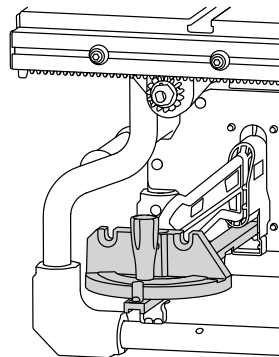


FIG. 18

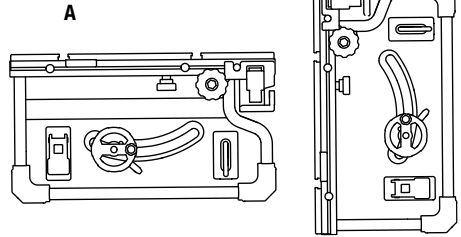


# Almacenamiento, transporte y montaje

## ALMACENAMIENTO DE LA SIERRA DE MESA

Almacene la herramienta solo en la orientación (A) o (B) de la manera que se muestra en la figura 19. Si se almacena la herramienta en otra orientación, es posible que el resultado sea daños a la misma.

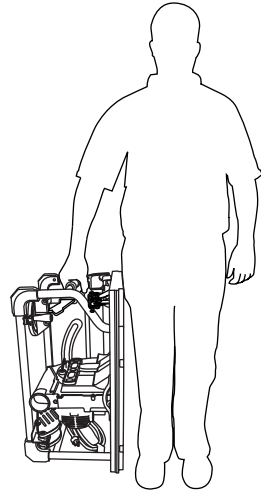
FIG. 19



## TRANSPORTE DE LA SIERRA DE MESA

1. Desenchufe y enrolle el cable eléctrico.
2. Almacene todos los componentes y baje la hoja de sierra.
3. Levante y transporte la sierra de mesa agarrando firmemente el asa de transporte. Transporte la sierra de mesa con el tablero de la mesa orientado hacia su cuerpo (Fig. 20)

FIG. 20



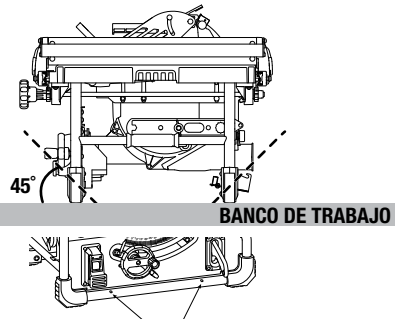
## MONTAJE DE LA SIERRA DE MESA

Si la sierra de mesa portátil se va a utilizar en un sitio de construcción durante un período de tiempo prolongado, se deberá montar de manera segura en una superficie de soporte firme, tal como una base de soporte o un banco de trabajo, utilizando los cuatro agujeros de montaje (Fig. 21).

Los cuatro agujeros de montaje a través de la base están a un ángulo de 45 grados respecto a la horizontal para montar y desmontar rápidamente la sierra de mesa.

1. Si el montaje se realiza en un banco de trabajo, la base se deberá montar firmemente utilizando tornillos para madera de 1/4 de pulgada o tirafondos de 1/4 de pulgada (no incluidos) a través de los agujeros de montaje.

FIG. 21



**NOTA:** Asegúrese de que los tornillos para madera o los tirafondos sean lo suficientemente largos como para sujetar firmemente la sierra de mesa al banco de trabajo.

**ADVERTENCIA** Tenga cuidado para evitar lesiones si los tornillos para madera o los tirafondos penetran en el banco de trabajo.

2. Taladre agujeros piloto de 1/8 de pulgada de diámetro a través del banco de trabajo, utilizando uno de los agujeros de montaje ubicados en la base de la sierra de mesa para guiar durante el taladrado.
3. Apriete el sujetador para asegurar la sierra de mesa al banco de trabajo a través del agujero piloto taladrado.

**Agujeros de montaje**  
(A un ángulo de 45 grados respecto a la horizontal)

4. Repita los pasos 2 y 3 para el resto de los agujeros de montaje.



# Ajustes

## AJUSTE DE LOS TOPES POSITIVOS A 0 Y 45 GRADOS

La sierra está equipada con topes positivos para posicionar de manera rápida y precisa la hoja de sierra a 90 y 45 grados respecto a la mesa.

**ADVERTENCIA** Para evitar lesiones corporales, desconecte siempre el enchufe de la fuente de alimentación al realizar ajustes.

1. Gire la rueda de elevación en el sentido de las agujas del reloj y suba la hoja hasta la altura máxima (Fig. 22).

### AJUSTE DEL TOPE POSITIVO A 0 GRADOS

2. Afloje el mango de fijación de la inclinación de la hoja, empuje la rueda de elevación hacia la izquierda tanto como sea posible y apriete el mango de fijación de la inclinación de la hoja (Fig. 22).
3. Coloque una escuadra de combinación sobre la mesa con un extremo de la escuadra contra la hoja, de la manera que se muestra en la ilustración (Fig. 23), y compruebe si la hoja está a 90 grados respecto a la mesa. Si la hoja no está a 90 grados respecto a la mesa, afloje el mango de fijación de la inclinación de la hoja, afloje el tornillo de ajuste a 90 grados, afloje la leva del tope de bisel a 90 grados y empuje la rueda de elevación hasta que la hoja esté a 90 grados respecto a la mesa.
4. Apriete el mango de fijación de la inclinación de la hoja, rote la leva del tope de bisel hasta que toque la carcasa del tope de bisel y luego apriete el tornillo de ajuste a 90 grados.
5. Afloje el tornillo de ajuste y ajuste el indicador para que señale 0 grados en la escala de bisel.

### AJUSTE DEL TOPE POSITIVO A 45 GRADOS

6. Afloje el mango de fijación de la inclinación de la hoja, empuje la rueda de elevación hacia la derecha tanto como sea posible y apriete el mango de fijación de la inclinación de la hoja.
7. Coloque una escuadra de combinación sobre la mesa con un extremo de la escuadra contra la hoja, de la manera que se muestra en la ilustración (Fig. 24), y compruebe si la hoja está a 45 grados respecto a la mesa. Si la hoja no está a 45 grados respecto a la mesa, afloje el mango de fijación de la inclinación de la hoja, afloje el tornillo de ajuste a 45 grados, afloje la leva del tope de bisel a 45 grados y

empuje la rueda de elevación hasta que la hoja esté a 45 grados respecto a la mesa.

8. Apriete el mango de fijación de la inclinación de la hoja, rote la leva del tope de bisel de 45 grados hasta que toque la carcasa del tope de bisel y luego apriete el tornillo de ajuste de a 45 grados.

**NOTA:** La SPT99 es capaz de realizar un bisel de hasta 47 grados a la izquierda y -1 grado a la derecha. Para alcanzar estos puntos, siga el procedimiento que antecede y reajuste los topes según sea necesario.

FIG. 22

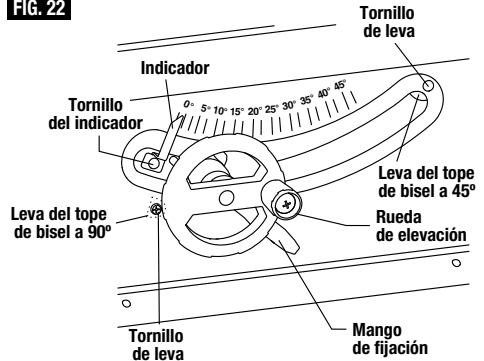


FIG. 23

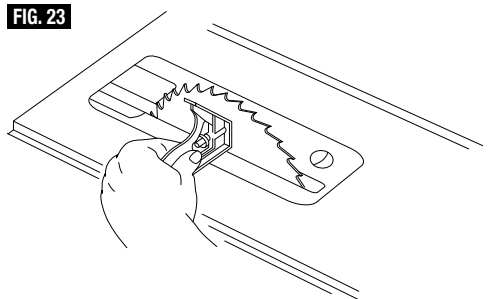
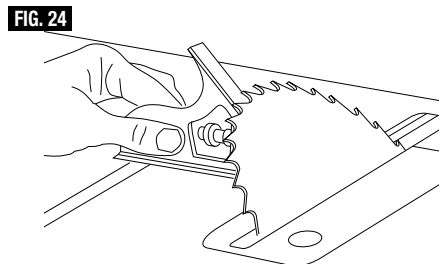


FIG. 24



## Ajustes

### AJUSTE DE LA HOJA PARALELA A LAS RANURAS DEL CALIBRE DE INGLETES

La hoja se ajustó en fábrica paralela a las ranuras del calibre de ingletes. Para asegurarse de que se realizan cortes precisos y para ayudar a prevenir el retroceso, este ajuste se debe comprobar de nuevo. Si se necesita realizar un ajuste, siga los pasos que se indican a continuación.

**ADVERTENCIA** Para prevenir lesiones corporales, desconecte siempre el enchufe de la fuente de alimentación antes de realizar cualquier ajuste.

1. Gire la rueda de elevación y suba la hoja tan alto como sea posible.
2. Seleccione un punto del cuerpo de la hoja de sierra que esté ubicado a la izquierda según se mira a la hoja desde la parte delantera de la sierra y marque ese punto con un lápiz (Fig. 26).
3. Coloque la base de una escuadra de combinación contra el borde de la ranura del calibre de ingletes y extienda la regla corrediza de la escuadra de manera que apenas toque el punto marcado en el cuerpo de la hoja de sierra en la parte trasera de la mesa.
4. Rote la hoja y compruebe el mismo punto marcado de la hoja de sierra en la parte delantera de la mesa (Fig. 25).
5. Si las medidas delanteras y traseras, mostradas en la Figura 25, no son idénticas, identifique el lado con la holgura. Utilice la llave hexagonal suministrada con su sierra para aflojar los dos pernos de alineación ubicados en el lado con la holgura. Hay cuatro pernos de alineación ubicados debajo de la parte delantera y la parte trasera del tablero de la mesa de la herramienta (Fig. 26 y 27). Mueva cuidadosamente el carro inferior que contiene la hoja de sierra hasta que dicha hoja esté paralela a la ranura de inglete y apriete firmemente los dos pernos. Si el paralelismo sigue siendo incorrecto, afloje los cuatro pernos y repita el procedimiento.

FIG. 25

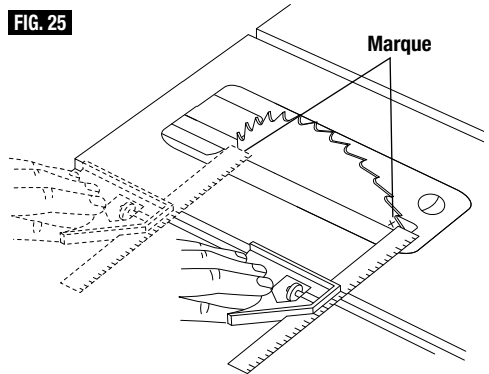
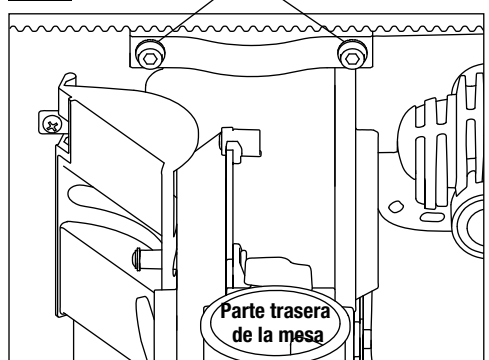


FIG. 26



Pernos de alineación  
Pernos de alineación

FIG. 27



# Ajustes

## ALINEACIÓN DEL TOPE-GUÍA PARA CORTAR AL HILO

**ADVERTENCIA** Para prevenir lesiones corporales, desconecte siempre el enchufe de la fuente de alimentación antes de realizar cualquier ajuste.

El tope-guía se alinea adecuadamente a la hoja en las tres posiciones en la fábrica y no debería requerir ningún ajuste. Esta sección es sólo para fines de mantenimiento o cuando el tope-guía se desalinee debido a un impacto. El tope-guía para cortar al hilo debe estar paralelo a la hoja de sierra para evitar el RETROCESO al cortar al hilo.

La sierra de mesa está equipada con un tope-guía para cortar al hilo de piñón y cremallera que cuenta con múltiples posiciones. Una vez que se hayan realizado los ajustes que se describen a continuación, el tope-guía para cortar al hilo se autoalineará cuando el tope-guía se encuentre fijo en una de las tres posiciones. Es necesario que las tres posiciones del tope-guía para cortar al hilo estén alineadas paralelas a la hoja. Cuando mueva el tope-guía para cortar al hilo, asegúrese de desbloquearlo y bloquearlo con el mango de fijación de los rieles y utilizar el pomo del riel delantero para ajustar la posición del tope-guía.

**NOTA:** La hoja debe estar paralela a las ranuras del calibre de ingletes (consulte "Ajuste de la hoja paralela a las ranuras del calibre de ingletes") y perpendicular a la mesa antes de proceder a realizar la alineación del tope-guía para cortar al hilo.

**ADVERTENCIA** Para prevenir lesiones corporales, asegúrese siempre de que el tope-guía para cortar al hilo esté fijo antes de hacer cortes al hilo.

1. Levante ambas barreras del protector hasta su posición bloqueada hacia arriba (Fig. 28).
2. Gire la rueda de elevación y suba la hoja tanto como sea posible.
3. Alinee la hoja con las ranuras del calibre de ingletes de acuerdo con las instrucciones: AJUSTE DE LA HOJA PARALELA A LAS RANURAS DEL CALIBRE DE INGLETES.
4. **Lado derecho, posición 1 (cerca de la hoja, vea la Fig. 30).**

**NOTA:** La posición 1 del lado derecho para el tope-guía permite realizar cortes de 0 a 20,5 pulgadas en el lado derecho de la hoja. La escala superior muestra esta dimensión. En esta ubicación, el tope-guía volteable debería estar a la izquierda del tope-guía principal cuando esté en la posición del tope-guía auxiliar (la más cercana a la hoja).

FIG. 28

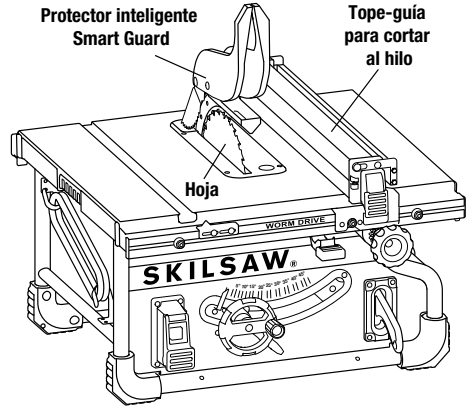
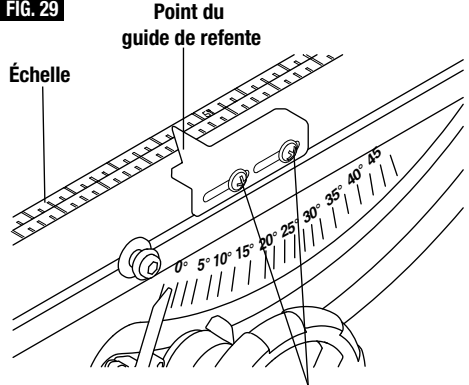
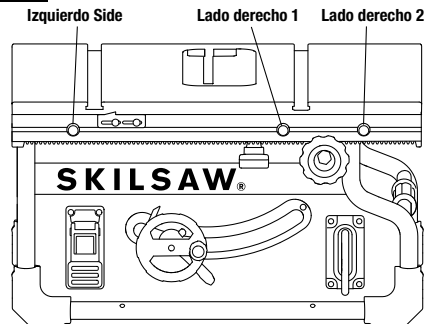


FIG. 29



Vis de réglage de l'indicateur

FIG. 30



- a. Afloje los pernos de la posición 1 del lado derecho ubicados en los rieles delantero y trasero, para que se puedan deslizar libremente, aproximadamente de 1/2 a 1 vuelta. Mueva los pernos hacia la derecha aproximadamente 1/8 de pulgada.

## Ajustes

- b. Coloque el tope-guía sobre los pernos de la posición 1, pero no asegure los pestillos ubicados en el riel delantero o trasero.
- c. Mueva los rieles de manera que el indicador de posición se alinee con el 0 de la escala superior. Fije los rieles en la posición correcta utilizando la paleta de fijación de los rieles. Si se han instalado trinquetes antirretroceso, será necesario subir el lado derecho para alinear el tope-guía con la hoja.
- d. Deslice el tope-guía con los tornillos delanteros y traseros hacia la hoja hasta que el tope-guía toque los dientes de la hoja en las partes delantera y trasera de la misma.
- e. Apriete el perno delantero. Verifique que el tope-guía aún esté en contacto con los dientes delanteros y traseros de la hoja.
- f. Apriete el perno trasero. Verifique que el tope-guía aún esté en contacto con los dientes delanteros y traseros de la hoja.
- g. Cierre las abrazaderas del tope-guía sobre los rieles y asegúrese de que el tope-guía aún esté en contacto con los dientes delanteros y traseros de la hoja.

### 5. Lado derecho, posición 2 (la más alejada de la hoja), vea la Fig. 30.

**NOTA:** La posición 2 del lado derecho para el tope-guía permite realizar cortes de 6 a 30,5 pulgadas en el lado derecho de la hoja. La escala inferior muestra esta dimensión. En esta ubicación, el tope-guía volteable deberá estar a la izquierda del tope-guía principal cuando esté en la posición del soporte para el material (la más cercana a la hoja).

- a. Abra las abrazaderas del tope-guía y retire el tope-guía.
- b. Afloje los pernos de la posición 2 del lado derecho ubicados en los rieles delantero y trasero, para que se puedan deslizar libremente, aproximadamente de 1/2 a 1 vuelta.
- c. Utilizando los agujeros de alineación del tope-guía ubicados en la llave de tuerca para la hoja, coloque dicha llave sobre el perno de la posición 1 del lado derecho en el riel delantero (que ya se fijó en la posición correcta en el paso 4 que antecede) con el segundo agujero alineado de manera aproximada con el perno de la posición 2 del lado derecho.
- d. Mueva el perno de la posición 2 del lado derecho hasta que la llave de tuerca para la hoja se deslice sobre la cabeza del perno.
- e. Apriete el perno de la posición 2 del lado derecho.

- f. Realice los pasos c a e para el perno del riel trasero.

### 6. Lado izquierdo, vea la Fig. 30.

**NOTA:** La posición del lado izquierdo para el tope-guía permite realizar cortes de 4 a 25 pulgadas en el lado izquierdo de la hoja. La escala no muestra esta dimensión. En esta ubicación, el tope-guía volteable deberá estar a la derecha del tope-guía principal cuando esté en la posición del soporte para el material o del tope-guía auxiliar (la más cercana a la hoja).

- a. Afloje los pernos del lado izquierdo ubicados en los rieles delantero y trasero para que se puedan deslizar libremente, aproximadamente de 1/2 a 1 vuelta. Mueva los pernos para que estén aproximadamente a 3,5 pulgadas del extremo izquierdo de los rieles.
- b. Coloque el tope-guía sobre los pernos del lado izquierdo, pero no asegure los pestillos ubicados en el riel delantero o trasero.
- c. Mueva los rieles de manera que el tope-guía toque al menos un diente de la hoja. Fije los rieles en la posición correcta utilizando la paleta de fijación de los rieles. Si se han instalado trinquetes antirretroceso, será necesario subir el lado derecho para alinear el tope-guía con la hoja.
- d. Deslice el tope-guía con los tornillos delanteros y traseros hacia la hoja hasta que el tope-guía toque los dientes de la hoja en las partes delantera y trasera de la misma.
- e. Apriete el perno delantero.
- f. Apriete el perno trasero. Verifique que el tope-guía aún esté en contacto con los dientes delanteros y traseros de la hoja.
- g. Cierre firmemente las abrazaderas del tope-guía sobre los rieles y asegúrese de que el tope-guía aún esté en contacto con los dientes delanteros y traseros de la hoja.

### PARA AJUSTAR EL INDICADOR DEL TOPE-GUÍA PARA CORTAR AL HILO:

1. Levante ambas barreras del protector hasta su posición bloqueada.
2. Coloque el tope-guía sobre los pernos ubicados en la posición 1 del lado derecho y fije las abrazaderas del tope-guía ubicadas en las partes delantera y trasera.
3. Suba la paleta de fijación de los rieles y mueva el tope-guía hasta que esté junto a la hoja de sierra, levantando el trinquete del lado derecho por encima del tope-guía. Fije los rieles en la posición correcta.
4. Afloje el tornillo de ajuste del indicador, ajuste el indicador en la marca de "0" en la escala inferior y luego reapriete el tornillo.

# Ajustes

## ALINEACIÓN DE LA CUCHILLA SEPARADORA

**IMPORTANTE:** La cuchilla separadora debe estar siempre en línea con la hoja de sierra. La cuchilla separadora es más delgada que la anchura de la sección de corte, aproximadamente tres grosores de papel a cada lado (Fig. 31).

**Nota:** La sección de corte es la anchura del corte realizado por los dientes de la hoja de sierra.

**⚠ ADVERTENCIA** Para prevenir lesiones corporales, desconecte siempre el enchufe de la fuente de alimentación antes de hacer cualquier ajuste y cuando instale o retire el sistema de protector inteligente Smart Guard.

## COMPROBACIÓN DE LA ALINEACIÓN DE LA CUCHILLA SEPARADORA

**⚠ ADVERTENCIA** Compruebe periódicamente la alineación de la cuchilla separadora con la hoja y haga ajustes según sea necesario. Si la cuchilla separadora está alineada incorrectamente, es posible que el resultado sea inestabilidad de la pieza de trabajo, pérdida de control y RETROCESO. Si la cuchilla separadora está desalineada y no se puede ajustar, no intente utilizar la sierra. Haga que un técnico de servicio calificado realice la alineación de la cuchilla separadora.

1. Compruebe si la hoja está alineada correctamente, paralela a la ranura del calibre de ingletes, de acuerdo con las instrucciones que se indican en "Ajuste de la hoja paralela a las ranuras del calibre de ingletes" y, si es necesario, ajuste la hoja. Asegúrese de que el tope-guía para cortar al hilo esté alineado con la hoja (consulte las instrucciones que se indican en "Alineación del tope-guía para cortar al hilo") y, si es necesario, ajuste el tope-guía para cortar al hilo.
2. Suba la hoja hasta la posición de altura máxima (hacia arriba). Suba la cuchilla separadora hasta su posición completamente hacia arriba (consulte las instrucciones que se indican en "Posicionamiento de la cuchilla separadora"). Retire los trinquetes antirretroceso y el ensamblaje del protector de la cuchilla separadora. Retire la placa de inserción (Fig. 32).

3. Coloque el tope-guía para cortar al hilo en el lado izquierdo de la mesa. Mueva cuidadosamente el tope-guía para cortar al hilo contra la hoja, de manera que dicho tope-guía esté paralelo a la hoja y apenas toque las puntas de los dientes de la hoja de sierra. Fije el tope-guía para cortar al hilo y asegúrese de que la hoja, tanto en la parte delantera como en la parte trasera, aún esté tocando el tope-guía para cortar al hilo (Fig. 32).

FIG. 31

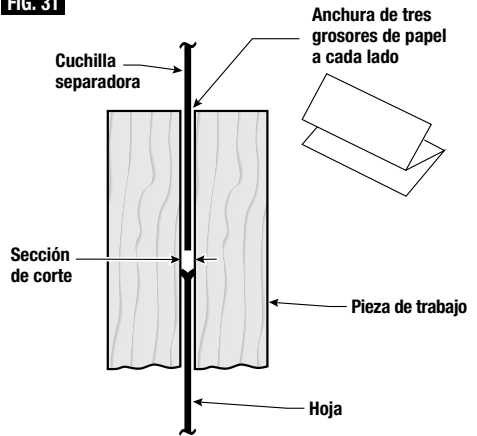
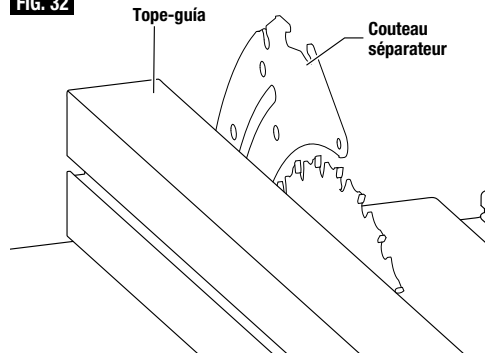


FIG. 32



## Ajustes

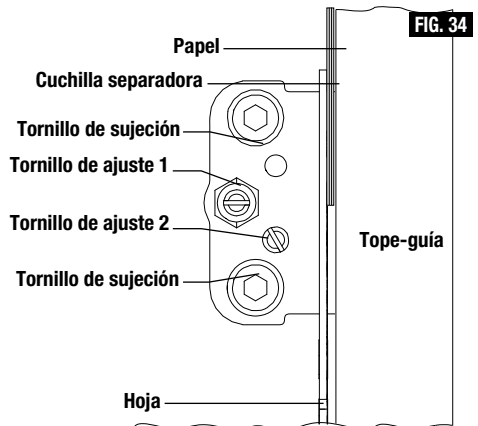
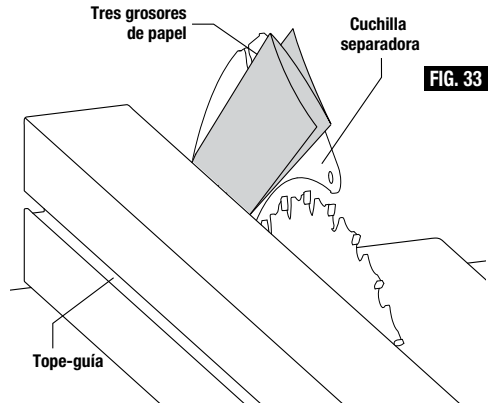
4. Utilizando el tope-guía para cortar al hilo como guía, compruebe la alineación de la cuchilla separadora con el plano de la hoja de sierra. Como la cuchilla separadora es más delgada, aproximadamente tres grosores de papel a cada lado, que la anchura de la SECCIÓN DE CORTE de la hoja (Fig. 32), usted debe hacer un “calibre espaciador” de papel temporal. Haga dos pliegues en un pedazo pequeño (6 x 6 pulgadas) de papel de periódico corriente, para hacer tres grosores. Coloque el calibre espaciador de papel entre la cuchilla separadora y el tope-guía para cortar al hilo (Fig. 33).

5. Repita el paso 4 con el tope-guía para cortar al hilo a la derecha de la hoja y realice una comprobación con el calibre espaciador de papel.
6. Si el calibre espaciador de papel no encaja entre el tope-guía para cortar al hilo y la cuchilla separadora de acuerdo con los pasos 4 y 5 que anteceden, la cuchilla separadora no está alineada correctamente con la hoja y se debe ajustar. Si la cuchilla separadora necesita ajuste, vaya a la sección “Ajuste de la cuchilla separadora”. Si la cuchilla separadora está alineada correctamente con la hoja, entonces no es necesario realizar ningún ajuste.

**NOTA:** La cuchilla separadora ha sido alineada adecuadamente en la fábrica. Compruebe la alineación antes de hacer cualquier ajuste.

### AJUSTE DE LA CUCHILLA SEPARADORA

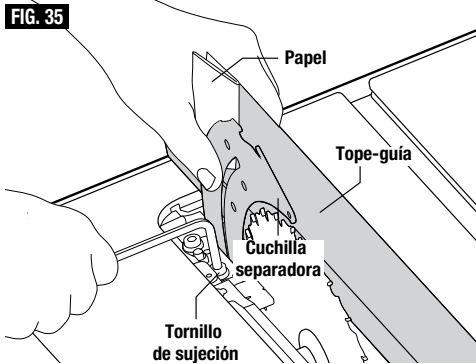
1. Suba la hoja de sierra hasta la altura máxima y ajuste el ángulo de bisel a 0°.
2. Retire el ensamblaje del protector de barra y el dispositivo antirretroceso.
3. Retire el inserto de la mesa.
4. Coloque el tope-guía para cortar al hilo en el lado derecho y la posición 1, mueva el tope-guía hasta que toque las puntas de la hoja de sierra y luego fije los rieles en la posición correcta.
5. Afloje la tuerca hexagonal con una llave de boca abierta de 10 mm. Afloje ligeramente los tornillos de sujeción (de 1/4 de vuelta a 1/2 vuelta) utilizando la llave Allen de 5 mm suministrada. Afloje el tornillo de ajuste usando un destornillador de cabeza plana (Fig. 34).
6. Haga dos pliegues en un pedazo de papel pequeño (6 x 6 pulgadas), para formar tres capas. Este papel plegado se utiliza como “calibre espaciador”.



**NOTA:** Las instrucciones de espaciamiento que anteceden están basadas en la utilización de una hoja con sección de corte estándar. Si se utiliza una hoja con una sección de corte más pequeña, ajuste el espaciador de papel. Por ejemplo, si la sección de corte de la hoja de repuesto se aproxima a 0,100 pulgadas, use 1 grosor de papel como espaciador; si la sección de corte se aproxima a 0,110 pulgadas, use 2 grosores.

# Ajustes

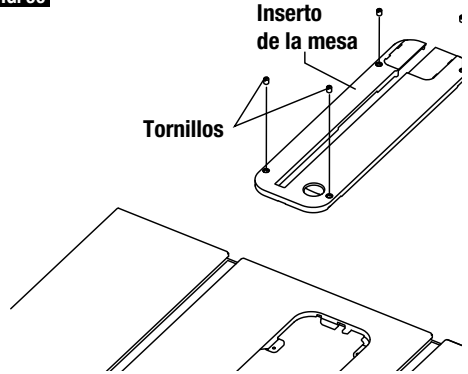
7. Inserte el papel plegado entre la cuchilla separadora y el tope-guía.
  - a. Sostenga la cuchilla separadora y el papel firmemente contra el tope-guía (Fig. 35).
  - b. Apriete ligeramente los tornillos de sujeción.
  - c. Retire el papel y mueva el tope-guía alejándolo de la hoja.
  - d. Gire lentamente el tornillo de ajuste 1 (para realizar el ajuste izquierdo y derecho) y el tornillo de ajuste 2 (para realizar el ajuste delantero y trasero) mientras observa cómo la cuchilla separadora se inclina hasta estar en línea con la hoja.
  - e. Compruebe de nuevo si la cuchilla separadora está en ángulo recto con la mesa, deslizando el tope-guía contra la hoja. Si es necesario, reajuste la cuchilla.
8. Después de completar los ajustes:
  - a. Apriete ligeramente la tuerca hexagonal (mantenga la posición del tornillo de ajuste con un destornillador mientras aprieta la tuerca).
  - b. Apriete completamente los tornillos de sujeción con una llave Allen. Luego, apriete completamente la tuerca hexagonal.



## AJUSTE DEL INSERTO DE LA MESA

La ranura del inserto de la mesa contiene cuatro (4) tornillos de ajuste para ajustar la altura del inserto de la mesa (Fig. 36). Coloque el inserto sobre la mesa. Coloque una regla de borde recto (como por ejemplo la regla metálica de una escuadra de combinación) a través del tablero de la mesa y la parte superior del inserto. Si es necesario realizar algún ajuste, utilice un destornillador de cabeza plana de 4 mm para rotar cada tornillo de ajuste hacia arriba o hacia abajo. El inserto debería estar ligeramente debajo de la mesa en la parte delantera y ligeramente encima de la mesa en la parte trasera.

FIG. 36



**NOTA:** Asegúrese de que la cuchilla separadora se mantenga en línea con la hoja cuando esté inclinada a cualquier ángulo. Reinstale el ensamblaje del protector de barrera y el dispositivo antirretroceso antes de hacer cortes.



# Utilización básica de la sierra de mesa

## INTERRUPTOR DE ALIMENTACIÓN DE SEGURIDAD

**NOTA:** Esta sierra de mesa tiene un dispositivo de seguridad que ayuda a prevenir el arranque accidental. Cuando se corte la alimentación eléctrica a la sierra, la herramienta cambiará al modo de apagado. Una vez que se haya restablecido la alimentación eléctrica, será necesario encender de nuevo la herramienta eléctrica.

**Para encender la sierra:** Presione el botón verde.

**Para apagar la sierra:** Presione la paleta roja (que presiona el interruptor de apagado rojo ubicado debajo de ella) (Fig. 37).

Para prevenir el uso no autorizado: el interruptor puede acomodar un candado con una barra larga de 3/16 de pulgada de diámetro (no incluido) (Fig. 38).

Consulte "Instalación del sistema de protector inteligente Smart Guard" para obtener instrucciones detalladas. Recuerde siempre que la mejor prevención de accidentes es que el operador use el sentido común y esté alerta en todo momento cuando utilice la sierra de mesa.

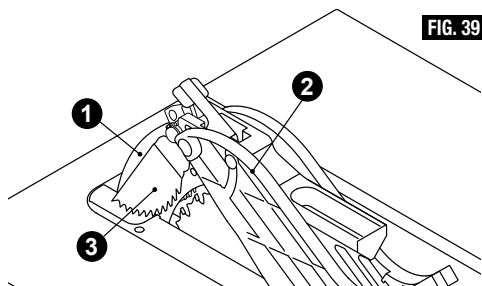


FIG. 39

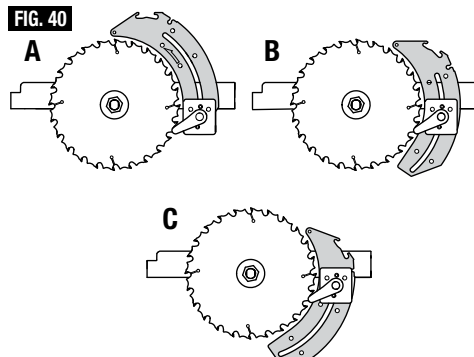


FIG. 40

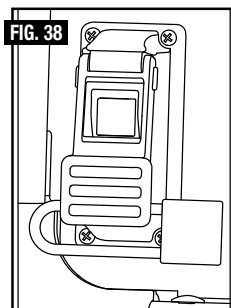
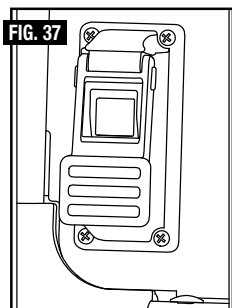


FIG. 37

FIG. 38

## UTILIZACIÓN DEL SISTEMA DE PROTECCIÓN INTELIGENTE SMART GUARD

El sistema de protector inteligente SKILSAW Smart Guard ha sido diseñado para brindar modularidad, lo cual permite usar múltiples combinaciones de los tres componentes principales: 1) Cuchilla separadora / separador, 2) protector de barrera principal y 3) dispositivo antirretroceso (Fig. 39). Además, la cuchilla separadora se puede ajustar fácilmente en tres posiciones, dependiendo del requisito de la aplicación: corte pasante (alta), corte no pasante (intermedia) y mortaja (más baja). Los tres componentes primarios del sistema de protección de la hoja Smart Guard están diseñados para instalarlos, ajustarlos y/o retirarlos rápidamente sin necesidad de herramientas adicionales. Cualquier componente Smart Guard que sea necesario retirar para completar un corte debe ser reinstalado inmediatamente al acabar la operación.

### Cuchilla separadora / separador

La cuchilla separadora (separador) es el elemento central del sistema de protección de la hoja con el protector inteligente SKILSAW Smart Guard, que sirve como punto de sujeción tanto para el protector de barrera principal como para el dispositivo antirretroceso. En el caso de que el protector de barrera principal y el dispositivo antirretroceso se hayan retirado, la cuchilla separadora mantiene su funcionalidad como separadora de material y se puede ajustar rápidamente en tres posiciones (corte pasante A, corte no pasante B y mortaja C), dependiendo del requisito de la aplicación (Fig. 39). El ajuste de la cuchilla separadora tiene una función de "acoplamiento a presión": Cuando el operador libere la cuchilla separadora y la jale hacia fuera para desacoplarla de las espigas, la cuchilla separadora será empujada hacia atrás hasta la base después de



## Utilización básica de la sierra de mesa

que el operador la libere. Así que simplemente deslice la cuchilla separadora y se acoplará en las espigas de sujeción en la siguiente posición automáticamente. Debido a esta ajustabilidad, la cuchilla separadora se puede posicionar adecuadamente para todas las aplicaciones de corte.

La cuchilla separadora (separador) se puede ajustar fácilmente en una de las tres alturas retirando el inserto de la mesa, subiendo la hoja hasta su altura máxima y soltando la palanca de liberación de la cuchilla separadora ubicada en la base de dicha cuchilla. La cuchilla separadora se debe fijar en su posición de corte pasante (más alta) para utilizarla con el protector de barrera principal y el dispositivo antirretroceso. Se puede ajustar hasta su posición de corte no pasante (intermedia) para utilizarse como separadora de material sin el protector de barrera principal y sin el dispositivo antirretroceso. En el caso de que la cuchilla separadora no se pueda utilizar para realizar un corte específico o para utilizarse con una hoja de mortajar, se puede ajustar en su posición de mortajar (más baja).

### Protector de barrera principal

El protector principal está integrado por un par de barreras de plástico que están acopladas al protector de barrera superior de metal. Las barreras laterales (una a la izquierda y otra a la derecha de la hoja) funcionan independientemente una de otra, manteniendo la máxima cobertura de la hoja durante las operaciones de corte. El protector principal incorpora un punto de sujeción de conexión rápida y se puede instalar en el sistema de protección de la hoja o se puede desinstalar del mismo independientemente de los trinquetes an-

tirretroceso y la cuchilla separadora / separador.

El componente que consiste en el protector de barrera principal se puede instalar y desinstalar fácilmente mediante el uso de una palanca de liberación rápida. El protector se instala asentando la barra transversal en la parte superior de la cuchilla separadora / separador y acoplando la palanca de fijación. Siguiendo el proceso en orden inverso, el protector se puede retirar fácilmente para realizar operaciones especiales, tales como mortajas o rebajos.

**NOTA:** Para asegurar al máximo el protector principal con el fin de reubicar la herramienta, ajuste la hoja a su posición más baja. Esto mantiene el protector firmemente ajustado contra la mesa y previene los daños relacionados con la oscilación del protector durante la reubicación. Si se va a transportar una distancia más larga en el trabajo y fuera de él, coloque el protector en su posición de almacenamiento debajo de la mesa (vea la Figura 16).

### Dispositivo antirretroceso

En caso de retroceso, el dispositivo antirretroceso (que se conoce también como retenedores o trinquetes) está diseñado para ayudar a evitar que la tabla sea lanzada en dirección al usuario. Los dientes afilados de los trinquetes están diseñados para "atrapar" el material en caso de retroceso.

El dispositivo antirretroceso se puede instalar fácilmente alineando la espiga de sujeción con el agujero ubicado en la parte de atrás de la cuchilla separadora / separador. Dicho dispositivo se puede retirar fácilmente oprimiendo las almohadillas de compresión ubicadas a ambos lados del dispositivo antirretroceso y levantando el dispositivo.

## CONTROL DEL BISEL DE LA HOJA

Afloje el mango de fijación del bisel de la hoja en sentido contrario al de las agujas del reloj (Fig. 41), deslice la rueda de elevación hasta que el indicador esté en el ángulo deseado y apriete el mango de fijación de la inclinación de la hoja en el sentido de las agujas del reloj.

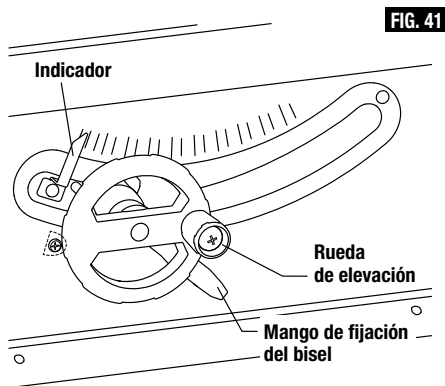


FIG. 41

# Utilización básica de la sierra de mesa

## AYUDANTES DE TRABAJO

Antes de cortar cualquier madera en la sierra, estudie todas las secciones de "Utilización básica de la sierra".

Observe que para hacer algunos de los cortes es necesario utilizar ciertos dispositivos, "ayudantes de trabajo", como el palo de empuje, el bloque de empuje y el tope-guía auxiliar, que se puede hacer usted mismo.

Después de realizar unos cuantos cortes de práctica, haga estos "ayudantes" antes de comenzar cualquier proyecto. Haga primero el "palo de empuje". (Con esta sierra de mesa se incluye un palo de empujar.)

### PALO DE EMPUJE Y BLOQUE DE EMPUJE

Haga el palo de empuje usando un pedazo de madera de 1 x 2, de la manera que se muestra en la ilustración (Fig. 42).

Haga el bloque de empuje utilizando pedazos de madera contrachapada 3/8 de pulgada A y de madera dura de 3/4 de pulgada B (Fig. 43).

El pedazo pequeño de madera de 1/2 x 3/8 x 2-1/2 pulgadas se debe ENCOLAR a la madera contrachapada... NO USE CLAVOS. Esto tiene como fin evitar desafilarse la hoja de sierra en caso de que usted corte por error en el bloque de empuje.

Posicione el mango en el centro de la madera contrachapada y sujete el mango a la madera usando cola y tornillos para madera.

Use un palo de empuje siempre que el tope-guía esté a 2 pulgadas o más de la hoja. Utilice un bloque de empuje cuando la operación sea demasiado estrecha como para permitir el uso de un palo de empuje. Para obtener información sobre cómo utilizar correctamente el palo de empuje, consulte las secciones "Corte al hilo" y "Corte al hilo en bisel".

Se deben usar tanto un palo de empuje como un bloque de empuje en lugar de la mano del usuario para guiar el material solamente entre el tope-guía y la hoja.

Cuando utilice un palo de empuje o un bloque de empuje, el extremo de salida de la tabla debe estar en ángulo recto. Un palo de empuje o un bloque de empuje contra un extremo desigual podría resbalar o empujar la pieza de trabajo alejándola del tope-guía.

## REALIZACIÓN DE UNA TABLA CON CANTO BISELADO

La figura 44 ilustra las dimensiones para hacer una tabla con canto biselado típica. Se debe hacer utilizando un pedazo recto de madera que esté libre de nudos o grietas. La sección de corte E debe tener una separación de aproximadamente 1/4 de pulgada (Fig. 44)

FIG. 42

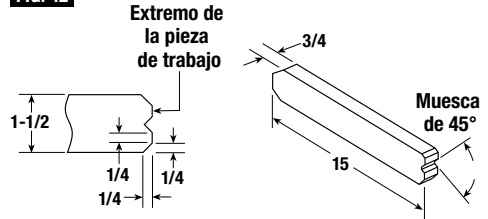


FIG. 43

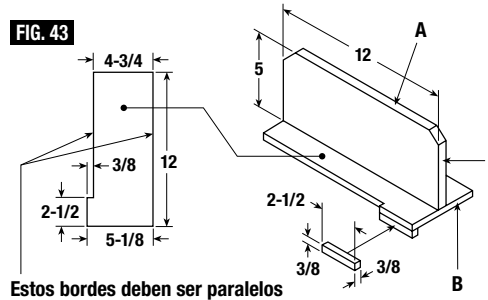
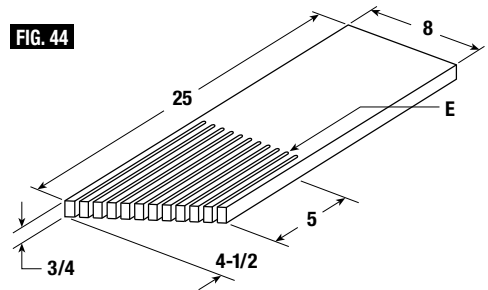


FIG. 44



NOTA: Todas las dimensiones están en pulgadas.

## Utilización básica de la sierra de mesa

### SOPORTE PARA EL MATERIAL / TOPE-GUÍA AUXILIAR

Cuando el tope-guía esté más allá del tablero de la mesa, asegúrese de que el soporte para el material esté firmemente sujeto en la posición más baja en las ranuras tanto delantera como trasera (Fig. 45a). Cuando el tope-guía esté sobre la mesa, asegúrese de que el soporte para el material esté en la posición de almacenamiento. Si se requiere un tope-guía auxiliar, coloque el soporte para el material en la posición superior en las ranuras tanto delantera como trasera (Fig. 45b). Para asegurar el ajuste del tope-guía, baje el mango de fijación.

FIG. 45a

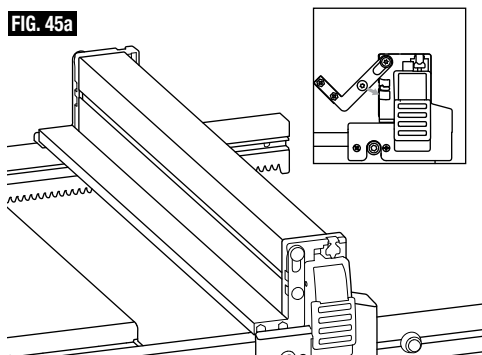
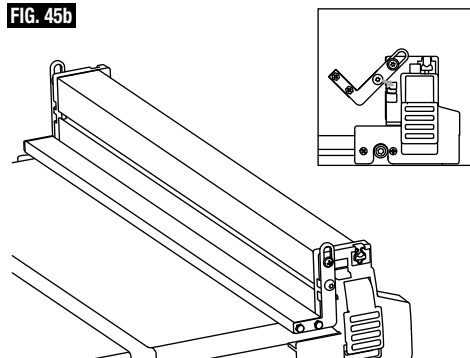


FIG. 45b



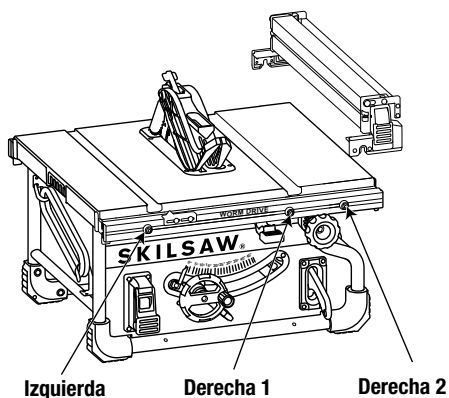
### UTILIZACIÓN DEL INDICADOR DEL TOPE-GUÍA PARA CORTAR AL HILO

El indicador del tope-guía para cortar al hilo muestra la distancia desde la hoja hasta el tope-guía para cortar al hilo.

#### Posición a la derecha 1.

La escala superior indica la posición del tope-guía en relación con el lado derecho de la hoja para la posición interior. En esta posición, el tope-guía se puede utilizar desde 0 hasta 24,5 pulgadas (Fig.46).

FIG. 46



#### Posición a la derecha 2.

La escala inferior indica la posición del tope-guía en relación con el lado derecho de la hoja para la posición exterior. En esta posición, el tope-guía se puede utilizar desde 4,0 hasta 25 pulgadas (Fig. 46).

#### Posición a la izquierda.

La escala no tiene relevancia para esta posición. La capacidad máxima en el lado izquierdo de la hoja es 12 pulgadas (Fig. 46).

## Utilización básica de la sierra de mesa

**⚠ ADVERTENCIA** Use siempre protección de la audición durante las operaciones de corte y guantes cuando maneje las hojas de sierra.

### UTILIZACIÓN DEL TOPE-GUÍA PARA CORTAR AL HILO

EL CORTE AL HILO, EL CORTE AL HILO EN BISEL, EL REASERRADO Y EL CORTE DE REBAJOS se realizan utilizando el TOPE-GUÍA PARA CORTAR AL HILO junto con el TOPE-GUÍA AUXILIAR / SOPORTE PARA LA PIEZA DE TRABAJO, EL PALO DE EMPUJE O EL BLOQUE DE EMPUJE.

**⚠ ADVERTENCIA** Para su propia seguridad, siga siempre las siguientes precauciones de seguridad además de las instrucciones de seguridad de las páginas 3, 4, 5 y 6.

1. Nunca haga estos cortes A PULSO (sin utilizar el tope-guía para cortar al hilo o los dispositivos auxiliares cuando sea necesario), porque la hoja podría atorarse en el corte y causar RETROCESO.
2. Fije siempre firmemente el tope-guía para cortar al hilo cuando se esté utilizando.
3. Retire de la mesa el calibre de ingletes durante toda operación que utilice el tope-guía para cortar al hilo.
4. Asegúrese de que el protector de la hoja esté instalado para todos los cortes del tipo de aserrado pasante. Reinstale el protector INMEDIATAMENTE después de completar las operaciones de reaserrado, corte de rebajos o corte de mortajas.

Compruebe frecuentemente la acción de los TRINQUETES ANTIRRETROCESO pasando la pieza de trabajo junto al separador mientras la sierra esté APAGADA.

Jale la pieza de trabajo HACIA usted. Si los TRINQUETES no PENETRAN en la pieza de trabajo y la SUJETAN, hay que REEMPLAZAR o AFILAR los trinquetes. (Consulte "Mantenimiento de la sierra de mesa").

5. Haga que la hoja sobresalga aproximadamente 1/8 de pulgada por encima de la superficie superior de la pieza de trabajo. Una exposición adicional de la hoja aumentaría el potencial de peligro.
6. No se sitúe directamente delante de la hoja en caso de RETROCESO. Sitúese en cualquiera de los lados de la hoja.

7. Mantenga las manos alejadas de la hoja y fuera de la trayectoria de la misma.
8. Si la hoja se atora o se detiene durante el corte, PONGA EL INTERRUPTOR EN LA POSICIÓN DE APAGADO ("OFF") antes de intentar liberar la hoja.
9. No ponga las manos encima ni detrás de la hoja para jalar la pieza de trabajo a través del corte, para soportar piezas de trabajo largas o pesadas, para retirar pequeños pedazos cortados de material ni POR NINGÚN OTRO MOTIVO.
10. No recoja de la mesa pequeños pedazos de material cortado. RETÍRELOS empujándolos hacia FUERA de la mesa con un palo largo. De lo contrario podrían ser arrojados hacia usted por la parte posterior de la hoja.
11. No retire pequeños pedazos de material cortado que puedan quedar ATRAPADOS dentro del protector de la hoja mientras la sierra está EN FUNCIONAMIENTO. ESTO PODRÍA PONER EN PELIGRO LAS MANOS o causar RETROCESO. APAGUE la sierra y desconecte la fuente de alimentación. Después de que la hoja haya dejado de girar, suba el protector y retire el pedazo.
12. Si la pieza de trabajo está combada, coloque el lado CÓNCAVO hacia ABAJO. Esto evitará que la pieza oscile mientras esté siendo cortada al hilo.

### REFRENTADO AUXILIAR PARA EL TOPE-GUÍA PARA CORTAR AL HILO

Cuando utilice accesorios de mortajar, se deberá utilizar una tabla de refrentado auxiliar. Esto ayudará a evitar dañar el tope-guía de aluminio. El refrentado se debe hacer con madera de 3/4 de pulgada de grosor (Fig. 47).

#### Piezas necesarias:

- Tabla de madera de 3/4 de pulgada de grosor (maciza o de madera contrachapada) cortada con el tamaño deseado.
- Dos (2) abrazaderas.
- El refrentado se hace con la misma altura (2-3/4 pulgadas) que el tope-guía y puede funcionar con el sistema de protector de la hoja instalado en la posición correcta cuando se mueve el tope-guía para entrar en contacto con la hoja. Utilice dos abrazaderas para sujetar la tabla de madera de 3/4 de pulgada de grosor al tope-guía para cortar al hilo.

## Utilización básica de la sierra de mesa

**NOTA:** La tabla de refrentado auxiliar también se deberá utilizar cuando se corte material de menos de 3/16 de pulgada de grosor.

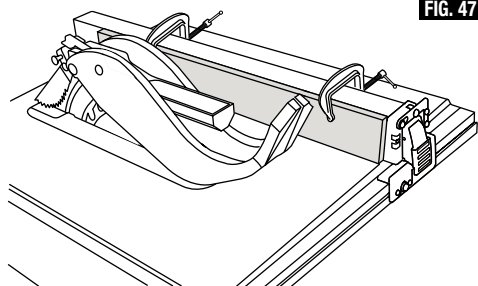


FIG. 47

### CORTE AL HILO

El CORTE AL HILO es cortar un pedazo de madera siguiendo la veta, o longitudinalmente. Esto se hace utilizando el tope-guía para cortar al hilo. Posicione el tope-guía a la ANCHURA DE CORTE AL HILO DESEADA y fíjelo en esa posición.

Antes de comenzar a cortar al hilo, asegúrese de que:

- El tope-guía para cortar al hilo esté paralelo a la hoja de sierra.
- La cuchilla separadora esté alineada adecuadamente con la hoja de sierra.
- Los trinquetes antirretroceso funcionen adecuadamente.

Posicione la parte más ancha de la pieza de trabajo en el lado del tope-guía.

Cuando corte al hilo TABLAS LARGAS o PAN-ELES GRANDES, utilice siempre un soporte auxiliar para la pieza de trabajo o el soporte (Fig. 48).

### CORTE AL HILO EN BISEL

Evite cortar al hilo en bisel con el tope-guía en el lado izquierdo, cuando sea posible. Al cortar al hilo en bisel material de 6 pulgadas o más estrecho, utilice el tope-guía en el lado derecho de la hoja ÚNICAMENTE. Esto proporcionará más espacio entre el tope-guía y la hoja de sierra para utilizar un palo de empuje. Si el tope-guía se monta a la izquierda, es posible que el protector de la hoja de sierra interfiera con el uso adecuado de un palo de empuje.

Cuando la "ANCHURA DEL CORTE AL HILO" sea de 6 pulgadas y MÁS, utilice la mano DERECHA para hacer avanzar la pieza de trabajo y utilice la mano IZQUIERDA ÚNICAMENTE para guiar la pieza de trabajo, no HAGA AVANZAR la pieza de trabajo con la mano izquierda (Fig. 48).

Cuando la "ANCHURA DE CORTE AL HILO" sea de 2 a 6 pulgadas, UTILICE EL PALO DE EMPUJE para hacer avanzar la pieza de trabajo (Fig. 49).

Cuando la ANCHURA DE CORTE AL HILO sea MÁS ESTRECHA de 2 pulgadas, NO SE PODRÁ utilizar el palo de empuje porque el protector interferirá. UTILICE el TOPE-GUÍA AUXILIAR y el BLOQUE DE EMPUJE.

El tope-guía auxiliar se deberá utilizar siempre que la "ANCHURA DE CORTE AL HILO" sea inferior a 6 pulgadas. Si la "ANCHURA DE CORTE AL HILO" tiene una dimensión inferior a la altura de la pieza de trabajo, entonces se deberá hacer y acoplar al tope-guía un tope-guía auxiliar de sacrificio que tenga la altura adecuada para soportar completamente la pieza de trabajo durante el corte.

Haga avanzar la pieza de trabajo a mano hasta que el extremo se encuentre aproximadamente a 1 pulgada del borde delantero de la mesa. Continúe haciendo avanzar la pieza de trabajo utilizando el BLOQUE DE EMPUJE encima del tope-guía auxiliar HASTA QUE SE TERMINE DE REALIZAR EL CORTE (Fig. 52).

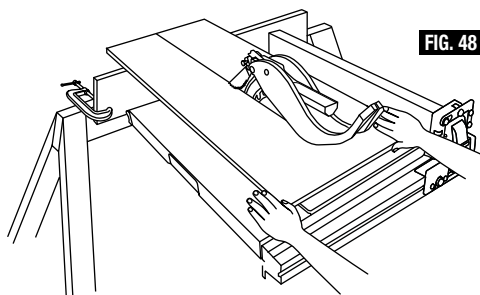


FIG. 48

## Utilización básica de la sierra de mesa

### UTILIZACIÓN DEL CALIBRE DE INGLETES

DURANTE EL CORTE TRANSVERSAL, EL CORTE A INGLETE, EL CORTE EN BISEL, EL CORTE A INGLETE COMPUESTO y al CORTAR REBAJOS transversalmente al extremo de una pieza de trabajo estrecha se utiliza el CALIBRE DE INGLETES.

**⚠ ADVERTENCIA** Para su propia seguridad, siga siempre las siguientes precauciones de seguridad, además de las instrucciones de seguridad que se indican en “Normas generales de seguridad”, “Instrucciones de seguridad para sierras de mesa” y “Normas de seguridad adicionales”.

Nunca haga estos cortes a pulso (sin utilizar el calibre de ingletes u otros dispositivos auxiliares), porque la hoja podría atorarse en el corte y causar RETROCESO o hacer que los dedos o la mano resbalen y entren en contacto con la hoja.

Fije siempre firmemente el calibre de ingletes cuando se esté utilizando.

El calibre de ingletes a 90° se puede utilizar para realizar cortes transversales de 0 a 14 pulgadas. Retire de la mesa el tope-guía para cortar al hilo durante toda operación que utilice el calibre de ingletes.

Cuando realice un corte transversal y la hoja esté ajustada a 90° o 45° respecto a la mesa, el calibre de ingletes se puede utilizar en cualquiera de las dos ranuras de la mesa. Cuando realice un corte transversal y la hoja esté inclinada, use la ranura del lado derecho de la mesa donde la hoja se inclina alejándose de las manos del usuario y del calibre de ingletes.

#### Para ajustar el ángulo de inglete:

Afloje el pomo de fijación y ajuste el cuerpo del calibre de ingletes de manera que el indicador esté en el ángulo deseado y luego apriete el pomo de fijación (Fig. 51).

### REFRENTADO AUXILIAR PARA EL CALIBRE DE INGLETES

El calibre de ingletes de esta sierra de mesa está diseñado para aceptar un refrentado auxiliar con agujeros premoldeados para fijar con sujetadores un pedazo adecuado de madera recta y lisa. Utilice el calibre de ingletes como plantilla para realizar la instalación con los sujetadores adecuados (Fig. 52).

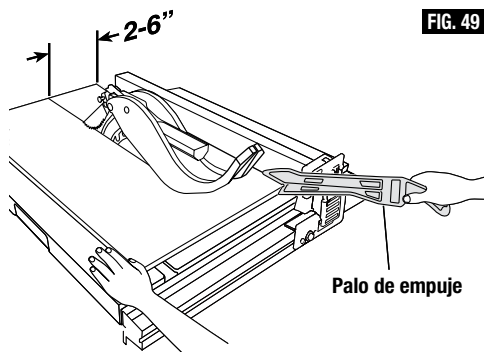


FIG. 49

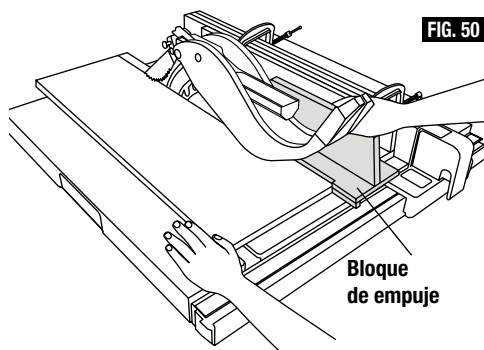


FIG. 50

## Utilización básica de la sierra de mesa

### Ejemplo:

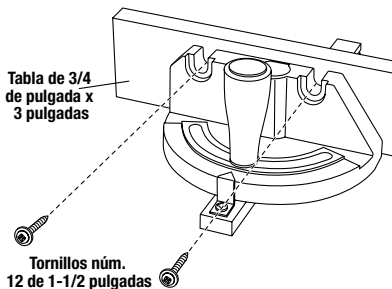
- A. Taladre agujeros de  $\frac{5}{32}$  de pulgada de diámetro a través de una tabla de  $\frac{3}{4}$  de pulgada de grosor, 3 pulgadas de altura y la longitud deseada.
- B. Coloque la tabla en el calibre de ingletes con dos tornillos para madera de cabeza redonda núm. 12 de 1-1/2 pulgadas de longitud, no incluidos (Fig. 52).

Asegúrese de que los tornillos nunca sobresalgan por encima de la superficie exterior del refrentado.

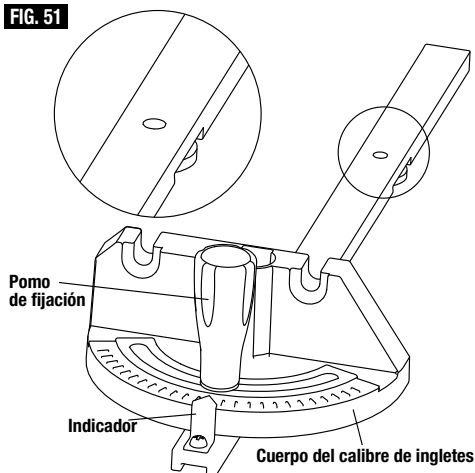
Asegúrese de que el refrentado no interfiera con el funcionamiento apropiado del protector de la hoja de sierra.

**NOTA:** Al realizar cortes transversales en bisel, coloque el refrentado de manera que sobresalga por la derecha del calibre de ingletes y utilice el calibre de ingletes en la ranura que se encuentra a la derecha de la hoja.

**FIG. 52**



**FIG. 51**





## Utilización básica de la sierra de mesa

### CORTE TRANSVERSAL

Se conoce como CORTE TRANSVERSAL a cortar madera en dirección transversal a la veta, a 90°, o en ángulo recto tanto con el borde como con el lado plano de la madera. Esto se hace con el calibre de ingletes ajustado a 90° (Fig. 53).

Asegúrese de que el protector de la hoja esté instalado para todas las operaciones de “aserrado pasante” (cuando la hoja de sierra corta atravesando completamente el grosor de la pieza de trabajo). Reinstale el protector INMEDIATAMENTE después de terminar los cortes de mortajas o de rebajos.

Haga que la hoja sobresalga aproximadamente 1/8 de pulgada por encima de la parte superior de la pieza de trabajo. Una exposición adicional de la hoja aumentaría el potencial de peligros.

No se sitúe directamente delante de la hoja en caso de RECHAZO (un pequeño pedazo cortado enganchado por la parte posterior de la hoja y lanzado hacia el operador). Sitúese en cualquiera de los lados de la hoja.

Mantenga las manos alejadas de la hoja y fuera de la trayectoria de la misma.

Si la hoja se atora o detiene durante el corte, PONGA EL INTERRUPTOR EN LA POSICIÓN DE APAGADO (“OFF”) antes de intentar liberar la hoja.

No ponga las manos encima ni detrás de la hoja para jalar la pieza de trabajo a través del corte, para soportar piezas de trabajo largas o pesadas, para retirar pedazos cortados de material ni POR NINGÚN OTRO MOTIVO.

No recoja de la mesa pequeños pedazos de material cortado. RETÍRELOS empujándolos hacia FUERA de la mesa con un palo largo. De lo contrario podrían ser arrojados hacia atrás, hacia usted, por la parte posterior de la hoja.

No retire pequeños pedazos de material cortado que estén cerca del protector de la hoja o puedan quedar ATRAPADOS dentro del mismo mientras la sierra esté EN FUNCIONAMIENTO. ESTO PODRÍA PONER EN PELIGRO LAS MANOS o causar un RETROCESO. Apague la sierra. Después de que la hoja haya dejado de girar, suba el protector y retire el pedazo.

Si la pieza de trabajo está combada, coloque el lado CÓNCAVO hacia ABAJO. Esto evitará que la pieza oscile mientras está siendo cortada.

Las graduaciones del calibre de ingletes proporcionan precisión para el trabajo corriente de madera. En algunos casos en los que se requiere máxima precisión, al hacer cortes angulares, por ejemplo, realice un corte de prueba y luego compruébelo con una escuadra precisa o un transportador de ángulos.

Si es necesario, la cabeza del calibre de ingletes se puede inclinar ligeramente para compensar cualquier imprecisión.

**CONSEJO:** El espacio entre la barra del calibre de ingletes y la ranura de la mesa se mantiene al mínimo durante la fabricación. Para obtener la máxima precisión al utilizar el calibre de ingletes, “favorezca” siempre un lado de la ranura de la mesa. En otras palabras, no mueva el calibre de ingletes de un lado a otro mientras corta, sino que debe mantener un lado de la barra desplazándose contra un lado de la ranura.

**CONSEJO:** Encole un pedazo de papel de lija en la cara de la cabeza del calibre de ingletes. Esto ayudará a evitar que la pieza de trabajo se desplace mientras está siendo cortada.

El calibre de ingletes se puede utilizar en cualquiera de las ranuras de la mesa. Asegúrese de que esté fijo.

Al utilizar el calibre de ingletes en la ranura de la IZQUIERDA, sujete la pieza de trabajo firmemente contra la cabeza del calibre con la mano izquierda y agarre el pomo de fijación con la mano derecha.

Al utilizar la ranura de la DERECHA, sujete la pieza de trabajo con la mano derecha y el pomo de fijación con la mano izquierda.

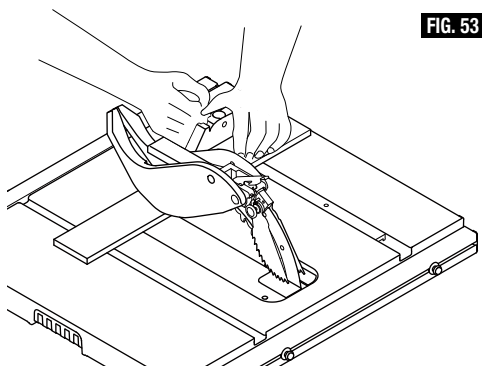


FIG. 53



## Utilización básica de la sierra de mesa

### CORTE REPETITIVO

CORTE REPETITIVO es cortar varias piezas de la misma longitud sin necesidad de marcar cada una de ellas (Fig. 54).

Cuando haga cortes repetitivos de una pieza larga, asegúrese de que esté soportada.

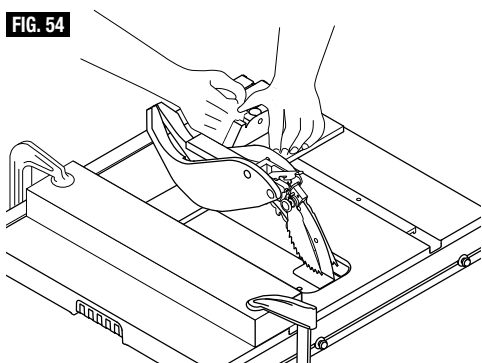
**ADVERTENCIA** No use nunca el tope-guía para cortar al hilo como tope de longitud, porque el pedazo cortado se podría atorar entre el tope-guía y la hoja y causar un retroceso.

1. Cuando haga cortes repetitivos, fije a la mesa un bloque de madera de 3 pulgadas de longitud a la distancia deseada para que actúe como tope de longitud.

**ADVERTENCIA** Al fijar el bloque, compruebe que el extremo del bloque se encuentra bien por delante de la hoja de sierra. Asegúrese de que esté firmemente sujeto.

2. Deslice la pieza de trabajo a lo largo del calibre de ingletes hasta que toque el bloque y luego sujétela firmemente.
3. Haga el corte, jale la pieza hacia atrás y empuje el pedazo cortado hacia fuera de la mesa con un palo de empuje largo. **NO INTENTE RECOGERLO, YA QUE ESTO PODRÍA PONER EN PELIGRO LAS MANOS.**

FIG. 54



### CORTE A INGLETE

EL CORTE A INGLETE es cortar madera a un ángulo distinto a 90° con el borde de la madera. Siga el mismo procedimiento que seguiría para cortar transversalmente (Fig. 55).

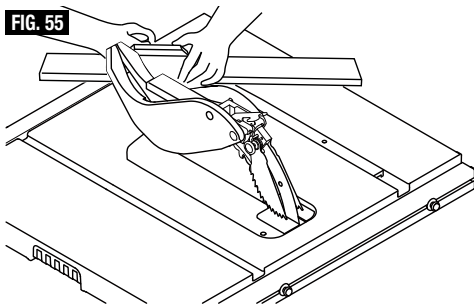
Ajuste el calibre de ingletes al ángulo deseado y fíjelo.

El calibre de ingletes se podrá utilizar en cualquiera de las ranuras de la mesa.

Al utilizar el calibre de ingletes en la ranura de la IZQUIERDA, sujete la pieza de trabajo firmemente contra la cabeza del calibre de ingletes con la mano izquierda y agarre el pomo de fijación con la mano derecha.

Al utilizar la ranura de la DERECHA, sujete la pieza de trabajo con la mano derecha y el pomo de fijación con la mano izquierda.

FIG. 55



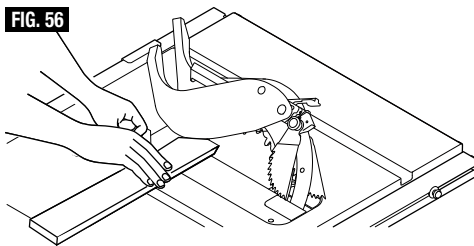
### CORTE TRANSVERSAL EN BISEL

EL CORTE TRANSVERSAL EN BISEL es lo mismo que el corte transversal, excepto que la madera también se corta en un ángulo de bisel distinto a 90° con el lado plano de la madera (Fig. 56).

Ajuste la hoja al ángulo deseado.

Utilice el calibre de ingletes en la ranura que se encuentra a la DERECHA o a la IZQUIERDA de la hoja.

FIG. 56



# Utilización básica de la sierra de mesa

## CORTE A INGLETE COMPUESTO

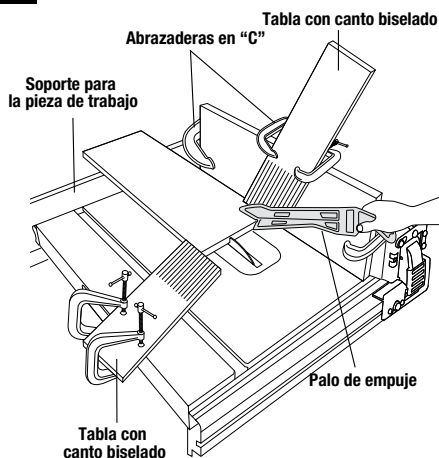
El CORTE A INGLETE COMPUESTO es una combinación de corte a inglete y corte transversal en bisel. El corte se hace a un ángulo distinto de 90° respecto al borde y a la superficie plana de la madera.

Ajuste el calibre de ingletes y la hoja al ángulo deseado y asegúrese de que el calibre de ingletes esté fijo.

## ASERRADO NO PASANTE

Añada una tabla de refrentado plano de 8 pulgadas de altura al tope-guía a lo largo de toda la longitud del mismo (Fig. 57).

FIG. 57



Utilice tablas con canto biselado para todas las operaciones de "aserrado no pasante" (cuando hay que retirar el protector de la hoja de sierra). Las tablas con canto biselado se utilizan para mantener la pieza de trabajo en contacto con el tope-guía y la mesa, de la manera que se muestra en la ilustración, y para detener retrocesos.

Monte las tablas con canto biselado en el tope-guía y en la mesa de la manera que se muestra en la ilustración, para que los bordes de avance de las tablas con canto biselado soporten la pieza de trabajo hasta que se termine de realizar el corte y la pieza de trabajo haya sido empujada por completo pasado el cortador (hoja de sierra, fresa de mortajar, etc.) con un palo de empuje, igual que al cortar al hilo.

Antes de comenzar la operación (con la sierra APAGADA y el cortador ajustado por debajo de la superficie de la mesa):

- A. Instale las tablas con canto biselado para que ejerzan presión sobre la pieza de trabajo; ASEGÚRESE DE QUE ESTÉN FIRMEMENTE SUJETAS.
- B. Asegúrese mediante la realización de pruebas de que las tablas con canto biselado detendrán un retroceso en caso de que éste se produzca.

Las tablas con canto biselado no se emplean durante las operaciones de aserrado no pasante cuando se utiliza el calibre de ingletes.

REINSTALE EL SISTEMA DE PROTECTOR INTELIGENTE SMART GUARD EN CUANTO TERMINE DE REALIZAR LA OPERACIÓN DE ASERRADO NO PASANTE.

## CORTE DE REBAJOS

El CORTE DE REBAJOS es cortar una sección de la esquina de un pedazo de material transversalmente a un extremo o a lo largo de un borde (Fig. 58).

La realización de un CORTE DE REBAJO requiere cortes que no atraviesen completamente el material. Por lo tanto, hay que quitar el protector de la hoja.

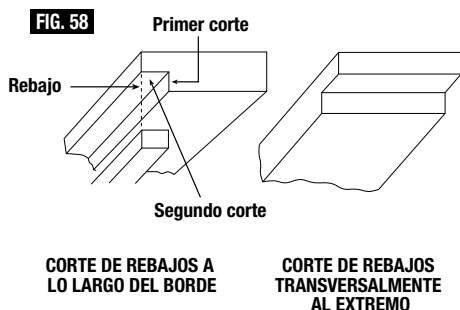
1. Retire el protector de la hoja.
2. Para cortar rebajos a lo largo de un borde (el lado largo de la pieza de trabajo) de la manera que se muestra en la ilustración, añada un refrentado al tope-guía para cortar al hilo a una altura aproximadamente igual a la anchura de la pieza de trabajo. Ajuste el tope-guía para cortar al hilo y la hoja a las dimensiones requeridas; luego, haga el primer corte con la tabla en posición horizontal sobre la mesa; siga el procedimiento que se muestra en la Fig. 58. Haga un segundo corte con la pieza de trabajo sobre su borde. Siga todas las precauciones, instrucciones de seguridad e instrucciones de utilización de la misma manera que para cortar al hilo o para operaciones del tipo de corte al hilo, incluyendo tablas con canto biselado y palo de empuje, etc.
3. Para cortar rebajos transversalmente a un extremo, en el caso de una pieza de trabajo de 10-1/2 pulgadas y más estrecha, haga el corte de rebajo con la tabla plana sobre la mesa.

## Utilización básica de la sierra de mesa

Utilizando el calibre de ingletes equipado con un refrentado, siga los mismos procedimientos e instrucciones para cortar transversalmente haciendo cortes sucesivos transversalmente a la anchura de la pieza de trabajo para obtener la anchura de corte deseada. NO utilice el tope-guía para cortar al hilo para cortar rebajos transversalmente al extremo.

4. INSTALE EL SISTEMA DE PROTECTOR INTELIGENTE SMART GUARD INMEDIATAMENTE DESPUÉS DE COMPLETAR LA OPERACIÓN DE CORTE DE REBAJOS.

Los cortes de rebajos también se pueden realizar en una pasada de la pieza de trabajo sobre el cortador utilizando la fresa de mortajar.



### CORTE DE MORTAJAS

Las instrucciones para utilizar la sierra con juegos de fresas de mortajar están contenidas en el folleto suministrado con estos accesorios.

UTILICE SIEMPRE UN INSERTO DE MESA SKILSAW APROPIADO Y LAS ARANDELAS QUE SE INDICAN EN “ACCESORIOS RECOMENDADOS”.

COLOQUE SIEMPRE LAS ARANDELAS DE LA HOJA EN LAS POSICIONES ORIGINALES CUANDO HAYA ACABADO DE CORTAR MORTAJAS.

### INSTALACIÓN DE UN JUEGO DE MORTAJAR

Un juego de mortajar es un sistema accesorio que se utiliza para hacer ranuras no pasantes o cortes de superposición en piezas de trabajo. Estas herramientas se utilizan comúnmente en la construcción de muebles y gabinetes. Después de que se hayan hecho apropiadamente los cortes de mortajas en las piezas de trabajo, éstas se pueden unir compactamente. La sierra de mesa esto puede acomodar el corte de mortajas de hasta 1/2 de pulgada de ancho en una sola pasada.

**⚠ ADVERTENCIA** Para reducir el riesgo de lesiones, desconecte siempre el enchufe de la fuente de alimentación antes de cambiar las hojas.

**⚠ ADVERTENCIA** Para reducir el riesgo de lesiones, utilice siempre el inserto de la mesa para hojas de mortajar de 1/2 pulgada SKILSAW SPT5005-DD o el inserto de la mesa para hojas de mortajar.

No haga nunca cortes de mortajas sin este inserto. No use juegos de mortajar de más de 8 pulgadas de diámetro. No ajuste nunca los cortadores de mortajar a ángulos de bisel que no sean el ángulo de 0° vertical. Haga caso de todas las advertencias e instrucciones mostradas aquí y las que acompañan al juego de mortajar. Si no se hace caso de estas advertencias, es posible que el resultado sea lesiones corporales graves.

**⚠ ADVERTENCIA** Para reducir el riesgo de lesiones, no utilice juegos de mortajar de más de 8 pulgadas de diámetro. La sierra no está diseñada para aceptar fresas de mortajar de tamaños más grandes.

## Utilización básica de la sierra de mesa

### UTILIZACIÓN DE JUEGOS DE MORTAJAR APILADOS

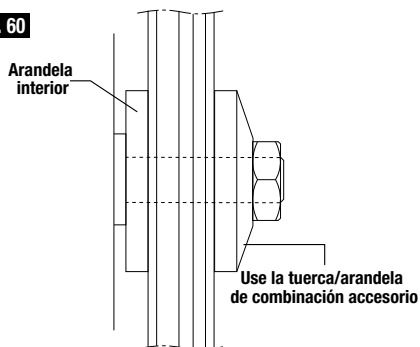
**NOTA:** Estas instrucciones se aplican a la mayoría de juegos de mortajar apilados estándar.

1. Desconecte el enchufe de la fuente de alimentación.
2. Retire el ensamblaje del protector de barrera y el dispositivo antirretroceso.
3. Retire la placa de inserción de la mesa estándar. Suba la hoja de sierra hasta la altura máxima. Baje y bloquee la cuchilla de buceo en su posición más baja.
4. Retire la tuerca del eje portaherramienta, luego la arandela exterior y luego la hoja de sierra. **NOTA:** Solo para cortar mortajas, deje la arandela interna colocada en su sitio. La arandela exterior se reemplazará por la tuerca/arandela de combinación incluida con el inserto SPT5005-DD.
5. Instalación de un apilamiento de mortajar (Fig. 59).

- a. Coloque las piezas deseadas del juego de mortajar en el vástago del eje portaherramienta.
  - b. Coloque la tuerca/arandela de combinación suministrada en el kit de accesorios de mortajar SPT5005-DD sobre el exterior del apilamiento de mortajar y apríetela.
6. Colocación de las hojas de mortajar y los astilladores: (Fig. 59).
- Para realizar cortes de más de 1/4 de pulgada de ancho, coloque las dos hojas (cortadores) exteriores de mortajar en el vástago. Las dos hojas exteriores de mortajar pueden ser diferentes. Consulte la información sobre la hoja y las instrucciones del fabricante para realizar una instalación correcta.

- Para realizar cortes más anchos (hasta 1/2 pulgada como máximo para el inserto SPT5005-DD), se pueden colocar hojas astilladoras y espaciadores solamente entre las hojas (cortadores) exteriores.

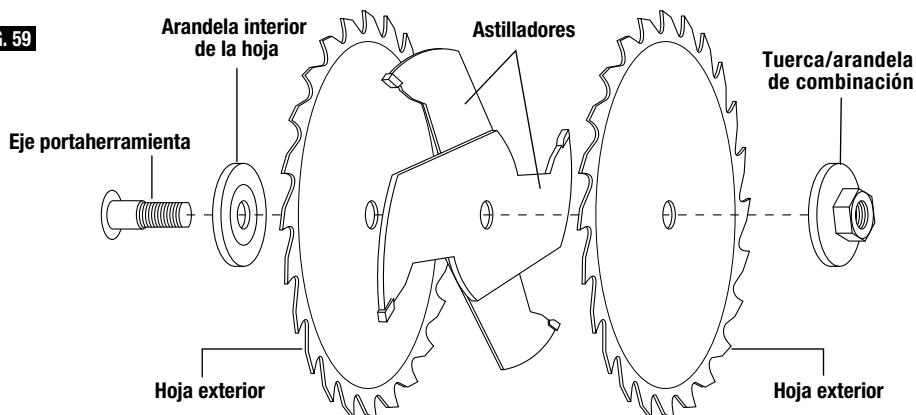
**FIG. 60**



**⚠ ADVERTENCIA** Para reducir el riesgo de lesiones, no utilice nunca una sola hoja de mortajar para realizar cortes de aserrado pasante normal. No utilice nunca astilladores sin ambos cortadores exteriores. Lea y siga las instrucciones de utilización y seguridad incluidas con el juego de mortajar.

**NOTA:** Con esta sierra, no exceda una anchura acumulada mayor de 1/2 pulgada. Utilice la tuerca/arandela de combinación suministrada con el inserto SPT5005-DD.

**FIG. 59**



## Utilización básica de la sierra de mesa

7. Baje las hojas por debajo del tablero de la mesa e inserte el inserto de la mesa para mortajar SKILSAW (Fig. 61). Ajuste la inserción de la ranura para que quede al ras con la superficie de la mesa de la sierra. Suba los cortadores hasta la profundidad de corte deseada (por encima del inserto). Asegúrese de que la herramienta no esté enchufada en una fuente de alimentación; luego, gire cuidadosamente a mano los cortadores para asegurarse de que todos los componentes estén firmemente sujetos y que no haya interferencias.
8. Enchufe la sierra en la fuente de alimentación. Utilizando madera de desecho, haga cortes de mortajas de práctica y ajuste la altura según corresponda.

**⚠ ADVERTENCIA** Para reducir el riesgo de lesiones, no pase nunca las manos sobre las hojas de mortajar cuando estén cortando. Los cortes de mortajas son cortes no pasantes (ciegos). Muchas veces los cortadores no se pueden ver durante la realización del corte. Consulte las instrucciones de “Aserrado no pasante”.

**⚠ ADVERTENCIA** Para reducir el riesgo de lesiones, no haga nunca cortes a pulso. La pieza de trabajo se debe sostener contra el tope-guía o el calibre de ingletes de la sierra mientras se hace que dicha pieza avance. Siempre que sea posible, use palos de empuje o bloques de empuje para realizar cortes. Utilice siempre tablas con canto biselado, acopladas a la mesa o al tope-guía, cuando corte al hilo. Consulte la sección “Ayudantes de trabajo”. Cuando corte transversalmente, sujete firmemente la pieza de trabajo contra el calibre de ingletes.

**NOTA:** Como los cortes de mortajas son cortes no pasantes, el calibre de ingletes se puede utilizar con el tope-guía bloqueado en la posición correcta. Esto es útil cuando se realizan cortes transversales repetitivos de mortajas desde los extremos de más de una pieza de trabajo. Cada pieza se sujeta contra el calibre de ingletes y su extremo se desliza a lo largo del tope-guía a una distancia prefijada.

Dependiendo de la profundidad de corte final y/o la densidad del material, es posible que sea nece-

sario realizar múltiples cortes, comenzando con profundidades pequeñas de 1/4 de pulgada a 1/2 pulgada y progresando hasta la profundidad final. Cuando realice muchos cortes repetitivos de mortajas, compruebe periódicamente las piezas de trabajo para asegurarse de que se mantenga la profundidad de corte.

### REGRESO DE LA SIERRA A ASERRADO PASANTE NORMAL

Después de completar el corte de mortajas, asegúrese de devolver las arandelas interior y exterior a las posiciones originales (consulte los detalles en “Remoción e instalación de la hoja”). Es importante que las arandelas del equipo original estén en las posiciones adecuadas para que la hoja de sierra se alinee siempre con la cuchilla separadora instalada permanentemente.

### JUEGOS DE MORTAJAR AJUSTABLES U OSCILANTES

**⚠ ADVERTENCIA** Para reducir el riesgo de lesiones, no use juegos de mortajar ajustables u “oscilantes” en esta sierra. Los juegos de mortajar ajustables se pueden ubicar fácilmente en posiciones que es posible que interfieran con los componentes de trabajo de esta sierra.



# Utilización básica de la sierra de mesa

## TÉCNICAS DE CORTE ESPECIALES

**⚠ ADVERTENCIA** No intente realizar cortes no cubiertos en este manual, a menos que esté muy familiarizado con los procedimientos y la utilización de dispositivos de fijación. Estos tipos de cortes incluyen, pero no están limitados a, cortes cónicos y cortes no pasantes complejos, tales como cortes por inmersión, reaserrado, corte de cabezas de moldura y cortes de ranuras. Esta sierra de mesa es una herramienta de gran versatilidad, capaz de realizar una amplia gama de cortes altamente especializados que no se pueden cubrir en este manual.

Acuda a la biblioteca local para obtener libros sobre técnicas de trabajo en madera tales como: *The Complete Book of Stationary Power Tool Techniques* (El libro completo de técnicas para herramientas eléctricas estacionarias) de R.J. De Christoforo o *Table Saw Techniques* (Técnicas para sierras de mesa) de R. Cliffe.

## CORTE DE METALES Y MAMPOSTERÍA

**⚠ ADVERTENCIA** Esta sierra de mesa no se recomienda para cortar metales tales como aluminio o cobre, incluso con una hoja especial diseñada para cortar estos materiales.

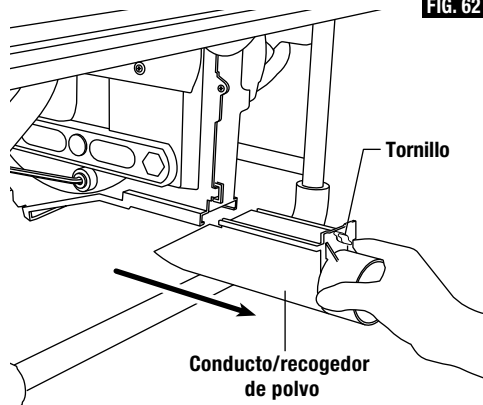
**⚠ ADVERTENCIA** Esta sierra de mesa no se recomienda para cortar ningún material de mampostería, incluso con ruedas de corte abrasivas.

**⚠ ADVERTENCIA** Para su propia seguridad, ponga el interruptor en la posición de APAGADO ("OFF") y saque el enchufe del tomacorriente de la fuente de alimentación antes de realizar mantenimiento de la sierra o de lubricarla.

## DESPEJE EL CONDUCTO/ RECOGEDOR DE POLVO

A veces, es posible que las pedazos delgados cortados caigan a través del inserto de la mesa y hasta el conducto para polvo. Es posible que estos pedazos cortados se acumulen y dificulten la recolección de polvo. Su sierra de mesa está diseñada con un conducto/recolector de polvo de acceso sin necesidad de herramientas para despejar este espacio de manera rápida y fácil.

FIG. 62



1. Afloje el tornillo del retenedor del conducto / recolector de polvo (Fig. 62).
2. Retire el conducto / recolector de polvo deslizándolo de manera que se aleje de la herramienta y utilícelo para eliminar todos los residuos.
3. Reinstale el conducto / recolector de polvo y asegúrelo con el tornillo del retenedor.

**⚠ ADVERTENCIA** La herramienta no se deberá utilizar sin sujetar correctamente el conducto / recolector de polvo con el tornillo del retenedor.

No permita que se acumule aserrín dentro de la sierra. Sople frecuentemente con aire comprimido todo el polvo que se acumule en el interior del gabinete de la sierra, el motor o los engranajes de elevación de la hoja. Limpie las herramientas (es decir, las hojas) con un quitagomas y quitaresinas.

Limpie periódicamente el protector. Límpielo con un paño o soplelo con aire comprimido.

Hay que limpiar el cable de alimentación y la herramienta con un paño limpio y seco para evitar el deterioro debido al aceite y la grasa.

**⚠ ADVERTENCIA** Ciertos agentes de limpieza y solventes pueden dañar las piezas de plástico. Algunos de estos son: gasolina, tetracloruro de carbono, solventes de limpieza clorados, amoníaco y detergentes domésticos que contienen amoníaco. Al evitar utilizar estos y otros tipos de agentes de limpieza se minimizará la posibilidad de que se produzcan daños.

## Mantenimiento de la sierra de mesa

Una capa de cera tipo automóvil aplicada a la mesa ayudará a mantener la superficie limpia y permitirá que las piezas de trabajo se deslicen más libremente.

Si el cable de alimentación está desgastado o cortado, o dañado de alguna manera, haga que lo reemplacen inmediatamente.

Asegúrese de que los dientes de los trinquetes ANTIRRETROCESO estén siempre afilados. Para afilarlos:

1. Retire el protector de la hoja.
2. Rote el trinquete hacia la parte trasera del separador de manera que los dientes estén por encima de la parte superior de dicho separador.
3. Sujete el separador con el trinquete sobre la esquina de un banco de trabajo (Fig. 63).
4. Utilizando una lima redonda pequeña (de picadura dulce), afile los dientes.

**⚠ ADVERTENCIA** Todas las reparaciones, eléctricas o mecánicas, deberán ser intentadas únicamente por técnicos de reparación capacitados. Póngase en contacto con el Centro de Servicio de Fábrica o la Estación de Servicio Autorizado más cercanos o con otro servicio de reparaciones competente. Utilice únicamente piezas de repuesto idénticas, cualquier otra pieza puede constituir un peligro.

**⚠ ADVERTENCIA** Para reducir el riesgo de lesiones, compruebe periódicamente que todos los sujetadores estén acoplados y ajustados de acuerdo con las instrucciones de ensamblaje incluidas en este manual.

### LUBRICACIÓN

La caja de engranajes ha sido lubricada completamente en la fábrica. Sin embargo, después de seis meses a un año, según el uso, es aconsejable llevar la herramienta al Centro de Servicio más cercano para hacer lo siguiente:

- Reemplazar las escobillas.
- Limpiar e inspeccionar piezas.
- Relubricar con lubricante nuevo.
- Comprobar el sistema eléctrico
- Todas las reparaciones.

Las siguientes piezas se deberán engrasar de vez en cuando con aceite SAE Núm. 20 o Núm. 30, o WD 40 (Fig. 64).

FIG. 63

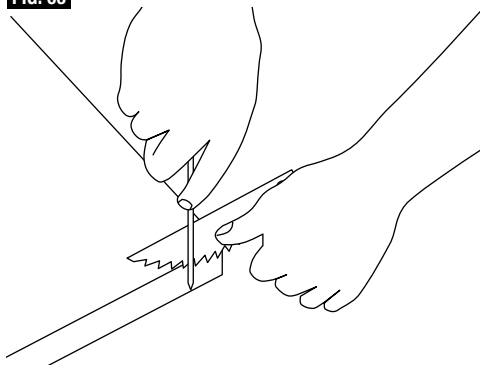
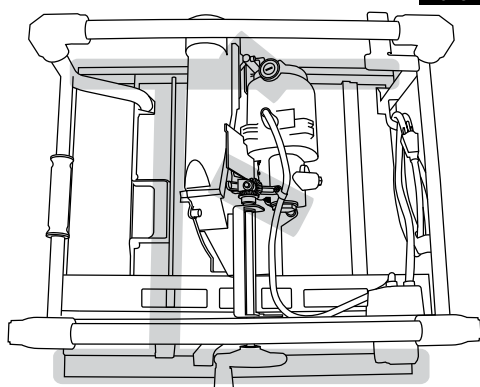


FIG. 64



1. Elevación, varillas de soporte y engranajes
2. Rieles deslizantes y soportes.
3. Levas de fijación de la mesa (en la parte delantera y trasera).

### LUBRICACIÓN DE LOS ENGRANAJES DE TORNILLO SIN FIN

Esta herramienta SKILSAW ha sido lubricada apropiadamente y está lista para utilizarse. Sin embargo, se recomienda relubricar los engranajes únicamente con lubricante SKILSAW Núm. 80111 (tubo de 8 oz). Compruebe siempre el nivel del aceite antes de utilizar la sierra. Como mínimo, el aceite se deberá cambiar una vez al año en el caso de uso pesado o después de aproximadamente 60 horas de uso.



## Mantenimiento de la sierra de mesa

### Para comprobar el aceite y añadir aceite:

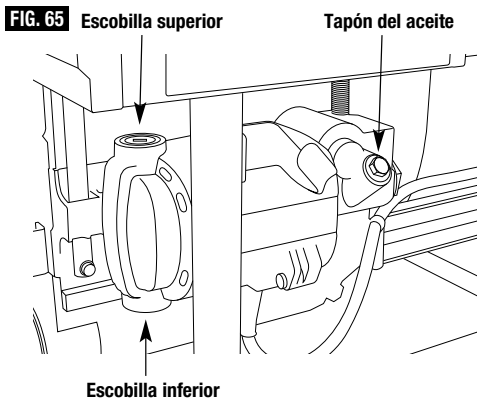
Saque el enchufe de la fuente de alimentación. Mueva la hoja hasta su posición más baja. Coloque la sierra sobre una superficie plana y estable con la mesa orientada hacia arriba (vea la Fig. 65). Retire el tapón del aceite utilizando la llave de tuerca de 1/2 pulgada. Asegúrese de que el aceite no esté por debajo del nivel de las roscas.

**Para cambiar el aceite:** Coloque un colector de aceite debajo de la espita e incline suavemente la sierra de mesa hacia arriba, de manera que la espita del aceite esté orientada hacia abajo, hacia el interior del colector de aceite, y que el mango esté orientado hacia arriba. Deje que el aceite salga de la caja de engranajes. Coloque la parte trasera de la sierra de mesa de manera que esté nivelada sobre sus pies. Utilizando una pipeta rellenedora de aceite, rellene la unidad con aceite hasta que éste llegue a las roscas inferiores de la caja de engranajes. No llene excesivamente dicha caja. Reinstale el tapón del aceite cuando haya acabado. Elimine todo el aceite que quede en las superficies exteriores de la herramienta antes de usarla.

**NOTA:** Cuando compruebe el aceite, si está sucio o espeso, reinstale el tapón del aceite y haga funcionar la sierra durante un minuto para calentar el aceite. Luego, retire el tapón del aceite y voltee la sierra, para que salga todo el aceite. Añada lubricante SKILSAW nuevo (Núm. 80111). En el caso de una sierra nueva, cambie el aceite después de las diez primeras horas de uso.

### ESCOBILLAS DE CARBONO

Las escobillas y el conmutador de la herramienta han sido diseñados para brindar muchas horas de servicio confiable. Para mantener la máxima eficiencia del motor, se recomienda examinar las escobillas cada dos a seis meses. Las escobillas deberán estar libres de polvo y suciedad. Las escobillas se deberán reemplazar cuando se hayan desgastado hasta 3/16 de pulgada de longitud. Las escobillas deberán deslizarse libremente hacia dentro y hacia fuera de los portaescobillas sin atorarse.



### Para comprobar las escobillas:

1. Desconecte el enchufe de la fuente de alimentación.
2. Mueva la hoja hasta su posición más baja.
3. Para comprobar la escobilla superior: Coloque la sierra sobre una superficie plana y estable con la mesa orientada hacia arriba. Para comprobar la escobilla inferior: Coloque la sierra sobre una superficie plana y estable con el extremo en el que está el enrollador del cable de alimentación orientado hacia arriba.
4. Afloje la tapa de escobilla ubicada en la carcasa del motor, rotándola 1/4 de vuelta con un destornillador corto o una moneda de 25 centavos, y luego acabe retirando la escobilla a mano. Fijese en qué sentido está orientada la escobilla, para que se pueda devolver a su posición original.
5. Limpie la abertura del portaescobilla con aire comprimido o un paño limpio.
6. Reinstale la escobilla y la tapa.

**⚠ ADVERTENCIA** Solamente se deberán utilizar escobillas de repuesto SKILSAW genuinas diseñadas especialmente para su herramienta.



## Accesorios recomendados

Item	Catalog No.
Soporte plegable	SPT5003-FS
Inserto de holgura cero	SPT5004-ZC
Inserto de mortajar de 1/2	SPT5005-DD

**⚠ ADVERTENCIA** Utilice únicamente accesorios recomendados. Siga las instrucciones que acompañan a los accesorios. Es posible que la utilización de accesorios inadecuados cause peligros.

## Resolución de problemas

**⚠ ADVERTENCIA** Ponga el interruptor en la posición de APAGADO (“OFF”) y saque el enchufe de la fuente de alimentación antes de la resolución de problemas.

PROBLEMA	CAUSA	SOLUCIÓN
La sierra no arranca	El cable de alimentación no está enchufado.	Enchufe la sierra.
	El fusible se ha fundido o el cortacircuito ha saltado.	Reemplace el fusible o reajuste el cortacircuito que ha saltado.
	Cable de alimentación dañado.	Haga que el cable de alimentación sea reemplazado por un Centro de Servicio SKILSAW Autorizado o una Estación de Servicio SKILSAW Autorizada.
	Interruptor quemado.	Haga que el interruptor sea reemplazado por un Centro de Servicio SKILSAW Autorizado o una Estación de Servicio SKILSAW Autorizada.
La hoja no alcanza la velocidad máxima	Cable de extensión demasiado ligero o demasiado largo.	Reemplácelo por un cable adecuado.
	Tensión de alimentación baja.	Contacte a la compañía eléctrica.
Vibración excesiva	No se apretó el mango de fijación del bisel.	Consulte la sección “Familiarización con la sierra de mesa”.
	Hoja desequilibrada.	Deseche la hoja y use una hoja distinta.
	La sierra no está montada de manera segura en una base de soporte o un banco de trabajo.	Apriete todos los herrajes de montaje, consulte la sección “Montaje de la sierra de mesa”.
	La tuerca del eje portaherramienta no está apretada.	Consulte la sección “Ensamblaje”, “Cambio de la hoja”.
El corte se atora, quema, detiene el motor al cortar al hilo	Hoja desafilada con triscado incorrecto de los dientes.	Afile o reemplace la hoja.
	Tabla combada.	Asegúrese de que el lado cóncavo o ahuecado esté orientado hacia “ABAJO” y haga avanzar lentamente la pieza de trabajo.
	El tope-guía para cortar al hilo no está paralelo a la hoja.	Consulte la sección “Ajustes”, “Alineación del tope-guía para cortar al hilo”.
	La cuchilla separadora está desalineada.	Consulte la sección “Ajustes”, “Alineación de la cuchilla separadora”.

## Resolución de problemas

<b>El corte no está alineado en las posiciones de 90° o 45°</b>	Los tornillos de alineación no están ajustados correctamente.	Consulte la sección “Ajustes”, “Ajuste de la hoja paralela a las ranuras del calibre de ingletes”.
<b>Plastic melts or blade tips overheat when cutting</b>	Feedrate to high.	Slow feedrate through blade.
	Blades tip not sharp.	Sharpen or replace blade.
<b>La rueda de elevación del mango de fijación de la inclinación es difícil de mover</b>	El mango de fijación del bisel no se ha aflojado al realizar un ajuste de la inclinación.	Consulte la sección “Familiarización con la sierra de mesa”, “Pomo de fijación de la inclinación de la hoja”.
	Hay aserrín en las roscas del tornillo de profundidad.	Consulte la sección “Mantenimiento de la sierra de mesa”, “Lubricación”.
<b>El cortacircuito salta</b>	El cortacircuito salta repetidamente durante las operaciones de corte.	Reemplace la hoja por una hoja nueva. Reduzca la fuerza aplicada a la pieza de trabajo durante el corte.



**LIMITED WARRANTY OF SKILSAW® PROFESSIONAL PORTABLE AND PROFESSIONAL BENCHTOP POWER TOOLS  
DESIGNATED WITH A MODEL NUMBER BEGINNING WITH SPT**

Chervon North America, ("Seller") warrants to the original purchaser only, that all SKILSAW professional portable and benchtop power tools designated with a model number beginning with SPT, will be free from defects in material or workmanship for a period of one year from date of purchase.

SELLER'S SOLE OBLIGATION AND YOUR EXCLUSIVE REMEDY under this Limited Warranty and, to the extent permitted by law, any warranty or condition implied by law, shall be the repair or replacement of parts, without charge, which are defective in material or workmanship and which have not been misused, abused, or repaired by persons other than Seller or Authorized Service Center. To make a claim under this Limited Warranty, you must return the complete product, transportation prepaid, to any BOSCH Factory Service Center or Authorized Service Center. For Authorized BOSCH Power Tool Service Centers, please visit [www.skilsaw.com](http://www.skilsaw.com) or call 1-877-SKIL-999 (1-877-754-5999).

In addition to the limited warranty above, SKILSAW professional portable and benchtop power tools designated with a model number beginning with SPT are covered by our 180-Day STAY TRUE® Guarantee. The original purchaser may return any eligible SKILSAW professional portable and benchtop power tool for any reason to the original place of purchase, within 180 days from the date of purchase for a full refund. The Original purchaser must retain the receipt as proof of purchase. Reconditioned tools ARE NOT eligible for our STAY TRUE GUARANTEE.

---

**GARANTIE LIMITÉE D'OUTILS ÉLECTRIQUES PROFESSIONNELS PORTATIFS ET PROFESSIONNELS DE TABLE SKILSAW®  
CONÇUS AVEC UN NUMÉRO DE MODÈLE COMMENÇANT PAR SPT**

Chervon North America, (« Vendeur ») garantit à l'acheteur original seulement que tous les outils électriques professionnels portatifs et de table SKILSAW conçus avec un numéro de modèle commençant par SPT ne comporteront aucun défaut de matériau ou vice de fabrication pendant une période d'un an à compter de la date de leur achat.

LA SEULE OBLIGATION DU VENDEUR ET VOTRE REMÈDE EXCLUSIF en vertu de la présente Garantie limitée et, dans la mesure autorisée par la loi, de toute garantie ou condition s'appliquant de plein droit, sera la réparation ou le remplacement sans frais des pièces affectées d'un défaut de matériau ou d'un vice de fabrication, à condition qu'elles n'aient pas été utilisées de façon inappropriée ou abusivement, et qu'elles n'aient pas été réparées par des personnes autres que le Vendeur ou un Centre de service après-vente agréé. Pour vous prévaloir de la présente Garantie limitée, vous devez retourner le produit complet, en port payé, à un centre de service usine BOSCH ou à un centre de service après-vente agréé. Pour trouver les centres de service après-vente agréés de BOSCH pour des outils électriques, veuillez vous rendre sur le site [www.skilsaw.com](http://www.skilsaw.com) ou téléphoner au 1-877-SKIL-999 (1-877-754-5999).

En plus de la garantie limitée susmentionnée, les outils électriques professionnels portatifs et de table SKILSAW conçus avec un numéro de modèle commençant par SPT sont couverts par notre garantie de 180 jours STAY TRUE®. L'acheteur original peut retourner à l'endroit où il l'a acheté tout outil électrique professionnel portatif ou de table SKILSAW admissible pour quelque raison que ce soit dans les 180 jours suivant la date de son achat pour obtenir un remboursement intégral. L'acheteur original doit conserver son reçu comme preuve d'achat. Les outils remis en état NE SONT PAS admissibles pour notre GARANTIE STAY TRUE.

---

**GARANTÍA LIMITADA PARA HERRAMIENTAS ELÉCTRICAS SKILSAW® PROFESIONALES PORTÁTILES Y DE BANCO  
PROFESIONALES DESIGNADAS CON UN NÚMERO DE MODELO QUE COMIENZE CON SPT**

Chervon North America, (el "Vendedor") garantiza, únicamente al comprador original, que todas las herramientas eléctricas SKILSAW profesionales portátiles y de banco designadas con un número de modelo que comience con SPT estarán libres de defectos de material o de fabricación durante un período de un año a partir de la fecha de compra.

LA ÚNICA OBLIGACIÓN DEL VENDEDOR Y EL RECURSO EXCLUSIVO QUE USTED TIENE bajo esta Garantía Limitada y, en la medida en que la ley lo permita, bajo cualquier garantía o condición implícita por ley, consistirá en la reparación o el reemplazo sin cargo alguno de las piezas que presenten defectos de material o de fabricación y que no hayan sido utilizadas incorrectamente, sometidas a abuso o reparadas por personas que no sean el Vendedor o un Centro de Servicio Autorizado. Para efectuar un reclamo bajo esta Garantía Limitada, usted debe devolver el producto completo, con el transporte prepago, a cualquier Centro de Servicio de Fábrica BOSCH o Centro de Servicio Autorizado BOSCH. Para localizar Centros de Servicio de Herramientas Eléctricas BOSCH Autorizados, sírvase visitar [www.skilsaw.com](http://www.skilsaw.com) o llamar al 1-877-SKIL-999 (1-877-754-5999).

Además de la garantía limitada que antecede, las herramientas eléctricas SKILSAW profesionales portátiles y de banco designadas con un número de modelo que comience con SPT están cubiertas por nuestra garantía STAY TRUE® de 180 días.

El comprador original podrá devolver cualquier herramienta eléctrica SKILSAW profesional portátil y de banco que reúna los requisitos, por cualquier motivo, dentro del plazo de 180 días a partir de la fecha de compra, para recibir un reembolso completo. El comprador original debe retener el recibo como comprobante de compra. Las herramientas reacondicionadas NO REÚNEN los requisitos de nuestra GARANTÍA STAY TRUE.

© Chervon North America, 1203 E. Warrenville Rd, Naperville, IL 60563