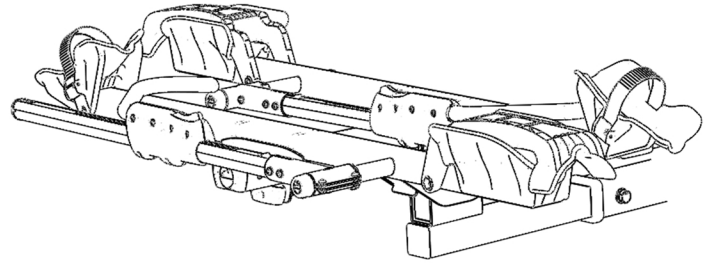




rockymounts™  
**MonoRail**



## Guidelines

Max weight per bicycle: 60lbs (27kg) for 2 bike rack [120lbs (54kg) total]; 40lbs (18kg) with add-on [120lbs (54kg) total].  
 Wheel Size: compatible with 20-29" wheels.  
 Tire size: fits up to 5.0" tires.  
 Max wheel base: 48" (122cm).  
 Remove front fenders, racks, and panniers before use.  
 No kick bikes, recumbents, mopeds, scooters, pennyfarthings, or tandems.  
 2" MonoRail compatible with MonoRail Single Bike Add-On. 1-1/4" MonoRail not compatible with Single Bike Add-On.

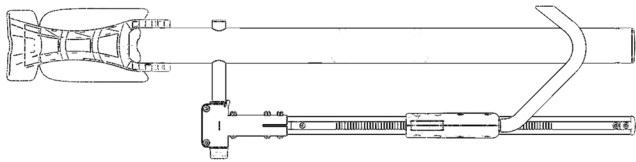
## Parts Included

A: Wheel Tray A  
 B: Wheel Tray B  
 C: Wheel Strap  
 D: Wheel Strap Extension  
 E: Wheel Cup

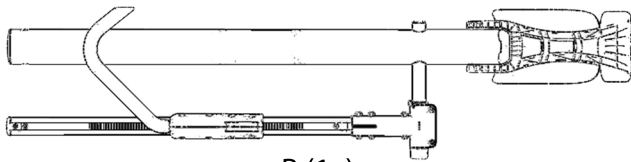
F: Lock Pod  
 G: Key  
 H: Lock Cable  
 I: Base: 2" or 1-1/4"  
 J: Hitch Pin

K: M8x90 BHCS Bolt  
 L: M8x16 BHCS Bolt  
 M: M12 Split Washer  
 N: M12 Flat Washer  
 O: M8 Flat Washer

P: M8 Split Washer  
 Q: 19mm Wrench  
 R: 6mm Allen Wrench



A (1x)



B (1x)



C (2x)



D (2x)



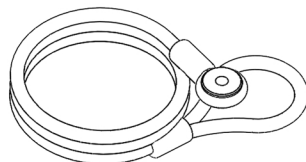
E (2x)



F (2x)

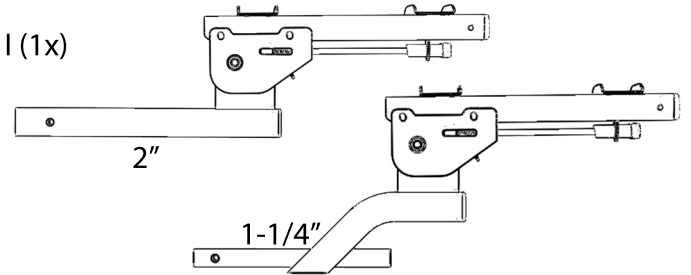


G (2x)



H (1x)

I (1x)



2"

1-1/4"



J (1x)



K (2x)



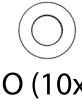
L (8x)



M (1x)



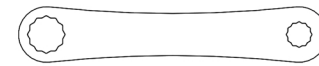
N (1x)



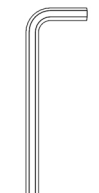
O (10x)



P (8x)



Q (1x)

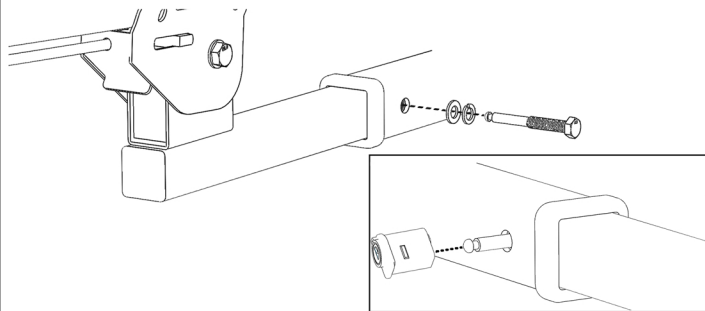


R (1x)

## Assembly Instructions

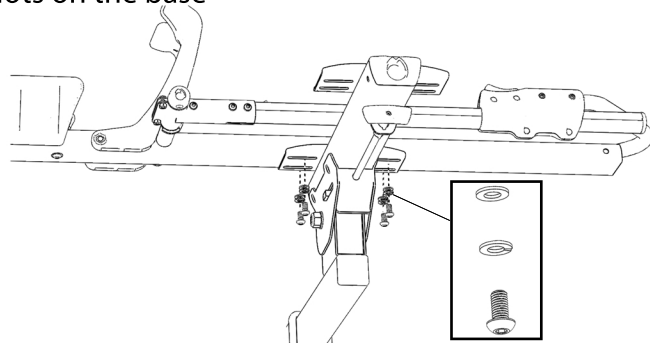
### 1 Install Hitch Pin

Insert hitch tube into vehicle hitch receiver. Install hitch pin with M12 split washer and M12 flat washer using 19mm wrench. Install lock pod



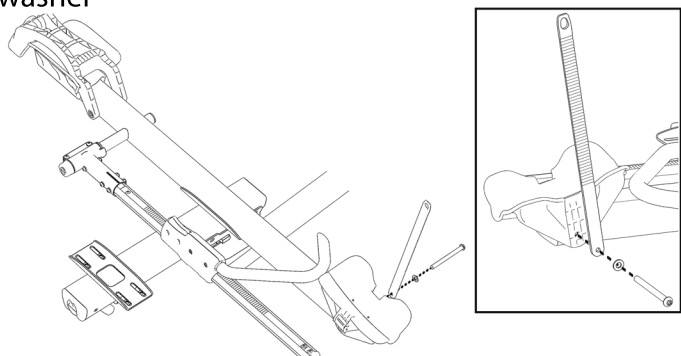
### 2 Install Wheel Tray A

Place wheel tray A on the base with load arm facing out. Install four M8x16 bolts with M8 washers through slots on the base



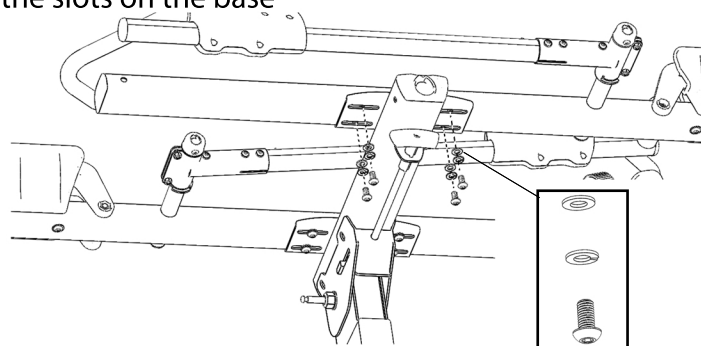
### 3 Install Wheel Cup A

Install wheel cup (buckle faces out) and wheel strap onto end of wheel tray with M8X90 bolt and M8 flat washer



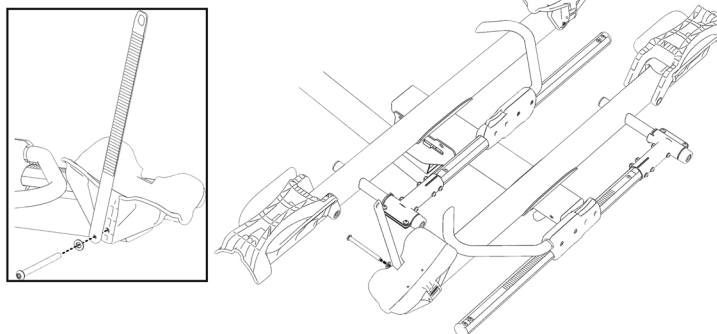
### 4 Install Wheel Tray B

Place wheel tray B on the base with load arm facing out. Install four M8x16 bolts with M8 washers through the slots on the base



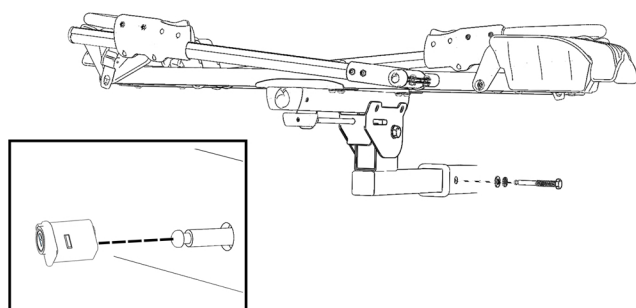
### 5 Install Wheel Cup B

Install wheel cup (buckle faces out) and wheel strap onto end of wheel tray with M8X90 bolt and M8 flat washer

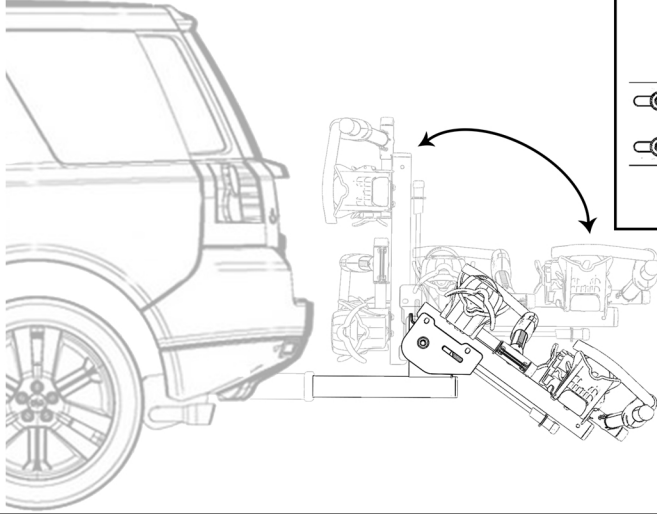


### 6 Removing Rack

Remove lock pod then remove hitch pin



## 7 Rack Positions



Gently release handle to raise and lower rack into stow, use and tilt positions

Rack can be folded into stow position when not in use and tilted down for rear vehicle access

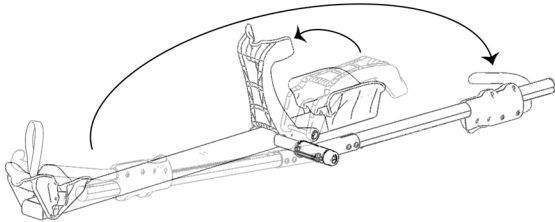
Load arms should be stowed flat when rack is not in use

Release handle should be fully seated before each use

## Loading Bikes

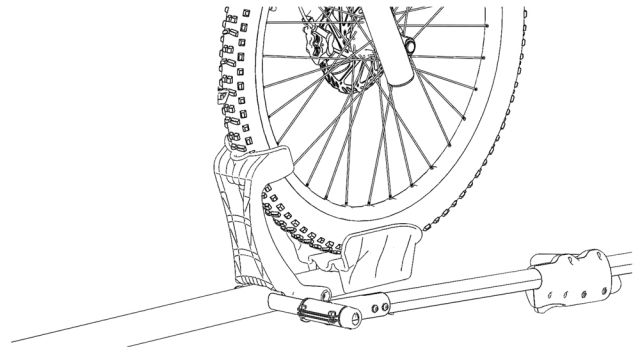
### 1 Open Load Arm

Rotate load arm 180 degrees from stowed position and fully extend hook. Fold back stop to fully open position. Tuck wheel strap



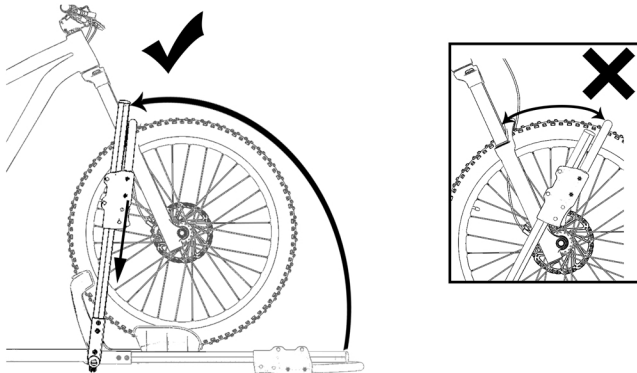
### 2 Place Bike on Rack

Load heaviest bike on tray nearest to vehicle. **FRONT WHEEL SHOULD BE SECURE AGAINST BACK STOP**



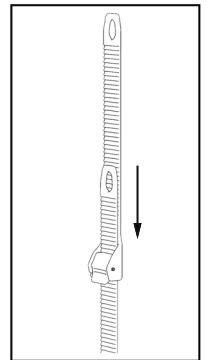
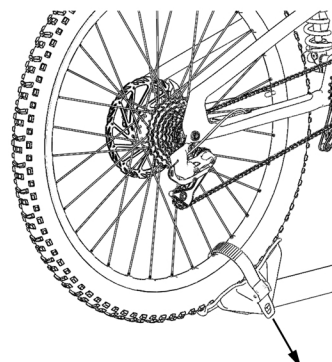
### 3 Secure Front Wheel

Rotate load arm over front wheel and tighten hook with **MINIMUM GAP** between fork



### 4 Secure Rear Wheel

Feed wheel strap through rear wheel and into buckle. Pull tight

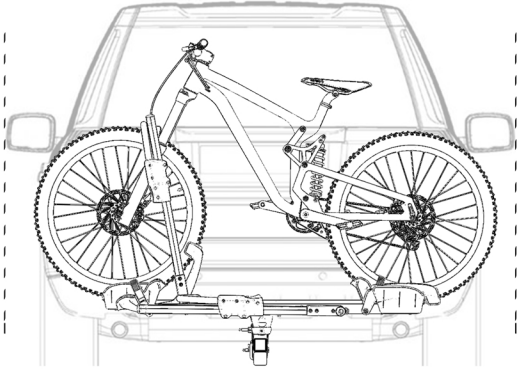


For fat bike, use wheel strap extension

## Loading Bikes

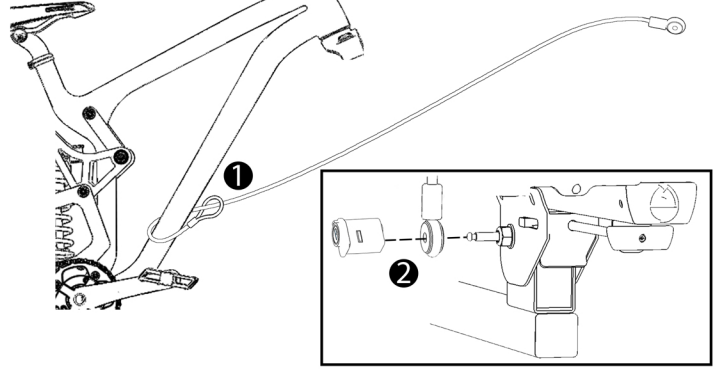
### 1 Check Mirrors

Be sure loaded bikes do not extend past width of side view mirrors



### 2 Locking Bike

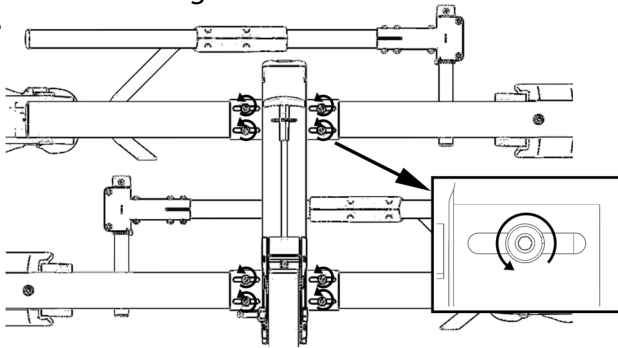
Loop cable around outer bike frame, feed through frame(s) and lock cable to lock boss



## Rack Adjustability

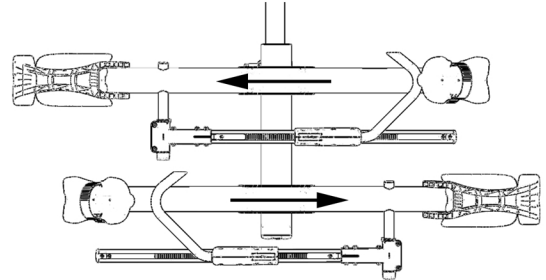
### 3 Loosen bolts

Trays can be adjusted side-to-side to avoid handlebar interference. Remove bikes and fold rack into use position. Loosen eight M8 bolts on the bottom of base



### 4 Adjust Trays

Loosen eight M8 bolts. Slide trays for amount of adjustment needed. Re-tighten eight M8 bolts



## Warnings

- Remove Baby Seats, Panniers, U-Locks, or items that could detach from the bicycle.
- Do not use bicycle covers, bicycle bras, or bikes equipped with rear disc wheel.
- Not intended for off road use. Not intended for use on trailers or towed vehicles.
- Locks are only deterrents to thieves, RockyMounts™, Inc. cannot be held liable for stolen bicycles.
- Remove rack before entering a car wash.
- Check all fastenings (nuts, bolts and straps) before each use.
- Once a year, remove rack from car. Clean and inspect for damage.

## Lifetime Warranty

Thank you for purchasing a RockyMounts™ product. We take pride in providing a great customer experience and manufacturing products that enable our customers to get their gear to their next colorful adventure.

As of January 1, 2014, RockyMounts™ products are covered for life to the original purchaser when used in accordance with the instruction manuals' assembly, installation and use guidelines.

If you feel something broke before it's time, please email us at [ride@rockymounts.com](mailto:ride@rockymounts.com) or call us at 800.873.1871. For the most efficient service, email a digital photo (we need this photo to verify the problem) of the product in question, a brief description of the situation, and your purchase receipt. Our techs will respond within one business day. Most of the time we'll replace the part in question, but we may ask for more details.

RockyMounts™, Inc. warranty only covers RockyMounts™, Inc. products. It does not cover theft, or damage to vehicles and/or equipment. All products purchased prior to Jan 1, 2014 are covered by a one-year warranty; see your product manual for details.