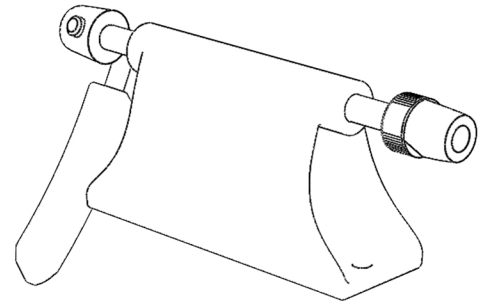




rockymounts™
LoBall

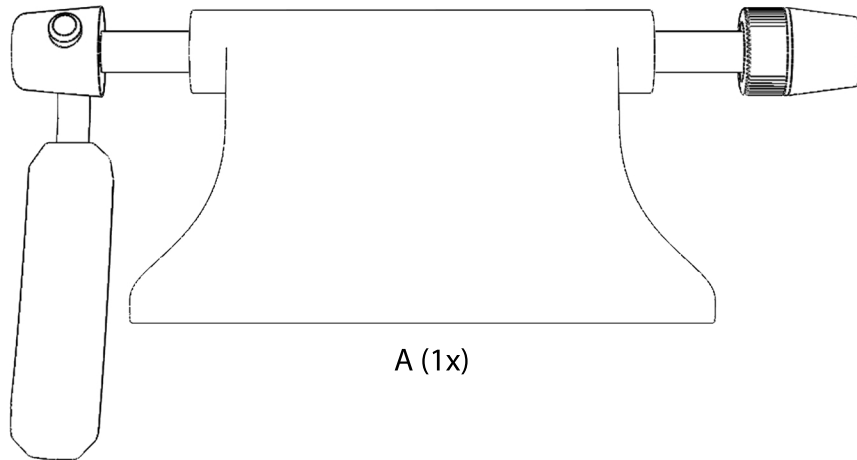


Guidelines

- This carrier is intended for bolt down applications.
- Bicycles must be equipped with quick release front wheel.
- Bicycle weight limit is 35lbs with this carrier.
- Forks equipped with carbon fiber dropouts or forks without safety tabs are not covered under this warranty.
- After loading bike, shake fork side to side to ensure assembly is tight and secure.

Parts Included

A: Body with 9mm QR skewer

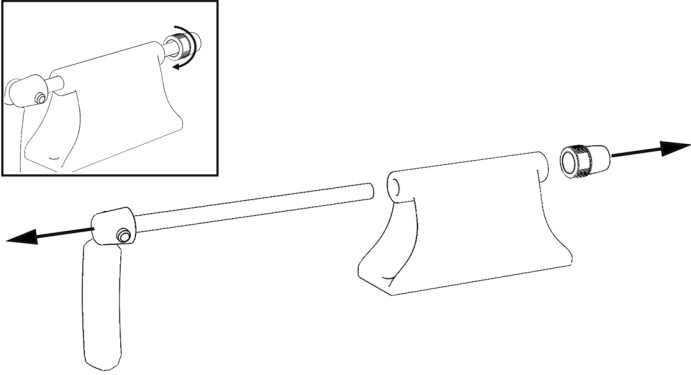


Note: mounting hardware not included due to wide variety of applications. For track mounting, use RockyMounts™ track hardware kit (part number: 1098)

Installation Instructions

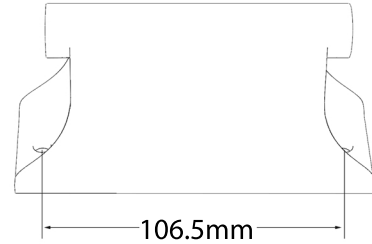
1 Remove Skewer

Unscrew nut and remove 9mm QR skewer



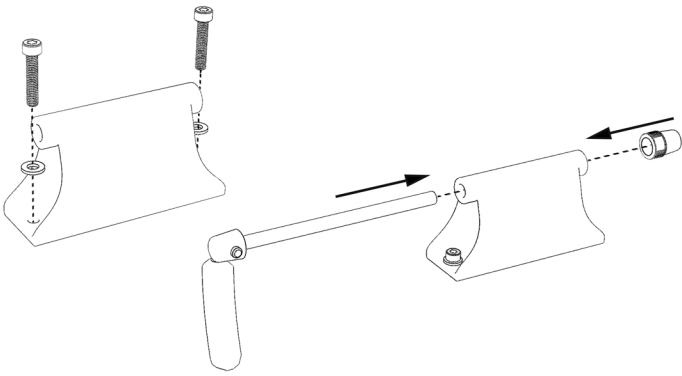
2 Prepare Mounting Surface

Use body as template, mark locations and drill holes on mounting surface. (Holes fit M6 or 1/4" bolts and are spaced 106.5mm)



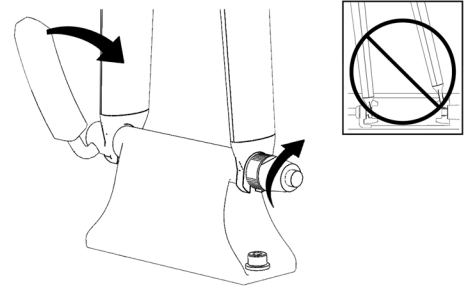
3 Install Bike Mount

Mount body onto surface using appropriate fasteners and washers. Reinstall QR skewer



4 Loading A Bike

Remove front wheel from bike. Load fork onto QR skewer. With lever open, turn nut until finger tight. Close lever. (Lever must close with tension. If too tight or too loose, open lever and re-adjust nut until lever closes with tension.) Shake fork side to side to ensure bike is securely mounted



Warnings

- Check all fastenings (nuts, bolts, straps, and skewer) before each use.
- QR skewer is not an on/off switch. Lever must close with enough tension to hold bike. Shake bike side to side to ensure proper mounting. Fork should be properly seated and not move. If at all unsure, do not use.
- Remove Baby Seats, Panniers, U-Locks, or items that could detach from the bicycle.
- Not intended for off road use.
- Not intended for use on trailers or towed vehicles.
- Remove bike before entering a car wash.
- Once a year, remove rack from car. Clean and inspect for damage.

Lifetime Warranty

- Thank you for purchasing a RockyMounts™ product. We take pride in providing a great customer experience and manufacturing products that enable our customers to get their gear to their next colorful adventure.
- As of January 1, 2014, RockyMounts™ products are covered for life to the original purchaser when used in accordance with the instruction manuals' assembly, installation and use guidelines.
- If you feel something broke before it's time, please email us at ride@rockymounts.com or call us at 800.873.1871. For the most efficient service, email a digital photo (we need this photo to verify the problem) of the product in question, a brief description of the situation, and your purchase receipt. Our techs will respond within one business day. Most of the time we'll replace the part in question, but we may ask for more details.
- RockyMounts™, Inc. warranty only covers RockyMounts™, Inc. products. It does not cover theft, or damage to vehicles and/or equipment. All products purchased prior to Jan 1, 2014 are covered by a one-year warranty; see your product manual for details.