



RedlineSM

TRAILER REPAIR PARTS

Brakes



Page 2-14

Running Gear



Page 15-20

Towing Accessories



Page 21-25

PRODUCT CATALOG

Electrical



Page 26-38

Hardware



Page 39-43

Jack/Couplers



Page 44-46

Featured Products



Product Pages

Brakes	2-14
Running Gear	15-20
Towing Accessories	21-25
Electrical	26-38
Hardware	39-42
Jacks, Couplers & Fenders	43-46
Technical Info & Indexes	47-48

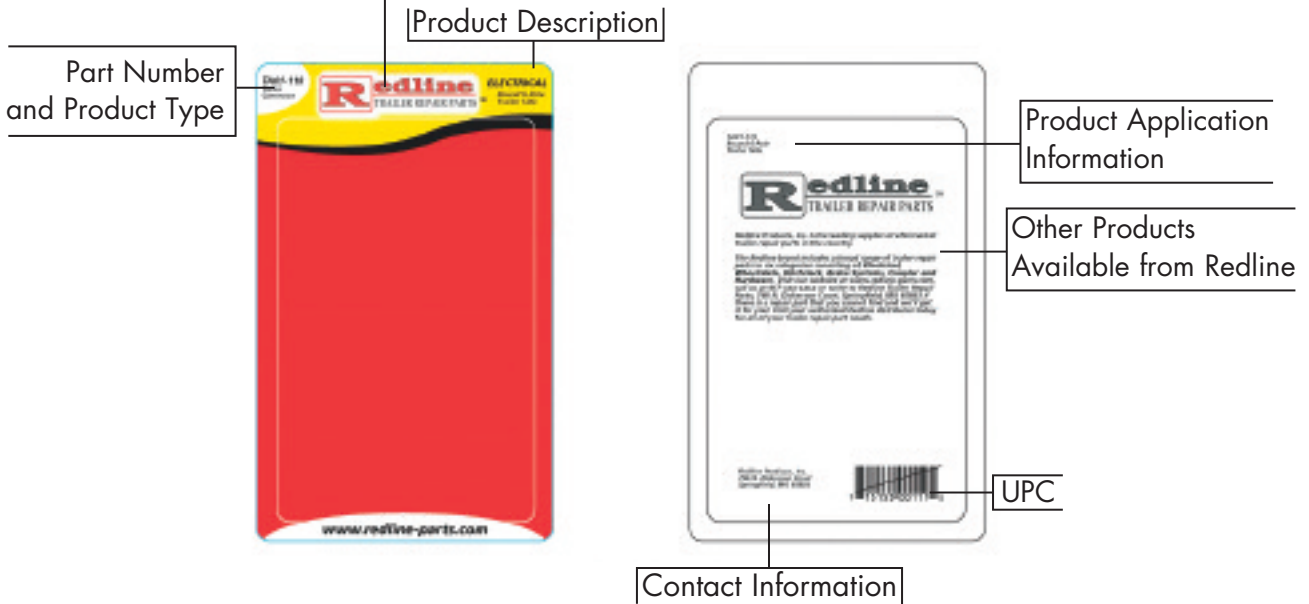
The Redline Story

Redline Products, LLC may seem like a new company, but we're far from it! In fact, the Redline brand was created in 1989 by Redneck Trailer Supplies as a captive point-of-purchase packaging operation and was located within their facility. The Redline brand grew steadily over the following years to become one of the most recognized packaged trailer parts brands in the trailer parts aftermarket. With over 500 packaged trailer parts, Redline has one of the broadest trailer repair parts selections in the business. And, with our strategic alliance with the largest trailer parts distributor in the country, we have fast, easy access to just about any trailer part you need. If we don't have it, we can get it, fast.

Today, Redline Products, LLC is located in a 20,000 sq. ft. facility with state-of-the-art packaging tools, a lean management staff, a manufacturing ERP system, and a warehouse to stock fast moving products. We have upgraded our packaging graphics and methods to help customers locate and purchase the exact part they need. The color-coded bars located at the top of each package guide the customer quickly to the right product category. The product description and application information on the front and back of the package helps to target the specific part that will do the job. We believe in making the right trailer repair part easy to find.

At Redline Products, we understand that the purpose of a package is to help consumers make the right choices as they make product purchases. We know that neither the consumer nor the store manager likes to buy or sell a product only to find out that it's not the right item when they get it home. It's doubly important to help consumers make the right choice when they have just driven several miles.

We have developed a packaging and product identification system to help consumers make better product choices before they get the product home. Our new color coded packaging system was designed to help consumers make the right product purchase the first time by guiding them, step by step, to the right product for the right application. First, we guide them to the product group by separating them by color code. Second, we guide them to the major product category and corresponding part number in the upper left corner of the package. Finally, we further identify the product or application in the upper right corner of the package. In addition, we print other pertinent information about the product, if necessary, on the back of the package along with the UPC number.



In addition, we have designed the product package so the consumer can view the contents clearly by using clear heat sealed preformed blisters or clear clamshells. In those cases where consumers are more likely to need to open the package and compare the new product with the old to make sure it's the same, we've used re-closable clamshells to make the job easier. Clamshells also help to make the display look better by eliminating ripped and torn packages from being placed back on the peg hook.



Redline has an extensive line of brake parts. We offer complete electric brake assemblies; as well as repair and maintenance parts for electric, hydraulic (drum and disc applications), and air brakes. Visit page 47 for a detailed breakdown of hydraulic and electric brake assemblies.



Brake Parts Section Index

Product	Page	Product	Page
Disc Brake Components	3	Actuating Arm Kits	9
Electric Brake Assemblies	3	Brake Adjusters	10
Shoe & Lining Sets		Brake Adjuster Springs	10
Electric Brakes	4-5	Brake Adjuster Plugs	11
Hydraulic Brakes	6	Brake Adjuster Cables	11
Air Brakes	7	Brake Adjuster Kits	11
Air Brake Repair Parts	7	Electric Brake Magnets	12
Brake Shoe Hold Down Springs	7	Wheel Cylinders	13
Brake Shoe Return Springs	8	Wheel Cylinder Rebuild Kits	13
Brake Shoe Centering Springs	8	Dust Shields	13
Actuating Arms	9	Hydraulic Brake Service Parts	14

Hydraulic Disc Brakes

Redline offers repair and maintenance parts for 10K-12K Dexter and Hayes disc brakes. Disc brakes are becoming more and more common on trailers today, so make sure to have these in stock.

Brake Pads

- BP04-395 Disc Brake Pad, Fits Dexter 10K & 12K Brakes (1 Wheel)
- BP04-400 Disc Brake Pad, Fits Hayes 10K & 12K Brakes (1 Wheel)
- BP18-090 Disc Brake Pad Retainer, Fits Hayes 10K & 12K



BP04-395

Brake Calipers

- BP18-045 Disc Brake Caliper, Fits Dexter 10K & 12K Disc Brake
- BP18-050 Disc Brake Caliper, Fits 10K & 12 Hayes LH
- BP18-060 Disc Brake Caliper, Fits 10K & 12 Hayes RH

Caliper Rebuild Kits

- BP18-075 Caliper Rebuild Kit, Fits Dexter 10-12K Disc Brake
- BP18-080 Caliper Rebuild Kit, Fits Hayes 10-12K Disc Brake

Caliper Piston

- BP18-065 Disc Brake Caliper Piston, Fits Dexter 10K & 12K



BP18-060

Caliper Bolts

- BP18-105 Caliper Retaining Bolts, Fits Dexter 10-12K, 5/8" x 5" (1 Wheel)

Anti-Rattle Spring

- BP18-115 Anti-Rattle Springs, Fits Dexter 10-12K Disc Brakes (1 Wheel)

Electric Brake Assemblies

If major repairs are needed, it is often less expensive to replace the complete brake assembly. These brake assemblies are also a great upgrade for any trailer without brakes.

- EB01-100 Electric Brake, w/Hardware 10" x 2.25" LH 3.5K/Pair
- EB01-105 Electric Brake, w/Hardware 10" x 2.25" RH 3.5K/Pair
- EB01-120 Electric Brake, w/Hardware 12" x 2" LH 6K/Pair
- EB01-125 Electric Brake, w/Hardware 12" x 2" RH 6K/Pair



EB01-100

EB01-125

Shoe & Lining Sets - Electric Brakes



Redline offers an extensive line of replacement shoe and lining sets for 7" to 12.25" electric brakes. From light duty to heavy duty applications, Redline has you covered.

7"

BP04-040 Shoe & Lining, 7" x 1.25" Fits Dexter Electric (1 Wheel)



BP04-065

10"

BP04-065 Shoe & Lining, 10" x 1.50" Fits Dexter Electric (1 Wheel)

BP04-090 Shoe & Lining, 10" x 2.25" Electric, Fits Dexter, Fayette, Forman (1 Wheel)

BP04-100 Shoe & Lining, 10" x 2.25" Fits Hayes & AL-KO Electric (1 Wheel)



BP04-100

12"

BP04-150 Shoe & Lining, 12" x 2" Electric, Fits Dexter, Fayette, Forman (1 Wheel)

BP04-180 Shoe & Lining, 12" x 2" Fits Dexter 7K Electric (1 Wheel)

BP04-185 Shoe & Lining, 12" x 2" Fits Hayes & AL-KO 6K-7K (1 Wheel)

BP04-220 Shoe & Lining, 12" x 3.25" Fits Hayes Electric (1 Wheel)



BP04-180

12.25" x 2.50"

- BP04-235 Shoe & Lining, 12.25" x 2.50" Fits Dexter 7.2K Electric (1 Wheel)
- BP04-236 Shoe & Lining, Fits Dexter 12.25" x 2.50" Cast Backing Plate, Electric LH (1 Wheel)
- BP04-238 Shoe & Lining, Fits Dexter 12.25" x 2.50" Cast Backing Plate, Electric RH (1 Wheel)



BP04-235

12.25" x 3.25" to 3.75"

- BP04-240 Shoe & Lining, Fits Dexter 12.25" x 3.375" Electric LH (1 Wheel)
- BP04-250 Shoe & Lining, Fits Dexter 12.25" x 3.375" Electric RH (1 Wheel)
- BP04-245 Shoe & Lining, Fits Dexter, 12.25" x 3.375" Cast Backing Plate, Electric LH (1 Wheel)
- BP04-255 Shoe & Lining, Fits Dexter, 12.25" x 3.375" Cast Backing Plate, Electric RH (1 Wheel)
- BP04-280 Shoe & Lining, Fits Warner Electric 12.25" x 3.50" (1 Wheel)
- BP04-290 Shoe & Lining, Fits Hayes 12.25" x 3.50", 9K-12K Electric (1 Wheel)



BP04-280

12.25" x 4.00"

- BP04-320 Shoe & Lining, 12.25" x 4" Fits Dexter Electric LH (1 Wheel)
- BP04-330 Shoe & Lining, 12.25" x 4" Fits Dexter Electric RH (1 Wheel)
- BP04-325 Shoe & Lining, 12.25" x 4" Cast Backing Plate, Fits Dexter Electric LH (1 Wheel)
- BP04-335 Shoe & Lining, 12.25" x 4" Cast Backing Plate, Fits Dexter Electric RH (1 Wheel)



BP04-325

12.25" x 5.00"

- BP04-360 Shoe & Lining, 12.25" x 5" Fits Dexter Electric LH (1 Wheel)
- BP04-370 Shoe & Lining, 12.25" x 5" Fits Dexter Electric RH (1 Wheel)
- BP04-365 Shoe & Lining, 12.25" x 5" Cast Backing Plate, Fits Dexter Electric LH (1 Wheel)
- BP04-375 Shoe & Lining, 12.25" x 5" Cast Backing Plate, Fits Dexter Electric RH (1 Wheel)



BP04-365

Shoe & Lining Sets - Hydraulic Brakes



Redline offers an extensive line of replacement shoe and lining sets for 7" to 12.25" hydraulic brakes. From light duty to heavy duty applications, Redline has you covered.

7"

- BP04-050 Shoe & Lining, 7" x 1.75" Fits Dexter Hydraulic (1 Wheel)
- BP04-060 Shoe & Lining, 7" x 1.75" Fits Atwood Hydraulic (1 Wheel)



BP04-050

10"

- BP04-120 Shoe & Lining, 10" x 2.25" Fits Hydraulic Atwood, Bendix, Dexter, Dico (1 Wheel)
- BP04-123 Shoe & Lining, 10" x 2.25" Fits Dexter Free Backing (1 Wheel)
- BP04-126 Shoe & Lining, 10" x 2.25" Fits Demco-Dico Free Backing (1 Wheel)



BP04-120

12"

- BP04-160 Shoe & Lining, 12" x 2" Fits Dexter, Bendix, Dico Hydraulic (1 Wheel)
- BP04-164 Shoe & Lining, 12" x 2" Fits Dexter Free Backing LH (1 Wheel)
- BP04-162 Shoe & Lining, 12" x 2" Fits Dexter Free Backing RH (1 Wheel)
- BP04-168 Shoe & Lining, 12" x 2" Fits Demco-Dico Free Backing (1 Wheel)
- BP04-230 Shoe & Lining, 12" x 3.25" Fits Hayes Hydraulic (1 Wheel)



BP04-160

BP04-168

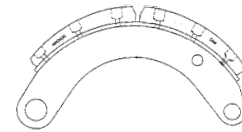
12.25"

- BP04-260 Shoe & Lining, 12.25" x 3.375" Fits Dexter Hydraulic LH (1 Wheel)
- BP04-270 Shoe & Lining, 12.25" x 3.375" Fits Dexter Hydraulic RH (1 Wheel)
- BP04-340 Shoe & Lining, 12.25" x 4" Fits Dexter Hydraulic LH (1 Wheel)
- BP04-350 Shoe & Lining, 12.25" x 4" Fits Dexter Hydraulic RH (1 Wheel)
- BP04-380 Shoe & Lining, 12.25" x 5" Fits Dexter Hydraulic LH (1 Wheel)
- BP04-390 Shoe & Lining, 12.25" x 5" Fits Dexter Hydraulic RH (1 Wheel)

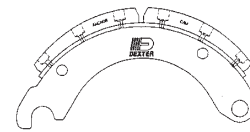
Shoe & Lining Sets - Air Brakes

Redline offers replacement shoe and lining sets for 12.25" x 4" to 12.25" x 7.5" Dexter air brakes. We have both "old style" and the new "PQ style" for your application.

- BP22-010 Shoe & Lining, 12.25" x 4" Fits Dexter Airbrake
Old Style, 2 per Wheel
- BP22-015 Shoe & Lining, 12.25" x 4" Fits Dexter Airbrake
PQ-Style, 2 per Wheel
- BP22-020 Shoe & Lining, 12.25" x 5" Fits Dexter Airbrake
Old Style, 2 per Wheel
- BP22-025 Shoe & Lining, 12.25" x 5" Fits Dexter Airbrake
PQ-Style, 2 per Wheel
- BP22-035 Shoe & Lining, 12.25" x 7.5" Fits Dexter Airbrake
PQ-Style, 2 per Wheel



Old Style



PQ Style

Air Brake Repair Parts

Redline also has repair kits for both "old style" and "PQ style" Dexter air brakes shoe and lining sets.

- BP20-120 Brake Shoe Repair Kit, Fits Old Style Dexter 12.25" Air Brakes
- BP20-135 Brake Shoe Repair Kit, Fits PQ-Style Dexter 12.25" Air Brakes
- BP20-090 Camshaft Repair Kit, 12.25" Fits Dexter; Washers, Bushings, Seals

Brake Shoe Hold Down Springs

- BP06-120 Shoe Hold Down, 10" x 2.25" All Electric/Hydraulic (1 Wheel)
- BP06-090 Shoe Hold Down, 12" Electric/Hydraulic, Fits
Dexter, Dico, Hayes, Bendix (1 Wheel)
- BP06-195 Shoe Hold Down Kit, Fits Hayes 12" x 3.25",
12.25" x 3.50" Electric (1 Wheel)
- BP06-235 Shoe Hold Down Kit, Fits Dexter 12.25" Hydraulic (1 Wheel)
- BP06-240 Shoe Hold Down Kit, Fits Dexter 12.25" Electric (1 Wheel)



Brake Shoe Return Springs

Redline has shoe return springs for both electric and hydraulic brakes. Packaged both for easy display and application selection.

- BP07-110 Shoe Return Spring, 10" x 2.25", Fits Hayes, AL-KO w/ 1" Return Spring
- BP07-105 Shoe Return Spring, 10" & 12" Fits Dexter, Hayes Electric; Atwood, Dico Hydraulic
- BP07-121 Shoe Return Spring Set, Fits Dexter Free Backing 12" x 2"
- BP07-150 Shoe Return Spring, 12" x 2" Electric Fits Dexter, Hayes, AL-KO w/ 1" Single Spring
- BP07-175 Shoe Return Spring, 12" x 2" Hydraulic Fits Dexter, Dico, Bendix; 12.25" Warner
- BP07-190 Shoe Return Spring, Fits Dexter 12.25" Electric Cast Backing Plate
- BP07-225 Shoe Return Spring, Fits Dexter Electric 12.25" (1 Ea. Green & Black)
- BP07-240 Shoe Return Spring, Fits Dexter Hydraulic 12.25"



Brake Shoe Centering Springs

- BP07-185 Shoe Centering Spring, Fits Dexter 12.25" x 2.50" Cast Backing Plate
- BP07-195 Shoe Centering Spring, Fits Dexter 12.25" 9K-15K Electric Cast Backing Plate

BP07-185



Actuating Arms - Electric Brakes

Redline offers replacement actuating arms for applications ranging from 10" to 12.25". Actuating arm kits are also available, found at the bottom of this page.

10"

BP02-170 Actuating Arm, 10" x 2.25" Fits Dexter LH

BP02-180 Actuating Arm, 10" x 2.25" Fits Dexter RH



12"

BP02-230 Actuating Arm, 12" x 2" Fits Dexter LH

BP02-240 Actuating Arm, 12" x 2" Fits Dexter RH

BP02-224 Actuating Arm, 12" x 2" Fits Hayes LH After 1988 & AL-KO

BP02-228 Actuating Arm, 12" x 2" Fits Hayes RH After 1988 & AL-KO

BP02-305 Actuating Arm, 12" x 3.25"; 12" x 3.50" Fits Hayes 8K-12K LH

BP02-303 Actuating Arm, 12" x 3.25"; 12" x 3.50" Fits Hayes 8K-12K RH



12.25"

BP02-340 Actuating Arm, 12.25" x 3.5" Fits Warner LH

BP02-330 Actuating Arm, 12.25" x 3.5" Fits Warner RH

BP02-315 Actuating Arm, Fits 12.25" x 3.375", 4" Dexter LH,
Stamped Backing Plate

BP02-325 Actuating Arm, Fits 12.25" x 3.375", 4" Dexter RH,
Stamped Backing Plate



Actuating Arm Kits - Electric Brakes

BP02-327 Actuating Arm Kit, Cast Backing Plate, Fits 12.25" x 3.375", 4" Dexter

BP02-328 Actuating Arm Kit, Cast Backing Plate, Fits 12.25" x 3.375", 4" Dexter



Brake Adjusters & Components

To keep trailer brakes performing, make sure to keep the adjuster system working well. Replacement of these parts is much less expensive than damaged brakes.

Adjusters - Electric

- BP10-040 Adjuster, 7" x 1.25" Fits Dexter, Fayette Electric
- BP10-060 Adjuster, 10" & 12" Fits Dexter, Hayes Electric
- BP10-080 Adjuster, 12.25" x 3.5" Fits Warner Electric
- BP10-110 Adjuster, 12" x 3.25", 12.25" x 3.5" Fits Hayes Electric RH
- BP10-120 Adjuster, 12" x 3.25", 12.25" x 3.5" Fits Hayes Electric LH



BP10-045

Adjusters - Hydraulic

- BP10-045 Adjuster, 7" & 12" Fits Dexter Hydraulic Brakes
- BP10-060 Adjuster, 10" Fits Dexter, Dico Hydraulic
- BP10-080 Adjuster, 12" Fits Dexter, Dico, Bendix Hydraulic

Adjuster Springs

- BP08-080 Adjuster Spring, 10" Fits Dexter, Bendix, Dico, Demco Hydraulic
- BP08-070 Adjuster Spring, 10" & 12" Fits Dexter, AL-KO, Hayes, Fayette, Foreman Electric
- BP08-120 Adjuster Spring, 12" x 2" Fits Dexter Hydraulic, Dico, Bendix; 12.25" Warner
- BP08-180 Adjuster Spring, Fits Hayes Electric 12" x 3.25"; 12.25" x 3.5"
- BP08-150 Adjuster Spring, Fits Dexter 12.25" Stamped Electric & Hydraulic
- BP08-155 Adjuster Spring, Fits Dexter Electric 8K-15K 12.25" with/Cast Backing Plate



BP08-150

Adjuster Plug

BP10-220 Adjuster Plug, Most 10" & 12" Electric/Hydraulic Brakes (4)



BP10-220

Adjuster & Lever

BP10-136 Adjuster & Lever, Fits Dexter Electric 8K-15K 12.25" w/Cast Backing Plate LH

BP10-146 Adjuster & Lever, Fits Dexter Electric 8K-15K 12.25" w/Cast Backing Plate RH



BP10-136

Adjuster Lever & Spring

BP10-135 Adjuster Lever & Spring, 12.25" Fits Dexter Electric/Hydraulic; Bendix Hydraulic LH

BP10-145 Adjuster Lever & Spring, 12.25" Fits Dexter Electric/Hydraulic; Bendix Hydraulic RH

Adjuster Cable

BP13-022 Adjuster Cable, Fits Dexter 12.25" Electric w/Cast Backing Plate, 10" Long

BP13-020 Adjuster Cable, Fits Dexter 12.25" Electric, 10.5" Long



BP13-022

Adjuster Kits, FSA Brakes

BP10-150 Adjuster Kit, FSA, 12.25" Fits Dexter Hydraulic LH

BP10-160 Adjuster Kit, FSA, 12.25" Fits Dexter Hydraulic RH

Electric Brake Magnets

The magnet is the heart of the electric brake system. Redline offers a large selection, to fit most any application from 7" to 12.25".

7"

BP01-068 Magnet, Fits 7" Dexter After 04/90; 10" x 1.5" Pre-1988



BP01-068

10"

BP01-064 Magnet, Fits 10" x 1.5" Dexter - New Style Oval Magnet

BP01-115 Magnet, Fits 10" x 2.25" Genuine Dexter w/Wire Sleeve

BP01-110 Magnet, Fits 10" x 2.25" Dexter After 1988 & AL-KO

BP01-090 Magnet, Fits 10" x 2.25" Hayes Round Before 1988

BP19-001 Magnet Clip, Fits Dexter 10" & 12" Oval Style (4)

PWC1012 Protective Magnet Wire Kit, 10", 12", 12.25" x 2.5"



BP01-115

12"

BP01-140 Magnet, 12" x 2" Fits Dexter Mobile Home

BP01-160 Magnet, 12" x 2" Fits Hayes Round Pre-1988

BP01-180 Magnet, 12" x 2" Fits Dexter 6K; 6-7K AL-KO/Hayes Non CL After 1988

BP01-185 Magnet, 12" x 2" 6K Genuine Dexter w/Wire Sleeve

BP01-225 Magnet, 12" x 2" 7K Genuine Dexter w/Wire Sleeve

BP01-285 Vent Magnet, 12" x 3.25" & 12.25" x 3.5" 8-12K Hayes

BP19-001 Magnet Clip, Dexter 10" & 12" Oval Style (4)

PWC1012 Protective Magnet Wire Kit, 10", 12", 12.25" x 2.5"



BP01-185

12.25"

BP01-265 Magnet, 12.25" Fits Dexter 7.2K & 8K Oval, White Wire

BP01-270 Magnet, 12.25" x 3.5" Fits Warner/Hayes 12K Before Mid-1989

BP01-301 Magnet, 12.25" x 3.375", 4" Fits Dexter 9-10K, Yellow Wire

BP01-306 Magnet, 12.25" x 5" Fits Dexter 12K Oval, Black Wire

BP01-311 Magnet, 12.25" x 5" Fits Dexter 15K Oval, Blue Wire

BP01-285 Vent Magnet, 12" x 3.25" & 12.25" x 3.5" 8-12K Hayes

BP19-005 Magnet Clip, Fits Dexter 12.25" (Qty 4)



BP01-301

Wheel Cylinders

Redline has wheel cylinders for hydraulic brakes to fit applications from 10" to 12". We also offer rebuild kits.

10"

- BP17-020 Wheel Cylinder, 10" & 12" Fits Dexter, Dico, Bendix, Atwood Single Servo RH
- BP17-030 Wheel Cylinder, 10" & 12" Fits Dexter, Dico, Bendix, Atwood Single Servo LH



Single-Servo Cylinder

12"

- BP17-020 Wheel Cylinder, 10" & 12" Fits Dexter, Dico, Bendix, Atwood Single Servo RH
- BP17-030 Wheel Cylinder, 10" & 12" Fits Dexter, Dico, Bendix, Atwood Single Servo LH
- BP17-040 Wheel Cylinder, 12" Fits Dexter, Dico, Bendix, Duo-Serve RH
- BP17-050 Wheel Cylinder, 12" Fits Dexter, Dico, Bendix, Duo-Serve LH



Duo-Servo Cylinder

Rebuild Kits

- BP16-040 Wheel Cylinder Rebuild Kit, Fits Dexter 8K-9K Pre-10/1989, 1" Bore
- BP16-050 Wheel Cylinder Rebuild Kit, Fits Dexter 9K After 1989, 10K-12K, 1.25" Bore

Dust Shields

Redline offers brake dust shields to fit popular Dexter and Hayes applications. Replacement of damaged dust shields is necessary to keep the brake and bearing systems performing.

- BP15-015 Dust Shield, Metal 1 Pc, Fits Dexter 4 Bolt 8K Electric/Hydraulic
- BP15-085 Dust Shield, Metal 1 Pc, Fits Dexter 7 Bolt 9K-10K GD Electric/Hydraulic
- BP15-150 Dust Shield, Metal 1 Pc, Fits Dexter 7 Bolt 10K Electric/Hydraulic
- BP15-190 Dust Shield, Metal 1 Pc, Fits Dexter 7 Bolt 12K-15K Electric/Hydraulic



BP15-085

Hydraulic Brake Service Components

Redline offers several service components for hydraulic brakes. From brake hoses to fittings, we have what you need.

Bleeder Screws

BP18-016 Bleeder Screw, Fits Dexter 10K-12K Disc Brake (Qty 4)

Hydraulic Hose & Line

- 80910 Hydraulic Line Kit, Torflex Axle, 3/16" Flex Hose (1)
- 80910-T Hydraulic Line Kit, Torflex Axle, 3/16" Flex Hose & Line (1)
- 16196 Hydraulic Flex Hose, 3/8-24 M/F 18.5" Long
- 310797 Hydraulic Flex Hose, 3/8-24 M/F 20.5" Long
- 310798 Hydraulic Flex Hose, 7/16-24F x 7/16-20M 19.5" Long
- 309801 Steel Hose Bracket, For 310798 Hose (Qty 4)
- 309802 Clip For 309801 Bracket (Qty 4)
- 3057828 1/4" F x 3/16" M Hydraulic Line Adapter (Qty 4)
- 3057818 3/16" F x 1/4" M Hydraulic Line Adapter (Qty 4)
- 3087812 Axle Line Tee, 3/16" w/Bracket (Qty 2)
- 3087900 Hydraulic Service Tee, 3/16" (Qty 2)
- 307-3 Hydraulic Line Tee, 3/16" (Qty 2)
- 306-3 Hydraulic Line Union, 3/16" (Qty 4)
- 301-3 Hydraulic Line Nut, 3/16" (Qty 8)
- 301-4 Hydraulic Line Nut, 1/4" (Qty 8)



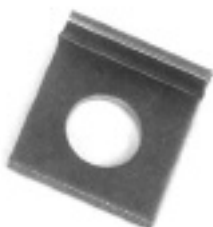
3087812



3087900



301-3



309801



310798



309802



Redline offers a complete line of the most popular trailer items available. From axles to U-bolts, Redline has what you need.



Running Gear Section Index

Product	Page	Product	Page
Axles	16	Rim Clamps	18
Hub Kits	16	Leaf Springs	19
Bearing Kits	16	Equalizers	19
Hub Seals	17	Shackle Straps	19
Grease Caps	17	Shackle Bolts & Bushings	19
Bearing Protector Kit	17	Equalizer Bolts	19
Oil Cap Kits, Gaskets & O-Rings	17	U-Bolt Plates	20
Spindle Nuts	18	U-Bolt Chart	
Wheel Bolts	18	Round	20
Drive-In Wheel Studs	18	Square	20
Wheel Nuts	18	Zinc	20
Wheel Lock Nuts	18	Hanger Kits	20

Axles

Item #	Capacity	# of Lug Studs	Bolt Pattern	Hub Face	Spring Center	Hub Type
AX01-100	2,000LB	5	4.5"	60"	48"	Idler
AX01-110	2,000LB	5	4.5"	72"	58"	Idler
AX01-120	3,500LB	5	4.5"	73"	58"	Idler
AX01-130	3,500LB	5	4.5"	85"	70"	Idler
AX01-140	3,500LB	5	4.5"	89"	74"	Idler
AX02-140	3,500LB	5	4.5"	89"	74"	Electric Brake



Hub Kits

Redline offers the most common replacement hubs, complete with bearings, seals, and lug nuts.

- 34822BX Hub Kit, Fits BT8 1" Spindle, with L44643 Bearings, 1,250 lb Capacity Each, 4 Bolt 4" Bolt Circle
- 34822545BX Hub Kit, Fits BT8 1" Spindle, with L44643 Bearings, 1,250 lb Capacity Each, 5 Bolt 4.5" Bolt Circle
- 84545BX Hub Kit, Fits #84 Spindle, with L44649 & L68149 Bearings, 1,750 lb Capacity Each, 5 Bolt 4.5" Bolt Circle
- 84550BX Hub Kit, Fits #84 Spindle, with L44649 & L68149 Bearings, 1,750 lb Capacity Each, 5 Bolt 5" Bolt Circle



84545BX

Bearing Kits

Our bearing kits come complete with bearings, seals, and cotter pins.

- BK1-100 Bearing Kit, 1" BT8 Spindle, L44643 Bearing (1Wheel)
- BK1-150 Bearing Kit, 1.125" BT8 Spindle, Double Lip Seal (1Wheel)
- BK2-100 Bearing Kit, #84 Spindle 1.063"-1.375", Double Lip Seal (1Wheel)
- BK3-100 Bearing Kit, 15123, 25580 Bearings, 10-36 Seal (1Wheel)
- BK3-110 Bearing Kit, 15123, 25580 Bearings, 10-10 Seal (1Wheel)
- BK3-200 Bearing Kit, 14125A, 25580 Bearings, 10-36 Seal (1Wheel)
- BK3-210 Bearing Kit, 14125A, 25580 Bearings, 10-10 Seal (1Wheel)
- BK3-300 Bearing Kit, LM67048, 25580 Bearings, 10-36 Seal (1Wheel)
- BK3-310 Bearing Kit, LM67048, 25580 Bearings, 10-10 Seal (1Wheel)
- RG07-040 Bearing Protector, 1.98", w/Covers (1 Pair)



BK1-100

Seals

Redline has the most common sizes to fit trailer applications.

- RG06-010 Grease Seal, 34823, 1.983" O.D., 1.249" I.D. (Qty 2)
- RG06-020 Double Lip Seal, 10-60, 1.987" O.D., 1.5" I.D. (Qty 2)
- RG06-050 Double Lip Seal, 10-19, 2.565" O.D., 1.719" I.D. (Qty 2)
- RG06-070 Double Lip Seal, 10-36, 3.376" O.D., 2.25" I.D. (Qty 2)
- RG06-090 Double Lip Seal, 10-10, 3.376" O.D., 2.125" I.D. (Qty 2)



Grease Caps

- RG04-020 Grease Cap, 1.986" O.D., Drive-In (Qty 2)
- RG04-040 Grease Cap, 1.986" O.D. EZ Lube, Drive-In w/Plug (Qty 2)
- RG04-060 Grease Cap, 2.44" O.D., Drive-In (Qty 2)
- RG04-080 Grease Cap, 2.44" O.D. EZ Lube, Drive-In w/Plug (Qty 2)
- RG04-100 Grease Cap, 2.72" O.D., Drive-In (Qty 2)
- RG04-120 Grease Cap, 2.72" O.D. EZ Lube, Drive-In w/Plug (Qty 2)
- RG04-010 Grease Cap Plug, For EZ Lube Grease Caps (Qty 2)
- RG07-040 Bearing Protector, 1.98", w/Covers (1 Pair)
- RG07-045 Covers, Bearing Protectors, 2" ID



RG04-060

Oil Cap Kits, Gaskets & O-Rings

- RG04-230 Oil Cap Kit, Dexter 6K-9K, 8 Bolt
- RG04-235 Oil Cap O-Ring, Dexter 6-9K, 8 Bolt (2)
- RG04-250 Oil Cap Kit, AL-KO/Hayes 10K-12K
- RG04-255 Oil Cap Gasket, 10-12K AL-KO/HAYES (2)
- RG04-260 Oil Cap Kit, 6K-7K Oil Bath Hub & Drum, 5-Spoke
- RG04-265 Oil Cap O-Ring, 6-7K Oilbath H/D (2)
- RG04-270 Oil Cap Kit, Dexter 9K (After 10/1989), 10K GD
- RG04-275 Oil Cap O-Ring, Dexter 9K (After 10/89) 10K (2)
- RG04-280 Oil Cap Kit, AL-KO/Hayes 8K (After 1/1997)
- RG04-285 Oil Cap Gasket, AL-KO/HAYES 8K (2)
- RG04-290 Oil Cap Kit, AL-KO/Hayes 8K (Before 1/1997)



Spindle Nuts

Redline offers 5 common spindle nut kits, sure to fit your trailer application.

- RG05-020 Spindle Nut, 1"-14, Tongue Washer & Cotter Pin (Qty 2)
- RG05-040 Spindle Nut, 1"-14, D-Washer & Cotter Pin (Qty 2)
- RG05-060 Spindle Nut, 1"-14, Tang Washer, Old Style EZ (Qty 2)
- RG05-080 Spindle Nut, 1"-14, Plain Washer & Cotter Pin (Qty 2)
- RG05-100 Spindle Nut, 1"-14, Retainer, Dexter Standard & EZ Lube (Qty 2)



Wheel Bolts

Redline offers a complete selection of wheel bolts to fit your light duty trailer and agricultural applications.

- RG02-020 Wheel Bolt, 1/2" Diameter, 13/16" Head, 1" Long, 60 Degree (Qty 4)
- RG02-040 Wheel Bolt, 1/2" Diameter, 13/16" Head, 7/8" Long, 90 Degree (Qty 4)
- RG02-060 Wheel Bolt, 9/16" Diameter, 7/8" Head, 1-1/8" Long, 90 Degree (Qty 4)



RG02-60

Wheel Studs

We have replacement drive-in wheel studs to replace worn or broken studs.

- RG03-020 Drive In Stud, 1/2" Diameter, 1-1/2" Long (Qty 4)
- RG03-040 Drive In Stud, 1/2" Diameter, 1-13/16" Long (Qty 4)
- RG03-060 Drive In Stud, 1/2" Diameter, 1-7/8" Long (Qty 4)
- RG03-080 Drive In Stud, 1/2" Diameter, 2-1/2" Long (Qty 4)
- RG03-120 Drive In Stud, 5/8" Diameter, 3-1/8" Long (Qty 4)
- RG03-140 Drive In Stud, 5/8" Diameter, 2-13/16" Long (Qty 4)



RG03-60

Wheel Nuts & Accessories

With several lug nut sizes to choose from, Redline has what you need. We also offer lug nut lock sets, and rim clamps for UTG & MH style wheel applications.

- RG01-060 Wheel Nut, 1/2" x 13/16" Cone, RH Thread, 60 Degree (Qty 5)
- RG01-150 Wheel Lock Nut, 1/2" Includes 2 Locks & 1 Key
- RG01-040 Wheel Nut, 9/16" x 7/8" Hex, RH Thread (Qty 5)
- RG01-080 Wheel Nut, 9/16" x 7/8" Cone, RH Thread, 60 Degree (Qty 4)
- RG01-100 Wheel Nut, 5/8" x 1-1/16" Cone, RH Thread, 90 Degree (Qty 4)
- RG01-120 Wheel Nut, 5/8" x 1-1/8" Flanged, RH Thread (Qty 4)
- RG01-020 Rim Clamp, Mobile Home & Utility 14.5" Rims (Qty 5)



RG01-060

Leaf Springs

- SP06-110 1000LB, 3LF, 20-3/8" Double Eye, 1-3/4" Wide
- SP06-115 1750LB, 4LF, 25-1/4" Double Eye, 1-3/4" Wide
- SP06-120 2400LB, 4LF, 25-1/4" Double Eye, 1-3/4" Wide
- SP06-130 750LB, 3LF, 23-1/8" Slipper, 1-3/4" Wide
- SP06-140 1750LB, 4LF, 27-3/8" Slipper, 1-3/4" Wide



Equalizers

- SP03-200 Equalizer, Cast, 8" Straight, 9/16" All 3 Holes (1)
- SP03-205 Equalizer, Cast, 7-3/4" Curved, 9/16" All 3 Holes (1)



Shackle Straps

Redline offers the most common sizes of shackle straps for your application. Shackle bolts and nylon bushings are found in the next section.

- SP03-020 Shackle Strap, 2-1/4" Hole Center, 1.25" Wide, 9/16" Diameter
- SP03-040 Shackle Strap, 2-5/8" Hole Center, 1.25" Wide, 9/16" Diameter
- SP03-060 Shackle Strap, 3-1/8" Hole Center, 1.25" Wide, 9/16" Diameter



Shackle Bolts & Bushings

- SP04-020 Shackle Bolt, 9/16" x 3" w/Nuts For 1.75" Spring (Qty 4)
- SP04-021 Shackle Bolt, 9/16" x 3" Wet, w/Nut & Zerk (Qty 4)
- SP04-040 Shackle Bolt, 9/16" x 3-1/2" w/Nuts For 2" Spring (Qty 4)
- SP05-080 Nylon Bushing, 2 PC, 9/16" ID, 1-5/16" OD, 2" Long (Qty 4)
- SP05-020 Nylon Bushing, 9/16" ID, 11/16" OD, 1-3/4" Long (Qty 8)
- SP05-040 Nylon Bushing, 9/16" ID, 11/16" OD, 2" Long (Qty 8)
- SP05-060 Nylon Bushing, 9/16" ID, 3/4" OD, 1 3/4" Long (Qty 6)



SP04-020

SP05-020

Equalizer Bolts

- SP04-051 Equalizer Bolt, 3/4" Wet, w/Nut, Zerk, Center Pin (Qty 2)
- SP04-060 Equalizer Bolt, 7/8" x 4-11/16", w/Nut & Cotter Pin (Qty 1)
- SP04-080 Equalizer Bolt, 7/8" x 4-11/16", w/Nut & Zerk, Pressed In (Qty 1)



U-Bolts Plates

- SP03-100 U-Bolt Plate, 1-3/4" Rnd Axle, 1-3/4" Wide Spring (2)
 SP03-105 U-Bolt Plate, 2-3/8" Rnd Axle, 1-3/4" Wide Spring (2)



U-Bolts

Redline offers both round and square application u-bolts, as well as zinc coated for harsh environmental conditions. U-Bolts are packaged in quantities of two (2) and come complete with hardware.

Round

Item #	Diameter	Width	Length
SP01-020	3/8"	1-3/4"	4-1/4"
SP01-040	1/2"	2-3/8"	5-1/2"
SP01-060	1/2"	3"	7"
SP01-080	9/16"	3"	7-1/4"
SP01-100	9/16"	3-1/2"	8"

Square

Item #	Diameter	Width	Length
SP01-120	1/2"	1-1/2"	5"
SP01-140	9/16"	1-3/4"	5"
SP01-160	9/16"	2"	5-3/4"

Square Zinc

Item #	Diameter	Width	Length
381344UB	3/8"	1-3/4"	4"
382144UB	3/8"	2-1/4"	4-1/4"
382385UB	3/8"	2-3/8"	5-1/4"
383384UB	3/8"	3-3/8"	4-1/4"
7162184UB	7/16"	2-1/8"	4"
7163183UB	7/16"	3-1/8"	3"
7163184UB	7/16"	3-1/8"	4"
7164183UB	7/16"	4-1/8"	3"
122185UB	1/2"	2-1/8"	5-1/4"



Hanger Kits

- APS3 Hanger Kit, Single Axle Double Eye, 1.75", Fits 2,000 - 7,000 lb. Axles
 APS5 Hanger Kit, Single Axle, Double Eye, 1.75" , 2,000 - 7,000 lb. Axles
 APT5 Hanger Kit, Tandem Axle Double Eye, 1.75", Fits 2,000 - 7,000 lb. Axles
 APS3SE Single Axle Hanger Kit, 1-3/4" Slipper Springs



Redline has you covered for all of your towing needs...from hitch balls to coupler locks to receiver covers.



Towing Accessories Section Index

Product	Page	Product	Page
Receiver Hitches	22-23	Receiver Locks	25
Ball Mounts	24	Coupler Locks	25
Hitch Balls	24	Wheel Lug Nut Lock	25
Hitch Ball Covers	24	Receiver Tube Covers	25
Receiver Hitch Pins	24		
Pintle Hooks & Accessories	25		

Receiver Hitches

Our receiver hitch offering is specifically built around late-model, high volume applications. Many of the receivers we offer are 1-piece, no drill installations. Our product comes completely boxed; including installation hardware and instructions.

Chevrolet/GMC

	Part #	Year	Application	Class	Weight Carrying	Weight Dist
Truck	RRH13332	06-99	SILVERADO, SIERRA, Z71 1500/2500	III	6	10
	RRH14332	06-99	SILVERADO, SIERRA, Z71 1500/2500	IV	10	12
	RRH13008	06-01	2500HD/3500 SERIES, 8' BED	III	6	10
	RRH14008	06-01	2500HD/3500 SERIES, 8' BED	IV	10	12
	RRH13028	06-73	CAB & CHASSIS W/34" FRAME	III	6	10
	RRH14082	06-73	CAB & CHASSIS W/34" FRAME	IV	10	12
	RRH13950	05-99	PICKUPS W/8' BED		5	N/A
	RRH13042	00-88	ALL FULL SIZE	III	6	10
	RRH14081	00-88	ALL FULL SIZE	IV	10	12
	RRH13042	98-92	4DR CREW CAB	III	6	10
	RRH14081	98-92	4DR CREW CAB	IV	10	12
	RRH13028	91-88	4DR CREW CAB	III	6	10
	RRH13028	87-62	ALL FULL SIZE EXCEPT 10" BUMPER	III	6	10
	RRH13950	87-62	ALL FULL SIZE EXCEPT 1TON & STEP SIDE	III	5	N/A
	RRH13254	06-04	COLORADO/CANYON	III	4	6
	RRH13021	04-83	S-10/S-15 PICKUP	III	4	6
	RRH13950	05-62	VARIOUS - SEE APPLICATION GUIDE	III	5	N/A
	Van	RRH13040	06-96	SAVANNAH/EXPRESS	III	6
RRH13016		96-78	FULL SIZE VAN	III	6	10
RRH13950		96-62	FULL SIZE VANS - EXCEPT 1TON	III	5	N/A
RRH13950		05-85	ASTRO, SAFARI	III	VEHICLE CAPACITY	
RRH13216		05-97	VENTURE/SILHOUETTE/TRANSPORT	III	4	6
RRH13035		05-85	ASTRO/SAFARI EXCEPT 16" SPARE	III	4	6
SUV	RRH13422	06-03	SUBRB/TAHOE/YUKNXL/DENALI/AVAL/ESCLD	III	6	10
	RRH13402	02-00	SUBURBAN/YUKON XL/TAHOE/DENALI	III	6	10
	RRH13029	00-92	SUBURBAN/YUKON/TAHOE/ESCALADE	III	6	10
	RRH13020	04-03	BLAZER/JIMMY S10/S15 2DR ONLY	III	5	6
	RRH13020	02-95	BLAZER/JIMMY/BRAVADA 2&4DR	III	5	6

Dodge/Chrysler

	Part #	Year	Application	Class	Weight Carrying	Weight Dist
Truck	RRH13325	06-03	RAM, BUILT NOV 2002 & AFTER	III	5	10
	RRH13310	02-67	FULL SIZE 6'8'8' BED, EXCEPT 2002 RAM 1500	III	6	10
	RRH14001	02-67	FULL SIZE 6'8'8' BED, EXCEPT 2002 RAM 1500	III	10	12
	RRH13228	06-05	DAKOTA 2/4WD 2/4DR	III	5	5.5
	RRH13280	04-97	DAKOTA 2/4WD 2/4DR	III	5	8
	RRH13280	96-87	DAKOTA 2/4WD 2/4DR	III	5	8
	RRH13950	04-67	VARIOUS - SEE APPLICATION GUIDE	III	5	N/A
Van	RRH12094	06-96	TOWN & COUNTRY, CARAVAN, EXC STOW&GO	II	3.5	N/A
	RRH12094	04-96	VOYAGER	II	3.5	N/A
	RRH13590	04-97	FULL SIZE VAN	III	5	8
SUV	RRH13297	06-04	DURANGO	III	5	6
	RRH13097	03-98	DURANGO	III	5	8
	RRH13950	93-78	RAMCHARGER	III	5	N/A

 **No Drill**

Import

	Part #	Year	Application	Class	Weight Carrying	Weight Dist
Truck	RRH13021	00-96	ISUZU HOMBRE	III	4	6
	RRH13019	06-94	MAZDA B2300, B3000, B4000	III	4	6
	RRH13228	06-05	MITSUBISHI RAIDER	III	5	5.5
	RRH13199	06-04	NISSAN TITAN	III	6	10
	RRH13841	04-00	NISSAN FRONTIER	III	5	6
	RRH13180	06-00	TOYOTA TUNDRA	III	6	10
	RRH13013	04-95	TOYOTA TACOMA	III	5	6
	RRH13950	94-87	PICK-UP, 8' BED ONLY EXCEPT T100	III	5	N/A
SUV	RRH13540	94-91	MAZDA NAVAJO	III	4	6

Ford/Mercury

	Part #	Year	Application	Class	Weight Carrying	Weight Dist
Truck	RRH13365	2006	F150, LINCOLN LT PICKUP	III	6	10
	RRH13352	05-04	F150	III	6	10
	RRH13355	06-99	F250/F350 SUPER DUTY	III	6	10
	RRH13355	03-97	F150/F250 LIGHT DUTY, INCLUDES SUPER CAB	III	6	10
	RRH14355	06-99	F250/F350 SUPER DUTY	IV	10	12
	RRH14355	03-97	F150/F250 LIGHT DUTY, INCLUDES SUPER CAB	IV	10	12
	RRH14082	06-73	CAB & CHASSIS W/34" FRAME	IV	10	12
	RRH13310	97-73	F-SERIES EXCEPT 73-79 F250 CREW CAB	III	6	10
	RRH14001	97-73	F-SERIES EXCEPT 73-79 F250 CREW CAB	IV	10	12
	RRH13028	79-73	F250 CREW CAB	III	6	10
	RRH14082	79-73	F250 CREW CAB	IV	10	12
	RRH13019	06-83	RANGER	III	4	6
	RRH13950	05-62	VARIOUS - SEE APPLICATION GUIDE	III	5	N/A
	RRH13039	06-75	FULL SIZE VAN	III	6	10
	Van	RRH13550	05-02	EXPLORER/MNTNEER, UNDER 1-1/4" RCVR	III	5
SUV	RRH13049	03-98	EXPEDITION/NAVIGATOR	III	6	10
	RRH13540	03-91	EXPLORER SPORT 2DR	III	4	6
	RRH13540	01-91	EXPLORER 4DR	III	4	6
	RRH13540	01-96	MOUNTAINEER	III	4	6
	RRH13310	97-78	BRONCO	III	6	10
	RRH14001	97-78	BRONCO	IV	10	12

Jeep

	Part #	Year	Application	Class	Weight Carrying	Weight Dist
SUV	RRH13251	06-05	GRAND CHEROKEE, INCL 17" SPARE	III	5	5.5
	RRH13051	04-99	GRAND CHEROKEE, INCL W/SKID SHIELD	III	5	6
	RRH13048	98-93	GRAND CHEROKEE, INCL W/SKID SHIELD	III	5	8
	RRH13084	01-84	CHEROKEE	III	5	6
	RRH13408	06-97	WRANGLER, INCL TUBE BUMPER	III	4	N/A
	RRH13244	06-01	LIBERTY	III	4	N/A

No Drill


Ball Mounts

1-1/4" Painted

- BM02-170 BALL MOUNT, 1-1/4" DROP, CLASS I/II
- BM02-270 BALL MOUNT, 3-1/4" DROP, CLASS I/II

Redline also offers standard 2" ball mounts, rated to 6,000 lbs.

2" Painted

- BM01-285 CLASS III BALL MOUNT, 2" DROP, 6K CAPACITY
- BM01-485 CLASS III BALL MOUNT, 4" DROP, 6K CAPACITY
- BM01-595 CLASS III BALL MOUNT, 6" DROP, 6K CAPACITY
- BM01-895 CLASS III BALL MOUNT, 8" DROP, 6K CAPACITY



BM01-285

** Up to 6,000 lb gross weight rating only when used with a 6,000 lb or greater capacity receiver hitch. Never exceed the capacity rating of the ball mount, receiver hitch, or tow vehicle.

2" Chrome

- BM03-285 BALL MOUNT, 2" DROP, 6K CHROME
- BM03-485 BALL MOUNT, 4" DROP, 6K CHROME

Hitch Ball Covers

- HBC-1B Hitch Ball Cover, Black 1-7/8" & 2"
- HBC-1R Hitch Ball Cover, Red 1-7/8" & 2"
- HBC-1S Hitch Ball Cover, Silver 1-7/8" & 2"



Hitch Balls

Redline offers the most common sizes of chrome hitch balls. We have 1-7/8" to 2-5/16"; 2,000 LB to 7,500 LB capacities.

- TA02-025 Hitch Ball, 1-7/8" x 3/4" x 2-1/2" Long, Chrome, 2K
- TA02-045 Hitch Ball, 1-7/8" x 1" x 2" Long, Chrome, 2K
- TA03-025 Hitch Ball, 2" x 3/4" x 2-1/2" Long, Chrome, 3.5K
- TA03-045 Hitch Ball, 2" x 1" x 2-1/2" Long, Chrome, 5K
- TA04-020 Hitch Ball, 2-5/16" x 1" x 2" Long, Chrome, 5K
- TA04-040 Hitch Ball, 2-5/16" x 1-1/4" x 2-1/4" Long, Chrome, 7.5K



Receiver Hitch Pins

- HP12 Receiver Hitch Pin, 1/2" x 3" w/Keeper
- HP583 Receiver Hitch Pin, 5/8" x 3" w/Keeper



HP12

Pintle Hooks & Accessories

- PH01-100 Pintle Adapter, 2" Receiver, 7.25" Plate
- PH01-200 Combo Pintle Hitch, 2" Ball, 10K/16K
- PH01-256 Combo Pintle Hitch, 2-5/16" Ball, 10K/16K
- PH02-200 Receiver Pintle Hitch, 2" Ball, 2" Receiver, 10K/10K
- PH02-256 Receiver Pintle Hitch, 2-5/16" Ball, 2" Receiver, 10K/10K



PH02-256

Locks & Accessories

Redline has the receiver and coupler locks to keep your trailer safe. We also offer lug nut locks to protect your trailer wheels/tires.

- 18-2058 Locking Hitch Pin, Fits 2" Receiver with 5/8" Hole
- DB-3 Locking Hitch Pin, Fits 2" Receiver with 5/8" Hole
- TM31 Lock Set, Keyed Alike Hitch Lock & Lock For Trigger Couplers
- TM32 Lock Set, Keyed Alike Hitch Lock & Lock For Yoke Type Couplers
- CL-3 Coupler Lock, 2" Atwood Coupler Latches
- RG01-150 Wheel Lock Nut, 1/2" Includes 2 Locks & 1 Key



Receiver Accessories

- TA06-100 Receiver Tube Cover, 2" Chrome
- TA06-125 Receiver Tube Cover, 2" Black





Redline offers the most common applications of trailer connectors, connector adapters, and tow vehicle T-connectors. See page 47 for 6-Way and 7-Way wiring diagrams.



ELECTRICAL

Electrical Section Index

Product	Page	Product	Page
NTSHA Federal Lighting Requirements	27-29	Multi-Tow Harness	35
Trailer Lighting & Accessories	30-32	Taillight Converters	35
Litemate T-Connectors		Trailer Connectors	36
Chevrolet/GMC	33	Wiring Accessories	35
Dodge/Chrysler	33	Adapters, Trailer Connector	36
Ford	34	Electric Brake Controls	37
Jeep	34	Brake Control Installation Kits	38
Import	34	Break-Away Kits & Accessories	38

FEDERAL LIGHTING REGULATIONS FOR TRAILERS

IMPORTANT NOTE: Every lamp, reflex reflector, and conspicuity treatment must be permanently attached in the location specified below and must comply with all applicable requirements prescribed for it by FMVSS/CMVSS 108. The face of any device on the front/rear and sides should be, respectively perpendicular and parallel to the vehicle's centerline, unless it is photo-metrically certified at installation angle. No part of the vehicle shall prevent any device from meeting its prescribed requirements unless an auxiliary device meeting all prescribed requirements is installed. **IN CANADA:** Manufacturers and importers of vehicles must have the proper certification test records demonstrating compliance of lighting components with all prescribed requirements.



BASIC EQUIPMENT REQUIRED ON ALL TRAILERS

DESCRIPTION				MANDATORY REQUIREMENTS			
Area	Equipment	SAE Lens Coding	Functional Purpose	Quantity	Color	Location	Height mm(in.) from the ground
1	Tail Lamps	(T)	Indicate vehicle's presence and width	Minimum 2	Red	On the rear - symmetrical as far apart as practicable	380-1830 (15-72)
	Stop Lamps	(S)	Indicate braking	Minimum 2	Red	On the rear - symmetrical as far apart as practicable	380-1830 (15-72)
	Rear Turn Signal Lamps	(I)	Indicate direction of turn	Minimum 2	Red or Yellow	On the rear - symmetrical as far apart as practicable	380-2110 (15-83)
	Rear Reflex Reflectors	(R)	Indicate vehicle's presence and width	Minimum 2	Red	On the rear - symmetrical as far apart as practicable facing rearward	380-1530 (15-60)
2	License Plate Lamp(s)	(L)	Illuminates license plate	Minimum 1	White	On the rear - above or at the sides of license plate	No requirement
3	Rear Side Marker Lamps <small>*photometrically certified at installation angle</small>	(P2, PC* or P3, PC2*)	Front and rear side marker lamps / side reflex reflectors indicate vehicle's presence and length	Minimum 2	Red	Each side at rear as far back as practicable	380-1530 (15-60) no max. for veh. under 2032mm (80") wide
	Rear Side Reflex Reflectors	(A)		Minimum 2	Red	Each side at rear as far back as practicable facing sideward	380-1530 (15-60)
4	Front Side Marker Lamps <small>*photometrically certified at installation angle</small>	(P2, PC* or P3, PC2*)	Front and rear side marker lamps / side reflex reflectors indicate vehicle's presence and length	Minimum 2	Yellow	Each side at front as far forward as practicable	380 (15) minimum
	Front Side Reflex Reflectors	(A)		Minimum 2	Yellow	Each side at front as far forward as practicable facing sideward	380-1530 (15-60)

ADDITIONAL EQUIPMENT FOR TRAILERS EXCEEDING THE FOLLOWING PARAMETERS Length 9.1m (30 ft.) or longer

DESCRIPTION				MANDATORY REQUIREMENTS			
Area	Equipment	SAE Lens Coding	Functional Purpose	Quantity	Color	Location	Height mm(in.) from the ground
5	Intermediate Side Marker Lamps	(P2 or P3)	Indicate presence of a long vehicle	Minimum 2	Yellow	Each side near center facing sideward	380 (15) minimum
	Intermediate Side Reflex Reflectors	(A)	Indicate presence of a long vehicle	Minimum 2	Yellow	Each side near center facing sideward	380-1530 (15-60)

Width 2032mm (80 in.) or wider

DESCRIPTION				MANDATORY REQUIREMENTS			
Area	Equipment	SAE Lens Coding	Functional Purpose	Quantity	Color	Location	Height
6	Rear Clearance Lamps <small>*photometrically certified at installation angle</small>	(P2, PC* or P3, PC2*)	Show vehicle's width MAY NOT be combined with tail lamps	Minimum 2	Red	At widest point - symmetrical on the rear or near the rear facing rearward	As high as practicable may be lower only if ID lamps are at the top
7	Rear Identification (ID) Lamps	(P2 or P3)	Indicate presence of a wide vehicle	Exactly 3	Red	On the rear - center horizontally spaced 150mm (6 in.) to 300mm (12 in.) apart facing rearward	At the top - may be lower if door header narrower than 25mm
8	Front Clearance Lamps <small>*photometrically certified at installation angle</small>	(P2, PC* or P3, PC2*)	Show vehicle's width	Minimum 2	Yellow	At widest point - symmetrical on the front or near the front facing forward	As high as practicable

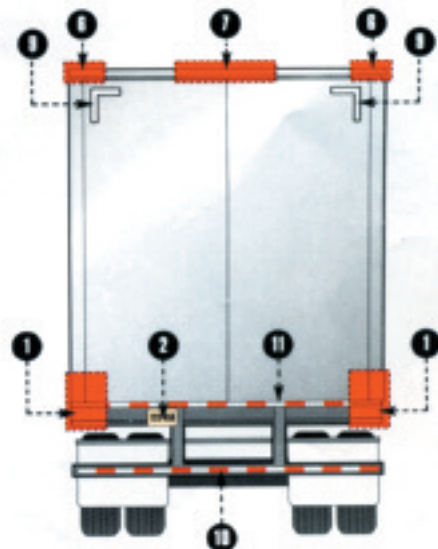
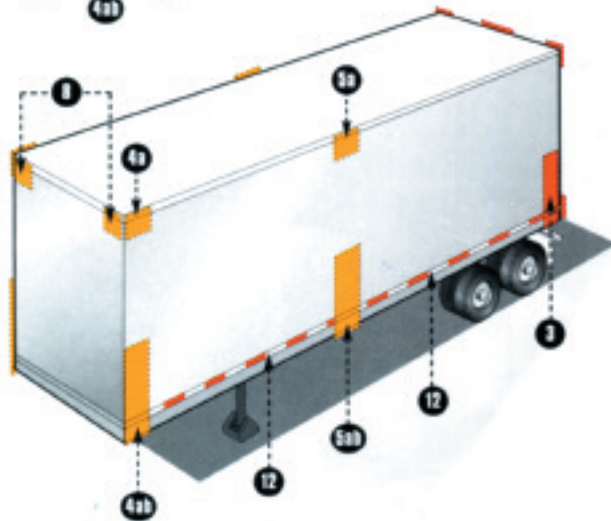
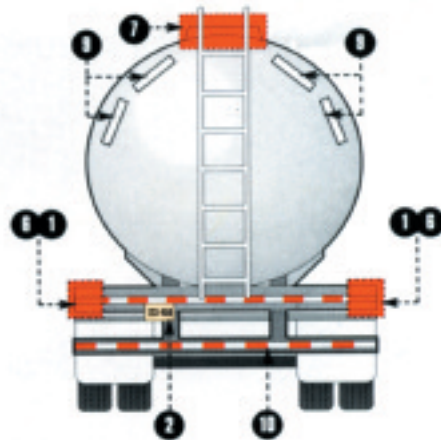
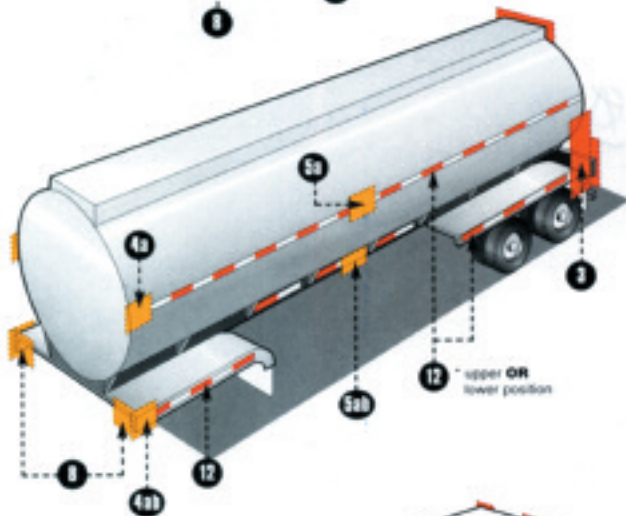
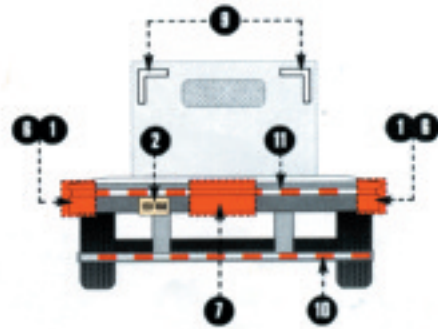
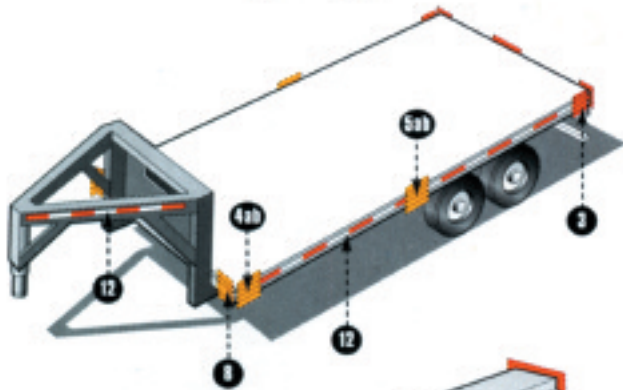
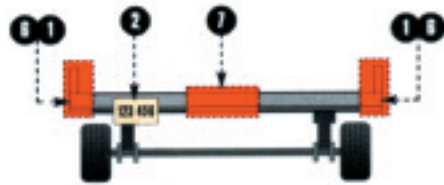
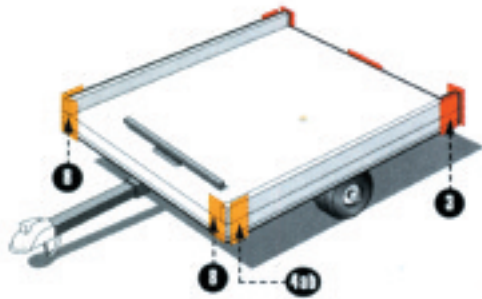
Width 2032mm (80 in.) or wider AND GVWR 4536 kg (10,000 lb.) or more

DESCRIPTION		MANDATORY REQUIREMENTS					
Area	Conspicuity Treatment	DOT Coding	Quantity	Color	Location	Height	Options
9	Rear Upper Body Markings		Exactly 2 pairs of 300mm long strips	White	On the rear upper corners facing rearward	At the top	Reflex reflectors may not be required if they are replaced in their required location with conspicuity treatment. Optional in Canada: Rear lower body and side conspicuity treatment may also be solid white, solid yellow, or white and yellow
10	Bumper Bar Marking		Continuous	Red/White	On the rear bumper bars horizontal element full width - facing rearward	No requirement	
11	Rear Lower Body Marking	DOT-C DOT-C2 DOT-C3 DOT-C4	Continuous	Red/White (see options)	On the rear full width of the vehicle facing rearward	As horizontal as practicable and as close as practicable to the range of 375 to 1525mm from the ground	
12	Side Marking		(see location)	Red/White (see options)	Each side - facing sideward continuous, or evenly spaced over minimum of 50% of length starts and ends as close to the front and rear of the vehicle as practicable	As horizontal as practicable and as close as practicable to the range of 375 to 1525mm from the ground	

NOTE: The edge of red conspicuity tape shall not be closer than 75 mm to the edge of any amber lamp and the edge of white conspicuity tape shall not be closer than 75 mm to the edge of any lamp

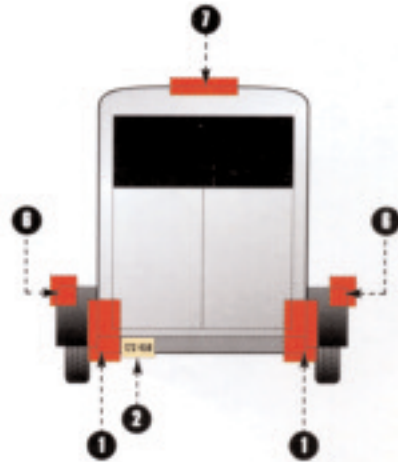
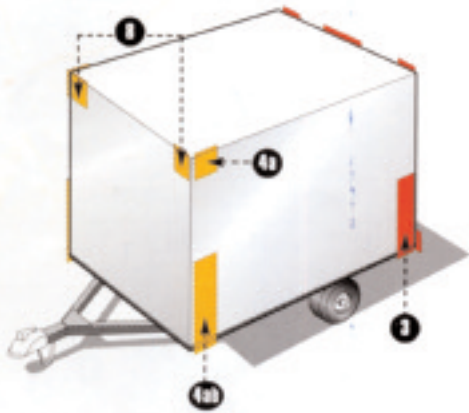
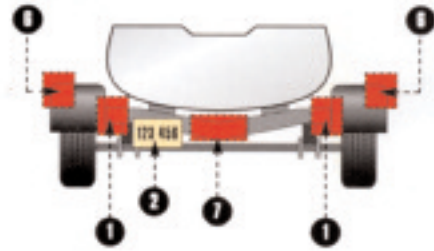
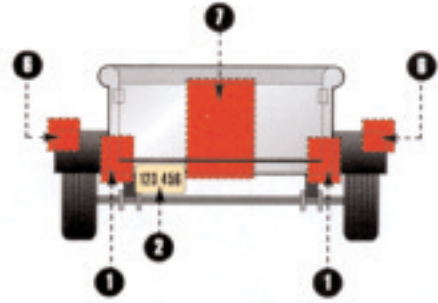
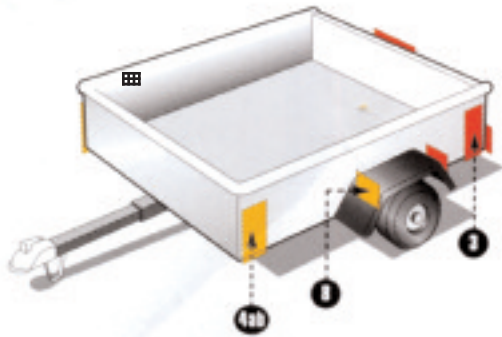
For more information contact: Transport Canada; Motor Vehicle Safety Enforcement Branch
National Highway Traffic Safety Administration; Office of Safety Performance Standards

FEDERAL LIGHTING REQUIREMENTS FOR TRAILERS



ELECTRICAL

FEDERAL LIGHTING REQUIREMENTS FOR TRAILERS



Trailer Lights

Light Kits

- LT-KIT Light Kit, Under 80" Trailers, Includes Taillights, Side Markers, Harness, LP Bracket, Hardware
- LT-LEDKIT LED Light Kit, Under 80" Trailers, Includes Taillights, Side Markers, Harness, LP Bracket, Hardware



Marker Lights

- LT01-020 Clearance Marker Light, Sealed 2" Round, Amber
- LT01-025 Clearance Marker Light, Sealed 2" Round, Red
- LT01-030 Clearance Marker Light, Sealed 2-1/2" Round, Amber, Reflectorized Lens
- LT01-035 Clearance Marker Light, Sealed 2-1/2" Round, Red, Reflectorized Lens
- LT01-050 Clearance Marker Light, Stud Mount Square, Black Base, Amber, Reflector
- LT01-060 Clearance Marker Light, Rectangle, Black Base, Amber, Reflector
- LT01-100 Clearance Marker Light, Sealed, Amber
- LT01-105 Clearance Marker Light, Sealed, Red
- LT01-115 Clearance Marker Light, Sealed, 2 Bulb, Amber
- LT01-120 Clearance Marker Light, Sealed, 2 Bulb, Red
- LT01-200 Clearance Marker Light, Dual Bulb, Black Base, Amber
- LT01-210 Clearance Marker Light, Dual Bulb, Black Base, Red
- LT01-220 Clearance Marker Light, Oval, Reflector, Amber
- LT01-230 Clearance Marker Light, Oval, Reflector, Red
- LT01-300 ID Bar Light, 3-Piece, White Bar, 50" Wire, Red
- LT06-100 Pigtail, 2-Wire 90 Degree, 6" Lead
- LT06-200 Plug & Base, Single Wire, Fits LT01-115/120 & LT02-100/105
- LT06-305 Grommet Ring, Rubber, Flush Mount, Fits 2" Round
- LT06-310 Grommet Ring, Rubber, Flush Mount, Fits 2-1/2" Round



LT06-305



LT01-200

LED Marker Lights

- LT02-100 LED Clearance Marker Light, Thin Line Sealed, 4-Diode, Amber
- LT02-105 LED Clearance Marker Light, Think Line Sealed, 4-Diode, Red
- LT02-020 LED Clearance Marker Light, 2" Round, Sealed, Amber
- LT02-025 LED Clearance Marker Light, 2" Round, Sealed, Red
- LT02-030 LED Clearance Marker Light, 2-1/2" Round, Sealed, Amber
- LT02-035 LED Clearance Marker Light, 2-1/2" Round, Sealed, Red
- LT06-100 Pigtail, 2-Wire 90 Degree, 6" Lead
- LT06-200 Plug & Base, Single Wire, Fits LT01-115/120 & LT02-100/105
- LT06-305 Grommet Ring, Rubber, Flush Mount, Fits 2" Round
- LT06-310 Grommet Ring, Rubber, Flush Mount, Fits 2-1/2" Round



LT06-305



LT03-105



LT03-125



LT04-100



LT04-135

Tail Lights

- LT03-100 S/T/T Light, Univ Stud Mount, 6-Function, Under 80" Trailers
- LT03-105 S/T/T Light, Univ Stud Mount, 7-Function, Under 80" Trailers
- LT03-125 S/T/T Light, Flush Mount 4-1/2" Round, Black Steel Flange, Snap-In Lens Ring
- LT03-135 S/T/T Light, 6" Oval, 3-Function, White PC Housing
- LT03-190 S/T/T Light, 4-1/2" Sealed
- LT06-105 Pigtail, 3-Wire Straight, 6" Lead
- LT06-300 Grommet Ring, Rubber, Fits 4" Round
- LT06-315 Grommet Ring, Rubber, Fits 6" Oval

LED Tail Lights

- LT04-100 LED S/T/T Light, Univ Stud Mount, 6-Function, Under 80" Trailers
- LT04-105 LED S/T/T Light, Univ Stud Mount, 7-Function, Under 80" Trailers
- LT04-125 LED S/T/T Light, 4" Round, 10 Super Diode
- LT04-135 LED S/T/T Light, 6" Oval, 10 Super Diode
- LT06-105 Pigtail, 3-Wire Straight, 6" Lead
- LT06-300 Grommet Ring, Rubber, Fits 4" Round
- LT06-315 Grommet Ring, Rubber, Fits 6" Oval

Pigtails & Bases

- LT06-100 Pigtail, 2-Wire 90 Degree, 6" Lead
- LT06-105 Pigtail, 3-Wire Straight, 6" Lead
- LT06-110 Pigtail, 2-Wire Straight, B/U Lights, 6" Lead
- LT06-200 Plug & Base, Single Wire, Fits LT01-115/120 & LT02-100/105



LT06-105

Grommets

- LT06-300 Grommet Ring, Rubber, Fits 4" Round
- LT06-310 Grommet Ring, Rubber, Flush Mount, Fits 2-1/2" Round
- LT06-315 Grommet Ring, Rubber, Fits 6" Oval



LT06-305

Utility Lights & Brackets

- LT05-100 Utility Light, Rectangular Weather Proof Int/Ext w/Switch
- LT05-125 Utility Light, 5" 4411 Sealed Beam, Rubber Housing, Plated Bracket
- LT05-200 License Plate Bracket, Angled, Black Polymer
- LT05-300 Utility Light, Snap-In License/Dash Light, Chrome Plated



LT05-100

Reflectors

- LT07-100 Reflector, Rectangular, Self Adhesive, Amber (2 pk)
- LT07-105 Reflector, Rectangular, Self Adhesive, Red (2 pk)
- LT07-120 Reflector, Oblong, Self Adhesive, Screw Mnt, Amber (2 pk)
- LT07-125 Reflector, Oblong, Self Adhesive, Screw Mnt, Red (2 pk)



LT07-120

Litemate T-Connectors

Redline has applications to fit General Motors, Ford, Dodge, and Import trucks, vans, and SUVs. These plug-in-simple connectors make adding a trailer connector to your vehicle easy.

Chevrolet/GMC

Truck

- 31155 Litemate, 01-06 Chev HD Truck & SUV
- 31135 Litemate, 98-04 GM S10/S15 Sonoma
- 3284 Litemate, 88-99 Chevrolet Old Body Style
- 3034 Litemate, 85-87 Chevrolet/GM Pick-Up; 85-97 S-10/S-15

SUV

- 31155 Litemate, 99-04 Chevrolet 1500/2500/Avalanche/TrailBlazer
- 3904 Litemate, 96-05 GM Bravada, Jimmy, Blazer
- 3284 Litemate, 92-99 Suburban, Tahoe

Van

- 31335 Litemate, 00-02 Chevrolet Express & Savannah Van
- 3904 Litemate, 95-02 GM Astro, Safari



31155



3284



3904

Dodge/Chrysler

Truck

- 32135 Litemate, 02-06 Dodge RAM 1500; 03-06 2500/3500
- 3784 Litemate, 95-03 Dodge Dakota; 95-02 RAM

SUV

- 3864 Litemate, 98-05 Dodge Durango

Van

- 3864 Litemate, 96-00 Chrysler Mini Vans



32135

Ford

Truck

- 30165 Litemate, 02-04 Ford F250 HD; F350
- 30155 Litemate, 99-01 Ford F250/350 Super Duty
- 30915 Litemate, 98-99 Ford Ranger w/Towpack
- 30145 Litemate, 97-04 Ford F-150/250 LD
- 30185 Litemate, 05-06 Ford F-150
- 3674 Litemate, 93-99 Ranger/Mazda Pick-Up; Includes Converter
- 3294 Litemate, 87-96 Ford Full Size Pick-Up



30155

SUV

- 30915 Litemate, 95-00 Ford Explorer; 96-01 Mercury Mountaineer

Van

- 30615 Litemate, 99-02 Ford Windstar Van (& Early 2003)



30615

Jeep

- 32535 Litemate, 99-04 Jeep Grand Cherokee
- 32615 Litemate, 98-04 Jeep Wrangler & Jeep Renegade
- 3854 Litemate, 94-98 Jeep Grand Cherokee, Includes Converter

Import

- 31135 Litemate, 98-04 Isuzu Hombre
- 3674 Litemate, 93-99 Ranger/Mazda Pick-Up; Includes Converter
- 33515 Litemate, 98-04 Nissan Frontier
- 3744 Litemate, 84-04 Toyota Pick-Up (Except T-100)



33515



33315

4, 6, & 7 Way Harness

- 30955 Multi-Tow, 7-Way RV & 4-Way, For 99-06 Ford/Lin/Merc w/OEM 7-Way
- 37185 Multi-Tow, 7-Way RV & 4-Way Vehicle Plug
- 30965 Multi-Tow, 6-Way & 4-Way, For 99-06 GM w/OEM 7-Way
- 37175 Multi-Tow, 6-Way & 4-Way Vehicle Plug
- 22715 Litemate, Wiring Harness w/Flat 4-Way Plug



30955

Taillight Converters

Redline offers taillight converters for use where plug-in T-connectors are not available.

- TLC510 Taillight Converter, 3-Wire to 2-Wire System
- TLC513 Power Converter, Molded Flat 4-Way



TLC510

Wiring Accessories

- TA01-200 Dust Cover, 4-Flat Cover & LED Tester
- TA01-300 Wire Frame Clips, 3/8" (5 pk)
- TA01-325 Loom Clamps, 3/8" Metal (5 pk)
- TA01-340 Loom Clamps, 3/8" Nylon (5 pk)



TA01-300



TA01-325

Trailer Connector Adapters

- ADP624 Adapter, Trailer Connector, 6-Way Round to 4-Way Flat
- ADP724RV Adapter, Trailer Connector, 7-Way RV to 4-Way Flat
- ADP725RV Adapter, Trailer Connector, 7-Way RV to 5-Way Flat
- ADP726RV Adapter, Trailer Connector, 7-Way RV to 6-Way Round
- ADP764RV Adapter, Trailer Connector, 7-Way RV to 6-Way Round & 4-Way Flat
- 3065 Adapter Plug, Converts 4-Way Flat to 6-Way Round
- 3074 Adapter Plug, Converts 4-Way Flat to 7-Way RV



ADP726RV



ADP724RV

Trailer Connectors

- TA01-020 Trailer Connector, 4-Pole Flat, Vehicle & Trailer Ends
- TA01-025 Trailer Connector, 4-Flat, 12" Trailer End
- TA01-060 Trailer Connector, 4-Pole Round, Chrome, Trailer & Vehicle Ends
- TA01-100 Trailer Connector, 6-Pole Round, Zinc Die Cast, Vehicle End
- TA01-110 Trailer Connector, 6-Pole Round, Zinc Die Cast, Trailer End
- TA01-120 Trailer Connector, 7-Pole RV, Plastic, Vehicle End
- TA01-125 Trailer Connector, 7-Pole RV, Plastic, Trailer End

*Make Sure To Visit Page 45 For Wiring Diagrams.



TA01-020

Electric Brake Controls

Redline offers a complete line of electric trailer brake controllers. All are time based, with gradual trailer brake application. Full brake actuation comes in 2 to 2.8 seconds, depending on the controller.

TA900A

The TA900A controller has a multi-color LED light which indicates completed circuit, brake actuation, and brake wire shorts. Full brake actuation in 2 seconds; for 1-3 axle applications.



TA1000

The TA1000 has a two colored LED light which indicates a completed circuit and brake actuation. Full brake actuation in 2.5 seconds; for 1-2 axle applications.



TA1100

The TA1100 utilizes an LED light display which indicates a complete electrical circuit. Full brake actuation in 2.8 seconds, unless "hard" braking of tow vehicle occurs and inertia sensor overrides timer system for panic stop. For 1-2 axle applications.



TA1200

The TA1200 has a digital display showing the amount of voltage being applied to the trailer brakes. The display will also notify the user of short circuits and faulty trailer connections. Full brake actuation in 2.5 seconds; for 1-3 axle applications.



Brake Control Installation Harnesses

Redline offers the harnesses to make brake control installation simple. These harnesses plug into the convenience center of the tow vehicle, and depending on the harness, either directly wire or plug into the brake controller.

TA05-025	Brake Control Harness, 99-02 GM Truck, Prodigy Connector
TA05-026	Brake Control Harness, 03-06 GM Truck, Prodigy Connector
TA05-126	Brake Control Harness, 99-06 GM Truck
TA05-030	Brake Control Harness, 94-04 Ford Truck, 05-06 F150, Prodigy Connector
TA05-130	Brake Control Harness, 94-04 Ford Truck
TA05-031	Brake Control Harness, 05-06 Ford Super Duty
TA05-035	Brake Control Harness, 96-06 Dodge Truck, Prodigy Connector
TA05-135	Brake Control Harness, 97-06 Dodge Truck



TA05-025

Brake Control Installation Accessories

TA05-020	Brake Control Installation Kit, Universal
TA05-040	Side Post Battery Adapter Kit



Break-Away Kits & Accessories

5 Amp/Hour Kits

These break-away kits are suitable for use on trailers with 1-3 axles. The Engager comes complete with a "push to test" button, letting the user know the condition of the break-away battery.

BA10-140	Break-Away Kit, 5 A/H Battery, Switch, Charger, Mounting Hardware
BA10-150	Break-Away Kit, Engager, 5 A/H Battery, Charger, Switch, LED Test Lights
BA10-250	Break-Away Kit, Engager, 5 A/H Battery, Charger, Switch, LED Test Lights



BA10-150

Replacement Parts & Accessories

BA02-010	Break-away Switch, Nylon, w/Metal Bracket
BA02-020	Charger, 12V Maintenance For Break-Away Kits
BA01-020	Battery, 12V, 5 A/H, Sealed, Rechargeable



BA02-020



Redline offers a complete selection of replacement trailer hardware, including D-rings, latches, and chain hardware. We also have cargo control products such as ratchet straps, and tie downs.



Hardware Section Index

Product	Page	Product	Page
Tie Down Straps	40	Tie Loops	41
Ratchet Straps	40	Stake Pockets	41
Quick Links	40	Step, Folding	41
Clevis Grab Hooks	40	Door Hold Backs	42
Clevis Slip Hooks	40	Latches	42
Safety Chains	40	Locking Handles	42
S-Hooks	41	Floor Screws, Torx	43
Snap Hooks	41	Torx Bit	43
D-Rings	41	Motorcycle Wheel Chock	43
Rope Rings	41	Spare Tire Carriers	43

Straps

Redline offers cargo control products for your trailering needs.

Tie Down Straps

TA08-110 Tie Down Strap, 1" x 10', Cam Buckle, 2K



TA08-110

Ratchet Straps

TA08-115 Ratchet Strap, 1" x 15', 1500 LB Capacity

TA08-1515 Ratchet Strap, 1-1/2" x 15', 5K

TA08-220 Ratchet Strap, 2" x 20', Wire Hooks, 4.5K



TA08-220

Chain & Strap Hardware

From grab hooks to quick links to snap hooks, Redline has the hardware you need.

Safety Chains

HW02-100 Safety Chains, Class I, 27" x 3/16" w/Hooks (2 pk)

HW02-110 Safety Chains, Class III, 30" x 1/4" w/Hooks (2pk)



HW02-100

Quick Links

HW01-065 Chain Quick Link, 5/16" (Qty 2)

HW01-070 Chain Quick Link, 3/8" (Qty 2)



HW01-070

Clevis Grab Hooks

HW01-050 Clevis Grab Hook, 5/16", 11.7K Capacity

HW01-055 Clevis Grab Hook, 3/8", 16.2K Capacity



HW01-055



HW01-040

Clevis Slip Hooks

HW01-030 Clevis Slip Hook, 1/4" w/Latch, 7.8K Capacity

HW01-035 Clevis Slip Hook, 5/16" w/Latch, 11.7K Capacity

HW01-040 Clevis Slip Hook, 3/8" w/Latch, 16.2K Capacity

S- Hooks

- HW01-020 S-Hook, 5/16" Galvanized, 185 LB Limit (Qty 4)
- HW01-025 S-Hook, 3/8" Galvanized, 270 LB Limit (Qty 2)
- HW01-005 S-Hook, For 3/16" Safety Chain (Qty 2)



HW01-025

Snap Hooks

- HW01-085 Snap Hook, 5/8" (Qty 2)



HW01-085

Trailer Hardware

Redline offers the replacement trailer hardware you need. We have D-rings, door latches, floor screws and more.

D-Rings

- HW03-020 D-Ring, Bolt-On, w/Bracket, 1-1/8" x 1-1/8" (Qty 2)
- HW03-050 D-Ring, Bolt-On, 2-1/2" x 3/8", 1/2" Ring
- HW03-060 D-Ring, Weld-On, w/Bracket, 5/8" Ring, 3" x 3" ID
- HW03-070 D-Ring, Recessed, 4-7/8" x 4-1/2" Plate, 1-3/8" Rings



HW03-020

Rope Rings & Tie Loops

- HW03-030 Rope Ring, Recessed, 5" x 3-1/2" x 3/8" Deep
- HW03-040 Rope Ring, Surface Mount, 4-1/4" Diameter, 1/4" Ring
- HW03-010 Tie Loop, Bolt-On, 1/2" x 2" Round Aluminum



HW03-040

Stake Pockets & Steps

- HW03-080 Stake Pocket, Weld-On, 3-1/2" x 1-5/8"
- HW03-100 Folding Step/Handle, 2-1/8" x 4-3/8", Bolt-On



HW03-080

Door Hold Backs

HW05-090 Door Hold Back, Metal 2 Pc Hook & Keeper



HW05-090

Latches & Assemblies

HW05-040 Flush Latch, Jr, Stainless Steel Finish, Locking

HW05-050 Flush Latch, Plain Finish, Locking

HW05-060 T-Handle Latch, Stainless Steel Finish, Locking

CDLAT Latch Assembly, Replacement For Camper Doors



HW05-060

Locking Handles

HW05-010 Locking "L" Handle For Cab Locks, 5/16" Sq. Shaft

HW05-020 Locking "T" Handle For Cab Locks, 5/16" Sq. Shaft



HW05-010

Floor Screws & Driver Bit

- TF01-150 Floor Screw, Torx Head, 1/4" x 1-1/2" (Qty 40)
- TF01-225 Floor Screw, Torx Head, 1/4" x 2-1/4" (Qty 40)
- TF01-250 Floor Screw, Torx Head, 1/4" x 2-1/2" (Qty 40)
- TF02-150 Floor Screw, Torx Head 1/4" x 1.50" ACQ Coated, 40pk
- TF02-225 Floor Screw, Torx Head 1/4" x 2.25" ACQ Coated, 40pk
- TF02-250 Floor Screw, Torx Head 1/4" x 2.50" ACQ Coated, 40pk



TF01-250

Motorcycle Wheel Chock

A great add-on to any trailer used to haul motorcycles. This simple to install wheel chock will help protect your motorcycle from moving during transportation.

- TA08-410 Motorcycle Wheel Chock, Removable, Stainless
- TA08-420 Hardware Install Kit, Motorcycle Wheel Chock, Wood Floor
- TA08-421 Hardware Install Kit, Motorcycle Wheel Chock, Metal Floor



TA08-410

Spare Tire Carriers

No more need to worry if you remembered to bring the spare. Keep it securely attached to your trailer with either of these carrier systems. The 6280 gives the added security of a locking function.

- 6220 Spare Tire Carrier, Without Lock
- 6280 Spare Tire Carrier, 4 & 5 Bolt Wheel, w/Padlock



6220



6280

HARDWARE



Redline offers a replacement Jacks, Couplers, Fenders, and repair parts.



Jacks/Coupler Section Index

Product	Page	Product	Page
Couplers		Fenders	46
1-7/8" Straight Tongue	45	Swivel Jack	46
2" Straight Tongue	45	A-Frame Jack	46
Coupler Repair Kits	45	Jack Repair Kits	46

Couplers

Redline offers both 1-7/8" and 2" couplers, all for straight tongue applications.

1 - 7/8"

- CP01-010 Coupler, 1-7/8" Zinc, 2" Tongue, 2K
- CP01-020 Coupler, 1-7/8" Zinc, 2.5" Tongue, 2K
- CP01-030 Coupler, 1-7/8" Zinc, 3" Tongue, 2K

2"

- CP01-040 Coupler, 2" Zinc, 2" Tongue, 3.5K
- CP01-050 Coupler, 2" Zinc, 2.5" Tongue, 3.5K
- CP01-060 Coupler, 2" Zinc, 3" Tongue, 3.5K
- CP01-070 Coupler, 2" Zinc, 3" Tongue, 5K



CP01-040

Coupler Repair Kits

We have repair kits for common applications to fit Atwood, Bulldog, Fulton, Shelby, and Yard Dog couplers.

Atwood Couplers

- CP02-010 Coupler Repair Kit, Atwood 2" Yoke Style
- CP02-020 Coupler Repair Kit, Atwood 2-5/16" 80131,80281 Couplers
- CP02-030 Coupler repair Kit, Atwood 88555 A-Frame 2" Coupler



CP02-010

Bulldog Couplers

- CP02-110 Coupler Repair Kit, High Profile Handle, Bulldog Couplers
- CP02-120 Pin & Retainer, Bulldog Couplers



CP02-090

Fulton Coupler

- CP02-090 Coupler Repair Kit, Fulton Hand Wheel Coupler



CP02-040

Shelby Couplers

- CP02-040 Coupler Repair Kit, Shelby 1-7/8" Class 1 Coupler
- CP02-050 Coupler Repair Kit, Shelby 2" Class 2 Coupler
- CP02-060 Coupler Repair Kit, Shelby 2" Class 3 Coupler



WFH3RK

Yard Dog Coupler

- WFH3RK Coupler Repair Kit, Yard Dog Coupler

JACK / COUPLERS

Fenders

FN01-100	Fender, 9" x 32" Single, 15.25" Tall, 1" Radius, 16 Gauge
FN01-105	Fender, 9" x 32" Single, 15.25" Tall, 1" Radius, 16 Gauge, 12" Back
FN02-100	Fender, 9" x 72" Tandem, 20.5" Tall, 1" Radius, 16 Gauge
FN02-105	Fender, 9" x 72" Tandem Teardrop, 20.5" Tall, 1" Radius, 16 Gauge
FN03-100	Fender, 8" x 8" x 24" Jeep Style, 16 Gauge



Trailer Jacks

The 850 lb capacity wheel jack is great for any light duty application. With the swivel caster wheel, it makes moving the trailer around a breeze. Our 2,000 LB A-frame jack is perfect for your small trailers.

JP01-010	Jack, Bolt-On Swivel, 850 LB Capacity, w/Wheel
JP01-025	A-Frame Jack, 2K Topwind w/Mounting Hardware



Jack Repair Parts

We have repair kits for common applications to fit Atwood, Bulldog, Fulton, and Shelby jacks.

JP02-010	Jack Handle, Top Wind, Atwood, Shelby, Fulton
JP02-020	Jack Handle, Top Wind, Bulldog 2K-5K Jacks
JP02-030	Jack Handle, Top Wind, Fulton & Bulldog 7K Dropleg Jacks
JP02-050	Jack Foot, 2K Capacity, Fits 2.25" Tube
JP02-100	Pin & Chain, 9/16", Bulldog Pipe Mount Jacks
JP02-110	Pin & Chain, 5/8", Bulldog 7K Swivel Jacks
JP02-200	Snap Ring, Replacement Fits Most Snap Rings Swivel Jacks
JP02-150	Plunger Assembly, 1/2" Plunger Pin Assembly For Bulldog Swivel Jack

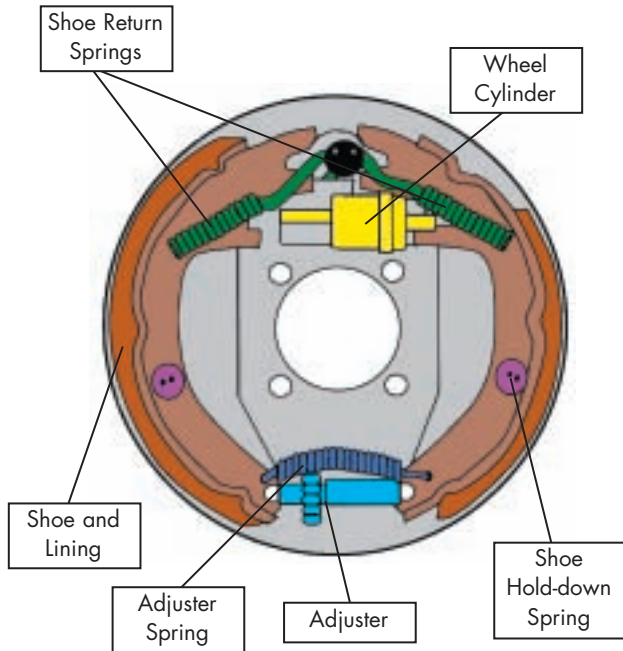


JP02-010

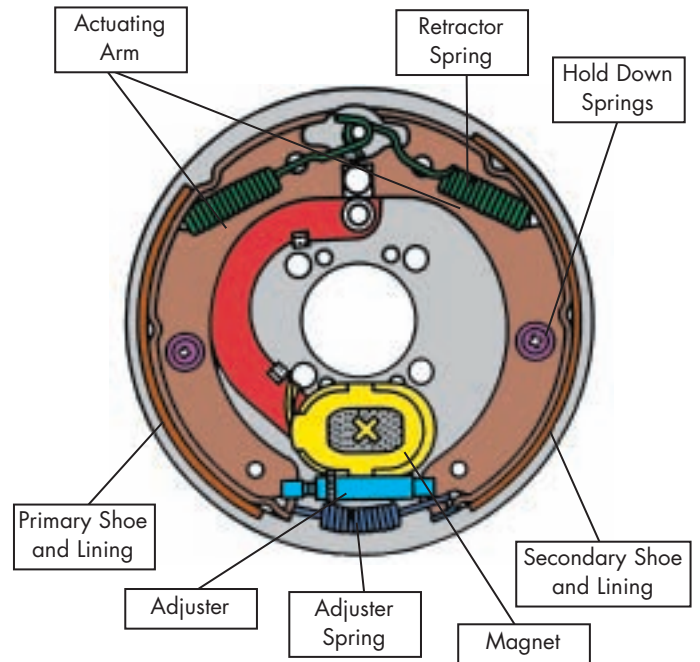


JP02-200

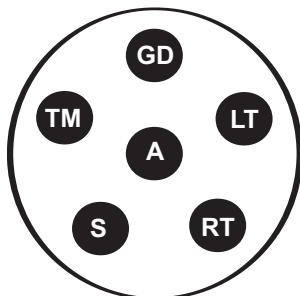
Hydraulic Drum Brakes



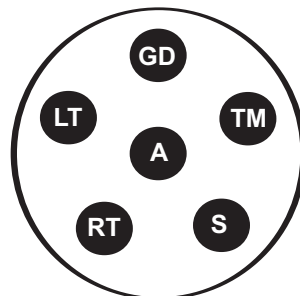
Electric Drum Brakes



Typical Wiring Diagram for 6-Way Round Connectors



Vehicle End

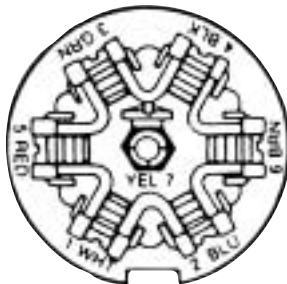


Trailer End

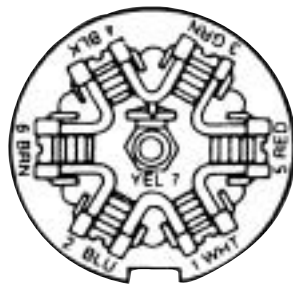
S*	Brakes	Blue
GD	Ground	Black
TM	Taillights	Brown
RT	Right Turn	Green
A*	Accessory	Red
LT	Left Turn	Yellow

*Caution: Some manufacturers use "S" for Accessory and "A" for Brakes. Locate wires by function only. Color coding is not standard among all manufacturers

Typical Wiring Diagram for 7-Pole RV (Blade) Connectors



Vehicle End



Trailer End

1	Ground	White
2	Electric Brakes	Blue
3	Tail, Running Lights	Green
4	Battery	Black
5	LH Stop & Turn	Red
6	RH Stop & Turn	Brown
7	Auxiliary	Yellow

Locate wires by function only. Color coding is not standard among all manufacturers

Alphabetical Index

Product	Page #	Product	Page #	Product	Page #
ACTUATING ARM.....	9	GREASE CAP PLUG.....	17	SHACKLE STRAP.....	19
ACTUATING ARM KIT.....	9	GREASE SEAL.....	17	SHOE & LINING.....	4-7
ADAPTER, TRAILER CONNECTOR.....	36	HANGER KIT.....	20	SHOE CENTERING SPRING.....	8
ADJUSTER.....	10	HARDWARE INSTALL KIT, Wheel Chock.....	43	SHOE HOLD DOWN.....	7
ADJUSTER & LEVER.....	11	HITCH BALL.....	23	SHOE HOLD DOWN KIT.....	7
ADJUSTER CABLE.....	11	HITCH BALL COVER.....	24	SHOE HOLD DOWN RETAINER.....	7
ADJUSTER KIT.....	11	HUB KIT.....	16	SHOE RETURN SPRING.....	8
ADJUSTER LEVER.....	11	HYDRAULIC ADAPTER.....	14	S-HOOK.....	41
ADJUSTER PLUG.....	11	HYDRAULIC FLEX HOSE.....	14	SIDE POST BATTERY ADAPTER KIT.....	38
ADJUSTER SPRING.....	10	HYDRAULIC LINE ADAPTER.....	14	SNAP HOOK.....	41
ANTI-RATTLE SPRINGS.....	3	HYDRAULIC LINE KIT.....	14	SNAP RING.....	46
AXLE.....	16	HYDRAULIC LINE NUT.....	14	SPARE TIRE CARRIER.....	43
AXLE LINE TEE.....	14	HYDRAULIC LINE TEE.....	14	SPINDLE NUT.....	18
BALL MOUNTS.....	24	HYDRAULIC LINE UNION.....	14	STAKE POCKET.....	41
BREAK-AWAY KIT.....	38	HYDRAULIC SERVICE TEE.....	14	STEEL HOSE BRACKET.....	14
BEARING KIT.....	16	JACK.....	46	SUITCASE LATCH.....	42
BEARING PROTECTOR KIT.....	17	JACK HANDLE.....	46	TAILLIGHT CONVERTER.....	35
BLEEDER SCREW.....	14	LEAF SPRING, DOUBLE EYE.....	19	T-HANDLE LATCH.....	42
BRACKET CLIP.....	14	LEAF SPRING, SLIPPER.....	19	TIE LOOP.....	41
BRAKE CONTROL HARNESS.....	38	LATCH ASSEMBLY.....	42	TRAILER CONNECTOR.....	36
BRAKE CONTROL INSTALLATION KIT.....	38	LIGHT KIT.....	30	U-BOLT.....	20
BRAKE SHOE REPAIR KIT.....	7	LIGHT, ACCESSORIES.....	32	U-BOLT PLATE.....	20
BREAK-AWAY CHARGER.....	38	LIGHT, MARKER.....	30	VENT MAGNET.....	12
BREAK-AWAY KIT.....	38	LIGHT, MARKER, LED.....	31	WHEEL BOLT.....	18
BREAK-AWAY SWITCH.....	38	LIGHT, TAIL.....	31	WHEEL CYLINDER.....	13
CALIPER REBUILD KIT.....	3	LIGHT, TAIL, LED.....	31	WHEEL CYLINDER REBUILD KIT.....	13
CALIPER RETAINING BOLTS.....	3	LITEMATES.....	33-34	WHEEL LOCK NUT.....	18
CAMSHAFT REPAIR KIT.....	7	LOCK SET.....	25	WHEEL NUT.....	18
CHAIN, SAFETY.....	40	LOCKING "L" HANDLE FOR CAB LOCKS.....	42		
CHAIN QUICK LINK.....	40	LOCKING "T" HANDLE FOR CAB LOCKS.....	42		
CLEVIS GRAB HOOK.....	40	LOCKING HITCH PIN.....	25		
CLEVIS SLIP HOOK.....	40	MAGNET.....	12		
COUPLER, HITCH.....	45	MAGNET CLIP.....	12		
COUPLER LOCK.....	25	MOTORCYCLE WHEEL CHOCK.....	43		
COUPLER REPAIR KIT.....	45	MULTI-TOW HARNESS.....	35		
DISC BRAKE CALIPER.....	3	NYLON BUSHING.....	19		
DISC BRAKE CALIPER PISTON.....	3	OIL CAP GASKET.....	17		
DISC BRAKE PAD.....	3	OIL CAP KIT.....	17		
DISC BRAKE PAD RETAINER.....	3	OIL CAP O-RING.....	17		
DOOR HOLD BACK.....	42	PIN & CHAIN.....	46		
DOUBLE LIP SEAL.....	17	PINTLE ADAPTER.....	25		
D-RING.....	41	PINTLE HITCH, COMBO.....	25		
DRIVE IN STUD.....	18	PINTLE HITCH, RECEIVER.....	25		
DUST SHIELD.....	13	PLUNGER ASSEMBLY.....	46		
ELECTRIC BRAKE ASSEMBLY.....	3	POWER CONVERTER.....	35		
ELECTRIC BRAKE CONTROL.....	37	PROTECTIVE MAGNET WIRE KIT.....	12		
EQUALIZER, SUSPENSION.....	19	RATCHET STRAP.....	40		
EQUALIZER BOLT.....	19	RECEIVER HITCHES.....	22-23		
FENDER, JEEP STYLE.....	46	RECEIVER HITCH PIN.....	24		
FENDER, SINGLE.....	46	RECEIVER TUBE COVER.....	25		
FENDER, TANDEM.....	46	REFLECTOR.....	32		
FLOOR SCREW.....	43	RIM CLAMP.....	18		
FLUSH LATCH.....	42	ROPE RING.....	41		
FOLDING STEP/HANDLE.....	41	SCREW DRIVER BIT.....	43		
GREASE CAP.....	17	SHACKLE BOLT.....	19		

Part Number Index

122185UB ...20	AX01-100.....16	BP04-1606	BP15-08513	HW01-055 ...40	LT06-300 ..31,32	RRH13028...22, 23	SP06-14019
1619614	AX01-110.....16	BP04-1626	BP15-15013	HW01-065 ...40	LT06-305 30, 31	RRH13029...22	TA01-02036
18-205825	AX01-120.....16	BP04-1646	BP15-19013	HW01-070 ...40	LT06-310 30,31,32	RRH13035...22	TA01-02536
2271535	AX01-130.....16	BP04-1686	BP16-04013	HW01-085 ...41	LT06-315 31, 32	RRH13039...23	TA01-06036
301-314	AX01-140.....16	BP04-1804	BP16-05013	HW02-100 ...40	LT07-10032	RRH13040...22	TA01-10036
301-414	AX02-140.....16	BP04-1854	BP17-02013	HW02-110 ...40	LT07-10532	RRH13042...22	TA01-11036
3014534	BA01-020...38	BP04-2204	BP17-03013	HW03-010 ...41	LT07-12032	RRH13048...23	TA01-12036
3015534	BA02-010...38	BP04-2355	BP17-04013	HW03-020 ...41	LT07-12532	RRH13049...23	TA01-12536
3016534	BA02-020...38	BP04-2365	BP17-05013	HW03-030 ...41	LT-KIT.....30	RRH13051...23	TA01-20035
3018534	BA10-140...38	BP04-2385	BP18-01614	HW03-040 ...41	LT-LEDKIT.....30	RRH13084...23	TA01-30035
303433	BA10-150...38	BP04-2405	BP18-0453	HW03-050 ...41	PH01-100...25	RRH13097...22	TA01-32535
305781814	BA10-250...38	BP04-2455	BP18-0503	HW03-060 ...41	PH01-256...25	RRH13180...23	TA01-34035
305782814	BK1-100.....16	BP04-2505	BP18-0603	HW03-070 ...41	PH01-200...25	RRH13199...23	TA02-02524
3061534	BK1-150.....16	BP04-2555	BP18-0653	HW03-080 ...41	PH02-200...25	RRH13216...22	TA02-04524
306-314	BK2-100.....16	BP04-2606	BP18-0753	HW03-100 ...41	PH02-256...25	RRH13228,22,23	TA03-02524
306536	BK3-100.....16	BP04-2706	BP18-0803	HW05-010 ...42	PWC1012...12	RRH13244...23	TA03-04524
307-314	BK3-110.....16	BP04-2805	BP18-0903	HW05-020 ...42	RG01-020 ...18	RRH13251...23	TA04-02024
307436	BK3-200.....16	BP04-2905	BP18-1053	HW05-040 ...42	RG01-040 ...18	RRH13254...22	TA04-04024
308781214	BK3-210.....16	BP04-3205	BP18-1153	HW05-050 ...42	RG01-060 ...18	RRH13280...22	TA05-02038
308790014	BK3-300.....16	BP04-3255	BP19-001.....12	HW05-060 ...42	RG01-080 ...18	RRH13297...22	TA05-02538
3091534	BK3-310.....16	BP04-3305	BP19-005.....12	HW05-090 ...42	RG01-100 ...18	RRH13310,22,23	TA05-02638
3095535	BM01-285...24	BP04-3355	BP20-0907	JP01-01046	RG01-120 ...18	RRH13325...22	TA05-03038
3096535	BM01-485...24	BP04-3406	BP20-1207	JP01-02546	RG01-150 18,25	RRH13332...22	TA05-03138
30980114	BM01-595...24	BP04-3506	BP20-1357	JP02-01046	RG02-020 ...18	RRH13352...23	TA05-03538
30980214	BM01-895...24	BP04-3605	BP22-0107	JP02-02046	RG02-040 ...18	RRH13355...23	TA05-04038
31079714	BM02-170...24	BP04-3655	BP22-0157	JP02-03046	RG02-060 ...18	RRH13365...23	TA05-12638
31079814	BM02-270...24	BP04-3705	BP22-0207	JP02-05046	RG03-020 ...18	RRH13402...22	TA05-13038
3113533,34	BM03-285...24	BP04-3755	BP22-0257	JP02-10046	RG03-040 ...18	RRH13408...23	TA05-13538
3115533	BM03-485...24	BP04-3806	BP22-0357	JP02-11046	RG03-060 ...18	RRH13422...22	TA06-10025
3133533	BP01-06412	BP04-3906	CDLAT42	JP02-15046	RG03-080 ...18	RRH13540...23	TA06-12525
3213533	BP01-06812	BP04-3953	CL-325	JP02-20046	RG03-120 ...18	RRH13550...23	TA08-11040
3253534	BP01-09012	BP04-4003	CP01-01045	LT01-02030	RG03-140 ...18	RRH13590...22	TA08-11540
3261534	BP01-11012	BP06-0907	CP01-02045	LT01-02530	RG04-010 ...17	RRH13841...23	TA08-151540
328433	BP01-11512	BP06-1207	CP01-03045	LT01-03030	RG04-020 ...17	RRH13950,22,23	TA08-22040
329434	BP01-14012	BP06-1957	CP01-04045	LT01-03530	RG04-040 ...17	RRH14001,22,23	TA08-41043
3351534	BP01-16012	BP06-2357	CP01-05045	LT01-05030	RG04-060 ...17	RRH14008...22	TA08-42043
34822545BX.16	BP01-18012	BP06-2407	CP01-06045	LT01-06030	RG04-080 ...17	RRH14081...22	TA08-42143
34822BX.....16	BP01-18512	BP07-1058	CP01-07045	LT01-10030	RG04-100 ...17	RRH14082,22,23	TA1000.....37
367434	BP01-22512	BP07-1108	CP02-01045	LT01-10530	RG04-120 ...17	RRH14332...22	TA1100.....37
3717535	BP01-26512	BP07-1218	CP02-02045	LT01-11530	RG04-230 ...17	RRH14355...23	TA1200.....37
3718535	BP01-27012	BP07-1508	CP02-03045	LT01-12030	RG04-235 ...17	RRH14355...23	TA1200.....37
374434	BP01-28512	BP07-1758	CP02-04045	LT01-20030	RG04-250 ...17	SP01-020 ...20	TA900A.....37
378433	BP01-30112	BP07-1858	CP02-05045	LT01-21030	RG04-255 ...17	SP01-040 ...20	TF01-15043
381344UB ...20	BP01-30612	BP07-1908	CP02-06045	LT01-22030	RG04-260 ...17	SP01-060 ...20	TF01-22543
382144UB ...20	BP01-31112	BP07-1958	CP02-09045	LT01-23030	RG04-265 ...17	SP01-080 ...20	TF01-25043
382385UB ...20	BP02-1709	BP07-2258	CP02-11045	LT01-30030	RG04-270 ...17	SP01-100 ...20	TF02-15043
383384UB ...20	BP02-1809	BP07-2408	CP02-12045	LT02-02031	RG04-275 ...17	SP01-120 ...20	TF02-22543
385434	BP02-2249	BP08-07010	DB-325	LT02-02531	RG04-280 ...17	SP01-140 ...20	TF02-25043
386433	BP02-2289	BP08-08010	EB01-1003	LT02-03031	RG04-285 ...17	SP01-160 ...20	TLC51035
390433	BP02-2309	BP08-12010	EB01-1053	LT02-03531	RG04-290 ...17	SP03-020 ...19	TLC51335
622043	BP02-2409	BP08-15010	EB01-1203	LT02-10031	RG05-020 ...18	SP03-040 ...19	TM3125
628043	BP02-3039	BP08-15510	EB01-1253	LT02-10531	RG05-040 ...18	SP03-060 ...19	TM3225
7162184UB.20	BP02-3059	BP08-18010	FN01-10046	LT03-10031	RG05-060 ...18	SP03-100 ...20	TX430-343
7163183UB.20	BP02-3159	BP10-04010	FN01-10546	LT03-10531	RG05-080 ...18	SP03-105 ...20	WFH3RK45
7163184UB.20	BP02-3259	BP10-04510	FN02-10046	LT03-12531	RG05-100 ...18	SP03-200 ...19	
7164183UB.20	BP02-3279	BP10-06010	FN02-10546	LT03-13531	RG06-010 ...17	SP03-205 ...19	
8091014	BP02-3289	BP10-08010	FN03-10046	LT03-19031	RG06-020 ...17	SP04-020 ...19	
80910-T14	BP02-3309	BP10-11010	HBC-1B24	LT04-10031	RG06-050 ...17	SP04-021 ...19	
84545BX.....16	BP02-3409	BP10-12010	HBC-1R24	LT04-10531	RG06-070 ...17	SP04-040 ...19	
84550BX.....16	BP04-0404	BP10-13511	HBC-1S24	LT04-12531	RG06-090 ...17	SP04-051 ...19	
ADP62436	BP04-0506	BP10-13611	HP1224	LT04-13531	RG07-040 ...16	SP04-060 ...19	
ADP724RV...36	BP04-0606	BP10-14511	HP58324	LT05-10032	RG07-045 ...17	SP04-080 ...19	
ADP725RV...36	BP04-0654	BP10-14611	HW01-00541	LT05-10531	RRH12094...22	SP05-020 ...19	
ADP726RV...36	BP04-0904	BP10-15011	HW01-02041	LT05-12532	RRH13008...22	SP05-040 ...19	
ADP764RV...36	BP04-1004	BP10-16011	HW01-02541	LT05-20032	RRH13013...23	SP05-060 ...19	
APS320	BP04-1206	BP10-22011	HW01-03040	LT05-30032	RRH13016...22	SP05-080 ...19	
APS3SE20	BP04-1236	BP13-02011	HW01-03540	LT06-100 30,31,32	RRH13019...23	SP06-110 ...19	
APS520	BP04-1266	BP13-02211	HW01-04040	LT06-105 31, 32	RRH13020...22	SP06-115 ...19	
APT520	BP04-1504	BP15-01513	HW01-05040	LT06-11032	RRH13021,22,23	SP06-120 ...19	
				LT06-200 30,31,32		SP06-130 ...19	



Your Local Redline Dealer Is

Redline Products, LLC assumes no liability in regard to product condition, quality, warranty, or fitness for a particular purpose. Warranty claims against Redline Products, LLC shall be restricted to replacement of the faulty product.

WARRANTY DISCLAIMERS. ANY WARRANTY PROVIDED ON A REDLINE PRODUCTS, LLC PRODUCT IS PROVIDED BY THE MANUFACTURER OF THE RESPECTIVE PRODUCT AND MAY VARY FROM PRODUCT TO PRODUCT. REDLINE PRODUCTS, LLC DOES NOT MAKE ANY EXPRESS OR IMPLIED WARRANTIES ON THE PRODUCTS EXCEPT THOSE INCLUDED IN THE MANUFACTURER'S WARRANTY STATEMENTS SHIPPED WITH THE PRODUCTS. THOSE MANUFACTURER WARRANTY STATEMENTS ARE THE EXCLUSIVE CONTROLLING TERMS AND CONDITIONS OF THE LIMITED WARRANTIES FOR REDLINE PRODUCTS, LLC'S PRODUCTS, AND THERE ARE NO WARRANTIES FOR SERVICES. NOTHING IN THIS AGREEMENT OR ANY OTHER WRITTEN DOCUMENTATION OR ANY ORAL COMMUNICATIONS WITH CUSTOMER MAY ALTER THE TERMS AND CONDITIONS OF THE MANUFACTURER WARRANTY STATEMENTS OR REDLINE PRODUCTS, LLC'S DISCLAIMER OF WARRANTY. NO CHANGE IN ANY MANUFACTURER WARRANTIES WILL AFFECT PRODUCTS ALREADY ORDERED BY CUSTOMER. REDLINE PRODUCTS, LLC DISCLAIMS ALL OTHER WARRANTIES, EXPRESS OR IMPLIED, INCLUDING WITHOUT LIMITATION, ANY IMPLIED WARRANTIES OF MERCHANTABILITY AND FITNESS FOR A PARTICULAR PURPOSE.

Information in this catalog is subject to change without notice. While current at the time of publication, Redline Products, LLC, reserves the right to revise, delete, replace, or otherwise improve products shown in this catalog.



746 N. Dickerson Court
Springfield, Missouri 65803
417-866-6956
Fax: 417-832-1549
www.redline-parts.com

Copyright © 2006, Redline Products, LLC. ALL RIGHTS RESERVED.

No part of this work may be reproduced or transmitted in any form by any means, electronic or mechanical, including photocopying and recording, or by an information storage or retrieval system, without the express written permission from the publisher.

Printed in the USA