



2017-18 Product Catalog

- ◆ **Hardware**
- ◆ **Parts**
- ◆ **Accessories**

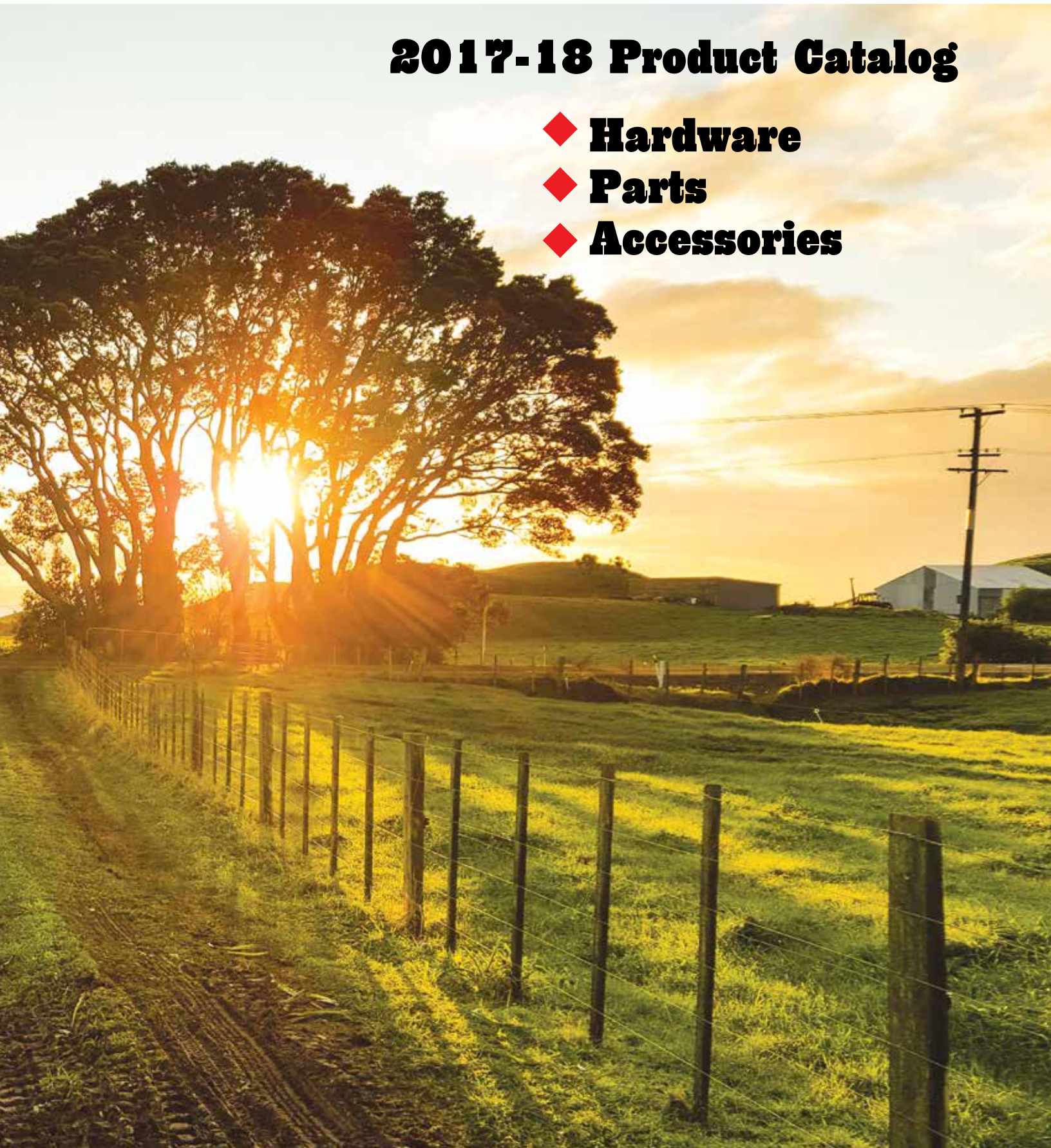


Table of Contents

Introduction	4
Three-Point Hitch	5
Linkage	
Forged Top Links	6
Top Link Repair Ends	7
Top Link Ball Sockets	8
Lift Arm Ball Sockets	9
Forged Weld-on Ball Ends	10
Top Link & Lift Arm Replacement Balls	11
Top Link Reducer Bushings	12
Lift Arm Reducer Bushings	12
Drawbars	13
Check Chain Clevis	13
Lift Arms and Lift Arm Parts	14
Stabilizer Pins.....	14
Stabilizer Arms, Brackets and Chains	15
Draw Pins (Lift Arm Pins)	16
Clevis Type Draw Pins	17
Top Link Pins.....	17
Hitch Pins (Clevis Pins).....	18
Fixed Handle Hitch Pins.....	18
Swivel Handle Forged Hitch Pins.....	19
Forged Hitch Pins with Chain.....	19
Grey Head forged Hitch Pins	20
Blue Head Hitch Pins	20
Red Head Hitch Pins.....	21
Safety-Lock Hitch Pins	21
Handle-Lock Hitch Pins	22
Single Lock Hitch Pins	22
Drop Forged Hitch Pins	23
Premium Hitch Pins	23
Bent Hitch Pins.....	24
Universal Clevis Pins.....	24
Twist Clip Pins.....	25
“R” Clip Pins	25
Detent Pins	26
Lynch Pins	27
Hardware & Accessories	
Steering Wheel Spinners.....	28
Hydraulic Cylinder Pins.....	28
Cylinder Stroke Control Segments	29
Kentucky Cow Bells and Long Distance Cow Bells	30
Premium Bells	30
Stake Pocket.....	31
Hydraulic Reservoir.....	31
Shaft Set Collars	32
Hitch Balls	33
Tool Boxes	33
Hay Hooks	34
Harrow Teeth	34
PTO Adapters & Accessories	35
PTO Accessories	36
Lock Pins	36
Straight, Twisted and General Purpose Clevises	37
Screw and Utility Clevises.....	38
Mid Links	39
Tractor Drawbar Grab Hooks	39
T-Handle Clevis Pins.....	39

Gates & Fencing	
Hinge Straps and Hinge Clamps	40
Screw Hooks (Bolt Hooks)	40
Hinge Bolts	41
Gate Latches	41
Gate Anchor.....	41
Gate Wheels.....	42
Gate Hinges	42
Gate Closers	43
Barbed Wire Carrier.....	43
Wire Gripper.....	43
Fence Post Pounders.....	44
Fence Post Pullers.....	44
Wire Stretchers	45
Sprockets, Pulleys & Chains	
Sprockets for #40 Chain-1/2" Pitch	46
Sprockets for #50 Chain-5/8" Pitch	47
Sprockets for #60 Chain-3/4" Pitch	48
Idler Sprockets	49
Weld-on Hubs.....	50
Idler Hubs	51
Pulleys for A & B Belts	52
Pulleys for C belts	52
Flat Type Idler Pulleys	53
V-Type Idler Pulleys	53
Bushings & Plugs for Idler Pulleys	53
Roller Chain.....	54
Roller Chain Breakers	54
Connecting Links and Offset Links	55
Hydraulic Pumps	56
Cylinders, Valves & Hoses	57
Trailer Jacks	
Trailer Jacks	58
Trailer Jack Replacement Parts	60
Ratchet Jacks	61
Hitches	
Quick Hitches	62
Quick Hitch Parts and Accessories	63
Drag Harrows	64
Equestrian Products	
Manure Spreader	64
Easy-Tie	64
Post Hole Digger Augers	65
Auger Replacement Parts	66
All-Terrain Barrow	67
RanchEx Packaging	68
RanchEx Planogram	69
Part # / UPC Reference	70

Introduction

RanchEx is committed to bringing the best quality, most durable and affordable replacement parts, equipment, tools and accessories possible to the retail market. We design and engineer all of our products in-house in Colorado.

RanchEx products include: tractor/hitch parts and accessories, fencing equipment and accessories, power tools, equine supplies and more. In addition to quality parts, RanchEx sells a complete line of log splitters, chain saws, post hole diggers, generators, pumps and agricultural implements.

Our sole focus is to make tough jobs easier and affordable. We do this by providing the industry's best designs, competitive costs, and top notch customer service. Our products proudly serve rural and urban markets including farmers, ranchers, gardeners and general industrial applications.

RanchEx products are sold in many fine retail and internet channels in North America.

Three-Point Hitch

History

Harry Ferguson patented the three-point "linkage" for agricultural tractors in Britain in 1926. The three-point hitch prevents the tractor from flipping backwards if the implement being dragged hits a rock or other obstruction.

Before the 1940s, each tractor manufacturer used their own system for "hitching", or attaching implements to tractors. The two-point hitch system was most commonly used. Farmers would have to purchase the same brand implements as their tractor to be able to correctly hook up an implement. If a farmer needed to use a different brand implement than the tractor, an adaptation kit, which was clumsy, ill-fitting or unsafe, had to be installed.

In the 1960s, tractor and implement manufacturers eventually agreed on the three-point hitch as the one standard system to hitch implements to tractors. Now, nearly all manufacturers have adopted some standardized form of the modern three-point hitch system. Many companies also offer safe adaptation kits for converting the non-standard hitch systems to the three-point hitch system.

Hitch Categories

There are five different hitch sizes, called categories. The higher category hitches have sturdier lift arms and larger connector pins. There is some flexibility in the tractor hp at which one category hitch ends and the next begins.

Category	Tractor Max PTO HP	Top Link Pin Diameter	Lift Arm Pin Diameter	Standard Lift Arm Spacing
0	Up to 48	58"	58"	20"
1	Up to 92	34"	78"	26"
2	80 to 185	1"	1-1/8"	32"
3	150 - 350	1-1/4"	1-7/16"	38"
4	180 - 400+	1-3/4"	2"	46"

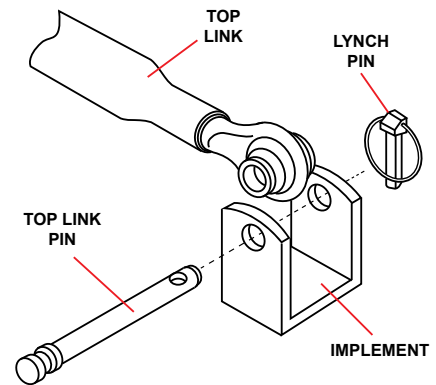
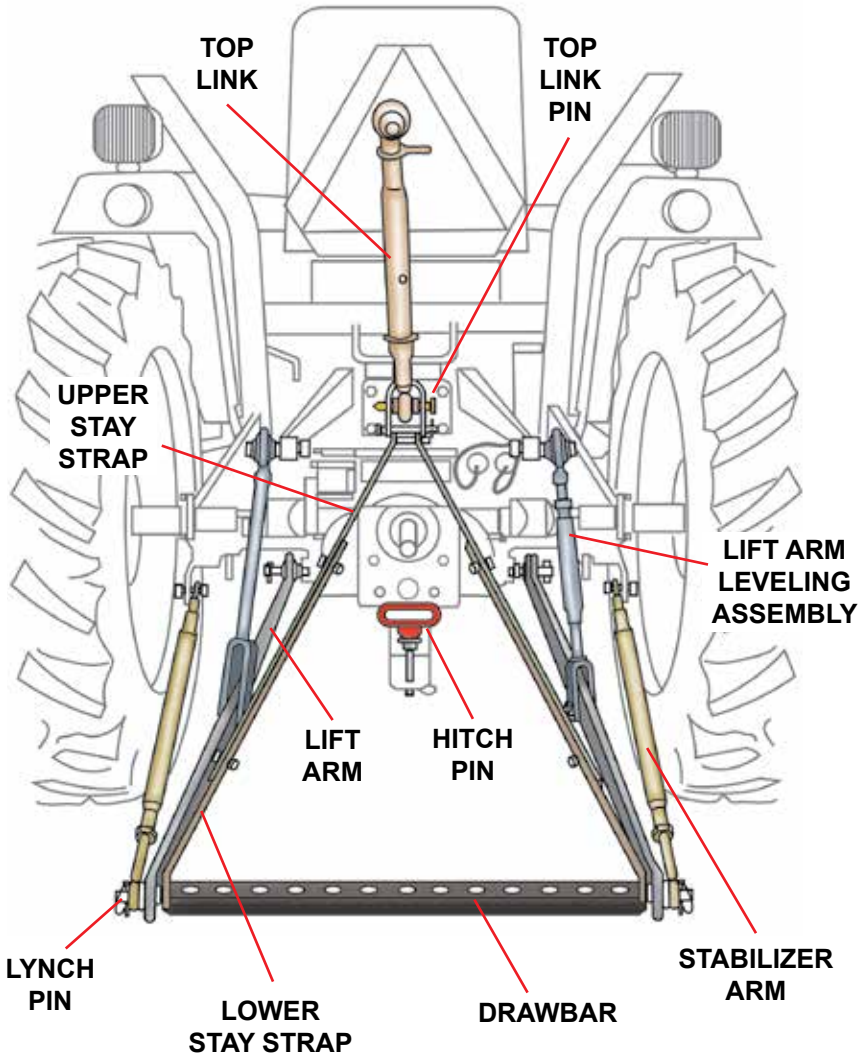
Three-Point Hitch

A three point hitch attaches the implement to the tractor so that the orientation of the implement is fixed with respect to the tractor and the arm position of the hitch. The tractor carries some or all of the weight of the implement. The other main mechanism for attaching a load is through a drawbar, a single point, pivoting attachment where the implement or trailer is not in a fixed position with respect to the tractor.

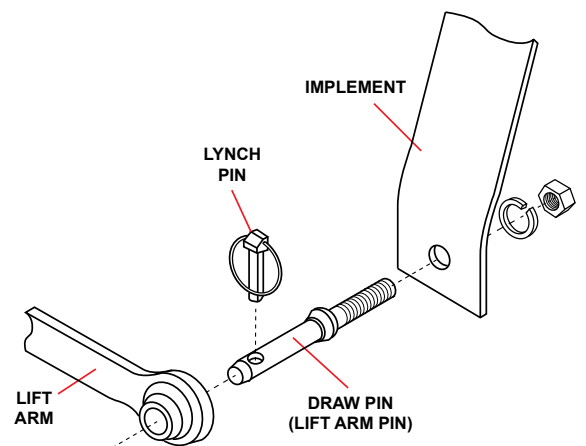
The three-point hitch is made up of several components working together. These include the

tractor's hydraulic system, attaching points, the lifting arms, and stabilizers.

Three-point hitches are composed of three movable arms. The two lower arms, the hitch lifting arms, are controlled by the hydraulic system, and provide lifting, lowering, and even tilting to the arms. The upper center arm, called the top link, is movable, but is usually not powered by the tractor's hydraulic system. Each arm has an attachment device to connect implements to the hitch.



Top Link to Implement Connection

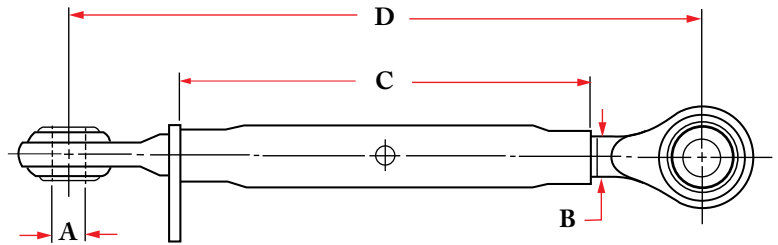


Lift Arm to Implement Connection

Forged Top Links



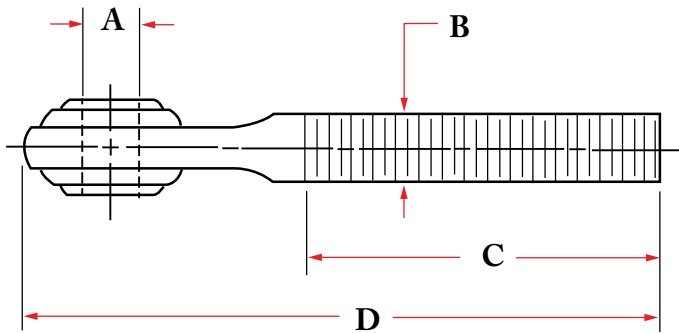
Quality forged top links available in Category 0, 1, 1 and 2 combination, 2, and 3 sizes. Top links are yellow zinc plated.



SKU/Part#	Cat.	A Pin Hole Diameter	B Thread Diameter	C Body Length	D Closed Length	Open Length	Repair End Left	Repair End Right	Color	Weight (lbs.)
102000	0	5/8"	3/4" NC	9-1/2"	13"	18"	102017	102016	Plated	2.7
102001	0	5/8"	3/4" NC	7-5/8"	11"	16"	102017	102016	Plated	2.5
102002	1	3/4"	1-1/8" NC	13-1/4"	17"	26"	102018	102019	Plated	7.4
102003	1	3/4"	1-1/8" NC	16"	21"	28"	102018	102019	Plated	7.6
102004	1	3/4"	1-1/8" NC	20"	25"	35"	102018	102019	Plated	9.1
102005	1	3/4"	1-1/8" NC	24"	29"	39"	102018	102019	Plated	8.9
102006	1	3/4"	1-1/8" NC	11-1/4"	16"	23"	102018	102019	Plated	6.8
102007	1 & 2	3/4" & 1"	1-1/8" NC & 1-1/4" NC	16"	21"	32"	102018 or 102023	102019 or 102022	Plated	9.1
102008	1 & 2	3/4" & 1"	1-1/8" NC & 1	20"	24-3/4"	35"	102018	102022	Plated	9.1
102009	2	1"	1-1/8" NC	16"	21"	31"	102023	102022	Plated	10
102010	2	1"	1-1/8" NC	20"	25"	37"	102023	102022	Plated	10
102011	2	1"	1-1/4" NC	15-3/4"	20"	30"	102020	102021	Plated	10.7
102012	2	1"	1-1/4" NC	16"	23"	32"	102020	102021	Plated	12
102013	2	1"	1-1/4" NC	20"	27"	37"	102020	102021	Black	12.6
102014	2	1"	1-1/4" NC	16"	23"	32"	102020	102021	Black	13.4
102015	3	1-1/4"	1-3/8" NC	19-1/2"	26"	35"	102025	102024	Black	20

Top Link Repair Ends

Clear zinc plated, forged steel and welded screw-in repair ends for Category 0, 1, 2 and 3 top links.

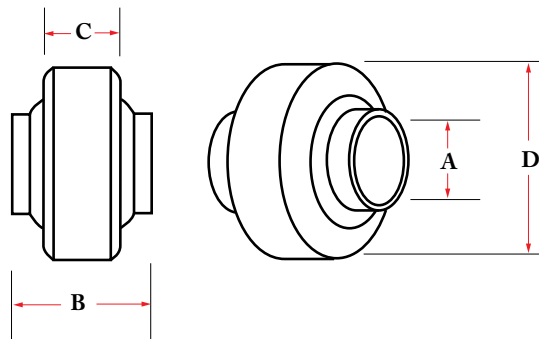


SKU/Part#	Cat.	Type	A Pin Hole Diameter	B Thread Diameter	C Thread Length	D Overall Length	Fits RanchEx Top Link	Weight (lbs.)
102016	0	Forged	5/8"	3/4" NC (RH)	3-1/2"	6"	102000, 102001	0.8
102017	0	Forged	5/8"	3/4" NC (LH)	3-1/2"	6"	102000, 102001	0.8
102018	1	Forged	3/4"	1-1/8" NC (LH)	6"	10"	102003, 102004 102005, 102002 102007	2.4
102019	1	Forged	3/4"	1-1/8" NC (RH)	6"	10"	102003, 102004 102005, 102002 102007	2.4
102020	2	Forged	1"	1-1/4" NC (LH)	5-1/2"	10"	102012, 102014 102011, 102013 102009	3.0
102021	2	Forged	1"	1-1/4" NC (RH)	5-1/2"	10"	102012, 102014 102011, 102013 102009	3.0
102022	2	Forged	1"	1-1/8" NC (LH)	6-1/2"	11"	102009, 102007	3.0
102023	2	Forged	1"	1-1/8" NC (RH)	6-1/2"	11"	102009, 102007	3.0
102024	3	Forged	1-1/4"	1-3/8" NC (LH)	7-1/4"	12-1/8"	102015	8.0
102025	3	Forged	1-1/4"	1-3/8" NC (RH)	7-1/4"	12-1/8"	102015	8.0

Top Link Ball Sockets

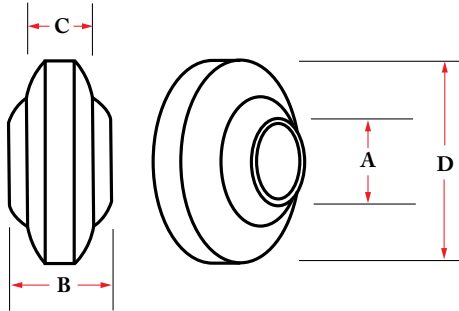


Weld-on top link ball sockets to fit Category 0 through Category 3 tractors. Available in black oxide and yellow zinc dichromate plated versions.



SKU/Part#	Cat.	Description	A Pin Hole Diameter	B Length Thru Bore	C Sleeve Width	D Sleeve O.D.	Weight (lbs.)
102026	0	Standard Duty: Plated	5/8"	1"	3/4"	2"	0.6
102027	1	Standard Duty: Black Oxide	3/4"	1-5/8"	3/4"	2"	0.6
102028	1	Standard Duty: Plated	3/4"	1-5/8"	3/4"	2"	0.6
102029	1	Heavy Duty: Black Oxide	3/4"	1-5/8"	7/8"	2-1/8"	0.7
102030	1	Heavy Duty: Plated	3/4"	1-5/8"	7/8"	2-1/8"	0.7
102031	1 & 2	Standard Duty: Black Oxide	3/4" & 1"	1-1/2" & 1-1/4"	7/8"	2-3/8"	0.6
102032	3	Standard Duty: Black Oxide	1"	1-3/4"	7/8"	2-3/8"	0.8
102033	2	Standard Duty: Plated	1"	1-3/4"	7/8"	2-3/8"	0.8
102034	2	Standard Duty: Black Oxide	1"	1-1/4"	7/8"	2-3/8"	0.8
102035	2	Standard Duty: Plated	1"	1-1/4"	7/8"	2-3/8"	0.8
102036	2	Heavy Duty: Black Oxide	1"	1-3/4"	1-3/16"	2-3/4"	1.8
102037	3	Standard Duty: Black Oxide	1-1/4"	1-3/4"	1-9/32"	3-1/8"	1.8

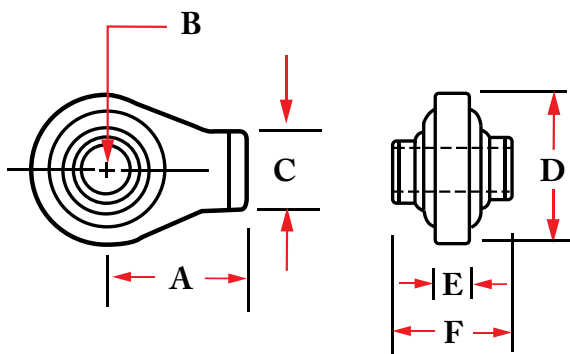
Weld-on lift arm ball sockets to fit Category 0 through Category 3 tractors. Available in black oxide and yellow zinc dichromate plated versions.



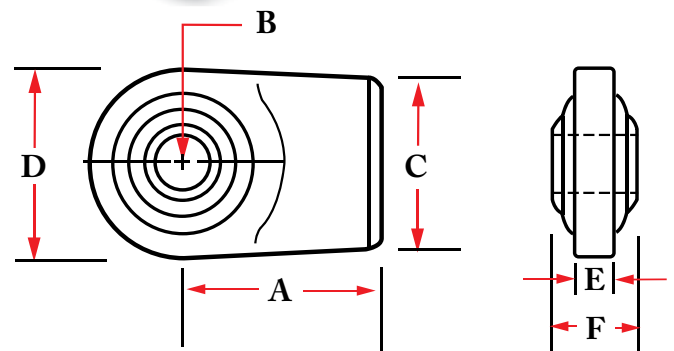
SKU/Part#	Cat.	Description	A Pin Hole Diameter	B Length Thru Bore	C Sleeve Width	D Sleeve O.D.	Weight (lbs.)
102038	0	Standard Duty: Black Oxide	5/8"	1"	3/4"	2"	0.6
102039	1	Standard Duty: Black Oxide	7/8"	1-3/8"	7/8"	2-3/8"	0.9
102040	1	Standard Duty: Plated	7/8"	1-3/8"	7/8"	2-3/8"	0.9
102041	1 & 2	Heavy Duty: Black Oxide	7/8" & 1-1/8"	1-3/4" both	1-3/16"	2-3/4"	1.4
102042	1 & 2	Extra Heavy Duty: Plated	7/8" & 1-1/8"	1-3/4" both	1-3/8"	3-1/8"	1.7
102043	2	Standard Duty: Black Oxide	1-1/8"	1-5/16"	15/16"	2-3/8"	0.8
102044	2	Standard Duty: Plated	1-1/8"	1-5/15"	15/16"	2-3/8"	0.8
102045	2	Extra Heavy Duty: Black Oxide	1-1/8"	1-3/4"	1-3/8"	3-1/8"	1.9
102046	2	Extra Heavy Duty: Plated	1-1/8"	1-3/4"	1-3/8"	3-1/8"	1.9
102047	3	Standard Duty: Black Oxide	1-7/16"	1-3/4"	1-11/16"	3-1/2"	2.4

Forged Weld-on Ball Ends

High-quality, weld-on top link and lift arm ball sockets in Category 1, 2 and 3. Lift arm ends are available in straight and bent styles.



Top Link End

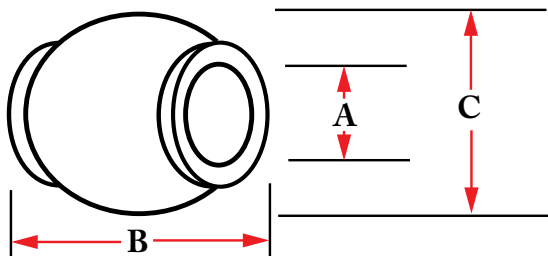


Lift Arm Ball Socket

SKU/Part#	Cat.	Description	A	B	C	D	E	F	Weight (lbs.)
102048	1	Top link end	2"	3/4"	1-1/8"	2-1/4"	1/2"	1-3/4"	0.9
102049	2	Top link end	2-3/8"	1"	1-1/8"	2-5/8"	1/2"	2"	1.4
102050	1	Lift arm end-straight	2-3/4"	7/8"	2-3/8"	2-5/8"	5/8"	1-3/8"	1.7
102051	2	Lift arm end-straight	3-1/8"	1-1/8"	2-3/4"	3-1/8"	3/4"	1-3/4"	2.8
102052	1	Lift arm end-bent	4"	7/8"	1-7/8"	2-5/8"	5/8"	1-3/8"	2.0
102053	2	Lift arm end-bent	4"	1-1/8"	1-7/8"	3-1/8"	5/8"	1-3/4"	2.7
102054	3	Lift arm end-straight	3-3/8"	1-7/16"	3"	3-1/2"	3/4"	1-3/4"	3.0

Top Link & Lift Arm Replacement Balls

Top link and lift arm balls for Ford, John Deere, Oliver, and other tractors. Designed to replace original balls. Yellow zinc dichromate plated.



SKU/Part#	Cat.	Description	A Pin Hole Diameter	B Length Thru Bore	C Ball Diameter	Weight (lbs.)
102055	1	John Deere & Oliver top link ball; replaces Deere F2680, Oliver 105968A	3/4"	1-3/4"	2"	0.9
102056	2	John Deere & Oliver top link ball; replaces Deere F2681, Oliver 104585A	1"	1-3/4"	2"	0.8
102057	1	Ford lift arm ball; replaces Ford DDN995253; fits Ford 5000	7/8"	1-3/8"	2-1/4"	1.1
102058	2	Ford lift arm ball; replaces Ford C5NN557A; fits Ford 3000, 4000, 5000	1-1/8"	1-3/4"	2-1/4"	1.1
102059	1	Oliver lift arm ball; replaces Oliver 105967A; fits models with claw type lift arm	7/8"	1-3/8"	2"	0.7
102060	2	Oliver lift arm ball; replaces Oliver 104591A; fits all models with claw type lift arm	1-1/8"	1-3/4"	2"	0.8
102061	2	Ford lift arm ball; narrow width; replaces C5NN557B	1-1/8"	1-3/8"	2-1/4"	0.9

Top Link Reducer Bushings



Used in the pin hole of a top link to allow a smaller category pin to fit. Yellow zinc dichromate plated.

SKU/Part#	Cat.	Description	Outside Diameter	Inside Diameter	Length	Weight (lbs.)
102062	0-1	Fits all Cat. 0 top link pins	3/4"	5/8"	1-5/8"	0.1
102063	1-2	Fits all Cat. 1 top link pins; replaces Ford C7NN6993A	1"	3/4"	1-5/8"	0.2
102064	1-2	Fits all Cat. 1 top link pins; short	1"	3/4"	1-5/16"	0.2
102065	2-3	Fits all Cat. 2 top link pins	1-1/4"	1"	1-5/8"	0.2

Lift Arm Reducer Bushings

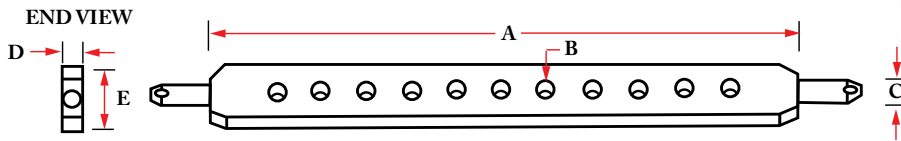


Used in the pin hole of a lift arm to allow a smaller category pin to fit. Yellow zinc dichromate plated.

SKU/Part#	Cat.	Description	Outside Diameter	Inside Diameter	Length	Weight (lbs.)
102066	0-1	Fits all Cat. 0 lift arm pins	7/8"	5/8"	1-3/8"	0.1
102067	1-2	Fits all Cat. 1 lift arm pins; replaces Ford C7NN6992A	1-1/8"	7/8"	1-3/4"	0.2
102068	1-2	Fits all Cat. 1 lift arm pins; replaces John Deere F2684	1-1/8"	7/8"	1-3/8"	0.2
102069	2-3	Fits all Cat. 2 lift arm pins	1-7/16"	1-1/8"	1-3/4"	0.3
102070	2-3	Fits all Cat. 2 lift arm pins; extra long	1-7/16"	1-1/8"	3-1/4"	0.5
102071	2-3	Fits all Cat. 2 lift arm pins; lynch 15/32" pin hole	1-7/16"	1-1/8"	2-1/2"	0.4
102072	2-3	Fits all Cat. 2 lift arm pins	1-7/16"	1-1/8"	2-3/4"	0.5
102073	1	Adapter Bushing for Cat. 1 Quick Hitch	1-1/8"	7/8"	4"	1.5
102074	1	Quick hitch adapter bushing kit	1-1/8"	7/8"	4"	3.0
102075	2	Adapter Bushing for Cat. 2 Quick Hitch	1-7/16"	1-1/8"	4"	1.0
102076	2	Quick hitch adapter bushing kit	1-7/16"	1-1/8"	4"	2.2

Drawbars

One piece 3-point hitch cross drawbars to fit Category 0 through Category 3 tractors.



SKU/Part#	Cat.	Number of Holes	A Lift Arm Spacing	B Hole Diameter	C Pin Diameter	D Thickness	E Width	Color	Weight (lbs.)
102077	0	7	20"	5/8"	5/8"	3/4"	2"	Black	6.8
102078	0/1	7	20"	3/4"	7/8"	1"	2-1/2"	Black	13.5
102079	1	11	26"	3/4"	7/8"	1"	2-1/2"	Black	16.4
102080	1	11	26"	3/4"	7/8"	1-1/8"	2-1/2"	Black	19.0
102081	2	11	26"	3/4"	1-1/8"	1-1/4"	3"	Black	27.0
102082	2	13	32"	3/4"	1-1/8"	1-1/4"	3	Black	33.0
102083	3	5	38"	1-1/2"	1-7/16"	1-3/4"	3-1/2"	Black	65.0

SKU/Part#	Description	Color	Weight (lbs.)
102084	Swinging drawbar, 30" overall length 3/4" first hitch pin hole, 5/8" second	Black	16.0
102085	Drawbar lock for Cat. 1 tractors prevents drawbar from rotating	Black	4.0



Check Chain Clevis

SKU/Part#	Description	Weight (lbs.)
102086	Check chain clevis eye bolt fastens to lift arms; replaces Ford NCB660A; fits Ferguson 20 & 30 w/ 9/16" NF hex nut	0.4
102087	Check chain clevis fastens to tractor; replaces Ford 9N582; fits MF 20, 30, 35, 40, 50	0.1



Lift Arms & Parts



Category 1 lift arms and Category 1, 2, and 3 lift arm repair ends. Also see Forged Weld-on Ball Ends, page 10.

SKU/Part#	Description	Weight (lbs.)
102088	Category 1 right or left forged lift arm; fits all Ferguson models, Ford 2N, 8N, 9N, NAA, Massey-Ferguson 35, 50, Oliver 550 and Oliver 3-point conversion, John Deere 1010; 7/8" pin holes; 31-3/4" ball centers; 34-1/2" overall length, black	11.7
102050	Category 1 forged right or left hand straight lift arm repair end; 7/8" pin hole; 4" overall length	1.6
102052	Category 1 forged bent lift arm repair end; 7/8" pin hole; 5-3/8" overall length	2.0
102053	Category 2 forged bent lift arm repair end; 1-1/8" pin hole; 5-1/2" overall length	2.7
102051	Category 2 forged right or left straight lift arm repair end; 1-1/8" pin hole; 5" overall length	2.8
102054	Category 3 forged straight lift arm repair end; 1-7/16" pin hole; 5-3/8" overall length	3.0
102094	Category 1 lift arm leveling assembly; 18-1/2" closed, 25" open length; 7/8" NF thread diameter; replaces Ford NCA577A	6.0

Stabilizer Pins

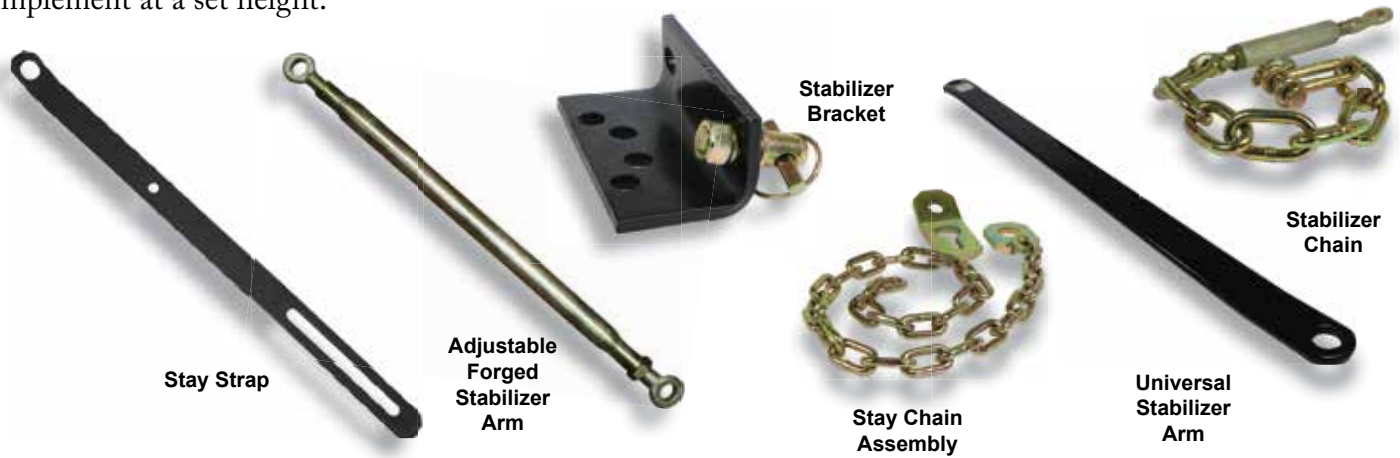
Stabilizer stub pins for Ford, Ferguson, and other stabilizer kits. Yellow zinc dichromate plated.

SKU/Part#	Pin Diameter	Usable Length	Overall Length	Thread Diameter	Weight (lbs.)
102095	7/8"	1/2"	3-1/4"	7/8" NF	0.8
102096	7/8"	3/8"	2-5/8"	5/8" NF	0.3
102097	7/8"	3/8"	2-5/8"	5/8" NF	0.3
102098	7/8"	1-1/4"	3-1/8"	5/8" NF	0.4
102099	7/8"	1-1/4"	3-1/8"	5/8" NF	0.3
102100	7/8"	1/2"	2-5/8"	5/8" NF	0.3
102101	7/8"	1/2"	2-5/8"	5/8" NF	0.3
102102	7/8"	11/16"	3-1/8"	3/4" NF	0.4



Stabilizer Arms, Brackets & Chains

Replacement stabilizer arms for a variety of tractors.
 Stabilizer arms increase the stability of the tractor lift arms.
 Stay straps for Category 1 tractors are used to maintain an implement at a set height.



SKU/Part#	Description	Weight (lbs.)
102103	Upper stay strap for Category 1; fits all Ferguson models; Ford 2N, 8N, 9N, NAA 600, 700, 800, 900; Oliver 550 and all Oliver 3-point conversions. Massey-Ferguson 35 and 50; black	2.8
102104	Lower stay strap for Category 1; fits all Ferguson models; Ford 2N, 8N, 9N, NAA 600, 700, 800, 900; Oliver 550 and all Oliver 3-point conversions. Massey-Ferguson 35 and 50; black	2.4
102105	Stay chain assembly; fits Category 1 pins; fastens to top link pin on tractor and to lift arm pin on equipment; requires two per tractor, yellow zinc plated	3.2
102106	Right or left universal stabilizer arm; 7/8" pin holes on 31-9/16" centers; black	6.0
102107	Right or left universal stabilizer arm; replaces Massey-Ferguson ST96362358; black	6.4
102108	Heavy duty adjustable forged stabilizer arm; fits all Ferguson models; Ford 2N, 8N, 9N, NAA, 600, Massey-Ferguson 35, 50, 175, 65, 135, 150, 165, 189; adjustable from 28-1/2" to 36"; 7/8" pin holes; 7/8" NF threads; yellow zinc plated	6.0
102109	Left stabilizer arm; fits Ford 2000 and 3000; 7/8" pin holes on 31-9/16" centers, black	6.0
102110	Right stabilizer arm; fits Ford 2000 and 3000; 7/8" pin holes on 31-9/16" centers, black	6.0
102111	Universal stabilizer arm; 7/8" pin holes on 31-9/16" and 33-1/8" centers, black	6.1
102112	Right or left universal stabilizer bracket; accommodates Part #102096 stabilizer pin; black	3.0
102113	Stabilizer bracket assembly includes stabilizer bracket, lynch pin, and a stabilizer pin	3.7
102114	Pair of universal stabilizer chains for most Category 1 applications; yellow zinc plated	14.0

Draw Pins (Lift Arm Pins)



Forged and adjustable Category 0 through 3 draw pins for a variety of applications, yellow zinc dichromate plated.

SKU/Part#	Cat.	Description	Pin Diameter	Usable Length	Overall Length	Thread Diameter	Thread Length	Weight (lbs.)
102115	0	Adjustable, universal	5/8"	Adjustable	3-7/8"	5/8" NF	2"	0.4
102116	0	Forged, universal	5/8"	1-7/16"	3-7/8"	5/8" NF	1-1/8"	0.4
102117	0 to 1	For Category 0 implements on Category 1 tractor, adjustable	7/8"	1-3/4"	4-1/2"	5/8" NF	2"	0.6
102118	1 to 0	For Category 1 implements on Category 0 tractor, adjustable	5/8"	2"	5"	7/8" NF	2-1/4"	0.6
102119	1	Adjustable, universal	7/8"	Adjustable	5"	7/8" NF	2-5/8"	1.1
102120	1	Forged, universal	7/8"	1-3/4"	5-1/2"	7/8" NF	1-5/8"	1.1
102121	1	Adjustable, universal, extra long	7/8"	Adjustable	6-1/4"	7/8" NF	3-1/2"	1.3
102122	1	Forged, extra long	7/8"	2-1/4"	6-1/2"	7/8" NF	2-1/4"	1.3
102123	1	Forged; replaces Ford 103283, MF662459M1, MF00955-7-7/8	7/8"	2"	5"	5/8" NF	1-1/2"	0.9
102124	1	Forged; replaces Ford 131010, 195425M1, D0955-4-1/2	7/8"	1-3/4"	4-1/2"	5/8" NF	5/8"	0.8
102125	1 to 2	Forged; extra long, use for Cat. 1 implements on Cat. 2 tractor	1-1/8"	2-1/4"	6-5/16"	7/8" NF	2-1/4"	1.5
102126		Blank without nut						
102127	1 to 2	Forged; use for Cat. 1 implements on Cat. 2 tractor	1-1/8"	1-13/16"	5-1/4"	7/8" NF	1-5/8"	1.5
102128	1 & 2	Forged, universal	1-1/8" & 7/8"	2-1/16" Both	8"	1" NF	1-1/4"	1.9
102129	2	Adjustable, universal	1-1/8"	Adjustable	6-1/8"	1-1/8" NF	3-3/8"	2.3
102130	2	Forged, universal	1-1/8"	1-3/4"	6-1/8"	1-1/8" NF	2-3/8"	2.3
102131	2 to 1	Forged, use for Cat. 2 implements on Cat. 1 tractor	7/8"	1-3/4"	5-3/4"	1-1/8" NF	2-3/8"	1.8
102132	2 to 3	Adjustable, use for Cat. 2 implements on Cat. 3 tractor	1-7/16"	Adjustable	6-1/2"	1-1/8" NF	3-3/8"	2.9
102133	2 to 3	Forged; use for Cat. 2 implements on Cat. 3 tractor	1-7/16"	1-7/8"	5-3/4"	1-1/8" NF	1-1/2"	3.0
102134	3	Forged, universal	1-7/16"	2"	5-7/8"	1-3/8" NF	1-1/2"	3.5

Clevis Type Draw Pins

For use with yoke type mountings, yellow zinc dichromate plated.

SKU/Part#	Cat.	Type	Pin Diameter	Usable Length	Overall Length	Weight (lbs.)
102135	1	Roll Pin	7/8"	4-1/2"	6"	0.9
102136	2	Roll Pin	1-1/8"	3-5/16"	4-3/4"	1.2
102137	2	Roll Pin	1-1/8"	4-3/4"	6-1/2"	1.7
102138	2	Roll Pin	1-1/8"	5-3/8"	7"	1.9
102139	2	Roll Pin	1-1/8"	7-3/8"	9"	2.4
102140	2	Roll Pin	1-1/8"	9"	10-3/4"	2.9
102141	3	Head	1-7/16"	4-11/16"	6"	2.8
102142	3	Roll Pin	1-7/16"	6-1/4"	7-3/4"	3.8
102143	2 & 3	Head	1-1/8" & 1-7/16"	3-5/8" & 4-1/4"	9-1/4"	3.4
102144	2	Head	1-1/8"	5"	6"	1.6
102145	1 & 2	Head	7/8"	3-1/4" & 4-1/2"	9-1/4"	2.0
102146	1	Head	7/8"	4"	5-1/4"	0.9



Head Type



Roll Pin Type



Part #102143
for Cat. 2 & 3

Top Link Pins

Sizes and styles for Category 0 through 3 tractors, yellow zinc dichromate plated.



SKU/Part#	Cat.	Description	Pin Diameter	Usable Length	Overall Length	Weight (lbs.)
102147	0	Top link pin	5/8"	3"	4-7/16"	0.4
102148	1	Replaces Ford 9N-560, Ferguson 195647M1	3/4"	2-3/4"	4-1/2"	0.5
102149	1	Long top link pin; replaces Ferguson 195589M1, AC339942	3/4"	3-7/8"	5-1/2"	0.6
102150	1	Extra long top link pin; replaces Ford E381T9	3/4"	4-3/4"	6-3/8"	0.8
102151	2	Replaces Ford C5NN560A, MF 185873M91, AC2090149/239888	1"	3-9/16"	5-1/4"	1.2
102152	2	Replaces Ford E27N995272	1"	3"	4-3/4"	1.1
102153	2	Replaces Ford C5NN486A	1"	4-3/8"	6"	1.3
102154	2	Replaces Ford E2016F9, AC345552	1"	5-3/8"	7-1/16"	1.5
102155	3	Top Link Pin	1-1/4"	4-5/8"	6-1/2"	2.1

Hitch Pins (Clevis Pins)

SKU/Part#	Pin Diameter	Usable Length	Overall Length	Weight (lbs.)
102156	1/2"	5"	6-3/8"	0.4
102157	5/8"	5"	6-3/8"	0.6
102158	3/4"	5"	6-3/8"	0.8
102159	7/8"	5"	6-3/8"	1.0
102160	1"	5"	6-3/8"	1.4
102161	1-1/8"	5"	6-3/8"	1.7



An economic hitch pin (clevis pin) for a variety of applications, yellow zinc plated.

Fixed Handle Hitch Pins

SKU/Part#	Pin Diameter	Usable Length	Overall Length	Weight (lbs.)
102162	1/2"	4-1/4"	5-1/4"	0.4
102163	5/8"	4-1/4"	5-1/4"	0.6
102164	5/8"	6-1/4"	7-1/4"	0.8
102165	3/4"	4-1/4"	5-1/2"	1.1
102166	3/4"	6-1/4"	7-1/4"	1.1
102167	7/8"	4-1/4"	5-1/4"	1.2
102168	7/8"	6-1/4"	7-1/4"	1.4
102169	1"	6-1/4"	7-1/4"	2.2
102170	1-1/8"	6-1/4"	7-1/4"	2.2



Forged head hitch pin with fixed handle and zinc plated "R" clip pin. 25% stronger than Grade 2. Yellow zinc dichromate plated.

Swivel Handle Forged Hitch Pins

SKU/Part#	Pin Diameter	Usable Length	Overall Length	Weight (lbs.)
102171	3/8"	4-1/4"	4-3/4"	0.2
102172	1/2"	4-1/4"	5-3/4"	0.4
102173	1/2"	6-1/4"	7-3/4"	0.5
102174	5/8"	4-1/4"	5-3/4"	0.6
102175	5/8"	6-1/4"	7-3/4"	0.8
102176	3/4"	4-1/4"	5-3/4"	0.9
102177	3/4"	6-1/4"	7-3/4"	1.1
102178	7/8"	4-1/4"	5-3/4"	1.2
102179	7/8"	6-1/4"	7-3/4"	1.4
102180	1"	4-1/4"	5-3/4"	1.5
102181	1"	6-1/4"	7-3/4"	1.9
102182	1-1/8"	6-1/4"	7-3/4"	2.4
102183	1-1/4"	6-1/4"	7-3/4"	2.9
102184	3/8"	3-1/2"	5"	0.3
102185	1/2"	3-1/2"	4-7/8"	0.45



Forged head hitch pin with swivel handle and zinc plated "R" clip pin. 25% stronger than Grade 2. Yellow zinc dichromate plated.

Swivel Handle Forged Hitch Pins with Chain

SKU/Part#	Pin Diameter	Usable Length	Overall Length	Weight (lbs.)
102186	1/2"	4-1/4"	5-3/4"	0.5
102187	1/2"	6-1/4"	7-3/4"	0.6
102188	5/8"	4-1/4"	5-3/4"	0.7
102189	5/8"	6-1/4"	7-3/4"	0.9
102190	3/4"	4-1/4"	5-3/4"	1.0
102191	3/4"	6-1/4"	7-3/4"	1.2
102192	7/8"	6-1/4"	7-3/4"	1.6
102193	1"	6-1/4"	7-3/4"	2.0
102194	1-1/8"	6-1/4"	7-3/4"	2.5
102195	1-1/4"	6-1/4"	7-3/4"	3.0



Forged head hitch pin with swivel handle and zinc plated chain and 1/4" lynch pin. 25% stronger than Grade 2. Yellow zinc dichromate plated.

Grey Head Hitch Pins

SKU/Part#	Pin Diameter	Usable Length	Overall Length	Weight (lbs.)
102196	1/2"	3-5/8"	6-5/8"	0.65
102197	5/8"	4"	7"	0.90
102198	5/8"	6"	9"	1.08
102199	3/4"	4"	7"	1.16
102200	3/4"	6-1/2"	9-1/2"	1.45
102201	7/8"	6-1/2"	9-1/2"	1.84
102202	1"	7"	10"	2.44
102203	1-1/8"	7"	10"	2.97
102204	1-1/4"	7"	10"	3.58
102205	1-1/2"	8-1/2"	11-1/2"	5.66



One piece, Grade 8 performance, forged hitch pins made from high strength steel, heat treated. Pin is black with grey vinyl head and handle. Zinc plated "R" clip included.

Blue Head Hitch Pins

SKU/Part#	Pin Diameter	Usable Length	Overall Length	Weight (lbs.)
102206	1/2"	3-5/8"	6-5/8"	0.7
102207	5/8"	4"	7"	0.9
102208	5/8"	6"	9"	1.0
102209	3/4"	4"	7"	1.2
102210	3/4"	6-1/2"	9-1/2"	1.2
102211	7/8"	4-1/4"	7-1/4"	1.4
102212	7/8"	6-1/2"	9-1/2"	1.9
102213	1"	4-3/4"	7-3/4"	1.9
102214	1"	7"	10"	2.4
102215	1-1/8"	7"	10"	3.0
102216	1-1/4"	7"	10"	3.0
102217	1-1/2"	8-1/2"	11-1/2"	5.8



Grade 8 performance, premium heat treated hitch pin made from alloy steel for tough applications. Pin is black with blue vinyl head and handle. Zinc plated "R" clip included.

Red Head Hitch Pins

SKU/Part#	Pin Diameter	Usable Length	Overall Length	Weight (lbs.)
102218	1/2"	3-5/8"	6-5/8"	0.7
102219	5/8"	4"	7"	0.9
102220	5/8"	5-3/4"	9"	1.1
102221	3/4"	4"	7"	1.1
102222	3/4"	6-1/2"	9-1/2"	1.5
102223	7/8"	4-1/4"	7-1/4"	1.4
102224	7/8"	6-1/2"	9-1/2"	1.9
102225	1"	4-3/4"	7-3/4"	1.9
102226	1"	7-1/2"	10-1/2"	2.6
102227	1"	12"	15"	3.3
102228	1-1/8"	8-1/2"	11-1/2"	3.3
102229	1-1/4"	8-1/2"	11-1/2"	4.1
102230	1-1/4"	12"	15"	5.0
102231	1-1/2"	8-1/2"	11-1/2"	5.0
102232	1-1/2"	13"	16"	7.6
102233	1-3/4"	8-1/2"	11-1/2"	8.0
102234	2"	8-1/2"	11-1/2"	9.8



One piece, Grade 5 performance, forged hitch pins made from high-strength steel, heat treated. Pin is black with red vinyl head and handle. Zinc plated "R" clip included.

Safety-Lock Hitch Pins

SKU/Part#	Pin Diameter	Usable Length	Overall Length	Weight (lbs.)
102235	1/2"	4"	5-1/2"	0.5
102236	5/8"	4"	5-1/2"	0.7
102237	3/4"	4"	5-1/2"	1.0
102238	3/4"	6"	7-1/2"	1.2
102239	7/8"	6"	7-1/2"	1.5
102240	1"	6"	7-1/2"	1.9



Spring steel wire fits in the groove on the pin to secure it.

Handle-Lock Hitch Pins



Spring steel wire holds pin in place, grooved pin secures wire, clear zinc finish, carbon steel pin.

SKU/Part#	Description	Pin Diameter	Usable Length	Weight (lbs.)
102241	Handle-Lock hitch pin, large	1/2"	3-1/2"	0.50
102242	Handle-Lock hitch pin, small	1/4"	1-3/4"	0.05
102243	Handle-Lock hitch pin, small	1/4"	2-1/8"	0.05
102244	Handle-Lock hitch pin, small	5/16"	2-1/4"	0.10
102245	Handle-Lock hitch pin, small	5/16"	2-1/2"	0.10
102246	Handle-Lock hitch pin, small	3/8"	1-1/2"	0.15
102247	Handle-Lock hitch pin, small	3/8"	2-3/8"	0.15

Single-Lock Hitch Pins

SKU/Part#	Pin Diameter	Usable Length	Weight (lbs.)
102248	5/8"	4-1/2"	2.0
102249	3/4"	4-1/2"	2.3
102250	3/4"	6"	2.6
102251	7/8"	4-1/2"	2.6
102252	7/8"	6"	2.9
102253	1"	6"	3.3
102254	1-1/8"	7"	4.1
102255	1-1/4"	7"	4.6
102256	1-1/2"	8"	5.7



Grade 5 performance hitch pins with quick release handle for easy removal.

Drop Forged Hitch Pins

SKU/Part#	Pin Diameter	Usable Length	Overall Length	Weight (lbs.)
102257	7/16"	3-1/2"	5-11/32"	0.3
102258	1/2"	3-1/2"	5-11/32"	0.4
102259	5/8"	3-3/4"	6-15/16"	0.6
102260	5/8"	6"	9-3/16"	0.8
102261	3/4"	4"	7-7/16"	0.9
102262	3/4"	6-1/4"	9-7/16"	1.2
102263	7/8"	4-1/4"	7-3/4"	1.2
102264	7/8"	6-1/2"	10-11/16"	1.7
102265	1"	4-3/4"	8-17/32"	1.6
102266	1"	6-3/4"	10-17/32"	2.2
102267	1-1/8"	7"	11"	2.8
102268	1-1/4"	7"	11-1/8"	3.6
102269	1-3/8"	7"	11-27/32"	4.6
102270	1-1/2"	8"	12-23/32"	6.6



One piece, Grade 5 performance, forged hitch pins made from high-strength steel, heat treated, yellow zinc dichromate plated.

Premium Hitch Pins

SKU/Part#	Pin Diameter	Usable Length	Weight (lbs.)
102271	1/2"	4"	0.4
102272	5/8"	4"	0.6
102273	5/8"	6"	0.8
102274	3/4"	4-1/4"	0.9
102275	3/4"	6-1/4"	1.1
102276	7/8"	4-1/4"	1.2
102277	7/8"	6-1/2"	1.6
102278	1"	6-3/4"	2.0
102279	1-1/8"	7"	2.6
102280	1-1/4"	7"	3.1



Yellow zinc plated forged pin made from high carbon steel, heat treated with zinc plated "R" clip included.

Bent Hitch Pins

SKU/Part#	Pin Diameter	Usable Length	Weight (lbs.)
102281	3/8"	3"	0.18
102282	1/2"	2-1/2"	0.30
102283	1/2"	3"	0.34
102284	1/2"	4"	0.40
102285	1/2"	5"	0.46
102286	5/8"	3"	0.50
102287	5/8"	4"	0.64
102288	5/8"	5"	0.76
102289	3/4"	3-1/2"	0.80
102290	3/4"	4-1/2"	1.02
102291	3/4"	5"	1.06



One piece, bent hitch pins for numerous farm, ranch, garden and industrial uses, yellow zinc dichromate plated. Zinc plated "R" clip included.

Universal Clevis Pins

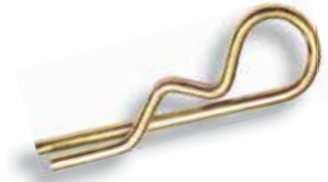
SKU/Part#	Pin Diameter	Overall Length	Weight (lbs.)
102292	1/4"	2"	0.02
102293	5/16"	2"	0.04
102294	3/8"	2"	0.05
102295	7/16"	2"	0.08
102296	1/2"	2"	0.11
102297	1/2"	2-1/2"	0.14
102298	7/16"	2-1/2"	0.13
102299	7/16"	3"	0.14
102300	1/2"	3"	0.15
102301	5/8"	3"	0.16
102302	3/4"	3"	0.16



Universal clevis pin can be used as an adjustable replacement pin, multiple holes allow user to cut off excess length, yellow zinc dichromate plated.

Twist Clip Pins

SKU/Part#	Wire Diameter	Overall Length	Fits Pin Diameter	Weight (lbs.)
102303	1/8"	2-1/2"	1/2" to 7/8"	0.02
102304	5/32"	3-1/32"	5/8" to 1"	0.04
102305	3/16"	4-3/32"	3/4" to 1-1/4"	0.06



Easily attaches and holds more securely than the commonly used "R" clip pin.

"R" Clip Pins

SKU/Part#	Wire Diameter	Overall Length	Fits Pin Diameter	Weight (lbs.)
102306	1/16"	1-9/16"	3/8" to 1/2"	0.01
102307	3/32"	1-5/8"	1/4" to 1/2"	0.01
102308	1/8"	1-15/16"	1/2" to 3/4"	0.02
102309	5/32"	2-15/16"	5/8" to 1"	0.04
102310	3/16"	3-3/4"	7/8" to 1-1/4"	0.08
102311	1/4"	4"	3/4" to 1"	0.10
102312	5/16"	5-15/16"	1" to 1-7/16"	0.30
102313	5/16"	4-1/8"	1" to 1-7/16"	0.20
102314	3/32"	2-15/16"	1/4" to 5/8"	0.01
102315	5/64"	1-3/4"	5/16" to 1/2"	0.01



Yellow zinc dichromate plated "R" spring wire clip for numerous farm, ranch, garden and industrial uses. Available in popular sizes.

Detent Pins

SKU/Part#	Diameter	Usable Length	Overall Length	Weight (lbs.)
102316	3/16"	1"	1-3/8"	0.2
102317	3/16"	1-1/2"	1-7/8"	0.3
102318	3/16"	2"	2-3/8"	0.4
102319	1/4"	1"	1-7/16"	0.4
102320	1/4"	1-1/2"	1-15/16"	0.6
102321	1/4"	2"	2-7/16"	0.6
102322	1/4"	2-1/2"	2-15/16"	0.7
102323	1/4"	3"	3-7/16"	0.9
102324	5/16"	1"	1-17/32"	0.6
102325	5/16"	1-1/2"	2-1/32"	0.8
102326	5/16"	2"	2-17/32"	1.0
102327	5/16"	2-1/2"	3-1/32"	1.2
102328	5/16"	3"	3-17/32"	1.3
102329	3/8"	1-1/2"	2-1/8"	1.1
102330	3/8"	2"	2-5/8"	1.4
102331	3/8"	2-1/2"	3-1/8"	1.7
102332	3/8"	3"	3-5/8"	1.9
102333	3/8"	4"	4-5/8"	2.5
102334	7/16"	2"	2-23/32"	1.9
102335	7/16"	3"	3-23/32"	2.6
102336	1/2"	1"	1-25/32"	1.7
102337	1/2"	1-1/2"	2-9/32"	2.2
102338	1/2"	2"	2-25/32"	2.5
102339	1/2"	2-1/2"	3-9/32"	3.2
102340	1/2"	3"	3-25/32"	3.4
102341	1/2"	4"	4-25/32"	4.4



Ball detent permits fast and easy insertion and removal of pin. Replaces cotter pins in many applications. Available in popular sizes.



Lynch pin fasteners for many applications, yellow zinc dichromate plated except where noted by *, which are powder coated, black.

SKU/Part#	Description	Pin Diameter	Usable Length	Shank Length	Overall Length	Weight (lbs.)
102342	Lynch Pin, standard	3/16"	1"	1-3/8"	1-5/8"	0.03
102343	Lynch Pin, with chain & cotter pin	3/16"	1"	1-3/8"	1-5/8"	0.03
102344	Lynch Pin, standard	7/16"	1-1/4"	1-3/4"	2"	0.10
102345	Lynch Pin, with chain & cotter pin	7/16"	1-1/4"	1-3/4"	2"	0.20
102346	Lynch Pin, standard	1/4"	1-1/4"	1-3/4"	2-1/8"	0.07
102347	Lynch Pin, short shank	7/16"	1-1/4"	1-3/8"	1-3/4"	0.09
102348	Lynch Pin, heavy duty, black fits Category 1, 2, & 3 pins*	7/16"	1-1/2"	1-3/4"	2-1/8"	0.13
102349	Lynch Pin, with chain & cotter pin, black*	7/16"	1-1/2"	1-3/4"	2-1/8"	0.18
102350	Lynch Pin, standard	5/16"	1-1/4"	1-3/4"	2-1/8"	0.10
102351	Lynch Pin, standard	3/8"	1-1/4"	1-3/4"	2-1/8"	0.10
102352	Lynch Pin, long, fits Category 1, 2, & 3 pins	7/16"	1-3/4"	2"	2-5/16"	0.14
102353	Lynch Pin, long shank	7/16"	1-1/4"	2"	2-5/16"	0.12
102354	Lynch Pin, with 12" chain and hook, fits Category 1, & 2 pins	5/16"	1-3/8"	5/16"	13-3/8"	0.15
102355	Lynch Pin, with 12" chain and hook, fits Category 1, & 2 pins	1/4"	1-1/2"	1/4"	12-1/4"	0.15

Steering Wheel Spinners

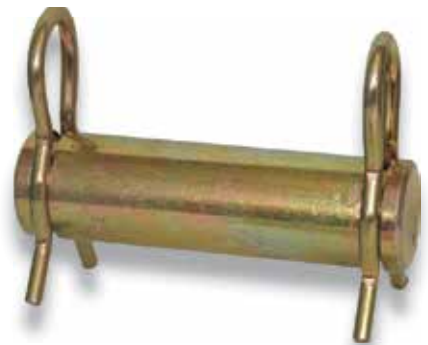
SKU/Part#	Diameter	Weight (lbs.)
102356	Black Bakelite knob with steel base	0.5
102357	Aluminum knob with chrome plated base	0.5
102358	Black vinyl coated knob with chrome plated base	0.7
102359	Blue vinyl coated knob with chrome plated base	0.7
102360	Red vinyl coated knob with chrome plated base	0.7
102361	Green vinyl coated knob with chrome plated base	0.7
102362	Yellow vinyl coated knob with chrome plated base	0.7
102363	Premium wheel spinner with comfortable, ergonomic design	0.7



Steering wheel spinners to fit most tractors and trucks include shallow and deep mount spoke adapters, Black Bakelite, polished aluminum and vinyl colors are available.

Hydraulic Cylinder Pins

SKU/Part#	Diameter	Usable Length	Overall Length	Weight (lbs.)
102364	1"	2"	2-3/4"	0.6
102365	1"	2-1/8"	2-15/16"	0.5
102366	1"	2-3/4"	3-9/16"	0.8
102367	1"	2-7/8"	3-11/16"	0.8
102368	1"	3"	3-13/16"	0.9
102369	1"	3-1/8"	3-15/16"	0.9
102370	1"	3-1/4"	4-1/16"	0.9
102371	1-1/8"	1-15/16"	2-3/8"	0.8
102372	1-1/4"	3-1/4"	4-1/16"	1.4

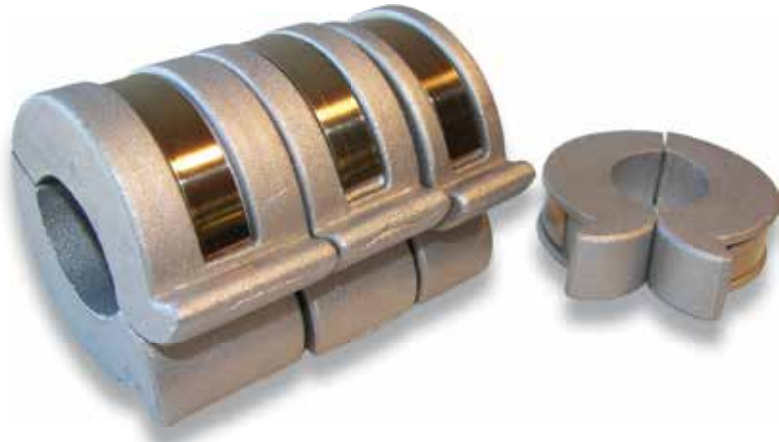


Pins for hydraulic cylinders and jacks in popular sizes, yellow zinc dichromate plated. Standard cylinder clips included. Some Cylinder Pins accommodate "R" clip pin.

Cylinder Stroke Control Segments



Controls the stroke on air or hydraulic cylinders.



SKU/Part#	Description	Segments	Weight (lbs.)
102373	Fits 7/8" & 1-1/16" diameter shafts; aluminum; finger tab design for easy installation & removal	3/4", 1", 1-1/4", 1-1/2"	2.3
102374	Fits 1-1/8", 1-1/4", 1-3/8" & 1-1/2" diameter shafts; aluminum; finger tab design for easy installation & removal	3/4", 1", 1-1/4", 1-1/2"	2.0
102375	Fits 1-3/4", 1-7/8" & 2" diameter shafts; aluminum; finger tab design for easy installation & removal	1", 1-1/2", 2", 4"	4.4
102376	Fits 1-3/8" to 1-1/2" diameter shafts; aluminum	3/4", 1", 1-1/4", 1-1/2"	1.5
102377	Fits 1-1/8" to 1-1/4" diameter shafts; aluminum	3/4", 1", 1-1/4", 1-1/2"	1.5

Kentucky Cow Bells

SKU/Part#	Description	Height	Weight (lbs.)
102378	Kentucky-0K	6-1/2"	1.6
102379	Kentucky-1K	6"	0.8
102380	Kentucky-2K	4-7/8"	0.8
102381	Kentucky-3K	4-1/4"	0.7
102382	Kentucky-4K	3-3/4"	0.6
102383	Kentucky-5K	3-1/8"	0.4
102384	Kentucky-6K	2-5/8"	0.3
102385	Kentucky-7K	1-5/8"	0.2



Kentucky cow bell produces a dull tone that can be heard from a far distance. Steel welded, painted.

Long Distance Cow Bells

SKU/Part#	Description	Height	Weight (lbs.)
102386	Long distance-8LD	1-5/8"	0.2
102387	Long distance-9LD	1-15/16"	0.2
102388	Long distance-10LD	2-13/16"	0.4
102389	Long distance-11LD	2-15/16"	0.5
102390	Long distance-12LD	3-9/16"	0.9
102391	Long distance-14LD	4-5/16"	1.2



Long-distance cow bell produces a sharp tone that can be heard from long distances. One piece steel construction, painted.

Premium Bells

SKU/Part#	Description	Height	Weight (lbs.)
102392	Sports bell, black	6-3/4"	1.0
102393	Sports bell, red grip	6-1/2"	1.0
102394	Sports bell, round with bottle opener	6-1/2"	1.2



Premium bells with large handles for easier grip, with or without vinyl grip. Black powder coated.

Stake Pocket



SKU/Part#	Description	Weight (lbs.)
102395	Stake pocket, 1-1/2" x 3-1/4" opening x 2-1/4" high powder coat finish, black	1.0

Hydraulic Reservoir



SKU/Part#	Description	Weight (lbs.)
102396	Hydraulic reservoir, 5-gallon capacity, 18" long x 8-3/4" wide x 8-3/8" high for a variety of applications including log splitters and hydraulic equipment	17.7

Shaft Set Collars



Precision machined shaft set collars for exact fit, size stamped on collar, allen head screw included, yellow zinc dichromate plated.

SKU/Part#	Bore Size	Outside Diameter	Width	Set Screw Size	Weight (lbs.)
102397	1/4"	1/2"	9/32"	10-32x1/8"	0.3
102398	5/16"	5/8"	11/32"	10-32x1/8"	0.3
102399	3/8"	3/4"	3/8"	1/4-20x3/16"	0.6
102400	7/16"	7/8"	7/16"	1/4-20x1/4"	0.8
102401	1/2"	1"	1/2"	1/4-20x1/4"	1.3
102402	5/8"	1-1/8"	9/16"	5/16-18x1/4"	1.9
102403	11/16"	1-3/8"	5/8"	5/16-18x1/4"	3.2
102404	3/4"	1-3/8"	5/8"	5/16-18x1/4"	2.9
102405	7/8"	1-1/2"	5/8"	5/16-18x5/16"	3.2
102406	1"	1-5/8"	5/8"	5/16-18x5/16"	3.5
102407	1-1/8"	1-3/4"	5/8"	5/16-18x5/16"	3.8
102408	15/16"	1-5/8"	5/8"	5/16-18x5/16"	3.8
102409	1-1/4"	2"	11/16"	3/8-16x3/8"	5.7
102410	1-3/8"	2-1/8"	3/4"	3/8-16x3/8"	6.7
102411	1-1/2"	2-1/4"	3/4"	3/8-16x3/8"	7.4
102412	1-3/4"	2-3/4"	7/8"	1/2-13x1/2"	12.2
102413	1-7/8"	2-3/4"	7/8"	1/2-13x1/2"	0.8
102414	2"	3"	7/8"	1/2-13x1/2"	14.4

Hitch Balls



Class I, II, III, and IV chrome hitch balls.

Ask about our expanding line-up
of Trailer & Hitch products

SKU/Part#	Description	Weight (lbs.)
102415	1-7/8" chrome hitch ball with 3/4" stud, 1-3/4" stud length, VESC Class I	1.6
102416	2" chrome hitch ball with 3/4" stud, 1-3/4" stud length, VESC Class II	1.8
102417	2" chrome hitch ball with 1" stud, 2-1/8" stud length, VESC Class III	2.5
102418	2-5/16" chrome hitch ball with 1-1/4" stud, 2-1/2" stud length, VESC Class IV	4.0

Tools Boxes



SKU/Part#	Description	Weight (lbs.)
102419	16" portable/mountable toolbox, red	8.0
102420	20" portable/mountable toolbox, red	10.0
102421	16" portable/mountable toolbox, black	8.0
102422	20" portable/mountable toolbox, black	10.0
102423	16" portable/mountable toolbox, green	8.0
102424	20" portable/mountable toolbox, green	10.0

Mounts to tractors or other equipment, includes hardware and brackets for universal mounting.

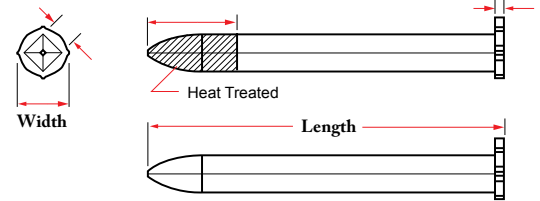
Hay Hooks



SKU/Part#	Description	Weight (lbs.)
102425	11" overall length hay hook, D-handle, red	1.1
102426	17" overall length hay hook, D-handle, red	1.5
102427	9" overall length hay hook, wood T-handle, black	0.5
102428	16" overall length hay hook, leather guard, black	1.1

Harrow Teeth

SKU/Part#	Description	Width	Length	Weight (lbs.)
102429	Square, no head	5/8"	8"	0.85
102430	Square, with head	5/8"	10"	1.05
102431	Square, with head	5/8"	12"	1.25
102432	Square, with head	5/8"	14"	1.45
102433	Square, no head	3/4"	8"	1.13
102434	Square, no head	3/4"	9"	1.25
102435	Square, with head	3/4"	11"	1.52
102436	Square, with head	3/4"	12"	1.80
102437	Square, with head	3/4"	14"	2.10
102438	Full diamond, with head	3/4"	8"	0.62
102439	Full diamond, no head	5/8" & 7/8"	8"	0.58
102440	Full diamond, 1/2" thread	5/8" & 7/8"	8"	0.60
102441	Full diamond, 7/16" thread	5/8" & 7/8"	8"	0.60
102442	Full diamond, 7/16" thread	5/8" & 7/8"	8-1/2"	0.60
102443	Full diamond, 1/2" thread	5/8" & 7/8"	8-1/2"	0.60
102444	N188676 (John Deere)	5/8" & 7/8"	10"	1.45



PTO Adapters & Accessories



SKU/Part#	Description	Male Spline	Female Spline	Extends PTO	Overall Length	Max. H.P.	Weight (lbs.)
102445	Sleeve increaser, Ford 231082	1-3/8" x 6	1-1/8" x 6	0	2"	75	0.2
102446	Sleeve increaser, all tractors except Ford	1-3/8" x 6	1-1/8" x 6	0	2-1/4"	75	0.2
102447	PTO spline adapter, converts 21 spline 1,000 RPM to 6 spline 540 RPM	1-3/8" x 6	1-3/8" x 21	3-1/4"	5-7/8"	75	2.0
102448	Universal reducer	1-1/8" x 6	1-3/8" x 6	3-5/16"	5-1/8"	75	1.4
102449	PTO increaser	1-3/8" x 6	1-1/8" x 6	3-5/8"	5-1/2"	75	1.3
102450	PTO short increaser	1-3/8" x 6	1-1/8" x 6	1-1/8"	3-1/4"	75	0.6
102451	PTO spline adapter, 20 to 6 spline, set screw lock	1-3/8" x 6	1-3/4" x 20	4-5/8"	7-1/2"	75	6.1
102452	PTO extender	1-3/8" x 6	1-3/8" x 6	3-5/16"	5-1/8"	75	2.2
102453	PTO spline adapter with quick release, converts 21 spline 1,000 RPM to 6 spline 540 RPM	1-3/8" x 6	1-3/8" x 21	3-7/8"	6-1/2"	75	2.5
102454	PTO spline adapter with quick release, converts 6 spline 540 RPM to 21 spline 1,000 RPM	1-3/8" x 21	1-3/8" x 6	4-1/8"	6-1/2"	75	2.5
102455	PTO extender with quick release	1-3/8" x 6	1-3/8" x 6	4-3/8"	6-1/2"	75	2.8
102456	PTO extender with quick release, 21 spline 1,000 RPM	1-3/8" x 21	1-3/8" x 21	4-1/8"	5-7/8"	75	3.2
102457	PTO spline adapter, 20 to 21 spline, set screw lock	1-3/8" x 21	1-3/4" x 20	4-5/8"	7"	75	4.2
102458	PTO adapter, heavy duty	1-3/8" x 6"	1-3/4" x 20	4-5/8"	7-1/2"	75	4.2
102459	PTO adapter, 20 to 21 spline heavy duty	1-3/8" x 21	1-3/4" x 20	4-5/8"	7-1/2"	75	4.3
102460	Spline adapter; extended length for use with Gresen pump	1-3/8" x 6	1-3/8" x 6	11-5/8"	15"	75	6.0
102461	Over running clutch, max. 1,000 RPM operating speed	1-3/8" x 6	1-3/8" x 6	3-13/16"	6-1/2"	75	5.0
102462	Over running clutch, max. 1,000 RPM operating speed	1-3/8" x 6	1-1/8" x 6	3-13/16"	6-1/2"	75	5.0
102463	Over running clutch, with quick release, max. 1,000 RPM operating speed	1-3/8" x 6	1-3/8" x 6	4-1/2"	6-3/4"	75	7.2
102464	Over running clutch, with quick release, max. 1,000 RPM operating speed	1-3/8" x 6	1-1/8" x 6	4-1/2"	6-3/4"	75	7.1

PTO Accessories



SKU/Part#	Description	Weight (lbs.)
102465	Yoke pin assembly, fits most American PTO yokes	0.1
102466	Yoke pin assembly for 1-3/8" x 21 spline adapter, welded yoke only	0.2
102467	Roll pin for over-running clutches, 5/16" x 2"	0.1

Lock Pins

SKU/Part#	Diameter	Usable Length	Wire Hoop	Weight (lbs.)
102468	1/4"	1-3/4"	Round	0.06
102469	5/16"	2-1/4"	Square	0.20
102470	5/16"	2-1/4"	Round	0.10
102471	3/8"	2-1/4"	Round	0.14
102472	1/4"	1-3/8"	Round	0.06
102473	1/4"	2-1/2"	Round	0.08
102474	1/4"	2-1/4"	Square	0.08
102475	1/4"	2-1/2"	Square	0.08
102476	5/16"	1-3/8"	Round	0.08
102477	5/16"	1-3/4"	Round	0.08
102478	5/16"	2-1/2"	Round	0.10
102479	5/16"	2-1/2"	Square	0.10
102480	5/16"	3-1/2"	Square	0.14
102481	5/16"	3-15/16"	Square	0.14
102482	3/8"	1-1/2"	Round	0.11
102483	3/8"	1-3/4"	Round	0.12
102484	3/8"	2-1/2"	Round	0.14
102485	3/8"	2-1/4"	Square	0.14
102486	3/8"	2-1/2"	Square	0.16
102487	3/8"	3"	Square	0.16
102488	3/8"	3-7/16"	Square	0.18



Lock pins for a variety of farm, garden and industrial applications. Round and square loop styles, yellow zinc dichromate plated.



Straight Clevises

Forged utility and farm clevises with heat treated pins in straight, twisted and general purpose styles. Clevises, mid-links and drawbar hook are powder coated, black finish, clevis pins are yellow zinc dichromate plated.

SKU/Part#	Body Diameter	Clevis Opening	Usable Length	Pin Diameter	Working Load Limit (lbs)	Weight (lbs.)
102489	5/8"	7/8"	3-1/4"	1/2"	6,000	1.5
102490	3/4"	1-5/16"	3-3/4"	5/8"	12,000	2.5
102491	7/8"	1-5/16"	3-1/4"	3/4"	16,000	3.0
102492	7/8"	1-5/16"	4-1/4"	3/4"	16,000	3.6
102493	15/16"	1-7/16"	4-5/8"	7/8"	20,000	4.3
102494	1"	2-1/8"	5-5/16"	1"	25,000	5.8



Twisted Clevises

SKU/Part#	Body Diameter	Clevis Opening	Usable Length	Pin Diameter	Working Load Limit (lbs)	Weight (lbs.)
102495	5/8"	7/8"	3"	1/2"	6,000	1.5
102496	3/4"	1-5/16"	3-1/2"	5/8"	12,000	2.5
102497	7/8"	1-5/16"	3"	3/4"	16,000	3.0
102498	7/8"	1-5/16"	3-7/8"	3/4"	16,000	3.6
102499	15/16"	1-7/16"	4-1/4"	7/8"	20,000	4.3
102500	1"	2-1/8"	5"	1"	25,000	5.8



General Purpose Clevis

SKU/Part#	Body Diameter	Clevis Opening	Usable Length	Pin Diameter	Working Load Limit (lbs)	Weight (lbs.)
102501	3/4"	2-1/2"	6-3/16"	3/4"	10,000	3.3



Screw Clevises

Screw pin shackle type farm clevises, heat treated pins, powder coated, black finish, clevis pins are yellow zinc dichromate plated.

SKU/Part#	Body Diameter	Clevis Opening	Usable Length	Pin Diameter	Working Load Limit (lbs)	Weight (lbs.)
102502	1/4"	15/32"	1-1/8"	5/16"	1,000	0.1
102503	5/16"	17/32"	1-1/4"	3/8"	2,000	0.2
102504	3/8"	23/32"	1-7/16"	7/16"	3,000	0.3
102505	7/16"	3/4"	1-11/16"	1/2"	4,000	0.5
102506	1/2"	13/16"	1-15/16"	5/8"	6,500	0.7
102507	5/8"	1-1/16"	2-1/2"	3/4"	9,000	1.5
102508	3/4"	1-1/4"	3"	7/8"	13,000	2.2
102509	7/8"	1-7/16"	3-1/4"	1"	15,000	3.5
102510	1"	1-11/16"	3-3/4"	1-1/8"	17,000	5.2
102511	1-1/8"	1-13/16"	4-1/4"	1-1/4"	24,000	7.0
102512	1-1/4"	2"	4-1/2"	1-3/8"	28,000	9.5



Utility Clevises

SKU/Part#	Body Diameter	Clevis Opening	Usable Length	Pin Diameter	Working Load Limit (lbs)	Weight (lbs.)
102513	1/4"	15/32"	7/8"	5/16"	1,000	0.1
102514	5/16"	17/32"	1"	3/8"	1,500	0.2
102515	3/8"	21/32"	1-1/4"	7/16"	2,000	0.3
102516	7/16"	23/32"	1-1/2"	1/2"	3,000	0.4
102517	1/2"	13/16"	1-11/16"	5/8"	6,000	0.6
102518	5/8"	1-1/16"	2"	3/4"	9,000	1.2



Mid Links

SKU/Part#	Chain Size	Working Load Limit (lbs)	Weight (lbs.)
102519	1/4" or 5/16"	4,700	0.3
102520	3/8"	6,600	0.4
102521	7/16" or 1/2"	11,300	1.0
102522	5/8"	18,000	1.7



Tractor Drawbar Grab Hook

SKU/Part#	Description	Working Load Limit (lbs)	Weight (lbs.)
102523	For all tractor drawbars up to 1-5/8" thick, for use with 5/16" to 1/2" chain	9,000	3.1
102524	Grab hook pin to fit Part #102523, 3/4" diameter, 2-1/2" usable length	-	0.6



T-Handle Clevis Pins

SKU/Part#	Pin Diameter	Usable Length	Weight (lbs.)
102525	1/2"	2-1/4"	0.4
102526	5/8"	3-1/8"	0.5
102527	3/4"	3-1/4"	0.7
102528	7/8"	3-3/4"	1.2
102529	1"	4-1/4"	1.5



Hinge Straps

Hinge straps for use with 3/8" carriage bolts.

SKU/Part#	Size	Hinge Hole Diameter	Weight (lbs.)
102530	6"	1/2"	0.6
102531	8"	1/2"	0.7
102532	10"	5/8"	1.1
102533	12"	5/8"	1.2
102534	14"	3/4"	2.0
102535	16"	3/4"	2.3



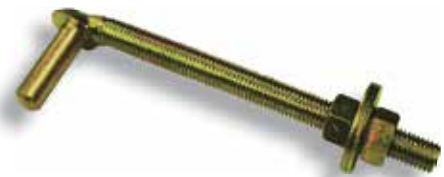
Hinge Clamps

SKU/Part#	Size	Hinge Hole Diameter	Weight (lbs.)
102536	3/4" x 1-3/4"	3/4"	0.9
102537	3/4" x 2"	3/4"	0.9
102538	5/8" x 1-3/4"	5/8"	0.9
102539	5/8" x 2"	5/8"	0.9



Bolt Hooks

SKU/Part#	Size	Strap Size	Weight (lbs.)
102540	1/2" x 6"	6" & 8"	0.6
102541	5/8" x 8"	10" & 12"	1.1
102542	5/8" x 12"	10" & 12"	1.4
102543	3/4" x 10"	14" & 16"	1.7
102544	3/4" x 12"	14" & 16"	1.9



Screw Hooks (Hinge Bolts)

SKU/Part#	Description	Size	Strap Size	Weight (lbs.)
102545	Male	1/2" x 4"	6" & 8"	0.3
102546	Male	5/8 x 5"	10" & 12"	0.6
102547	Male	3/4" x 6"	14" & 16"	0.8
102548	Female, with eye hinge	1/2" x 4"	6" & 8"	0.5
102549	Female, with eye hinge	5/8 x 5"	10" & 12"	0.9



Gate Latches



2-Way



2-Way, Lockable



1-Way, Lockable

SKU/Part#	Description	Weight (lbs.)
102550	2-Way gate latch, for round tube gates 1-5/8" to 2" outside diameter	4.7
102551	2-Way gate latch, lockable, accepts padlock, for round tube gates 1-1/4" to 1-1/2" outside diameter	1.9
102552	2-Way gate latch, lockable, accepts padlock, for round tube gates 1-5/8" to 2" outside diameter	4.3
102553	1-Way gate latch, lockable, accepts padlock, for round tube gates 1-5/8" to 2" outside diameter	3.1

Gate Anchor

SKU/Part#	Description	Weight (lbs.)
102554	Gate anchor holds gate open in any position for round tube gates 1-3/4" to 2" outside diameter	3.8

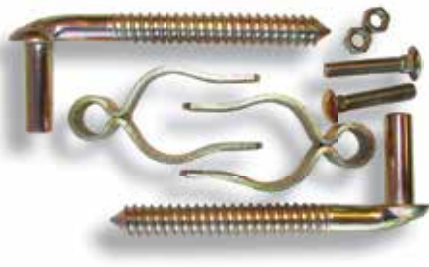


Gate Wheels



SKU/Part#	Description	Weight (lbs.)
102555	Gate wheels permit easy opening of fence gates and prevent sagging of gate, for tube gates with outside dimensions between 1-5/8" and 2".	4.1
102556	Spring wheel gate adjusts for high ground clearance, prevents sagging of gate, for tube gates with outside dimensions between 1-5/8" and 2". Includes hardware for installation.	12
102557	Tall gate wheels for high ground clearance, prevents sagging of gate, for tube gates with outside dimensions between 1-5/8" and 2". Includes hardware for installation.	11.9

Gate Hinges



SKU/Part#	Description	Weight (lbs.)
102558	Gate hinge for round tube gates with 1-5/8" to 1-3/4" outside diameter, 5/8" diameter x 6" long bolts, upper and lower hinges and all mounting hardware is included.	2.6
102559	Gate hinge for round tube gates with 2" outside diameter, 3/4" diameter x 12" long bolts, upper and lower hinges and all mounting hardware is included.	5.9

Gate Closers



SKU/Part#	Description	Weight (lbs.)
102560	Adjustable gate closer, heavy duty cable to fit most fence posts, works with padlock, powder coated corrosion resistant finish.	4.6
102561	Gate closer fits all posts up to 5" diameter, works with padlock, powder coated corrosion resistant finish.	5.3

Barbed Wire Carrier

SKU/Part#	Description	Weight (lbs.)
102562	Free spinning design provides safe way to carry and unroll barbed wire by one individual.	0.54



Wire Gripper

SKU/Part#	Description	Weight (lbs.)
102563	Wire gripper holds wire in place for fencing maintenance, works with barbed and smooth wire and small diameter cable.	0.9



Fence Post Pounders



12 lb Standard Duty



16 lb Medium Duty



30 lb Heavy Duty

SKU/Part#	Description	Weight (lbs.)
102564	Standard duty post pounder, 12 lbs. Drives steel posts into the ground quickly.	12
102565	Medium duty post pounder, 16 lbs. Drives steel posts into the ground quickly.	16
102566	Heavy duty post pounder, 30 lbs. Drives steel posts into the ground quickly. Easy grip handles, heavy duty steel construction.	30

Fence Post Pullers



SKU/Part#	Description	Weight (lbs.)
102567	T-post puller for removal of studded T-posts, easy one-person operation pulls post from the ground with out bending or twisting for easy reuse.	17
102568	Metal T-post puller with innovative slot that permits use with different gauges of chain. Use with tractor bucket, chain, handyman jack or s-hook.	2.3



Standard Duty



With Ratchet Control



Wire Rope Stretcher



Woven Wire Stretcher

SKU/Part#	Description	Weight (lbs.)
102569	Standard duty wire stretcher.	7.8
102570	Replacement spring for the standard duty wire stretcher (Part # 102569).	0.2
102571	Wire stretcher with ratchet control, for release of wire tension.	7.9
102572	Replacement spring for the wire stretcher with ratchet control (Part # 102571).	0.2
102573	Rope wire stretcher.	4.6
102574	Woven wire stretcher with hooks.	13.5

Sprockets for #40 Chain - 1/2" Pitch

SKU/Part#	Number of Teeth	Outside Diameter	Use Hub Series	Weight (lbs.)
102575	12	2-3/16"	V	0.13
102576	13	2-1/4"	V	0.15
102577	14	2-7/16"	V	0.20
102578	15	2-5/8"	V	0.25
102579	16	2-13/16"	W	0.20
102580	17	3"	W	0.25
102581	18	3-1/8"	W	0.30
102582	19	3-5/16"	W	0.35
102583	20	3-7/16"	X	0.35
102584	21	3-5/8"	X	0.40
102585	22	3-3/4"	X	0.45
102586	23	4"	X	0.50
102587	24	4-1/16"	X	0.60
102588	26	4-3/8"	X	0.75
102589	28	4-11/16"	X	0.90
102590	30	5-1/16"	X	1.10
102591	32	5-3/8"	X	1.25
102592	36	6"	X	1.70
102593	40	6-5/8"	X	2.10
102594	42	7"	X	2.40
102595	45	7-3/8"	X	2.75
102596	48	7-7/8"	X	3.25
102597	60	9-13/16"	X	5.20



Sprockets for #50 Chain - 5/8" Pitch

SKU/Part#	Number of Teeth	Outside Diameter	Use Hub Series	Weight (lbs.)
102598	10	2-1/4"	V	0.15
102599	11	2-1/2"	V	0.20
102600	12	2-3/4"	W	0.20
102601	13	2-7/8"	W	0.25
102602	14	3-1/16"	W	0.35
102603	15	3-1/4"	W	0.40
102604	16	3-7/16"	W	0.50
102605	17	3-11/16"	X	0.50
102606	18	3-7/8"	X	0.60
102607	19	4-1/8"	X	0.70
102608	20	4-3/8"	X	0.80
102609	21	4-9/16"	X	0.90
102610	22	4-3/4"	X	1.05
102611	24	5-1/8"	X	1.30
102612	26	5-1/2"	X	1.60
102613	28	5-7/8"	X	1.90
102614	30	6-5/16"	X	2.20
102615	32	6-3/4"	X	2.60
102616	34	7-1/16"	X	2.95
102617	36	7-9/16"	X	3.35
102618	40	8-5/16"	X	4.20
102619	42	8-11/16"	X	4.65
102620	50	10-1/4"	X	6.80
102621	60	12-5/16"	X	9.90
102622	96	19-7/16"	X	25.05



Sprockets for #60 Chain - 3/4" Pitch

SKU/Part#	Number of Teeth	Outside Diameter	Use Hub Series	Weight (lbs.)
102623	9	2-1/2"	V	0.25
102624	10	2-3/4"	V	0.35
102625	11	3"	W	0.35
102626	12	3-1/4"	W	0.50
102627	13	3-1/2"	W	0.60
102628	14	3-3/4"	W	0.75
102629	15	4"	X	0.75
102630	16	4-1/4"	X	0.95
102631	17	4-1/2"	X	1.15
102632	18	4-11/16"	X	1.30
102633	19	5"	X	1.50
102634	20	5-1/8"	X	1.70
102635	21	5-1/2"	X	1.95
102636	22	5-11/16"	X	2.25
102637	24	6-1/8"	X	2.75
102638	26	6-5/8"	X	3.25
102639	28	7-1/8"	X	3.85
102640	30	7-5/8"	X	4.45
102641	32	8"	X	5.20
102642	36	9"	X	6.70
102643	40	9-15/16"	X	8.40
102644	42	10-1/2"	X	9.35
102645	54	13-1/4"	X	15.75

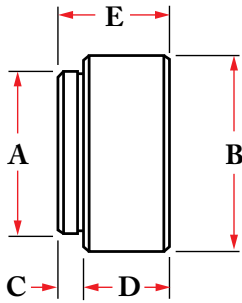


SKU/Part#	Chain Size	Number of Teeth	Bore Size	Weight (lbs.)
102646	40 or 41	17	1/2"	0.44
102647	40 or 41	17	5/8"	0.44
102648	50	13	1/2"	0.38
102649	50	13	5/8"	0.45
102650	50	15	1/2"	0.56
102651	50	15	5/8"	0.65
102652	50	17	1/2"	0.69
102653	50	17	5/8"	0.90
102654	60	11	1/2"	0.50
102655	60	11	5/8"	0.55
102656	60	13	1/2"	0.69
102657	60	13	5/8"	0.80
102658	60	15	1/2"	0.94
102659	60	15	5/8"	1.10



Weld-on Hubs

High-quality, precision machined V, W and X series weld-on hubs, available in round, spline and hexagon bores.



	A	B	C	D	E
V-Series Hubs to fit V-Type Sprockets	1-1/8"	1-7/16"	7/16"	3/4"	1-3/16"
W-Series Hubs to fit W-Type Sprockets	1-5/8"	1-13/16"	7/16"	1"	1-7/16"
X-Series Hubs to fit X-Type Sprockets	2"	2-1/2"	7/16"	1"	1-7/16"

V-Series Hubs

Round Bore with Keyway and Set Screw

SKU/Part#	Bore Size	Weight (lbs.)
102660	1/2"	0.40
102661	5/8"	0.35
102662	3/4"	0.30
102663	7/8"	0.25



W-Series Hubs

Round Bore with Keyway and Set Screw

SKU/Part#	Bore Size	Weight (lbs.)
102664	1/2"	0.90
102665	9/16"	0.85
102666	5/8"	0.85
102667	11/16"	0.80
102668	3/4"	0.80
102669	13/16"	0.75
102670	7/8"	0.70
102671	15/16"	0.65
102672	1"	0.65
102673	1-1/16"	0.60
102674	1-1/8"	0.55
102675	1-3/16"	0.50
102676	1-1/4"	0.45

W-Series Hubs

Hexagon Bore with Set Screw

SKU/Part#	Bore Size	Weight (lbs.)
102677	7/8"	0.70
102678	1"	0.60

W-Series Hubs

Spline Bore with Set Screw

SKU/Part#	Bore Size	Weight (lbs.)
102679	1-1/8" x 6	0.60
102680	1-3/8" x 6	0.45

X-Series Hubs

Round Bore with Keyway and Set Screw

SKU/Part#	Bore Size	Weight (lbs.)
102681	5/8"	1.60
102682	11/16"	1.60
102683	3/4"	1.55
102684	13/16"	1.55
102685	7/8"	1.50
102686	15/16"	1.45
102687	1"	1.40
102688	1-1/16"	1.35
102689	1-1/8"	1.35
102690	1-3/16"	1.30
102691	1-1/4"	1.25
102692	1-5/16"	1.20
102693	1-3/8"	1.15
102694	1-7/16"	1.05
102695	1-1/2"	1.00

X-Series Hubs

Hexagon Bore with Set Screw

SKU/Part#	Bore Size	Weight (lbs.)
102696	7/8"	1.50
102697	1"	1.40
102698	1-1/8"	1.30

X-Series Hubs

Spline Bore with Set Screw

SKU/Part#	Bore Size	Weight (lbs.)
102699	1-1/8" x 6	1.40
102700	1-3/8" x 6	1.20

Idler Hubs

SKU/Part#	Hub Series	Bore Size	Weight (lbs.)
102701	W	5/8" & 1/2"	0.30
102702	X	5/8" & 1/2"	0.40



Pulleys for A & B Belts

SKU/Part#	Outside Diameter	Fits Hub Series	Fits V-Belt Style	Weight (lbs.)
102703	2-1/2"	V	A or B	0.25
102704	3"	V	A or B	0.25
102705	3-1/2"	W	A or B	0.50
102706	4"	W	A or B	0.37
102707	4-1/2"	W	A or B	0.52
102708	5"	W	A or B	0.70
102709	5-1/2"	W	A or B	0.96
102710	6"	W	A or B	1.06
102711	6-1/2"	W	A or B	1.10
102712	7"	W	A or B	1.22
102713	8"	W	A or B	1.55
102714	9"	W	A or B	2.00
102715	10"	W	A or B	2.60
102716	11"	W	A or B	2.60
102717	12"	W	A or B	3.42
102718	14"	W	A or B	4.65
102719	16"	W	A or B	5.90



Pulleys for C Belts

SKU/Part#	Outside Diameter	Fits Hub Series	Fits V-Belt Style	Weight (lbs.)
102720	6"	X	C	1.92
102721	8"	X	C	3.28
102722	10"	X	C	5.20
102723	12"	X	C	7.52



Flat Type Idler Pulleys

SKU/Part#	Outside Diameter	Bore Size	Flat Bore Width	Weight (lbs.)
102724	1-7/8"	3/8"	3/4"	0.25
102725	2-1/4"	3/8"	1"	0.40
102726	2-3/4"	5/8"	7/8"	0.55
102727	3-1/4"	5/8"	3/4"	0.65
102728	3-1/2"	5/8"	1"	0.70
102729	4"	5/8"	3/4"	0.83
102730	4"	1/2"	1"	0.85
102731	4"	5/8"	1"	0.80



V-Type Idler Pulleys

SKU/Part#	Outside Diameter	Bore Size	Groove Width	Belt Sizes	Weight (lbs.)
102732	2-5/8"	3/8"	1/2"	4L, 3L, 3V	0.25
102733	3"	5/8"	5/8"	5L, 4L, 5V	0.40
102734	3-1/2"	5/8"	5/8"	5L, 4L	0.60
102735	4"	5/8"	5/8"	5L, 4L	0.75
102736	4-1/2"	5/8"	5/8"	5L, 4L	0.85
102737	5"	5/8"	5/8"	5L, 4L	1.10



Bushings & Plugs for Idler Pulleys

SKU/Part#	Inner Diameter	Shoulder Length	Overall Length	Outer Diameter	Weight (lbs.)
102738	3/8"	0.0	0.4	5/8"	0.30
102739	3/8"	0.4	0.8	5/8"	0.60
102740	1/2"	0.0	0.4	5/8"	0.20
102741	1/2"	0.4	0.8	5/8"	0.50



Roller Chain

SKU/Part#	Chain Number	Unit (ft.)	Pitch	Weight (lbs.)
102742	35	10	3/8"	2.45
102743	35	50	3/8"	13.30
102744	35-2	10	3/8"	4.65
102745	41	10	1/2"	2.95
102746	41	50	1/2"	15.25
102747	40	10	1/2"	4.35
102748	40	50	1/2"	21.70
102749	50	10	5/8"	6.95
102750	50	50	5/8"	35.10
102751	50-2	10	5/8"	13.65
102752	50-H	10	5/8"	7.80
102753	60	10	3/4"	10.35
102754	60	50	3/4"	52.20
102755	60-2	10	3/4"	20.45
102756	60-H	10	3/4"	12.55
102757	80	10	1"	17.30
102758	80	50	1"	89.20
102759	80-2	10	1"	36.15
102760	80-H	10	1"	20.60
102761	100	10	1-1/4"	27.20
102762	120	10	1-1/2"	38.30
102763	A2040	10	1"	3.11
102764	A2040	50	1"	15.55
102765	A2050	10	1-1/4"	7.25
102766	A2050	50	1-1/4"	25.60
102767	A2060	10	1-1/2"	7.25



High-quality roller chain that meets or exceeds ANSI standards. Pre-stretched, solid rollers with welded bushings to maximize durability.

Roller Chain Breakers

SKU/Part#	Description	Fits	Weight (lbs.)
102768	Roller chain breaker	#25 to #60 chain	0.8
102769	Roller chain breaker	#60 to #100 chain	1.5
102770	Replacement tip assembly	For breaker #102768	0.1
102771	Replacement tip assembly	For breaker #102769	0.1



SKU/Part#	Chain Number	Quantity	Pitch	Weight (lbs.)
102772	35	4	3/8"	0.1
102773	35-2	4	3/8"	0.1
102774	41	4	1/2"	0.1
102775	40	4	1/2"	0.1
102776	50	4	5/8"	0.2
102777	50-2	4	5/8"	0.3
102778	50-H	4	5/8"	0.2
102779	60	3	3/4"	0.2
102780	60-2	3	3/4"	0.4
102781	60-H	3	3/4"	0.3
102782	80	2	1"	0.4
102783	80-2	2	1"	0.3
102784	80-H	2	1"	0.4
102785	100	2	1-1/4"	0.5
102786	120	2	1-1/2"	0.9
102787	A2040	4	1"	0.1
102788	A2050	3	1-1/4"	0.2
102789	A2060	3	1-1/4"	0.3



Offset Links

SKU/Part#	Chain Number	Quantity	Pitch	Weight (lbs.)
102790	35	4	3/8"	0.1
102791	35-2	4	3/8"	0.1
102792	41	4	1/2"	0.1
102793	40	4	1/2"	0.1
102794	50	4	5/8"	0.2
102795	50-2	4	5/8"	0.3
102796	50-H	4	5/8"	0.3
102797	60	3	3/4"	0.3
102798	60-2	3	3/4"	0.4
102799	60-H	3	3/4"	0.4
102800	80	2	1"	0.4
102801	80-2	2	1"	0.7
102802	80-H	2	1"	0.4
102803	100	2	1-1/4"	0.6
102804	120	2	1-1/2"	1
102805	A2040	4	1"	0.2
102806	A2050	3	1-1/4"	0.1
102807	A2060	3	1-1/4"	0.3



Hydraulic Pumps

We provide a large variety of hydraulic pumps, car lift power units, dump trailer units and snow plow pumps. Please contact our sales department with specific needs.



STOCK PUMPS, 2 STAGE*

SKU/Part#	GPM	Maximum Pressure	Weight (lbs.)
100764	11	4000 psi	7.4
100158	13	4000 psi	7.4
100479	17.5	4000 psi	7.4
100765	22	4000 psi	12.4
100766	28	4000 psi	12.4

*Designed for 3600 RPM



PUMP MOUNTS

SKU/Part#	Width	Length	Weight (lbs.)
100016*	3.55"	4.4"	2.6
100393**	4.33"	5.4"	3.3

*Designed for 3/4" shaft, engines up to 6.5HP

**Designed for 1" shaft, engines up to 16HP

Cylinders, Valves & Hoses



We provide a large variety of hydraulic valves, hoses and cylinders. Please contact our sales department with specific needs.

STOCK CYLINDERS

SKU/Part#	Diameter	Stroke	Operating Pressure	Weight (lbs.)
100762	2.75"	18"	3500 psi	30
100763	3.50"	18"	3500 psi	36
100045	4.00"	24"	3500 psi	53
100217	4.50"	24"	3500 psi	60
100219	5.00"	24"	3500 psi	76



ADJUSTABLE DETENT VALVES

SKU/Part#	Description	Operating Pressure	Center	Weight (lbs.)
100034	Log Splitter Valve	3500 psi	Open	8.2
101789	Log Splitter Valve	3500 psi	Closed	8.2

HOSES

We can provide quality, custom designed hoses in a variety of diameters and lengths for log splitters and other hydraulic applications. Please contact our sales department with specific needs.



Trailer Jacks

Lifting capacities from 1,000 to 10,000 lbs., precision engineered with smooth turning handles, dependable inner screws and rugged foot plates. Available in topwind and sidewind styles with lift heights of 10", 12-1/2" and 15".



1,000 lb. Jack

Wheeled Sidewind style

SKU/Part#	Description	Lift Height	Static Capacity (lbs.)	Lift Capacity (lbs.)	Weight (lbs.)
102808	Wheeled flange (weld) mount, sidewind	10"	1,000	1,000	15.0



2,000 lb. Jacks

Topwind and Sidewind styles

SKU/Part#	Description	Lift Height	Static Capacity (lbs.)	Lift Capacity (lbs.)	Weight (lbs.)
102809	A-frame, topwind	15"	3,000	2,000	12.9
102810	Flange (weld) mount, topwind	10"	3,000	2,000	14.5
102811	Tubular mount, topwind	10"	3,000	2,000	14.1
102812	Flange (weld) mount, topwind	15"	3,000	2,000	18.8
102813	Tubular mount, topwind	15"	3,000	2,000	19.1
102814	Flange (weld) mount, sidewind	10"	3,000	2,000	17.0
102815	Tubular mount, sidewind	10"	3,000	2,000	14.0

10" Flange Mount Topwind



10" Tubular Mount Topwind



15" A-Frame Topwind



10" Tubular Mount Sidewind



15" Tubular Mount Sidewind



5,000 lb. Jack

Topwind and Sidewind styles

SKU/Part#	Description	Lift Height	Static Capacity (lbs.)	Lift Capacity (lbs.)	Weight (lbs.)
102816	Flange (weld) mount, topwind	10"	7,000	5,000	16.4
102817	Tubular mount, topwind	10"	7,000	5,000	15.3
102818	Flange (weld) mount, topwind	15"	7,000	5,000	20.9
102819	Tubular mount, topwind	15"	7,000	5,000	19.8
102820	A-frame, topwind	15"	7,000	5,000	13.7
102821	Flange (weld) mount, sidewind	10"	7,000	5,000	12.6
102822	Tubular mount, sidewind	10"	7,000	5,000	16.9
102823	Flange (weld) mount, sidewind	15"	7,000	5,000	20.4
102824	Tubular mount, sidewind	15"	7,000	5,000	19.8
102825	Square direct weld, sidewind	15"	8,000	5,000	26.0

10,000 lb. Jack

Square Sidewind style



SKU/Part#	Description	Lift Height	Static Capacity (lbs.)	Lift Capacity (lbs.)	Weight (lbs.)
102826	Square direct weld, sidewind	12-1/2"	12,000	10,000	57.0

Trailer Jack Replacement Parts

Common replacement parts for trailer jacks.



Sidewind Handle Assembly



Topwind Handle Assembly



Sidewind Knob



Topwind Knob



Removable Foot



Wheel with Nut & Bolt



Caster Assembly



Large Bearing



Circlip Retaining Ring



Weld-on Tube Mount



Detent Pin



Sidewind Gear Assembly

SKU/Part#	Description	Trailer Jack Style
102827	Sidewind handle assembly	2,000 lb. sidewind
102828	Sidewind handle assembly	5,000 lb. sidewind
102829	Topwind handle assembly	2,000 lb. /5,000 topwind
102830	Topwind knob	All topwind jacks
102831	Sidewind knob	All sidewind jacks
102832	Removable foot, base repair kit	All jacks
102833	Wheel with nut and bolt	Replacement wheel for Caster Assembly Part #102808
102834	Caster assembly, complete	Retrofit for all jacks to 5,000 lbs.
102835	Flange mount L-bracket	All flange mount jacks to 5,000 lbs.
102836	Thrust bearing	All 2,000 lbs. jacks
102837	Large bearing	All 5,000 lbs. jacks
102838	Circlip retaining ring	All flange mount jacks to 5,000 lbs.
102839	Weld-on tube mount 9/16"	Tube mount jacks with 9/16" tube mount
102840	Weld-on tube mount 5/8"	Tube mount jacks with 5/8" tube mount
102841	Detent pin	Tube mount jacks with 5/8" tube mount hole
102842	Sidewind gear kit	2,000 lb. sidewind jacks
102843	Sidewind gear kit	5,000 lb. sidewind jacks
102844	Caster assembly, complete	Retrofit for all jacks to 5,000 lbs.

Ratchet and implement jacks for a variety of uses including adjustment of implements and equipment.



Ratchet Jack



Turnbuckle
Implement Jack



Ratchet Jack
Handle



Hydraulic Cylinder
Clip Pin

SKU/Part#	Description	Weight (lbs.)
102845	Heavy duty ratchet jack with 1-1/4" ACME threads and grease zerks, adjustable from 20" closed to 28" open, includes 1" clevis pins and handle, black	15
102846	Heavy duty ratchet jack with 1-1/4" ACME threads and grease zerks, adjustable from 20" closed to 28" open, includes 1" clevis pins and handle, primer	15
102847	Turnbuckle implement jack with 1-1/4" NC threads, adjustable from 20" closed to 28" open, 1" clevis pin holes, red	11
102848	Handle for ratchet jacks, plated	0.75
102849	Clip pin for 1" diameter hydraulic cylinder pins, plated	0.10

Quick Hitches

Quick hitches for easy attachment and release of 3-point implements. Front mount quick hitch for use with Category 1, 3-point implements on front of tractor or loader.



SKU/Part#	Description	Maximum Recommended Horse Power	Weight (lbs.)
102850	Category 1 Quick Hitch, fits most Category 1 tractors and implements, adjustable top link bracket.	45	66
102851	Category 1 Quick Hitch, fits most Category 1 tractors and implements, adjustable top link bracket, includes 7/8" mounting pins and adapter bushings, 27-1/4" width.	45	76
102852	Front Mount Quick Hitch, fits most skid steer loaders or tractors with skid steer compatible quick attach systems.	-	125
102853	Category 2 Standard Quick Hitch, fits most Category 2 tractors and implements, adjustable top link bracket, includes 1-1/8" mounting pins and adapter bushings, 32" width.	100	134
102854	Category 2 Heavy Duty Quick Hitch, fits most Category 2 tractors and implements, includes 1-1/8" mounting pins and adapter bushings, 32" width.	150	160
102855	Category 2/3 Quick Hitch, fits most Category 2 & 3 tractors with Category 3 equipment, 1-7/16" mounting pins, 38" width.	225	196
102856	Category 3 Narrow Quick Hitch, fits most Category 3 tractors with Category 3 equipment, 1-7/16" mounting pins, 32" width.	225	176
102857	Category 3 Quick Hitch, fits most Category 3 tractors with Category 3 equipment, 1-7/16" mounting pins, 38" width.	225	182

Quick Hitch Parts and Accessories



Cat 1 Mounting Pin



Cat 2 Mounting Pin



Adapter Kit



Cat 1 Quick Hitch Adapter

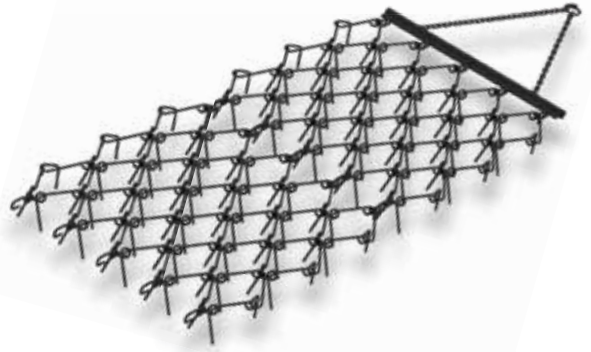


Non Compliant ASABE Adapter

SKU/Part#	Description	Weight (lbs.)
102858	Skid Steer Mount without attachments	50
102859	7/8" mounting pin for Part #102851, Category 1 Quick Hitch (2 required per unit)	0.6
102860	Mounting Pin for Part #102853, Category 2 Quick Hitch (2 required per unit)	1.2
102076	Adapter Kit with roll pins and bushings for Part #102853 and Part #102854	2.3
102074	Adapter Kit with roll pins and bushings for Part #102851	3.1
102863	Adapter for Part #102851 Category 1 Quick Hitch	5.4
102864	Adapter for non-compliant Category 1 ASABE implements	6.0
102865	32" left hand tongue for Category 2 hitch	21.1
102866	32" right hand tongue for Category 2 hitch	20

Drag Harrows

Drag Harrows are used for soil cultivation to smooth and even out the ground as well as loosen it after it has been freshly plowed and packed. Tines are constructed of strong materials to eliminate breakage and provide long wear life.



SKU/Part#	Description	Weight (lbs.)
100670	4' x 4' Drag Harrow	89
100711	4' x 8' Drag Harrow	165
100712	6' x 8' Drag Harrow	263
100713	8' x 8' Drag Harrow	361

Manure Spreader

8 cubic foot manure spreader made of corrosion-resistant aluminum, steel tongue and handle, with industrial grade locking hubs and chain driven agitator. Adjustable tension trap door and chain tensioner with chain guard. Includes clevis hitch attachment.

**COMING
SOON**

SKU/Part#	Description	Weight (lbs.)
100813	Manure spreader attaches to garden tractor or ATV with 2" ball coupler.	180

Easy Tie

The Easy-Tie provides a safe and effective way to tether your horse. Trailer-mounted tether design allows secure attachment in seconds, allowing the horse freedom of movement.



SKU/Part#	Description
100814	Easy-Tie trailer-mounted horse tether.

Post Hole Digger Augers

6", 9", 12", 18" and 24" augers for Dirty Hand Tools
Post Hole Diggers.



SKU/Part#	Description	Weight (lbs.)
101017	6" Dia. Compact Auger	32
101018	9" Dia. Compact Auger	34
101019	12" Dia. Compact Auger	45
100499	6" Dia. Heavy Duty Auger	38
100500	9" Dia. Heavy Duty Auger	47
100501	12" Dia. Heavy Duty Auger	63
101020	18" Dia. Heavy Duty Auger	70
101021	24" Dia. Heavy Duty Auger	120

Auger Replacement Parts



100619



100620



104081



104082



104448



104449



104450



104900



104901



107138



107274



107275



107277



107278

SKU/Part#	Description	Weight (lbs.)
100619	Heavy Duty Auger Cutting Tooth for 6", 9", 12", 18" and 24" augers	0.65
107138	Heavy Duty Auger Cutting Teeth (2) for 6" and 9" augers	1.35
107274	Heavy Duty Auger Cutting Teeth (4) for 12" and 18" augers	2.70
107275	Heavy Duty Auger Cutting Teeth (6) for 24" auger	4.00
107192	Heavy Duty Auger Tip for 6", 9", 12", 18" and 24" augers, UPC packaged	6.15
100620	Heavy Duty Auger Tip for 6", 9", 12", 18" and 24" augers, bulk	6.15
104081	Compact Auger Cutting Tooth for 6" auger	0.35
104082	Compact Auger Cutting Teeth (2) for 6" auger	0.75
104449	Compact Auger Cutting Tooth for 9" auger (outside)	0.45
104900	Compact Auger Cutting Tooth for 9" auger (inside)	0.50
104450	Compact Auger Cutting Tooth for 12" auger (outside)	0.75
104901	Compact Auger Cutting Tooth for 12" auger (inside)	0.70
107277	Compact Auger Cutting Teeth (2) for 9" auger	0.75
107278	Compact Auger Cutting Teeth (2) for 12" auger	1.45
104448	Compact Auger Tip for 6", 9" and 12" augers, bulk	2.80
107184	Compact Auger Tip for 6", 9" and 12" augers, UPC packaged	2.90



The All-Terrain Barrow is a heavy duty wheel barrow with an extra wide, all terrain, puncture proof tire that easily traverses sand, gravel, rocky soils, and muddy surfaces.

SKU/Part#	Description	Weight (lbs.)
107326	All-Terrain Barrow	44

RanchEx
Wire Gripper
 Safely holds wire in place during fence maintenance



RanchEx Part # 102563

- Works with cable, barbed and smooth wire
- Slip wire into collar, attach come-along to ring and stretch
- Use protective eyewear and gloves when installing

RanchEx
Deluxe Wheel Spinner
 Easily attaches to tractor and off-road vehicles, allowing wheels to be rotated.



- Ergonomic handle
- Changeable strap
- Durable lighting
- Makes turning easy
- Fast wheel rotation
- Wide wheel tolerance

RanchEx
Shaft Bolt Collar

RanchEx Part # 102564
 5/16" Bore x 1/32" Width
 10-24 x 1.5" Shaft Length
 Qty: 1 ea.

RanchEx Part # 102565
 3/8" Bore x 1/32" Width
 10-24 x 1.5" Shaft Length
 Qty: 1 ea.

RanchEx
Rope Wire Stretcher

- Stretches long lengths of fencing
- For use with barbed or smooth wire
- Makes fence repairs easy

RanchEx
Wire Stretcher

- Quickly tightens and stretches fencing
- For use with barbed or smooth wire
- Makes fence repairs easy
- Comfortable ergonomic handle grip

RanchEx
6 Inch Auger Hand Held Cutting Edge Kit (2-Pack)
 RanchEx Part # 102562



RanchEx
EASY GRIP MITCH PIN
 1/8 Inch Diameter



RanchEx
EASY GRIP MITCH PIN
 1/8 Inch Diameter



RanchEx
20 Inch Portable Tool Box

- Keep your tools accessible.
- For tractors, trucks and other equipment.
- Heavy duty steel construction.
- Available in black, red or green.
- Includes mounting brackets and hardware.



RanchEx
BARBED WIRE CARRIER

- Design allows free spinning of wire spool
- Easy installation of wire by one person
- Safely carry barbed wire
- Quickly unroll barbed wire



RanchEx Part # 102561

RanchEx
BARBED WIRE CARRIER

Barbed Wire Carrier makes fencing and fence repair easy to manage for one or two persons. The carrier allows the free spinning of the wire spool for fast unrolling of wire. The Barbed Wire Carrier is easy to attach to wire spools and safely transports barbed wire bundles.



RanchEx Part # 102562

RanchEx



Roller Chain #35
 3/8" Pitch x 10 feet

RanchEx Part # 102560



Part# & UPC Reference

SKU/ Part#	UPC# Reference	SKU/ Part#	UPC# Reference	SKU/ Part#	UPC# Reference	SKU/ Part#	UPC# Reference
102000	811882020006	102049	811882020488	102102	811882020969	102150	811882021447
102001	811882020013	102050	811882020495	102103	811882020976	102151	811882021454
102002	811882020020	102051	811882020501	102104	811882020983	102152	811882021461
102003	811882020037	102052	811882020518	102105	811882020990	102153	811882021478
102004	811882020044	102053	811882020525	102106	811882021003	102154	811882021485
102005	811882020051	102054	811882020532	102107	811882021010	102155	811882021492
102006	811882020068	102055	811882020549	102108	811882021027	102156	811882021508
102007	811882020075	102056	811882020556	102109	811882021034	102157	811882021515
102008	811882020082	102057	811882020563	102110	811882021041	102158	811882021522
102009	811882020099	102058	811882020570	102111	811882021058	102159	811882021539
102010	811882020105	102059	811882020587	102112	811882021065	102160	811882021546
102011	811882020112	102060	811882020594	102113	811882021072	102161	811882021553
102012	811882020129	102061	811882020600	102114	811882021089	102162	811882021560
102013	811882020136	102062	811882020617	102115	811882021096	102163	811882021577
102014	811882020143	102063	811882020624	102116	811882021102	102164	811882021584
102015	811882020150	102064	811882020631	102117	811882021119	102165	811882021591
102016	811882020167	102065	811882020648	102118	811882021126	102166	811882021607
102017	811882020174	102066	811882020655	102119	811882021133	102167	811882021614
102018	811882020181	102067	811882020662	102120	811882021140	102168	811882021621
102019	811882020198	102068	811882020679	102121	811882021157	102169	811882021638
102020	811882020204	102069	811882020686	102122	811882021164	102170	811882021645
102021	811882020211	102070	811882020693	102123	811882021171	102171	811882021652
102022	811882020228	102071	811882020709	102124	811882021188	102172	811882021669
102023	811882020235	102072	811882020716	102125	811882021195	102173	811882021676
102024	811882020242	102073	811882020723	102126	811882021201	102174	811882021683
102025	811882020259	102074	811882020730	102127	811882021218	102175	811882021690
102026	811882020266	102075	811882020747	102128	811882021225	102176	811882021706
102027	811882020273	102076	811882020754	102129	811882021232	102177	811882021713
102028	811882020280	102077	811882020761	102130	811882021249	102178	811882021720
102029	811882020297	102078	811882020778	102131	811882021256	102179	811882021737
102030	811882020303	102079	811882020785	102132	811882021263	102180	811882021744
102031	811882020310	102080	811882020792	102133	811882021270	102181	811882021751
102032	811882020327	102081	811882020808	102134	811882021287	102182	811882021768
102033	811882020334	102082	811882020815	102135	811882021294	102183	811882021775
102034	811882020341	102083	811882020822	102136	811882021300	102184	811882021782
102035	811882020358	102084	811882020839	102137	811882021317	102185	811882021799
102036	811882020365	102085	811882020846	102138	811882021324	102186	811882021805
102037	811882020372	102086	811882020853	102139	811882021331	102187	811882021812
102039	811882020389	102087	811882020860	102140	811882021348	102188	811882021829
102040	811882020396	102088	811882020877	102141	811882021355	102189	811882021836
102041	811882020402	102094	811882020884	102142	811882021362	102190	811882021843
102042	811882020419	102095	811882020891	102143	811882021379	102191	811882021850
102043	811882020426	102096	811882020907	102144	811882021386	102192	811882021867
102044	811882020433	102097	811882020914	102145	811882021393	102193	811882021874
102045	811882020440	102098	811882020921	102146	811882021409	102194	811882021881
102046	811882020457	102099	811882020938	102147	811882021416	102195	811882021898
102047	811882020464	102100	811882020945	102148	811882021423	102196	811882021904
102048	811882020471	102101	811882020952	102149	811882021430	102197	811882021911

SKU/ Part#	UPC# Reference	SKU/ Part#	UPC# Reference	SKU/ Part#	UPC# Reference	SKU/ Part#	UPC# Reference
102198	811882021928	102246	811882022406	102294	811882022888	102342	811882023366
102199	811882021935	102247	811882022413	102295	811882022895	102343	811882023373
102200	811882021942	102248	811882022420	102296	811882022901	102344	811882023380
102201	811882021959	102249	811882022437	102297	811882022918	102345	811882023397
102202	811882021966	102250	811882022444	102298	811882022925	102346	811882023403
102203	811882021973	102251	811882022451	102299	811882022932	102347	811882023410
102204	811882021980	102252	811882022468	102300	811882022949	102348	811882023427
102205	811882021997	102253	811882022475	102301	811882022956	102349	811882023434
102206	811882022000	102254	811882022482	102302	811882022963	102350	811882023441
102207	811882022017	102255	811882022499	102303	811882022970	102351	811882023458
102208	811882022024	102256	811882022505	102304	811882022987	102352	811882023465
102209	811882022031	102257	811882022512	102305	811882022994	102353	811882023472
102210	811882022048	102258	811882022529	102306	811882023007	102354	811882023489
102211	811882022055	102259	811882022536	102307	811882023014	102355	811882023496
102212	811882022062	102260	811882022543	102308	811882023021	102356	811882023502
102213	811882022079	102261	811882022550	102309	811882023038	102357	811882023519
102214	811882022086	102262	811882022567	102310	811882023045	102358	811882023526
102215	811882022093	102263	811882022574	102311	811882023052	102359	811882023533
102216	811882022109	102264	811882022581	102312	811882023069	102360	811882023540
102217	811882022116	102265	811882022598	102313	811882023076	102361	811882023557
102218	811882022123	102266	811882022604	102314	811882023083	102362	811882023564
102219	811882022130	102267	811882022611	102315	811882023090	102363	811882023571
102220	811882022147	102268	811882022628	102316	811882023106	102364	811882023588
102221	811882022154	102269	811882022635	102317	811882023113	102365	811882023595
102222	811882022161	102270	811882022642	102318	811882023120	102366	811882023601
102223	811882022178	102271	811882022659	102319	811882023137	102367	811882023618
102224	811882022185	102272	811882022666	102320	811882023144	102368	811882023625
102225	811882022192	102273	811882022673	102321	811882023151	102369	811882023632
102226	811882022208	102274	811882022680	102322	811882023168	102370	811882023649
102227	811882022215	102275	811882022697	102323	811882023175	102371	811882023656
102228	811882022222	102276	811882022703	102324	811882023182	102372	811882023663
102229	811882022239	102277	811882022710	102325	811882023199	102373	811882023670
102230	811882022246	102278	811882022727	102326	811882023205	102374	811882023687
102231	811882022253	102279	811882022734	102327	811882023212	102375	811882023694
102232	811882022260	102280	811882022741	102328	811882023229	102376	811882023700
102233	811882022277	102281	811882022758	102329	811882023236	102377	811882023717
102234	811882022284	102282	811882022765	102330	811882023243	102378	811882023724
102235	811882022291	102283	811882022772	102331	811882023250	102379	811882023731
102236	811882022307	102284	811882022789	102332	811882023267	102380	811882023748
102237	811882022314	102285	811882022796	102333	811882023274	102381	811882023755
102238	811882022321	102286	811882022802	102334	811882023281	102382	811882023762
102239	811882022338	102287	811882022819	102335	811882023298	102383	811882023779
102240	811882022345	102288	811882022826	102336	811882023304	102384	811882023786
102241	811882022352	102289	811882022833	102337	811882023311	102385	811882023793
102242	811882022369	102290	811882022840	102338	811882023328	102386	811882023809
102243	811882022376	102291	811882022857	102339	811882023335	102387	811882023816
102244	811882022383	102292	811882022864	102340	811882023342	102388	811882023823
102245	811882022390	102293	811882022871	102341	811882023359	102389	811882023830

Part# & UPC Reference

SKU/ Part#	UPC# Reference	SKU/ Part#	UPC# Reference	SKU/ Part#	UPC# Reference	SKU/ Part#	UPC# Reference
102390	811882023847	102439	811882024325	102487	811882024806	102535	811882025285
102391	811882023854	102440	811882024332	102488	811882024813	102536	811882025292
102392	811882023861	102441	811882024349	102489	811882024820	102537	811882025308
102393	811882023878	102442	811882024356	102490	811882024837	102538	811882025315
102394	811882023885	102443	811882024363	102491	811882024844	102539	811882025322
102395	811882023892	102444	811882024370	102492	811882024851	102540	811882025339
102396	811882023908	102445	811882024387	102493	811882024868	102541	811882025346
102397	811882023915	102446	811882024394	102494	811882024875	102542	811882025353
102398	811882023922	102447	811882024400	102495	811882024882	102543	811882025360
102399	811882023939	102448	811882024417	102496	811882024899	102544	811882025377
102400	811882023946	102449	811882024424	102497	811882024905	102545	811882025384
102401	811882023953	102450	811882024431	102498	811882024912	102546	811882025391
102402	811882023960	102451	811882024448	102499	811882024929	102547	811882025407
102403	811882023977	102452	811882024455	102500	811882024936	102548	811882025414
102404	811882023984	102453	811882024462	102501	811882024943	102549	811882025421
102405	811882023991	102454	811882024479	102502	811882024950	102550	811882025438
102406	811882024004	102455	811882024486	102503	811882024967	102551	811882025445
102407	811882024011	102456	811882024493	102504	811882024974	102552	811882025452
102408	811882024028	102457	811882024509	102505	811882024981	102553	811882025469
102409	811882024035	102458	811882024516	102506	811882024998	102554	811882025476
102410	811882024042	102459	811882024523	102507	811882025001	102555	811882025483
102411	811882024059	102460	811882024530	102508	811882025018	102556	811882025490
102412	811882024066	102461	811882024547	102509	811882025025	102557	811882025506
102413	811882024073	102462	811882024554	102510	811882025032	102558	811882025513
102414	811882024080	102463	811882024561	102511	811882025049	102559	811882025520
102415	811882024097	102464	811882024578	102512	811882025056	102560	811882025537
102416	811882024103	102465	811882024585	102513	811882025063	102561	811882025544
102417	811882024110	102466	811882024592	102514	811882025070	102562	811882025551
102418	811882024127	102467	811882024608	102515	811882025087	102563	811882025568
102419	811882024134	102468	811882024615	102516	811882025094	102564	811882025575
102420	811882024141	102469	811882024622	102517	811882025100	102565	811882025582
102421	811882024158	102470	811882024639	102518	811882025117	102566	811882025599
102422	811882024165	102471	811882024646	102519	811882025124	102567	811882025605
102423	811882024172	102472	811882024653	102520	811882025131	102568	811882025612
102424	811882024189	102473	811882024660	102521	811882025148	102569	811882025629
102425	811882024196	102474	811882024677	102522	811882025155	102570	811882025636
102426	811882024202	102475	811882024684	102523	811882025162	102571	811882025643
102427	811882024219	102476	811882024691	102524	811882025179	102572	811882025650
102428	811882024226	102477	811882024707	102525	811882025186	102573	811882025667
102430	811882024233	102478	811882024714	102526	811882025193	102574	811882025674
102431	811882024240	102479	811882024721	102527	811882025209	102575	811882025681
102432	811882024257	102480	811882024738	102528	811882025216	102576	811882025698
102433	811882024264	102481	811882024745	102529	811882025223	102577	811882025704
102434	811882024271	102482	811882024752	102530	811882025230	102578	811882025711
102435	811882024288	102483	811882024769	102531	811882025247	102579	811882025728
102436	811882024295	102484	811882024776	102532	811882025254	102580	811882025735
102437	811882024301	102485	811882024783	102533	811882025261	102581	811882025742
102438	811882024318	102486	811882024790	102534	811882025278	102582	811882025759

SKU/ Part#	UPC# Reference	SKU/ Part#	UPC# Reference	SKU/ Part#	UPC# Reference	SKU/ Part#	UPC# Reference
102583	811882025766	102631	811882026244	102679	811882026725	102727	811882027203
102584	811882025773	102632	811882026251	102680	811882026732	102728	811882027210
102585	811882025780	102633	811882026268	102681	811882026749	102729	811882027227
102586	811882025797	102634	811882026275	102682	811882026756	102730	811882027234
102587	811882025803	102635	811882026282	102683	811882026763	102731	811882027241
102588	811882025810	102636	811882026299	102684	811882026770	102732	811882027258
102589	811882025827	102637	811882026305	102685	811882026787	102733	811882027265
102590	811882025834	102638	811882026312	102686	811882026794	102734	811882027272
102591	811882025841	102639	811882026329	102687	811882026800	102735	811882027289
102592	811882025858	102640	811882026336	102688	811882026817	102736	811882027296
102593	811882025865	102641	811882026343	102689	811882026824	102737	811882027302
102594	811882025872	102642	811882026350	102690	811882026831	102738	811882027319
102595	811882025889	102643	811882026367	102691	811882026848	102739	811882027326
102596	811882025896	102644	811882026374	102692	811882026855	102740	811882027333
102597	811882025902	102645	811882026381	102693	811882026862	102741	811882027340
102598	811882025919	102646	811882026398	102694	811882026879	102742	811882027357
102599	811882025926	102647	811882026404	102695	811882026886	102743	811882027364
102600	811882025933	102648	811882026411	102696	811882026893	102744	811882027371
102601	811882025940	102649	811882026428	102697	811882026909	102745	811882027388
102602	811882025957	102650	811882026435	102698	811882026916	102746	811882027395
102603	811882025964	102651	811882026442	102699	811882026923	102747	811882027401
102604	811882025971	102652	811882026459	102700	811882026930	102748	811882027418
102605	811882025988	102653	811882026466	102701	811882026947	102749	811882027425
102606	811882025995	102654	811882026473	102702	811882026954	102750	811882027432
102607	811882026008	102655	811882026480	102703	811882026961	102751	811882027449
102608	811882026015	102656	811882026497	102704	811882026978	102752	811882027456
102609	811882026022	102657	811882026503	102705	811882026985	102753	811882027463
102610	811882026039	102658	811882026510	102706	811882026992	102754	811882027470
102611	811882026046	102659	811882026527	102707	811882027005	102755	811882027487
102612	811882026053	102660	811882026534	102708	811882027012	102756	811882027494
102613	811882026060	102661	811882026541	102709	811882027029	102757	811882027500
102614	811882026077	102662	811882026558	102710	811882027036	102758	811882027517
102615	811882026084	102663	811882026565	102711	811882027043	102759	811882027524
102616	811882026091	102664	811882026572	102712	811882027050	102760	811882027531
102617	811882026107	102665	811882026589	102713	811882027067	102761	811882027548
102618	811882026114	102666	811882026596	102714	811882027074	102762	811882027555
102619	811882026121	102667	811882026602	102715	811882027081	102763	811882027562
102620	811882026138	102668	811882026619	102716	811882027098	102764	811882027579
102621	811882026145	102669	811882026626	102717	811882027104	102765	811882027586
102622	811882026152	102670	811882026633	102718	811882027111	102766	811882027593
102623	811882026169	102671	811882026640	102719	811882027128	102767	811882027609
102624	811882026176	102672	811882026657	102720	811882027135	102768	811882027616
102625	811882026183	102673	811882026664	102721	811882027142	102769	811882027623
102626	811882026190	102674	811882026671	102722	811882027159	102770	811882027630
102627	811882026206	102675	811882026688	102723	811882027166	102771	811882027647
102628	811882026213	102676	811882026695	102724	811882027173	102772	811882027654
102629	811882026220	102677	811882026701	102725	811882027180	102773	811882027661
102630	811882026237	102678	811882026718	102726	811882027197	102774	811882027678

Part# & UPC Reference

SKU/ Part#	UPC# Reference	SKU/ Part#	UPC# Reference	SKU/ Part#	UPC# Reference	SKU/ Part#	UPC# Reference
102775	811882027685	102823	811882028163	100016	811882028644		
102776	811882027692	102824	811882028170	100393	811882028651		
102777	811882027708	102825	811882028187	100762	811882028668		
102778	811882027715	102826	811882028194	100763	811882028675		
102779	811882027722	102827	811882028200	100085	811882028682		
102780	811882027739	102828	811882028217	100219	811882028699		
102781	811882027746	102829	811882028224	100341	811882028705		
102782	811882027753	102830	811882028231	100761	811882028712		
102783	811882027760	102831	811882028248	100670	811882028729		
102784	811882027777	102832	811882028255	100711	811882028736		
102785	811882027784	102833	811882028262	100712	811882028743		
102786	811882027791	102834	811882028279	100713	811882028750		
102787	811882027807	102835	811882028286	100813	811882028767		
102788	811882027814	102836	811882028293	100814	811882028774		
102789	811882027821	102837	811882028309	101017	856206004331		
102790	811882027838	102838	811882028316	101018	856206004348		
102791	811882027845	102839	811882028323	101019	856206004355		
102792	811882027852	102840	811882028330	100499	856206004362		
102793	811882027869	102841	811882028347	100500	856206004379		
102794	811882027876	102842	811882028354	100501	856206004386		
102795	811882027883	102843	811882028361	101020	856206004393		
102796	811882027890	102844	811882028378	101021	856206004409		
102797	811882027906	102845	811882028385	104082	811882028835		
102798	811882027913	102846	811882028392	107277	811882029962		
102799	811882027920	102847	811882028408	107278	811882029979		
102800	811882027937	102848	811882028415	107138	811882029818		
102801	811882027944	102849	811882028422	107274	811882029931		
102802	811882027951	102850	811882028439	107275	811882029948		
102803	811882027968	102851	811882028446	100619	811882029832		
102804	811882027975	102852	811882028453	100620	819157020058		
102805	811882027982	102853	811882028460	104081	819157020065		
102806	811882027999	102854	811882028477	104082	811882028835		
102807	811882028002	102855	811882028484	104448	819157020072		
102808	811882028019	102856	811882028491	104449	819157020089		
102809	811882028026	102857	811882028507	104450	819157020096		
102810	811882028033	102858	811882028514	104900	819157020102		
102811	811882028040	102859	811882028521	104901	819157020119		
102812	811882028057	102860	811882028538	107138	811882029818		
102813	811882028064	102862	811882028545	107184	811882029986		
102814	811882028071	102863	811882028552	107192	811882029993		
102815	811882028088	102864	811882028569	107274	811882029931		
102816	811882028095	102865	811882028576	107275	811882029948		
102817	811882028101	102866	811882028583	107277	811882029962		
102818	811882028118	100764	811882028590	107278	811882029979		
102819	811882028125	100158	811882028606	107326	819157020126		
102820	811882028132	100479	811882028613				
102821	811882028149	100765	811882028620				
102822	811882028156	100766	811882028637				



For Service or Questions

Call 1-877-487-8275

720-287-5182

www.ranchex.com

RanchEx and Dirty Hand Tools
are registered brands of



FrictionlessWorld®

1100 West 120th Avenue • Suite 600
Westminster, CO 80234 • 720-287-5182

Copyright © 2017 by Frictionless World, LLC., all rights reserved.

All materials appearing in this catalog are copyrighted and may not be reproduced, transmitted or stored in a retrieval system without prior written permission of Frictionless World.





FrictionlessWorld®

1100 West 120th Ave., #600 Westminster, CO 80234

RanchEx and Dirty Hand Tools
are brands and registered trademarks
of Frictionless World.



www.RanchEx.com