

**PRODUCT
GUIDE**

CES

2021

VOXX Accessories
SM Corporation

A VOXX INTERNATIONAL COMPANY

- › SURFACE UVC SANITIZATION
- › SINGSATION KARAOKE
- › RCA ANTENNAS
- › RCA CLOCKS
- › RCA REMOTES
- › RCA UNIVERSAL WALL MOUNTS
- › RCA CONNECTIVITY
- › TERK ANTENNAS & ACCESSORIES
- › PROJECT NURSERY
- › MYGUARD WATER SHUTOFF
- › JENSEN AUDIO & ACCESSORIES
- › AR WIRELESS SPEAKERS & ACCESSORIES
- › 808
- › MISCELLANEOUS, CLEANING & CARE
- › VOXX WEBSITES



UVC SANITIZERS

NEW SUVC300



surface[™]
above and beyond clean[™]

STEREO ALARM CLOCK WITH UVC SANITIZER

Model# SUVC300
master pack :: 2
upc :: 0 444714020 4
One-Year Limited Warranty

- Revolutionary bacteria-zapping technology kills up to 99.9% of bacteria and viruses in minutes
- Multiple UVC LEDs and mirrored interior maximize coverage to sanitize all surface areas
- Bluetooth® 5.0 stereo audio
- USB charging port - charge and sanitize your device
- Compatible with smartphones, watches, earphones, keys and more
- Dimmable night light
- FM radio
- Dual alarm
- AC power adapter included



 **Bluetooth**[®]

**STREAM YOUR FAVORITE
MUSIC WIRELESSLY.**



SINGSATION™

KARAOKE PARTY SYSTEMS

NEW SPKA25 - (COLORS) - Star Burst

SPKA30Q - Classic

SPKA710 - Performer Deluxe

SPKA800 - Main Stage

MIC100A - Wired Microphone

SINGSATION™

STAR BURST

ALL-IN-ONE KARAOKE PARTY SYSTEM



SPKA25

Color :: Black
Master Pack :: 2
UPC :: 044476136931
90-Day Limited Warranty

SPKA25PK

Color :: Pink
Master Pack :: 2
UPC :: 044476137167
90-Day Limited Warranty



ROOM-FILLING LIGHT SHOW

Features:

- » Pair to your phone or tablet and sing along to your favorite music or YouTube® karaoke videos
- » Works with all karaoke apps
- » Room-effects light globe and front LED light show
- » 10 light functions
- » 6 amazing sound effects
- » 5 professional-quality voice effects
- » AC power supply
- » Dual mic inputs for duets
- » 8 AA batteries (sold separately)

Includes:

- » Speaker
- » 2 Microphones
- » AC power adapter



(2) Microphones included



**NO CDs
REQUIRED**

SINGSATION™

Check out our full line at singsationkaraoke.com

WORKS WITH 

CLASSIC

ALL-IN-ONE KARAOKE PARTY SYSTEM

SINGSATION™



SPKA30Q

Color :: Black
 Master Pack :: 2
 UPC :: 044476133305
 90-Day Limited Warranty

MULTI-COLOR LIGHT SHOW

Features:

- » Pair to your phone or tablet and sing along to your favorite music or YouTube® karaoke videos
- » 3 professional-quality voice effects
- » 9 color-changing light effect modes
- » Works with all karaoke apps
- » Dual mic inputs for duets
- » Echo control
- » AC power supply

Includes:

- » Speaker with built-in cradle to hold your smartphone, tablet or other device
- » Microphone
- » AC power adapter



Microphone included



NO CDs REQUIRED



SINGSATION™

Check out our full line at singsationkaraoke.com



SINGSATION™

PERFORMER DELUXE

ALL-IN-ONE KARAOKE PARTY SYSTEM



SPKA710
 Color :: Black
 Master Pack :: 2
 UPC :: 044476136672
 90-Day Limited Warranty

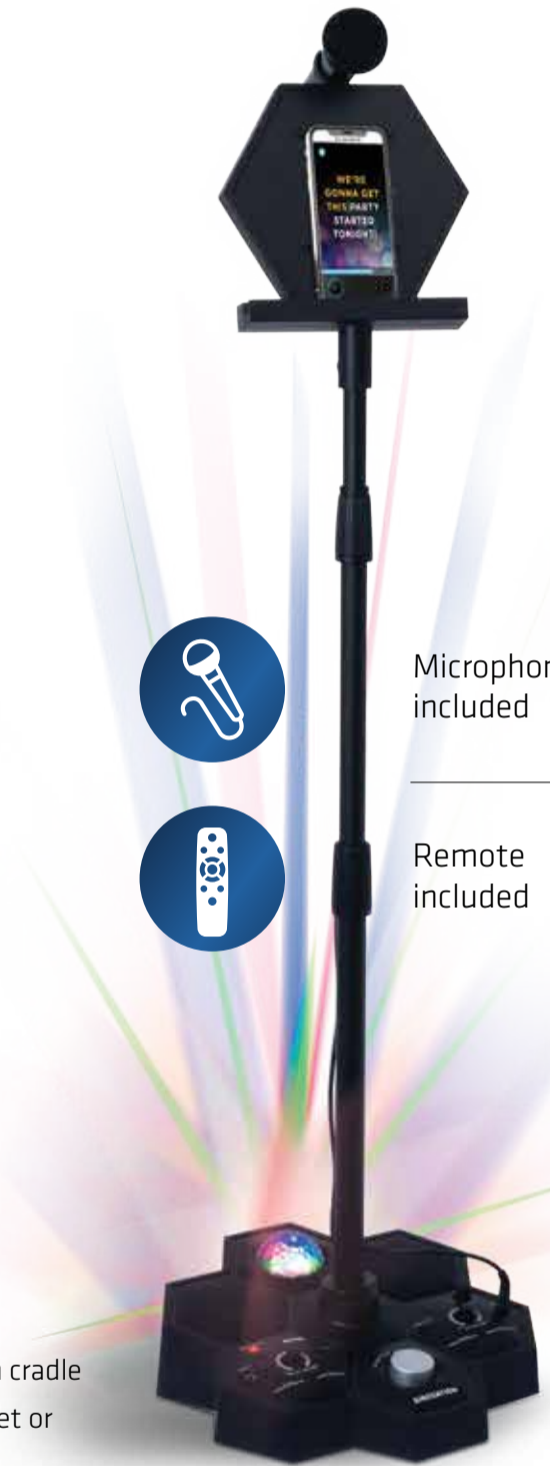
ROOM-FILLING LIGHT SHOW

Features:

- » Pair to your phone or tablet and sing along to your favorite music or YouTube® karaoke videos
- » 10 professional-quality voice effects
- » 16 room-filling light effect modes
- » 8 amazing sound effects
- » Works with all karaoke apps
- » Echo control
- » Dual mic inputs for duets
- » Light globe
- » Telescoping stand
- » AC power supply
- » Remote to conveniently control light, sound and voice effects

Includes:

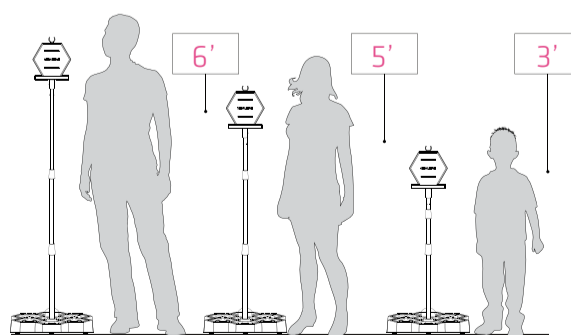
- » Speaker
- » Microphone
- » AC power adapter
- » Remote
- » Microphone stand with built-in cradle to hold your smartphone, tablet or other device



Microphone included



Remote included



TELESCOPING STAND



NO CDs REQUIRED

SINGSATION™

Check out our full line at singsationkaraoke.com



WORKS WITH

SINGSATION™

MAIN STAGE

ALL-IN-ONE KARAOKE PARTY SYSTEM

PERFORMANCE FLOOR PEDALS TO CONTROL LIGHT SHOW AND SOUND EFFECTS!



SPKA800

Color :: Black
 Master Pack :: 1
 UPC :: 044476134890
 90-Day Limited Warranty



ROOM-FILLING LIGHT SHOW

Features:

- » Sound like a Pro - pair to your phone or tablet and sing along; works with all karaoke apps
- » 60 professional-quality voice effects
- » 25 room-filling light effect modes
- » 10 amazing sound effects
- » Works with all karaoke apps
- » Massive 40 watt amplifier with 4 stereo drivers and 2 passive bass radiators
- » 3 Selective Presets - Storing your favorite voice settings is just a click away
- » Control lights and sounds with FX foot pedals
- » Operate all functions easily with the wireless remote

Includes:

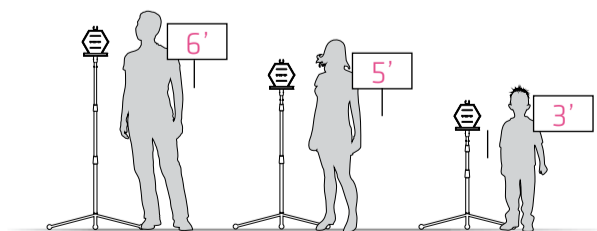
- » 40-Watt Speaker
- » 2 Microphones
- » AC power cable
- » Microphone stand
- » Remote Control



(2) Microphones included



Remote included



TELESCOPING STAND

SINGSATION™

Check out our full line at singsationkaraoke.com



SINGSATION™

WIRED MICROPHONE



MIC100A

Color :: Black
 Master Pack :: 6
 UPC :: 044476138584
 90-Day Limited Warranty



Features:

- » Dynamic microphone

Includes:

- » Dynamic microphone
- » 6' cord (attached)

SINGSATION™

Check out our full line at singsationkaraoke.com





ANTENNAS

NEW ANT1080E

ANT1100E

ANT111E

ANT1150E

NEW ANT118E

ANT121E

ANT1251E

ANT1360E

ANT1400E

ANT1450BE

ANT1520E

ANT1560E1

ANT1660E

ANT1750E

ANT2ME

ANT3036E

ANT3037E

ANT3038E

ANT310E

ANT3ME1

ANT4WHE1

ANT5400E

ANT650E

ANT705E

ANT751E

ANT752E

ANTENNA ACCESSORIES

AMP1450E

TVPRAMP12E

VH226E

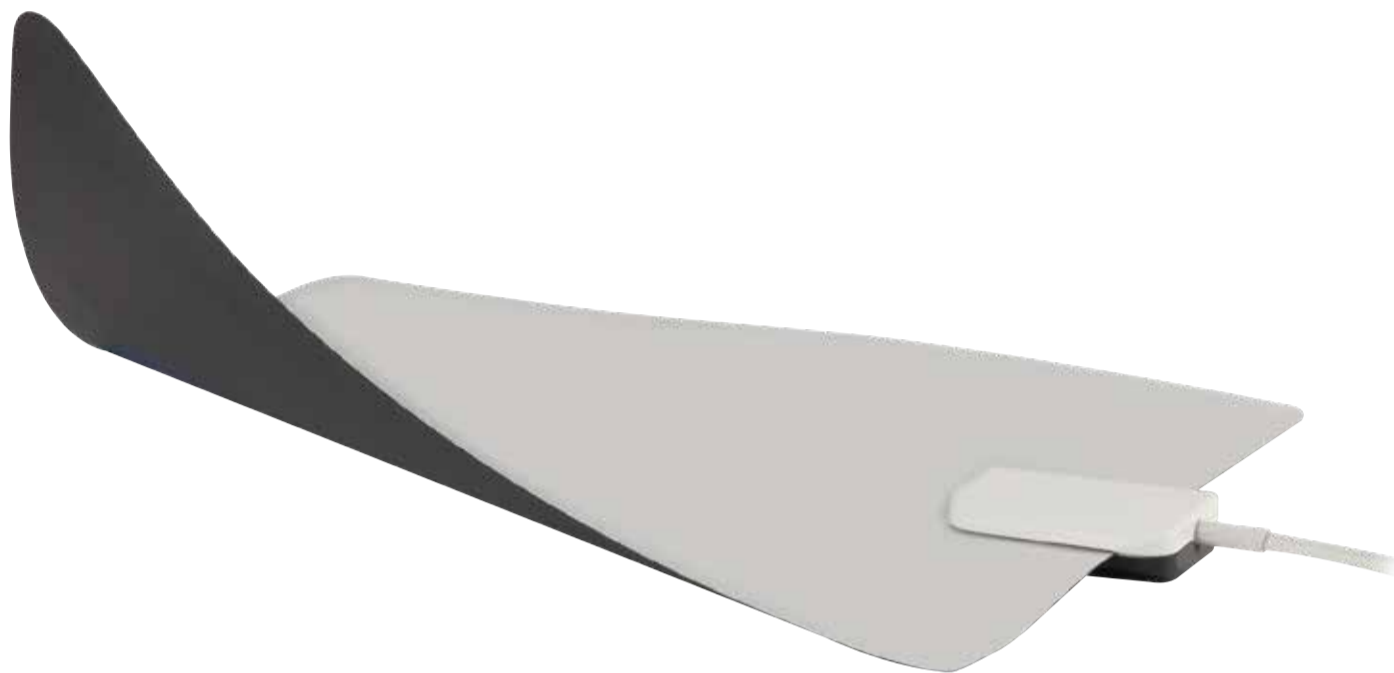
VHEXT8E

VHFC015E



Ultra-Thin HDTV Antenna Multi-Directional

Model# **ANT1080E**
 color :: black/white
 master pack :: 3
 upc :: 0 44476138973
 Lifetime Limited Warranty



GOLD

4K
AND
8K
ULTRA HD
COMPATIBLE

SUPPORTS
1080

LIFETIME
LIMITED
WARRANTY



360° Multi-Directional Reception
 capture signals from every direction, eliminating constant adjustments

FREE
Signal Finder App

The digital compass that gives you the most HD channels. Aligns your antenna perfectly!

- + Enjoy HDTV network programming and your favorite shows for Free. No monthly fee, no subscription, no contract.
- + Patented, 360° multi-directional design eliminates need for constant adjustments
- + Ultra-thin profile design blends with any decor and is two-sided, black and white
- + Receives TV broadcasts including 4K, 8K and 1080 HDTV for highest-quality picture and sound, both UHF and VHF stations
- + Hang antenna on the wall or window; includes removable two-sided mounting tape
- + 12' built-in coax cable
- + Great complement to streaming players
- + Dependable backup television source when storms knock out cable or satellite television

Designed & Engineered
IN THE USA

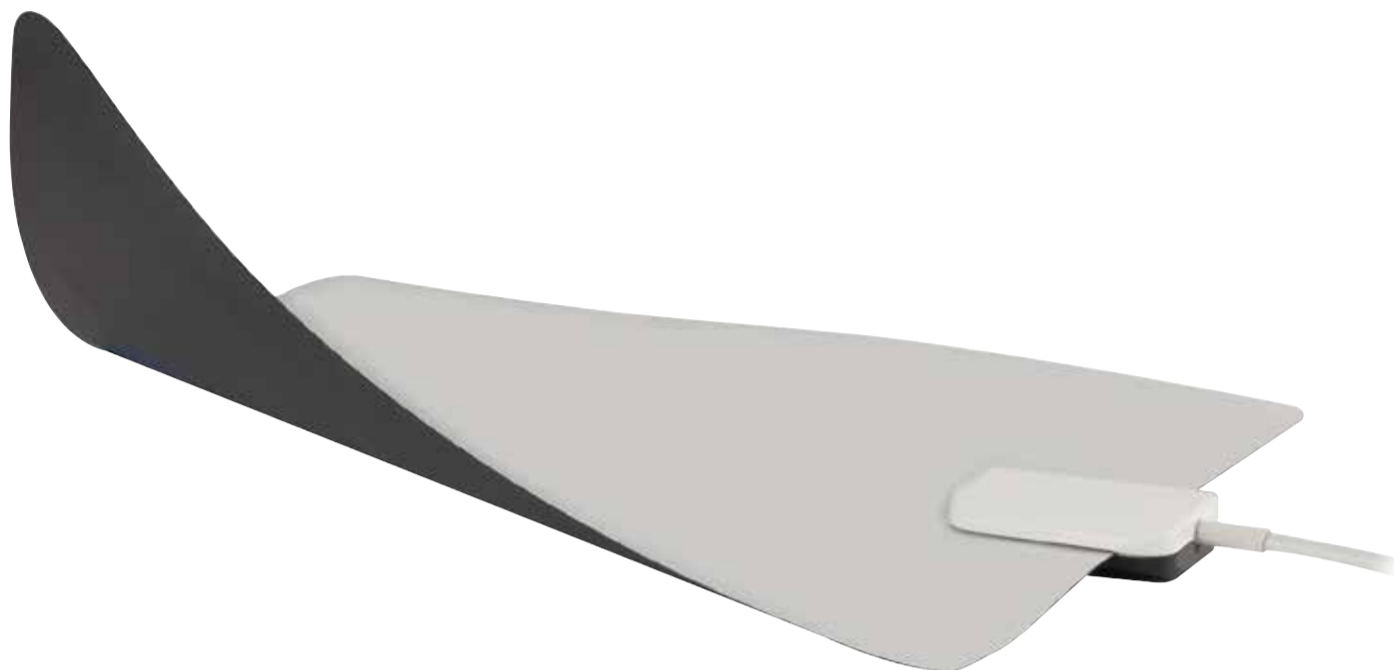
AMERICA'S #1 BEST SELLING ANTENNAS





Ultra-Thin HDTV Antenna Multi-Directional

Model# **ANT1100E**
 color :: black/white
 master pack :: 3
 upc :: 0 4447611808 1
 Lifetime Limited Warranty



GOLD

4K
AND
8K
ULTRA HD
COMPATIBLE

SUPPORTS
1080

LIFETIME
LIMITED
WARRANTY



360° Multi-Directional Reception
 capture signals from every direction, eliminating constant adjustments

FREE
Signal Finder App

The digital compass that gives you the most HD channels. Aligns your antenna perfectly!

- + Enjoy HDTV network programming and your favorite shows for Free. No monthly fee, no subscription, no contract.
- + Patented, 360° multi-directional design eliminates need for constant adjustments
- + Ultra-thin profile design blends with any decor and is two-sided, black and white
- + Receives TV broadcasts including 4K, 8K and 1080 HDTV for highest-quality picture and sound, both UHF and VHF stations
- + Hang antenna on the wall or window; includes removable two-sided mounting tape
- + 12' built-in coax cable
- + Great complement to streaming players
- + Dependable backup television source when storms knock out cable or satellite television

Designed & Engineered
IN THE USA

AMERICA'S #1 BEST SELLING ANTENNAS





Indoor HDTV Antenna

Model# **ANT111E**
 color :: black/silver
 master pack :: 6
 upc :: 0 7900033483 5
 Lifetime Limited Warranty



GOLD

4K
AND
8K
ULTRA HD
COMPATIBLE

SUPPORTS
1080

LIFETIME
LIMITED
WARRANTY

FREE
Signal Finder App



The digital compass that gives you the most HD channels. Aligns your antenna perfectly!

- + Enjoy HDTV network programming and your favorite shows for Free. No monthly fee, no subscription, no contract.
- + Integrated loop and extendable dipoles to receive most local channels
- + 4' 5" built-in coax cable
- + No-scuff pads protect your furniture's surface
- + Great complement to streaming players
- + Dependable backup television source when storms knock out cable or satellite television

Designed & Engineered
IN THE USA

AMERICA'S #1 BEST SELLING ANTENNAS



©2021 VOXX Accessories Corp. Indianapolis IN. A wholly-owned subsidiary of VOXX International Corporation. Products and Specifications Subject to Change. Reception quality and the channels received are dependent on several factors, including distance from the broadcast towers, broadcast power, line of sight, terrain and other environmental factors. **4K ultra HD broadcast availability will vary by area.



AMPLIFIED Ultra-Thin HDTV Antenna Multi-Directional

Model# **ANT1150E**

color :: black/white

master pack :: 3

upc :: 0 4447611809 8

Lifetime Limited Warranty

Accessories Included:

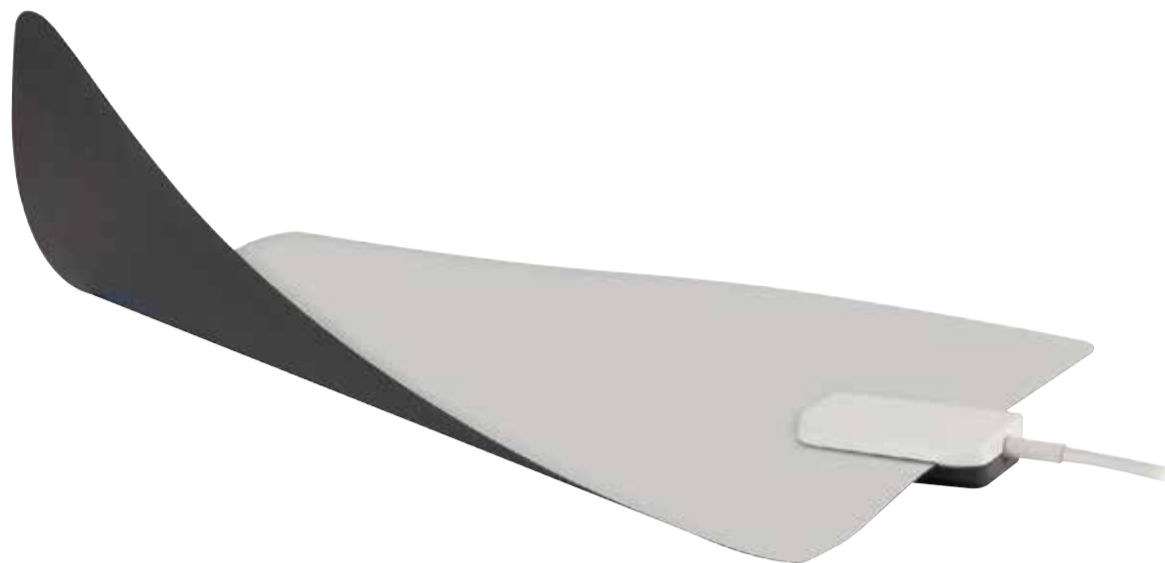
Power adapter

Amplifier for Maximum

Flexibility and Performance

USB power cable

Two-sided mounting tape



DUAL-Stage Amplification

The BEST reception and
clearest picture.

AUTOMATIC GAIN CONTROL

Delivers a precise amount of amplification
to give you the most channels possible.



FREE Signal Finder App



The digital compass
that gives you the most
HD channels. Aligns
your antenna perfectly!



360° Multi-Directional Reception

capture signals from every
direction, eliminating
constant adjustments

- + Enjoy HDTV network programming and your favorite shows for Free. No monthly fee, no subscription, no contract.
- + Patented, 360° multi-directional design eliminates need for constant adjustments
- + Ultra-thin profile design blends with any decor and is two-sided, black and white
- + **SMARTBOOST™** amplifier design outperforms all other brands and boosts weak signals
- + Receives TV broadcasts including 4K and 1080 HDTV for highest-quality picture and sound, both UHF and VHF stations
- + Hang antenna on the wall or window; includes removable two-sided mounting tape
- + 12' built-in coax cable
- + Great complement to streaming players
- + Dependable backup television source when storms knock out cable or satellite television



AMERICA'S #1 BEST SELLING ANTENNAS

FREE HDTV





Indoor HDTV Antenna

Model# **ANT118E**
 color :: grey/black/silver
 master pack :: 6
 upc :: 0 44476 13935 2
 Lifetime Limited Warranty



GOLD

4K
AND
8K
ULTRA HD
COMPATIBLE

SUPPORTS
1080

LIFETIME
LIMITED
WARRANTY

FREE
Signal Finder App



The digital compass that gives you the most HD channels. Aligns your antenna perfectly!

- + Enjoy HDTV network programming and your favorite shows for Free. No monthly fee, no subscription, no contract
- + Integrated loop and extendable dipoles to receive most local channels
- + 6' built-in coax cable
- + No-scuff pads protect your furniture's surface
- + Great complement to streaming players
- + Dependable backup television source when storms knock out cable or satellite television

Designed & Engineered
IN THE USA

AMERICA'S #1 BEST SELLING ANTENNAS



©2021 VOXX Accessories Corp. Indianapolis IN. A wholly-owned subsidiary of VOXX International Corporation. Products and Specifications Subject to Change. Reception quality and the channels received are dependent on several factors, including distance from the broadcast towers, broadcast power, line of sight, terrain and other environmental factors. **4K ultra HD broadcast availability will vary by area.



Indoor HDTV Antenna

Model# **ANT121E**
 color :: Grey/Black/Silver
 master pack :: 6
 upc :: 0 7900032246 7
 Lifetime Limited Warranty



GOLD

4K
AND
8K
ULTRA HD
COMPATIBLE

SUPPORTS
1080

LIFETIME
LIMITED
WARRANTY

FREE
Signal Finder App



The digital compass that gives you the most HD channels. Aligns your antenna perfectly!

- + Enjoy HDTV network programming and your favorite shows for Free. No monthly fee, no subscription, no contract.
- + 12-position switch fine tunes reception for best picture
- + Integrated loop and extendable dipoles to receive most local channels
- + 6' built-in coax cable
- + No-scuff pads protect your furniture's surface
- + Great complement to streaming players
- + Dependable backup television source when storms knock out cable or satellite television

Designed & Engineered
IN THE USA

AMERICA'S #1 BEST SELLING ANTENNAS





Amplified Indoor HDTV Antenna

Model# **ANT1251E**
 color :: black/silver
 master pack :: 3
 upc :: 0 7900033485 9
 Lifetime Limited Warranty



GOLD

4K
AND
8K
ULTRA HD
COMPATIBLE

SUPPORTS
1080

LIFETIME
LIMITED
WARRANTY

FREE
Signal Finder App

The digital compass that gives you the most HD channels. Aligns your antenna perfectly!

- + Enjoy HDTV network programming and your favorite shows for Free. No monthly fee, no subscription, no contract.
- + **SMARTBOOST**™ amplifier design outperforms all other brands and boosts weak signals
- + Unique flat-panel element design and extendable dipoles to receive the most local channels
- + Dipoles extend and adjust for digital and analog channels 2-13
- + 6' built-in coax cable
- + Great complement to streaming players
- + Dependable backup television source when storms knock out cable or satellite television

Designed & Engineered
IN THE USA

AMERICA'S #1 BEST SELLING ANTENNAS





Amplified Indoor Flat HDTV Antenna

Multi-Directional

Model# **ANT1360E**
 color :: black
 master pack :: 3
 upc :: 0 4447613879 9
 Lifetime Limited Warranty



GOLD

4K
AND
8K
ULTRA HD
COMPATIBLE

SUPPORTS
1080

LIFETIME
LIMITED
WARRANTY



DUAL-Stage Amplification
 The BEST reception and clearest picture.



360° Multi-Directional Reception
 capture signals from every direction, eliminating constant adjustments

FREE
Signal Finder App

The digital compass that gives you the most HD channels. Aligns your antenna perfectly!

- + Enjoy HDTV network programming and your favorite shows for Free. No monthly fee, no subscription, no contract.
- + Patented, 360° multi-directional design eliminates need for constant adjustments
- + Paintable flat profile design with no hidden rabbit-ears
- + Easy to position – just hang it, lay it flat or stand it up with its removable easel stand.
- + 16' built-in coax cable
- + Great complement to streaming players
- + Dependable backup television source when storms knock out cable or satellite television

Designed & Engineered
IN THE USA

AMERICA'S #1 BEST SELLING ANTENNAS





Indoor Flat HDTV Antenna Multi-Directional

Model# **ANT1400E**
 color :: white
 master pack :: 3
 upc :: 0 4447605886 8
 Lifetime Limited Warranty



GOLD

4K
AND
8K
ULTRA HD
COMPATIBLE

SUPPORTS
1080

LIFETIME
LIMITED
WARRANTY



360° Multi-Directional Reception
 capture signals from every direction, eliminating constant adjustments

FREE
Signal Finder App

The digital compass that gives you the most HD channels. Aligns your antenna perfectly!

- + Enjoy HDTV network programming and your favorite shows for Free. No monthly fee, no subscription, no contract.
- + Patented, 360° multi-directional design eliminates need for constant adjustments
- + Paintable flat profile design with no hidden rabbit-ears
- + Easy to position – just hang it or lay it flat
- + 6' built-in coax cable
- + Great complement to streaming players
- + Dependable backup television source when storms knock out cable or satellite television

Designed & Engineered
IN THE USA

AMERICA'S #1 BEST SELLING ANTENNAS





Amplified Indoor Flat HDTV Antenna Multi-Directional

Model# **ANT1450BE**
 color :: black
 master pack :: 3
 upc :: 0 4447606116 5
 Lifetime Limited Warranty

Accessories Included:
 Power adapter
 Removable Amplifier for Maximum Flexibility and Performance
 Easel stand



PLATINUM

4K
AND
8K

ULTRA HD COMPATIBLE

SUPPORTS 1080

LIFETIME LIMITED WARRANTY



DUAL-Stage Amplification
 The BEST reception and clearest picture.



360° Multi-Directional Reception
 capture signals from every direction, eliminating constant adjustments

AUTOMATIC GAIN CONTROL
 Delivers a precise amount of amplification to give you the most channels possible.

FREE
 Signal Finder App

The digital compass that gives you the most HD channels. Aligns your antenna perfectly!

- + Enjoy HDTV network programming and your favorite shows for Free. No monthly fee, no subscription, no contract.
- + Patented, 360° multi-directional design eliminates need for constant adjustments
- + Paintable flat profile design with no hidden rabbit-ears
- + **SMARTBOOST** amplifier design outperforms all other brands and boosts weak signals
- + Easy to position –Lay flat, hang it or stand it up with included easel stand
- + 6' 8" built-in coax cable
- + Great complement to streaming players
- + Dependable backup television source when storms knock out cable or satellite television

Designed & Engineered
IN THE USA

AMERICA'S #1 BEST SELLING ANTENNAS



©2021 VOXX Accessories Corp. Indianapolis IN. A wholly-owned subsidiary of VOXX International Corporation. Products and Specifications Subject to Change.
 **4K and 8K ultra HD broadcast availability will vary by area.



Indoor Flat HDTV Antenna Multi-Directional

Model# **ANT1520E**
 color :: black
 master pack :: 3
 upc :: 0 4447612564 5
 Lifetime Limited Warranty

GOLD

4K
AND
8K
ULTRA HD
COMPATIBLE

SUPPORTS
1080

LIFETIME
LIMITED
WARRANTY



Built-in Stand



360° Multi-Directional Reception
 capture signals from every direction, eliminating constant adjustments

FREE
Signal Finder App

The digital compass that gives you the most HD channels. Aligns your antenna perfectly!

- + Enjoy HDTV network programming and your favorite shows for Free. No monthly fee, no subscription, no contract.
- + Patented, 360° multi-directional design eliminates need for constant adjustments
- + Super thin, sleek and cool design blends seamlessly into any home interior
- + Easy to position – just hang it or lay it flat
- + 6' built-in coax cable
- + Great complement to streaming players
- + Dependable backup television source when storms knock out cable or satellite television

Designed & Engineered
IN THE USA

AMERICA'S #1 BEST SELLING ANTENNAS



©2021 VOXX Accessories Corp. Indianapolis IN. A wholly-owned subsidiary of VOXX International Corporation. Products and Specifications Subject to Change.
 **4K and 8K ultra HD broadcast availability will vary by area.



Amplified Indoor Flat HDTV Antenna Multi-Directional

Model# **ANT1560E1**
 color :: black
 master pack :: 2
 upc :: 0 4447612565 2
 Lifetime Limited Warranty

Accessories Included:
 Power adapter
 Removable Amplifier for Maximum Flexibility and Performance

PLATINUM

4K
AND
8K
ULTRA HD COMPATIBLE

SUPPORTS
1080

LIFETIME LIMITED WARRANTY



Built-in Stand



360° Multi-Directional Reception
 capture signals from every direction, eliminating constant adjustments

2X AMP

DUAL-Stage Amplification
 The BEST reception and clearest picture.

AUTOMATIC GAIN CONTROL
 Delivers a precise amount of amplification to give you the most channels possible.

FREE Signal Finder App

The digital compass that gives you the most HD channels. Aligns your antenna perfectly!

- + Enjoy HDTV network programming and your favorite shows for Free. No monthly fee, no subscription, no contract.
- + Patented, 360° multi-directional design eliminates need for constant adjustments
- + Super thin, sleek and cool design blends seamlessly into any home interior
- + **SMARTBOOST™** amplifier design outperforms all other brands and boosts weak signal
- + Easy to position – just hang it or lay it flat
- + 9' 8" built-in coax cable
- + Great complement to streaming players
- + Dependable backup television source when storms knock out cable or satellite television

Designed & Engineered **IN THE USA**

AMERICA'S #1 BEST SELLING ANTENNAS



©2021 VOXX Accessories Corp. Indianapolis IN. A wholly-owned subsidiary of VOXX International Corporation. Products and Specifications Subject to Change.
 **4K and 8K ultra HD broadcast availability will vary by area.



Amplified Indoor Flat HDTV Antenna Multi-Directional

Model# **ANT1660E**
 color :: black
 master pack :: 2
 upc :: 0 4447612567 6
 Lifetime Limited Warranty

Accessories Included:
 Power adapter
 Removable Amplifier for Maximum Flexibility and Performance

PLATINUMPRO

4K
AND
8K
ULTRA HD COMPATIBLE

SUPPORTS
1080

LIFETIME LIMITED WARRANTY



Built-in Stand



360° Multi-Directional Reception
 capture signals from every direction, eliminating constant adjustments

2X AMP

DUAL-Stage Amplification
 The BEST reception and clearest picture.

AUTOMATIC GAIN CONTROL
 Delivers a precise amount of amplification to give you the most channels possible.

FREE Signal Finder App

The digital compass that gives you the most HD channels. Aligns your antenna perfectly!

- + Enjoy HDTV network programming and your favorite shows for Free. No monthly fee, no subscription, no contract.
- + Patented, 360° multi-directional design eliminates need for constant adjustments
- + Super thin, sleek and cool design blends seamlessly into any home interior
- + **SMARTBOOST™** amplifier design outperforms all other brands and boosts weak signal
- + Easy to position – just hang it or lay it flat
- + 9' 8" built-in coax cable
- + Great complement to streaming players
- + Dependable backup television source when storms knock out cable or satellite television

Designed & Engineered **IN THE USA**

AMERICA'S #1 BEST SELLING ANTENNAS





Amplified Indoor Flat HDTV Antenna Multi-Directional

Model# **ANT1750E**
 color :: gloss black
 master pack :: 3
 upc :: 0 4447610487 9
 Lifetime Limited Warranty

Accessories Included:
 Power adapter
 Removable Amplifier for Maximum Flexibility and Performance
 Easel stand



PLATINUMPRO

4K
AND
8K
ULTRA HD COMPATIBLE

SUPPORTS
1080

LIFETIME LIMITED WARRANTY



360° Multi-Directional Reception
 capture signals from every direction, eliminating constant adjustments



DUAL-Stage Amplification
 The BEST reception and clearest picture.

AUTOMATIC GAIN CONTROL
 Delivers a precise amount of amplification to give you the most channels possible.

FREE Signal Finder App

The digital compass that gives you the most HD channels. Aligns your antenna perfectly!

- + Enjoy HDTV network programming and your favorite shows for Free. No monthly fee, no subscription, no contract.
- + RCA's largest indoor flat antenna with high gain to pick up more stations
- + Patented, 360° multi-directional design eliminates need for constant adjustments
- + Flat profile design with no hidden rabbit-ears
- + **SMARTBOOST™** amplifier design outperforms all other brands and boosts weak signals
- + Easy to position –Lay flat, hang it or stand it up with included easel stand
- + 6' 8" built-in coax cable
- + Great complement to streaming players
- + Dependable backup television source when storms knock out cable or satellite television

Designed & Engineered **IN THE USA**

AMERICA'S #1 BEST SELLING ANTENNAS



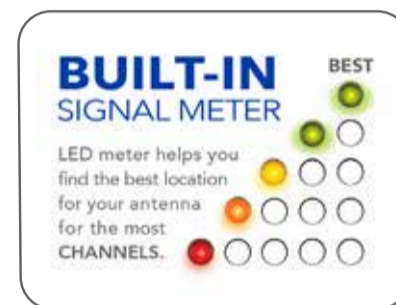


Amplified Indoor Flat HDTV Antenna **Multi-Directional** with Built-in Signal Meter

Model# **ANT2ME**
 color :: black
 master pack :: 3
 upc :: 0 4447613594 1
 Lifetime Limited Warranty

Accessories Included:
 Power adapter
 Removable Amplifier for Maximum Flexibility and Performance

PLATINUM PRO
4K AND 8K
 ULTRA HD COMPATIBLE
 SUPPORTS 1080
 LIFETIME LIMITED WARRANTY



360° Multi-Directional Reception
 capture signals from every direction, eliminating constant adjustments

2X AMP
DUAL-Stage Amplification
 The BEST reception and clearest picture.

AUTOMATIC GAIN CONTROL
 Delivers a precise amount of amplification to give you the most channels possible.

FREE Signal Finder App
 The digital compass that gives you the most HD channels. Aligns your antenna perfectly!

- + Enjoy HDTV network programming and your favorite shows for Free. No monthly fee, no subscription, no contract.
- + Super thin, sleek and cool design blends seamlessly into any home interior
- + Patented, 360° multi-directional design eliminates need for constant adjustments
- + Flat profile design with no hidden rabbit-ears
- + **SMARTBOOST™** amplifier design outperforms all other brands and boosts weak signals
- + Easy to position –Lay flat, hang it or stand it up with included easel stand
- + 12' built-in coax cable
- + Great complement to streaming players
- + Dependable backup television source when storms knock out cable or satellite television

Designed & Engineered **IN THE USA**

AMERICA'S #1 BEST SELLING ANTENNAS

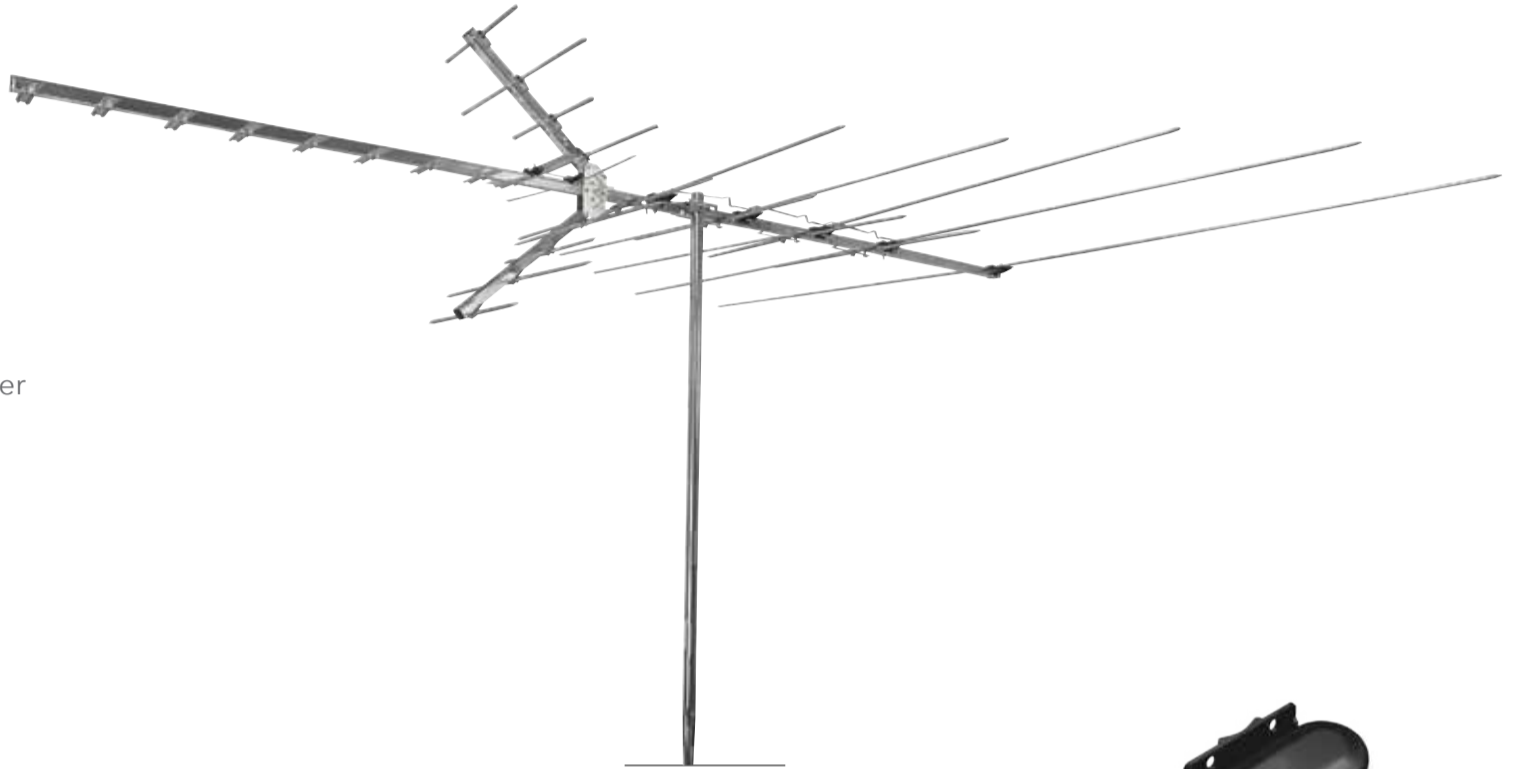




Outdoor HDTV Antenna Optimized for Digital Reception

Model# **ANT3036E**
 color :: metallic silver
 master pack :: 1
 upc :: 0 7900030890 4
 One-Year Limited Warranty

Accessories Included:
 Locking Mast Clamp
 Mounting hardware
 75-Ohm matching transformer



Best when used with
 preamplifier TVPRAMP12E
 (Sold Separately)

FREE Signal Finder App



The digital compass
 that gives you the most
 HD channels. Aligns
 your antenna perfectly!

- + Enjoy HDTV network programming and your favorite shows for Free. No monthly fee, no subscription, no contract.
- + Large antenna with high gain to pick up more stations
- + Pre-assembled design, with easy-lock fold-out UHF reflector and snap-lock elements
- + Cross-phase multi-element design; 36 elements and a 106" length boom
- + Adapts to most outdoor or attic settings, withstands tough outdoor conditions
- + Mast and coax cable sold separately
- + Capable of receiving low VHF channels
- + Great complement to streaming players
- + Dependable backup television source when storms knock out cable or satellite television

Designed & Engineered
IN THE USA

AMERICA'S #1 BEST SELLING ANTENNAS

FREE HDTV

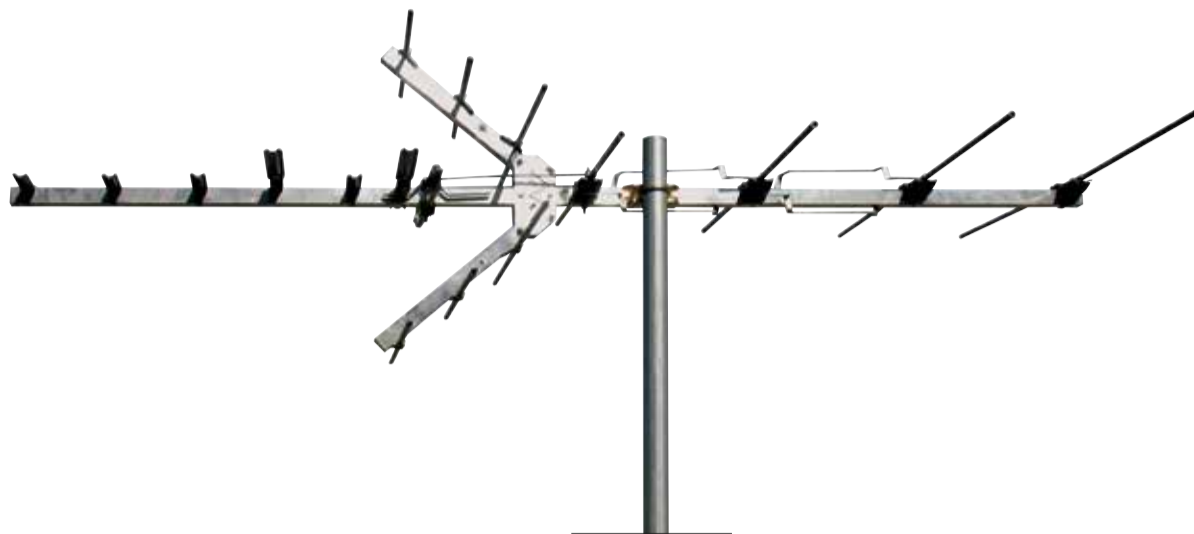




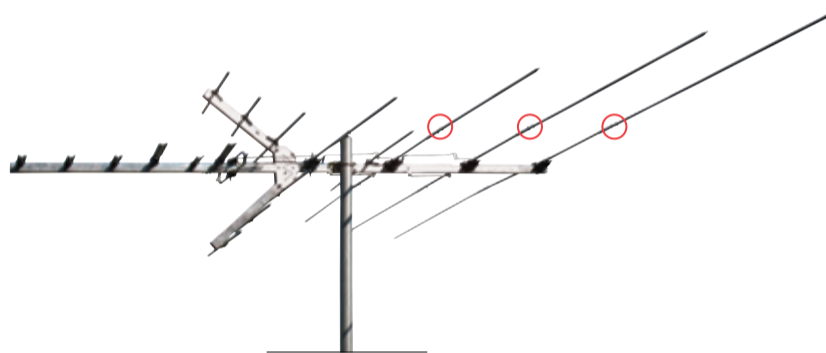
Long Range 2-in-1 HDTV Antenna

Model# **ANT3037E**
 color :: metallic silver
 master pack :: 1
 upc :: 0 4447611599 8
 One-Year Limited Warranty

Accessories Included:
 Mounting hardware
 75-Ohm matching transformer



Standard Configuration



Low Band VHF Configuration



Best when used with preamplifier TVPRAMP12E (Sold Separately)

PLATINUM
4K
 AND
8K
 ULTRA HD
 COMPATIBLE
 SUPPORTS
1080

FREE
 Signal Finder App

The digital compass that gives you the most HD channels. Aligns your antenna perfectly!

- + Enjoy HDTV network programming and your favorite shows for Free. No monthly fee, no subscription, no contract.
- + Large antenna with high gain to pick up more stations
- + Pre-assembled design, with easy-lock fold-out UHF reflector and snap-lock elements
- + Capable of receiving low VHF channels
- + Cross-phase multi-element design; 34 elements and a 66" length boom
- + Adapts to most outdoor or attic settings, withstands tough outdoor conditions
- + Mast and coax cable sold separately
- + Great complement to streaming players
- + Dependable backup television source when storms knock out cable or satellite television

Designed & Engineered
IN THE USA

AMERICA'S #1 BEST SELLING ANTENNAS

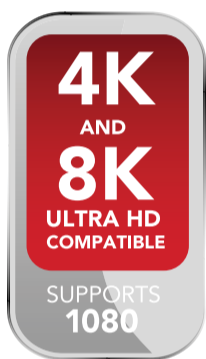




Outdoor HDTV Antenna Optimized for Digital Reception

Model# **ANT3038E**
 color :: metallic silver
 master pack :: 1
 upc :: 0 4447607163 8
 One-Year Limited Warranty

Accessories Included:
 Mounting hardware
 75-Ohm matching transformer



Best when used with
 preamplifier TVPRAMP12E
 (Sold Separately)

FREE
Signal Finder App

The digital compass that gives you the most HD channels. Aligns your antenna perfectly!

- + Enjoy HDTV network programming and your favorite shows for Free. No monthly fee, no subscription, no contract.
- + Large antenna with high gain to pick up more stations
- + Pre-assembled design, with easy-lock fold-out UHF reflector and snap-lock elements
- + Cross-phase multi-element design; 40 elements and a 150" length boom
- + Adapts to most outdoor or attic settings, withstands tough outdoor conditions
- + Mast and coax cable sold separately
- + Capable of receiving low VHF channels
- + Great complement to streaming players
- + Dependable backup television source when storms knock out cable or satellite television

Designed & Engineered
IN THE USA

AMERICA'S #1 BEST SELLING ANTENNAS





Amplified Indoor HDTV Antenna

Model# **ANT310E**
 color :: black
 master pack :: 4
 upc :: 0 4447612184 5
 Lifetime Limited Warranty

GOLD

4K
AND
8K
ULTRA HD
COMPATIBLE

SUPPORTS
1080

LIFETIME
LIMITED
WARRANTY



FREE
Signal Finder App

The digital compass that gives you the most HD channels. Aligns your antenna perfectly!

- + Enjoy HDTV network programming and your favorite shows for Free. No monthly fee, no subscription, no contract.
- + **SMARTBOOST™** amplifier design outperforms all other brands and boosts weak signals
- + Unique flat-panel element design and extendable dipoles to receive the most local channels
- + Dipoles extend and adjust for digital and analog channels 2-13
- + Capable of receiving low VHF channels
- + 6' built-in coax cable
- + Great complement to streaming players
- + Dependable backup television source when storms knock out cable or satellite television

Designed & Engineered
IN THE USA

AMERICA'S #1 BEST SELLING ANTENNAS

FREE HDTV





Amplified Ultra-Thin HDTV Antenna **Multi-Directional** with Built-in Signal Meter

Model# **ANT3ME1**
 color :: black/white
 master pack :: 3
 upc :: 0 4447613593 4
 Lifetime Limited Warranty

Accessories Included:
 Power adapter
 Amplifier for Maximum Flexibility and Performance
 USB power cable
 Two-sided mounting tape



DUAL-Stage Amplification
 The BEST reception and clearest picture.

PLATINUM PRO

4K AND 8K
 ULTRA HD COMPATIBLE

SUPPORTS 1080

LIFETIME LIMITED WARRANTY

BUILT-IN SIGNAL METER BEST

LED meter helps you find the best location for your antenna for the most CHANNELS.



360° Multi-Directional Reception
 capture signals from every direction, eliminating constant adjustments

AUTOMATIC GAIN CONTROL
 Delivers a precise amount of amplification to give you the most channels possible.

FREE Signal Finder App

The digital compass that gives you the most HD channels. Aligns your antenna perfectly!



- + Enjoy HDTV network programming and your favorite shows for Free. No monthly fee, no subscription, no contract.
- + Patented, 360° multi-directional design eliminates need for constant adjustments
- + Ultra-thin profile design blends with any decor and is two-sided, black and white
- + **SMARTBOOST** amplifier design outperforms all other brands and boosts weak signals
- + Receives TV broadcasts including 4K and 1080 HDTV for highest-quality picture and sound, both UHF and VHF stations
- + Hang antenna on the wall or window; includes removable two-sided mounting tape
- + 12' built-in coax cable
- + Great complement to streaming players
- + Dependable backup television source when storms knock out cable or satellite television

AMERICA'S #1 BEST SELLING ANTENNAS



©2021 VOXX Accessories Corp. Indianapolis IN. A wholly-owned subsidiary of VOXX International Corporation. Products and Specifications Subject to Change. **4K and 8K ultra HD broadcast availability will vary by area



Indoor Flat HDTV Antenna Multi-Directional

Model# **ANT4WHE1**
 color :: white
 master pack :: 3
 upc :: 0 4447612668 0
 Lifetime Limited Warranty

GOLD

4K
AND
8K
ULTRA HD
COMPATIBLE

SUPPORTS
1080

LIFETIME
LIMITED
WARRANTY



Built-in Stand



360° Multi-Directional Reception
 capture signals from every direction, eliminating constant adjustments

FREE
Signal Finder App

The digital compass that gives you the most HD channels. Aligns your antenna perfectly!

- + Enjoy HDTV network programming and your favorite shows for Free. No monthly fee, no subscription, no contract.
- + Super thin, sleek and cool design blends seamlessly into any home interior
- + Excellent signal reception quality
- + Patented, 360° multi-directional design eliminates need for constant adjustments
- + Easy to position –Lay flat, hang it or stand it up with built-in easel stand
- + 9' built-in coax cable
- + Great complement to streaming players
- + Dependable backup television source when storms knock out cable or satellite television

Designed & Engineered
IN THE USA

AMERICA'S #1 BEST SELLING ANTENNAS

FREE HDTV





Amplified Indoor HDTV Antenna Multi-Directional

Model# **ANT5400E**
 color :: black
 master pack :: 6
 upc :: 0 4447613006 9
 Lifetime Limited Warranty



PLATINUMPRO

4K
AND
8K
ULTRA HD
COMPATIBLE

SUPPORTS
1080

LIFETIME
LIMITED
WARRANTY



360° Multi-Directional Reception
 capture signals from every direction, eliminating constant adjustments



DUAL-Stage Amplification
 The BEST reception and clearest picture.

FREE
Signal Finder App

The digital compass that gives you the most HD channels. Aligns your antenna perfectly!

- + Enjoy HDTV network programming and your favorite shows for Free. No monthly fee, no subscription, no contract.
- + **DUALBOOST** Get more HD channels along with the best picture and sound possible with our innovative dual stage amplifier technology. It outperforms every other current technology by boosting the signal at the antenna while boosting the signal at your TV
- + Patented, 360° multi-directional design eliminates need for constant adjustments
- + Excellent signal reception quality
- + 9' built-in coax cable
- + Great complement to streaming players
- + Dependable backup television source when storms knock out cable or satellite television

Designed & Engineered
IN THE USA

AMERICA'S #1 BEST SELLING ANTENNAS





Amplified Indoor HDTV Antenna

Model# **ANT650E**
 color :: black
 master pack :: 3
 upc :: 0 4447612569 0
 Lifetime Limited Warranty

Accessories Included:
 Power adapter
 Removable Amplifier for Maximum Flexibility and Performance
 Stand/mounting bracket



ACTUAL: LENGTH 32" | HEIGHT 4" | THICKNESS .750"

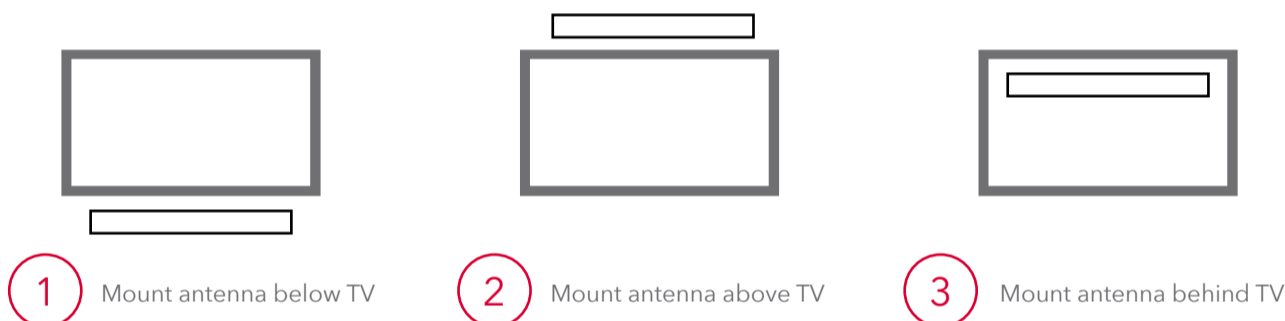
PLATINUM

4K
AND
8K
ULTRA HD
COMPATIBLE

SUPPORTS
1080

LIFETIME
LIMITED
WARRANTY

3-WAYS TO MOUNT YOUR ANTENNA



2X
AMP

DUAL-Stage Amplification
 The BEST reception and clearest picture.

FREE
Signal Finder App

The digital compass that gives you the most HD channels. Aligns your antenna perfectly!

- + Enjoy HDTV network programming and your favorite shows for Free. No monthly fee, no subscription, no contract.
- + Modern design complements today's flat panel TVs
- + Excellent signal reception quality
- + **SMARTBOOST™** amplifier design outperforms all other brands and boosts weak signals
- + Pre-assembled fold-out design makes it easy to set up with no adjustments
- + 9' built-in coax cable
- + Great complement to streaming players
- + Dependable backup television source when storms knock out cable or satellite television
- + Exceeds CEA performance specifications for indoor antennas

Designed & Engineered
IN THE USA

AMERICA'S #1 BEST SELLING ANTENNAS





Attic/Outdoor Compact Design HDTV Antenna

Model# **ANT705E**
 color :: metallic silver
 master pack :: 2
 upc :: 0 4447612867 7
 One-Year Limited Warranty

Accessories Included:

Mounting bracket
 Mounting hardware



Assembled Size: 25" x 18" x 17"

FREE
Signal Finder App

The digital compass that gives you the most HD channels. Aligns your antenna perfectly!

- + Enjoy HDTV network programming and your favorite shows for Free. No monthly fee, no subscription, no contract.
- + Small compact design adapts to most attic settings
- + Durable construction withstands severe outdoor conditions, outperforming many larger outdoor antennas
- + Easy-to-assemble design (no tools required)
- + Includes mast, locking mast clamp and mounting hardware
- + Coax cable sold separately
- + Great complement to streaming players
- + Dependable backup television source when storms knock out cable or satellite television

Designed & Engineered
IN THE USA

AMERICA'S #1 BEST SELLING ANTENNAS





Outdoor/Attic Antenna Optimized for Digital Reception

Model# **ANT751E**
 color :: metallic silver
 master pack :: 2
 upc :: 0 4447606452 4
 One-Year Limited Warranty

Accessories Included:
 75 OHM matching transformer
 Mounting Bracket
 Mast



FREE
Signal Finder App



The digital compass that gives you the most HD channels. Aligns your antenna perfectly!

- + Enjoy HDTV network programming and your favorite shows for Free. No monthly fee, no subscription, no contract.
- + Small compact design adapts to most attic settings
- + Durable construction withstands severe outdoor conditions, outperforming many larger outdoor antennas
- + Easy-to-assemble design (no tools required)
- + Includes mast, locking mast clamp and mounting hardware
- + Coax cable sold separately
- + Great complement to streaming players
- + Dependable backup television source when storms knock out cable or satellite television

 Designed & Engineered
IN THE USA

AMERICA'S #1 BEST SELLING ANTENNAS

FREE HDTV

 NBC HD

 abc HD

 CBS HD

 FOX HD

 ion TELEVISION

 PBS HD

 THE CW

 UNIVISION



Compact Outdoor/Attic HDTV Antenna Optimized for Digital Reception

Model# **ANT752E**

color :: metallic silver

master pack :: 2

upc :: 0 4447612866 0

One-Year Limited Warranty

Accessories Included:

75 OHM matching transformer

Mounting Bracket

Mast



FREE Signal Finder App



The digital compass that gives you the most HD channels. Aligns your antenna perfectly!

- + Enjoy HDTV network programming and your favorite shows for Free. No monthly fee, no subscription, no contract.
- + Small compact design adapts to most attic settings
- + Durable construction withstands severe outdoor conditions, outperforming many larger outdoor antennas
- + Easy-to-assemble design (no tools required)
- + Includes mast, locking mast clamp and mounting hardware
- + Coax cable sold separately
- + Great complement to streaming players
- + Dependable backup television source when storms knock out cable or satellite television



AMERICA'S #1 BEST SELLING ANTENNAS

FREE HDTV

NBC HD

abc HD

HD

FOX HD

ion TELEVISION

PBS HD

THE CW

UNIVISION



Indoor Digital Signal Antenna Amplifier

Model# **AMP1450E**

color :: black

master pack :: 4

upc :: 0 4447606101 1

One-Year Limited Warranty



SMARTBOOST™

Better Amplification = More channels.

- + Get more HD channels. Our advanced technology amplifies weak signals to deliver the most channels possible while filtering out false signals.
- + Enhances performance of all passive antenna brands
- + Optimizes signal for best possible reception
- + Preserves signal purity with Extremely Low-Noise (ELN) circuitry
- + Engineered specifically for UHF/VHF digital signals



AMERICA'S #1 BEST SELLING ANTENNAS

FREE HDTV





Digital Signal Preamp for Outdoor Antennas

Model# **TVPRAMP12E**
 color :: black
 master pack :: 3
 upc :: 0 4447613747 1
 One-Year Limited Warranty



Switchable FM trap reduces interference from FM frequencies

Combined input for UHF/VHF



Mounted to outside pole

- + Preamplifier for outdoor antennas
- + Extends range for outdoor antennas
- + Enhances performance in low signal strength areas
- + Preserves signal purity with Extremely Low Noise (ELN) circuitry
- + Outperforms old preamplifiers made for analog signals
- + Optimizes performance with UHF/VHF amplification
- + Switchable FM trap to prevent interference from FM signals
- + Use in all difficult reception areas
- + Mounting hardware included

 Designed & Engineered
IN THE USA

AMERICA'S #1 BEST SELLING ANTENNAS

FREE HDTV

 NBC HD

 ABC HD

 CBS HD

 FOX HD

 ION
TELEVISION

 PBS HD

 THE CW

 UNIVISION



Outdoor Antenna Rotator with Remote

Model# **VH226E**
 color :: black
 master pack :: 2
 upc :: 0 4447612434 1
 One-Year Limited Warranty



- + Programmable memory
- + Infrared remote control
- + Motor drive
- + Digital display controller



- + **Remote control**
Fine tune your outdoor antenna easily from inside your home for a perfect picture
- + **Programmable memory**
Set up to 12 TV/FM station directions for automatic antenna positioning
- + **Digital display**
Indicates preset and antenna position during operation
- + **Wind stability**
High gear reduction locks motor in place for a stable antenna
- + **Precise tuning control**
High precision gear mechanism provides precise and accurate positioning for each channel





Extra-Long Coax Extension Cable for Indoor Antennas

Model# **VHEXT8E**

color :: black

master pack :: 6

upc :: 0 4447613802 7

One-Year Limited Warranty

8ft
length



- + Easily extend your antenna's reach for the best reception
- + Universal coax compatibility
- + No adapters necessary
- + Optimized for indoor antennas
- + Compatible with amplified and non-amplified antennas

 Designed & Engineered
IN THE USA

AMERICA'S #1 BEST SELLING ANTENNAS

FREE HDTV

 **NBC HD**

 **abc HD**

 **CBS HD**

 **FOX HD**

 **ion**
TELEVISION

 **PBS HD**

 **THE CW**

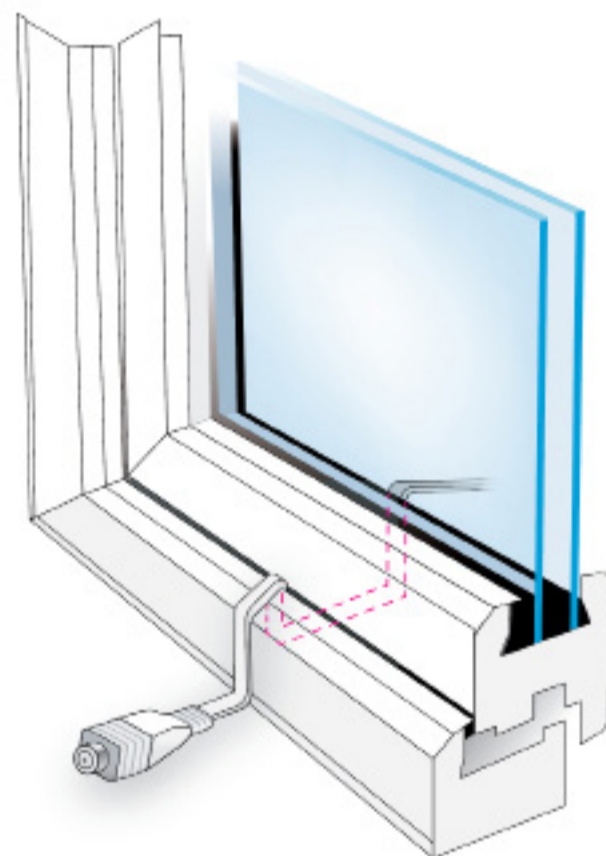
 **UNIVISION**



Extra-Long Coax Extension Cable for Window /Door Feedthrough

Model# **VHFC015E**
 color :: white
 master pack :: 6
 upc :: 0 4447613839 3
 One-Year Limited Warranty

18"
length



- + Eliminates the need to drill through walls
- + Flat coaxial type F extension cable for easy & safe door/ window feedthrough
- + 18" extra-long length supports home or vehicle doors and windows
- + Designed and engineered to withstand bending or repetitive impact
- + 3GHz low-loss design supports HDTV-CATV & satellite applications

 Designed & Engineered
IN THE USA

AMERICA'S #1 BEST SELLING ANTENNAS

FREE HDTV

 **NBC HD**

 **abc HD**

 **CBS HD**

 **FOX HD**

 **ion**
TELEVISION

 **PBS HD**

 **THE CW**

 **UNIVISION**



CLOCKS

RC205A

RC207A

RC442A

RCD1000UBKA

RCD11A

NEW RCD12 (COLORS)

RCD20A1

RCD30A1

NEW RCDV10A

RCPJ100A1

NEW RCQ510BKA

NEW RCQ520BKA

NEW RCWS100A

NEW RCOWC16SW

RCWC10WG



Clock Radio AM/FM WITH DUAL WAKE

Model# **RC205A**

color:: black

master pack:: 12

upc:: 0 4447608651 9

One-Year Limited Warranty



- + Compact nightstand design
- + Dual wake, sleep timer and snooze functions
- + 0.6" red LED display
- + AM/FM radio with presets
- + Wake to AM/FM radio or alarm
- + "No worry" battery back-up (2xAAA -not included)





USB Charging Clock Radio

WITH DUAL WAKE

Model# **RC207A**

color:: black

master pack:: 6

upc:: 0 4447608652 6

One-Year Limited Warranty

**USB
Charging
Port**



- + Built-in USB charging
 - supports smartphones*
- + Adjustable brightness display
- + 0.6" blue LED display
- + FM radio with presets
- + Dual wake, sleep timer, and snooze functions
- + Wake to FM radio or alarm
- + "No worry" battery back-up (2xAAA -not included)





USB Charging Clock Radio

WITH DUAL WAKE

Model# **RC442A**
 color:: black
 master pack:: 6
 upc:: 0 4447612986 5
 One-Year Limited Warranty



- + Built-in USB charging
- supports smartphones*
- + Large 1.4" LED display
- + Dual wake -set separate times to alarm or FM radio
- + Aux-in for mp3 player or smartphone connectivity
- + Brightness control -high/med/low display setting
- + "No worry" battery back-up (2xAAA -not included)





Extra Large Display Alarm Clock

WITH BRIGHTNESS CONTROL TEMPERATURE & DATE

Model# **RCD1000UBKA**
 color:: black
 master pack:: 4
 upc:: 0 4447613830 0
 One-Year Limited Warranty



- + Features regular time display or automatically cycle through, time, date, and temperature
- + Alarm and snooze functions
- + 12/24 hour time display options
- + Stay charged with the USB charging port
- + High/low display brightness control
- + USB power cable included (power adapter sold separately)

10" diagonal display

Snooze



Hi/Low display brightness

Battery back-up

NO WORRY
BATTERY BACK-UP

USB CHARGING
PORT



Portable Alarm Clock

WITH AUTO NIGHT LIGHT SENSOR,
TEMPERATURE & CALENDAR

Model# **RCD11A**

color:: black

master pack:: 12

upc:: 0 4447613630 6

One-Year Limited Warranty

4.6"
LARGE
DISPLAY



- + Adjustable brightness (clock)- high/Low
- + Indoor Temperature display (°F / °C)
- + Alarm/light and snooze functions
- + Full calendar with 12 or 24 hour options
- + Battery powered (3xAAA -not included)
- + Light sensor illuminates the display automatically in low lighting.





Portable Alarm Clock

WITH DURABLE OUTER SHELL

Model# **RCD12BKA**
 color:: black
 master pack:: 6
 upc:: 44476138928
 One-Year Limited Warranty



Model# **RCD12WHA**
 color:: white
 master pack:: 6
 upc:: 44476139208
 One-Year Limited Warranty



Model# **RCD12BLA**
 color:: blue
 master pack:: 6
 upc:: 44476138935
 One-Year Limited Warranty



Model# **RCD12RDA**
 color:: red
 master pack:: 6
 upc:: 44476138942
 One-Year Limited Warranty

- + Colorful, dimmable display
- + Durable design with protective cover
- + 4" LCD easy-read display
- + Alarm and snooze function
- + Color backlight
- + 3 x AAA batteries (not included)



Alarm Clock

Model# **RCD20A1**

color:: black

master pack:: 12

upc:: 0 4447608443 0

One-Year Limited Warranty



- + 0.7" green LED display
- + Easy-to-use control buttons
- + Snooze functionality -large full-width button to easily prolong your wake-up
- + Night light with on/off switch
- + "No worry" battery back-up (9V -not included)





Alarm Clock

Model# **RCD30A1**

color:: black

master pack:: 12

upc:: 0 4447608444 7

One-Year Limited Warranty



- + 1.4" red LED display
- + Easy-to-use control buttons
- + Snooze functionality -large full-width button to easily prolong your wake-up
- + High/low display brightness control
- + "No worry" battery back-up (9V -not included)

large 1.4" display Snooze function



Hi/low display
brightness

Battery back-up



Bed Shaker Alarm Clock

WITH USB CHARGING

Model# **RCDV10A**

color:: black

master pack:: 4

upc:: 0 4447613889 8

One-Year Limited Warranty



- + Colorful, dimmable display
- + Time, date, and day
- + Dual alarms and snooze setting
- + Indoor temperature and humidity display
- + USB-A charging port with battery status bar
- + Powered bed shaker with dedicated port
- + AC adapter included



Alarm Clock

TIME PROJECTOR WITH COLOR DISPLAY

Model# **RCPJ100A1**

color:: black

master pack:: 6

upc:: 0 4447612894 3

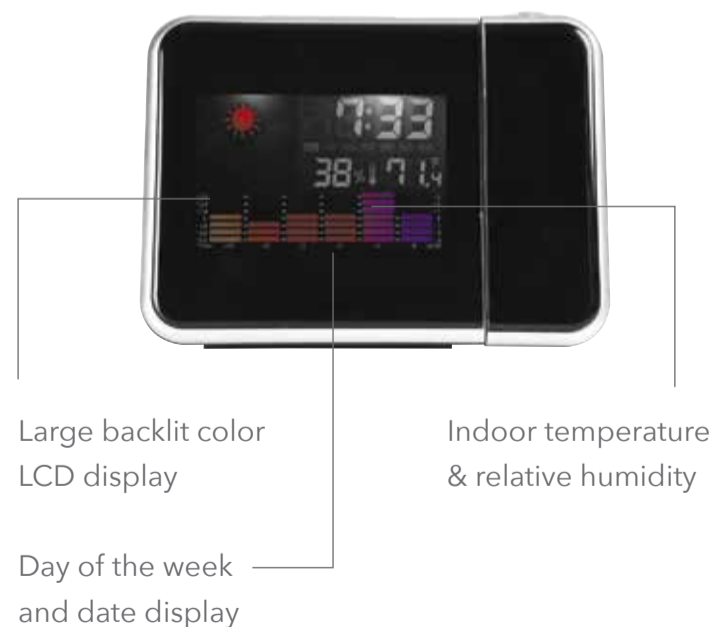
One-Year Limited Warranty



- + Built-in time projector that projects the time on wall or ceiling
- + Large backlit color LCD display
- + Snooze function to easily prolong your wake-up
- + Temperature readout displays indoor temperature and relative humidity
- + "No worry" battery back-up (2xAAA -not included)
- + AC adapter included

Sleep and snooze functions

Projects time: adjustable focus, on/off setting, and rotation for most surfaces





Wireless Charging Alarm Clock WITH NIGHTLIGHT

Model# **RCQ510BKA**
color:: black
master pack:: 4
upc:: 0 4447613895 9
One-Year Limited Warranty



- + Provides 10W Qi wireless charging and features a QC3.0 USB charging port
- + Smart power design provides intelligent high-efficiency fast charging to devices
- + White LED night light with 3-level brightness settings
- + 4" LCD easy-read display
- + Charge an additional device with the convenient side-connect USB charging port
- + Color backlit display for easy reading
- + USB-C power cable and AC adapter included



Wireless Charging Alarm Clock

WITH MULTI-COLOR NIGHTLIGHT

Model# **RCQ520BKA**
 color:: black
 master pack:: 4
 upc:: 0 4447613891 1
 One-Year Limited Warranty



- + Provides 10W Qi wireless charging and features a QC3.0 USB charging port
- + Smart power design provides intelligent high-efficiency fast charging to devices
- + Charging status indicator
- + Soft touch finish
- + 8 LED nightlight color choices
- + Clear view display with dual alarm settings
- + Built-in backup battery (coin cell included)
- + USB-C power cable and AC adapter included



Weather Station Alarm Clock

WITH FULL COLOR DISPLAY

Model# **RCWS100A**

color:: black

master pack:: 6

upc:: 0 4447613890 4

One-Year Limited Warranty



- + Time, date, day calendar display
- + Alarm and snooze function
- + Indoor Temperature and humidity display
- + Humidity trend weather forecast
- + History records of MAX/MIN temperature/ humidity
- + 2 x AA battery operation (not included)
- + USB power cable included (power adapter sold separately)



16" Display Outdoor/Indoor Wall Clock

Model# **RCOWC16SW**
color:: silver / white
master pack:: 4
upc:: 0 4447613861 4
One-Year Limited Warranty



- + Weather resistant
- + Built-in thermometer and hygrometer
- + Battery powered (1xAA batteries sold separately)



10" Display Wall Clock

Model# **RCWC10WG**
color:: white / gray
master pack:: 4
upc:: 0 4447613832 4
One-Year Limited Warranty



+ Battery powered (1xAA batteries sold separately)





REMOTES

RCR313BE

RCR3273E

RCR414BHE

RCR503BE

RCR504BE

RCR6473E

RCRBB04GBE

RCRBB05BHE

RCRH02BE

RCRN03BE

RCRN06GBE

RCRPST04BE

RCRPST05SE

RCRPST06GBE

RCU300TE



Universal Remote Control PLATINUMPRO

Model# **RCR313BE**
 color :: black
 master pack :: 6
 upc :: 0 4447610336 0
 Lifetime Limited Warranty



**Streaming
Player
Compatible***



preprogrammed
for samsung



big buttons



easy setup



long range IR



- + Streaming controls for Roku, Apple TV, and other streaming boxes
- + Replaces and consolidates most major remote brands
- + Simplifies device setup with automatic, brand, manual and direct code search methods
- + Backlit keypad
- + Requires 2 AA Batteries (sold separately)



**backlit
keys**



Universal Remote Control PLATINUMPRO

Model# **RCR3273E**
 color :: black
 master pack :: 6
 upc :: 0 7900033702 7
 Lifetime Limited Warranty



- + Replaces and consolidates most major remote brands
- + Simplifies device setup with automatic, brand, manual and direct code search methods
- + Requires 2 AAA Batteries (sold separately)



**expanded
DVR capability**





Universal Remote Control PLATINUMPRO

Model# **RCR414BHE**
 color :: brushed black
 master pack :: 4
 upc :: 0 4447612979 7
 Lifetime Limited Warranty



**Streaming
Player
Compatible***



- + Streaming controls for Roku, Apple TV, and other streaming boxes
- + Replaces and consolidates most major remote brands
- + Simplifies device setup with automatic, brand, manual and direct code search methods
- + Backlit keypad
- + Requires 2 AA Batteries (sold separately)



**backlit
keys**

preprogrammed for samsung

big buttons

easy setup

long range IR

designed & engineered in the USA



Universal Remote Control PLATINUMPRO

Model# **RCR503BE**
 color :: black
 master pack :: 6
 upc :: 0 4447608374 7
 90 Day Limited Warranty



- + Replaces and consolidates most major remote brands
- + Simplifies device setup with automatic, brand, manual and direct code search methods
- + Palm size for comfort
- + Requires 2 AAA Batteries (sold separately)





Universal Remote Control PLATINUMPRO

Model# **RCR504BE**
 color :: black
 master pack :: 6
 upc :: 0 4447608375 4
 90 Day Limited Warranty



- + Replaces and consolidates most major remote brands
- + Simplifies device setup with automatic, brand, manual and direct code search methods
- + Palm size for comfort
- + Requires 2 AAA Batteries (sold separately)





Universal Remote Control PLATINUMPRO

Model# **RCR6473E**
 color :: high gloss black
 master pack :: 4
 upc :: 0 4447604622 3
 Lifetime Limited Warranty



- + Replaces and consolidates most major remote brands
- + Simplifies device setup with automatic, brand, manual and direct code search methods
- + Glow-in-the-dark keypad
- + Requires 2 AAA Batteries (sold separately)



Glow in the Dark Keys





Universal Remote Control PLATINUMPRO

Model# **RCRBB04GBE**
 color :: high gloss black
 master pack :: 4
 upc :: 0 4447610338 4
 Lifetime Limited Warranty



**backlit
keys**



- + Streaming controls for Roku, Apple TV, and other streaming boxes
- + Replaces and consolidates most major remote brands
- + Simplifies device setup with automatic, brand, manual and direct code search methods
- + Big button simplicity
- + Backlit keypad
- + Requires 2 AAA Batteries (sold separately)



preprogrammed for samsung

easy setup

big buttons

long range IR

designed & engineered in the USA

Streaming Player & Sound Bar Compatible*



Universal Remote Control PLATINUMPRO

Model# **RCRBB05BHE**
 color :: brushed black
 master pack :: 4
 upc :: 0 4447612977 3
 Lifetime Limited Warranty



**backlit
keys**



- + Streaming controls for Roku, Apple TV, and other streaming boxes
- + Replaces and consolidates most major remote brands
- + Simplifies device setup with automatic, brand, manual and direct code search methods
- + Big button simplicity
- + Backlit keypad
- + Requires 2 AAA Batteries (sold separately)



preprogrammed for samsung

easy setup

big buttons

long range IR

designed & engineered in the USA

Streaming Player & Sound Bar Compatible*



Universal Remote Control PLATINUMPRO

Model# **RCRH02BE**
 color :: brushed black
 master pack :: 4
 upc :: 0 4447606871 3
 Lifetime Limited Warranty



Glow in the Dark Keys



- + Replaces and consolidates most major remote brands
- + Simplifies device setup with automatic, brand, manual and direct code search methods
- + Glow-in-the-dark keypad
- + Requires 2 AAA Batteries (sold separately)





Universal Remote Control PLATINUMPRO

Model# **RCRN03BE**
 color :: black
 master pack :: 4
 upc :: 0 4447606871 3
 Lifetime Limited Warranty



Streaming Player & Sound Bar Compatible*



backlit keys



- + Streaming controls for Roku, Apple TV, and other streaming boxes
- + Replaces and consolidates most major remote brands
- + Simplifies device setup with automatic, brand, manual and direct code search methods
- + Backlit keypad
- + Requires 2 AAA Batteries (sold separately)





Universal Remote Control PLATINUMPRO

Model# **RCRN06GBE**
 color :: high gloss black
 master pack :: 4
 upc :: 0 4447606873 7
 Lifetime Limited Warranty



**backlit
keys**



- + Streaming controls for Roku, Apple TV, and other streaming boxes
- + Replaces and consolidates most major remote brands
- + Simplifies device setup with automatic, brand, manual and direct code search methods
- + Backlit keypad
- + Requires 2 AAA Batteries (sold separately)



preprogrammed for samsung

easy setup

big buttons

long range IR

designed & engineered in the USA

Streaming Player & Sound Bar Compatible*



Universal Remote Control PLATINUMPRO

Model# **RCRST04BE**
 color :: black
 master pack :: 4
 upc :: 0 4447612663 5
 Lifetime Limited Warranty



Great For
**ROKU &
APPLE TV**



- + Streaming controls for Roku, Apple TV, and other streaming boxes
- + Replaces and consolidates most major remote brands
- + Simplifies device setup with automatic, brand, manual and direct code search methods
- + Backlit keypad
- + Requires 2 AAA Batteries (sold separately)




preprogrammed
for samsung


easy setup


big buttons


long range IR


designed &
engineered
in the USA

**Streaming Player
& Sound Bar
Compatible***



Universal Remote Control PLATINUMPRO

Model# **RCRPST05SE**
 color :: high-tech silver
 master pack :: 4
 upc :: 0 4447612664 2
 Lifetime Limited Warranty



Great For
**ROKU &
APPLE TV**

**Streaming Player
& Sound Bar
Compatible***



- + Streaming controls for Roku, Apple TV, and other streaming boxes
- + Replaces and consolidates most major remote brands
- + Simplifies device setup with automatic, brand, manual and direct code search methods
- + Requires 2 AAA Batteries (sold separately)





Universal Remote Control PLATINUMPRO

Model# **RCRST06GBE**
 color :: high gloss black
 master pack :: 4
 upc :: 0 4447612665 9
 Lifetime Limited Warranty



Great For
**ROKU &
APPLE TV**

**Streaming Player
& Sound Bar
Compatible***



- + Streaming controls for Roku, Apple TV, and other streaming boxes
- + Replaces and consolidates most major remote brands
- + Simplifies device setup with automatic, brand, manual and direct code search methods
- + Requires 2 AAA Batteries (sold separately)





Universal Remote Control

Model# **RCU300TE**
 color :: black
 master pack :: 6
 upc :: 0 7900030534 7
 Limited 90-day Warranty



- + Replaces and consolidates most major remote brands
- + Simplifies device setup with automatic, brand, manual and direct code search methods
- + Backlit keys
- + Requires 2AAA batteries (included)



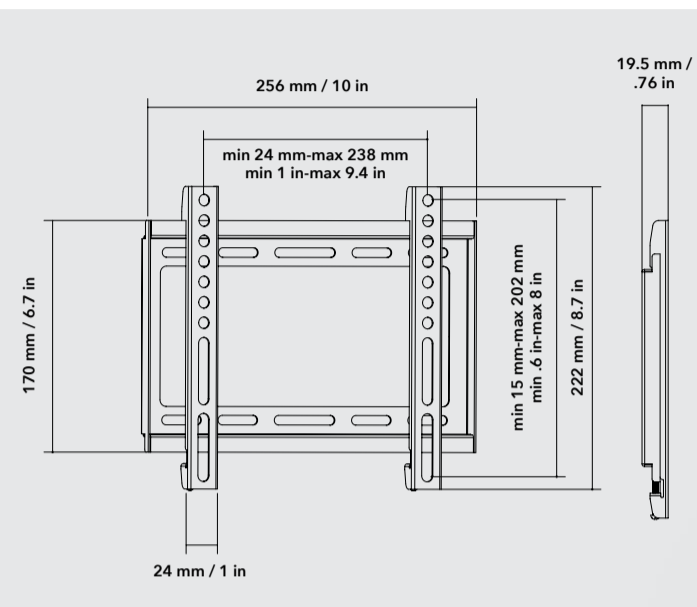
RCA UNIVERSAL WALL MOUNTS

- NEW** MC1337F
- NEW** MC3770F
- NEW** MC3255T
- NEW** MC3770T
- NEW** MC1337FM
- NEW** MC3255FM
- NEW** MC3770FM
- NEW** MC30SB
- NEW** MCC295WH
- NEW** MCCEXTWH
- NEW** MCCLWH



TV Wall Mount

FITS **13"** TO **37"** TVs



FIXED

MC1337F

color :: black

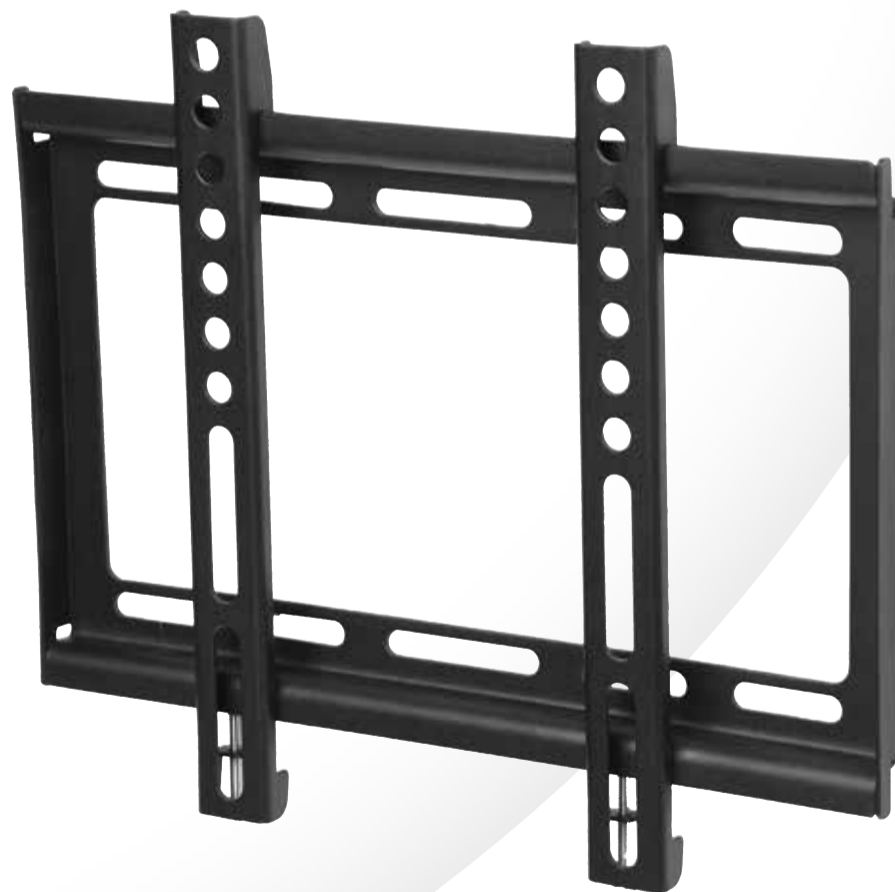
master pack :: 6

upc :: 0 4447614025 9

One-Year Limited Warranty

PRODUCT BENEFITS

- + Low profile fixed design, ensures TV is close to the wall for a sleek finish
- + Easy-to-assemble with lateral shift brackets to enable fast alignment, plus included safety screws for additional support
- + Easy install
- + UL certified for strength, safety and quality assurance
- + Includes instruction manual
- + Includes complete hardware kit



SPECIFICATIONS

Supports up to: 55 lbs.

Mounting profile: 0.77"

VESA compliance: 50x50 - 200x200

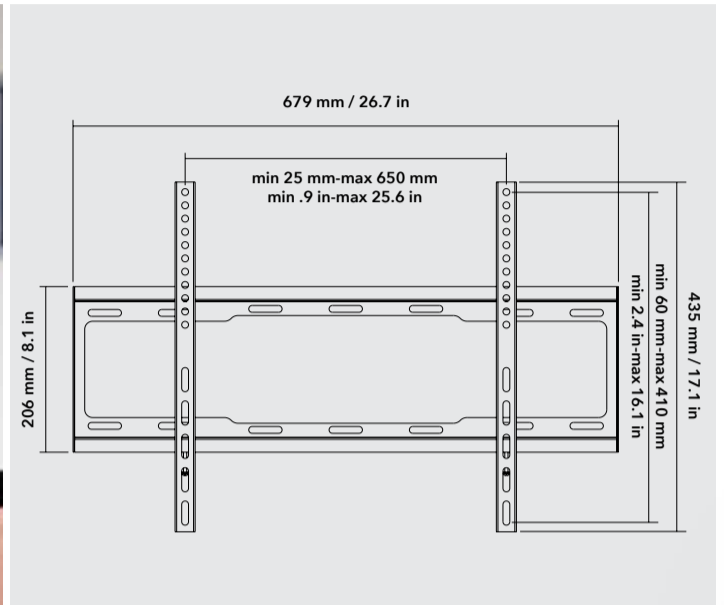
Mounting: Single-stud or solid wall





TV Wall Mount

FITS **37"** TO **70"** TVs



FIXED

MC3770F

color :: black

master pack :: 6

upc :: 0 4447614026 6

One-Year Limited Warranty

PRODUCT BENEFITS

- + Low profile fixed design, ensures TV is close to the wall for a sleek finish
- + Easy-to-assemble with lateral shift brackets to enable fast alignment, plus included safety screws for additional support
- + Easy install
- + UL certified for strength, safety and quality assurance
- + Includes instruction manual
- + Includes complete hardware kit



SPECIFICATIONS

Supports up to: 88 lbs.

Mounting profile: 0.98"

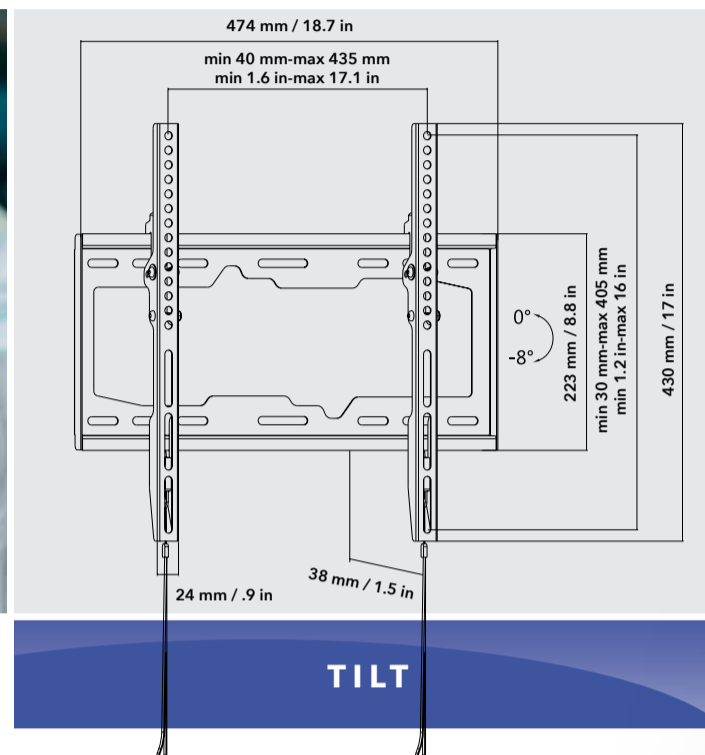
VESA compliance: 200x200 - 600x400

Mounting: Double-stud or solid wall



RCA

TV Wall Mount

FITS **32"** TO **55"** TVs

MC3255T

color :: black

master pack :: 6

upc :: 0 4447614028 0

One-Year Limited Warranty

PRODUCT BENEFITS

- + Low profile tilt design
- + Easy-to-assemble with bubble level for precise installation adjustment
- + Easy install
- + Tilt for reduced glare and best viewing experience
- + UL certified for strength, safety and quality assurance
- + Includes instruction manual
- + Includes complete hardware kit



SPECIFICATIONS

Supports up to: 80 lbs.

Tilt: 0 to -8°

Mounting profile: 1.5"

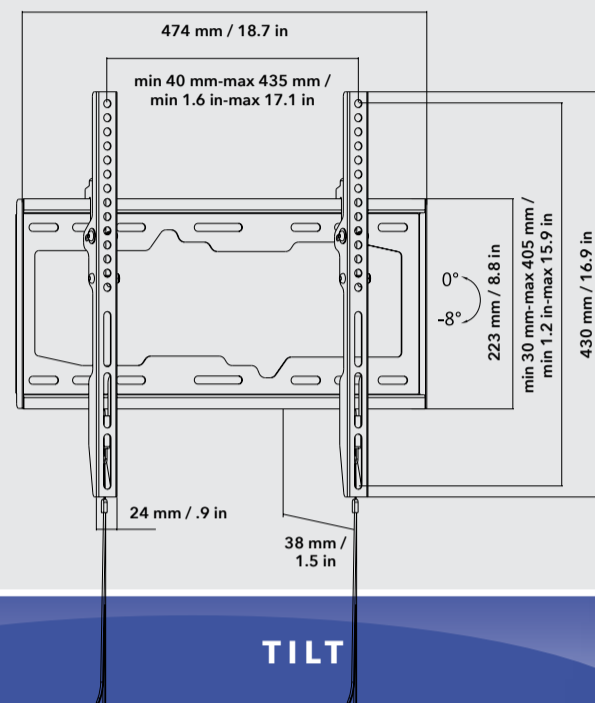
VESA compliance: 200x200 - 400x400

Mounting: Dual-stud or solid wall



RCA

TV Wall Mount

FITS **37"** TO **70"** TVs

MC3770T

color :: black

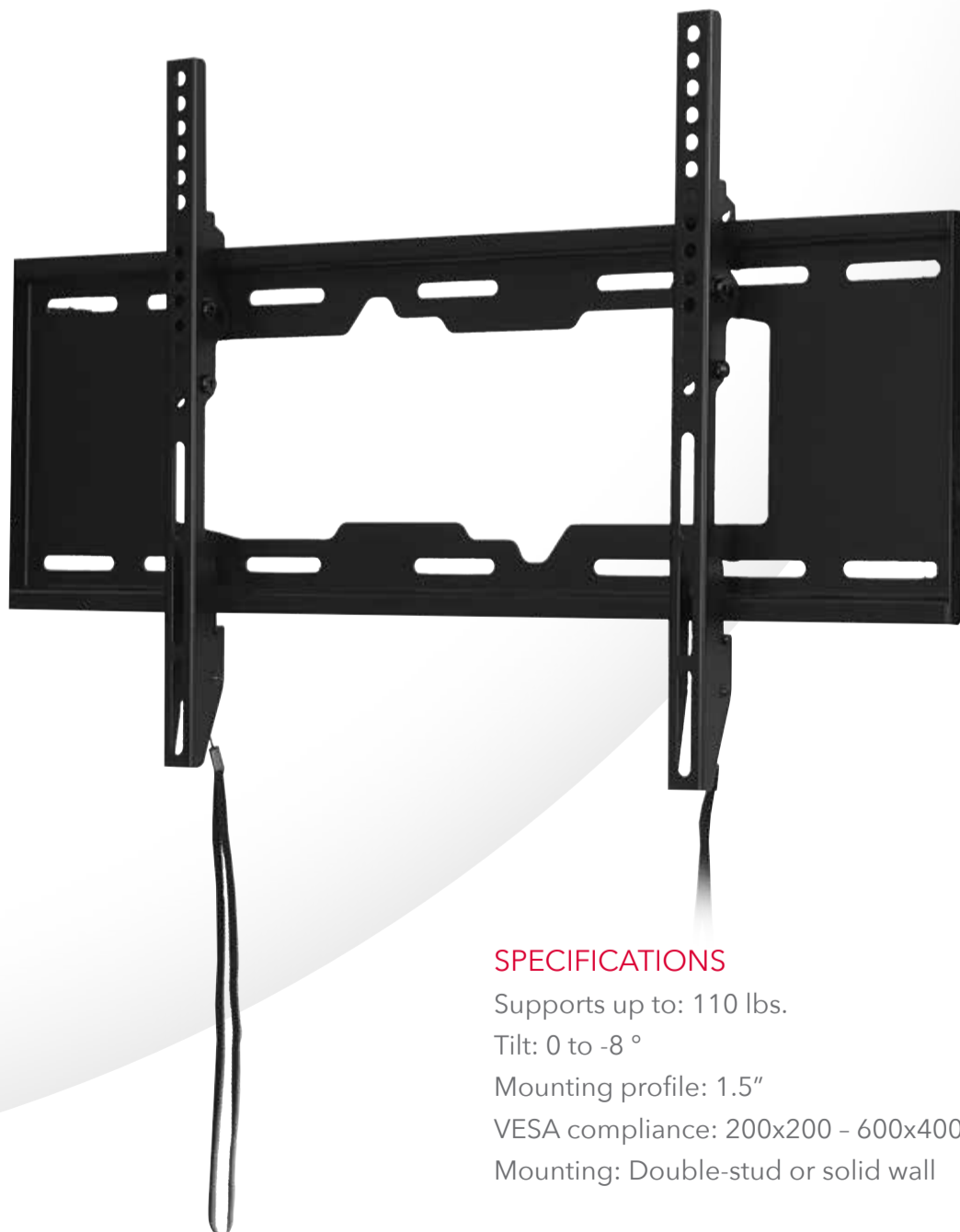
master pack :: 6

upc :: 0 4447614027 3

One-Year Limited Warranty

PRODUCT BENEFITS

- + Low profile tilt design
- + Easy-to-assemble with bubble level for precise installation adjustment
- + Easy install
- + Tilt for reduced glare and best viewing experience
- + UL certified for strength, safety and quality assurance
- + Includes instruction manual
- + Includes complete hardware kit



SPECIFICATIONS

Supports up to: 110 lbs.

Tilt: 0 to -8°

Mounting profile: 1.5"

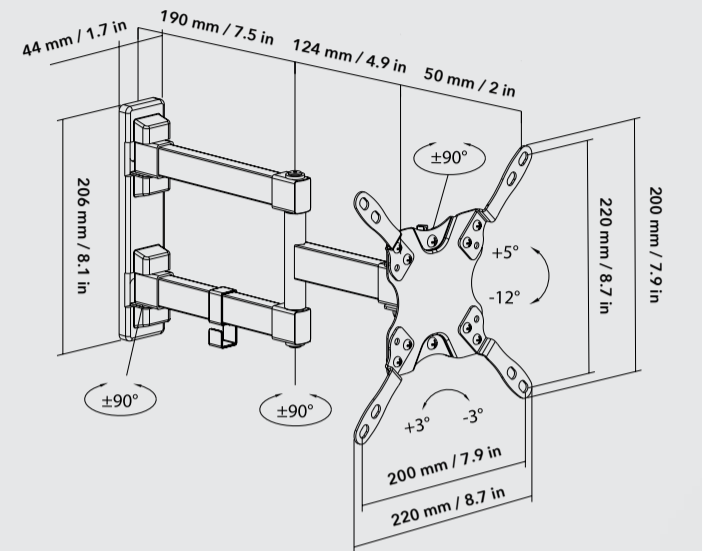
VESA compliance: 200x200 - 600x400

Mounting: Double-stud or solid wall



RCA

TV Wall Mount

FITS **13"** TO **37"** TVs**FULL MOTION**

MC1337FM

color :: black

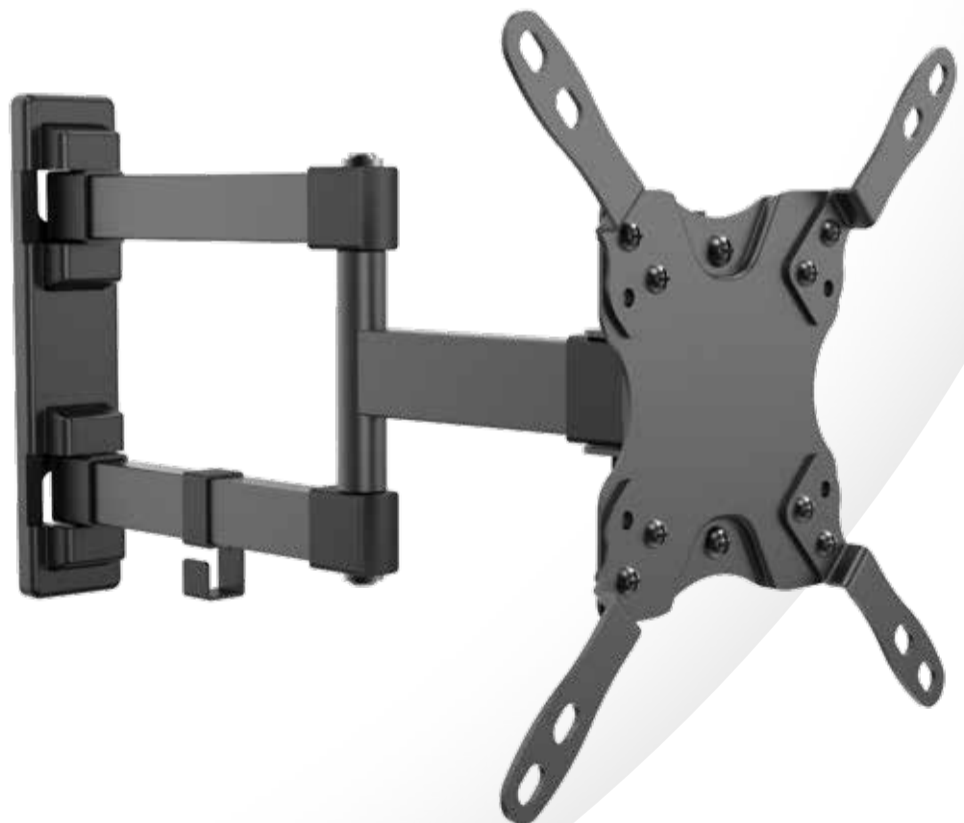
master pack :: 4

upc :: 0 4447614029 7

One-Year Limited Warranty

PRODUCT BENEFITS

- + Low profile full motion design
- + Easy-to-assemble with post-install leveling and direction indicators to ensure precise positioning
- + Easy install
- + Tilt, pan and swivel provide flexibility for multiple viewing angles
- + Extends 14" from wall for easy cable access
- + Detachable VESA plate, allows for ease of install
- + UL certified for strength, safety and quality assurance
- + Includes instruction manual
- + Includes complete hardware kit



SPECIFICATIONS

Supports up to: 33 lbs.

Tilt: +5° to -12°

Pan: Up to 180° (depending on screen size)

Mounting profile: 2.4"-14.3"

Maximum extension: 14"

VESA compliance: 75x75 - 200x200

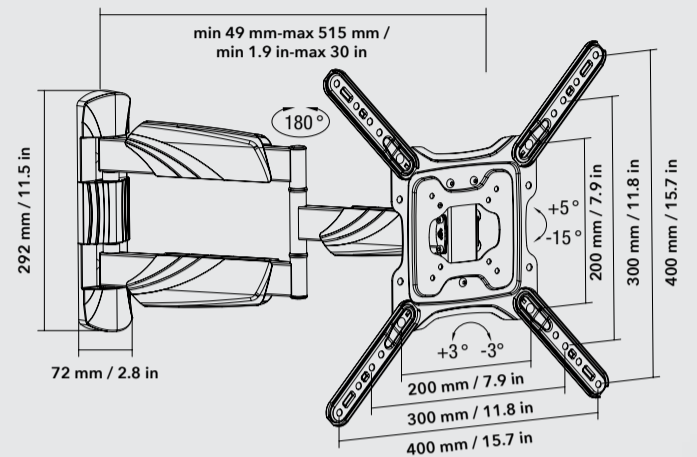
Mounting: Single-stud or solid wall





TV Wall Mount

FITS **32"** TO **55"** TVs



FULL MOTION

MC3255FM

color :: black

master pack :: 4

upc :: 0 4447614030 3

One-Year Limited Warranty

PRODUCT BENEFITS

- + Low profile full motion design
- + Easy-to-assemble with post-install leveling and direction indicators to ensure precise positioning
- + Easy install
- + Tilt, pan and swivel provide flexibility for multiple viewing angles
- + Extends 20" from wall for easy cable access
- + UL certified for strength, safety and quality assurance
- + Includes instruction manual
- + Includes complete hardware kit



SPECIFICATIONS

Supports up to: 77 lbs.

Tilt: +5° to -15°

Pan: Up to 180° (depending on screen size)

Mounting profile: 1.9"-20.3"

Maximum extension: 20"

VESA compliance: 75x75 - 400x400

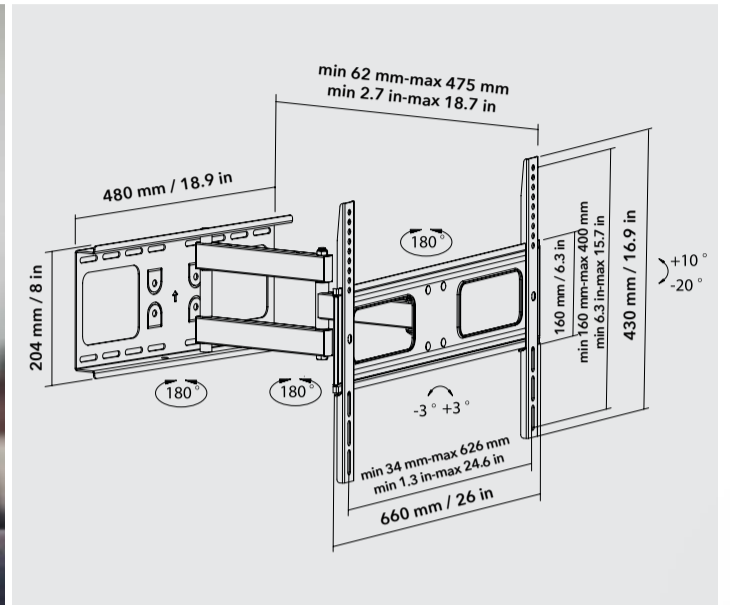
Mounting: Single-stud or solid wall





TV Wall Mount

FITS **37"** TO **70"** TVs



FULL MOTION

MC3770FM

color :: black

master pack :: 2

upc :: 0 4447614031 0

One-Year Limited Warranty

PRODUCT BENEFITS

- + Low profile full motion design
- + Easy-to-assemble with post-install leveling and direction indicators to ensure precise positioning
- + Easy install
- + Tilt, pan and swivel provide flexibility for multiple viewing angles
- + Extends 18" from wall for easy cable access
- + UL certified for strength, safety and quality assurance
- + Includes instruction manual
- + Includes complete hardware kit



SPECIFICATIONS

Supports up to: 88 lbs.

Tilt: +10° to -20°

Pan: Up to 180° (depending on screen size)

Mounting profile: 2.4"-18.7"

Maximum extension: 18"

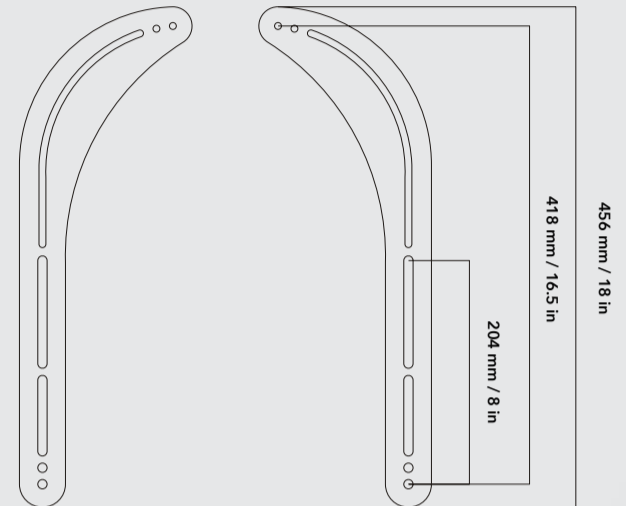
VESA compliance: 200x200 - 600x400

Mounting: Double-stud or solid wall



RCA

Universal Sound Bar TV Mount

FITS **37"** TO **70"** TVs**ABOVE OR UNDER**

MC30SB

color :: black

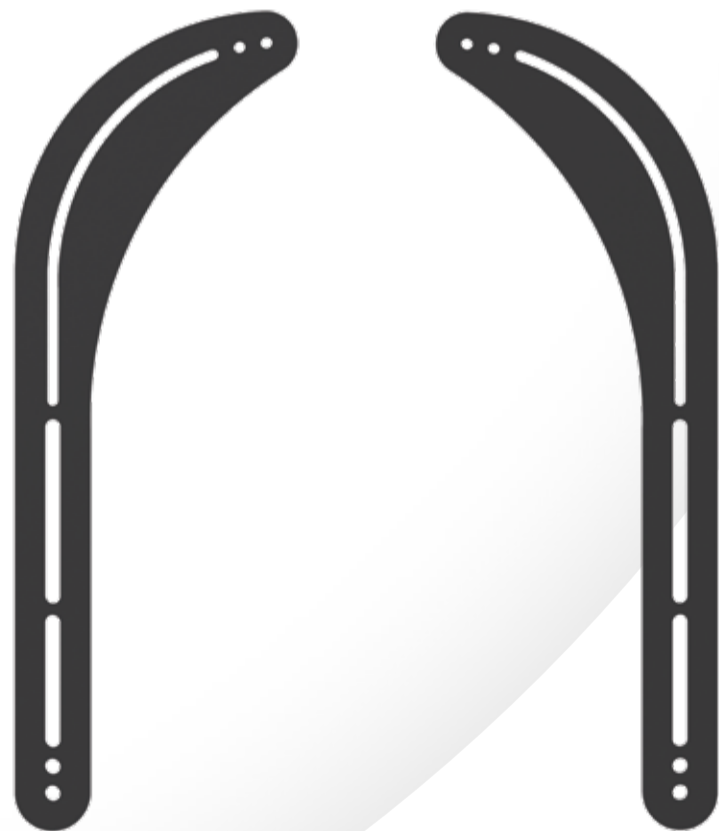
master pack :: 6

upc :: 0 4447614032 7

One-Year Limited Warranty

PRODUCT BENEFITS

- + Universal design, mount most sound bars to a wall mounted TV
- + Easily attach a sound bar below the TV
- + Improves audio quality, especially when used with full motion TV mounts
- + Heavy-duty steel construction supports the speaker strongly and safely
- + High-quality power-coat finish prevents scratches and rust
- + Includes all mounting hardware



SPECIFICATIONS

Supports up to: 33 lbs.



Cable Management Cover

Model# **MCC295WH**
color :: white
master pack :: 12
upc :: 0 4447613917 8
One-Year Limited Warranty



- + Plastic cable cover - 29.5" or 750mm long
- + Cable management: elegantly hides any cables that are attached to displays
- + Perfect addition to a mounted TV
- + Flexible lid design: for easy and quick maintenance



Cable Management Cover

SEAM COVER

Model# **MCCEXTWH**
color :: white
master pack :: 12
upc :: 0 4447613918 5
One-Year Limited Warranty



- + Conceals seams where cable cover sections meet
- + 2.52" x 1.6" x .85" (64 x 40 x 21.5mm)



Cable Management Cover L-JOINT

Model# **MCCLWH**

color :: white

master pack :: 12

upc :: 0 4447613919 2

One-Year Limited Warranty



- + Concealing seams where cable cover sections meet
- + 5" x 5" x .85" (127 x 127 x 21.5mm)



CONNECTIVITY

NEW U832AC3A	NEW RCCM2BK	NEW AH754A
NEW U832AC6A	NEW RCCM4BK	NEW AH7510A
NEW U832CAA	DH3HHE	PEXTSQ318Z
NEW U832CC3A	DH6HHE	
NEW U832CC6A	DH12HHE	
NEW U832CHA	DH25HHE	
NEW U832CL3A	DH50HHE	
NEW U832CL6A	DH6LPE	
NEW U832CXA	DH6QCE	
NEW PCH18CPDA	DH3THE	
NEW PCH30ACPD	DH6THE	
TCD233WZ	DH4UDE1	
NEW PCH34ACA	DH6UDE1	
NEW PCH448ACA	DH10UDE1	
PCHQIT110	AH732Z	
NEW PSWT334ACA	AH733BZ	



USB Type-C Cable

Model# **U832AC3A**

color :: black

master pack :: 6

upc :: 0 4447613807 2

One-Year Limited Warranty

length :: 3ft

Model# **U832AC6A**

color :: black

master pack :: 6

upc :: 0 4447613808 9

One-Year Limited Warranty

length :: 6ft



480 Mbps
DATA
TRANSFER



CHARGE

+



SYNC

- + Charge and sync your portable device with USB-C port
- + 3A charging output
- + High data transfer rate up to 480Mbps
- + Reversible USB-C connector
- + 3 and 6 foot cord lengths



USB Type-C Cable TO USB TYPE-A ADAPTER

Model# **U832CAA**

color :: white

master pack :: 6

upc :: 0 4447613811 9

One-Year Limited Warranty



HOME



TRAVEL



CONNECT



SYNC

+ Connect a keyboard, mouse, flash drive or other USB-A devices to a USB-C device



USB 3.1 Type-C Cable

Model# **U832CC3A**
 color :: white
 master pack :: 6
 upc :: 0 4447613810 2
 One-Year Limited Warranty
 length :: 3ft



5 UP TO
 Gbps
DATA
TRANSFER
 10 TIMES FASTER



+ Charge and sync your portable device with your computer's USB-C port



USB Type-C Cable

Model# **U832CC6A**

color :: white

master pack :: 6

upc :: 0 4447613809 6

One-Year Limited Warranty

length :: 6ft



480 UP TO
Mbps
DATA
TRANSFER



CHARGE



SYNC

- + Charge and sync your portable device with USB-C port
- + 3A charging output
- + High data transfer rate up to 480Mbps
- + Reversible USB-C connector
- + 6 foot cord lengths



USB 3.1 Type-C Adapter

COMPATIBLE WITH HDMI®

Model# **U832CHA**
 color :: white
 master pack :: 6
 upc :: 0 4447613812 6
 One-Year Limited Warranty



HOME



TRAVEL

SUPPORTS
2160P



CONNECT

+ Connect a USB-C device to an HDMI device such as a TV, monitor or projector



USB Type-C Cable WITH LIGHTNING CONNECTOR

Model# **U832CL3A**
 color :: white
 master pack :: 6
 upc :: 0 4447613813 3
 One-Year Limited Warranty
 length :: 3ft

Model# **U832CL6A**
 color :: white
 master pack :: 6
 upc :: 0 4447613814 0
 One-Year Limited Warranty
 length :: 6ft



480 Mbps
DATA
TRANSFER



CHARGE



SYNC

+ Charge and sync your portable device with your computer's USB-C port



USB Type-C Cable TO 3.5MM AUDIO ADAPTER

Model# **U832CXA**
 color :: white
 master pack :: 6
 upc :: 0 4447613815 7
 One-Year Limited Warranty



480 Mbps
DATA
TRANSFER



CHARGE



SYNC

+ Connect the USB-C device to 3.5mm audio



USB Type-C Charger

Model# **PCH18CPDA**
color :: white
master pack :: 6
upc :: 0 4447613818 8
One-Year Limited Warranty



18
WATTS

PD
CHARGER



- + 1 Type-C port
- + 18-watt power
- + Ultra-fast full speed charging
- + Foldable prongs





USB / Type-C Charger

Model# **PCH30ACPDA**
color :: white
master pack :: 6
upc :: 0 4447613819 5
One-Year Limited Warranty



- + 1 USB A-port; 1 Type-C port
- + 30-watt power
- + Ultra-fast full speed charging
- + Foldable prongs





USB Chargers

USB / Type-C Car Charger

Model# **TCD233WZ**
 color :: white
 master pack :: 6
 upc :: 0 4447613513 2
 One-Year Limited Warranty



- + 3.3 Watt output USB
- + Simultaneous fast full speed charging on USB-A and fast USB-C



USB / Type-C Charger

Model# **PCH34ACA**
 color :: white
 master pack :: 6
 upc :: 0 44476138160 4
 One-Year Limited Warranty



- + 3.4 total amps shared between 2 USB ports
- + Fast full speed charging
- + Foldable Prongs



USB /Type-C Charger

Model# **PCH448ACA**
 color :: white
 master pack :: 6
 upc :: 0 4447613817 1
 One-Year Limited Warranty



- + Smart Power detects and distributes the power your devices need
- + 4.8 total amps shared between 4 USB ports
- + Fast full speed charging
- + Foldable Prongs





Qi Wireless Charging Pad

Model# **PCHQIT110**
 color :: black
 master pack :: 4
 upc :: 0 4447613699 3
 One-Year Limited Warranty



HOME



TRAVEL



- + Qi certified wireless charging table top charger
- + 10 watt output - provides fast wireless charging
- + Small size for convenience in home or traveling
- + USB cable included
- + Just set your Qi enabled phone down and it charges
- + Works with iPhone 10, Samsung Galaxy phones, and other Qi enabled Smartphones

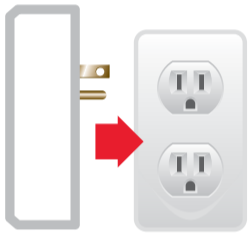


USB / Type-C Charger

WITH 3 OUTLETS

Model# **PSWT334ACA**
 color :: white
 master pack :: 6
 upc :: 0 4447613896 6
 One-Year Limited Warranty

3.4
AMP



- + 1 USB A-port; 1 USB Type-C port
- + 3.4 total amps
- + Fast full speed charging
- + 3 Outlets



Cable Holder

TWO CHANNELS

Model# **RCCM2BK**
color :: black
master pack :: 12
upc :: 0 4447613799 0
One-Year Limited Warranty



- + Two channels to separate each individual cable to keep them organized



Cable Holder

FOUR CHANNELS

Model# **RCCM4BK**
color :: black
master pack :: 12
upc :: 0 4447613801 0
One-Year Limited Warranty



- + Four channels to separate each individual cable to keep them organized



HDMI[®]
HIGH-DEFINITION MULTIMEDIA INTERFACE

FOR HD VIDEO AND DIGITAL AUDIO

Model# **DH3HHE**

color :: black

master pack :: 6

upc :: 0 4447604253 9

One-Year Limited Warranty

length :: 3ft

Model# **DH6HHE**

color :: black

master pack :: 6

upc :: 0 4447604254 6

One-Year Limited Warranty

length :: 6ft

Model# **DH12HHE**

color :: black

master pack :: 6

upc :: 0 4447604255 3

One-Year Limited Warranty

length :: 12ft



High Definition



High Dynamic Range



Max Color Depth



TMDS Bandwidth



- + Gold-plated connector construction ensures a precise fit for enhanced picture clarity and more accurate sound
- + Carries uncompressed high-definition video and digital audio signals (including surround sound)
- + Supports high-definition video formats up to 2160p.
- + Supports a wide variety of audio formats, from standard stereo to multi-channel surround sound
- + Certified to perform at standards set by HDMI



HDMI[®]

HIGH-DEFINITION MULTIMEDIA INTERFACE

FOR HD VIDEO AND DIGITAL AUDIO

Model# DH25HHE
 color :: black
 master pack :: 2
 upc :: 0 4447607185 0
 One-Year Limited Warranty
 length :: 25ft



2160p
4K

High Definition

HDR

High Dynamic Range

48
Bit

Max Color Depth

10.8
Gbps

TMDS Bandwidth



- + Gold-plated connector construction ensures a precise fit for enhanced picture clarity and more accurate sound
- + Carries uncompressed high-definition video and digital audio signals (including surround sound)
- + Supports high-definition video formats up to 2160p.
- + Supports a wide variety of audio formats, from standard stereo to multi-channel surround sound
- + Certified to perform at standards set by HDMI



HDMI[®]
HIGH-DEFINITION MULTIMEDIA INTERFACE

FOR HD VIDEO AND DIGITAL AUDIO

Model# DH50HHE
color :: black
master pack :: 2
upc :: 0 4447607286 4
One-Year Limited Warranty
length :: 50ft



2160p
4K

High Definition

HDR

High Dynamic Range

48
Bit

Max Color Depth

10.8
Gbps

TMDS Bandwidth



- + Gold-plated connector construction ensures a precise fit for enhanced picture clarity and more accurate sound
- + Carries uncompressed high-definition video and digital audio signals (including surround sound)
- + Supports high-definition video formats up to 2160p.
- + Supports a wide variety of audio formats, from standard stereo to multi-channel surround sound
- + Certified to perform at standards set by HDMI



Digital Optical

AUDIO CABLE

Model# **DH6LPE**

color :: black

master pack :: 6

upc :: 0 4447604241 6

One-Year Limited Warranty

length :: 6ft



Superior
Sound

Durable
PVC

Polished
Lenses

Lossless
Audio

- + Carries a digital audio signal transmitted as light, providing better audio performance
- + Optical cable with polished lenses offers superior signal transfer



Quad Shield

RG6 COAX CABLE

Model# **DH6QCE**

color :: white

master pack :: 6

upc :: 0 4447604261 4

One-Year Limited Warranty

length :: 6ft



3GHz

- + Gold-plated connector construction ensures a precise fit for enhanced picture clarity and more accurate sound
- + Carries audio and video signals for accurate signal transfer, even over long runs
- + Four shields: two 100% foil shields and two braided shields minimize interference, providing superior signal transfer



HDMI[®]
HIGH-DEFINITION MULTIMEDIA INTERFACE

ULTRA-THIN

FOR HD VIDEO AND DIGITAL AUDIO

Model# **DH3THE**

color :: black/silver

master pack :: 6

upc :: 0 4447613506 4

One-Year Limited Warranty

length :: 3ft

Model# **DH6THE**

color :: black/silver

master pack :: 6

upc :: 0 4447613505 7

One-Year Limited Warranty

length :: 6ft



High Definition



High Dynamic Range



Max Color Depth



TMDS Bandwidth

- + Gold-plated connector construction ensures a precise fit for enhanced picture clarity and more accurate sound
- + Carries uncompressed high-definition video and digital audio signals (including surround sound)
- + Supports high-definition video formats up to 2160p.
- + Supports a wide variety of audio formats, from standard stereo to multi-channel surround sound
- + Certified to perform at standards set by HDMI



ULTRA HIGH SPEED
HDMI[®]
 HIGH-DEFINITION MULTIMEDIA INTERFACE

Model# **DH4UDE1**
 color :: silver/black
 master pack :: 6
 upc :: 0 4447613748 8
 One-Year Limited Warranty
 length :: 4ft

Model# **DH6UDE1**
 color :: silver/black
 master pack :: 6
 upc :: 0 4447613749 5
 One-Year Limited Warranty
 length :: 6ft

Model# **DH10UDE1**
 color :: silver/black
 master pack :: 6
 upc :: 0 4447613750 1
 One-Year Limited Warranty
 length :: 10ft



PLATINUM SERIES



4320p 8K	Dynamic HDR	48 Bit	48 Gbps
High Definition	High Dynamic Range	Max Color Depth	TMDS Bandwidth

- + Gold-plated connector construction ensures a precise fit for enhanced picture clarity and more accurate sound
- + Carries uncompressed high-definition video and digital audio signals (including surround sound)
- + Supports high-definition video formats up to 4320p.
- + Supports a wide variety of audio formats, from standard stereo to multi-channel surround sound
- + Certified to perform at standards set by HDMI



Micro USB Cables

Model# **AH732Z**

+3 ft. cord

color :: white

master pack :: 6

upc :: 0 4447607962 7

Limited Lifetime Warranty



+ Charge, sync and power your portable device

Model# **AH733BZ**

+10 ft. cord

color :: black

master pack :: 6

upc :: 0 4447612075 6

Limited Lifetime Warranty



+ Charge, sync and power your portable device



Lightning Cables

Model# **AH754A**

+4 ft. cord

color :: white

master pack :: 6

upc :: 0 4447613962 8

Limited Lifetime Warranty



+ Charge, sync and power your portable device

Model# **AH7510A**

+10 ft. cord

color :: white

master pack :: 6

upc :: 0 4447614013 6

Limited Lifetime Warranty



+ Charge, sync and power your portable device



3-Outlet Cord Splitter

Model# **PEXTSQ318Z**
color :: black
master pack :: 6
upc :: 0 4447613948 2

**13A****125V****16
GAUGE**

- + Power cord: 18 inches; SJTW 16/3
- + Rating: 13A, 125V
- + Indoor use only





ANTENNAS & ACCESSORIES

EDGE

FM+

TOWER

TUNVR2

TERK[®]

AMPLIFIED
DUAL-DRIVE
**INDOOR
FM ANTENNA**

Model# **EDGE**

Color: Black

UPC: 034405000914

Master Pack of 4

One-Year Limited Warranty

- + Powerful FM antenna in a compact design
- + Dual-drive amplifier filters out noise
- + Optimum reception of weak and distant stations
- + Compatible with digital HD FM radio broadcasts

Frequency Range:

FM: 88-108 MHz

Amplifier Gain:

0 to +29 dB

Accessories Included:

75 Ohm Transformer,
AC/DC Power Adapter,
Instruction Manual

Stay informed with
access to local weather,
news, emergencies
and school closings.



TERK[®]

MULTI-DIRECTIONAL **INDOOR FM ANTENNA**

Model# **FM+**

Color: Black

UPC: 034405000853

Master Pack of 4

One-Year Limited Warranty

- + Receives more stations with less noise
- + Easily installs on wall or sits on shelf
- + Compatible with digital HD FM radio broadcasts

Frequency Range:

FM: 88-108 MHz

Accessories Included:

6-foot Connection Cable,

Instruction Manual



Stay informed with
access to local weather,
news, emergencies
and school closings.



TERK[®]

AMPLIFIED AM/FM **STEREO** **ANTENNA**

Model# **TOWER**

Color: Black

UPC: 034405000877

Master Pack of 4

One-Year Limited Warranty

- + Multi-Directional reception dramatically improves reception of AM/FM stations
- + Air Coil™ technology isolates AM and FM elements for increased radio reception and minimized static and noise
- + Integrated low-noise amplifier boosts weak FM signals

Frequency Range:

FM: 88-108 MHz

AM: 540-1700 KHz

Amplifier Gain:

FM Gain: 10 dB min

Accessories Included:75 Ohm Transformer,
AC/DC Power Adapter,
Instruction Manual

Stay informed with
access to local weather,
news, emergencies
and school closings.





HD DIGITAL TV TUNER* WITH RECORDING**

Model# **TUNVR2**
Color: Black
UPC: 044476137587
Master Pack of 4



Records FREE live HDTV.

Attach an antenna and connect to any television, digital home theater display, or projector to enjoy FREE local HD channels.

- + Simple and easy scheduling of recordings
- + Watch one show live and record another one at the same time (requires TV with a built-in tuner)
- + Front USB port to connect your storage drive**
- + Works with all major antenna brands including Terk and RCA

Accessories Included:

- + Remote Control
- + HDMI Cable

*Requires TV antenna (not included)
** Requires USB Storage device (not included)



TUNES
1080
720
480
BROADCASTS



WATCH YOUR FAVORITE CHANNELS FOR FREE





PNCLIP - Portable Sound Soother

PNHSH1 - Hush Baby Sound Soother (COLORS)

PNJ50 - Dreamweaver Smart Light & Sound Soother

PNP50 - Sound Soother

PNP75 - 4-in-1 Soothing Projector

Portable Sound Soother with 6 pre-loaded sounds

Take it with you. Portable sound soother for on-the-go or around the home. Easily clip to your diaper bag or stroller and soothe baby to sleep with lullabies and sounds.



Features:

3 natural sounds
- heartbeat
- waves
- white noise

3 lullabies
- Brahms' Lullaby
- Twinkle, Twinkle Little Star
- Mozart's Eine Kleine Nachtmusik

Sleep timer
- constant-on
- 15/30/60 minute settings

Glow-in-the-dark buttons
make it easy to find

Flexible clip easily attach to
handles and bags

Operates on 3AAA batteries
(Batteries not included)

Model: PNCLIP

UPC: 044476131646

Master Pack: 4



LULLABIES
& SOUNDS



SLEEP TIMER



GLOW IN THE
DARK

HUSH BABY

Sound Soother



Features:

Auto shut-off timer for 15 or 30 minute increments or ∞ for continuous play

Flexible clip - easily attach to handles and bags

Battery operated, portable and perfect for on-the-go

Requires 2 AA batteries (not included)



MOTHER'S
SHHHH



OCEAN
WAVE



WHITE
NOISE

Includes:

Sound Soother
Micro USB

Model: PNHSH1PK
UPC: 044476139963
Master Pack: 4

Model: PNHSH1BL
UPC: 044476139956
Master Pack: 4

Model: PNHSH1
UPC: 044476139253
Master Pack: 4



DREAMWEAVER

Smart Light & Sound Soother



SMARTPHONE NOT INCLUDED

What makes me smart?



1

I'M A SOUND SOOTHER

> Play lullabies and nature sounds



2

I'M A WIRELESS SPEAKER

> Stream unlimited music, stories and lullabies from your smartphone or tablet with Bluetooth®



3

I'M A NIGHTLIGHT

> 4 modes: sparkle, fade, dance and rhythm



4

I'M A SLEEP TIMER

> Simply set and walk away:
Constant on, 15, 30, 45, 60 Minute

Features:

- Bluetooth® speaker
- Sleep timer
- 4-Mode Nightlight
- Adjustable volume
- Rechargeable - up to 8-hour battery life

Includes:

- Sound Soother Speaker
- Charging Cable

Model: PNJ50
UPC: 044476131592
Master Pack: 2

Preloaded Sounds:

- waves
- white noise
- heartbeat

Preloaded lullabies:

- Brahms' Lullaby
- Twinkle, Twinkle Little Star
- Mozart's Eine Kleine Nachtmusik



LULLABIES & SOUNDS



WIRELESS SPEAKER



SLEEP TIMER



4-MODE NIGHTLIGHT

SOUND SOOTHER

with 6 pre-loaded sounds



Features:

PRE-LOADED SOUNDS:

Eine Kleine Nachtmusik
Brahms' lullaby
Waves
Rain
White Noise
Heartbeat

NIGHTLIGHT

Built-in nightlight provides a soft glow,
with 3 brightness settings.

SCHEDULE

Sleep time with Constant ON, 15 | 30 | 60 minutes settings

PORTABLE

Use anywhere with 3 AAA Batteries (sold separately)

AC POWER

Plug into any USB power adapter (sold separately)



NATURE
SOUNDS



3-MODE
NIGHTLIGHT



WHITE
NOISE



SLEEP
TIMER

Includes:

Sound Soother
Micro USB

Model: PNP50

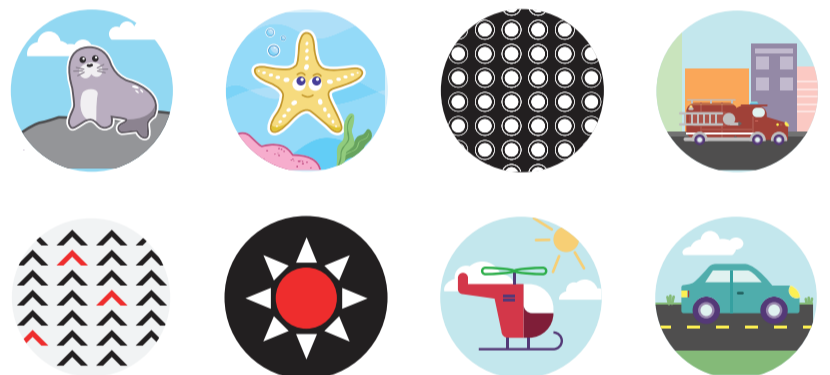
UPC: 044476134418

Master Pack: 4

4-in-1 Soothing Projector w/ nightlight + timer



Comforting images project on the ceiling in your child's room



Features:

SOUND SOOTHER - Help your little bundle of joy sleep soundly with 3 lullabies and 5 pre-loaded sounds.

NIGHTLIGHT - Built-in nightlight provides a soft glow, with 3 brightness settings.

SCHEDULE - Sleep time with Constant ON / 60 minutes settings

PORTABLE - Use anywhere with 3 AAA Batteries (sold separately)

AC Power - Plug in for continuous use

CEILING PROJECTED IMAGES

LULLABIES & SOUNDS

3-MODE NIGHTLIGHT

SLEEPTIMER

Includes:

- Sound Soother
- 9 Projected Images
- Power adapter

Model: PNP75
UPC: 044476135910
Master Pack: 2

MYGUARD

WATER SHUTOFF

MGWLDS

MGWHTRS





SMART Laundry Shut Off System

With Automatic Shut Off And APP Alerts



- 

2.4GHz WiFi
- 

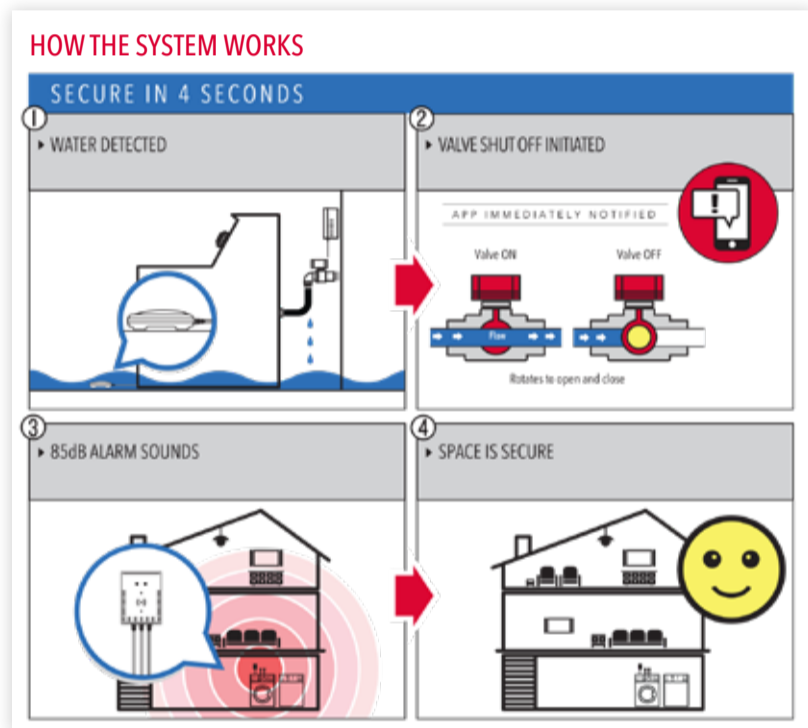
Loud audible alarm
- 

Power Outage mode
- 

Vacation mode
- 

Easy DIY installation
- 

No wiring is necessary



FEATURES

- Easy installation - attaches to existing plumbing
- Receive notification on your mobile phone from anywhere
- Loud continuous alarm when leak occurs
- Power outage mode - automatically shuts off water during power outage and then switches back on as power returns
- Vacation mode - simple push-button shut off puts your mind at ease while on your trip
- Water leak sensor - the water sensor is placed on the floor behind the washing machine
- 2 ball valves with fittings for washing machine hoses
- Silent reliable operation

SPECIFICATIONS

- Maximum Water Pressure: 150psi (10 bar)
- Maximum Water Temperature: 180°F (82°C)
- Works on 2.4GHz WiFi
- 110 VAC

Model# MGWLDS

- Master Pack :: 2
- UPC :: 044476130052
- One-Year Limited Warranty



DOWNLOAD THE FREE APP!





SMART Hot Water Heater Shut Off System

With Automatic Shut Off And APP Alerts



RECEIVE ALERTS VIA THE APP



2.4GHz WiFi



Loud audible alarm



Power Outage mode

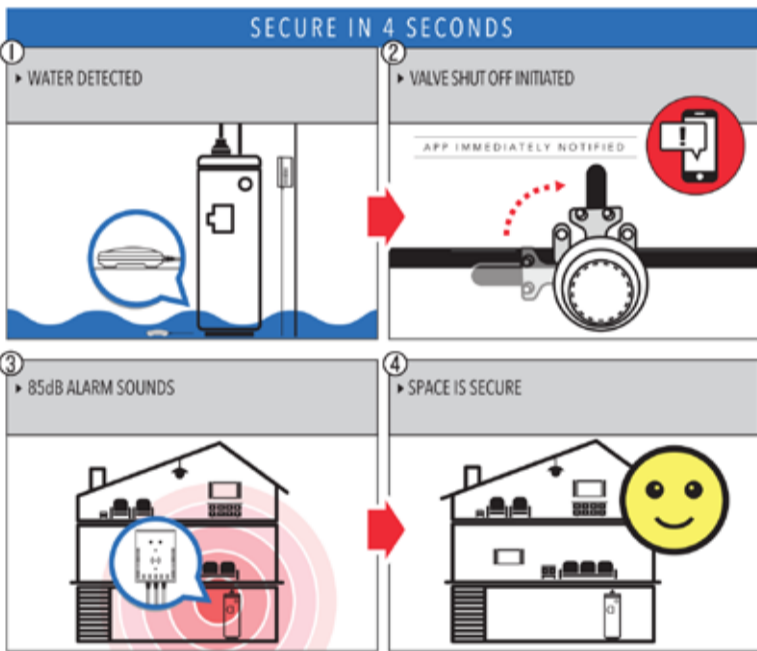


Easy DIY installation



No wiring is necessary

HOW THE SYSTEM WORKS



EASY INSTALLATION - NO PLUMBER NEEDED



FEATURES

- Easy installation - attaches to existing plumbing
- Receive notification on your mobile phone from anywhere
- Loud continuous alarm when leak occurs
- Power outage mode - automatically shuts off water during power outage and then switches back on as power returns
- Water leak sensor - floor sensor will turn off cold water input automatically when moisture is detected
- Faulty pressure release shut down - Receive notification and water will shut down if pressure release valve runs for 60 seconds
- Compatible with most lever action ball valves
- Silent reliable operation

SPECIFICATIONS

- 12V DC, 1A (power adapter included)
- Cord 5 ft
- 2.4 GHz WiFi connection

Model# **MGWHTRS**

- Master Pack :: 2
- UPC :: 044476134081
- One-Year Limited Warranty



DOWNLOAD THE FREE APP!





AUDIO & ACCESSORIES

NEW HPTWS10

NEW JNFMT12

JNICAM24

PCHQIT5 (COLORS)

NEW PCHU224A

NEW RBTTX10

NEW SKL10

NEW UVC100

NEW WHP24



WIRELESS EARBUDS

Model# HPTWS10
 color :: white
 master pack :: 12
 upc :: 0 4447613957 4

- + 4-hours of music, 3-hours of calling per charge
- + Total playtime with charging case: 20-hours
- + Built-in microphone
- + Touch voice assistant control
- + Volume and touch playback controls
- + Sweat resistant
- + Charging cable included



MUSIC | CALLS
 WIRELESSLY





WIRELESS FM TRANSMITTER

with USB charging

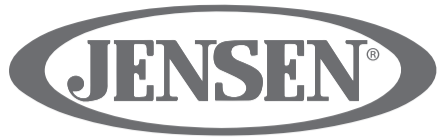
Model# JNFMT12
color :: black
master pack :: 6
upc :: 0 4447613985 7

- + Stream music wirelessly from your smartphone to your car stereo
- + Crystal-clear hands-free phone calls
- + 2.1A USB fast charging
- + Insert USB drive to play MP3/WMA/APE/FLAC/WAV
- + Power from the car cigarette lighter 12V~24V



PLUG-IN AND PLAY
IN YOUR CAR





Flexible, waterproof micro-inspection camera

WITH 2.4" COLOR LCD SCREEN



Model# JNICAM24
color :: black
master pack :: 3
upc :: 0 4447613828 7

2.4"
COLOR
LCD
SCREEN!

- + Optimized 2.4" LCD screen delivers a crisp, clear image
- + 6 adjustable LED lights provide best-in-class brightness without shadows or glare
- + Flexible 4' cable delivers unmatched durability and maneuverability
- + 2x zoom for greater distances without any loss in detail
- + Waterproof camera cable is perfect for wet conditions
- + Included mirror, magnet and hook attachments with convenient in-handle storage compartment
- + Requires 4-AA batteries, sold separately



LED light camera



180° rotating screen view



Digital zoom



MIRROR



MAGNET



HOOK



WIRELESS CHARGING PAD



Model# PCHQIT5BK
 color :: black
 master pack :: 4
 upc :: 0 4447613930 7



Model# PCHQIT5RD
 color :: red
 master pack :: 4
 upc :: 0 4447613931 4

- + Provides 5W charging speed for Qi-enabled devices including iPhone 11, 11 Pro, 11 Pro Max, XS, XS Max, XR, X, 8, 8 Plus, AirPods 2 / Samsung Galaxy S20, S20+, S10, S10+, S10e, S9, S9+, Note10, Note10+, Note9, Note9+ / Google Pixel 4, 4XL, 3, 3XL and more.
- + Micro cable included

SIMPLY PLACE & CHARGE





UNIVERSAL TRAVEL ADAPTER

Model# PCHU224A
 color :: black
 master pack :: 6
 upc :: 0 4447613960 4



- + 3-outlets & 2-USB ports
- + Power rating: 100-240V, dual 8A fuse
- + Covers over 200 countries with US/UK/EU/AUS plugs

2.4 AMP USB CHARGING



POWER AND CHARGE AROUND THE GLOBE





WIRELESS AUDIO TRANSMITTER & RECEIVER

Model# RBTTX10
 color :: black
 master pack :: 6
 upc :: 0 4447613959 8

32'
RANGE



TRANSMITTER MODE

+ Transform a non-Bluetooth device into a Bluetooth transmitter



RECEIVER MODE

+ Add Bluetooth functionality to your non-Bluetooth devices



ENJOY REAL-TIME
HIGH QUALITY AUDIO STREAMING





SELFIE LIGHT RING

Model# SKL10
color :: white
master pack :: 12
upc :: 0 4447613961 1

- + Compatible with all smart phones, tablets and laptops
- + 3-level brightness adjustable
- + Includes USB Micro charging cable

**FLAWLESS
PHOTOS & VIDEOS.
ANYWHERE.**



**CREATE A MORE
BEAUTIFUL SELFIE.**



PHONE & MASK SANITIZER

with usb charging port



Model# UVC100
 color :: white
 master pack :: 6
 upc :: 0 4447613958 1
 90-Day Limited Warranty

- + Kills 99.99% of bacteria in 6 minutes
- + Dual 254nm UVC lamps
- + 5V 1000mA USB charging port - Charge and sanitize the phone
- + Compatible with most 6.5" smartphones, watches, earphones, keys and more
- + Aromatic diffuser: add a few drops of essential oils to freshen up your device



SANITIZE ANYTHING THAT FITS INSIDE!





wireless headphones

WITH RF TRANSMITTER



Model# WHP24

color :: black

master pack :: 6

upc :: 0 4447613952 9



HEADPHONES

- + Soft, adjustable fit for extreme comfort
- + Up to 100' range
- + Built-in FM radio tuner
- + Volume control
- + Power supply: 2 AAA batteries (sold separately)

TRANSMITTER

- + Chat hands-free with built-in mic
- + Frequency range: 87.5 + 0.5 MHz
- + Power supply: 2 AAA batteries (sold separately)

INCLUDES

- + 3.5mm AUX cable





WIRELESS SPEAKERS & ACCESSORIES

AWSEE320BK - Santa Clara 2

AWSHRT2 - Heartland 2

ALQ100BKA - LED Desk Lamp

NEW APR10 - AM/FM Pocket Radio

AR[®]

wireless speaker with color changing light modes

★ ELITE SERIES ★

20 WATT SYSTEM



BREATHE

MULTIPLE LIGHT MODES



SOLID



DANCE



PARTY

Bluetooth[®] – play music from your smartphone or tablet

Distinctive Audio — 20-watt stereo system plus dual enhanced bass radiators

Multimode lighting with both white and multi-color lights

Durable IPX4-rated design that is weather resistant

Stereo capable* – combine 2 speakers for wireless stereo (sold separately)

Rechargeable built-in battery or operates with included AC adapter

Up to 14 hours of play time**

Speaker – 14.6" x 10.5" x 10.5"

INCLUDES

- » Speaker
- » AC power adapter
- » Attached 3.5mm connection cable
- » User manual



AWSEE320BK | STYLE: SANTA CLARA 2

UPC: 044476132629

Master Pack: 2

One-Year Limited Warranty



*Works with AWSEE320BK only. **Actual playing time may vary. Product and specifications subject to change.

AR[®]

rechargeable wireless speaker with LED flickering flame light



FLAME LIGHT

LED flickering flame light

Dynamic full-range sound with passive bass radiator

Stereo capable* — combine 2 speakers for wireless stereo (sold separately)

Durable IP54-rated design that is weather resistant

Up to 12 hours of playtime from rechargeable battery

Separate light and speaker controls

Speaker — 10" H x 4.1" W x 4.1" D

INCLUDES

- » Speaker
- » USB charging cable
- » User manual

 **Bluetooth[®]**

AWSHRT2 | STYLE: Heartland 2

UPC: 044476138454

Master Pack: 2

One-Year Limited Warranty



*Works with AWSHRT2 only. **Actual playing time may vary. Product and specifications subject to change.



LED DESK LAMP WITH WIRELESS CHARGING

ALQ100BKA

UPC: 044476139871

Master Pack: 2

One-Year Limited Warranty

- » 80-degree flexible head and neck
- » 5-watt wireless Qi charging for compatible mobile devices
- » Energy-Saving and Eco-Friendly LED light
- » Touch sensitive controls to brighten and dim the light - 5 levels
- » 3 light temperatures: warm, cool, and neutral
- » Easy to read LED display with time, date, and temperature
- » High/low LED display brightness control
- » Alarm function with "No Worry" battery backup



WIRELESS CHARGING



TOUCH CONTROL DIMMABLE LIGHT



400 LUMENS BRIGHTNESS



ALARM CLOCK



CALENDAR



3 LIGHT TEMPERATURES WARM, COOL, AND NEUTRAL



180-DEGREE FLEXIBLE NECK



TEMPERATURE



AM/FM POCKET RADIO

APR10

UPC: 044476139949

Master Pack: 6

One-Year Limited Warranty

- » AM/FM radio
- » 3.5mm headphone jack
- » Detachable belt clip
- » Uses (2) "AA" batteries (sold separately)



AM/FM RADIO



STEREO EARBUDS



DETACHABLE
BELT CLIP



REPLACEABLE
BATTERIES





SPQ820BK - Wireless Charging Speaker

808®

GRIPPOWER

WIRELESS
SPEAKER
+ CHARGING

Bluetooth®



PLAY AND CHARGE

SPQ820BK

Color :: black

Master Pack :: 4

UPC :: 0 4447613728 0

One-Year Limited Warranty

**Features:**

- » Enjoy music wirelessly from your smartphone or tablet
- » Up to 20 hours of playtime from the rechargeable battery
- » Pair 2 speakers for dynamic stereo sound
- » Wirelessly charge your smartphone
- » Lightweight, fully portable design that fits wherever you go
- » 360° wide range sound design
- » Aux input to enjoy music from mp3 players and other wired sources

Includes:

- » USB charging cable
- » Aux-in cable

**STEREO CAPABLE****CHARGES ON CONTACT**

Product size: 3.4"w X 4.4"h X 3.5"d

808®

Check out our full line at 808audio.comWORKS WITH 

MISCELLANEOUS, CLEANING AND CARE

RD2007Z

RDCFBZ

RSC15 (COLORS)

SURF201Z



Vinyl Record Care System

RD2007Z

master pack :: 6

upc :: 0 4447613679 5

Limited Lifetime Warranty



Removes dust, dirt and fingerprints from your vinyl records, bolstering playback and performance

Includes:

- + Vinyl record cleaning pad
- + Vinyl record cleaner
- + Mini dust brush
- + Storage pouch





Carbon Fiber Vinyl Record Brush

RDCFBZ

color :: black/silver

master pack :: 12

upc :: 0 4447613850 8

One-Year Limited Warranty




Static-Off



Removes static, dust, dirt and fingerprints from your vinyl records, bolstering playback and performance

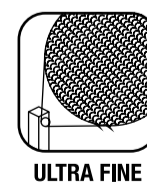
- + Conductive Carbon Fiber Brush
- + Removes Dirt and Dust from Vinyl
- + Removes Audio Snap, Crackles, and Pops

SCREEN KLEEN



Model# RSC15TQ
 color :: white/turquoise
 master pack :: 12
 upc :: 0 4447613576 7

Model# RSC15SL6V
 color :: white/silver
 master pack :: 24
 upc :: 0 4447613575 0



surface[™]
above and beyond clean[™]

MULTIPURPOSE **SCREEN CLEANER** WITH MICROFIBER CLOTH

Model# SURF201Z
master pack :: 4
upc :: 0 4447607763 0



- Removes dust, dirt and fingerprints
- No residue or harm to screens
- Alcohol-free, ammonia-free and streak-free

Includes: 6.76 FL OZ (200mL) spray and cloth



*Biodegradability determined by OECD 301 B test method.

©2021 VOXX Accessories Corp. Indianapolis IN. A wholly-owned subsidiary of VOXX International Corporation. Products and Specifications Subject to Change. www.surface-clean.com

iPad is a trademark of Apple Inc., registered in the U.S. and other countries. Specifications and features subject to change without notice. Product may vary from that shown. All rights reserved. All trade names are registered trademarks of their respective owners.

VOXX WEBSITES

surface[™]
above and beyond clean[™]

▶ Surface-clean.com

SINGSATION[™]

▶ SingsationKaraoke.com



▶ RCAantennas.net

▶ RCAaudiovideo.com/clock-radios/

▶ RCAaudiovideo.com/remotes/

▶ RCAaudiovideo.com/wall-mounts/

▶ RCAaudiovideo.com/connectivity/

TERK[®]

▶ Terk.com

pr✿ject nursery[®]

▶ ProjectNursery.com/electronics

MYGUARD 

▶ RCAaudiovideo.com/smart-home/

AR
Acoustic
Research[®]

▶ ARspeakers.com

808[®]

▶ 808audio.com