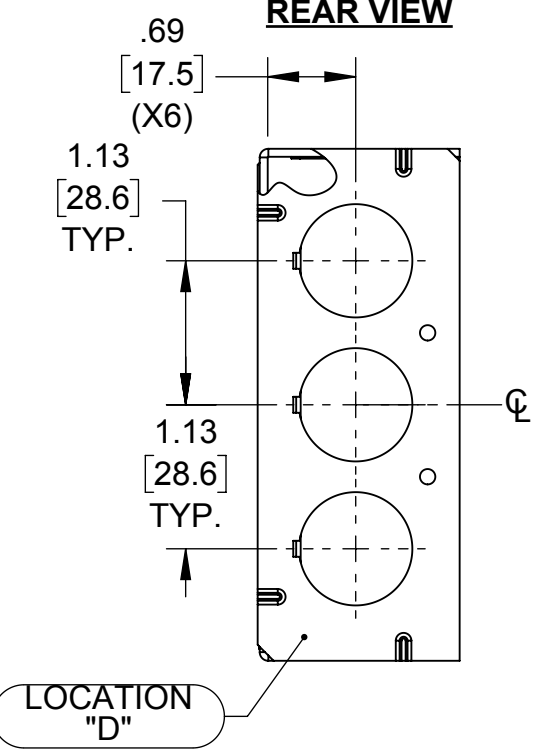
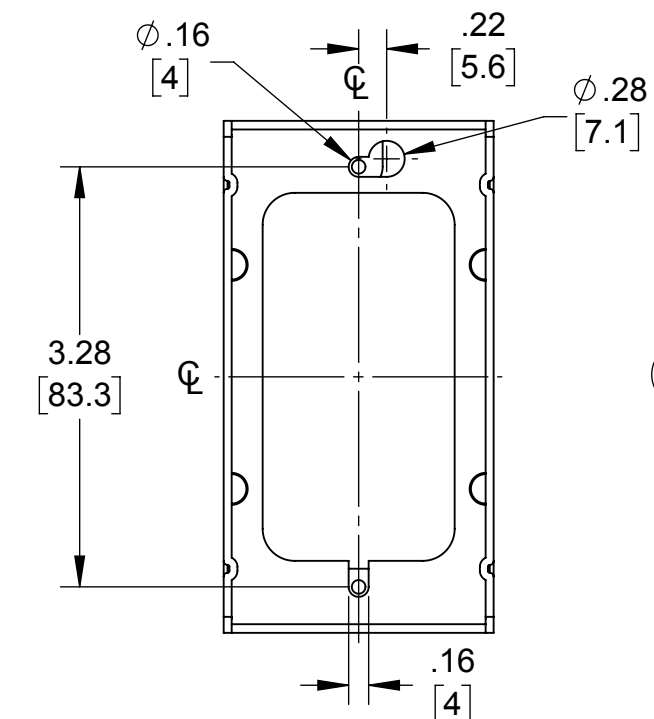
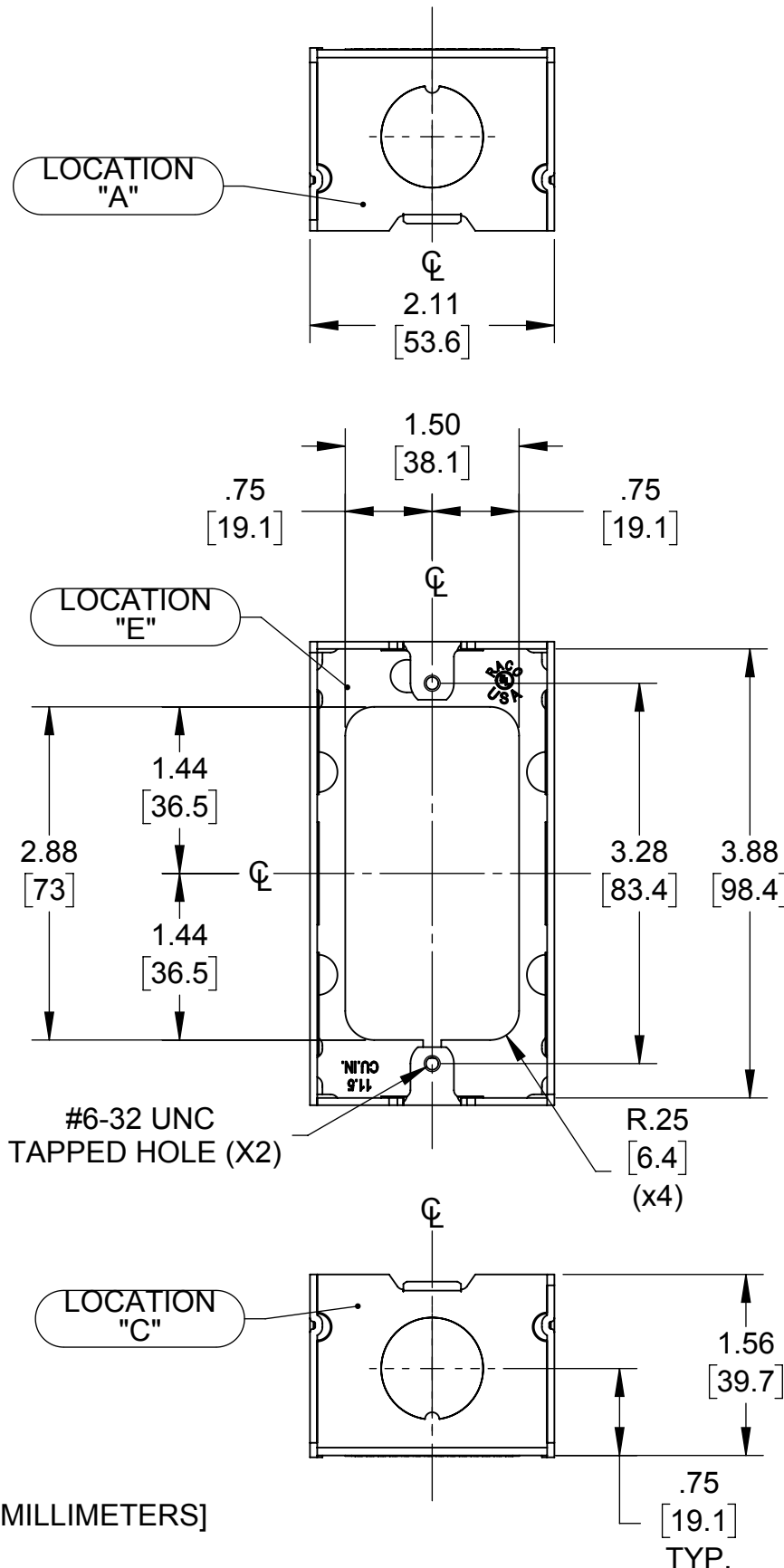
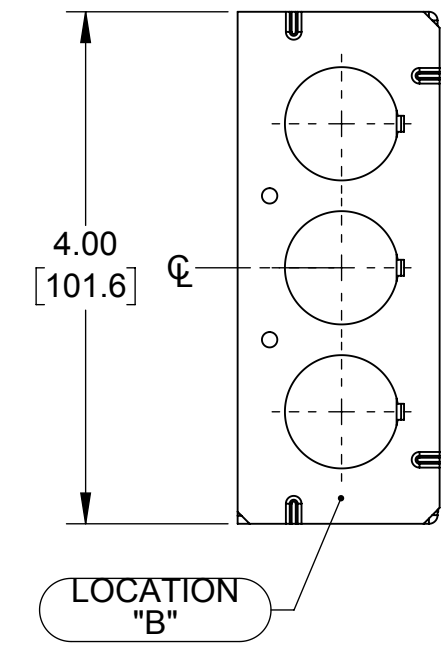
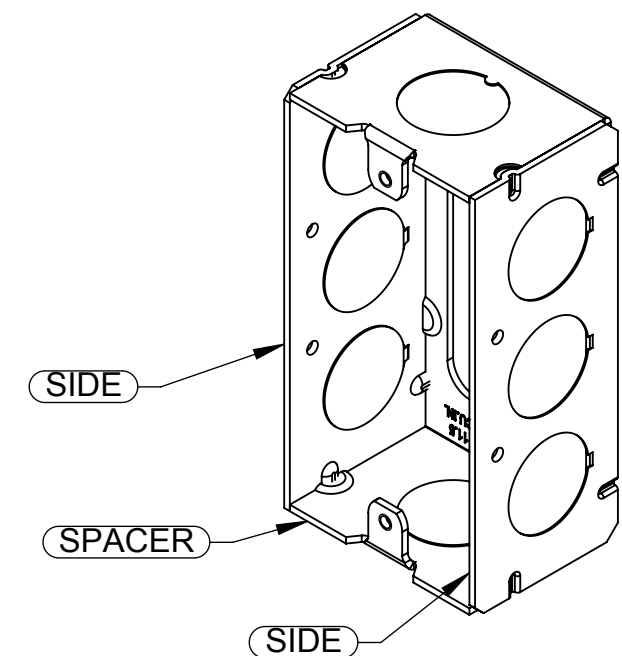


**LIST OF PARTS**

DESCRIPTION	MATERIAL	FINISH
SPACER	STEEL	GALVANIZED
SIDES	STEEL	GALVANIZED



KNOCKOUTS		
TRADE SIZE	LOCATION	QTY.
1/2" KO	A,C	1
1/2" KO	B,D	3

SYMBOL	REVISION DESCRIPTION	APP	DATE
	INITIAL RELEASE	RMV	01/24/17

THE DESIGN AND DIMENSIONS OF THE PRODUCT SHOWN ON THIS DRAWING ARE SUBJECT TO CHANGE WITHOUT NOTICE

TITLE:  
**4" X 1.5" DEEP WELDED BOX W/ (8) 1/2" KO'S (UL) & BARCODE LABEL**

TOLERANCE UNLESS OTHERWISE SPECIFIED		<p><b>RACO</b> South Bend, Indiana</p>	SCALE: <b>1:1.5</b>
.XX DECIMAL ±.015	DRAWN BY: <b>RMV</b>		
.XXX DECIMAL ±.005	APP. BY: <b>N.S.</b>		
ANGLE ±2°	DATE: <b>01/24/17</b>		

- NOTES:
- ALL DIMENSIONS ARE IN INCHES AND [MILLIMETERS]
  - BOX VOLUME: 11.5 IN<sup>3</sup> [188.5] CM<sup>3</sup>
  - UL LISTED