

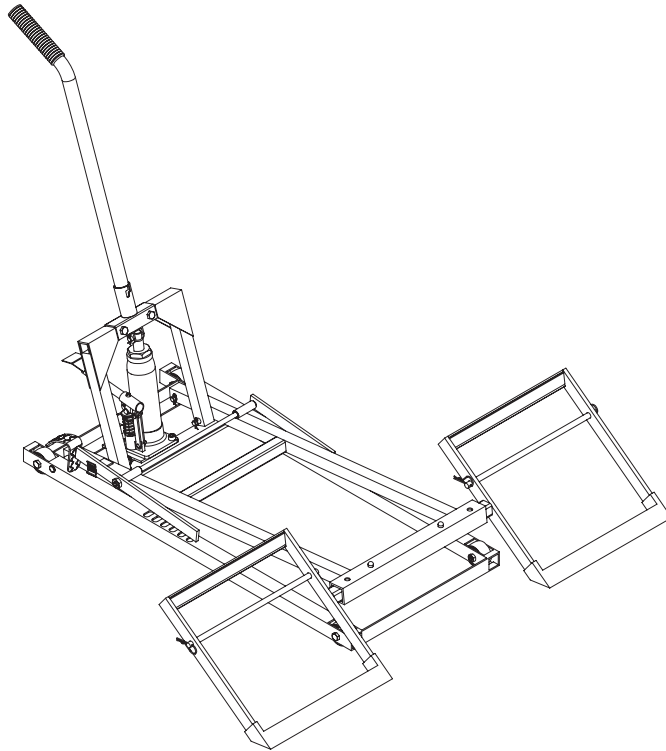


Lawn Mower Lift

Operating Instructions & Parts Manual

Model Number
T-5335A

Capacity
350 lbs / 159 kgs



US Patent No. D688,022

US Patent No. 8,608,130 B2

⚠ WARNING

- Read, understand and follow all instructions provided with and on this device before using.
- Failure to heed these messages may result in personal injury and/or property damage.

GENERAL INFORMATION

Save these instructions. For your safety, read, understand, and follow the information provided with and on this lift. The owner and operator of this equipment shall have an understanding of this lift and safe operating procedures before attempting to use. The owner and operator shall be aware that use and repair of this product may require special skills and knowledge. Instructions and safety information shall be conveyed in the operator's native language before use of this lift is authorized. If any doubt exists as to the safe and proper use of this jack, remove from service immediately.

Inspect before each use. Do not use if broken, bent, cracked, or damaged parts (including labels) are noted. Any lift that appears damaged in any way, operates abnormally or is missing parts, shall be removed from service immediately. If the lift has been or suspected to have been subjected to a shock load (a load dropped suddenly, unexpectedly upon it), immediately discontinue use until lift has been checked by a factory authorized service center. It is recommended that an annual inspection be done by qualified personnel. Labels and Owner's Manuals are available from manufacturer (see Replacement Parts, page 5).

PRODUCT DESCRIPTION

The Pro-Lift Lawn Mower Lift is specifically designed to lift and support up to rated capacity loads consisting of a single Riding Lawn Mower whose frame is compatible with the lifting members of the lift. This lift is NOT suitable for lifting, leveling and/or positioning cars, trucks, SUV's or conveyances other than those specifically listed and approved above. This lift is NOT suitable for lifting, leveling and/or positioning houses, construction trailers or dwellings in general. This product is designed to be permanently assembled. The Hydraulic unit is not to be used independently of the lift.

SPECIFICATIONS

Base Size (L x W)	Lift Surface	Capacity	Compatible Wheel Span	Lift Height
33-1/2" x 15-3/16"	Wheel Basket	350 lbs.	40-3/4" to 49-3/8" Outside Span	23"

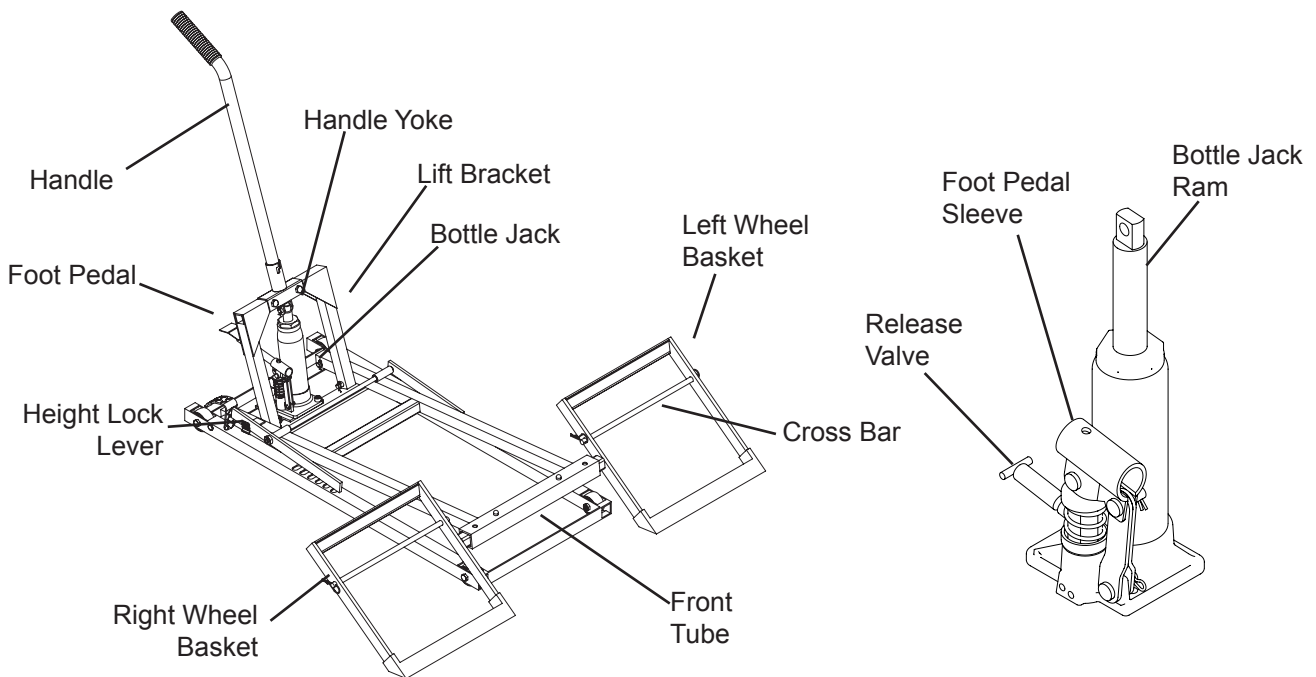


Figure 1: Lawn Mower Lift nomenclature.

BEFORE USE

Inspect lift before each use:

1. Before using this product, read the owner's manual completely and familiarize yourself thoroughly with the product and the hazards associated with its improper use.
2. Ensure that rollers and lift arms move freely. Check for and tighten any loose assemblies. Do not use if cracked, broken, bent or otherwise damaged parts are noted or if the lift is suspected to have been subjected to a shock load. A shock load is caused by rapidly opening and closing the release valve while the lift is loaded. Such operation may result in a hydraulic overload which may damage the hydraulic unit.
3. Verify that the product and the application are compatible. Incompatibility is evident when the loaded mower wobbles, feels unstable, and/or does not set securely in the lift's Wheel Baskets. Tying down incompatible loads will not make the loads secure and may cause unexpected loss of load resulting in personal injury and/or property damage.
4. Owner and operators of this device shall be aware that no serviceable or replaceable parts are available for this device other than those parts listed on page 5. Any lift that appears to be damaged in any way, is worn or operated abnormally shall be removed from service immediately until such time as repairs can be made. Do not attempt to weld, rivet or otherwise repair this device.
5. DO NOT modify or alter this device. It is recommended that an annual inspection be done to this device by qualified persons and that missing or damaged labels, warning/safety decals be replaced with factory authorized labeling.

ASSEMBLY

1. Attach the Lift Bracket to the lift arms with the pins provided. Secure pins with the washers and clips provided.

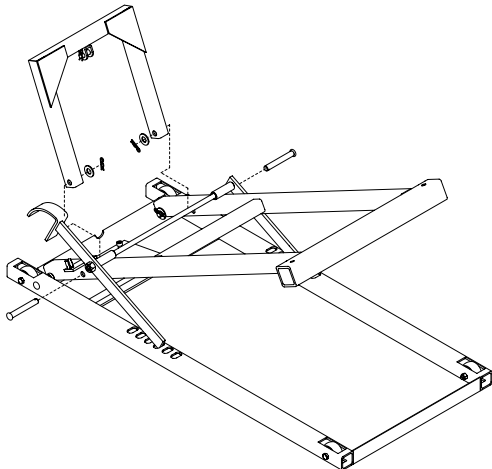


Figure 2: Lift Bracket Assembly.

!WARNING

- *Study, understand and follow all instructions before operating this device.*
- *Use of this product is limited to lifting, holding and lowering loads consisting of a single mower compatible with the lift platform. Incompatibility is evident when the loaded mower wobbles, appears unstable, and/or does not securely engage the Wheel Baskets.*
- *Restraining an incompatible load will not make the load secure and may cause unexpected loss of load.*
- *Do not exceed rated capacity.*
- *Use only on hard, level surface capable of supporting the load.*
- *Center load on lift platform.*
- *Immediately after lifting load, ensure lift mechanical load holding device is engaged.*
- *Never work on, under or around a load that is not stable or secure.*
- *Keep operator's and bystander's head, hands and feet away from lift arms when raising and lowering.*
- *No alterations shall be made to this product.*
- *Only attachments, restraints or adapters supplied by the manufacturer shall be used.*
- *Failure to heed these messages may result in personal injury and/or property damage.*

2. Attach Bottle Jack to receiver platform using (2) M6 socket head screws and nuts.

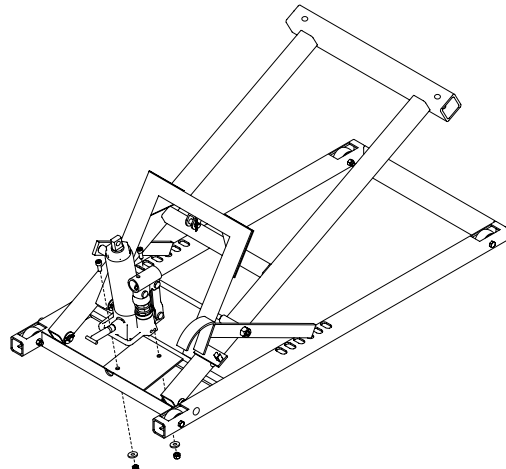


Figure 3: Bottle Jack assembly to platform.

ASSEMBLY

3. Insert the Bottle Jack pin to connect the Bottle Jack to the Lift Bracket. The bottle jack needs to be pumped to the point that the bottle jack can connect to the bracket. Secure with clip.

NOTE: If holes do not line up, twist the Bottle Jack Ram until they are aligned.

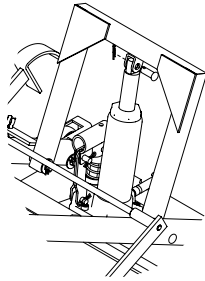


Figure 4: Inserting Bottle Jack Pin.

4. Install Wheel Baskets into the Front Tube until spring clip pops into hole (2 positions provided). Repeat for other side.

⚠ WARNING: Place both brackets in same hole position so that the load is symmetrical, or damage may occur to lift resulting in possible injury.

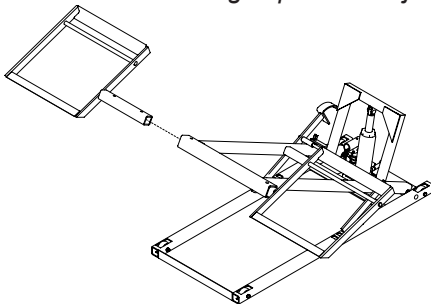


Figure 5: Wheel Basket attachment.

5. Install Handle Yoke onto Lift Bracket using (2) M6 bolts and nuts. When installing the Handle Yoke, the slit needs to be face up.

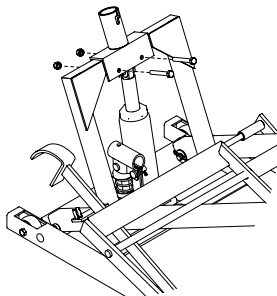


Figure 6: Handle Yoke assembly.

6. Install Foot Pedal into Foot Pedal Sleeve and secure with M5 phillips screw.

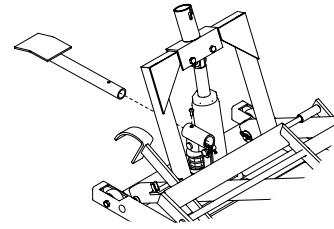


Figure 7: Foot Pedal assembly.

7. Insert Handle and twist to secure pin in Yoke slot.

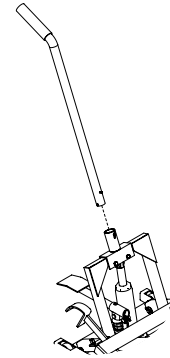


Figure 8: Handle assembly.

8. After assembly, ensure lift rolls freely, lifts, locks and lowers easily, and the Bottle Jack operates smoothly before putting into service. Familiarize yourself with operation of Height Locking Lever and Foot Pedal. Make sure all nuts and bolts are secure and locked tight

NOTE: The Wheel Baskets provided are meant for larger wheels. A cross bar has also been provided to be installed inside the basket to accommodate smaller diameter tires. Ensure that your lifting basket is set such that the lawn mower tire cannot fall through the basket.

OPERATION

1. Adjust Wheel Baskets to their correct position (Position 1 or Position 2).
2. The cross bars, located in the baskets, have been included for smaller tires. If your tires fit securely into the baskets with the cross bars in, leave the cross bars in place. If they do not fit securely into the baskets, remove the cross bars, so the tires will fit more securely.
3. Drive Mower onto the wheel baskets and position mower tire securely on wheel baskets centering the load on the lift.
4. Leave Mower Transmission in neutral. Use the notched end of the handle to engage and turn the release valve clockwise until firm resistance is felt to further turning. (This is the "Closed" release valve position used to raise the ram plunger.) Carefully pump jack until mower reaches desired height. Final

height must correspond with the locking teeth on the Height Locking levers.

5. Carefully turn the Release valve counter clockwise, slowly, until the Lift Platform locking levers engages the Height Locking Levers then close the release valve by turning it fully clockwise until firm resistance is felt.
6. Secure the mower by setting the parking break, putting the transmission in gear and chocking the wheels.

⚠ CAUTION: Clear all tools and personnel before lowering load. Only attachments and/or adapters supplied by the manufacturer shall be used with this device.

7. To lower the lift Platform, release the mower's parking brake, place transmission in neutral and remove chocks carefully. Pump the lift Pedal several times to disengage the Height Locking Levers. Carefully turn the Release valve counter-clockwise, slowly, but no more than 1 turn from the closed position, to lower the load slow and safe.

⚠ WARNING: The Lift Handle is used to operate the Bottle Jack Release Valve. Exercise caution when adjusting the Release Valve raise and lower load slowly and carefully.

REPLACEMENT PARTS

Not all components of the lift are replacement items, but are illustrated as a convenient reference of location and position in the assembly sequence. When ordering parts, give model number, part number and description below. Call or write for current pricing: phone (816) 891-6390, fax (816) 891-6599 or contact Pro-Lift Customer Support. 10939 N. Pomona Ave., Kansas City, MO 64153.

Model T-5335A

Item No.	Part No.	Description
1	T-5300-1	Bottle Jack
2	T-5300-2	Foot Pedal
3	T-5300-3	Handle
4	T-5335A-4	Left Wheel Basket Assembly
5	T-5335A-5	Right Wheel Basket Assembly
6	T-5300-6	Roller Assembly
7	T-5335A-7	Height Lock Lever Assembly
8	N/A	Notch
-	T-5335A-8	Hardware Kit (not shown)

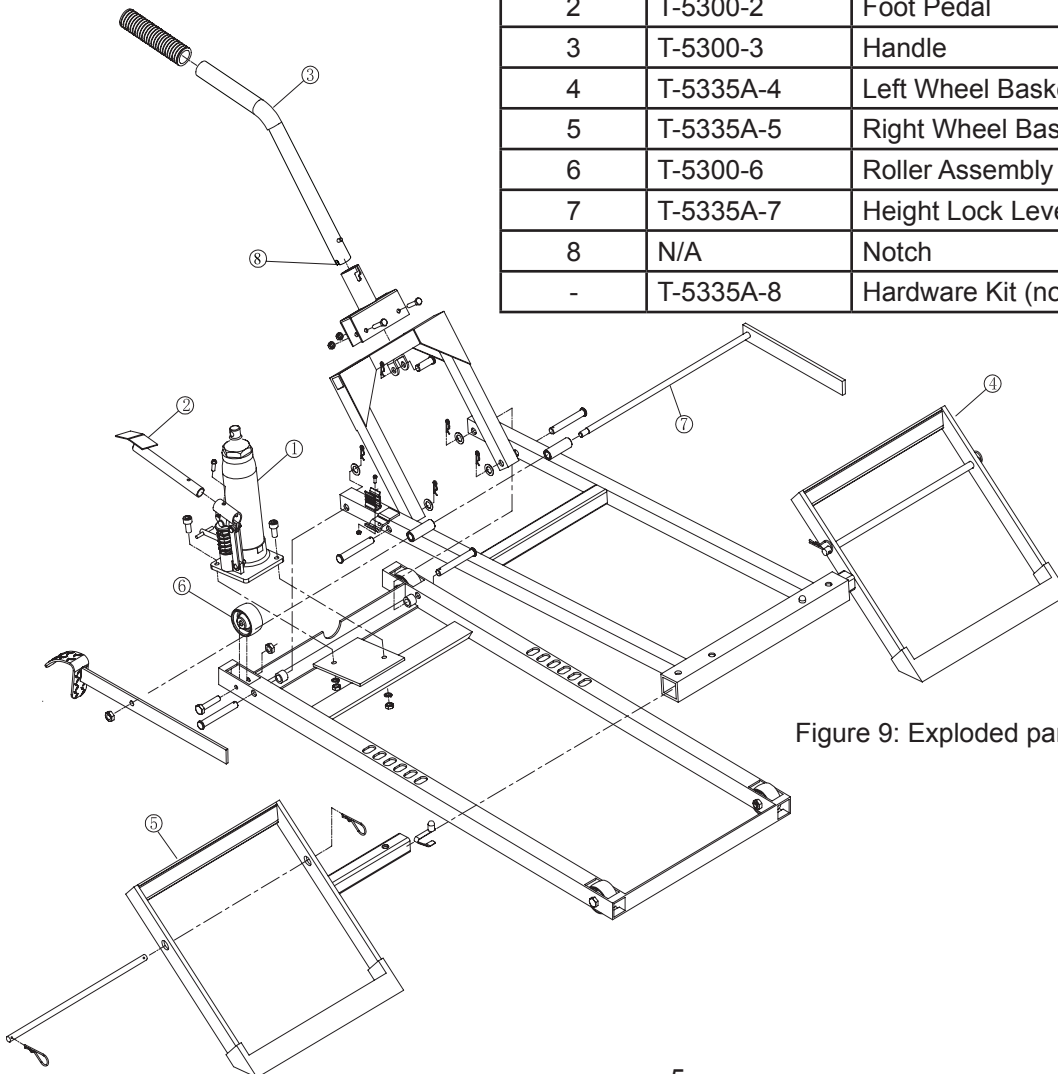


Figure 9: Exploded parts view.

MAINTENANCE

Keep lift clean and well lubricated. Apply light machine oil to all joints as needed. Thoroughly wipe excess oil to prevent slipping. Use only quality grade hydraulic oil. Avoid mixing different types of fluid and NEVER use brake fluid, turbine oil, transmission fluid, motor oil or glycerine. Improper fluid can cause jack failure.

Adding oil

1. To check hydraulic oil level, remove unit from lift, place unit upright on a stable, level surface. Remove oil filler plug.
2. Oil should be even with Filler Plug hole. If low, add high quality hydraulic jack oil ONLY.
3. Reinstall Filler Plug and Bottle Jack into receiver of lift. Secure with provided hardware.

Changing oil

To get the longest life possible out of your lift, change the hydraulic oil after 7 years of use, sooner if used in a dust and grit filled environment. Do not expose to moisture. Dry lift completely if it gets wet. Check pump

piston and ram of hydraulic unit periodically for signs of rust and corrosion. Clean mildly affected areas with a clean oily cloth. Never use abrasives on the pump piston and ram surfaces.

1. Remove hydraulic unit from lift. Place unit upright on a stable, level surface. Remove oil filler plug and drain old oil into a suitable container.

NOTICE: *Dispose of used hydraulic fluid in accordance with local environmental regulations.*

2. Fill with high quality hydraulic jack oil. Reinstall Filler Plug then install Jack to lift.

Cleaning

Check pump piston and ram occasionally for signs of rust or corrosion. Clean as necessary and wipe with oily cloth.

Storage

When lift is not in use, lifting arm should be stored in fully retracted position.

TROUBLESHOOTING

Symptom	Possible Causes	Corrective Action
Hydraulic unit will not lift load	<ul style="list-style-type: none"> • Release valve not tightly closed • Overload condition 	<ul style="list-style-type: none"> • Contact Pro-Lift Customer Support • Remedy overload condition
Hydraulic unit bleeds off after lift	<ul style="list-style-type: none"> • Overload condition • Hydraulic unit malfunction 	<ul style="list-style-type: none"> • Remedy overload condition • Contact Pro-Lift Customer Support
Lift will not lower after unloading	<ul style="list-style-type: none"> • Reservoir overfilled • Linkages binding 	<ul style="list-style-type: none"> • Drain fluid to proper level • Clean and lubricate moving parts
Poor lift performance	<ul style="list-style-type: none"> • Fluid level low • Air trapped in system 	<ul style="list-style-type: none"> • Ensure proper fluid level • With ram fully retracted, remove oil filler plug to let pressurized air escape, then reinstall oil filler plug
Will not lift to full extension	<ul style="list-style-type: none"> • Fluid level low 	<ul style="list-style-type: none"> • Ensure proper fluid level

90 DAYS LIMITED WARRANTY

For a period of ninety (90) days from date of purchase, **SFA Companies, Inc.** will repair or replace, at its option, without charge, any of its products which fails due to a defect in material or workmanship, or which fails to conform to any implied warranty not excluded hereby.

Performance of any obligation under this warranty may be obtained by returning the warranted product, freight prepaid, to **SFA Companies, Inc.** Warranty Service Department, 10939 N. Pomona Ave., Kansas City, MO 64153.

Except where such limitations and exclusions are specifically prohibited by applicable law, (1) the CONSUMER'S SOLE AND EXCLUSIVE REMEDY SHALL BE THE REPAIR OR REPLACEMENT OF DEFECTIVE PRODUCTS AS DESCRIBED ABOVE, and (2) **SFA Companies, Inc.** SHALL NOT BE LIABLE FOR ANY CONSEQUENTIAL OR INCIDENTAL DAMAGE OR LOSS WHATSOEVER, and (3) THE DURATION OF ANY AND ALL EXPRESSED AND IMPLIED WARRANTIES, INCLUDING WITHOUT LIMITATION, ANY WARRANTIES OF MERCHANTABILITY AND FITNESS FOR A PARTICULAR PURPOSE, IS LIMITED TO A PERIOD OF NINETY (90) DAYS FROM DATE OF PURCHASE.

Some states do not allow limitations on how long an implied warranty lasts, so the above limitation may not apply to you. Some states do not allow the exclusion or limitation of incidental or consequential damages, so the above limitation or exclusion may not apply to you. This warranty gives you specific legal rights, and you may also have other rights which vary from state to state.

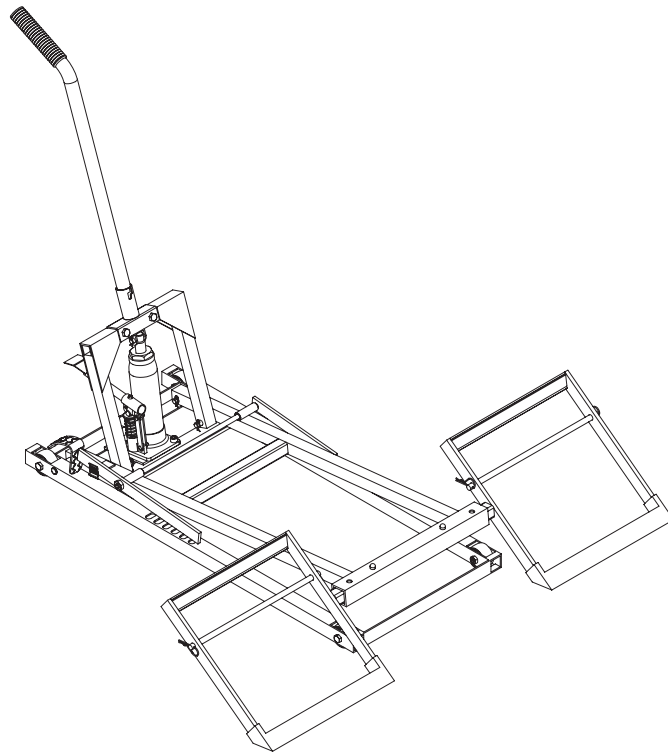


Lève-tondeuse

Manuel des consignes d'utilisation et des pièces

Numéro de modèle
T-5335A

Capacité
159 kg (350 lb)



Brevet américains n° D688,022

Brevet américains n° 8,608,130 B2

⚠ MISE EN GARDE

- Lisez, comprenez et suivez toutes les consignes fournies ou qui se trouvent sur cette appareil avant de l'utiliser.
- Le non-respect de ces consignes peut entraîner des blessures ou des dommages matériels.

RENSEIGNEMENTS GÉNÉRAUX

Conservez ces instructions. Pour votre sécurité, lisez, comprenez et respectez toutes les consignes fournies avec et sur le cric de levage. Le propriétaire, ainsi que l'utilisateur, doit comprendre le fonctionnement de ce cric de levage et les consignes de sécurité associées à son utilisation avant de s'en servir. Ces personnes doivent aussi savoir que, pour utiliser ou réparer ce produit, il peut être nécessaire d'avoir des connaissances ou des habiletés spéciales. Avant que l'utilisation de ce cric de levage ne soit autorisée, il faut faire connaître à l'opérateur, dans sa langue maternelle, les instructions et les informations relatives à la sécurité. S'il y a des doutes quant à la façon adéquate et sécuritaire de se servir de ce cric, il faut en cesser l'utilisation immédiatement.

Inspectez avant chaque utilisation. N'utilisez pas les béquilles de cric s'il y a des pièces brisées, déformées, fissurées ou endommagées (ce qui inclut les étiquettes). Tout cric de levage qui semble endommagé, qui semble fonctionner anormalement, ou qui est incomplet doit être mis hors service immédiatement. Si l'on pense que le cric a été soumis, ou semble avoir été soumis, à une surcharge d'impact (charge qui serait tombée accidentellement dessus), cessez immédiatement de l'utiliser et faites-le vérifier par un centre de réparation agréé par l'usine. Il est recommandé qu'un personnel qualifié inspecte le réservoir annuellement. Il est possible de se procurer des étiquettes et manuels auprès du fabricant (consultez la section des pièces de rechange, à la page 12).

DESCRIPTION DU PRODUIT

Le cric de levage pour tondeuse Pro-Lift est spécialement conçu pour soulever et soutenir la charge de capacité nominale que constitue une tondeuse autoportée et dont la structure est compatible avec les bras de levage du cric. Ce cric de levage NE CONVIENT PAS pour le levage, le nivellement ou le positionnement de voitures, camions, VUS ou moyens de transport autres que celui expressément prévu et approuvé ci-dessus. Ce cric NE CONVIENT PAS pour le levage, le nivellement ou le positionnement de maisons, de caravanes de chantier ou de logements en général. Ce produit est conçu pour rester assemblé en permanence. L'unité hydraulique ne peut pas être utilisée sans le cric de levage.

SPÉCIFICATIONS

Dimension de la base (L x l)	Surface de levage	Capacité	Largeur de roulement compatible	Hauteur de levage
85 x 38,5 cm (33-1/2 x 15-3/16 po)	Support de roue	159 kg (350 lb)	104 à 125 cm (40-3/4 à 49-3/8 po) mesure extérieur des pneus	58,5 cm (23 po)

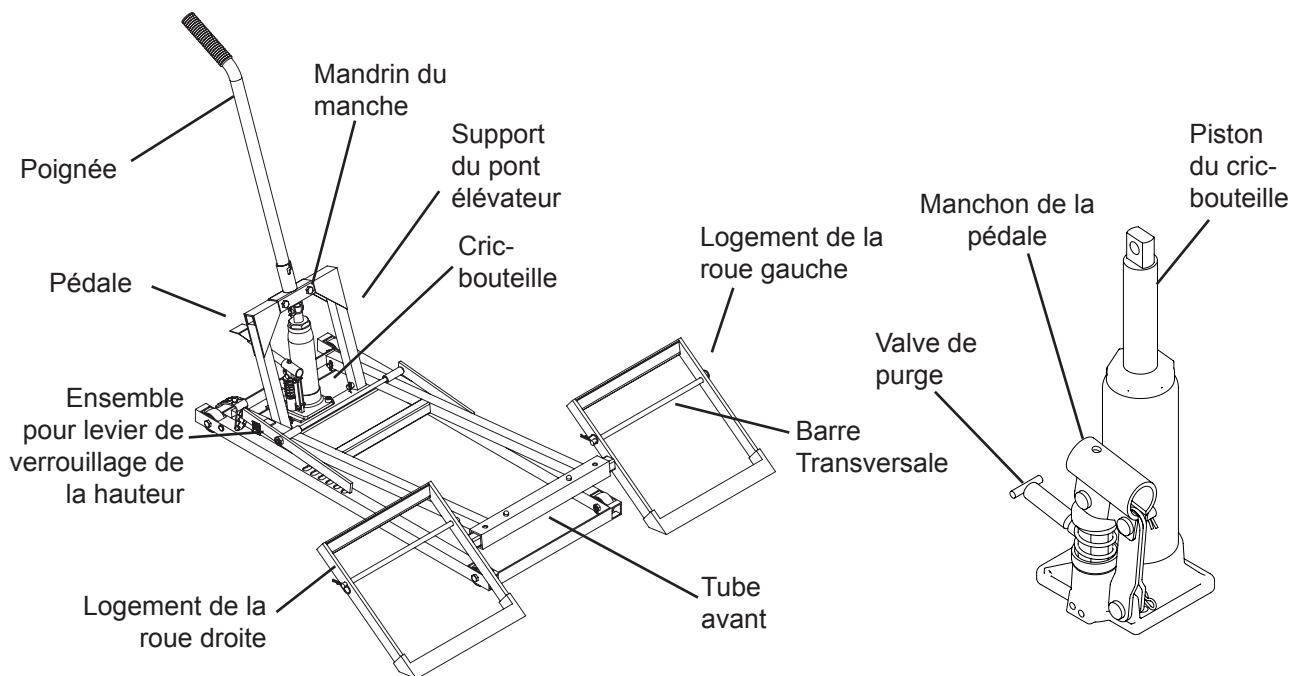


Figure 1: Nomenclature du cric de levage

AVANT L'UTILISATION

Inspectez le cric de levage avant chaque utilisation :

1. Avant d'utiliser ce produit, lisez tout le manuel d'utilisation et familiarisez-vous parfaitement avec celui-ci et les dangers associés à une utilisation incorrecte de celui-ci.
2. Veillez à ce que les roulettes et les bras de levage bougent librement. Vérifiez et resserrez toute partie lâche. N'utilisez pas l'appareil si vous constatez que certaines pièces sont cassées, déformées, fissurées ou endommagées ou si le cric a été soumis à une charge d'impact. Une charge d'impact est causée par l'ouverture et la fermeture rapide de la soupape de décharge alors que le cric est chargé. Une telle manœuvre peut entraîner une surcharge qui peut endommager l'unité hydraulique.
3. Vérifiez si le produit est compatible avec la tâche à accomplir. Une incompatibilité est évidente si la tondeuse commence à trembler, semble instable ou si les roues ne sont pas correctement nichées dans les cadres prévus sur le cric. Le fait d'attacher des charges incompatibles rendra celles-ci instables et pourrait entraîner une chute inattendue de la charge, ayant pour conséquence des blessures ou des dommages matériels.
4. Le propriétaire et les utilisateurs de cet appareil doivent savoir qu'il n'y a de service et pièces de rechange que pour les pièces mentionnées à la page 11. Tout cric de levage qui semble endommagé, usé ou qui fonctionne mal doit immédiatement être retiré du service jusqu'à réparation. Ne tentez pas de souder, riveter ou réparer cet appareil.
5. **NE MODIFIEZ** ou **NE CHANGEZ PAS** cet appareil. Il est recommandé qu'un personnel qualifié inspecte annuellement ce produit et que toute étiquette ou tout insigne d'avertissement/de sécurité endommagé ou manquant soient remplacés par des étiquetages autorisés par le fabricant.

ASSEMBLAGE

1. Fixez le support du pont élévateur aux bras de ce dernier à l'aide des tiges fournies. Fixez les tiges avec les rondelles et les attaches fournies.

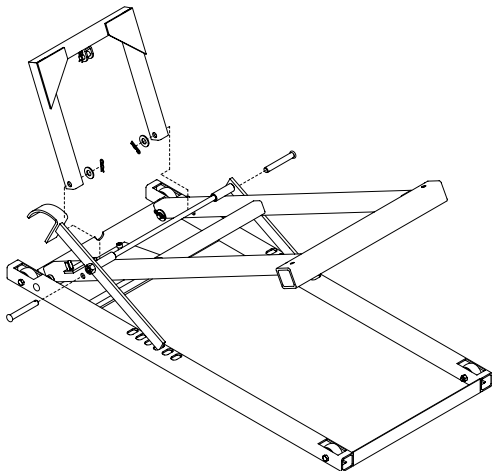


Figure 2 : Assemblage du support du pont élévateur

⚠ MISE EN GARDE

- Lisez, comprenez et respectez toutes les instructions avant d'utiliser ce produit.
- L'utilisation de ce produit se limite au levage, au maintien et à l'abaissement d'une charge constituée d'une tondeuse unique, compatible avec la plateforme de levage. Il y a incompatibilité lorsque la tondeuse chargée vacille, semble instable ou n'est pas bien engagée dans les logements des roues.
- Le fait d'arrimer une charge non compatible ne permet pas de la sécuriser, et il existe alors un risque de perte.
- Ne dépassez pas la capacité nominale.
- Utilisez le produit seulement sur des surfaces dures et de niveau capable de supporter la charge
- Centrez la charge sur la plateforme de levage.
- Une fois la charge soulevée, vérifiez immédiatement que le dispositif mécanique de retenue est enclenché.
- Ne travaillez jamais sur, sous ou autour d'une charge qui n'est pas stabilisée ou arrimée.
- L'opérateur et l'observateur doivent garder la tête, les mains et les pieds éloignés des bras de levage lors des manœuvres de levage et d'abaissement.
- Ne modifiez pas ce produit.
- N'utilisez que les accessoires, les fixations ou les adaptateurs fournis par le fabricant.
- Le non-respect de ces consignes peut entraîner des blessures ou des dommages matériels.

2. Fixez le cric-bouteille à la plate-forme réceptrice à l'aide de (2) vis à pans creux M6 et d'écrous.

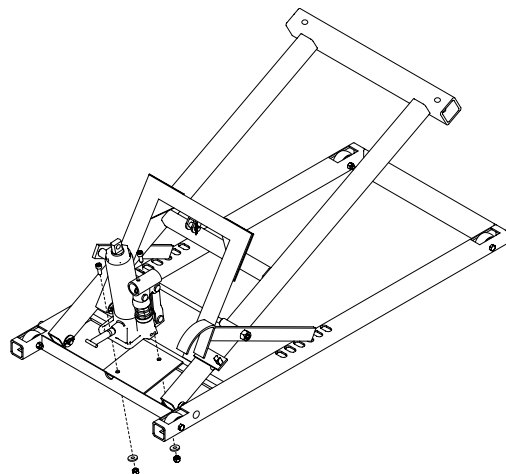


Figure 3 : Assemblage du cric-bouteille à la plate-forme

ASSEMBLAGE

3. Insérez la tige du cric-bouteille pour raccorder le cric au support du pont élévateur. La prise de bouteille doit être pompée au point que la prise de bouteille peut se connecter au support. Sécuriser avec un clip.

REMARQUE : Si les trous ne sont pas alignés, tournez le cric-bouteille jusqu'à ce qu'ils soient alignés.

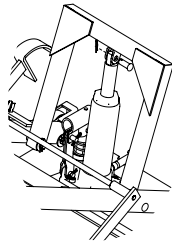


Figure 4: Insertion de la tige du cric-bouteille

4. Fixez les supports de roue dans le tube avant jusqu'à ce que le clip à ressort se mette en place (2 positions prévues). Répéter pour l'autre côté.

⚠ AVERTISSEMENT: Placez les deux supports dans la même position du trou afin que la charge soit symétrique, ou des dommages peuvent survenir pour provoquer des blessures éventuelles.

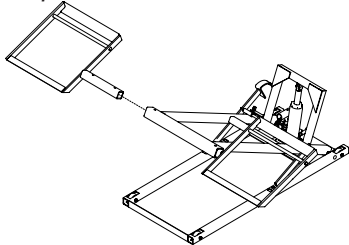


Figure 5: Fixation du support de roue

5. Fixez le mandrin du manche sur le support du pont élévateur en utilisant (2) boulons M6 et des écrous. Lors de l'installation de la manette, la fente doit être face vers le haut.

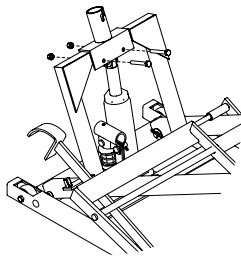


Figure 6: Assemblage du mandrin du manche

6. Installez la pédale dans le manchon de la pédale et fixez-la avec une vis cruciforme.

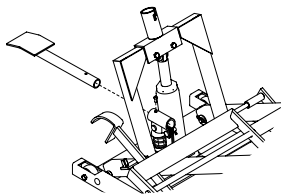


Figure 7: Assemblage de la pédale

7. Insérez le manche et tournez-le pour faire entrer la tige dans l'ouverture du mandrin.

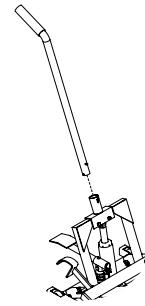


Figure 8 : Assemblage du manche

8. Après le montage, veillez à ce que le cric de levage roule sans contrainte, qu'il soulève, se cale et abaisse aisément et que le cric bouteille fonctionne correctement avant la mise en service. Familiarisez-vous avec le fonctionnement du levier de verrouillage pour la hauteur et la pédale de levage. Assurez-vous que tous les écrous et boulons sont bien serrés et verrouillés

REMARQUE: Les paniers de roue fournis sont destinés à des roues plus grandes. Une barre transversale a également été fournie pour être installée à l'intérieur du panier pour s'adapter à des pneus de plus petit diamètre. Assurez-vous que votre panier de levage est réglé de telle sorte que le pneu de la tondeuse ne puisse pas tomber dans le panier.

FONCTIONNEMENT

1. Réglez les supports de roue à leur position correcte (Position 1 ou Position 2).
2. Les barres transversales, situées dans les supports, ont été incluses pour les pneus plus petits. Si vos pneus s'adaptent solidement aux supports avec les barres transversales, laissez les barres transversales en place. S'ils ne rentrent pas dans les supports, retirez les barres transversales, de sorte que les pneus s'adaptent plus solidement.
3. Mettez la tondeuse sur les paniers de la roue et positionnez le rouleau de la tondeuse solidement sur les supports de roue en centrant la charge sur l'ascenseur.
4. Quitter la transmission de la tondeuse au point mort. Utilisez l'extrémité entaillée de la poignée pour s'engager et tournez la soupape de dégagement dans le sens des aiguilles d'une montre jusqu'à ce qu'une résistance ferme soit ressentie pour tourner davantage. (Ceci est la position de la soupape de fermeture "Fermé" utilisée pour élever le piston du piston). Enroulez la vanne jusqu'à ce que la tondeuse atteigne la hauteur souhaitée. La hauteur finale doit correspondre aux dents de verrouillage des leviers de verrouillage de hauteur.
5. Tournez soigneusement la soupape de déverrouillage dans le sens inverse des aiguilles d'une montre, jusqu'à ce que les leviers de verrouillage de la plateforme de levage engagent les leviers de verrouillage de hauteur, puis fermez la soupape de déverrouillage en tournant complètement dans le sens des aiguilles d'une montre jusqu'à ce qu'une résistance ferme soit ressentie

FUNCIONAMIENTO

6. Fixez la tondeuse en réglant la pause de stationnement, en mettant la transmission dans l'engrenage et en garnissant les roues.

⚠ ATTENTION : effacez tous les outils et le personnel avant de réduire la charge. Seules les pièces jointes et / ou les adaptateurs fournis par le fabricant doivent être utilisés avec cet appareil.

7. Pour abaisser la plate-forme de levage, relâcher le frein de stationnement de la tondeuse, placer la transmission au point mort et retirer les cales avec

PIÈCES DE RECHANGE

Ce ne sont pas toutes les pièces du cric qui peuvent être remplacées, mais elles sont illustrées pour montrer leur emplacement ainsi que leur position pour l'assemblage. Lorsque vous commandez des pièces, fournissez le numéro du modèle, le numéro de la pièce et la description de cette dernière ci-dessous. Pour connaître les prix actuels, appelez-nous ou écrivez-nous : au 1 816 891-6390 par téléphone, au 1 816 891-6599 par télécopieur ou au service à la clientèle à l'adresse Pro-Lift, 10939 N. Pomona Ave., Kansas City, MO 64153, États-Unis.

Modèle T-5335A

Pièce	Numéro de pièce	Description
1	T-5300-1	Cric-bouteille
2	T-5300-2	Pédale
3	T-5300-3	Poignée
4	T-5335A-4	Logement de la roue gauche
5	T-5335A-5	Logement de la roue droite
6	T-5300-6	Ensemble pour roues
7	T-5300-7	Ensemble pour levier de verrouillage de la hauteur
8	N/A	Entailler
-	T-5335A-8	Ensemble de matériel complet (pas montré)

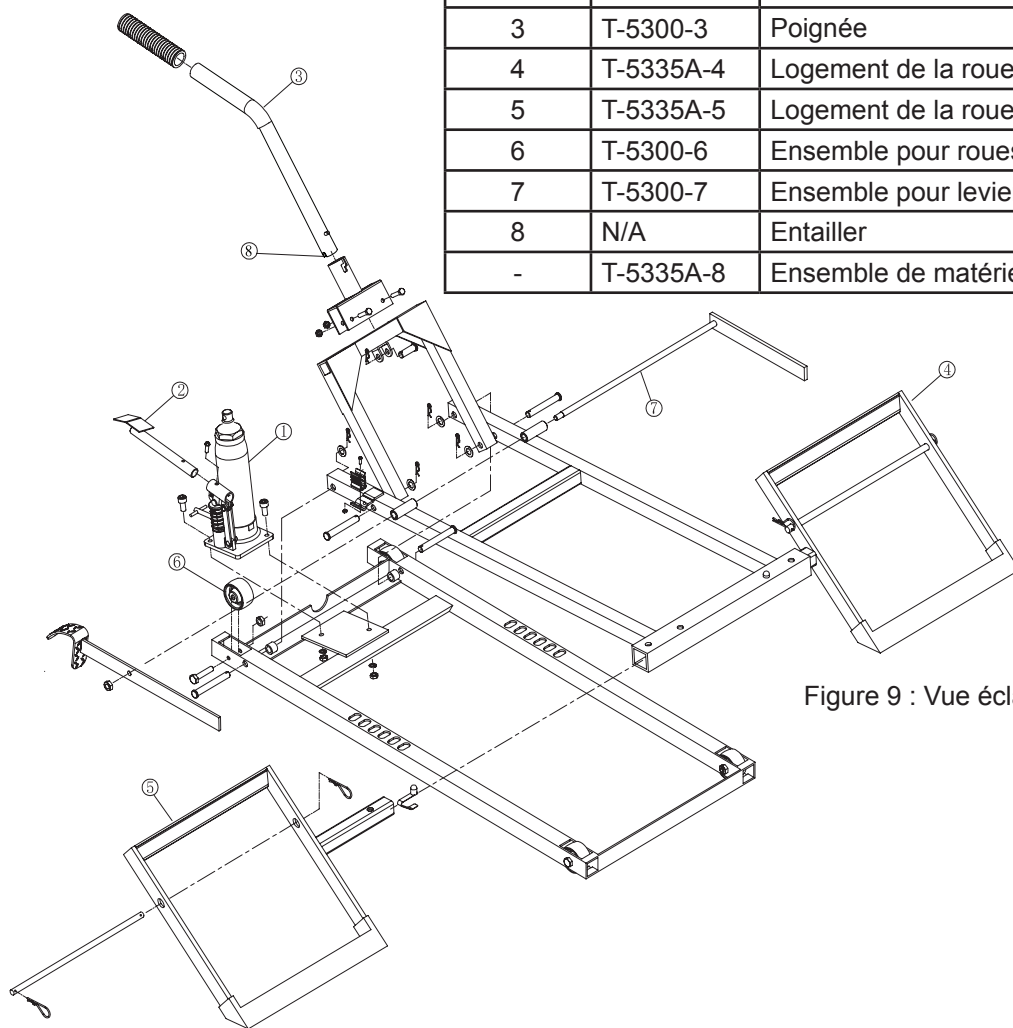


Figure 9 : Vue éclatée des pièces

précaution. Pomper la pédale de levage plusieurs fois pour dégager les leviers de verrouillage de hauteur. Tournez soigneusement la vanne de déverrouillage dans le sens inverse des aiguilles d'une montre, lentement, mais pas plus d'un tour de la position fermée, pour abaisser la charge lentement et en toute sécurité.

⚠ AVERTISSEMENT : La poignée de levage sert à faire fonctionner la soupape de surpression du cric bouteille. Faites preuve de prudence lorsque vous ajustez la soupape de surpression. Levez et abaissez la charge lentement et prudemment.

ENTRETIEN

Gardez le cric de levage propre et bien lubrifié. Appliquez une huile de machine légère sur toutes les jointures si nécessaire. Essuyer soigneusement l'excédent d'huile pour éviter de glisser. Utilisez uniquement de l'huile de cric hydraulique haut de gamme. Évitez de mélanger des huiles différentes et n'utilisez JAMAIS d'huile de frein, de turbine, de transmission, de moteur ou de glycérine. L'utilisation d'une huile non-adéquate peut entraîner une défaillance du cric.

Ajouter de l'huile

1. Pour vérifier le niveau d'huile hydraulique, retirez l'unité hydraulique du cric de levage et placez-la debout sur une surface nivelée et stable. Enlevez le bouchon de remplissage d'huile.
2. L'huile doit être de niveau avec le trou du bouchon de remplissage. Si le niveau est bas, ajoutez UNIQUEMENT de l'huile de cric hydraulique haut de gamme.
3. Remettez le bouchon de remplissage et le cric bouteille en place sur la plateforme ou le cric de levage. Arrimez avec le matériel fourni.

Changer l'huile

Pour une durée de vie la plus longue possible, changez l'huile hydraulique après 7 ans d'utilisation, plus tôt si le cric de levage est utilisé dans un environnement rempli de poussière et de saleté. N'exposez pas le cric à la pluie.

DÉPANNAGE

Problème	Causes possibles	Mesure corrective
L'unité hydraulique ne soulève pas la charge.	<ul style="list-style-type: none">• Soupape de décharge qui n'est pas bien fermée• Surcharge	<ul style="list-style-type: none">• Contactez le service technique Pro-Lift.• Remédiez au problème de surcharge.
L'unité hydraulique fuit après le levage.	<ul style="list-style-type: none">• Surcharge• Défaillance du vérin hydraulique	<ul style="list-style-type: none">• Remédiez au problème de surcharge.• Contactez le service technique Pro-Lift.
Le cric ne s'abaisse pas après avoir déchargé.	<ul style="list-style-type: none">• Trop de liquide hydraulique dans le réservoir• Blocage des articulations	<ul style="list-style-type: none">• Purgez le liquide pour le ramener au bon niveau.• Nettoyez les pièces mobiles et lubrifiez-les.
Performance de levage médiocre	<ul style="list-style-type: none">• Niveau de liquide hydraulique trop bas• Air emprisonné dans le réservoir	<ul style="list-style-type: none">• Assurez-vous que le niveau de liquide est adéquat.• Avec le vérin complètement rétracté, retirez le bouchon de remplissage d'huile pour vider l'excès d'air sous pression. Remettez le bouchon.
Le point d'appui ne s'élève pas au maximum.	<ul style="list-style-type: none">• Niveau de liquide hydraulique trop bas	<ul style="list-style-type: none">• Assurez-vous que le niveau de liquide est adéquat.

Séchez complètement le cric de levage s'il est mouillé. Vérifiez périodiquement le piston de la pompe et le vérin de l'unité hydraulique pour les signes de rouille ou de corrosion. Nettoyez les parties légèrement touchées avec un linge propre imbibé d'huile. N'utilisez jamais de matériau abrasif sur le piston de la pompe et les surfaces du vérin.

1. Retirez l'unité hydraulique du cric de levage. Placez l'unité debout sur une surface stable et nivelée. Enlevez le bouchon de remplissage d'huile et videz l'huile usée dans un récipient adéquat.

AVIS : Jetez le liquide hydraulique usé en respectant la réglementation environnementale locale.

2. Remplissez avec de l'huile de cric hydraulique haut de gamme. Remettez le bouchon de remplissage puis installez le vérin sur le cric.

Nettoyer

Inspectez le piston de la pompe et le vérin de temps à autre pour les signes de rouille ou de corrosion. Nettoyez selon les besoins et essuyez avec un linge huileux.

Ranger

Rangez le cric avec les bras de levage complètement baissés lorsqu'il n'est pas utilisé.

GARANTIE LIMITÉE DE 90 JOURS

Pendant une période de quatre-vingt-dix (90) jours, à partir de la date d'achat, **SFA Companies, Inc.** réparera ou remplacera, à sa discrétion, sans frais, tous ses produits qui, utilisés dans des conditions normales, sont défectueux à cause d'un défaut de matériau ou de fabrication ou ne respectent pas les conditions de toute garantie implicite qui n'est pas exclue par la présente garantie.

Pour bénéficier du service offert par la garantie, il faut retourner le produit couvert par celle-ci, port payé, à **SFA Companies, Inc.**, Warranty Service Department, 10939 N. Pomona Ave., Kansas City, MO 64153, États-Unis.

Sauf dans les cas où les limitations et les exclusions décrites dans ce paragraphe sont spécifiquement interdites par la loi : (1) LE SEUL RECOURS DU CONSOMMATEUR EST DE FAIRE RÉPARER OU REMPLACER LES PRODUITS DÉFECTUEUX COMME DÉCRIT CI-DESSUS, et (2) **SFA Companies, Inc.** NE SERA PAS TENUE RESPONSABLE DES DOMMAGES CONSÉCUTIFS OU INDIRECTS OU DE PERTES QUELCONQUES, et (3) LA DURÉE DE TOUTE GARANTIE IMPLICITE OU EXPRESSE, CE QUI INCLUT SANS LIMITATION LES GARANTIES IMPLICITES DE COMMERCIALITÉ ET D'ADAPTATION À UN USAGE PARTICULIER, SERA LIMITÉE À QUATRE-VINGT-DIX (90) JOURS À PARTIR DE LA DATE D'ACHAT.

Certaines provinces et certains États ne permettent pas de limiter la durée d'une garantie implicite et il est donc possible que la limitation décrite ci-dessus ne s'applique pas. Certaines provinces et certains États ne permettent pas d'exclure ou de limiter les dommages consécutifs ou indirects et il est donc possible que la limitation ou l'exclusion mentionnée ci-dessus ne s'applique pas. Cette garantie vous confère des droits particuliers et il est aussi possible que vous puissiez jouir d'autres droits qui varient d'une province à l'autre et d'un État à l'autre.



SFA Companies
10939 N. Pomona Ave. Kansas City, MO 64153
888-332-6419

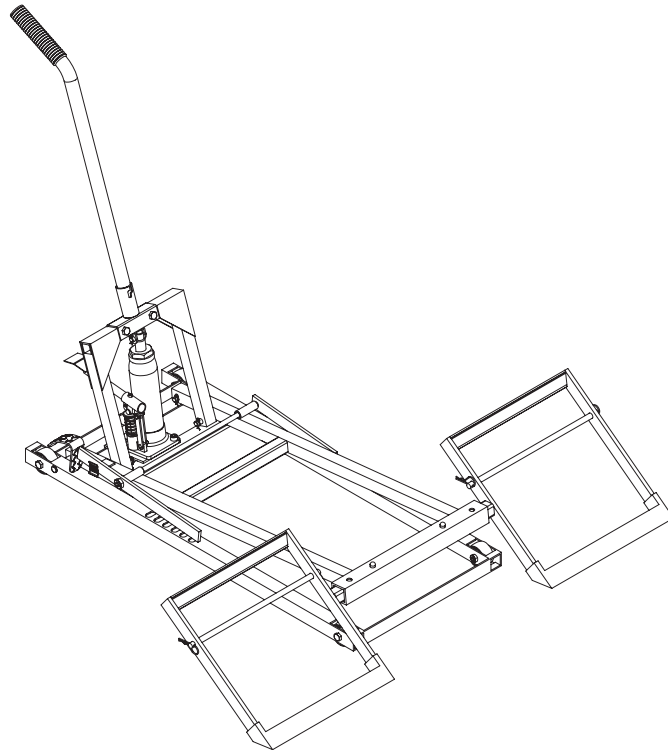


Elevadora para podadoras

Manual de piezas e instrucciones de funcionamiento

Número de modelo
T-5335A

Capacidad
350 libras/159 kg



Patente de EE. UU. N.º D688,022

Patente de EE. UU. N.º 8,608,130 B2

⚠️ ADVERTENCIA

- Lea, comprenda y siga todas las instrucciones que vienen con este dispositivo antes de usarlo.
- Si no se respetan estas indicaciones pueden provocarse lesiones personales o daños a la propiedad.

INFORMACIÓN GENERAL

Conserve estas instrucciones. Para su seguridad, lea, comprenda y siga la información que viene con esta elevadora antes de su uso. El propietario u operador de este equipo debe tener conocimientos sobre esta elevadora y los procedimientos de funcionamiento seguro antes de intentar utilizarla. El propietario y operador deben tener presente que el uso y la reparación de este producto podrían requerir habilidades y conocimientos especiales. Las instrucciones y la información de seguridad deben expresarse en la lengua materna del operador antes de recibir autorización para el uso de esta elevadora. Si tiene dudas sobre el uso seguro y adecuado de esta elevadora, proceda a sacarla de servicio de inmediato.

Inspeccione el dispositivo antes de cada uso. No lo utilice si detecta que está roto, doblado, agrietado o tiene piezas dañadas (incluidas las etiquetas). Debe sacar de servicio en forma inmediata toda elevadora que presente daños, de la naturaleza que fueren, funcione mal o tenga piezas faltantes. Si tiene la sospecha o la certeza de que la elevadora fue sometida a una carga de impacto (una carga arrojada repentina e inesperadamente sobre este), interrumpa su uso de inmediato hasta su revisión por parte de un centro de servicio de fábrica autorizado. Se recomienda realizar una inspección anual a cargo de personal calificado. El fabricante podrá proporcionarle las etiquetas y los manuales del propietario (consulte la sección Piezas de repuesto en la página 17).

DESCRIPCIÓN DEL PRODUCTO

La elevadora para podadoras de Pro-Lift está diseñada específicamente para levantar y soportar el máximo de cargas de capacidad nominal, lo que consiste en un solo tractor podadora cuya estructura sea compatible con las piezas levadizas de la elevadora. Esta elevadora NO es apta para levantar, nivelar ni ubicar automóviles, camiones, vehículos todo terreno o vehículos de transporte que no sean los enumerados y aprobados específicamente en la sección anterior. Esta elevadora NO es apta para levantar, nivelar ni colocar casas, remolques de construcción o viviendas en general. Este producto está diseñado para ensamblarse en forma permanente. La unidad hidráulica no puede usarse en forma independiente de la elevadora.

ESPECIFICACIONES

Medida de la base (L x P)	Superficie de la elevadora	Capacidad	Vía de rueda compatible	Altura de elevación
85 cm x 38,5 cm (33-1/2" x 15-3/16")	Soporte de la rueda	159 kgs (350 libras)	Extensión externa de 40-3/4" a 49-3/8" (104 cm a 125 cm)	58.5 cm (23")

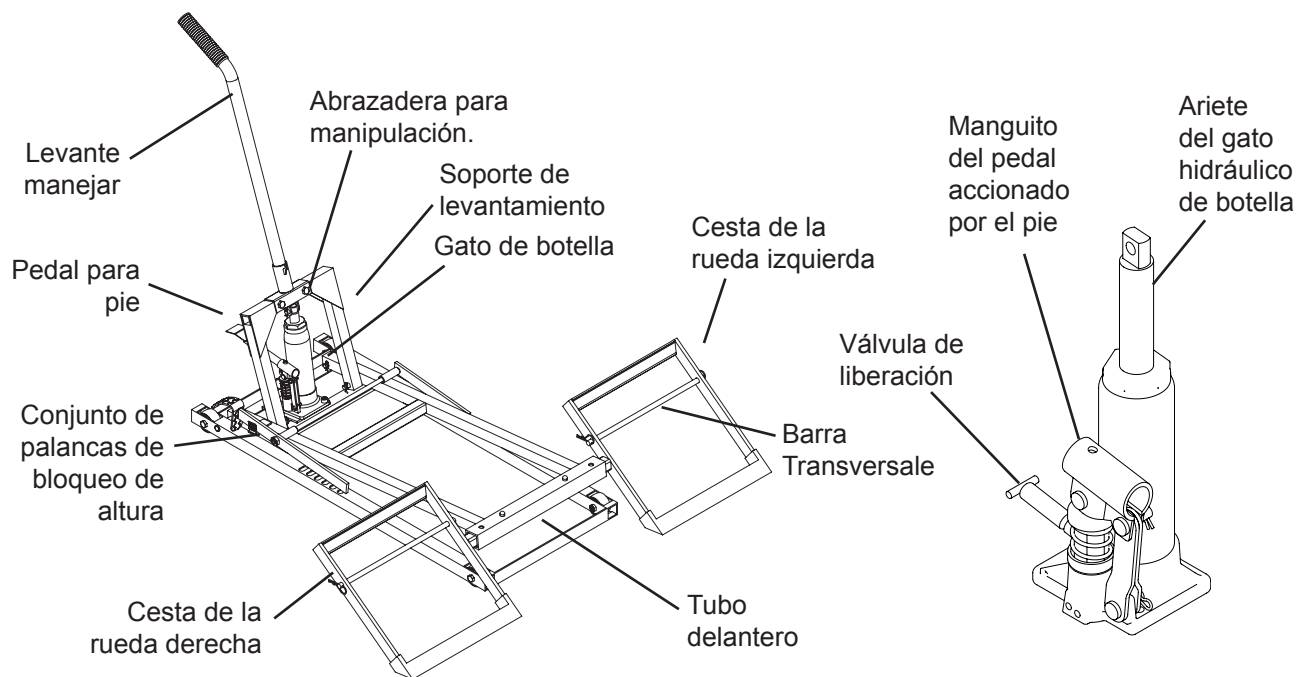


Figura 1: Nomenclatura de la elevadora.

ANTES DEL USO

Inspeccione la elevadora antes de cada uso:

1. Antes de usar este producto, lea todo el manual del propietario; procure familiarizarse en forma completa con el producto y los peligros asociados a su uso indebido.
2. Asegúrese de que los rodillos y los brazos elevadores se muevan libremente. Verifique si hay conjuntos sueltos y ajústelos. No use el equipo si detecta piezas agrietadas, rotas, dobladas o dañadas de algún modo, o si sospecha que la elevadora fue sometida a una carga de impacto. Una carga de impacto se produce cuando se abre y se cierra rápidamente la válvula de liberación con la elevadora está cargada. Dicha maniobra podría provocar una sobrecarga hidráulica capaz de dañar la unidad hidráulica.
3. Verifique que el producto y la aplicación sean compatibles. La incompatibilidad es evidente si la podadora se tambalea, parece inestable o no encaja de manera segura en las cestas de las ruedas de la elevadora. Atar cargas incompatibles no hará que las cargas sean seguras, y esto podría causar una pérdida inesperada de la carga y provocar lesiones personales o daños a la propiedad.
4. El propietario y los operadores de este dispositivo deben saber que no hay piezas de repuesto ni que puedan repararse disponibles para este equipo más allá de las enumeradas en la página 17. Cualquier elevadora que parezca dañada de alguna manera, esté desgastada o funcione mal debe sacarse de servicio hasta que puedan realizarse las reparaciones correspondientes. No intente soldar, remachar ni reparar este dispositivo de forma alguna.
5. NO intente modificar ni alterar este dispositivo. Se recomienda realizar una inspección anual de este dispositivo a cargo de personas calificadas. Asimismo, cualquier etiqueta faltante o dañada, o calcomanía de advertencia/seguridad debe reemplazarse únicamente con piezas autorizadas de fábrica.

ENSAMBLAJE

1. Fije el soporte de levantamiento para elevar los brazos con los pasadores que se proporcionan. Asegure los pasadores con los arandelas et los sujetadores que se proporcionan.

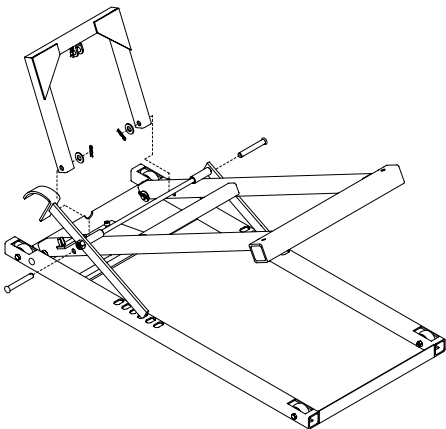


Figura 2: ensamblaje del soporte de levantamiento.

⚠️ ADVERTENCIA

- Estudie, comprenda y siga todas las instrucciones antes de poner en funcionamiento este dispositivo.
- El uso de este producto se limita a levantar, sostener y bajar cargas compuestas por una sola podadora compatible con la plataforma de elevación. La incompatibilidad es evidente si la podadora se tambalea, parece inestable o no encaja de manera segura en las cestas de las ruedas.
- Contener con ataduras una carga incompatible no hará que sea segura y podría provocar una pérdida inesperada de la carga.
- No exceda la capacidad establecida.
- Utilícelo únicamente sobre superficies duras y uniformes capaces de soportar la carga.
- Centre la carga en la plataforma de elevación.
- Inmediatamente después de elevar la carga, verifique que el dispositivo mecánico de sostén de la carga esté enganchado.
- No trabaje nunca sobre, debajo o alrededor de una carga que no esté estable o segura.
- El operador y el transeúnte deben mantener las manos, la cabeza y los pies lejos de los brazos de la elevadora cuando esta esté ascendiendo o descendiendo.
- No deben hacerse modificaciones a este producto.
- Solo deben utilizarse accesorios, ataduras o adaptadores suministrados por el fabricante.
- Si no se respetan estas indicaciones pueden provocarse lesiones personales o daños a la propiedad.

2. Fije el gato hidráulico de botella a la plataforma de recepción usando (2) tornillos cabeza Allen y tuercas M6.

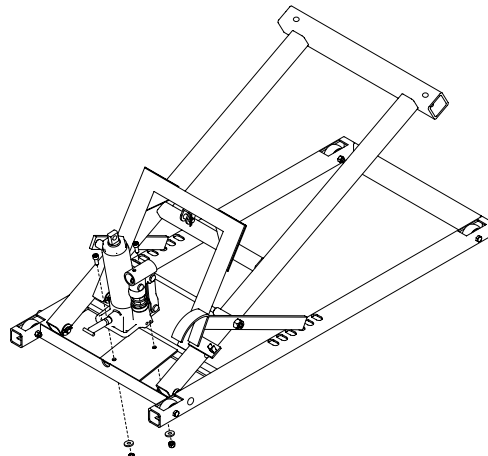


Figura 3: ensamblaje del gato hidráulico de botella en la plataforma.

ENSAMBLAJE

3. Introduzca el pasador del gato hidráulico de botella para conectar el gato al soporte de levantamiento. El gato de la botella necesita ser bombeado hasta el punto que el gato de la botella pueda conectar con el soporte. Asegure con el clip.

NOTA: Si los orificios no están alineados, gire el ariete del gato hidráulico de botella hasta que se alineen.

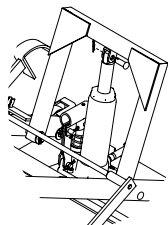


Figura 4: introducción del pasador del gato hidráulico de botella.

4. Instale abrazaderas para ruedas en el tubo delantero hasta que el clip de resorte se coloque en su sitio (se proporcionan 2 posiciones). Realice lo mismo en el otro lado.

⚠ ADVERTENCIA: Coloque ambos soportes en la misma posición del orificio para que la carga sea simétrica, o se pueden producir daños al levantarse, lo que podría causar lesiones.

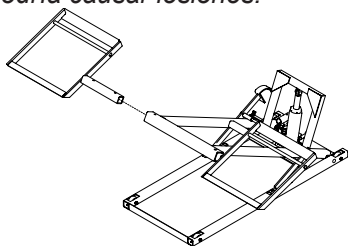


Figura 5: colocación de la abrazadera para ruedas.

5. Instale la abrazadera para manipulación en el soporte de levantamiento con (2) pernos y tuercas M6. Cuando instale el yugo del mango, la ranura debe estar boca arriba.

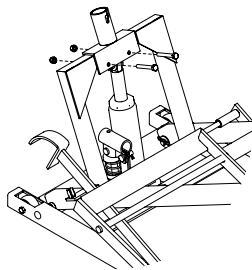


Figura 6: ensamblaje de abrazadera para manipulación.

6. Instale el pedal accionado por el pie en el manguito de este pedal y asegúrelo con tornillos Phillips.

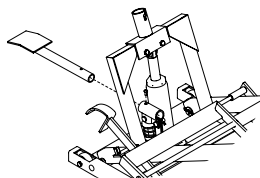


Figura 7: ensamblaje del pedal accionado por el pie.

7. Introduzca la manija y gire para asegurar el pasador en la ranura de la abrazadera.

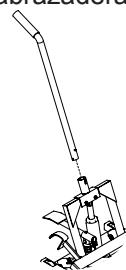


Figura 8: ensamblaje de la manija.

8. Luego del ensamblaje, asegúrese de que la elevadora ascienda y descienda sin obstáculos, que pueda bloquearse y bajarse con facilidad, y que el gato de botella funcione sin dificultades antes de ponerlo en servicio. Familiarícese con el funcionamiento de la palanca de bloqueo de altura y el pedal de la elevadora. Asegúrese de que todas las tuercas y tornillos estén bien asegurados

NOTA: Las cestas de ruedas proporcionadas están diseñadas para ruedas más grandes. También se ha previsto una barra transversal para instalarse dentro de la cesta para alojar neumáticos de menor diámetro. Asegúrese de que su cesta de elevación está configurada de tal manera que el neumático del cortacésped no pueda caer a través de la cesta.

FUNCIONAMIENTO

1. Ajustar las cestas de las ruedas a su posición correcta (Posición 1 o Posición 2).
2. Las barras transversales, situadas en las cestas, han sido incluidas para neumáticos más pequeños. Si sus neumáticos se ajustan firmemente a las cestas con las barras transversales, deje las barras transversales en su lugar. Si no encajan firmemente en las cestas, retire las barras transversales, por lo que los neumáticos se ajustan con mayor seguridad.
3. Conduzca el cortacésped sobre las cestas de ruedas y coloque el neumático del cortacésped de manera segura en las cestas de ruedas centrando la carga en el elevador.
4. Deje la transmisión de la segadora en punto muerto. Utilice el extremo con muescas del mango para enganchar y girar la válvula de liberación en el sentido de las agujas del reloj hasta que se sienta una resistencia firme al giro adicional. (Esta es la posición de la válvula de liberación "Cerrada" usada para elevar el émbolo del émbolo.) Con cuidado, bombee el gato hasta que la segadora alcance la altura deseada. La altura final debe corresponder con los dientes de bloqueo de las palancas de bloqueo de altura.
5. Gire con cuidado la válvula de liberación en el sentido de las manecillas del reloj, lentamente, hasta que las palancas de bloqueo de la plataforma elevadora encajen en las palancas de bloqueo de altura, luego cierre la válvula de liberación girándola completamente en sentido horario hasta que se

sienta la firme resistencia.

FUNCIONAMIENTO

6. Fije la segadora ajustando la rotura de estacionamiento, colocando la transmisión en marcha y calzando las ruedas.

⚠ PRECAUCIÓN: Limpie todas las herramientas y el personal antes de bajar la carga. Sólo se utilizarán con este dispositivo los accesorios y / o adaptadores suministrados por el fabricante.

7. Para bajar la plataforma de elevación, suelte el freno

PIEZAS DE REPUESTO

No todos los componentes de la elevadora tienen reemplazo, pero se ilustran a modo de referencia práctica de la ubicación y la posición que ocupan en la secuencia del conjunto. Cuando realice el pedido de piezas, indique el número de modelo, el número de pieza y la siguiente descripción. Para obtener el precio vigente, comuníquese a: teléfono (816) 891-6390, fax (816) 891-6599, o escriba al Centro de soporte al cliente de Pro-Lift: 10939 N. Pomona Ave., Kansas City, MO 64153.

Modelo T-5335A

Elemento	N.º de parte	Descripción
1	T-5300-1	Gato de botella
2	T-5300-2	Pedal para pie
3	T-5300-3	Levante manejar
4	T-5335A-4	Cesta de la rueda izquierda
5	T-5335A-5	Cesta de la rueda derecha
6	T-5300-6	Conjunto de rodillos
7	T-5300-7	Conjunto de palancas de bloqueo de altura
8	N/A	Muesca
-	T-5335A-8	Kit de hardware (no mostrada)

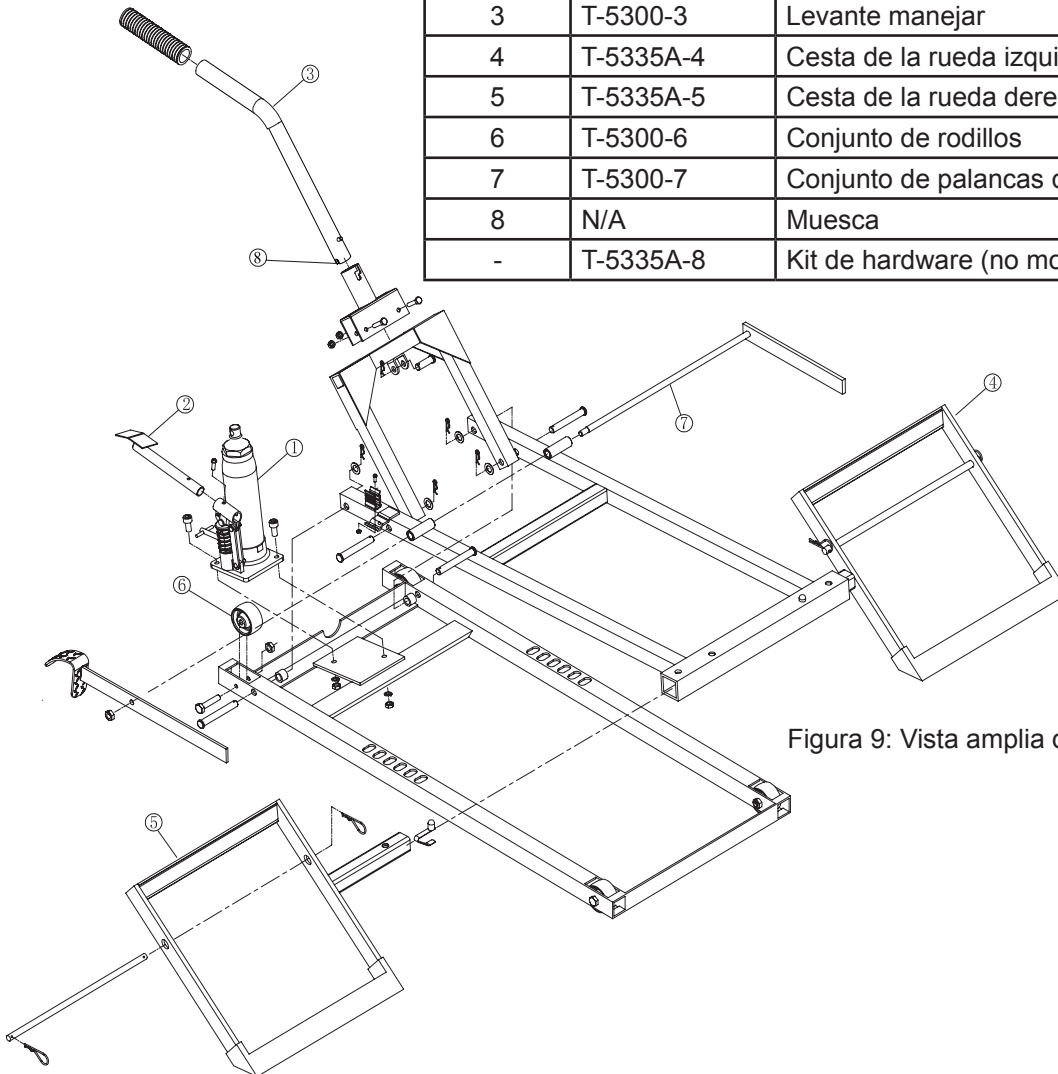


Figura 9: Vista amplia de las piezas.

de estacionamiento del cortacésped, coloque la transmisión en punto muerto y retire los calzos con cuidado. Bombee el pedal de elevación varias veces para desacoplar las palancas de bloqueo de altura. Con cuidado, gire la válvula de liberación en el sentido contrario a las agujas del reloj, lentamente, pero no más de 1 vuelta desde la posición cerrada, para bajar la carga lenta y segura.

⚠ ADVERTENCIA: La manija de la elevadora se usa para poner en funcionamiento la válvula de liberación del gato de botella. Tenga cuidado cuando ajuste la válvula de liberación; suba y descienda la carga en forma lenta y cuidadosa.

MANTENIMIENTO

Mantenga la elevadora limpia y lubricada. Utilice aceite ligero para máquinas en todas las uniones, según sea necesario. Limpie completamente el exceso de aceite para evitar deslizamientos. Use solo aceite hidráulico de calidad. Evite mezclar diferentes tipos de líquidos y NUNCA use líquido de frenos, aceite de turbinas, líquido de transmisión, aceite de motor ni glicerina. El uso de un líquido inadecuado puede provocar fallas en el gato.

Agregado de aceite

1. Para verificar el nivel de aceite hidráulico, retire la unidad de la elevadora y colóquela en posición vertical en una superficie estable y pareja. Retire el tapón de llenado de aceite.
2. El aceite debe estar a nivel con el tapón de llenado. Si el nivel está bajo, agregue SOLO aceite para gato hidráulico de alta calidad.
3. Vuelva a instalar el tapón de llenado y el gato de botella en el receptor de la elevadora. Fíjelos con los accesorios provistos.

Cambio de aceite

Para poder prolongar al máximo la vida útil de la elevadora, cambie el aceite hidráulico luego de 7 años de uso, o antes si usó el dispositivo en un ambiente con

polvillo y arena. No exponga la elevadora a la humedad. Si se moja, séquela en forma completa. Verifique periódicamente el pistón de la bomba y el ariete de la unidad hidráulica para detectar signos de oxidación o corrosión. Limpie las áreas levemente afectadas con un paño limpio con aceite. Nunca use materiales abrasivos en el pistón de la bomba ni en las superficies del ariete.

1. Retire la unidad hidráulica de la elevadora. Coloque la unidad en posición vertical en una superficie estable y pareja. Retire el tapón de llenado de aceite y descargue el aceite usado en un recipiente adecuado.

AVISO: Deseche el líquido hidráulico usado conforme a las reglamentaciones ambientales locales.

2. Llene con aceite para gato hidráulico de alta calidad. Vuelva a instalar el tapón de llenado y, a continuación, vuelva a instalar el gato en la elevadora.

Limpieza

Verifique ocasionalmente el pistón y el ariete de la bomba en busca de signos de oxidación o corrosión. Límpielos con un paño con aceite, según sea necesario.

Almacenamiento

Cuando la elevadora no está en uso, el brazo elevador debe estar en posición de retracción completa.

LOCALIZACIÓN Y SOLUCIÓN DE AVERÍAS

Síntoma	Causas posibles	Medidas correctivas
La unidad hidráulica no levanta la carga.	<ul style="list-style-type: none"> • La válvula de liberación no está herméticamente cerrada. • Hay un estado de sobrecarga 	<ul style="list-style-type: none"> • Comuníquese con el Centro de soporte al cliente de Pro-Lift. • Solucione el estado de sobrecarga.
La unidad hidráulica se purga luego de una elevación.	<ul style="list-style-type: none"> • Hay un estado de sobrecarga • La unidad hidráulica no funciona correctamente. 	<ul style="list-style-type: none"> • Solucione el estado de sobrecarga. • Comuníquese con el Centro de soporte al cliente de Pro-Lift.
La elevadora no baja después de su descarga.	<ul style="list-style-type: none"> • El depósito está lleno en exceso. • Los enlaces están atascados. 	<ul style="list-style-type: none"> • Descargue el líquido hasta el nivel adecuado. • Limpie y lubrique las piezas móviles.
La capacidad de elevación es deficiente.	<ul style="list-style-type: none"> • El nivel de líquido está bajo. • Hay aire atrapado en el sistema. 	<ul style="list-style-type: none"> • Asegúrese de que el nivel de líquido sea el adecuado. • Una vez que el ariete esté completamente contraído, quite el tapón del llenado de aceite para permitir la salida del aire presurizado; luego, vuelva a instalar el tapón de llenado de aceite.
La elevadora no se eleva al máximo de su capacidad.	<ul style="list-style-type: none"> • El nivel de líquido está bajo. 	<ul style="list-style-type: none"> • Asegúrese de que el nivel de líquido sea el adecuado.

GARANTÍA LIMITADA DE 90 DÍAS

Por el período de noventa (90) días desde la fecha de compra, **SFA Companies, Inc.** reparará o reemplazará, a su discreción, sin costo alguno, cualquier producto que presente fallas debido a defectos de materiales o mano de obra, o que no cumpla con la garantía implícita no excluida en el presente documento.

El cumplimiento de toda obligación en virtud de esta garantía puede obtenerse con el envío del producto en garantía, con flete abonado en origen, a **SFA Companies, Inc. Warranty Service Department**, 10939 N. Pomona Ave., Kansas City, MO 64153.

Salvo que tales limitaciones y exclusiones estén específicamente prohibidas por las leyes vigentes, (1) el ÚNICO Y EXCLUSIVO RECURSO DEL CONSUMIDOR SERÁ LA REPARACIÓN O EL REEMPLAZO DE LOS PRODUCTOS DEFECTUOSOS, COMO SE DETALLA ARRIBA; (2) **SFA Companies, Inc.** NO SERÁ RESPONSABLE, EN NINGÚN CASO, POR DAÑOS O PÉRDIDAS EMERGENTES O INCIDENTALES; y (3) LA DURACIÓN DE TODA GARANTÍA IMPLÍCITA Y EXPLÍCITA, LO QUE INCLUYE, ENTRE OTRAS, LAS GARANTÍAS DE COMERCIALIZACIÓN Y APTITUD PARA FINES ESPECÍFICOS, ESTARÁ LIMITADA A UN PERÍODO DE NOVENTA (90) DÍAS DESDE LA FECHA DE COMPRA.

Algunos estados no permiten la limitación de la duración de las garantías implícitas, por lo que las limitaciones anteriores pueden no aplicarse en su caso. Algunos estados no permiten excluir o limitar los daños emergentes o incidentales, por lo tanto esta limitación o exclusión puede no ser aplicable en su caso. Esta garantía le otorga derechos legales específicos. Usted puede tener además otros derechos que varían de un estado a otro.



SFA Companies
10939 N. Pomona Ave. Kansas City, MO 64153
888-332-6419