




PROPANE TANK TOP HEATER

User's Manual & Operating Instructions

Model Numbers PT-16-TTC / PT-32-TTC / PT-47-TTC



 **FOR OUTDOOR USE. INDOOR USE PERMITTED ONLY FOR:**
The temporary heating of adequately ventilated buildings or structures under construction, alteration or repair.



Factory ID: 522

CONSUMER: READ AND SAVE THESE INSTRUCTIONS

▲ DANGER GENERAL HAZARD WARNING:

FAILURE TO COMPLY WITH THE PRECAUTIONS AND INSTRUCTIONS PROVIDED WITH THIS HEATER, CAN RESULT IN DEATH, SERIOUS BODILY INJURY AND PROPERTY LOSS OR DAMAGE FROM HAZARDS OF FIRE, EXPLOSION, BURN, ASPHYXIATION, CARBON MONOXIDE POISONING AND / OR ELECTRIC SHOCK.

ONLY PERSONS WHO CAN UNDERSTAND AND FOLLOW THE INSTRUCTIONS SHOULD USE OR SERVICE THIS HEATER.

IF YOU NEED ASSISTANCE OR HEATER INFORMATION SUCH AS AN INSTRUCTIONS MANUAL, LABEL, ETC. CONTACT THE MANUFACTURER.

▲ WARNING FIRE, BURN, INHALATION, AND EXPLOSION HAZARD. KEEP SOLID COMBUSTIBLES, SUCH AS BUILDING MATERIALS, PAPER OR CARDBOARD, A SAFE DISTANCE AWAY FROM THE HEATER AS RECOMMENDED BY THESE INSTRUCTIONS. NEVER USE THE HEATER IN SPACES WHICH DO OR MAY CONTAIN VOLATILE OR AIRBORNE COMBUSTIBLES, OR PRODUCTS SUCH AS GASOLINE, SOLVENTS, PAINT THINNERS, DUST PARTICLES OR UNKNOWN CHEMICALS.



1 Industrial Blvd #101, Sauk Rapids, MN 56379 USA • Toll Free (800) 779-3267
Fax: 320-251-2922 • Web: www.protemp.us • Email: info@pinnacleclimate.com



NEVER LEAVE HEATER UNATTENDED WHILE BURNING OR WHILE CONNECTED TO A FUEL SOURCE

Table Of Contents

Safety Information.....	1-3	Maintenance and Storage.....	10
Features and Specifications.....	4-5	Troubleshooting Guide.....	11
Assembly.....	6-7	Exploded View.....	12
Operation.....	8-10	Parts List.....	13
Ventilation.....	9	Warranty.....	14

Safety Information

▲ WARNING NOT FOR HOME OR RECREATIONAL VEHICLE USE.

▲ DANGER **Carbon Monoxide Hazard** This heater produces carbon monoxide, which has no odor. Burning the heater in an enclosed space can kill you. Never use the heater in enclosed spaces such as a tent, a camper, any vehicle or recreational vehicle (RV), enclosed shelter, or any other enclosed areas.

▲ DANGER If the information in this manual is not followed exactly, a fire or explosion may result causing property damage, personal injury or loss of life.

▲ DANGER Not for use in residential living areas or in non-adequately ventilated enclosed spaces. Never bring or store a propane cylinder indoors.

▲ WARNING **FOR OUTDOOR USE. INDOOR USE PERMITTED ONLY FOR:** The temporary heating of adequately ventilated buildings or structures under construction, alteration or repair.

▲ WARNING **DO NOT OPERATE THIS HEATER UNTIL YOU HAVE READ AND THOROUGHLY UNDERSTAND THESE SAFETY AND OPERATING INSTRUCTIONS.**
Failure to comply with the precautions and instructions provided with this heater can result in death, serious bodily injury, property loss or damage from the hazards of fire, explosions, burns, asphyxiation or carbon monoxide poisoning. Only persons who can read and understand these instructions should use or service this heater.

▲ WARNING This is an unvented portable heater. It uses air (oxygen) from the area in which it is used. Adequate combustion and ventilation air must be provided. Refer to VENTILATION on Page 6.

▲ WARNING **CALIFORNIA RESIDENTS:** This product contains chemicals, including lead, known to the State of California to cause birth defects or other reproductive harm.
Wash hands after handling.

This heater is designed and approved for use as a construction heater in accordance with Standard ANSI Z83.7-2011/CSA 2.14-2011. CHECK WITH YOUR LOCAL FIRE SAFETY AUTHORITY IF YOU HAVE ANY QUESTIONS ABOUT APPLICATIONS. Other standards govern the use of fuel gasses and heating products for specific uses. Your local authority can advise you about these.



NEVER LEAVE HEATER UNATTENDED WHILE BURNING OR WHILE CONNECTED TO A FUEL SOURCE

Safety Information

▲ WARNING RISK OF INDOOR AIR POLLUTION!

The products described in this manual are propane direct-fired heaters. Direct-fired means that all of the combustion products of the heater enter the heated space. This appliance is rated at 98% combustion efficiency, but does produce small amounts of carbon monoxide.

▲ DANGER CARBON MONOXIDE POISONING MAY LEAD TO DEATH!

Carbon monoxide is toxic. Humans can tolerate only small amounts of carbon monoxide and so precautions should be taken to provide proper ventilation. Failure to provide proper ventilation in accordance with the instructions in this manual can result in death.

People with breathing problems should consult a physician before using this heater.

Early signs of carbon monoxide poisoning resemble the flu. Symptoms of improper ventilation / carbon monoxide poisoning are:

**Headache • Dizziness • Nausea • Dry Mouth
Sore Throat • Burning of Nose and Eyes**

If you experience any of these symptoms: **GET FRESH AIR AT ONCE!** Have your heater serviced and check for proper ventilation. Some people are more affected by carbon monoxide than others. These include: pregnant women, those with heart or lung problems, anemia or those under the influence of alcohol or at high altitudes.

FOR OUTDOOR USE. INDOOR USE PERMITTED ONLY FOR: The temporary heating of adequately ventilated buildings or structures under construction, alteration or repair! Provide at least a three square foot (2,800 sq cm) opening of outside air for every 100,000 Btu / Hr heater rating. Refer to "Ventilation" on page 9 for further instructions.

▲ DANGER PROPANE IS AN EXPLOSIVE GAS!

WHAT TO DO IF THE SMELL OF GAS IS PRESENT:

- **DO NOT attempt to light the heater.**
- **Extinguish any open flame.**
- **Shut off gas to heater.**
- **If odor continues, contact your local gas supplier or fire department.**
- **DO NOT touch or use any electric switch or any electric device that can cause a spark.**
- **Immediately call your gas supplier from a neighbors phone. Follow the gas suppliers instructions.**
- **If you can not reach your gas supplier, call the fire department.**
- **Service must be done by a qualified service agency.**

▲ WARNING RISK OF BURNS, FIRE AND EXPLOSION!

- NEVER store or use gasoline or other flammable vapors and liquids in the vicinity of this heater.
- NEVER store a propane (LP) cylinder not connected to this heater in the vicinity of this heater.
- NEVER connect heater to an unregulated gas supply.
- NEVER obstruct the flow of combustion and ventilation air. (The front and rear of heater).
- NEVER use duct work in front or rear of heater.
- NEVER modify this heater or operate a heater that has been modified.
- NEVER service, move or handle heater while still hot or operating
- NEVER use heater in occupied dwellings.
- NEVER use heater in a tent.



NEVER LEAVE HEATER UNATTENDED WHILE BURNING OR WHILE CONNECTED TO A FUEL SOURCE

Safety Information

▲WARNING CAUTION! HOT WHILE IN OPERATION. DO NOT TOUCH. KEEP CHILDREN, ANIMALS, CLOTHING AND COMBUSTIBLES AWAY FROM HEATER.

▲WARNING The hose assembly shall be protected from traffic, building material and contact with hot surfaces both during use and while in storage.

Keep all combustible materials away from this heater.

Minimum Clearance From Combustibles			
Sides	Top	Front	Rear
36 in.	60 in.	60 in.	36 in.

ALWAYS install the heater so that it is not directly exposed to water spray, rain, dripping water, or wind. ALWAYS provide adequate clearance for accessibility, combustion and ventilation (air supply) while heater is operating.

▲WARNING For use with propane (LP) gas only.

▲WARNING DO NOT use any LP cylinder larger than 20 lbs.

- Use heater in accordance with all local codes. In the absence of local codes, refer to The National Fuel Code, ANSI Z223.1.
- **This heater is shipped from the factory for use with propane (LP) gas only.** Do not convert to any other gas. Installation must conform to local codes, or in their absence, with the standard for the Storage and Handling of Liquefied Petroleum Gases ANSI/NFPA 58 and the Natural Gas and Propane Installation Code CSA B149.1.

- Gas supply connections should be checked by using a 50/50 soap and water solution. Never use a flame to check for gas leaks.
- Do not direct heater discharge towards the LP cylinder unless it is at least 20 feet from the heater.
- Use only the regulator and hose assembly provided with this heater. Inspect the regulator/hose assembly prior to each use of the heater. If there is excessive abrasion or wear, or if the hose is cut, replace it with the proper assembly shown in the parts list, prior to using the heater.

Minimum and Maximum Inlet Pressure			
	PT-16-TTC	PT-32-TTC	PT-47-TTC
Min.	5 PSI		
Max.	200 PSI		

▲WARNING RISK OF FIRE! ALWAYS ATTACH THE HEATER IN AN UPRIGHT VERTICAL POSITION. ALWAYS LOCATE HEATER ON A STABLE AND LEVEL SURFACE!



**NEVER LEAVE HEATER UNATTENDED
WHILE BURNING OR WHILE CONNECTED
TO A FUEL SOURCE**

Specifications

Model #	PT-16-TTC	PT-32-TTC	PT-47-TTC
BTU	12 / 14 / 16,000	25 / 28 / 32,000	36 / 40 / 47,000
Fuel Consumption (Lbs./hr)	.56 / .65 / .74	1.16 / 1.30 / 1.49	1.67 / 1.86 / 2.18
Maximum Operating Hours	35.9 / 30.8 / 27.0	17.2 / 15.4 / 13.4	12.0 / 10.8 / 9.2
Required Cylinder Lbs.	20	20	20
Fuel Type	Propane	Propane	Propane
Heating Area (Ft. ²)	300 / 350 / 400	620 / 700 / 800	900 / 1000 / 1175

Specifications subject to change without notice.

Features PT-16-TTC

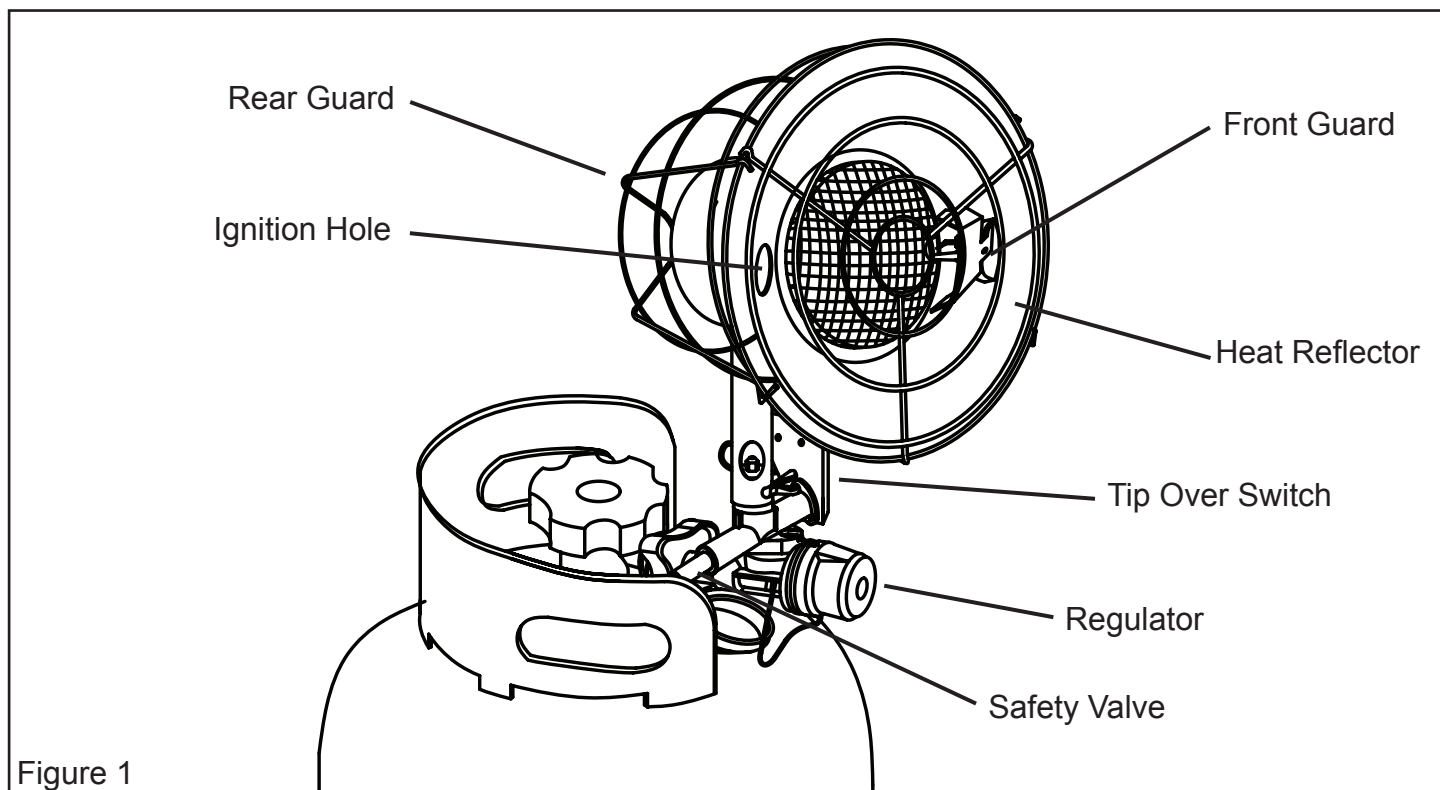


Figure 1

Missing Parts? Please Call 800-779-3267 For Assistance

Features PT-32-TTC

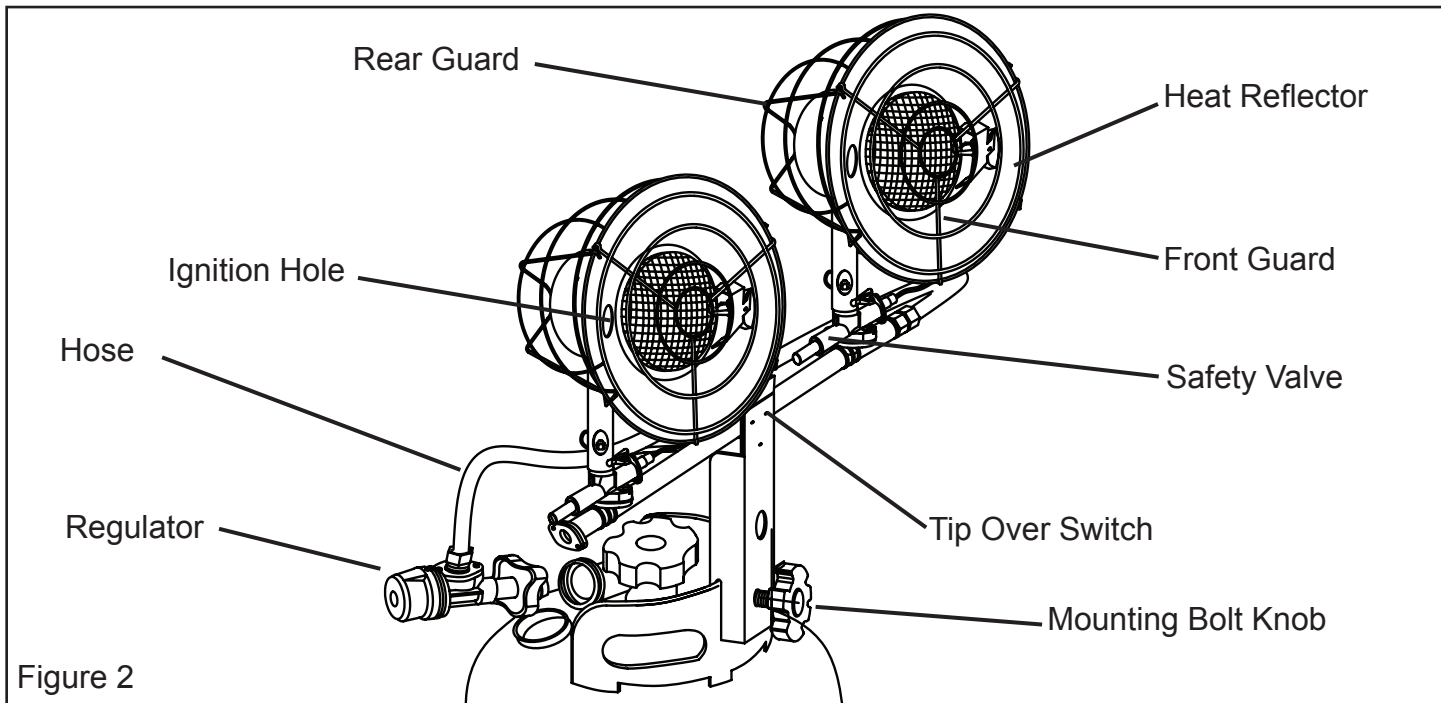


Figure 2

Features PT-47-TTC

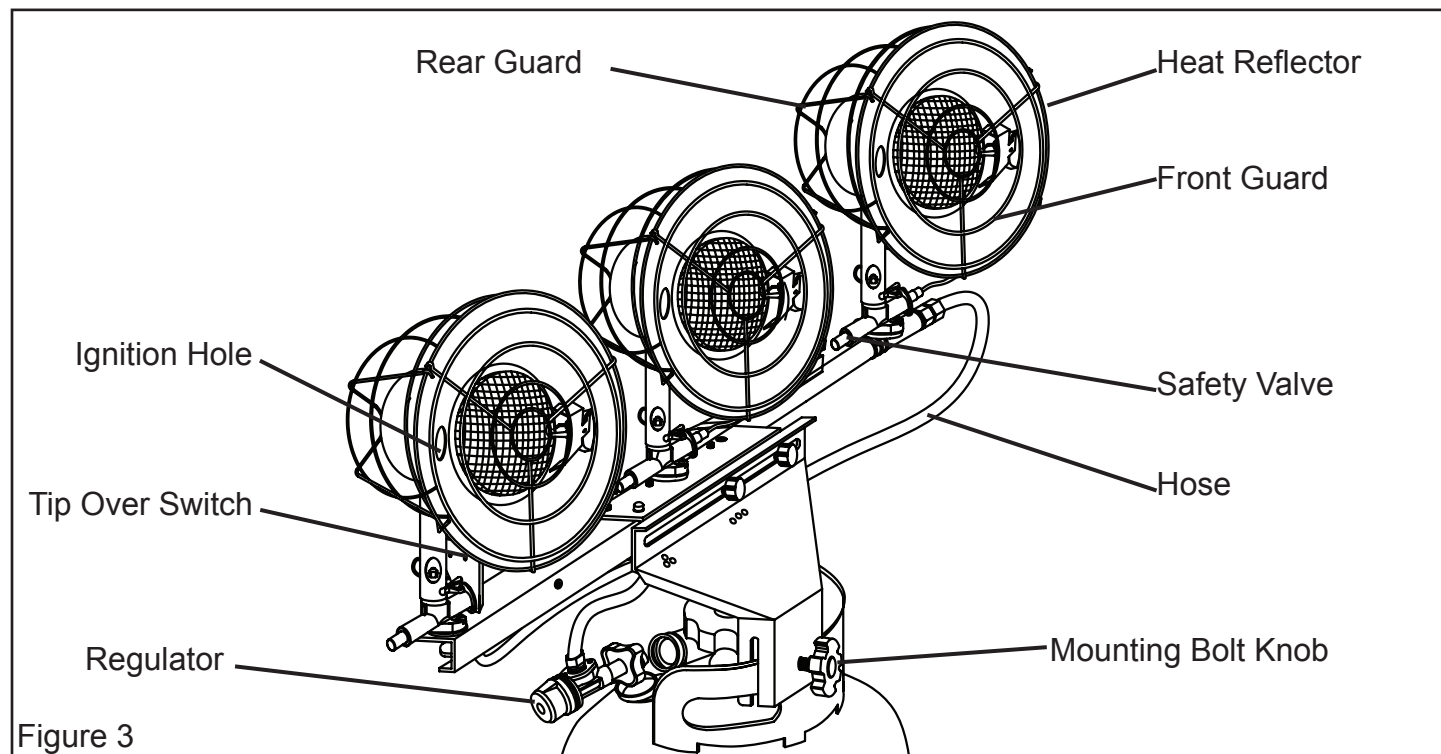


Figure 3



**NEVER LEAVE HEATER UNATTENDED
WHILE BURNING OR WHILE CONNECTED
TO A FUEL SOURCE**

Assembly

Model PT-32-TTC:

Tools Needed:

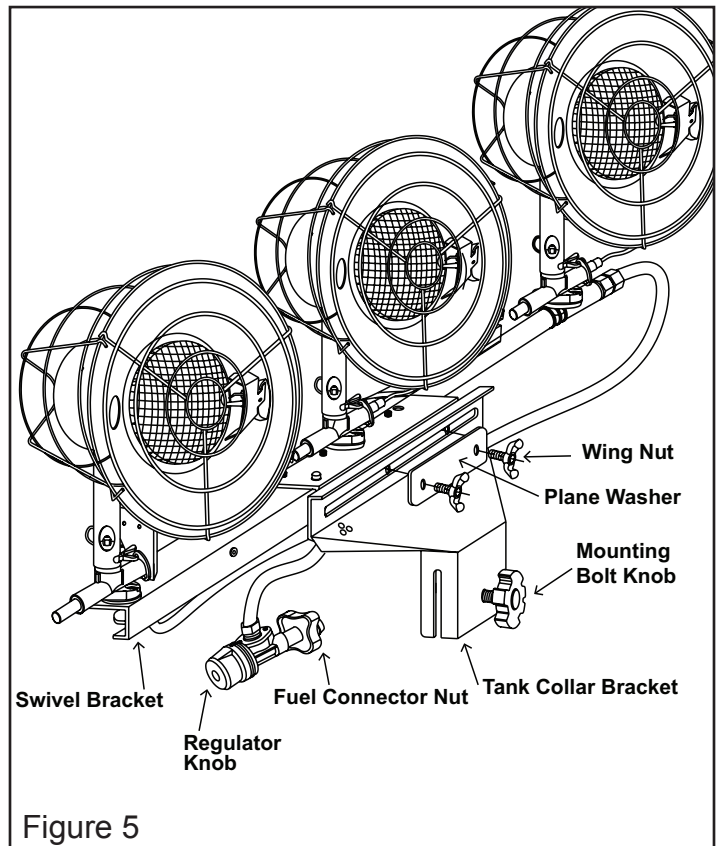
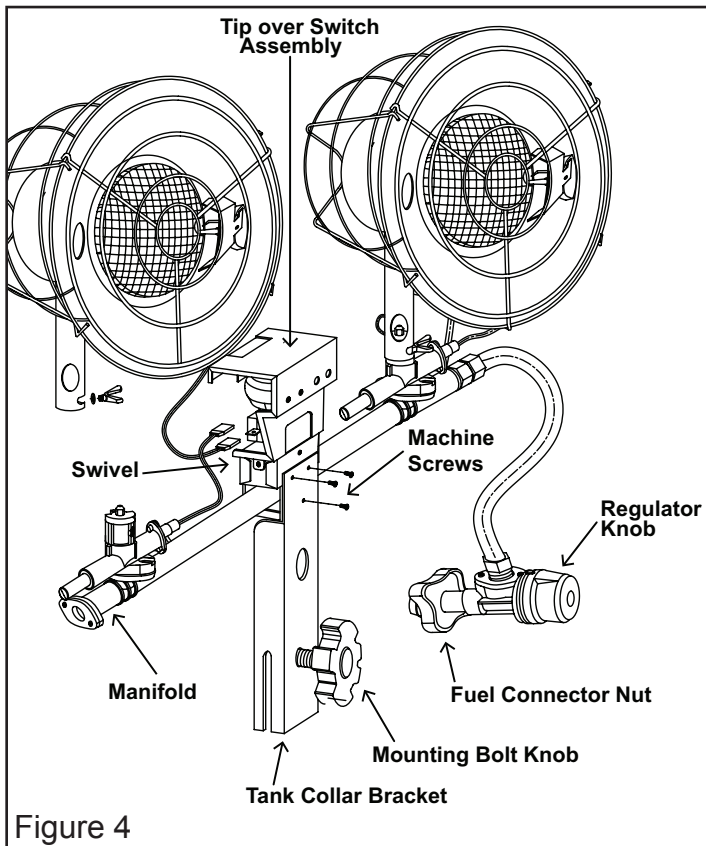
- Medium Phillips head screwdriver.
1. Place the tank collar bracket on top of the center plate. Be sure the mounting bolt knob is on bottom as shown in Figure 4
 2. Insert machine screw into top hole using Phillips head screwdriver.
 3. Insert 2nd machine screw into bottom hole. This will secure the tank collar bracket to the center plate.

Model PT-47-TTC:

Tools Needed:

- Medium Phillips head screwdriver.
1. Insert the mounting bolt knob into the tank collar bracket.
 2. Place tank collar bracket on the swivel bracket.
 3. Place the plane washer on the tank collar bracket and then insert the support bolt. (See Figure 5)
 4. See Figure 6 on page 7 for determining burner position options.

▲ WARNING DO NOT adjust burner heads while heater is operating.



Missing Parts? Please Call 800-779-3267 For Assistance

Assembly

PT-47-TTC (Continued):

- To have all 3 burners face front, the plane washer should be to the right side of tank collar bracket. (See Figure 6)
- To have far left burner face back, the plane washer should be to the left side of tank collar bracket. (See Figure 6)

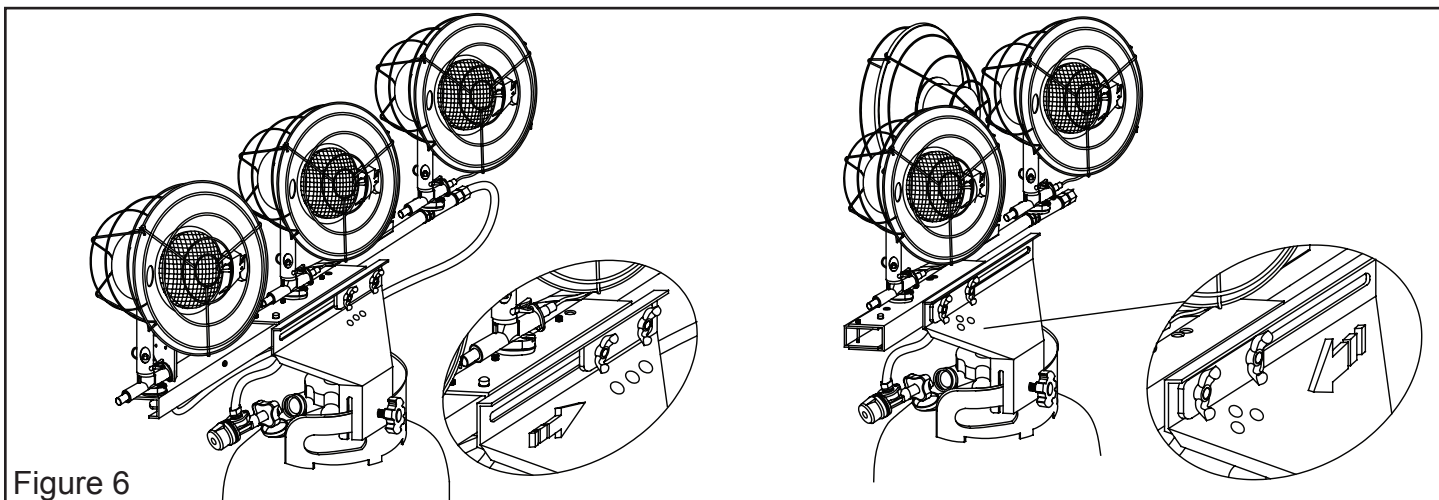


Figure 6

Connecting Heater to LP Cylinder:

Be sure to read and understand all of the Safety Information in this manual before connecting the heater to the LP cylinder. Installation must conform to local codes and with the Standard for the Storage and Handling of Liquefied Petroleum Gasses and ANSI/NFPA 58.

Inspect the hose and regulator prior to each use of the heater. If there is excessive abrasion or wear, or if the hose is cut, replace it with the proper assembly shown in the parts list prior to using the heater.

Model PT-16-TTC:

1. Be sure that the control knob on the regulator is in the "OFF" position.
2. Line up the threads on the fuel connector nut with the threads on the LP cylinder valve. Turn fuel connector nut COUNTERCLOCKWISE to tighten. Fully tighten the nut, being careful not to over tighten.
3. Slowly open the LP cylinder valve.

Models PT-32-TTC / PT-47-TTC:

1. Be sure that the control knob on the regulator is in the "OFF" position.
2. Line up the slots in the tank collar bracket with the tank collar ring and slide into place. Be sure the mounting knob is to the outside, and tighten.
3. Line up the threads on the fuel connector nut with the threads on the LP cylinder valve. Turn fuel connector nut COUNTERCLOCKWISE to tighten. Fully tighten the nut, being careful not to over tighten.
4. Slowly open the LP cylinder valve.

Check all connections for leaks using a 50/50 mixture of dish-soap and water. Any bubbles that appear show a leak. Remove and reconnect the Connector Nut to the valve.

▲ WARNING DO NOT direct the heater discharge towards any propane cylinder located within 20 feet of the heater.



NEVER LEAVE HEATER UNATTENDED WHILE BURNING OR WHILE CONNECTED TO A FUEL SOURCE

Operation

Propane Supply / Information:

Propane (LP)

This heater is not supplied with a propane cylinder. Use only an approved propane cylinder.

LP Characteristics

- Flammable, explosive under pressure, heavier than air and pools in low areas.
 - In its natural state, propane has no odor, but for your safety an odor that smells like rotten cabbage has been added.
 - Contact of propane (LP) gas with the skin can cause freeze burns.
 - Heater is manufactured for use with propane gas only. DO NOT attempt to convert to any other gas. Such modifications are dangerous and will void the warranty.
 - When heater is not in use, LP Cylinder must be turned OFF.
 - Be sure that the LP Cylinder is located on a level and stable surface.
 - DO NOT use this heater in a basement or below ground level. Propane is heavier than air and will always seek the lowest level. If you suspect a leak, shut off the valve at the LP Cylinder immediately.
- **The amount of Propane (LP) used with this heater varies. Both factors are**
 - The amount of gas in the cylinder of LP.
 - The temperature of the LP tank and its surroundings.

▲ CAUTION Propane is safe to use when properly handled. Careless handling of the LP cylinder could result in a fire and or an explosion.

- Always keep LP cylinder fastened and upright.
- Avoid tipping the LP cylinder on its side when connected to a regulator, since this may cause damage to diaphragm in the regulator.
- Handle valves with care.
- Never connect an unregulated LP cylinder to a construction heater.
- DO NOT subject LP cylinder to excessive heat.
- Tightly close the gas shutoff valve on the LP cylinder after each use.
- All fittings must be protected when disconnected from the LP cylinder.
- Never store an LP cylinder inside a building or in the vicinity of a gas burning appliances.

The Propane (LP) cylinder must also be equipped with the following

- A collar to protect the gas valve.
- A shut-off valve terminating a LP cylinder valve outlet as specified in the American National Standard for Compressed Gas Cylinder Valve Outlets and Inlets Connections.
- A safety relief valve having direct communications with the vapor space of the LP cylinder.
- The heater must operate on vapor withdrawal from the operating cylinder.

▲ CAUTION The disconnected tank must never be stored in a building, garage or any other enclosed area.



NEVER LEAVE HEATER UNATTENDED WHILE BURNING OR WHILE CONNECTED TO A FUEL SOURCE

Operation

Lighting Instructions:

Models PT-16-TTC / PT-32-TTC / PT-47-TTC

▲WARNING Be sure to read and understand all of the Safety Information in this manual before lighting this heater.

▲CAUTION Heater has high surface temperatures. Be sure to keep children, pets and clothing away from the heater. Be sure to keep burner and heater regulator clean and free from any debris. Maintain safe distances from heater as shown on Page 3.

▲DANGER CARBON MONOXIDE POISONING MAY LEAD TO DEATH!

Ventilation

- Risk of indoor air pollution and Carbon Monoxide Poisoning.
- Refer to Safety Information on pages 1-3 for information about Carbon Monoxide Poisoning.
- **ALWAYS** provide a fresh air opening in the heated space of at least three square feet (2,800 sq. cm) for each 100,000 BTU / Hr. of heater output. Provide a larger opening if more heaters are being used.

Minimum Ventilation Opening Needed		
PT-16-TTC	PT-32-TTC	PT-47-TTC
0.5 ft. ²	1.0 ft. ²	1.4 ft. ²
460 cm ²	920 cm ²	1300 cm ²

▲WARNING NEVER look over the top of the heater (reflector). There is a potential for a small flash of flame during ignition that can cause serious bodily injury. ALWAYS stand to the side or rear of the heater during ignition. DO NOT allow any body part to touch the heater or be in front of the heater during ignition.

1. STOP! Be sure to read all of the Safety Information (See pages 1-3).
 - **ALWAYS** Stand to the side or rear of the heater.
 - **ALWAYS** keep face and other body parts away from the heater.
2. Check that the valve and propane cylinder is open.
3. Turn the heater regulator knob CLOCKWISE to the ● (OFF) position.
4. Wait five (5) minutes for any gas to clear. Smell for gas around the heater, including near the floor. If you do smell gas STOP! Follow the safety instructions and check leaks. If there is no gas smell proceed to the next step.

▲WARNING NEVER use a flame to check for leaks!

5. Turn the regulator knob COUNTERCLOCKWISE to the “HI” position.
6. Insert a lit match into the ignition hole in the reflector. (See Figure 7)
7. Press the safety shut-off valve plunger for five (5) seconds.
8. Mesh burner will light and glow red. (Continued on Page 10)

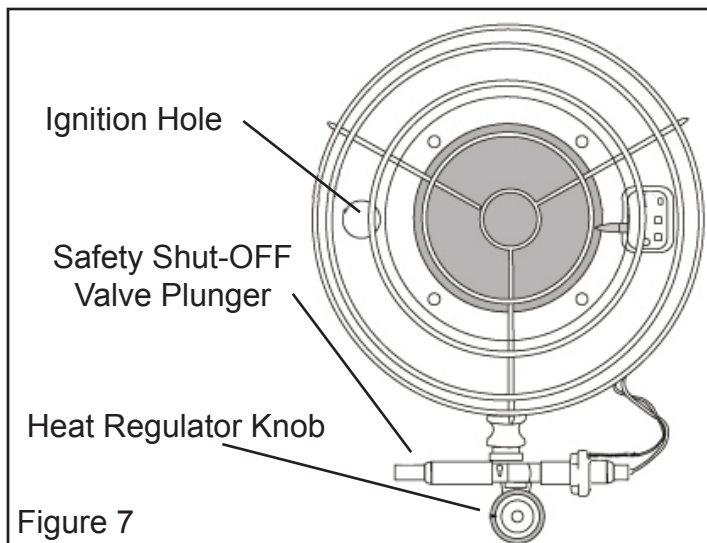


Figure 7



NEVER LEAVE HEATER UNATTENDED WHILE BURNING OR WHILE CONNECTED TO A FUEL SOURCE

Operation

Lighting Instructions

Models PT-16-TTC / PT-32-TTC / PT-47-TTC (CONT)

9. Once lit, keep the plunger depressed for thirty (30) seconds. Then release the plunger, and if the burner stays lit, remove and extinguish the match. You will know that the burner is lit when the mesh screen begins to glow red.
10. If the burner does not stay lit, repeat the lighting process. If the heater does not light after several attempts, be sure you are getting fuel to the burner. The faint smell of gas will tell you if the fuel is flowing. If not, there may be a problem with your LP cylinder. Take it back to your local dealer for replacement.
11. Once the burner is lit, turn Regulator Control Knob to desired setting ● (HI) / ● (MED) / ● (LO).
12. Light all burners when maximum heat is desired. Follow Lighting Instructions steps 1-11. The second and third burner should be lit separately. Do Not Attempt to light second burner off the first burner. Be sure NOT to point burners at one another.

To Turn Off Heater

1. Turn the valve on the LP cylinder CLOCKWISE to stop the flow of fuel.
2. Turn the heater regulator knob to the ● (OFF) position and wait at least fifteen (15) minutes for the heater to cool.
3. Tightly close the gas shutoff valve on the LP cylinder after each use.
4. Remove the heater from the LP cylinder by reversing the steps in **Connecting Heater to LP Cylinder** on Page 7. **DO NOT store the LP cylinder with the heater still attached or in an enclosed area.**

NOTE: ALWAYS INSPECT HEATER BEFORE USE AND AT LEAST ANNUALLY BY A QUALIFIED SERVICE PERSON.

▲ DANGER EXTREMELY HOT during operation. Do Not touch any metal components while in operation. Keep gasoline and any other flammable liquids away from the heater.

▲ DANGER Never bring or store a propane cylinder indoors.

▲ CAUTION DO NOT insert the lit match into the air inlet holes in the mixing tube.

Maintenance and Storage

1. Inspect your heater before each use. Check all connections for leaks, following the procedure outlined on Pages 7 and 8. Check the Regulator Hose (dual burner models only) for any cracks, breaks or wear. If the hose is damaged replace it with the correct manufacturers part. Heater should be inspected before each use and once annually by a qualified service person.
2. After use, always disconnect the heater from the LP cylinder, and store the heater separately from the tank. Be sure to close the tank valve after use, and before storage. The LP cylinder should be stored outdoors in accordance with chapter 5 of the Standard for Storage and Handling of Liquefied Petroleum Gases (ANSI/INFP 58).





**NEVER LEAVE HEATER UNATTENDED
WHILE BURNING OR WHILE CONNECTED
TO A FUEL SOURCE**

Troubleshooting Guide

Locating Your Serial Number:

Your serial number can be found in the bottom left hand corner of the heater's instruction hang-tag. It will begin with the letters "PGTT" followed by 8 digits. For Example: PGTT12345678. Have your Serial Number ready before calling customer service at 800-779-3267.

Problem	Possible Cause(s)	Solution
Unit will not light.	<ol style="list-style-type: none">1. Valve on propane cylinder closed.2. Propane cylinder empty.3. Regulator not in  (HI) position.4. Defective regulator	<ol style="list-style-type: none">1. Open cylinder valve by turning COUNTERCLOCKWISE.2. Refill cylinder.3. Turn regulator to  (HI) position.4. Replace regulator assembly.
Burner will not stay lit when gas valve plunger is released	<ol style="list-style-type: none">1. Tip switch activated or defective.2. Wire terminal connections unplugged.3. Defective thermocouple.4. Defective MPU.	<ol style="list-style-type: none">1. Place heater in upright position or replace tip switch.2. Check wiring connections.3. Replace thermocouple.4. Replace MPU.
Excessive flames coming out of burner, not glowing red. Flames flashback / burn inside the mixing tube.	<ol style="list-style-type: none">1. Air inlet holes blocked or covered.2. Burner screen damaged.3. Gap between burner screen and burner can.	<ol style="list-style-type: none">1. Clear any obstructions2. Replace Burner screen.3. Replace or repair burner head assembly.



**NEVER LEAVE HEATER UNATTENDED
WHILE BURNING OR WHILE CONNECTED
TO A FUEL SOURCE**

Parts list

Item #	Description	PT-16-TTC	PT-32-TTC	PT-47-TTC
1	Hose Assembly	–	20-051-0001	20-051-0002
2	Thermocouple	20-091-0002	20-091-0002	20-091-0002
3	Mounting Bolt Knob	–	20-503-0001	20-503-0001
4	Tipover Switch	50-017-0001	50-017-0001	50-017-0001



NEVER LEAVE HEATER UNATTENDED WHILE BURNING OR WHILE CONNECTED TO A FUEL SOURCE

LIMITED WARRANTY

Pinnacle Climate Technologies, Inc. warrants this heater to the original retail purchaser only, to be free from defects in material and workmanship for a period of one (1) year from the date of initial purchase. This product must be properly installed, maintained and operated in accordance with the instructions provided.

Pinnacle Climate Technologies, Inc. requires reasonable proof of your date of purchase from an authorized retailer or distributor. Therefore, you should keep your sales slip, invoice or cancelled check from the original purchase. This Limited Warranty shall be limited to the repair or replacement of parts, which prove defective under normal use and service within the warranty period, and which **Pinnacle Climate Technologies, Inc.** shall determine at its reasonable discretion.

This warranty does not apply to products purchased for rental use.

This Limited Warranty does not cover any failures or operating difficulties due to normal wear and tear, accident, abuse, misuse, alteration, misapplication, improper installation or improper maintenance and service by you or any third party. Failure to perform normal and routine maintenance on the heater, shipping damage, damage related to insects, birds or animals of any kind, and damage due to weather conditions are also not covered. In addition, the Limited Warranty does not cover damage to the finish, such as scratches, dents, discoloration, rust or other weather damage, after purchase.

All transportation costs for the return of damaged product or parts will be the responsibility of the purchaser. Upon receipt of damaged item, **Pinnacle Climate Technologies, Inc.** will examine the item and determine if defective. **Pinnacle Climate Technologies, Inc.** will repair or replace and return the item, freight pre-paid.

Locating Your Serial Number:

Your serial number can be found in the bottom left hand corner of the heater’s instruction hang-tag. It will begin with the letters “PGTT” followed by 8 digits. For Example: PGTT12345678. Have your Serial Number ready before calling customer service at 800-779-3267.

Model #: _____

Serial #: _____

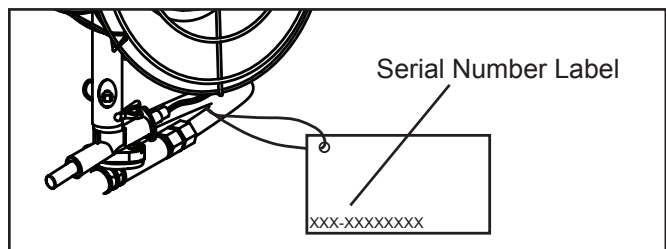
Date of Purchase: _____

If **Pinnacle Climate Technologies, Inc.** finds the item to be in normal operating condition, or not defective the item will be returned freight collect. This Limited Warranty is in lieu of all other express warranties. **Pinnacle Climate Technologies, Inc.** disclaims all warranties for products that are purchased from sellers other than authorized dealers or distributors.

AFTER THE PERIOD OF THE ONE (1) YEAR EXPRESS WARRANTY EXPIRES, **Pinnacle Climate Technologies, Inc.** DISCLAIMS ANY AND ALL IMPLIED WARRANTIES, INCLUDING WITHOUT LIMITATION THE IMPLIED WARRANTIES OF MERCHANTABILITY AND FITNESS FOR A PARTICULAR APPLICATION. FURTHER, **Pinnacle Climate Technologies, Inc.** SHALL HAVE NO LIABILITY WHATSOEVER TO PURCHASER OR ANY THIRD PARTY FOR ANY SPECIAL, INDIRECT, PUNITIVE INCIDENTAL, OR CONSEQUENTIAL DAMAGES. **Pinnacle Climate Technologies, Inc.** assumes no responsibility for any defects caused by third parties. This Limited Warranty gives the purchaser specific legal rights; a purchaser may have other rights depending upon where he or she lives. Some states do not allow the exclusion or limitation of special, incidental or consequential damages, or limitations on how long a warranty lasts, so the above exclusion and limitations may not apply to you.

Pinnacle Climate Technologies, Inc. does not authorize any person or company to assume for it any other obligation or liability in connection with the sale, installation, use, removal, return or replacement of its equipment, and no such representations are binding on **Pinnacle Climate Technologies, Inc.**

Always be sure to specify the model number and serial number when making any claim with **Pinnacle Climate Technologies, Inc.** For your convenience, use the space provided below to list this information.





1 Industrial Blvd #101, Sauk Rapids, MN 56379 USA • Toll Free (800) 779-3267
Fax: 320-251-2922 • Web: www.protemp.us • Email: info@pinnacleclimate.com