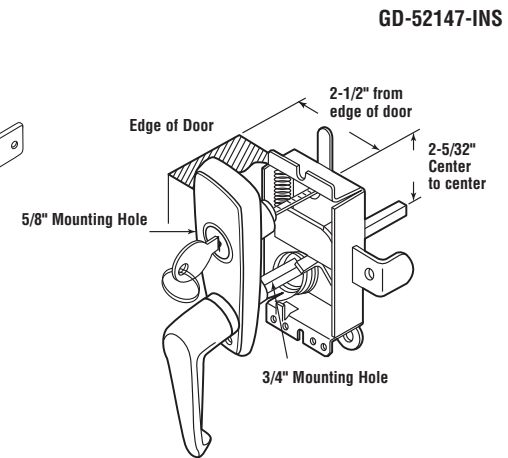
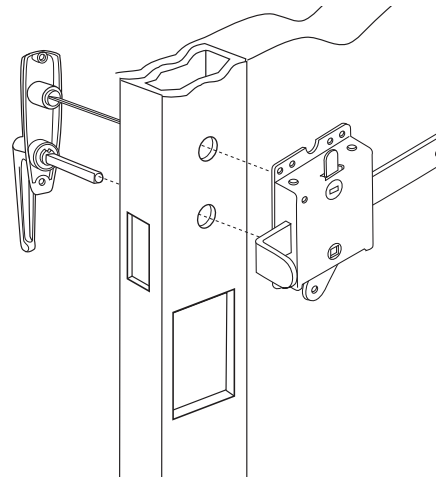
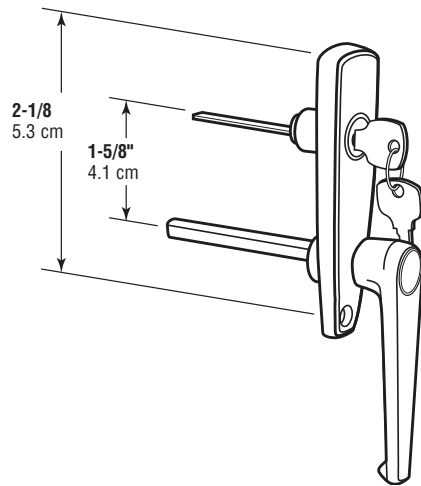


GD-52147

Deluxe Locking Handle

Agarradera de cerradura de lujo

Polignée de serrure de luxe



INSTALLATION

Refer to manufacturer's specifications whenever possible. Read directions completely before starting repair job. **Close and lock door securely. Block the top roller in the track with a "C" clamp or a pair of locking pliers.**

To install the locking handles. Remove screws attaching handle to garage door, fit the new handle's square drive into slot on the inside mechanism and the lock tail into the top slotted hole. Position new handle over old holes and install screws.

NOTE: Installation drawings are typical for this style of replacement part. They may not show a part identical to the one you are installing.

NOTA: Los dibujos para la instalación son genéricos para repuestos de este tipo; por lo que podrían no mostrar una pieza idéntica a la que usted esté instalando.

REMARQUE : Les dessins d'installation sont typiques pour ce style de pièce de rechange. Ils pourraient ne pas illustrer une pièce identique à celle que vous installez.

PRIME-LINE®

26950 San Bernardino Ave., Redlands, CA 92374

© 2010 Prime-Line Products