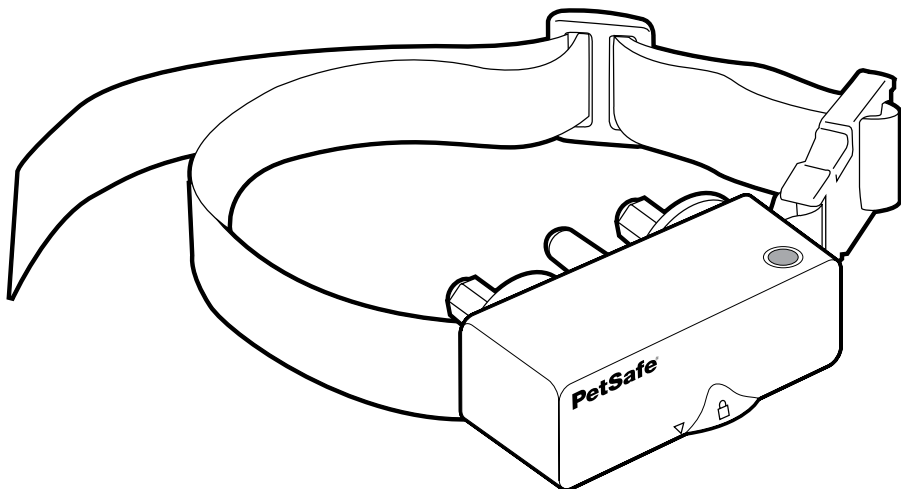




protect. teach. love.

# Basic Bark Control Collar

operating guide



PLEASE READ THIS ENTIRE GUIDE BEFORE BEGINNING

# Important Safety Information

## Explanation of Attention Words and Symbols used in this guide



This is the safety alert symbol. It is used to alert you to potential personal injury hazards. Obey all safety messages that follow this symbol to avoid possible injury or death.

### **⚠ WARNING**

WARNING indicates a hazardous situation which, if not avoided, could result in death or serious injury.

### **⚠ CAUTION**

CAUTION, used with the safety alert symbol, indicates a hazardous situation which, if not avoided, could result in minor or moderate injury.

### **CAUTION**

CAUTION, used without the safety alert symbol, indicates a hazardous situation which, if not avoided, could result in harm to your pet.

### **⚠ WARNING**

**Risk of explosion.** Do not short circuit, mix old and new batteries, dispose of in fire, or expose to water. When batteries are stored or disposed, they must be protected from shorting. Dispose of used batteries properly.

### **⚠ WARNING**

**Not for use with aggressive dogs.** Do not use this Product if your dog is aggressive, or if your dog is prone to aggressive behavior. Aggressive dogs can cause severe injury and even death to their owner and others. If you are unsure whether this product is appropriate for your dog, please consult your veterinarian or certified trainer.

### **CAUTION**

**Risk of skin damage.** Please read and follow the instructions in this manual. Proper fit of the collar is important. A collar worn for too long or made too tight on the pet's neck may cause skin damage. Ranging from redness to pressure ulcers; this condition is commonly known as bed sores.

- : Avoid leaving the collar on the dog for more than 12 hours per day.
- : When possible reposition the collar on the pet's neck every 1 to 2 hours.
- : Check the fit to prevent excessive pressure; follow the instructions in this manual.
- : Never connect a lead to the electronic collar; it will cause excessive pressure on the contacts.
- : When using a separate collar for a lead, don't put pressure on the electronic collar.
- : Wash the dog's neck area and the contacts of the collar weekly with a damp cloth.
- : Examine the contact area daily for signs of a rash or a sore.
- : If a rash or sore is found, discontinue use of the collar until the skin has healed.
- : If the condition persists beyond 48 hours, see your veterinarian.
- : For additional information on bed sores and pressure necrosis, please visit our website.

These steps will help keep your pet safe and comfortable. Millions of pets are comfortable while they wear stainless steel contacts. Some pets are sensitive to contact pressure. You may find after some time that your pet is very tolerant of the collar. If so, you may relax some of these precautions. It is important to continue daily checks of the contact area. If redness or sores are found, discontinue use until the skin has fully healed.

The PetSafe® Basic Bark Control Collar must be used only on healthy dogs. We recommend that you take your dog to a veterinarian before using the collar if he is not in good health.

The Bark Control Collar is not a toy. Keep it away from the reach of children. Use it only for its bark stopping purpose.

Thank you for choosing the PetSafe® brand. You and your pet deserve a companionship that includes memorable moments and a shared understanding together. Our products and training tools promote a lifestyle of protection, teaching, and love—essentials that influence memories for a lifetime. If you have any questions about our products or training your pet, please visit our website at [www.petsafe.net](http://www.petsafe.net) or contact our Customer Care Center at 1-800-732-2677.

To get the most protection out of your warranty, please register your product within 30 days at [www.petsafe.net](http://www.petsafe.net). By registering and keeping your receipt, you will enjoy the product's full warranty and should you ever need to call the Customer Care Center, we will be able to help you faster. Most importantly, PetSafe® will never give or sell your valuable information to anyone. Complete warranty information is available online at [www.petsafe.net](http://www.petsafe.net).

---

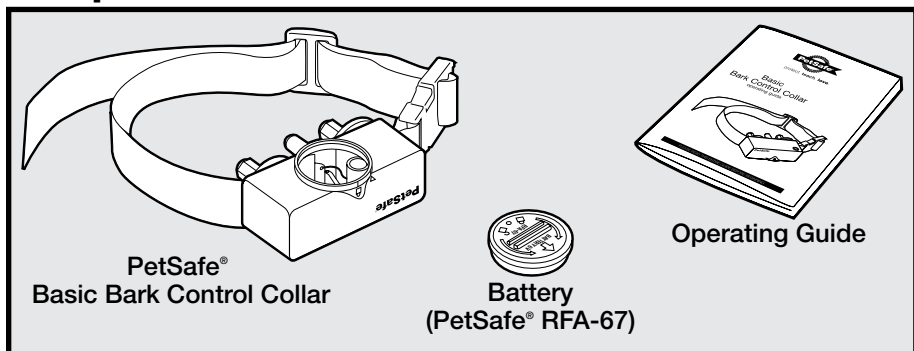
## Table of Contents

Components.....	4
Features.....	4
How the PetSafe® Basic Bark Control Collar Works.....	4
Key Definitions .....	4
Fit the Bark Control Collar.....	5
To Insert and Remove the Battery.....	6
What to Expect During Use of the Bark Control Collar.....	7
Tips and Maintenance .....	7
To Test the Bark Control Collar.....	7
<b>Frequently Asked Questions</b> .....	8
<b>Troubleshooting</b> .....	8
Terms of Use and Limitation of Liability .....	9
Customer Care International .....	9
Battery Disposal .....	10
FCC .....	10
Perchlorate Battery.....	10

“In a Tuskegee University study of adult shelter dogs wearing the PetSafe® Bark Control Collar for six 30-minute sessions over two weeks, we detected no long-term adverse effects, and all dogs dramatically reduced their barking by the second day.”

Dr. Janet Steiss and Dr. Caroline B. Schaffer  
Tuskegee University

# Components



## Features

- : 6 levels of static correction, automatically adjusts to your dog's temperament starting at the lowest level
- : Low battery indicator
- : Waterproof

## How the PetSafe® Basic Bark Control Collar Works

The PetSafe® Basic Bark Control Collar effectively deters barking when it is worn. When the vibration of your dog's bark triggers the Sensor Probe, a static correction is administered through the Contact Points. The Bark Control Collar starts with the lowest level of static correction and then increases through 6 levels each time your dog barks within 30 seconds of the previous bark. If your dog does not bark again within 30 seconds, the Bark Control Collar will reset itself to the lowest level of static correction. Along with each static correction, there will be an audible beep. As an added safety feature, the Bark Control Collar will automatically shut off for 3 minutes if your dog barks 15 times or more within a 50-second period.

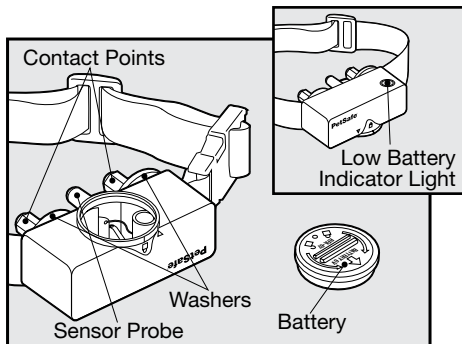
## Key Definitions

**Contact Points:** Deliver the static correction.

**Sensor Probe:** Detects the vibrations of your dog's barking. *Note: The Sensor Probe is not adjustable.*

**Battery:** Turns the unit on when installed.

**Low Battery Indicator Light:** The Indicator Light will begin flashing when battery is low.

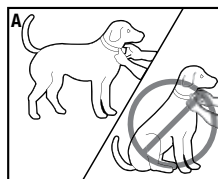


# Fit the Bark Control Collar

**Important:** The proper fit and placement of your Bark Control Collar is important for effective operation. The Contact Points must have direct contact with your dog's skin on the underside of his neck.

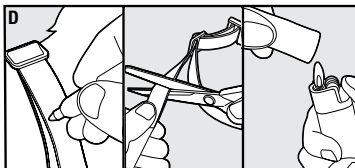
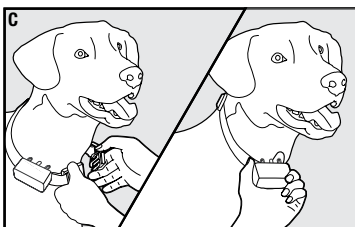
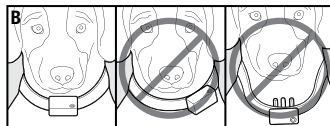
To assure a proper fit, please follow these steps:

1. Make sure that the Bark Control Collar is turned off (battery removed).
2. Start with your dog standing comfortably (A).
3. Place the Bark Control Collar on your dog's neck close to the ears. Center the Contact Points underneath your dog's neck, touching the skin (B). *Note: It is sometimes necessary to trim the hair around the Sensor Probe to make sure that contact is consistent.*



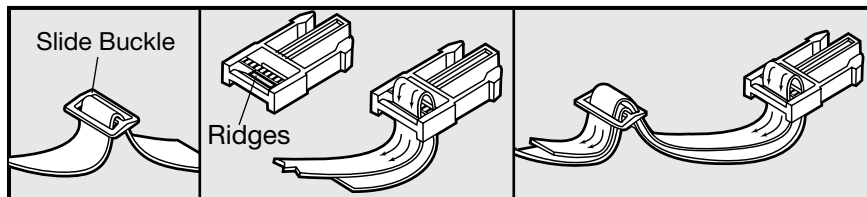
**CAUTION** Do not shave the pet's neck as this may increase the risk of skin irritation.

4. Check the tightness of the Bark Control Collar by inserting one finger between the Sensor Probe and the dog's neck (C). The fit should be snug but not constricting.
5. Allow your dog to wear the collar for several minutes, then recheck the fit. Check the fit again as your dog becomes more comfortable with the Bark Control Collar.
6. Trim the collar as follows: (D)
  - a. Mark the desired length of the collar with a pen. Allow for growth if your dog is young or grows a thick winter coat.
  - b. Remove the Bark Control Collar from your dog and cut off excess.
  - c. Before placing the Bark Control Collar back onto your dog, seal the edge of the cut collar by applying a flame along the frayed edge.



**CAUTION** The Receiver Collar should not be worn for more than 12 hours out of every 24-hour period. Leaving the collar on too long could lead to skin irritation. Please refer to page 2 for additional information.

## To Re-Thread the Collar



- : The slide buckle prevents the collar from becoming loose around your pet's neck.
- : The ridges must be facing up; the collar will slip if it is not properly threaded.

# To Insert and Remove the Battery

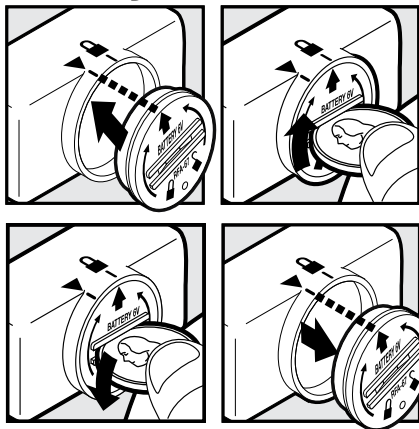
*Note: Do not install the battery while the Bark Control Collar is on your dog.*

This Bark Control Collar utilizes a replaceable PetSafe® battery (RFA-67). This unique battery is designed to make battery replacement easier and increase water protection.

To insert the battery, align the symbols on the battery (arrow) and Bark Control Collar (triangle). Use a large coin to turn the battery clockwise until the arrow lines up with the lock symbol on the housing. This turns the Bark Control Collar on.

To remove the battery, turn the battery counter-clockwise using a large coin. Removing the battery turns the Bark Control Collar off.

A replacement PetSafe® battery (RFA-67) can be found at many retailers. Contact the Customer Care Center or visit our web site at [www.petsafe.net](http://www.petsafe.net) to locate a retailer near you.



## Battery Life

Average battery life is 3 to 6 months, depending on how often your dog barks. However, due to your dog's learning process, your first battery may not last as long as replacement batteries.

**⚠ WARNING** Do not attempt to cut into or pry open the battery. Be sure to discard the used battery properly.

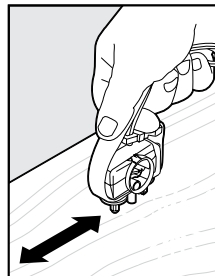
## Low Battery Indicator

During normal operation the Indicator Light remains off. As the product is used, the battery will be drained to a weakened state. At this point, the Indicator Light will begin to flash to show that it is time to change the battery.

## To Discharge the Bark Control Collar

**Important: To avoid feeling the static correction yourself, do not touch the Contact Points and Sensor Probe unless the Bark Control Collar is completely discharged.**

After battery removal, the Bark Control Collar retains some stored energy and may activate 2 or 3 additional times. To completely discharge the Bark Control Collar, slide the Sensor Probe across a table or hard surface several times, until the Bark Control Collar stops beeping.



# What to Expect During Use of the Bark Control Collar

**Important: Do not leave your dog alone the first few times he receives a static correction.**

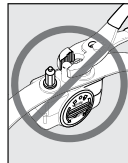
Place the Bark Control Collar properly on your dog and wait nearby until he barks. Most dogs will understand very quickly that the Bark Control Collar is disrupting their urge to bark and will relax and stop barking. Because the static correction from the Bark Control Collar may be surprising or startling at first, some dogs may bark more at the initial correction.

On rare occasions, a dog may get into a bark-correction-bark-correction cycle. If this happens, reassure your dog with calm, soothing tones. As your dog relaxes, he will understand that if he becomes quiet, he will not receive any more static corrections. The small minority of dogs that have this reaction will only have it the first time they wear the Bark Control Collar.

You should notice a reduction in your dog's barking within the first couple of days that he wears the Bark Control Collar. At this point, it is important to remember the learning process is still not complete. Dogs will "test" this new learning experience and will increase their attempts to bark. This usually occurs during the second week a dog wears the Bark Control Collar. If this does occur, remain consistent and do not alter your use of the Bark Control Collar. You must place the Bark Control Collar on your dog in every situation when you expect him to be quiet. If your dog is not wearing the Bark Control Collar, he may resume barking and his learning would suffer a setback.

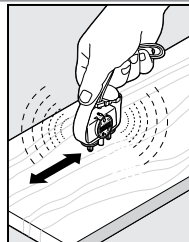
## Tips and Maintenance

- : Before playing with your dog, turn the unit off and remove the Bark Control Collar. The activity may cause your dog to bark, which could lead to him associating the play with the correction.
- : Turn OFF the device while not in use.
- : The PetSafe® Basic Bark Control Collar should only be used with pets that are over 6 months of age.
- : If your pet is injured or its mobility is otherwise impaired, contact your veterinarian or professional trainer before use.
- : Do not leave your device unattended where your dog could accidentally damage it through chewing.
- : Do not attempt to repair the device yourself. This will invalidate the warranty and make repairs more difficult.
- : Clean your dog's hair weekly with a washcloth and a mild hand soap. Rinse and dry your dog's neck thoroughly.
- : Clean the Contact Points weekly with alcohol.
- : Check the Contact Points weekly for tightness. *Note: Do NOT adjust the factory preset Sensor Probe.*



## To Test the Bark Control Collar

Slide the Sensor Probe across a rough surface for at least 10 inches. The Bark Control Collar should beep. If your Bark Control Collar doesn't beep during this test, see "The Bark Control Collar does not beep" in the "Troubleshooting" section, and continue with the second step.



## Frequently Asked Questions

<b>My dog has a sensitive nature. Can I lower the static correction level?</b>	: You can obtain a resistor to reduce the static correction level by contacting the Customer Care Center.
<b>Will another dog's bark set off the Bark Control Collar?</b>	: No. The PetSafe® Basic Bark Control Collar uses both vibration and sound sensors to ensure your dog's bark is the only one that will cause a correction.
<b>Is the static correction safe for my pet?</b>	: Yes. The Bark Control Collar is designed to get your dog's attention, not to punish him. However, the initial static correction may startle your dog.
<b>Will the Bark Control Collar work for my dog?</b>	: The Bark Control Collar is safe and effective for most breeds and sizes of dogs, though it may be too large for dogs under 8 pounds to wear comfortably.

## Troubleshooting

<b>The Bark Control Collar does not beep.</b>	: Test the Bark Control Collar (see "To Test the Bark Control Collar" section). : If your Bark Control Collar does not beep during this test, try the same test on a rougher surface. : Ensure that the battery is properly installed. : Replace the battery. : If the Bark Control Collar still does not beep, contact the Customer Care Center.
<b>My Bark Control Collar beeps, but my dog keeps barking (does not respond to the static correction).</b>	: Tighten the Bark Control Collar and/or trim your dog's hair where the Contact Points touch his neck to ensure good skin contact. : Replace the battery. : If your dog still does not respond, contact the Customer Care Center.
<b>The Bark Control Collar Indicator Light is flashing.</b>	: Replace the battery.



# Terms of Use and Limitation of Liability

## 1. Terms of Use

This Product is offered to you conditioned upon your acceptance without modification of the terms, conditions and notices contained herein. Usage of this product implies acceptance of all such terms, conditions, and notices.

## 2. Proper Use

This Product is designed for use with pets where training is desired. The specific temperament of your pet may not work with this product. We recommend that you not use this product if your pet is less than 8 lb or under 6 months old, or if your pet is aggressive. If you are unsure whether this is appropriate for your pet, please consult your veterinarian, certified trainer or contact our Customer Care Center or visit our website at [www.petsafe.net](http://www.petsafe.net).

Proper use includes reviewing the entire Operating and Training Guide provided with your product and any specific Caution statements.

## 3. No Unlawful or Prohibited Use

This Product is designed for use with pets only. This pet training device is not intended to harm, injure, or provoke. Using this product in a way that is not intended could result in violation of Federal, State or local laws.

## 4. Limitation of Liability

In no event shall Radio Systems® Corporation be liable for any direct, indirect, punitive, incidental, special or consequential damages, or any damages whatsoever arising out of or connected with the use or misuse of this Product. Buyer assumes all risks and liability from the use of this Product.

## 5. Modification of Terms and Conditions

Radio Systems® Corporation reserves the right to change the terms, conditions and notices under which this Product is offered.

---

## Customer Care International

USA & Canada - Tel: 800-732-2677

Monday - Friday 8 AM - 8 PM / Saturday 9 AM - 5 PM

Australia - Tel: 1800 786 608

Monday - Friday 8:30 AM - 5 PM

New Zealand - Tel: 0800 543 054

Monday - Friday 10:30 AM - 7 PM

This product has the benefit of a limited manufacturer's warranty. Details of the warranty applicable to this product and its terms can be found at [www.petsafe.net](http://www.petsafe.net) and/or are available by sending a stamped addressed envelope to PetSafe® Ltd. Redthorn House, Unit 9, Chorley West Business Park, Ackhurst Road, Chorley, Lancashire PR7 1NL, United Kingdom.



## Battery Disposal

Separate collection of spent batteries is required in many regions; check the regulations in your area before discarding spent batteries. At the end of the product life, please contact our Customer Care Center to receive instructions on proper disposal of the unit. Please do not dispose of the unit in household or municipal waste. For a listing of Customer Care Center telephone numbers in your area, visit our website at [www.petsafe.net](http://www.petsafe.net).

---

## FCC

This device complies with part 15 of the FCC Rules. Operation is subject to the following two conditions: (1) This device may not cause harmful interference, and (2) this device must accept any interference received, including interference that may cause undesired operation.

**CAUTION: Modification or changes to this equipment not expressly approved by Radio Systems® Corporation may void the user's authority to operate the equipment.**

**NOTE:** This equipment has been tested and found to comply with the limits for a Class B digital device, pursuant to part 15 of the FCC Rules. These limits are designed to provide reasonable protection against harmful interference in a residential installation. This equipment generates, uses, and can radiate radio frequency energy and, if not installed and used in accordance with the instructions, may cause harmful interference to radio communications. However, there is no guarantee that interference will not occur in a specific installation. If interference does occur to radio or television reception, which can be determined by turning the equipment off and on, the user is encouraged to try to correct the interference by one or more of the following measures:

- : Reorient or relocate the receiving antenna.
  - : Increase the separation between the equipment and the receiver.
  - : Connect the equipment to an outlet on a circuit different from that to which the receiver is connected.
  - : Consult customer care, the dealer, or an experienced radio/TV technician for help.
- 

## Perchlorate Battery

Perchlorate Material – special handling may apply.  
See [www.dtsc.ca.gov/hazardouswaste/perchlorate](http://www.dtsc.ca.gov/hazardouswaste/perchlorate).



Radio Systems® Corporation  
10427 PetSafe Way  
Knoxville, TN 37932  
1-800-732-2677  
[www.petsafe.net](http://www.petsafe.net)  
400-1553

©2004 Radio Systems Corporation