



protect. teach. love.

Wall Entry Aluminum Pet Door™

Installation Guide
Manuel d'installation
Manual de instalación

Please read this entire guide before installing.
Veuillez lire tout ce manuel avant de commencer.
Por favor,lea completamente esta guía antes de comenzar.



Model Numbers / Numéros de modèles / Números de modelo

PPA11-10915 Small / Petit / Pequeña

PPA11-10916 Medium / Moyen / Mediana

PPA11-10917 Large / Grand / Grande

Important Safety Information

Explanation of Attention Words and Symbols used in this guide



This is the safety alert symbol. It is used to alert you to potential personal injury hazards. Obey all safety messages that follow this symbol to avoid possible injury or death.

⚠ WARNING

WARNING indicates a hazardous situation which, if not avoided, could result in death or serious injury.

⚠ CAUTION

CAUTION, used with the safety alert symbol, indicates a hazardous situation which, if not avoided, could result in minor or moderate injury.

NOTICE

NOTICE is used to address safe use practices not related to personal injury.

⚠ WARNING

- When children are present in the home, it is important to consider the pet door during child proofing activities. The pet door may be misused by a child resulting in the child accessing potential hazards that may be on the other side of the pet door. Purchasers/Homeowners with swimming pools should ensure that the pet door is monitored at all times and that the swimming pool has adequate barriers to entry. If a new hazard is created inside or outside of your home, which may be accessed through the pet door, Radio Systems® Corporation recommends that you properly guard access to the hazard or remove the pet door. The closing panel or lock, if applicable, is provided for aesthetic and energy efficiency purposes and is not intended as a security device. Radio Systems® Corporation will not be liable for unintended use and the purchaser of this product accepts full responsibility for oversight of the opening it creates.
- Power Tools. Risk of severe injury; follow all safety instructions for your power tools. Be sure to always wear your safety goggles.

⚠ CAUTION

The user, prior to installation, must become familiar with all building codes that may affect the installation of the pet door and determine, along with a licensed contractor, its suitability in a given installation. This pet door is not a fire door. It is important for the owner and contractor to consider any risks that may be present inside or outside of the pet door, and any risks that may be created by subsequent changes to your property and how they may relate to the existence and use, including misuse of the pet door.

NOTICE

- Keep these instructions with important papers; be sure to transfer these instructions to the new owner of the property.
- Check for electrical/plumbing fixtures that could be in the wall where you wish to place the pet door.
- Make sure the support fits snug and that it is not too long or too short. In either instance, damage to the wall can occur.
- If placing screws into vinyl siding it may be necessary to drill a hole through the siding slightly larger than the heads of the screws. This will allow the screws to tighten flush with plywood and not buckle the vinyl siding.

Thank you for choosing the PetSafe® brand. You and your pet deserve a companionship that includes memorable moments and a shared understanding together. Our products and training tools promote a lifestyle of protection, teaching, and love—essentials that influence memories for a lifetime. If you have any questions about our products or training your pet, please visit our website at www.petsafe.net or contact our Customer Care Center.

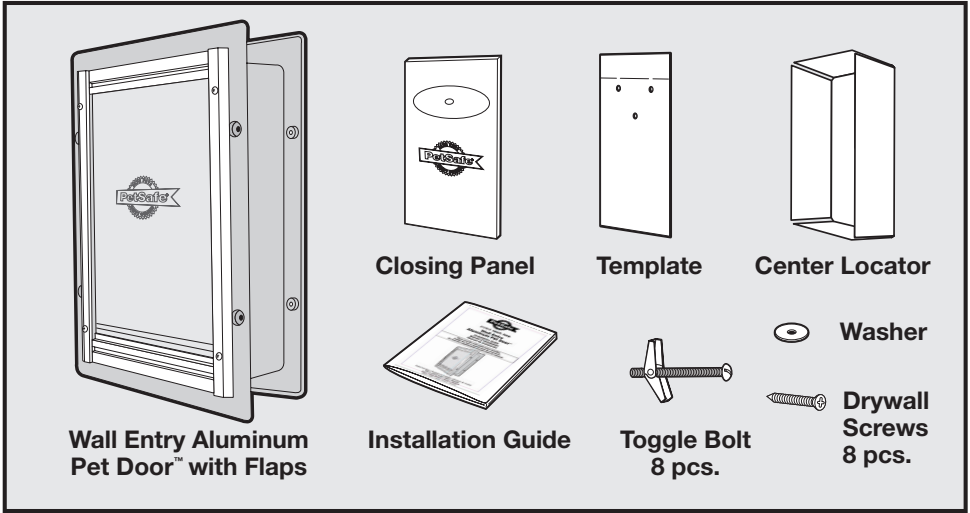
PRODUCT WARRANTY

To get the most protection out of your warranty, please register your product within 30 days at www.petsafe.net. By registering and keeping your receipt, you will enjoy the product's full warranty and should you ever need to call the Customer Care Center, we will be able to help you faster. Most importantly, PetSafe® will never give or sell your valuable information to anyone. Complete warranty information is available online at www.petsafe.net.

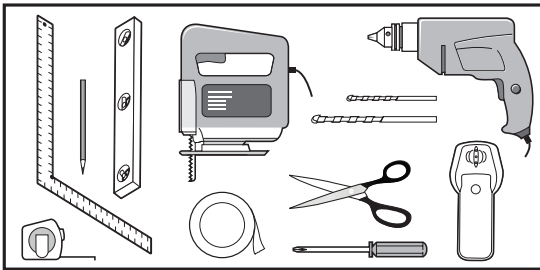
Table of Contents

Components	4
Tools Needed	4
Key Definitions	4
INSTALLING YOUR WALL ENTRY ALUMINUM PET DOOR™	
Measure	5
Tape	5
Cut Interior Wall	5
Cut Exterior	6
Install and Attach Interior	8
Optional Support Installation	8
Install and Attach Exterior	9
Train Your Pet	9
Replacement Flaps	10
Replacement Parts and Accessories	10
Terms of Use and Limitation of Liability	11
Français	12
Español	22

Components



Tools Needed



- Framing Square
- Jigsaw
- Drill
- 5/16" (8 mm) & 1/2" (13 mm) Drill Bits
- Phillips Screwdriver
- Tape Measure
- Tape
- Pencil
- Level
- Scissors
- Stud Finder

NOTE: Some applications may require the Wall Entry Extension Tunnel (sold separately). See "Replacement Parts and Accessories" on page 10.

Want Professional Installation Help?

Invisible Fence® Brand installers (where available) will come to your home and install your new PetSafe® Pet Door for an additional cost. Contact the Customer Care Center at 1-877-866-DOGS (3647) or visit our website at www.invisiblefence.com for more information.

Key Definitions

Outer Frame Size – Overall pet door dimensions

Cut-out Size – Opening cut in homeowner's door for proper fit and pet door installation

Replacement Flap Size – Overall flap size when removed from pet door

Flap Opening Size – Usable flap space for pet to enter and exit through the pet door

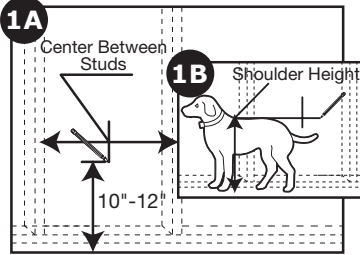
Interior Frame – Pet door frame on the inside of home

Exterior Frame – Pet door frame on the outside of home

Installing Your Wall Entry Aluminum Pet Door™

Step 1 Measure

1



1A Locate the site for the Wall Entry Aluminum Pet Door™. Locate the studs in the proposed area. Locate the center between the two studs. Using a pencil, draw a 5" (12.7 cm) vertical line on center about 10" to 12" (25.4 cm to 30.5 cm) above the floor.

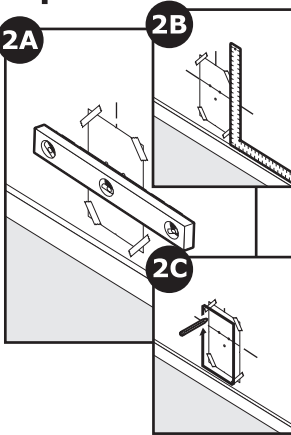
1B Mark the shoulder height of your pet on the vertical line. Draw a horizontal line through your mark.

NOTICE

Check for electrical and plumbing fixtures that could be in the wall where you wish to place the pet door.

Step 2 Tape

2



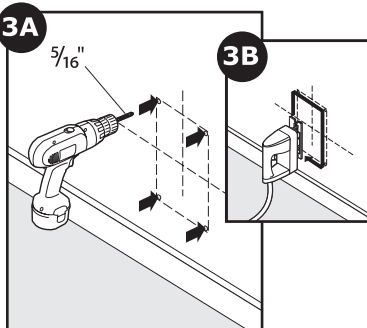
2A Place the template against the wall. Align the lines on the template with the lines on the wall. Tape in place.

2B Check that the template is square.

2C Carefully trace the template with a pencil. Remove the template from the wall. Take a moment to review the hole location to ensure that the template is level and that this is the best possible location for the pet door.

Step 3 Cut Interior Wall

3

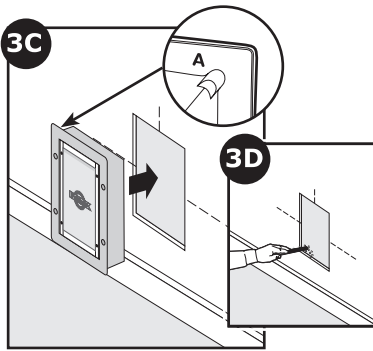


3A Drill out the four corners of the rectangular hole with a $\frac{5}{16}$ " (8 mm) drill bit.

Helpful Tip: Use both hands to hold drill steady and straight at a 90° angle.

3B Carefully cut the hole out using a jigsaw or other appropriate cutting device. Cut on line.

Helpful Tip: When cutting use both hands to hold the saw slow, steady and straight at a 90° angle.



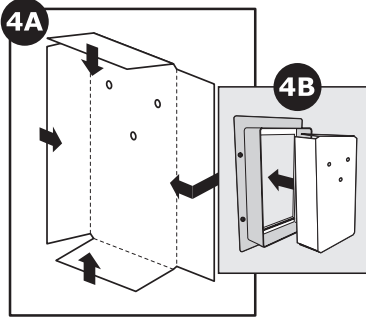
Fit ✓

3C **Check** Using the A side of the pet door, check the fit. Do not force fit if it is tight.

3D If the hole is too small, simply remove the pet door and re-cut or file the hole slightly to enlarge. Do not cut more than 1/8" (3.2 mm) from your previous cut. Once the pet door properly goes into the hole, adjust to ensure the unit is square.

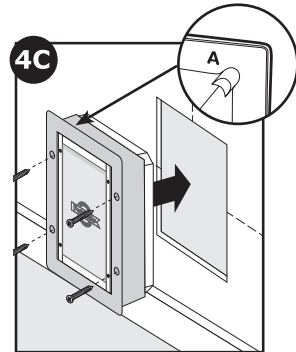
Step 4 Cut Exterior

4

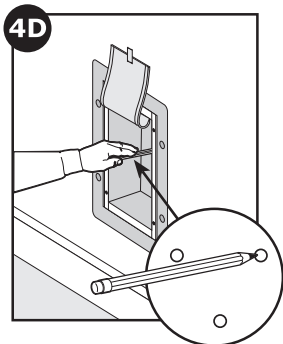


4A Remove the pet door from the wall. Fold up the Center Locator.

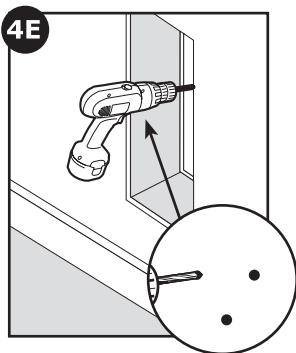
4B Slide the folded piece into the back of A side as shown.



4C Place A side of pet door back into wall and use the drywall screws to hold unit in place temporarily.

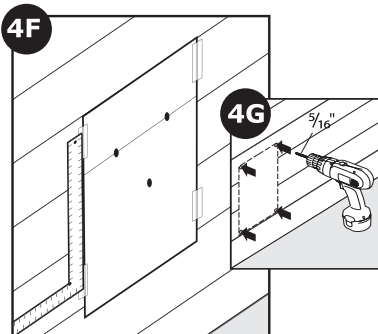


4D Lift the flap and push the Center Locator until it is touching the outside wall. Make sure all the folded flaps are resting flush on the inside of tunnel and that you have not completely pushed Center Locator out of pet door. Mark the holes on the Center Locator.



4E Remove the pet door from the inside wall. Drill out the marked holes with your $\frac{5}{16}$ " (8mm) drill bit. Be careful to keep these holes as straight as possible.

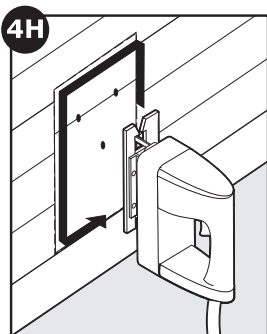
Helpful Tip: Use both hands to hold drill steady and straight at a 90° angle.



4F You are now ready to work from the outside wall. Line up the three holes on the template with the three holes that you just drilled. Check for square and tape in position.

4G Drill out the four corners of the rectangular hole with a $\frac{5}{16}$ " (8 mm) drill bit.

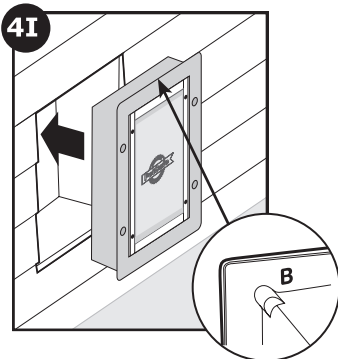
Helpful Tip: Use both hands to hold drill steady and straight at a 90° angle.



4H Carefully cut the hole out using a jigsaw or other appropriate cutting device. Cut on line.

Helpful Tip: When cutting use both hands to hold the saw slow, steady and straight at a 90° angle.

Helpful Tip: If you are going through vinyl siding it is best to carefully score and cut the siding before cutting through plywood.

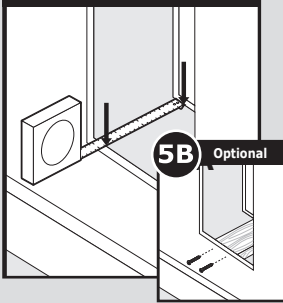


Fit ✓
4I **Check** Using the B side of the pet door, check the fit. Do not force fit if it is tight. If the hole is too small, simply remove the pet door and re-cut or file the hole slightly to enlarge. Do not cut more than $\frac{1}{8}$ " (3.2 mm) from your previous cut. Once the pet door properly goes into the hole, adjust to ensure the unit is square.

Step 5 Install and Attach Interior

5

5A Optional



Optional Support Installation:

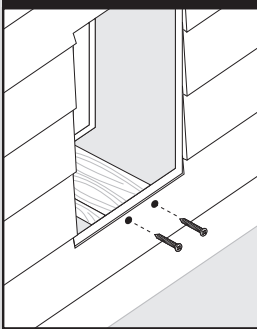
5A Optional: Measure from the inside of outer wall to the inside of inner wall as shown. Cut a 2X4 to the measured length, making sure that the cut is square. Remove any debris that may be inside the wall where the support will be located.

5B Optional: Place support inside wall so that the top of support is flush with the bottom of cut-outs. Use 2 drywall screws (supplied) or 2 wood screws (optional) to fasten the inner side of support as shown. Check again to make sure that the support is flush with bottom of cut-outs.

NOTICE

Make sure the support fits snug and that it is not too long or too short. In either instance, damage to the wall can occur.

5C Optional

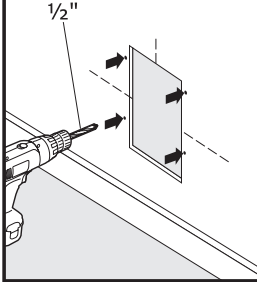


5C Optional: Use the 2 drywall screws (supplied) or 2 wood screws (optional) to fasten the outer portion of the support.

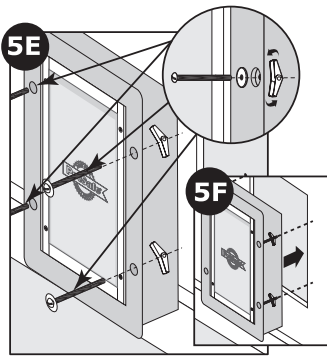
NOTICE

If placing screws into vinyl siding it may be necessary to drill a hole through the siding slightly larger than the heads of the screws. This will allow the screws to tighten flush with plywood and not buckle the vinyl siding.

5D



5D Using the holes left by the drywall screws on the A side of pet door as pilot holes, drill a 1/2" (13 mm) hole for the toggle bolts.



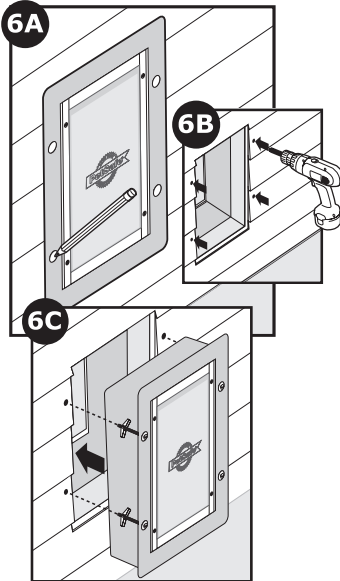
5E Install the Toggle Bolts into the A side of the pet door as shown.

5F Place the A side of the pet door back into the cut hole and tighten the bolts. Be careful not to overtighten.

Helpful Tip: You may need to start the toggle bolt into the hole. Sometimes you need to hold the screw out so the toggle is locked while you tighten the screw until the toggle is tight enough that it will hold itself in place while you finish tightening.

Step 6 Install and Attach Exterior

6



6A You are now ready to work from the outside wall. With B side in position, mark location of 4 toggle bolt holes. Remove B side of the pet door.

6B Drill marked locations with 1/2" (13 mm) drill bit.

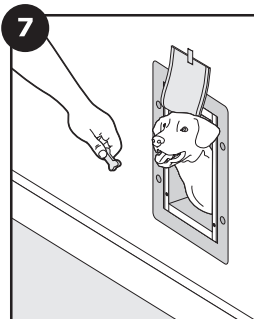
6C Install the toggle bolts into the B side. Slide the B side of the Pet Door into the A side that is already installed on the inside. The unit will slide together just like it was in the package.

Fit Check Inspect the unit for a snug fit and any gaps that could cause a draft or water penetration. Either tighten the fit or use closed cell foam and/or silicone caulk in these areas.

Helpful Tip: If installing in a vinyl siding application, you may want to place closed cell foam and/or silicone caulk between the pet door flange and the siding.

Step 7 Train Your Pet

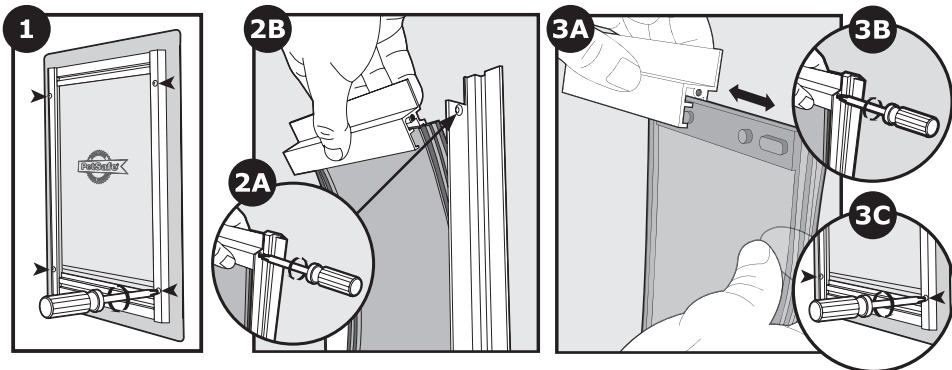
7



7 Bring your pet to the pet door. Temporarily tape both flaps up and try to talk your pet into going through. If your pet will not go through the door do not force him through the door, simply wait for your pet to go through on his own.

Helpful Tip: Sometimes it helps for you to be on one side of the door and your pet on the other. You may try persuading your pet through the door using a small piece of food or a treat.

Replacement Flaps



Replacement Parts and Accessories

To purchase replacement parts for your PetSafe® Wall Entry Aluminum Pet Door™, contact our Customer Care Center at **1-800-732-2677** or visit our website at www.petsafe.net.

Component	Replacement Part Number
Small Replacement Flap	4-0110-11
Medium Replacement Flap	4-0111-11
Large Replacement Flap	4-0113-11
Small Closing Panel	MPA00-12831
Medium Closing Panel	MPA00-12832
Large Closing Panel	MPA00-12833
Small Wall Entry Extension Tunnel	MPA00-12638
Medium Wall Entry Extension Tunnel	MPA00-12639
Large Wall Entry Extension Tunnel	MPA00-12640
Installation Hardware Kit	MPA00-12641
Small Flap Mounting Kit	MPA00-12694
Medium Flap Mounting Kit	MPA00-12695
Large Flap Mounting Kit	MPA00-12696

Terms of Use and Limitation of Liability

1. Terms of Use

This Product is offered to you conditioned upon your acceptance without modification of the terms, conditions and notices contained herein. Usage of this Product implies acceptance of all such terms, conditions, and notices.

2. Proper Use

This Product is designed for use with pets where training is desired. The specific temperament of your pet may not work with this Product. If you are unsure whether this is appropriate for your pet, please consult your veterinarian or certified trainer. Proper use includes reviewing the entire Operating Guide provided with your Product and any specific Caution statements.

3. No Unlawful or Prohibited Use

This Product is designed for use with pets only. This pet training device is not intended to harm, injure, or provoke. Using this Product in a way that is not intended could result in violation of Federal, State or local laws.

4. Limitation of Liability

In no event shall Radio Systems® Corporation be liable for any direct, indirect, punitive, incidental, special or consequential damages, or any damages whatsoever arising out of or connected with the use or misuse of this Product. Buyer assumes all risks and liability from the use of this Product.

5. Modification of Terms and Conditions

Radio Systems® Corporation reserves the right to change the terms, conditions and notices under which this Product is offered.

Radio Systems® Corporation
10427 Electric Avenue
Knoxville, TN 37932
1-800-732-2677
www.petsafe.net
400-808-11/3

©2006, Radio Systems® Corporation