



OWNER'S MANUAL

HIGH VELOCITY FLOOR FAN



MODELS: 1PAFHV12, 1PAFHV18

SAFETY WARNING

Read this Instruction manual carefully before assembling or operating the appliance and keep it for future reference.

SAFETY WARNING

When using electrical appliances, basic precautions should always be followed to reduce the risk of fire, electric shock and injury to persons, including the following:

1. To reduce the risk of electric shock, **do not** immerse or expose this appliance or flexible cord to rain, moisture or any other liquid.
2. Dangerous high voltages are present inside this enclosure. To avoid electric shock, **do not** open the cabinet, refer servicing to qualified personnel only.
3. This appliance is intended for household use only and not for commercial, Industrial or outdoor use. Other use not recommended may cause fire, electric shock or injury.
4. Make sure the fan is not placed near drapes, curtains, or any objects that may be drawn into the fan. Never place or operate the unit where it could be subject to:
 - Heat sources such as radiators, heat registers, stoves or other products that produce heat
 - Direct sunlight
 - Excessive dust
 - Mechanical vibration or shock
 - Lack of ventilation
 - Uneven surfaces
5. The apparatus shall not be exposed to dripping or splashing and no objects filled with liquids, such as vases, shall be placed on the product.
6. Ventilation should not be impeded by covering the ventilation openings. Slots and opening are provided for ventilation to ensure reliable operation of the product and to protect it from overheating. Do not use with any opening blocked, keep free of dust, lint, hair and anything that might reduce airflow.
7. Place the fan on a stable level, dry surface when operating to avoid overturning.
8. Only connect to a suitable AC120V~60Hz earthed mains socket.
9. Do not operate fan in the presence of explosive and/or flammable fumes. Do not place the fan near an open flame, cooking or other heating appliance.
10. Do not operate the fan with a damaged cord or plug, after a malfunction or if dropped or damaged in any manner.
11. Do not operate without the fan grills properly in place. Do not use if grill becomes damaged or loose.
12. Do not place the fan close to an open window. Rain splashing on the fan could cause an electric shock hazard.
13. Do not let the power cord hang over the edge of a table or counter or let it touch any hot surfaces.

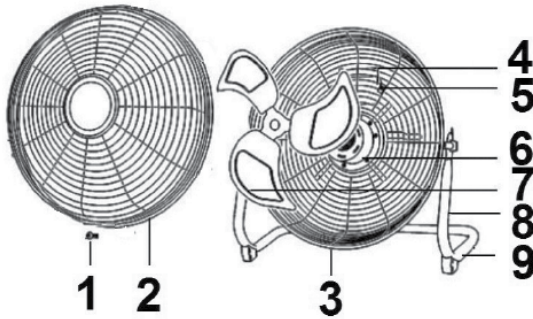
SAFETY WARNING

(Continued)

14. Do not insert fingers or allow foreign objects to enter the grill openings as this may cause injury or damage to the appliance.
15. This appliance is not intended for use by persons (including children) with reduced physical, sensory or mental capabilities, or lack of experience and knowledge, unless they have been given supervision or instruction concerning use of the appliance by a person responsible for their safety.
16. **⚠ WARNING** Children should be supervised to ensure that they do not play with the appliance.
17. Turn the fan OFF and unplug it from the outlet when not in use, when moving fan from one location to another and before cleaning.
18. To disconnect, grip the plug and pull it from the wall outlet. Never pull by the cord.
19. Switch off and unplug from wall outlet when not in use, before assembling or disassembling parts; and before cleaning. To avoid a tripping hazard, safely coil the cable.
20. Do not place this appliance on any flooring that may be marked or damaged by vibration of appliances.
21. If the supply cord is damaged, it must be replaced by the manufacturer, its service agent or similarly qualified persons in order to avoid a hazard. Do not attempt to repair, disassemble or modify the appliance by yourself. There are no user-serviceable parts inside.

PARTS / ASSEMBLY

DESCRIPTION OF PARTS

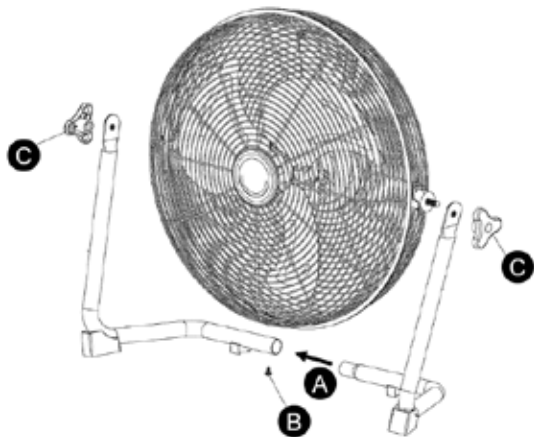


1 Safety Screw	4 Handle	7 Blade
2 Front Grill	5 Switch Box	8 Metal Tube
3 Rear Grill	6 Motor	9 Metal Base

Note: 1PAFHV12 comes fully assembled and is ready for use.

ASSEMBLY (1PAFHV18) *Phillips screwdriver will be needed*

- Slide the two halves of the metal base together (A)
- Screw both sides of the metal base together using the included screw (B) and a phillips screwdriver.
- Attach both sides of the metal base to the fan's rear grill and tighten by using the included plastic knobs (C).



OPERATION

OPERATION

NOTE: During the first few minutes of initial use, you may notice a slight odor. This is normal and will quickly disappear.

1. Place your fan on a level and dry surface.
2. Plug the fan in to a suitable mains socket. Select the desired speed setting by turning the Speed Control Knob. There are 4 settings – 0 (off), 1 (low), 2 (medium) and 3 (high).
3. Use the included plastic knobs to tighten/loosen a bolt on either the right side or left side of the machine to adjust vertical tilt.

⚠ CAUTION The fan should always be switched off when making this adjustment.

4. Turn the Speed Control Knob to "0" and unplug the fan after use.


⚠ WARNING Never touch the blade with hand or any other objects when the fan is operating.

CLEANING

CARE AND CLEANING

Machine will need more frequent cleaning if being used in an environment with high particle pollution.

- Always disconnect the fan from mains socket before cleaning.
- Avoid contact with moving fan parts.
- Use only a soft damp cloth to clean the fan.
- DO NOT immerse the fan in water and never allow water to drip into the motor housing.
- Never spray the appliance with liquids or submerge it in water or other liquid.
- DO NOT use gasoline, paint thinner or other chemicals to clean the fan.
- Ensure that the fan is switched off from the supply mains before removing the grill.
- Clean the fan blade and grills with a soft damp cloth.

 **CAUTION** The fan blade may have sharp edges. Handle with extreme care.

- Store the fan in its original box or cover the fan to protect it from dust in a dry place if it will not be used for a long period of time.

SPECIFICATIONS

SPECIFICATIONS

Power Supply: AC 120V ~ 60Hz

Power Consumption: 12 Inch-40W; 18 Inch-110W

Operation Temperature: 32°F - 104°F (5°C - 40°C)

NOTE: Proof of purchase is required for all warranty claims.

NOTE: As a result of continual improvements, the design and specifications of the product within may differ slightly to the unit illustrated on the packaging.



SCAN CODE TO
LEAVE A REVIEW

THANK YOU FOR YOUR PURCHASE!

As a small business, reviews are everything!

We'd love to hear how you are enjoying your Perfect Aire product!
Please take a minute to tell us (and others) about your experience.

Thanks (again!)



5401 Dansher Road
Countryside, IL 60525

844-4PA-AIRE | 844-472-2473 | support@perfectaire.us
CANADA SUPPORT 877-997-2473 | supportcanada@perfectaire.us
www.perfectaire.us