



OWNER'S MANUAL

OIL-FILLED RADIATOR HEATER

25" 7-FIN | 1500/900/600W



MODEL 1PHL25M

CONTENTS

SAFETY INFORMATION	4
UNPACKING AND SET-UP INSTRUCTIONS.....	7
OPERATING INSTRUCTION	7
ADDITIONAL FEATURES	9
MAINTENANCE	9
STORAGE	9
TROUBLESHOOTING.....	10

SPECIFICATIONS:

Voltage Rating: 120 V (60Hz) 12.5 Amps

Power Consumption: 1500W

IMPORTANT NOTE:

Read the manual carefully. Make sure to save this manual for future reference. Illustrations in this manual are for explanatory purposes only, your actual product may look slightly different.

SAFETY INFORMATION


⚠ WARNING Read and understand this entire owner's manual, including all safety information, before plugging in or using this product. Failure to do so could result in fire, electric shock, or serious personal injury.

IMPORTANT INSTRUCTIONS

When using this electric unit, basic safety precautions should always be followed to reduce the risk of fire, electric shock, and injury to persons, including the following:

1. Read ALL instructions before using this unit.
2. **CAUTION:** Risk of Electric Shock. DO NOT open or try to repair the heater yourself.
3. This heater may get hot when in use. To avoid burns, DO NOT let bare skin touch hot surfaces. If provided, use handle(s) when moving this heater. DO NOT place it against walls, furniture, curtains, etc.
4. The output of this heater may vary and its temperature may become intense enough to burn exposed skin. Use of this heater is not recommended for persons with reduced sensitivity to heat or an inability to react to avoid burns.
5. Keep combustible materials, such as furniture, pillows, bedding, paper, clothes, and curtains at least 3 ft from the front of the heater and keep them away from the sides, top, and rear. DO NOT place towels or other objects on the heater.
6. Extreme caution is necessary when any heater is used. Do not leave invalids or children unattended with an operating heater. Do not leave heaters unattended when in use.
7. Always unplug heater when not in use.
8. DO NOT operate any heater with a damaged cord or after the heater malfunctions, has been dropped, or damaged in any manner. Discard damaged heater or return heater to authorized service facility for examination, electrical or mechanical adjustment, or repair.
9. This heater is not intended for use in bathrooms, laundry areas, showers or swimming pools and similar locations. NEVER locate heater where it may fall into a bathtub or other water container. To protect against electrical hazards, DO NOT immerse in water or other liquids.
10. DO NOT touch the control panel or plug with a wet hand.
11. DO NOT run cord under carpeting. DO NOT cover cord with throw rugs, runners, or similar coverings. Do not route cord under furniture or appliances. Arrange cord away from traffic area and where it will not be tripped over.
12. DO NOT insert or allow foreign objects to enter any ventilation or exhaust opening as this may cause an electric shock or fire or damage the heater.

13. To prevent a possible fire, DO NOT block the air intakes or exhaust in any manner. DO NOT use on soft surfaces, like a bed, where openings may become blocked.
14. A heater has hot and arcing or sparking parts inside. DO NOT use in areas where gasoline, paint, explosive and/or flammable liquids are used or stored. Keep unit away from heated surfaces and open flames.
15. To avoid fire or shock hazard, plug the unit directly into a 120 V AC electrical outlet.
16. To prevent overloading a circuit, do not plug the heater into a circuit that already has other appliances working.
17. It is normal for the plug to feel warm to the touch; however, a loose fit between the AC outlet (receptacle) and plug may cause overheating and distortion of the plug. Contact a qualified electrician to replace loose or worn outlet.
18. To disconnect heater, turn controls to OFF, then remove plug from outlet. Pull firmly on the plug, DO NOT unplug by pulling on the cord.
19. Always unplug the unit before moving or cleaning, or whenever the heater is not in use.
20. Use only for intended household use as described in this manual. Any other use not recommended by the manufacturer may cause fire, electric shock, or injury to persons. The use of attachments not recommended or sold by unauthorized dealers may cause hazards.
21. Always use on a dry, level surface. Use on floor only.
22. DO NOT use outdoors.
23. **WARNING:** To reduce the risk of fire or electric shock, DO NOT use this unit with any solid-state speed control device.
24. DO NOT attempt to repair or adjust any electrical or mechanical functions on this unit. Doing so will void your warranty. The inside of the unit contains no user service able parts.
25. Always use the product in an upright position.
26. This heater cannot achieve accurate temperature control of the environment, and thus cannot be used as insulation device for storage environment, items, animals and plants.
27. Use this heater only as described in this manual. Any other use not recommended by the manufacturer may cause fire, electric shock, or injury to persons.

 **CAUTION** Always plug heaters directly into a wall outlet. Never use with an extension cord or power strip.

TIP-OVER SAFETY FEATURE

This heater is equipped with a shut-off safety feature. Once the heater is tipped over, an internal switch will automatically shut the heater off. Once the heater is restored to an upright position, the heater will reset.

OVERHEAT SAFETY FEATURE

This heater is equipped with an overheat safety feature. When the heater's internal components reach a certain temperature that could cause overheating and possible fire, the heater will automatically shut off.

- A thermal overload protector is built in to prevent overheating. When an "overheat" temperature is reached, the heater will automatically shut off. Operation can resume only when the user resets the unit.
- To reset the unit, unplug the heater, ensure the power is turned off, and wait 15 to 20 minutes for the unit to cool down.
- Follow OPERATING INSTRUCTIONS to return heater to operating mode.

WARNING

It is normal for the power cord to feel warm to the touch; however, a loose fit between the outlet and the plug may cause overheating of the plug. If this occurs, try inserting the plug into a different outlet. Contact a qualified electrician to inspect the original outlet for damage.

UNPACKING AND SET-UP INSTRUCTIONS

Unpack your heater and find the wheel holding plates and butterfly nuts between the fin assemblies.

1. Make sure the heater is unplugged and the power and setting control is in the "0" OFF position.
2. TURN THE HEATER UPSIDE DOWN.
3. Attach the wheel holding plates onto the heater as Fig.1 shows. One is fixed between the last two fins and the other one is fixed next to metal control box.
4. Insert the butterfly nuts and tighten them securely.
5. TURN THE HEATER UPRIGHT.

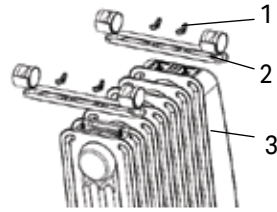


Fig.1

NO.	DESCRIPTION
1	Butterfly nuts
2	Wheel holding plate
3	Radiator

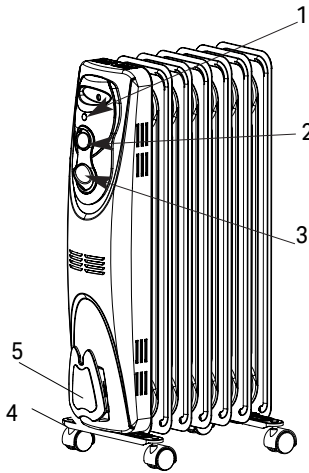
Your heater is now ready to use.

⚠ CAUTION Risk of fire – Do not operate heater without wheel assemblies attached. Operate heater in upright position only (wheels on bottom, controls on top). Any other position could create a hazardous situation.

OPERATING INSTRUCTION

⚠ WARNING

Your heater is equipped with a polarized alternating current line plug (a plug having one blade wider than the other). This plug will fit into the power outlet only one way. This is a safety feature. If you are unable to insert the plug fully into the outlet, try reversing the plug. If the plug should still fail to fit, contact your electrician to replace your outlet. **DO NOT** defeat the safety purpose of the polarized plug.



NO.	DESCRIPTION
1	Power Indicator Light
2	Thermostat Control
3	Power and Setting Control
4	Caster Wheels
5	Cord wrap

- Place the heater on a firm level surface free from obstructions, and at least 3ft. away from any wall and any other objects such as furniture, curtains, plants or combustible material.
- With the Power and Setting Control " 3 " in the " OFF " position, plug the heater into a grounded 120V outlet.
- Turn the heater "ON" by turning the Power and Setting control " 3 " clock-wise to your desired power setting (LOW, MED, HIGH). The Power Indicator Light " 1 " will illuminate.
- Turn the Thermostat Control " 2 " to your desired setting from "MIN" to "MAX".

Setting for Optimum Comfort: When the room reaches a comfortable temperature, slowly turn the Thermostat Control " 2 " counter-clockwise until the heater turns off. This is the point at which the thermostat setting equals the room temperature. At this setting, the thermostat will automatically turn the heater on and off to maintain this selected temperature.

NOTE: This heater include a safety tip over switch, which will shut the heater off in case it is tipped over. If at any time, the heater does tip over, please put the heater back in the upright position (wheels on bottom, controls on top). The heater will resume its normal operation.

ADDITIONAL FEATURES

This heater has additional features:

- **Cord Wrap**
Neatly stores power cord when the heater is not used.
- **Convenient Carry Handles**
- **Heavy-Duty Caster Wheels**
Allows for easy maneuvering from room to room.

MAINTENANCE

1. Turn the **POWER KNOB** to the **OFF** position.
2. Unplug the unit and let it cool completely.
3. To keep the heater clean, the outer shell may be cleaned with a soft, damp cloth. Do not use any cleaning agents or detergents.
4. After cleaning, dry the unit with a soft cloth.
5. Wait until the unit is completely dry before use.

WARNING

- **DO NOT** let liquid enter the heater.
- **DO NOT** use alcohol, gasoline, abrasive powders, furniture polish, or rough brushes to clean the heater. This may cause damage or deterioration to the surface of the heater.
- **DO NOT** immerse the heater in water.

STORAGE

Store the heater in a cool, dry location when not in use. To prevent dust and dirt build-up, use the original packaging to repack the unit.

TROUBLESHOOTING

If your heater fails to operate, please follow these instructions:

1. Ensure that your circuit breaker or fuse is working properly.
2. Be sure the heater is plugged in and that the electrical outlet is working properly.
3. Check for any obstruction. If you find any obstruction, turn the heater "OFF".
4. Unplug the heater and wait a few minutes for it to cool down. Carefully remove the obstruction. Plug the heater in and turn it on again by referring to the OPERATING INSTRUCTIONS.

NOTICE: The product is equipped with an **overheat safety feature** protector which will switch off the heater in case of accidental over heating (*ex. Obstruction of air intake and outlet grills, motor turning slowly or not at all*).

NOTICE: The product is equipped with **tip-over switch** inside. When the product tips over abnormally during its use, it can cut off power automatically.



5401 Dansher Road
Countryside, IL 60525

844-4PA-AIRE | 844-472-2473 | support@perfectaire.us

CANADA SUPPORT 877-997-2473 | supportcanada@perfectaire.us

www.perfectaire.us