



2-IN-1 CLIP-ON OR TABLE FAN

USER MANUAL

FOR MODEL:
1PAFD6



Before using your fan, please read this manual carefully and keep it for future reference, along with your receipt.

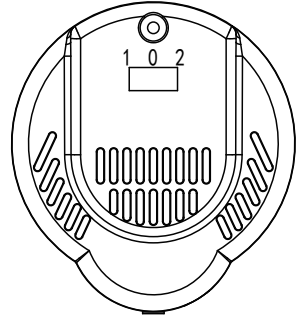
IMPORTANT INSTRUCTIONS

CAUTION

Read Rules for Safe Operation and Instructions Carefully.

WARNING

1. To reduce the risk of fire or electric shock, do not use this fan with any solid-state speed control device.
2. This appliance has a polarized plug (one blade is wider than the other). To reduce the risk of electric shock, this plug is intended to fit in a polarized outlet only one way. If plug does not fit fully in the outlet, reverse plug. If it still does not fit, contact a qualified electrician. Do not tamper with this safety feature.
3. Do not leave the fan running unattended.



FAN SPEED CONTROL

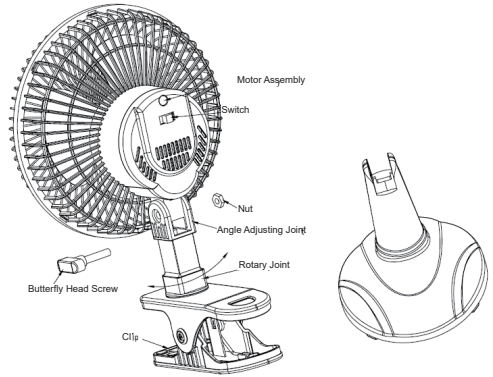
RULES FOR SAFE OPERATION

1. Never insert fingers or any other object through the guard when fan is running.
2. Unplug fan when it's not in use, when moving it from one location to another, or when removing guards for cleaning.
3. Be sure fan is clipped onto correct place as indicated in clipping instruction below.
4. Do not use fan in window; rain may create an electrical hazard.
5. Important information about the cord and plug below:
 - (1) This product employs an overload protection fuse. A blown fuse indicates an overload or short-circuit. If the fuse blows, unplug the product from the outlet. Replace the fuse as per the User Servicing Instructions (follow product marking for proper fuse rating) and check the products. If the replacement fuse blows, a short-circuit may be present and the product should be discarded; you can also call a certified electrician for examination and/or repair.
 - (2) Do not operate any fan with a damaged cord or plug. Discard fan or return to an authorized service facility for examination and/or repair.
 - (3) Do not run cord under carpeting. Do not cover cord with throw rugs, runners, or similar coverings. Do not route cord under furniture or appliances. Arrange cord away from traffic area where it will not be tripped over.

FAN ASSEMBLY

To convert the clip fan into a desk fan:

1. Disassemble the clip by loosening the butterfly head screw.
2. Attach plastic base to the fan head, match locking tab to base, click into position.
3. Tighten the butterfly head screw to secure.



To convert from the desk fan to a clip fan:

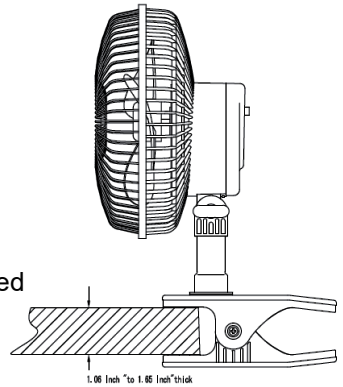
1. Detach Butterfly Head screw from base of the fan.
2. Remove base and attach clip to the fan head.
3. Tighten the screw into the clip base to secure the fan to the clip.

ASSEMBLY INSTRUCTIONS

Attach the motor assembly to the angle adjusting joint with the butterfly head screw and nut.

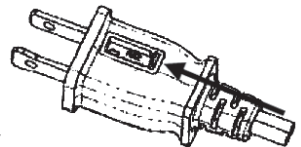
OPERATING INSTRUCTIONS

1. Fan speed is controlled by the rotary switch: 1(Low)–0(Off) – 2(High), the air flow can be adjusted upward or downward by loosening the angle adjusting joint. Retighten knob securely.
2. The direction of air flow can be adjusted by turning the rotary joint.
3. Plug the power supply cord into a wall outlet.



USER SERVICING INSTRUCTIONS

1. Grasp plug and remove from the outlet. Do not unplug by pulling on the cord.
2. Open fuse cover. Slide the fuse cover located on top of the attachment plug towards blades.
3. Remove fuse carefully. Push the fuse from the other side or turn fuseholder over to remove fuse.
4. **Risk of Fire.** Replace fuse only with 2.5 Amp, 125 Volt fuse.
5. Close fuse cover. Slide the fuse cover located on top of attachment plug away from the blades.
6. **Risk of Fire.** Do not replace attachment plug. Contains a safety device (fuse) that should not be removed. Discard product if the attachment plug is damaged.

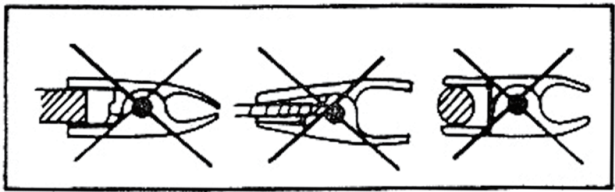


Notice:

1. When you replace the fuse, please don't operate suddenly or overexert, or else the product will be damaged or cause an accident.
2. If you feel it's hard to replace the fuse, please make sure you have it inserted the right way.

CLIPPING INSTRUCTIONS

1. Place the clip onto a secure structure. The clip can accommodate a 1.06" to 1.65" thick structure.
2. Fig. 1 through Fig. 3 illustrate the wrong way to clip to a structure and the wrong kind of structures to clip. Clip as shown to reduce the risk of damage.



(Fig. 1)

(Fig. 2)

(Fig. 3)

CLEANING

1. Be sure to unplug from the electrical supply source before cleaning.
2. Plastic parts should be cleaned with mild soap and damp cloth or sponge. Thoroughly remove soap film with clean water.
3. Be sure not to get water or other liquid into the motor housing.

SERVICE & SUPPORT

In the event of a warranty claim or if service is required for this product, please contact us at:

Toll Free: 844-4PA-AIRE / 844-472-2473

Email us at: support@perfectaire.us

For questions or comments, please write to:

Perfect Aire

Customer Care Center

5401 Dansher Rd

Countryside, IL 60525

For your records, staple your sales receipt to this manual and record the following:

DATE OF PURCHASE: _____

PLACE OF PURCHASE: _____

(STAPLE SALES RECEIPT HERE)

**NOTE: PROOF OF PURCHASE IS REQUIRED FOR ALL
WARRANTY CLAIMS
PRINTED IN CHINA**

Distributed by:



Perfect Aire, LLC
5401 Dansher Rd.
Countryside, IL 60525

844-4PA-AIRE | 844-472-2473
www.perfectaire.us

PA/User_1PAFD6/05222020

Specification and performance data is subject to change without notice.

Printed in China