



OSCILLATING PARABOLIC HEATER

USER MANUAL

FOR MODEL:
1PHCF14



Before using your oscillating parabolic heater please read this manual carefully and keep it for future reference, along with your receipt.

Thank you for choosing our Dish Heater. This owner's manual will provide you with valuable information necessary for the proper care and maintenance of your new product. Please take a few moments to thoroughly read the instructions and familiarize yourself with all the operational aspects of your new heater.

IMPORTANT INSTRUCTIONS

When using this electric unit, basic safety precautions should always be followed to reduce the risk of fire, electric shock, and injury to persons, including the following:

1. Read ALL instructions before using this unit.
2. **CAUTION:** Risk of Electric Shock. DO NOT open or try to repair the heater yourself.
3. This heater may get hot when in use. To avoid burns, DO NOT let bare skin touch hot surfaces. If provided, use handles when moving this heater.
4. Keep combustible materials, such as furniture, pillows, bedding, paper, clothes, and curtains at least 3 ft from the front of the heater and keep them away from the sides, top, and rear. DO NOT place towels or other objects on the heater.
5. Extreme caution is necessary when any heater is used by or near children or the disabled, or when the heater is left operating and unattended.
6. DO NOT operate any heater with a damaged cord or after the heater malfunctions, has been dropped or damaged in any manner. Return heater to authorized service facility for examination, electrical or mechanical adjustment, or repair.
7. This heater is not intended for use in bathrooms, laundry areas and similar indoor locations. NEVER locate heater where it may fall into a bathtub or other water container. To protect against electrical hazards, DO NOT immerse in water or other liquids.
8. DO NOT touch the control panel or plug with a wet hand.
9. DO NOT run cord under carpeting. DO NOT cover cord with throw rugs, runners, or similar coverings. Arrange cord away from traffic area and where it will not be tripped over.
10. DO NOT insert or allow foreign objects to enter any ventilation or exhaust opening as this may cause an electric shock or fire, or damage the heater.
11. To prevent a possible fire, DO NOT block the air intakes or exhaust in any manner. DO NOT use on soft surfaces, like a bed, where openings may become blocked.
12. A heater has hot and arcing or sparking parts inside. DO NOT use in areas where gasoline, paint, explosive and/or flammable liquids are used or stored. Keep unit away from heated surfaces and open flames.
13. Always plug heaters directly into a wall outlet receptacle. Never use with an extension cord or relocatable power tap (outlet/power strip).

14. To avoid fire or shock hazard, plug the unit directly into a 120 V AC electrical outlet.
15. To disconnect heater, turn controls to OFF, then remove plug from outlet. Pull firmly on the plug, DO NOT unplug by pulling on the cord.
16. Always unplug the unit before moving or cleaning, or whenever the heater is not in use.
17. Use only for intended household use as described in this manual. Any other use not recommended by the manufacturer may cause fire, electric shock, or injury to persons. The use of attachments not recommended or sold by unauthorized dealers may cause hazards.
18. Always use on a dry, level surface. Use on floor only.
19. DO NOT use outdoors.
20. WARNING: To reduce the risk of fire or electric shock, DO NOT use this unit with any solid-state speed control device.
21. DO NOT attempt to repair or adjust any electrical or mechanical functions on this unit. Doing so will void your warranty. The inside of the unit contains no user serviceable parts. Qualified personnel should perform all servicing only.

SAVE THESE INSTRUCTIONS

SPECIFICATIONS

Voltage Rating	120V (60Hz)
Power Consumption	800W
Current:	Maximum continuous draw:6.67 Amps
Power:	Low heat=400W High heat =800W

SAFETY FEATURES

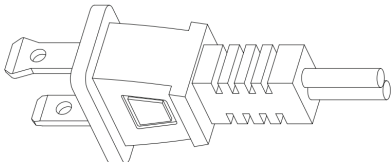
Tip-Over Safety Feature

This heater is equipped with a tip-over safety feature. Once the heater is tipped over, an internal switch will automatically shut the heater off. Once the heater is restored an upright position, the heater will reset. To continue operation, turn on the heater using the supplied remote control or the control panel on the heater.

Overheat Safety Feature

This heater is equipped with a overheat safety feature. When the heaters internal components reach a certain temperature that could cause overheat and possible fire, the heater will automatically shut off.

WARNING: It is normal for the power cord to feel warm to the touch; however, a loose fit between the outlet and the plug may cause overheating of the plug. If this occurs, try inserting the plug into a different outlet. Contact a qualified electrician to inspect the original outlet for damage.

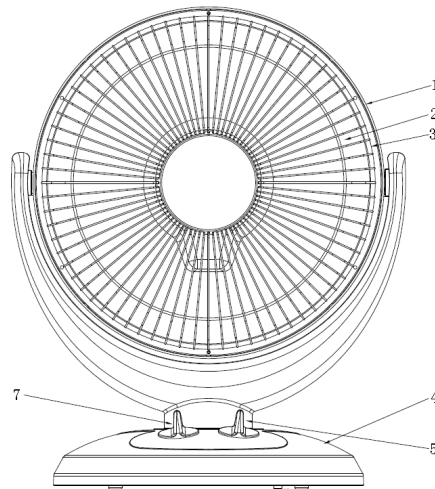
	<p>THIS APPLIANCE HAS A POLARIZED PLUG (one blade is wider than the other). To reduce the risk of electric shock, this plug is intended to fit in a polarized outlet only one way. If the plug does not fit fully in the outlet, reverse the plug. If it still does not fit, contact a qualified electrician to install the proper outlet. DO NOT ATTEMPT TO MODIFY THIS PLUG OR DEFEAT THIS SAFETY FEATURE IN ANY WAY.</p>
---	--

IN THE BOX

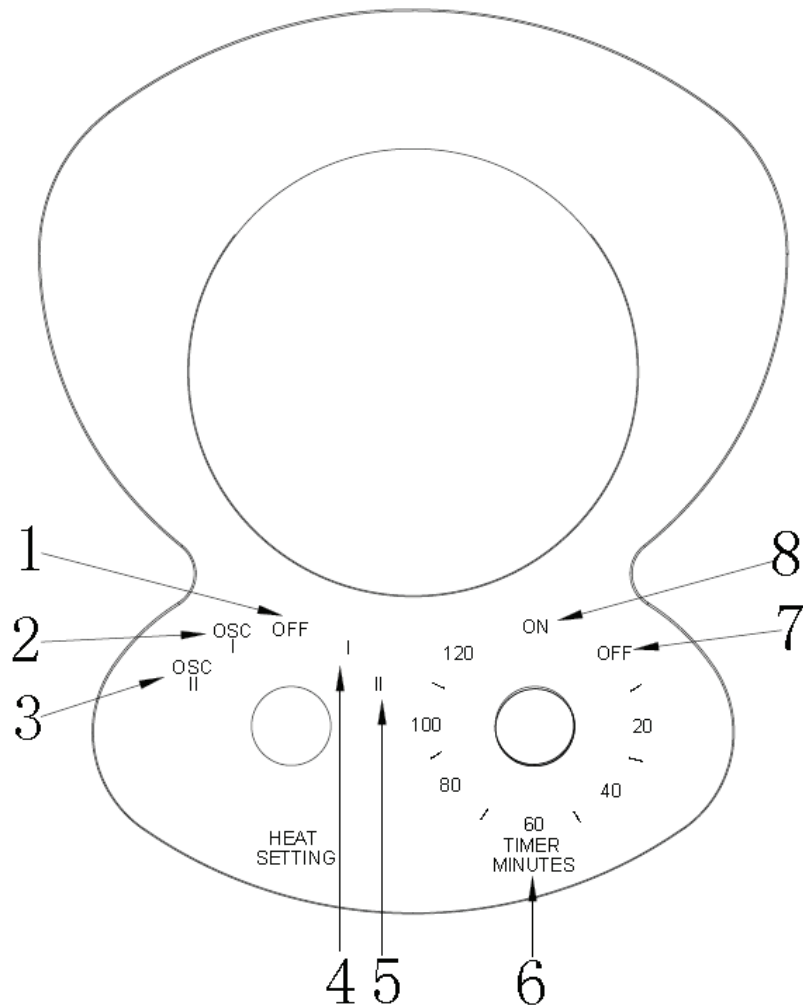
- DISH HEATER
- INSTRUCTION BOOKLET

PRODUCT DIAGRAM

1. Built-in Carrying Handle (in back)
2. Protective Front Grille
3. Parabolic Reflection Hood
4. Base
5. Timer Knob
6. Tip-over Safety Switch (on bottom)
7. Power Knob



Control Panel



1. Power Off
2. OSC & Low heat setting
3. OSC & High heat setting
4. Low heat setting
5. High heat setting
6. Timer knob
7. Timer Off
8. Timer normal open

PREPARATION

Place the heater on a firm, level surface and plug directly into a grounded 120V 60Hz power outlet.

OPERATING YOUR HEATER

1. Turn the power knob to the desired heat setting. (**Timer must be set in ON position**).
LOW: heating up to 400W
HIGH: heating up to 800W
OSC. LOW: heater will rotate left to right, and heat up to 400W
OSC. HIGH: heater will rotate left to right, and heat up to 800W
OFF: heater will stop operating
NOTE: Do not manually rotate heater. It should only be rotated using oscillation function.
2. To operate the timer, turn the timer knob clock- wise to the desired position. The value will vary from 0 to 2hr (10 minutes interval) in circulation. The heater will stop automatically after the set timer is reached.
3. To tilt the adjustable head, pull the reflection hood and gently tilt it forward or backwards until you hear a click. The reflection hood can be tilt into 4 positions.

CAUTION: When tilting the adjustment head, the heater must be turned off.

MAINTENANCE

1. Turn off the power switch.
2. Unplug the unit and let it cool completely.
3. To keep the heater clean, the outer shell may be cleaned with a soft, damp cloth. You may use a mild detergent if necessary. After cleaning, dry the unit with a soft cloth.
CAUTION: DO NOT let liquid enter the heater.
4. DO NOT use alcohol, gasoline, abrasive powders, furniture polish, or rough brushes to clean the heater. This may cause damage or deterioration to the surface of the heater.
5. DO NOT immerse the heater in water.

Wait until the unit is completely dry before use

TROUBLE SHOOTING

If the heater will not operate, please check the following before seeking repair of service:

1. Check if the power cord is plugged into an electrical outlet, if not, plug in.
2. Check if electricity to the outlet is working.

STORAGE

Store the heater in a cool, dry location when not in use. To prevent dust and dirt build-up, use the original packaging to repack the unit.

Distributed by:



Perfect Aire, LLC
5401 Dansher Rd.
Countryside, IL 60525

844-4PA-AIRE | 844-472-2473
www.perfectaire.us

PA/User_1PHCF14/05102019

Specification and performance data is subject to change without notice.

Printed in China