



Part No. 515500



MODEL T250S-F16P
16 Gauge Straight
Finish Nailer

IMPORTANT!
DO NOT DESTROY

It is the customer's responsibility to have all operators and service personnel read and understand this manual.

**OPERATING MANUAL AND
TOOL SCHEMATIC**

INTRODUCTION

The **PASLODE® T250S-F16P** finish nailer is a quality-built tool designed for use in residential trim applications. This tool will deliver efficient, dependable performance when used according to the manufactures guidelines. Please study this manual including the safety instructions to fully understand the operation of this tool.

TOOL AND FASTENER SPECIFICATIONS	3
SAFETY INSTRUCTIONS	4
TOOL OPERATION	5
EXPLODED VIEW AND SPARE PARTS LIST	10-11
ACCESSORIES	12

TOOL WARRANTY AND LIMITATIONS

Paslode warrants that newly purchased power fastening tools, parts and accessories will be free from defects in material and workmanship for the period shown below, after the date of delivery to the original user.

ONE-YEAR FULL WARRANTY

A one-year warranty will apply to all parts, except those which are specifically covered by an extended warranty.

FIVE-YEAR EXTENDED LIMITED WARRANTY

A five-year warranty will apply to all housing and cap assembly castings.

WARRANTY STATEMENT

This warranty is limited to tools sold and service requested in the United States. To obtain information on warranty service in the United States, refer to the Service Center listing that was provided with your tool.

Paslode's sole liability hereunder will be to replace any part or accessory which proves to be defective within the specific time period. Any replacement part or accessory provided in accordance with this warranty will carry a warranty for the balance of the period of warranty applicable to the part it replaces. This warranty does not apply to part replacement required due to normal wear.

This warranty is void as to any tool which has been subjected to misuse, abuse, accidental or intentional damage, use with fasteners, not meeting Paslode specification, size, or quality, improperly maintained, repaired with other than genuine Paslode replacement parts, damaged in transit or handling, or which, in Paslode's opinion, has been altered or repaired in a way that affects or detracts from the performance of the tool.

PASLODE MAKES NO WARRANTY, EXPRESSED OR IMPLIED, RELATING TO MERCHANTABILITY, FITNESS, OR OTHERWISE, EXCEPT AS STATED ABOVE, and Paslode's liability AS STATED ABOVE AND AS ASSUMED ABOVE is in lieu of all other warranties arising out of, or in connection with, the use and performance of the tool, except to the extent otherwise provided by applicable law. PASLODE SHALL IN NO EVENT BE LIABLE FOR ANY DIRECT, INDIRECT, OR CONSEQUENTIAL DAMAGES, INCLUDING, BUT NOT LIMITED TO, DAMAGES WHICH MAY ARISE FROM LOSS OF ANTICIPATED PROFITS OR PRODUCTION, SPOILAGE OF MATERIALS, INCREASED COST OF OPERATION, OR OTHERWISE.

Paslode reserves the right to change specifications, equipment, or designs at any time without notice and without incurring obligation.

TOOL AND FASTENER SPECIFICATIONS

TOOL SPECIFICATIONS

MODEL NO.	T250S-F16P (Part# 515500)
HEIGHT	11.6"
WIDTH	2.9"
LENGTH	12.3"
WEIGHT	3.9lbs.
OPERATING PRESSURE	80 to 120 p.s.i. (5.5 to 8.3 bars)

FASTENER SPECIFICATIONS

NAIL LENGTH	1" - 2-1/2"
SHANK DIAMETER	16 gauge

TOOL AIR FITTINGS:

This tool uses a 1/4" N.P.T. male plug. The inside diameter should be .28" (7mm) or larger. The fitting **must** be capable of discharging tool air pressure when disconnected from the air supply.

OPERATING AIR PRESSURE:

80 to 120 p.s.i. (5.5 to 8.3 bars). Select the operating air pressure within this range for best tool performance.

DO NOT EXCEED THIS RECOMMENDED OPERATING PRESSURE.

SAFETY INSTRUCTIONS

SAFETY FIRST

These safety instructions provide information necessary for safe operation of Paslode® tools. **DO NOT ATTEMPT TO OPERATE THE TOOL UNTIL YOU READ AND UNDERSTAND ALL SAFETY PRECAUTIONS AND MANUAL INSTRUCTIONS.**



WEAR EYE AND HEARING PROTECTION

Always wear hearing and eye protection devices, that conform to ANSI Z87.1 requirements, when operating or working in the vicinity of a tool. As an employer you are responsible for enforcing the use of eye protection. Wear hard hats in environments that require their use.



CARRY THE TOOL ONLY BY THE HANDLE

Always carry the tool by the handle only. Never carry the tool by the air hose or with the trigger depressed since you could drive a fastener unintentionally and injure yourself or someone else.

THE TOOL MUST BE USED ONLY FOR THE PURPOSE FOR WHICH IT WAS DESIGNED

Do not throw the tool on the floor, strike the housing in any way or use the tool as a hammer to knock material into place.

DO NOT WEAKEN THE TOOL HOUSING

The tool housing is a pressure vessel and should never be weakened by having your company's name, area of work or anything else stamped or engraved into its surface.

NEVER ENGAGE IN HORSEPLAY WITH THE TOOL

The tool is not a toy so do not use it like one. Never engage in horseplay with the tool or point it at yourself or any other person, even if you think it is not loaded.

DISCONNECT THE TOOL WHEN PERFORMING REPAIRS AND CLEARING JAMS

Never attempt to clear a jam or repair a tool unless you have disconnected the tool from the air line and removed all remaining fasteners from the tool.

NEVER ASSUME THE TOOL IS EMPTY

Check the magazine for fasteners that may be left in the tool. Even if you think the tool is empty or disconnected, never point it at anyone or yourself. Unseen fasteners could fire from the tool.

ALWAYS USE THE PROPER FITTING FOR THE TOOL

Only MALE pneumatic type air connectors should be fitted to the tool, so that high pressure air in the tool is vented to atmosphere as soon as the air line is disconnected.

NEVER CLAMP THE TRIGGER IN A LOCKED OR OPERATING POSITION

The trigger of the tool must never be tampered with, disabled or clamped in a locked or operating position since this will cause the tool to drive a fastener any time the work contacting element depressed.

NEVER install FEMALE quick disconnect couplings on the tool. Female couplings will trap high pressure air in the tool when the air line is disconnected, leaving the tool charged and able to drive at least one fastener.

DO NOT LOAD FASTENERS WITH THE AIR LINE CONNECTED, OR WITH THE TOOL TRIGGER OR WORK CONTACTING ELEMENT DEPRESSED

When loading fasteners into the tool be sure you disconnect the air line and that you do not depress the trigger or work contacting element.



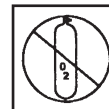
DO NOT EXCEED THE MAXIMUM RECOMMENDED AIR PRESSURE

Operate the tool only at the recommended air pressure. Do not exceed the maximum air pressure marked on the tool. Be sure the air pressure gauge is operating properly and check it at least twice a day.



OPERATE THE TOOL ONLY ON A WORKPIECE

The tool should be operated only when it is in contact with the workpiece. Even then you should be careful when fastening thin material or working near the edges and corners of the workpiece since the fasteners may drive through or away from the workpiece.



Never use any bottled air or gases such as oxygen to operate the tool since they could cause the tool to explode. Do not operate in explosive atmospheres.

DO NOT DISABLE OR REMOVE THE WORK CONTACTING ELEMENT

This tool is equipped with a safety mechanism, called a work contacting element, to help prevent accidental firing. Never tamper with, disable or remove the work contacting element. Do not use the tool unless the work contacting element is working properly. The tool could fire unexpectedly.

INSPECT TOOL FOR PROPER OPERATION

USE ONLY PASLODE RECOMMENDED PARTS AND FASTENERS

Use only parts and fasteners specifically designed and recommended by Paslode for use in the tool and for work to be done. Using unauthorized parts and fasteners or modifying the tool in any way creates dangerous situations. Replace all missing warning labels. Refer to tool schematic for correct placement and part number.

⚠ WARNING

Failure to follow any of the above instructions could result in severe personal injury to tool user and bystanders or cause damage to tool and property.

Contact your local Paslode Representative for presentation of Paslode's Safety Awareness Program

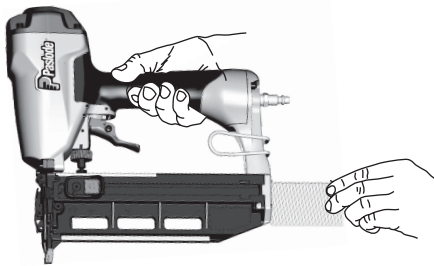
TOOL OPERATION

Fasteners

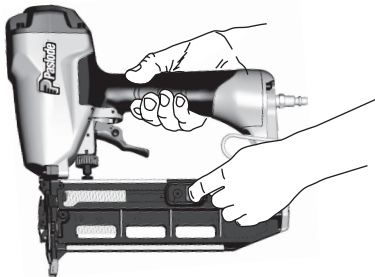
The Paslode T250S-F16P Finish Nailer drives Paslode® 16 gauge fasteners designed to be used with the tool. The use of fasteners that do not meet Paslode standards could cause tool damage and will void all warranty claims.

Loading Fasteners

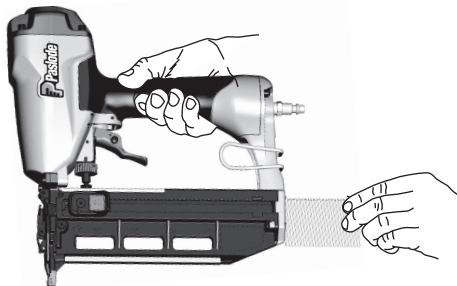
STEP 1: Align the heads of the Paslode 16 ga. Finish nails to the brad channel in the rear of the magazine and insert one or two strips. Push the nails strips forward.



STEP 2: Next, pull the follower toward the rear of the magazine until the follower passes the last strip of fasteners. Release the follower and let the follower push the nails forward into the nose of the tool.



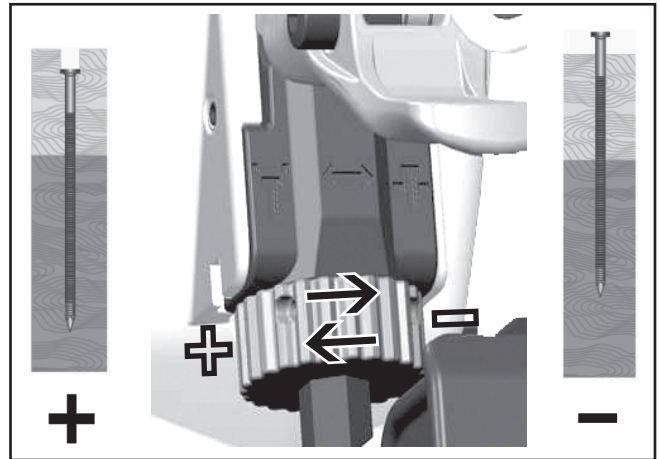
When the follower reaches the reload area, marked on the side of the magazine, you may insert a new strip of nails. When the follower arrow reaches the lockout area the tool automatically locks the tool to prevent the tool from operating. To unlock the tool, simply reload another strip of nails.



Depth of Drive Adjustment

Disconnect the air supply.

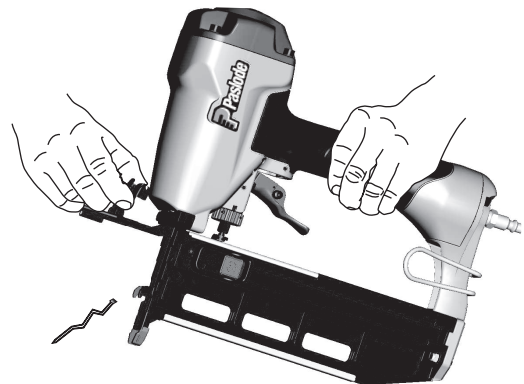
The depth of drive adjustment is done by turning the adjustment wheel located below the trigger.



Clearing a Jam

An occasional problem you may encounter is a jammed fastener. Because of the unique design of the Paslode Finish Nailer, clearing a jammed fastener is easy:

1. Disconnect the air supply.
2. Pull the latch, releasing front guide. Pivot front guide forward.
3. Clear jam, and push driver blade back up to its normal position.
4. Close front guide and latch it. Check that work contacting element moves freely.



Lockout Feature

The purpose of this feature is to prevent needless blank cycling, which could mar woods and damage tool components. Ten (10) nails will be left in the magazine when the follower reaches the lockout area. When changing fastener length or loading at the beginning of the work day, you should inspect the magazine and nose for any fasteners left in the tool. These nails will not be visible unless you open the nose of the tool.

TOOL OPERATION

Trigger Methods:

The Paslode T250S-F16P Finish Nailer has a triggering system that can be switched from sequential to contact trip. To switch the trigger, press in the round button on the left side of the trigger and rotate the right side of the button to the desired triggering method. The TTT indicates contact trip and the T indicates sequential operation.

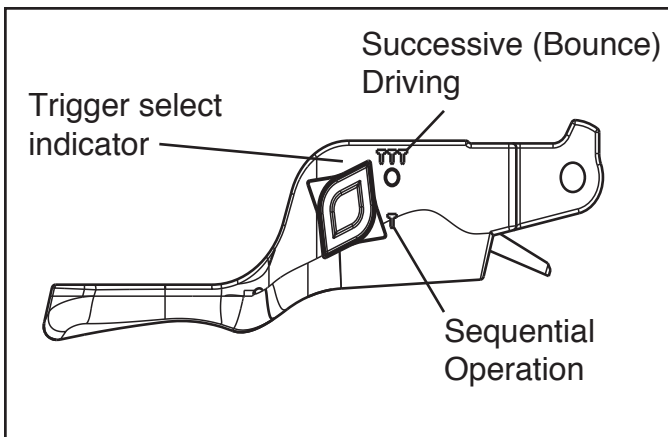
Successive (Bounce) Driving - TTT

Grasp the handle firmly.

Squeeze the trigger and move the tool along the workpiece with a bouncing motion, depressing the work contacting element at the points where you want to drive a fastener.

Keep the trigger depressed and continue to bounce the work contacting element against the workpiece, positioning the tool above as carefully as possible.

When the desired number of fasteners have been driven, release the tool trigger to avoid unintentional fastener discharge.



Sequential Operation - T

The sequential setting T prevents successive or "bounce" driving.

Depress the work contacting element and hold it against the work surface before pulling the trigger.

After each fastener is driven, completely release the trigger and lift the tool from the work surface.



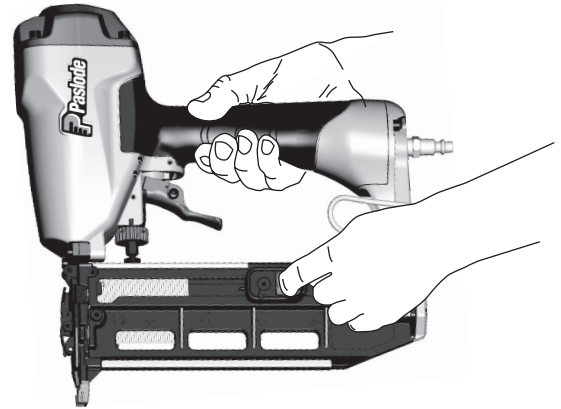
WARNING



Do not clamp or hold trigger with anything other than your hand.

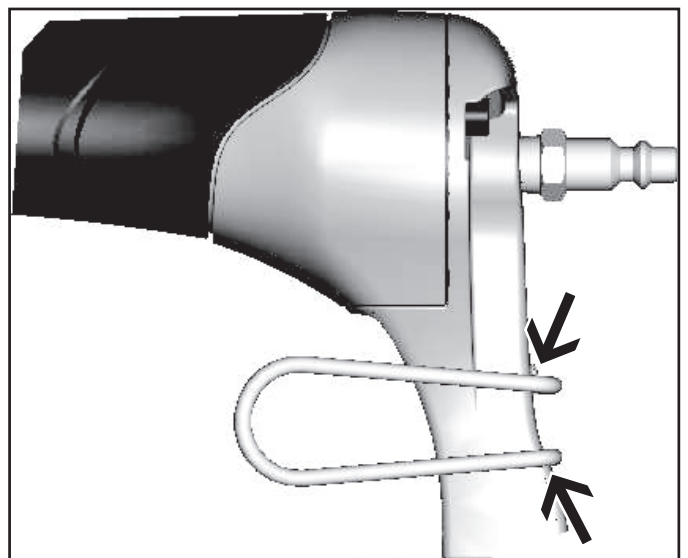
Unload Nails:

To unload nails, simply pull the follower to the rear of the magazine and press the center lock button on the follower. The lock will move the follower out of the way and allow nails to slide past the follower and out of the rear of the magazine. To release the lock simply pull the follower back and the lock button will release and allow the follower to move forward.



Reversible Belt Hook:

The belt hook can be changed from the left hand side of the tool to the right hand side. To change the position, squeeze the base of the belt hook and remove it from the tool and position it on the desired side.



MAINTENANCE



Paslode® tools are built for ease of maintenance. A few simple details will assure trouble-free operation and long tool life. Anyone who uses or maintains the tool must read the safety and maintenance instructions. Study the schematic drawing before starting any repairs on the tool.

Air-operated tools must be inspected periodically, and worn or broken parts must be replaced to keep the tool operating safely and efficiently. Also the items on the maintenance chart must be checked often.

Cold Weather Care

When temperatures are below freezing, tools should be kept warm by any convenient, safe method. If this is not possible, the following procedure should be used to warm up the tools.

- Reduce the regulated air pressure to 30 psi.
- Remove all fasteners from the tool.
- Collect an air line and blank fire the tool. The reduced air pressure will be enough to free-fire the tool. Slow speed operation tends to warm up the moving parts. Slowing up the piston helps the bumper and the O-rings to become springy.

 CAUTION 
Never free-fire the tool at high pressure.

- Once the tool is warmed up, readjust the regulator to the proper working pressure and reload the tool.
- Open the drain on the air compressor tank to drain any moisture at least daily in extremely cold or humid weather. A few ounces of anti-freeze in the tank will keep the air free of frost.



Testing the Tool After Servicing

After replacing any part or parts, it is important to check the tool for proper operation. This ensures that the tool was put together correctly, is safe to use, and will perform the job properly.

- Ensure that all hardware is tight.
- Ensure that the work contacting element is installed correctly in relation to the trigger, and that both parts move freely.
- Ensure that the magazine is properly attached.
- Ensure that the required safety information on the tool is legible.
- Use only Paslode approved fasteners in the tool, and ensure that they are correct for the application.
- Ensure that a male air fitting is securely connected to the tool.
- Test the tool by driving fasteners into a workpiece identical to the tool's application.
- Check the tool for air leaks during testing and for the proper sequence of operation.
- Ensure that all fasteners are driven to the same depth and that the crown of the fastener is flush with the workpiece.

Most minor problems can be resolved quickly and easily using the maintenance table that follows. If problems persist, contact your Paslode dealer for assistance.

MAINTENANCE

 CAUTION 
Disconnect the tool when performing repairs or clearing jams.

ACTION	WHY	HOW
Drain air line filter (daily).	Prevent accumulation of moisture and dirt.	Open manual petcock (most air supply systems have such a valve).
Clean filter element, then blow air through filter in direction opposite to normal flow.	Prevent clogging of filter with dirt.	Wash with soap and water or follow manufacturers instructions.
Check that all screws on tool are tight.	Prevent air leakage and promote efficient operation.	Check screws daily.
Keep work contacting element working properly.	Promote operator safety and efficient tool operation.	Blow clean daily.
Keep magazine and feeder mechanism clean.	Prevent jamming of fasteners.	Blow clean daily.
Use only Paslode replacement parts.	Keep tool operating efficiently and maintain Paslode tool warranty.	Order any replacement parts needed from Paslode Dealer.

OPERATOR TROUBLESHOOTING



CAUTION



Disconnect the tool when performing repairs or clearing jams.

PROBLEM	CORRECTIVE ACTION
Fasteners will not drive completely into wood.	<p>Adjust the depth of drive adjustment (retract length).</p> <p>Increase air pressure (do not exceed 120 psi).</p>
Fasteners penetrate properly during normal operation, but won't drive fully at faster speeds.	<p>Increase air flow to tool — use larger air lines (3/8 inch ID minimum).</p>
Fasteners drive too deeply into wood.	<p>Adjust the depth of drive adjustment (extend length).</p> <p>Reduce air pressure.</p>
Fastener jams in nose of tool.	<p>Open front guide latch, release jammed fastener, and close latch securely.</p>
Tool skips during operation - no fasteners are driven from time to time.	<p>Check magazine for proper fasteners. Magazine follower should slide freely. Clean as needed to remove debris.</p> <p>Make sure correct fasteners are being used. Use fasteners that meet Paslode® specifications only.</p> <p>Increase air flow to tool -- use larger air lines (3/8 ID minimum).</p> <p>Adjust work contacting element where available.</p>
Tool operates, but no fasteners are driven.	<p>Check magazine for proper fasteners. Fasteners should slide freely with no follower pressure.</p> <p>Open front guide latch and check for jams or debris in the nose area. Clear as necessary</p> <p>Increase air pressure (do not exceed 120psi).</p>
Air leaks at cap when tool is connected to air.	<p>Tighten cap screws.</p>

PARTS LEGEND

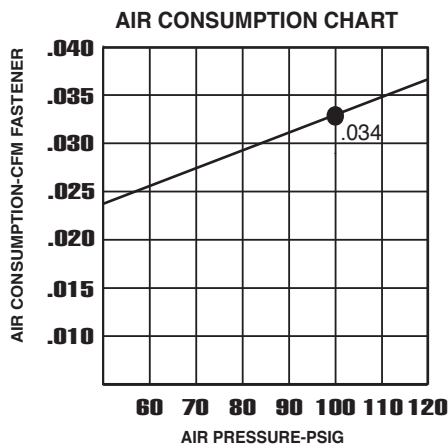
T250S-F16P

Part #515500

1	515501	7	Hex. Soc. Hd. Bolt	37	515537	1	Spring Pin
2	515502	1	Cap	38	515538	1	WCE
*3	515503	1	O-Ring	39	515539	2	Hex. Soc.Hd. Bolt
4	515504	1	Top Cap Ring	40	515540	1	Set Plate
5	515505	1	Hex. Soc. Hd. Bolt	41	515541	1	Nose
6	515506	1	Spacer	42	617456	1	Spring
7	515507	1	Piston Stopper	43	515543	1	Lock-out Lever
8	515508	1	Spring	44	515544	1	Spring Pin
*9	515509	1	Head Valve Assembly	45	515545	1	Spring Pin
*10	515510	1	O-Ring	46	515546	1	Upper Plate
*11	515511	2	O-Ring	47	515547	1	Nail Guide
*12	515512	1	Seal	48	515548	2	Hex. Soc.Hd. Bolt
*13	515513	1	Top Cap Seal	49	515549	1	Belt Hook
*14	515514	1	Collar	50	515550	1	Trigger Valve Assembly
*15	515515	1	Driver Blade Assembly	51	617780	1	Spring
*16	515516	1	Wear-Ring	52	515552	1	Selectable Trigger
*17	515517	1	O-Ring	53	515553	1	Magazine (Right)
18	515518	1	Cylinder	54	515554	1	Pusher
*19	515519	1	O-Ring	55	515555	1	Spring
*20	515520	1	Cylinder-Ring	56	515556	1	Spring Pin
*21	515521	1	O-Ring	57	515557	1	Pusher Seat Assembly
*22	515522	1	O-Ring	58	515558	1	Roll Spring
*23	515523	1	Bumper	59	515559	1	Magazine (Left)
24	515524	1	Housing	60	515560	2	Lock Nut
*25	515525	1	End Cap Seal	61	515561	1	Flat self-tapping Bolt
26	515526	1	End Cap	62	515562	1	Pusher Upper seat
27	615920	1	Air Plug	63	515563	1	Push Button
28	515528	4	Spring Pin	64	515564	1	Spring
29	515529	1	Bumper Seal	65	515565	2	UM. HD. Bolt
30	515530	1	Depth of Drive A	66	515566	1	Lower Plate
31	515531	1	WCE Connector	67	515567	2	Logo Label
32	403713	1	E-Ring	** 68	515568	1	Warning Label
33	515533	1	Latch Spring Assembly	69	515569	1	Model Label
34	515534	1	Latch	70	515570	1	Magazine Assembly
35	515535	1	Spring Pin	71	515571	1	Lock Label
36	515536	1	Door				

* Denotes Normal Wear Items.

** Make sure Warning Label (515568) is properly affixed. Replace if necessary.



SAFETY INSTRUCTIONS

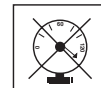
WEAR EYE AND HEARING PROTECTION

Always wear hearing protection and eye protection devices, including side shields when operating or working in the vicinity of a tool.



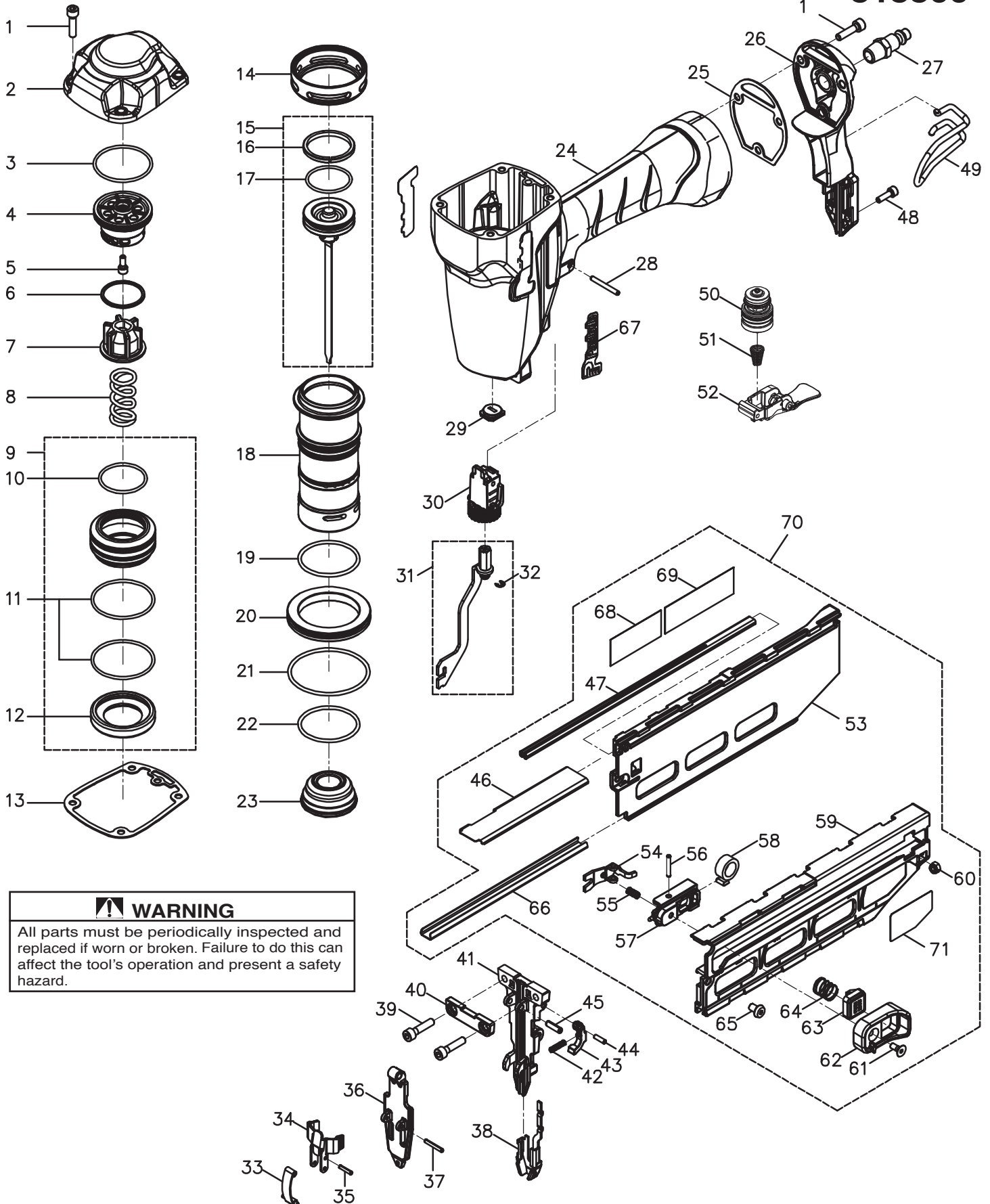
DO NOT EXCEED MAXIMUM RECOMMENDED AIR PRESSURE

Operate the tool using only the recommended air pressure. Do not exceed the maximum air pressure marked on the tool. Be sure the air pressure gauge is operating properly and check it at least twice a day.



Never use any bottled air or gases such as oxygen to operate the tool since they could cause the tool to explode.

T250S-F16P 515500



WARNING

All parts must be periodically inspected and replaced if worn or broken. Failure to do this can affect the tool's operation and present a safety hazard.

ACCESSORIES

Safety Glasses

Clear



Part No. 401382



An Illinois Tool Works Company
155 Harlem Avenue
Glenview, IL 60025

MODELO T250-F16P
Clavadora de Acabado
Recto de Calibre 16



¡IMPORTANTE!
NO DESTRUYE ESTE MANUAL

El cliente tiene la responsabilidad de que todo el personal de operaciones y servicio lea y entienda este manual.

Manual de Funcionamiento y
Esquema

INTRODUCCIÓN

La herramienta Paslode® T250-F16P es una herramienta de calidad, diseñada para uso en aplicaciones residenciales. Esta herramienta le provera confiabilidad y eficiencia cuando sea usada acorde con las reglas del fabricante. Lea cuidadosamente este manual y las instrucciones de seguridad para comprender como usar le herramienta correctamente.

CONTENIDO

ESPECIFICACIONES DE LA HERRAMIENTA Y SUS SUJETADORES.....	3
INSTRUCCIONES DE SEGURIDAD.....	4
INSTALACIÓN Y OPERACIÓN DE LA HERRAMIENTA.....	5
VISTA EXPANDIDA CON LISTADO DE PIEZAS.....	10-11
ACCESORIOS.....	12

TERMINOS DE LA GARANTIA

Paslode garantiza que sus herramientas mecánicas, sus piezas y accesorios, que hayan sido comprados nuevos, están libres de defectos de material y fabricación por el período indicado más abajo, a partir de la fecha de compra del comprador original.

GARANTÍA DE UN AÑO

La garantía de un año cubre todas las piezas, con excepción de aquellas cubiertas por la extensión de garantía.

GARANTÍA LIMITADA ADICIONAL DE CINCO AÑOS

La garantía de cinco años cubre todos los armazones y ensambles de las tapas.

DECLARACIÓN DE LA GARANTÍA

Esta garantía esta limitada a las herramientas vendidas y revisadas en los Estados Unidos. Para obtener mas información sobre el servicio de garantía en los Estados Unido, véa la lista de Centros de Servicio que fue proporcionada con su herramienta.

Paslode asume únicamente la responsabilidad de reponer cualquier pieza o accesorio que se compruebe como defectuoso dentro del período especificado. Cualquier pieza o accesorio de repuesto, entregado de conformidad con esta garantía, gozará de la garantía por el período restante de la garantía que cubría a la pieza o al accesorio originales. Esta garantía no cubre las piezas que necesitan ser repuestas como consecuencia de su desgaste normal.

Se cancelará esta garantía a cualquier herramienta que haya sido usada incorrectamente, dañada accidental o intencionalmente, usada con sujetadores que no reúnan las especificaciones, el tamaño o la calidad de Paslode, o a la que no se le haya dado el mantenimiento o el uso adecuado, o que haya sido reparada con piezas que no sean marca Paslode, o que en opinión de Paslode hayan sido modificadas o reparadas de manera que afecte o sea contraria al funcionamiento de la herramienta.

PASLODE NO OTORGA NINGUNA GARANTÍA EXPLÍCITA O IMPLÍCITA CON RESPECTO A LA COMERCIALIZACIÓN O ADAPTACIÓN AL USO PREVISTO, O DE CUALQUIER OTRA NATURALEZA, CON EXCEPCIÓN DE LO DECLARADO ANTERIORMENTE, y la responsabilidad de Paslode TAL COMO SE INDICA Y SE ASUME MÁS ARRIBA reemplaza a todas las otras garantías que resulten o estén relacionadas con el uso y funcionamiento de la herramienta, excepto según lo estipulen las leyes pertinentes. PASLODE NO SERÁ RESPONSABLE EN NINGÚN CASO POR NINGÚN DAÑO DIRECTO, INDIRECTO O CONSECUENTE INCLUYENDO, PÉRO SIN LIMITARSE, CUALQUIER DAÑO RESULTADO DE LA PÉRDIDA DE PRODUCCIÓN O GANANCIAS ANTICIPADAS, EL DETERIORO DE MATERIALES, AUMENTOS EN EL COSTO DE OPERACIÓN O CUALQUIER OTRO.

Paslode se reserva el derecho de cambiar las especificaciones, el equipo o los diseños en cualquier momento, sin aviso previo y sin incurrir en obligación alguna.

ESPECIFICACIONES DE LA HERRAMIENTA Y LOS SUJETADORES

ESPECIFICACIONES DE LA HERRAMIENTA

NO. de MODELO	T25O-F16P (Pieza# 515500)
ALTURA	295mm
ANCHO	74mm
LONGITUD	313mm
PESO	1.8kg
PRESIÓN de OPERACIÓN	80 hasta 120 p.s.i. (5,5 hasta 8,3 bar)

ESPECIFICACIONES de los SUJETADORES

LONGITUD DEL CLAVO	25mm-63mm
DIAMETRO DEL TALLO	16 Calibre

ACOPLAMIENTO DE AIRE:

Esta herramienta utiliza un tapón macho de 1/4" N.P.T. El acoplamiento debe ser capaz de descargar la presión de aire en la herramienta cuando sea desconectada del suministro de aire.

OPERACION de PRESIÓN de AIRE:

80 hasta 120 p.s.i. Seleccione una presión de aire dentro de esta gama para obtener el mejor rendimiento.

NO EXCEDA LA PRESIÓN DE AIRE RECOMENDADA.

INSTRUCCIONES DE SEGURIDAD

LA SEGURIDAD ESTA PRIMERO

Estas instrucciones proporcionan la información necesaria para el funcionamiento sin peligro de las herramientas Paslode. **NO trate de usar su herramienta hasta que no la haya leído y entendido todas las precauciones de seguridad y las instrucciones de este manual.**



PROTEJASE LOS OJOS Y LOS OÍDOS

Use siempre el equipo adecuado para protegerse los ojos y los oídos que sea conforme con ANZI Z87, mientras usa una herramienta o trabaja cerca de una herramienta en uso. Como empleador usted es responsable de imponer el uso de la protección de ojo. Lleve sombreros duros en los ambientes que requieren su uso.

USE SU HERRAMIENTA SOLAMENTE PARA EL PROPOSITO CON QUE FUE DISEÑADA

No arroje la herramienta al suelo; no golpee el armazón ni la use como un martillo.

NUNCA USE LA HERRAMIENTA PARA JUGUETEAR

Esta herramienta no es un juguete; por lo tanto no la trate como tal. Nunca juegue con ella, ni se apunte a usted mismo ni a otra persona, aun cuando crea que no está cargada.

NUNCA ASUMAQUE LA HERRAMIENTA ESTA VACIA

Verifique que haya sujetadores en el cargador. Aun cuando crea que está vacía o desconectada, nunca se apunte ni apunte a otra persona con la herramienta, porque podría dispararse un sujetador que no esté a la vista.

NUNCA SUJETE EL GATILLO EN LA POSICION DE CIERRE O DE FUNCIONAMIENTO

Nunca se debe manipular indebidamente o dejar inoperante el gatillo, o sujetarlo en la posición de cierre o de funcionamiento, porque se podría disparar un sujetador al oprimirse el elemento de contacto.

NO CARGUE SUJETADORES CUANDO LA LINEA DE AIRE COMPRIMIDO ESTE CONECTADA, O CUANDO EL GATILLO O EL ELEMENTO DE CONTACTO ESTE OPRIMIDO.

Antes de cargar sujetadores en la herramienta, verifique que la línea de aire comprimido esté desconectada y que ni el gatillo ni el elemento de contacto estén oprimidos.



USE LA HERRAMIENTA SOLAMENTE SOBRE UN MATERIAL DE TRABAJO

La herramienta debe funcionar sólo cuando esté en contacto con el material de trabajo. Debe tener mucho cuidado cuando el material sea delgado o trabaje cerca de las aristas del mismo, porque los sujetadores podrían atravesar o salirse del material.

NO DEJE INOPERANTE NI quite EL ELEMENTO DE CONTACTO

Esta herramienta está equipada con un mecanismo de seguridad, llamado elemento de contacto, para prevenir cualquier disparo accidental. Nunca manipule indebidamente, deje inoperante, ni quite el elemento de contacto. No use la herramienta a menos que dicho elemento funcione correctamente, porque podría producirse un disparo imprevisto.

DESCONECTE LA HERRAMIENTA CUANDO NO LA ESTE USANDO

Siempre desconecte la herramienta de la línea de aire comprimido cuando no la esté usando o al dejar su lugar de trabajo. Nunca la descuide, porque cualquier persona que no esté familiarizada con ella podría lastimarse o lastimar a otros.



TOME LA HERRAMIENTA SOLAMENTE POR EL MANGO

Siempre tome la herramienta sólo por el mango. Nunca la tome por la manguera o con el gatillo oprimido, porque se podría disparar un sujetador y herirlo o herir a otra persona.

NO ALTERE EL ARMAZON DE LA HERRAMIENTA

El armazón de la herramienta es un recipiente a presión y nunca se debe grabar en su superficie el nombre de su compañía, el del área de trabajo, ni ningún otro detalle.

DESCONECTE LA HERRAMIENTA PARA HACER REPARACIONES O ELIMINAR OBSTRUCCIONES

Nunca trate de eliminar obstrucciones o reparar una herramienta sin haberla desconectado de la línea de aire comprimido y quitado todos los sujetadores.

USE SIEMPRE LOS ADAPTADORES APROPIADOS PARA SU HERRAMIENTA

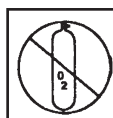
Se debe conectar a la herramienta solamente conectores neumáticos MACHOS, para permitir que el aire de alta presión salga tan pronto como se desconecte la línea de aire comprimido.

NUNCA coloque enlaces HEMBRAS de desconexión rápida en la herramienta, porque atrapan el aire a alta presión al desconectar la línea de aire comprimido, dejándola cargada y lista para disparar por lo menos un sujetador.



NO EXCEDA LA PRESION NEUMATICA MAXIMA RECOMENDADA

La herramienta debe funcionar sólo con la presión neumática recomendada. No exceda la presión neumática máxima marcada en la herramienta. Verifique por lo menos dos veces al día que el calibre de la presión neumática funcione correctamente.



Nunca use aire o gases envasado, como el oxígeno, para hacer funcionar la herramienta porque podrían hacer que explotara. No haga funcionar en atmósferas explosivas.

INSPECCIONE LA HERRAMIENTA PARA LA OPERACION APROPIADA

USE SOLAMENTE PIEZAS Y SUJETADORES RECOMENDADOS POR PASLODE

Use sólo piezas y sujetadores específicamente diseñados y recomendados por Paslode para usar con esa herramienta y para la tarea requerida. Si se usan piezas o sujetadores no autorizados o se modifica de alguna forma la herramienta, se pueden crear situaciones peligrosas. Vuelva a colocar todas las etiquetas de precaución que flaten. Consulte el diagrama de la herramienta sobre el número de cada parte y su ubicación correcta.

PELIGRO

La falta de observación de cualquiera de estas instrucciones puede ser causa de graves lesiones personales, tanto al operador de la herramienta como a quienes estén cerca de ella o de daños materiales o a la herramienta.

Comuníquese con el representante de Paslode sobre la presentación de Programa de Alerta sobre Seguridad.

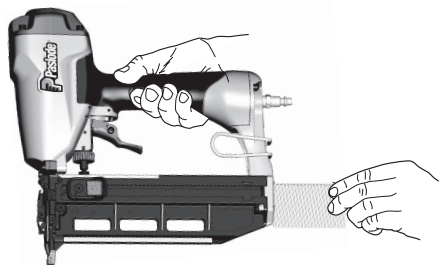
FUNCIONAMIENTO DE LA HERRAMIENTA

Sujetadores

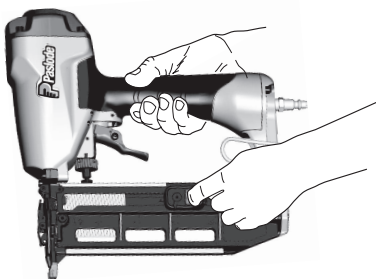
El pasador de acabado Paslode® T250S-F16P acciona pasadores Paslode® de calibre 16 diseñados para usarse con la herramienta. El uso de sujetadores que no cumplan los estándares de Paslode podría causar daños en las herramientas y anulará todas las reclamaciones de garantía.

Cargando sujetadores

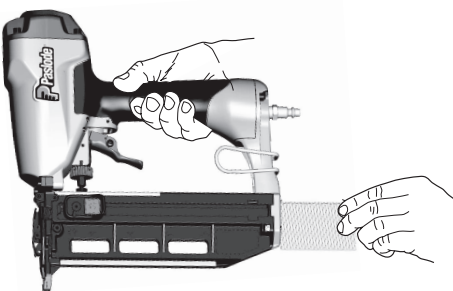
Paso 1: Alinee las cabezas de los clavos de acabado Paslode con el canal de clavitos plateado en la parte posterior del cargador e introduzca una o dos tiras. Empuje las tiras de clavos hacia adelante.



Paso 2: Tire del seguidor hacia la parte posterior del cargador hasta que el seguidor haya pasado la última tira de clavos. Suelte la palanca del seguidor y deje que el mismo mueva los clavos hacia adelante dentro de la boca de la herramienta.



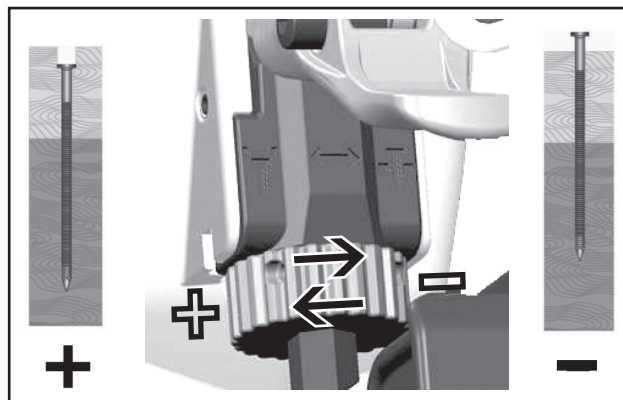
Paso 3: Cuando la flecha aparezca en el área de recarga, marcada en el lado del cargador, usted puede introducir una nueva tira de clavos. Cuando la flecha de seguidor alcance al área de bloqueo, la herramienta se bloquea automáticamente para evitar su funcionamiento. Para desenganchar la herramienta, recargue simplemente otra tira de clavos.



Ajuste de profundidad de Drive

Desconectar el suministro de aire.

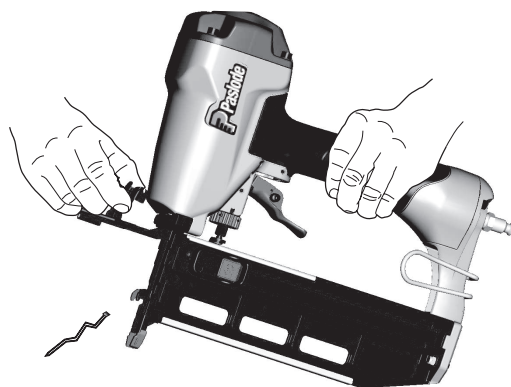
La profundidad de ajuste de accionamiento se hace girando la rueda de ajuste situado debajo del gatillo.



Para desatorar la clavadora

Un problema típico que puede encontrar es una clavadora con clavos atorados. Debido al diseño único de la clavadora Paslode, es muy sencillo sacar los clavos atorados:

1. Desconecte el aire.
2. Deslice el seguro para soltar la guía delantera y hágala pivotar hacia adelante.
3. Quite los clavos atorados y empuje la hoja del impulsador hacia atrás hasta la posición normal de retorno.
4. Cierre la guía delantera y asegúrela. Verifique que el elemento de contacto no esté obstruido.



Característica de bloqueo del proceso

El propósito de esta característica es evitar ciclos en blanco innecesarios, lo que podría dañar las maderas y dañar los componentes de la herramienta. Se colocarán 10 clavos en el cargador cuando el seguidor alcance el área de bloqueo. Cuando cambie la longitud o la carga del sujetador al principio del día de trabajo, debe inspeccionar el cargador y la nariz para los sujetadores que queden en el visible a menos que abra la nariz de la herramienta.

OPERACIÓN DE LA HERRAMIENTA

⚠ PELIGRO ⚠
No sujete ni sostenga el gatillo con ninguna otra cosa que no sea la mano.

Métodos de disparo:

El clavador de acabado Paslode T250S-F16P tiene un Sistema que se puede cambiar de secuencial a contacto viaje. Para activar el gatillo, pulse el botón redondo en el lado izquierdo del gatillo y gire el lado derecho. Del botón al método de activación deseado. El TTT Indica disparo de contacto y el T indica secuencia operación.

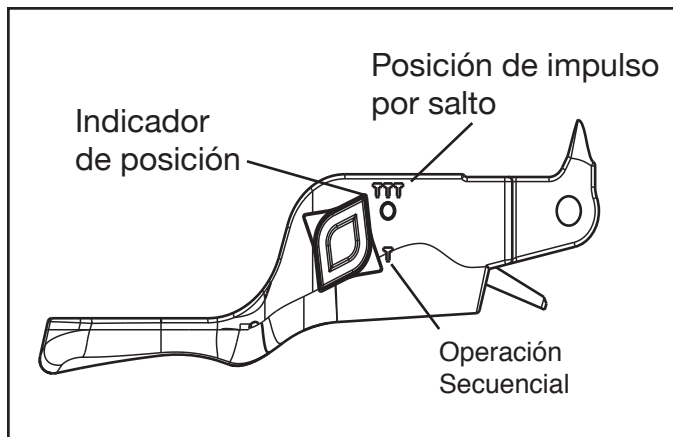
Sucesiva (Bounce) de conducción - TTT

Agarre firmemente el mango.

Apriete el gatillo y mueva la herramienta a lo largo de la pieza con un movimiento de rebote, deprimiendo el contacto de trabajo elemento en los puntos en los que desea abrochador.

Apriete el gatillo y mueva la herramienta a lo largo de la pieza

Cuando el número deseado de sujetadores ha sido dispare el gatillo de la herramienta para evitar descarga del sujetador.



Operación Secuencial - T

El ajuste secuencial T evita sucesivas o "rebote" conducción.

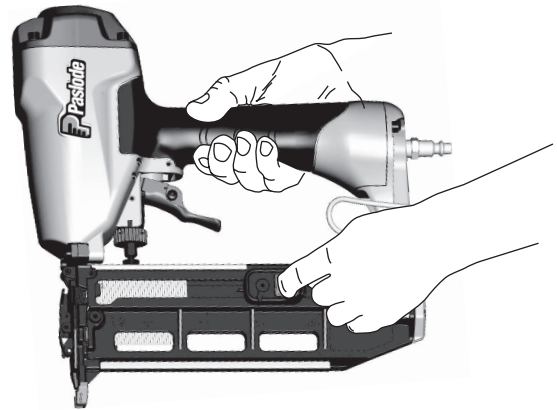
Presione el elemento de contacto de trabajo y manténgalo contra la superficie de trabajo antes de tirar del gatillo.

Después de accionar cada sujetador, libere completamente el disparo y levante la herramienta de la superficie de trabajo.

Quitar las Uñas

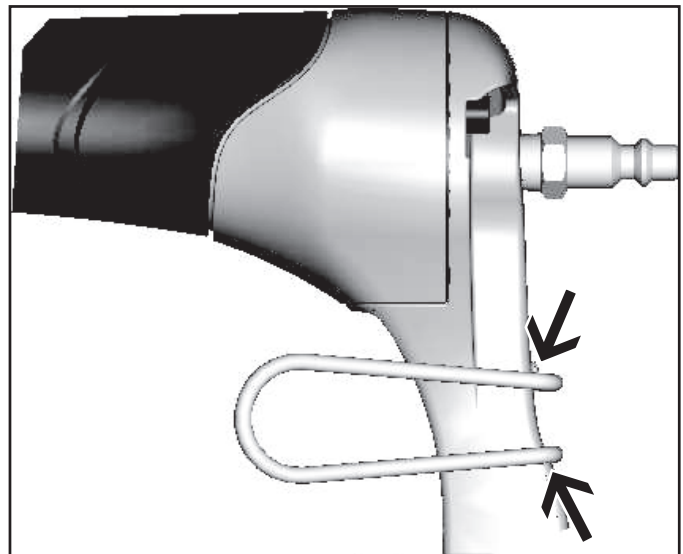
Para descargar los clavos, simplemente tire del seguidor hacia la parte posterior del cargador y presione el botón de bloqueo central en el seguidor. La moverá el seguidor hacia afuera y permitirá que los clavos pasen por delante del seguidor y por la parte posterior del cargador.

Para liberar la cerradura, simplemente tire del seguidor hacia atrás y el botón de bloqueo se liberará y permitir que el seguidor se mueva hacia adelante.



Gancho reversible de la correa:

El gancho de la correa se puede cambiar desde el lado izquierdo de la herramienta a la derecha. Para cambiar la posición, apretar la base del gancho de cinturón y sacarlo de la herramienta y la herramienta de y posicionarlo en el lado deseado.



MANTENIMIENTO

El mantenimiento de cualquier herramienta Paslode® es simple. Su funcionamiento sin problemas y la prolongación de la vida de la herramienta se logran siguiendo un sencillo procedimiento. Las personas encargadas de usar y mantener la herramienta deben leer las instrucciones de seguridad y mantenimiento. Estudie los diagramas antes de hacer cualquier reparación.

Las herramientas neumáticas deben revisarse periódicamente, y se deben cambiar las piezas gastadas o deterioradas para que la herramienta siga funcionando con eficiencia y sin peligro. Además, se debe revisar la tabla de mantenimiento frecuentemente.

Cuando Hace Mucho Frio

Cuando la temperatura es inferior a la de congelamiento, las herramientas deben mantenerse a la temperatura ambiente por el método más seguro y conveniente. De lo contrario, aconsejamos seguir el siguiente procedimiento para calentar las piezas de la herramienta.

- Disminuya la presión regulada del aire a 30 psi.
- Quite todos los sujetadores de la herramienta.
- Conecte una línea de aire y dispare la herramienta sin clavos. La presión reducida del aire será suficiente para lograrlo. El funcionamiento a poca velocidad tiene la tendencia de calentar las partes móviles. Disminuyendo la velocidad del pistón le da cierta elasticidad al amortiguador y los anillos-o.



PRECAUCIÓN

Nunca dispare la herramienta sin clavos a alta presión.

- Una vez que la herramienta se haya calentado, ajuste nuevamente el regulador a la presión apropiada para trabajar y cargue de nuevo la herramienta.
- Abra, por lo menos diariamente, el drenaje del tanque del compresor del aire para eliminar cualquier humedad, cuando haga mucho frío o el grado de humedad sea muy alto. Poniendo una pequeña cantidad de descongelante en el tanque evitará que la humedad se congele.

Probar la Herramienta Después de Darle Servicio

Después de reemplazar una o más piezas, es importante comprobar si la herramienta funciona como es debido. Esto asegura que todas las piezas estén puestas correctamente, que la herramienta esté segura y que funcione correctamente.

- Verifique que ninguna pieza esté floja.
- Compruebe que el elemento de contacto haya sido correctamente instalado en relación con el gatillo y que ambas piezas se muevan libremente.
- Verifique que el cargador esté colocado correctamente.
- Verifique que la información sobre seguridad, que está en la herramienta, sea legible.
- Use solamente sujetadores aprobados por Paslode® y compruebe que sean los apropiados para su aplicación.
- Verifique que se haya conectado firmemente un adaptador macho a la herramienta.
- Pruebe la herramienta impulsando sujetadores en un material de trabajo idéntico al de la aplicación.
- Verifique que no haya pérdidas de aire en la herramienta durante las pruebas y revise la secuencia apropiada de funcionamiento.
- Asegure que todos los sujetadores sean impulsados a la misma profundidad y que la cabeza del sujetador esté al ras con el material de trabajo.

Usando la siguiente tabla de mantenimiento es posible resolver rápidamente y fácilmente la mayoría de los pequeños problemas. Si un determinado problema persiste, comuníquese con el representante de Paslode®.

-
-

MANTENIMIENTO (continuación)



Desconecte la herramienta al hacer cualquier reparación o eliminar cualquier obstrucción.

TABLA DE MANTENIMIENTO

ACTIVIDAD	POR QUE	COMO
Drene el filtro de la línea de aire a diario.	Para evitar que se acumulen la humedad y la suciedad.	Abra la llave de escape. (La mayoría de los sistemas neumáticos la tienen.)
Limpie el elemento del filtro; luego, sople aire a través del filtro en la dirección opuesta a la corriente normal.	Para evitar que la suciedad obstruya el filtro.	Lave con agua y jabón, o siga las instrucciones del fabricante.
Verifique que todos los tornillos de la herramienta estén apretados.	Para evitar pérdidas de aire y asegurar el buen funcionamiento de la herramienta.	Revise los tornillos a diario.
Revise si el elemento de contacto funciona correctamente.	Para promover la seguridad del operador y el buen funcionamiento de la herramienta.	Límpielo con aire a diario.
Mantenga limpios los mecanismos del cargador y del alimentador.	Para prevenir que se obstruyan los sujetadores.	Límpielos con aire a diario.
Use solamente piezas de repuesto Paslode.	Para que la herramienta continúe funcionando eficientemente y mantener vigente la garantía de Paslode.	Solicite al representante de Paslode cualquier pieza de repuesto que necesite.

GUÍA PARA SOLUCIONAR PROBLEMAS



PRECAUCIÓN

Desconecte la herramienta al repararla o desatascarla.

PROBLEMA	CORRECCIÓN
Las sujeciones no entran por completo en la madera.	Ajuste la profundidad de penetración (retraiga la longitud). Aumente la presión del aire (sin exceder los 120 psi).
Las sujeciones entran bien durante la operación normal, pero no entran por completo cuando aumento la velocidad.	Aumente el caudal de aire a la herramienta –use líneas de aire más grandes (con un DI de 3/8" como mínimo)
Las sujeciones penetran demasiado profundo en la madera.	Ajuste la profundidad de penetración (extienda la longitud) Reduzca la presión del aire.
La sujeción se atasca en la punta de la herramienta.	Abra la traba de la guía frontal, libere la sujeción atascada y cierre bien la traba.
La herramienta salta durante la operación – a veces no salen las sujeciones.	Verifique que el cargador tenga las sujeciones correctas. El seguidor del cargador debe deslizarse libremente. Límpielo si está sucio. Asegúrese de usar las sujeciones correctas. Use solo sujeciones que cumplan con las especificaciones de Paslode®. Aumente el caudal de aire a la herramienta – use líneas de aire más grandes (con un DI de 3/8" como mínimo). Ajuste el elemento de contacto, si puede.
La herramienta funciona pero no salen las sujeciones.	Verifique que el cargador tenga las sujeciones correctas. Las sujeciones deben deslizarse libremente sin presión del seguidor. Abra la traba de la guía frontal y verifique que no haya sujeciones atascadas ni suciedad en la punta. Despeje cualquier obstrucción. Aumente la presión del aire (sin exceder los 120 psi).
Pierde aire por la tapa cuando la herramienta está conectada al aire.	Ajuste los tornillos allen.

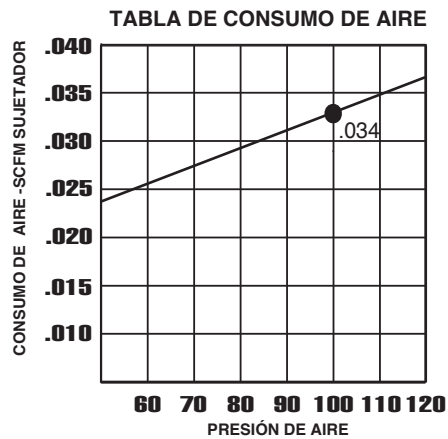
LISTA DE PIEZAS,

T250S-F16P

Part #515500

1	515501	7	Hex. Soc. Hd. Bolt	37	515537	1	Spring Pin
2	515502	1	Cap	38	515538	1	WCE
*3	515503	1	O-Ring	39	515539	2	Hex. Soc.Hd. Bolt
4	515504	1	Top Cap Ring	40	515540	1	Set Plate
5	515505	1	Hex. Soc. Hd. Bolt	41	515541	1	Nose
6	515506	1	Spacer	42	617456	1	Spring
7	515507	1	Piston Stopper	43	515543	1	Lock-out Lever
8	515508	1	Spring	44	515544	1	Spring Pin
*9	515509	1	Head Valve Assembly	45	515545	1	Spring Pin
*10	515510	1	O-Ring	46	515546	1	Upper Plate
*11	515511	2	O-Ring	47	515547	1	Nail Guide
*12	515512	1	Seal	48	515548	2	Hex. Soc.Hd. Bolt
*13	515513	1	Top Cap Seal	49	515549	1	Belt Hook
*14	515514	1	Collar	50	515550	1	Trigger Valve Assembly
*15	515515	1	Driver Blade Assembly	51	617780	1	Spring
*16	515516	1	Wear-Ring	52	515552	1	Selectable Trigger
*17	515517	1	O-Ring	53	515553	1	Magazine (Right)
18	515518	1	Cylinder	54	515554	1	Pusher
*19	515519	1	O-Ring	55	515555	1	Spring
*20	515520	1	Cylinder-Ring	56	515556	1	Spring Pin
*21	515521	1	O-Ring	57	515557	1	Pusher Seat Assembly
*22	515522	1	O-Ring	58	515558	1	Roll Spring
*23	515523	1	Bumper	59	515559	1	Magazine (Left)
24	515524	1	Housing	60	515560	2	Lock Nut
*25	515525	1	End Cap Seal	61	515561	1	Flat self-tapping Bolt
26	515526	1	End Cap	62	515562	1	Pusher Upper seat
27	615920	1	Air Plug	63	515563	1	Push Button
28	515528	4	Spring Pin	64	515564	1	Spring
29	515529	1	Bumper Seal	65	515565	2	UM. HD. Bolt
30	515530	1	Depth of Drive A	66	515566	1	Lower Plate
31	515531	1	WCE Connector	67	515567	2	Logo Label
32	403713	1	E-Ring	** 68	515568	1	Warning Label
33	515533	1	Latch Spring Assembly	69	515569	1	Model Label
34	515534	1	Latch	70	515570	1	Magazine Assembly
35	515535	1	Spring Pin	71	515571	1	Lock Label
36	515536	1	Door				

- * Indica piezas de desgaste normal.
- ** Asegure que la Etiqueta de Advertencia (515568) este bien pegada. Reemplace si es necesario.



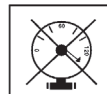
INSTRUCCIONES DE SEGURIDAD



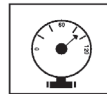
USE PROTECCIÓN PARA OJOS Y OÍDOS.



Siempre use protección para oídos y equipo de seguridad para los ojos, incluyendo protectores laterales cuando este manejando o trabajando en los alrededores de una herramienta.



NO SOBREPASE LA MÁXIMA PRESIÓN DE AIRE RECOMENDADA

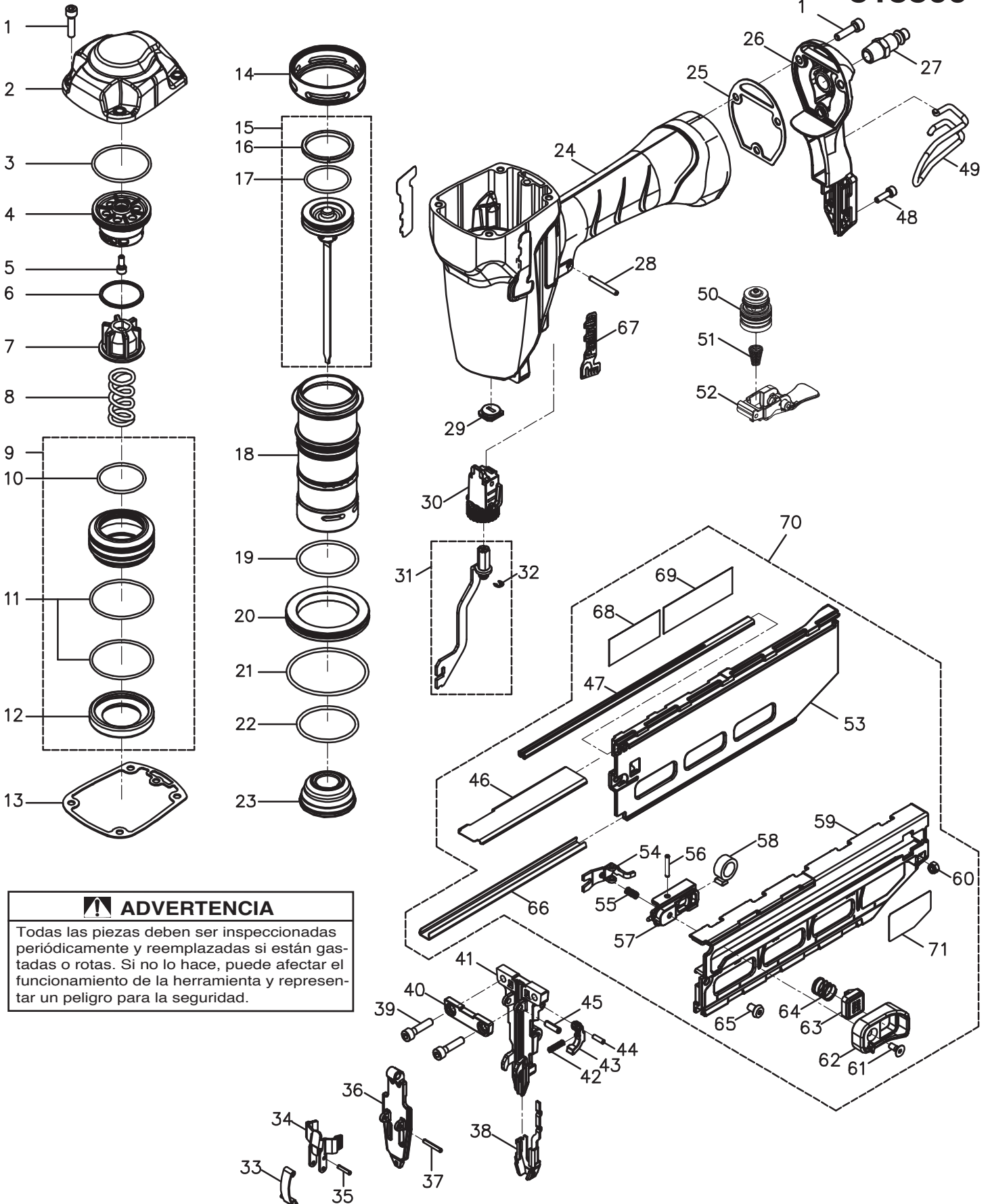


Solo opere la herramienta usando la presión de aire recomendada. No sobre pase la máxima presión de aire marcada sobre la herramienta. Asegure que el indicador de presión de aire este trabajando bien y reviselo por lo menos dos veces al día.

Nunca use algún aire o gas embotellado tal como el oxígeno para funcionar la herramienta ya que pueden causar que la herramienta explote.

T250S-F16P

515500



⚠ ADVERTENCIA

Todas las piezas deben ser inspeccionadas periódicamente y reemplazadas si están gastadas o rotas. Si no lo hace, puede afectar el funcionamiento de la herramienta y representar un peligro para la seguridad.

ACCESORIOS

Lentes de Seguridad
Claros



Pieza No. 401382



ACCESSOIRES

Lunettes de sécurité

Transparentes

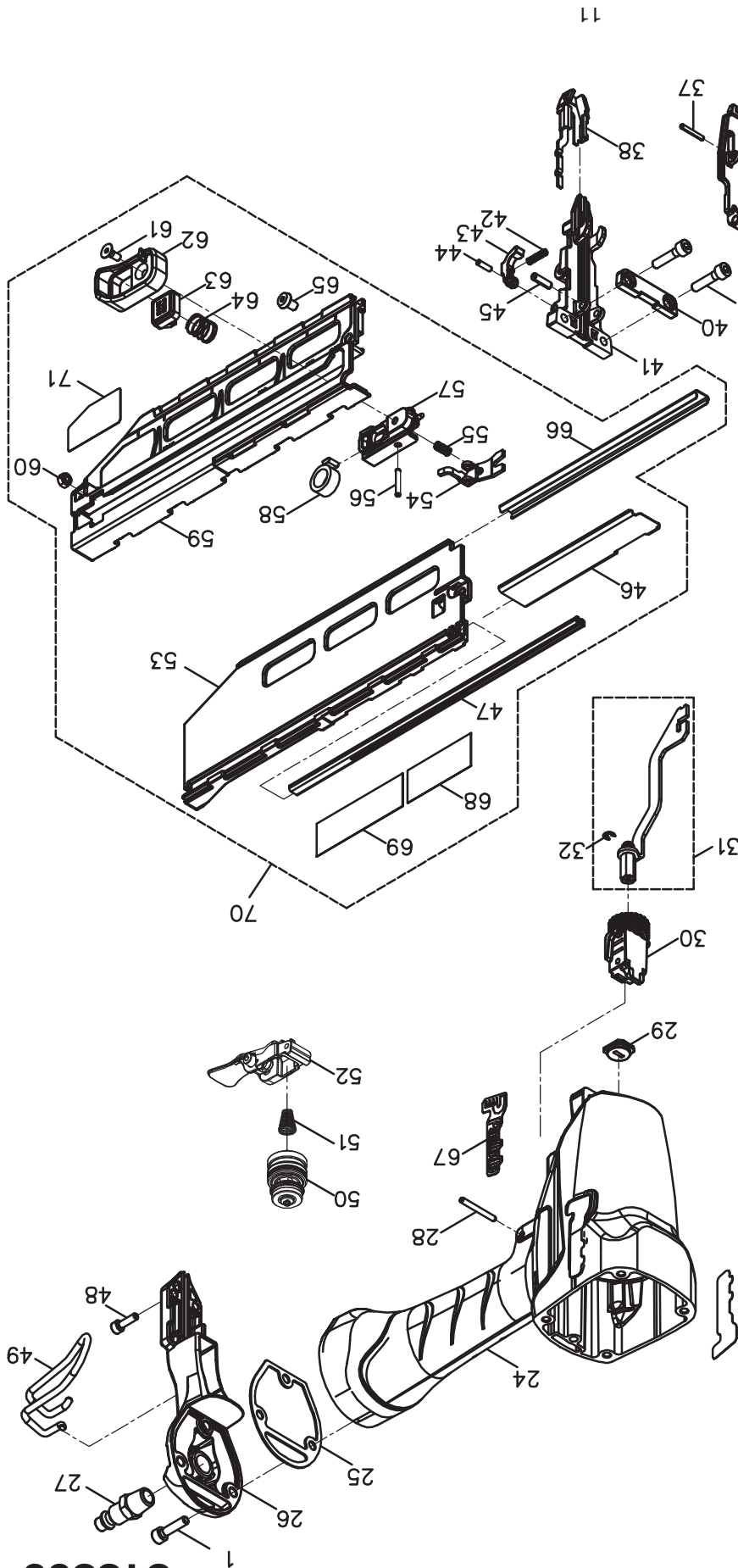


Pièce n° 401382

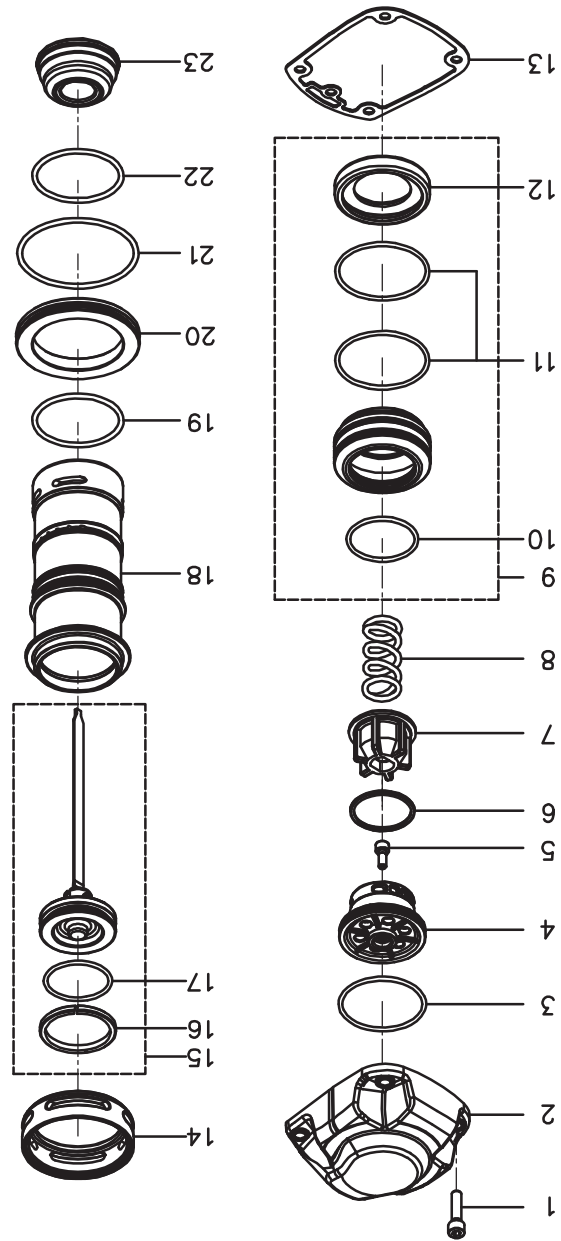


Une compagnie d'Illinois Tool Works
155 Harlem Avenue
Glenview, IL 60025

T250S-F16P 515500



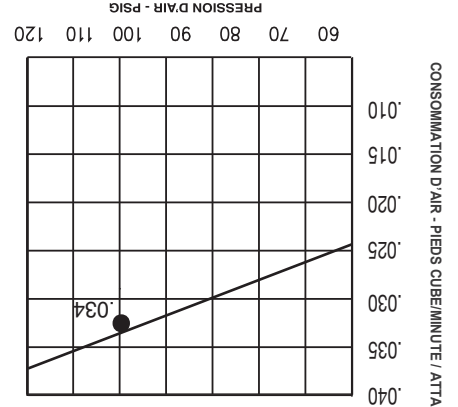
⚠ Avertissement
 Toutes les pièces doivent être inspectées périodiquement, et doivent être remplacées si usées ou brisées. Tout manquement à les remplacer au moment opportun peut affecter le fonctionnement de l'outil, et cela peut créer un risque pour la sécurité.



1	51501	Boulon à tête hex.	7	37	51537	Tige du ressort	1	37	51538	WCE	1	38	51538	WCE	1	39	51539	Boulon à tête hex.	2	40	51540	Plaque de retenue	1	41	51541	Nez	1	42	617456	Ressort	1	43	51543	Levier de blocage	1	44	51544	Tige du ressort	1	45	51545	Tige du ressort	1	46	51546	Plaque supérieure	1	47	51547	Guide d'attache	1	48	51548	Boulon à tête hex.	2	49	51549	Crochet de ceinture	1	50	51550	Jeu de vanne de déclenchement	1	51	617780	Ressort	1	52	51552	Gâchette sélectionnable	1	53	51553	Magasin (droite)	1	54	51554	Poussoir	1	55	51555	Ressort	1	56	51556	Tige du ressort	1	57	51557	Jeu de siège du poussoir	1	58	51558	Ressort en rouleau	1	59	51559	Magasin (gauche)	1	60	51560	Contre-écrou	2	61	51561	Boulon plat auto-tarandeur	1	62	51562	Siège supérieur du poussoir	1	63	51563	Bouton poussoir	1	64	51564	Ressort	1	65	51565	Boulon hex.	2	66	51566	Plaque inférieure	1	67	51567	Étiquette de logo	2	68	51568	Étiquette d'avertissement	1	69	51569	Étiquette du modèle	1	70	51570	Jeu du magasin	1	71	51571	Étiquette de blocage	1	36	51536	Porte	1	35	51535	Tige du ressort	1	34	51534	Loquet	1	33	51533	Jeu de ressort de loquet	1	32	403713	Anneau en E	1	31	51531	Connecteur WCE	1	30	51530	Profondeur d'entraînement A	1	29	51529	Sceau du pare-chocs	1	28	51528	Tige du ressort	4	27	61520	Prise d'air	1	26	51526	Bouchon du bout	1	25	51525	Scellement du bout	1	24	51524	Bâti	1	23	51523	Pare-chocs	1	22	51522	Joint Torique	1	21	51521	Joint Torique	1	20	51520	Collet de cylindre	1	19	51519	Joint Torique	1	18	51518	Cylindre	1	17	51517	Joint Torique	1	16	51516	Bague d'usure	1	15	51515	Jeu de tête d'entraînement	1	14	51514	Collet	1	13	51513	Sceau supérieur	1	12	51512	Scellement	1	11	51511	Joint Torique	2	10	51510	Joint Torique	1	9	51509	Ensemble de vanne de tête	1	8	51508	Ressort	1	7	51507	Butée du piston	1	6	51506	Espaceur	1	5	51505	Boulon à tête hex.	1	4	51504	Anneau-bouchon supérieur	1	3	51503	Joint Torique	1	2	51502	Capuchon	1	1	51501	Boulon à tête hex.	7
---	-------	--------------------	---	----	-------	-----------------	---	----	-------	-----	---	----	-------	-----	---	----	-------	--------------------	---	----	-------	-------------------	---	----	-------	-----	---	----	--------	---------	---	----	-------	-------------------	---	----	-------	-----------------	---	----	-------	-----------------	---	----	-------	-------------------	---	----	-------	-----------------	---	----	-------	--------------------	---	----	-------	---------------------	---	----	-------	-------------------------------	---	----	--------	---------	---	----	-------	-------------------------	---	----	-------	------------------	---	----	-------	----------	---	----	-------	---------	---	----	-------	-----------------	---	----	-------	--------------------------	---	----	-------	--------------------	---	----	-------	------------------	---	----	-------	--------------	---	----	-------	----------------------------	---	----	-------	-----------------------------	---	----	-------	-----------------	---	----	-------	---------	---	----	-------	-------------	---	----	-------	-------------------	---	----	-------	-------------------	---	----	-------	---------------------------	---	----	-------	---------------------	---	----	-------	----------------	---	----	-------	----------------------	---	----	-------	-------	---	----	-------	-----------------	---	----	-------	--------	---	----	-------	--------------------------	---	----	--------	-------------	---	----	-------	----------------	---	----	-------	-----------------------------	---	----	-------	---------------------	---	----	-------	-----------------	---	----	-------	-------------	---	----	-------	-----------------	---	----	-------	--------------------	---	----	-------	------	---	----	-------	------------	---	----	-------	---------------	---	----	-------	---------------	---	----	-------	--------------------	---	----	-------	---------------	---	----	-------	----------	---	----	-------	---------------	---	----	-------	---------------	---	----	-------	----------------------------	---	----	-------	--------	---	----	-------	-----------------	---	----	-------	------------	---	----	-------	---------------	---	----	-------	---------------	---	---	-------	---------------------------	---	---	-------	---------	---	---	-------	-----------------	---	---	-------	----------	---	---	-------	--------------------	---	---	-------	--------------------------	---	---	-------	---------------	---	---	-------	----------	---	---	-------	--------------------	---

* Indique les articles qui présenteront une usure normale.
 ** Assurez-vous que l'étiquette d'avertissement (51568) soit apposée correctement. Remplacez-la au besoin.

TABLEAU DE CONSOMMATION D'AIR



CONSIGNES DE SÉCURITÉ

PORTEZ UNE PROTECTION POUR LES YEUX ET POUR L'OUÏE

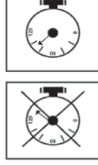
Portez toujours des équipements de protection de l'ouïe et des yeux, y compris des écrans latéraux, lorsque vous utilisez ou travaillez à proximité d'un outil.



NE DÉPASSEZ PAS LA PRESSION D'AIR



MAXIMALE RECOMMANDÉE



Utilisez l'outil uniquement avec la pression d'air qui est recommandée. Ne dépassez pas la pression d'air maximale indiquée sur l'outil. Assurez-vous que l'indicateur de pression d'air fonctionne correctement, et vérifiez-le au moins deux fois par jour.



N'utilisez jamais d'air ou de gaz en bouteille, tel que de l'oxygène, pour faire fonctionner cet outil, puisque ces gaz en bouteille peuvent faire exploser l'outil.

MESURE CORRECTIVE	PROBLÈME
<p>Ajuster le réglage de profondeur d'entraînement (diminuer la longueur). Augmenter la pression d'air (ne pas dépasser 120 psi).</p>	<p>Les attaches ne s'enfoncent pas complètement dans le bois.</p>
<p>Augmenter le flux d'air vers l'outil; utiliser des tuyaux d'air plus gros (diamètre intérieur d'au moins 3/8 po).</p>	<p>Les attaches pénètrent correctement lors d'une utilisation normale, mais elles ne s'enfoncent pas complètement à des vitesses plus élevées.</p>
<p>Ajuster le réglage de profondeur d'entraînement (augmenter la longueur). Réduire la pression d'air.</p>	<p>Les attaches s'enfoncent trop profondément dans le bois.</p>
<p>Ouvrir le loquet du guide frontal, retirer l'attache coincée, et refermer le loquet de façon sécuritaire.</p>	<p>Les attaches se coincent dans le nez de l'outil.</p>
<p>Vérifier que le magasin contient des attaches appropriées. Le pourvoyeur du magasin doit glisser librement. Si nécessaire, retirer les débris présents. S'assurer que des attaches appropriées sont utilisées. Utiliser uniquement des attaches qui répondent aux spécifications de Paslode®. Augmenter le flux d'air vers l'outil; utiliser des tuyaux d'air plus gros (diamètre intérieur d'au moins 3/8 po). Ajuster l'élément de contact lorsque cela est possible.</p>	<p>L'outil saute durant l'utilisation; de temps en temps, aucune attache n'est éjectée.</p>
<p>Vérifier que le magasin contient des attaches appropriées. Les attaches doivent glisser librement sans pression du pourvoyeur. Ouvrir le loquet du guide frontal et vérifier la présence de bourrages ou de débris, le cas échéant. Augmenter la pression d'air (ne pas dépasser 120 psi).</p>	<p>L'outil semble fonctionner, mais aucune attache n'est éjectée.</p>
<p>Serrer les vis du capuchon.</p>	<p>Des fuites d'air au capuchon lorsque l'outil est alimenté en air.</p>

ATTENTION   Débrancher l'outil lors des réparations ou du dégagement de bourrages.

 MISE EN GARDE 	Débranchez l'outil avant d'effectuer une réparation ou un déblocage
---	---

TABEAU D'ENTRETIEN

MESURE À PRENDRE	POURQUOI	COMMENT
Purgez le filtre de la conduite d'air (quotidiennement).	Pour prévenir l'accumulation d'humidité et de saleté.	Ouvrez le robinet de purge manuelle (la plupart des systèmes d'alimentation en air comportent ce type de robinet).
Nettoyez l'élément du filtre, puis soufflez de l'air à travers le filtre, en direction opposée du débit normal.	Pour prévenir l'obstruction du filtre par la saleté	Lavez à l'eau savonneuse ou selon les instructions du fabricant.
Vérifiez que toutes les vis de l'outil soient bien serrées.	Pour prévenir les fuites d'air, et pour favoriser un fonctionnement plus efficace.	Vérifiez le bon serrage des vis, quotidiennement.
Assurez-vous que l'élément de pointe de contact fonctionne correctement.	Pour favoriser la sécurité de l'utilisateur, et un fonctionnement efficace de l'outil.	Nettoyez quotidiennement en soufflant.
Gardez le magasin et le dispositif d'alimentation propres.	Pour prévenir le blocage des attaches.	Nettoyez quotidiennement en soufflant.
Utilisez uniquement des pièces de rechange Paslode ^{MD} .	Pour préserver le bon fonctionnement de l'outil, et maintenir la garantie de l'outil Paslode ^{MD} .	Commandez toute pièce de rechange dont vous avez besoin auprès de votre détaillant Paslode ^{MD} local.

Les outils Paslode^{MD} sont conçus pour faciliter leur entretien.

Quelques détails simples vous permettront d'en assurer le fonctionnement sans souci, et d'en tirer une longue durée de vie utile. Toute personne qui utilise ou répare l'outil doit lire et comprendre les consignes de sécurité et d'entretien. Examinez les schémas avant d'entamer toute réparation sur cet outil.

Les outils pneumatiques doivent être inspectés régulièrement, et toute pièce usée ou cassée doit être remplacée afin de préserver un fonctionnement sécuritaire et efficace de l'outil. De plus, les articles figurant sur le tableau d'entretien doivent également être vérifiés fréquemment.

Entretien par temps froid

Si les températures tombent en dessous de zéro, les outils doivent être gardés au chaud par tout moyen qui soit pratique et sécuritaire. Si cela n'est pas possible, il faut suivre les procédures suivantes pour réchauffer les outils :

- Réduisez la pression d'air réguie à 2,06 bars (30 psi).
- Retirez toutes les attaches de l'outil.
- Raccordez une conduite d'air et tirez à blanc avec l'outil. La pression d'air réduite sera suffisante pour activer un déclenchement librement. Un fonctionnement à vitesse lente aura tendance à réchauffer les pièces mobiles. Ralentir le piston aidera la butée et les joints toriques à atteindre leur niveau voulu de rebond.

MISE EN GARDE

Ne jamais tirer à blanc avec l'outil, en recourant à la haute pression.

- Une fois que l'outil sera réchauffé, réglez à nouveau le régulateur à la bonne pression de fonctionnement, et rechargez l'outil.

- Par temps très froid ou humide, ouvrez le purgeur du réservoir du compresseur d'air pour purger toute humidité, le réservoir peut aussi contribuer à garder l'air libre de gel ou de givre.

Tester L'outil Après une Réparation

Après avoir remplacé une ou plusieurs pièces, il est important de vérifier que l'outil fonctionne bien. Ceci assure que l'outil a été réassemblé correctement, est sûr et exécutera les tâches de manière appropriée.

- Assurez-vous que toutes les pièces soient bien serrées.
- Assurez-vous que l'élément de pointe de contact soit installé correctement relativement à la gâchette, et que les deux pièces puissent bouger librement.
- Assurez-vous que le magasin soit fixé correctement.
- Assurez-vous que les consignes de sécurité requises sur l'outil soient bien lisibles.
- N'utilisez que des attaches approuvées par Paslode^{MD} dans l'outil, et vérifiez qu'elles soient bien appropriées pour l'application.
- Assurez-vous qu'un raccord d'air mâle soit connecté solidement sur l'outil, et de manière sécuritaire.
- Testez l'outil en entonçant des attaches dans une pièce à travailler qui soit identique à l'application pour laquelle l'outil sera utilisé.
- Vérifiez la présence de fuite d'air sur l'outil pendant le test, testez aussi que la séquence de son fonctionnement soit correcte.
- Assurez-vous que toutes les attaches soient enfoncées à la même profondeur, et que la couronne des attaches soit à affileusement avec la pièce à travailler.

La plupart des problèmes mineurs peuvent être réglés rapidement et facilement, en vous référant au tableau d'entretien ci-dessous. Si le problème persiste, communiquez avec votre détaillant Paslode pour de l'assistance.

FONCTIONNEMENT DE L'OUTIL

Méthodes de déclenchement :

La clouuse de finition Paslode T2505-F16F comporte un système de déclenchement qui peut être commuté d'un déclenchement séquentiel à un déclenchement au contact. Pour commuter le déclenchement, appuyez sur le bouton rond sur le côté gauche de la gâchette, et tournez le côté droit du bouton pour choisir la méthode de déclenchement voulue.

Le sigle T T indique un déclenchement au contact, alors que le sigle T indique un déclenchement séquentiel.

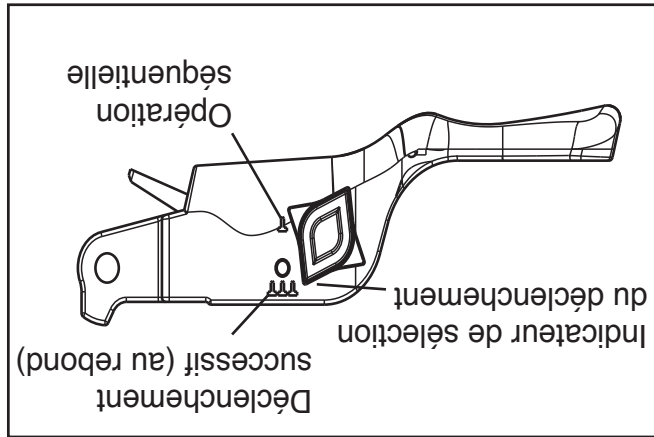
Déclenchement Successif (au Rebond) - TTT

Saisissez fermement la poignée.

Pressez la gâchette et déplacez l'outil le long de la pièce à travailler, dans un mouvement ponctué de rebonds, en appuyant l'élément de pointe de contact aux points où vous voulez enfoncer une attache.

Maintenez la gâchette enfoncée, et continuez à faire des rebonds de l'élément de pointe de contact contre la pièce à travailler, tout en positionnant aussi soigneusement que possible l'outil au-dessus du point à clouer.

Lorsque le nombre souhaité d'attaches a été atteint, relâchez la gâchette de l'outil pour éviter tout déclenchement involontaire des attaches.



Opération Séquentielle - T

Le réglage de déclenchement séquentiel (sigle T) empêche le déclenchement successif ou « à rebond. »

Appuyez sur l'élément de pointe de contact de travail et maintenez-la contre la surface de travail, avant de presser sur la gâchette.

Après avoir enfoncé chaque attache, relâchez complètement la gâchette, et soulevez l'outil de la surface de travail.

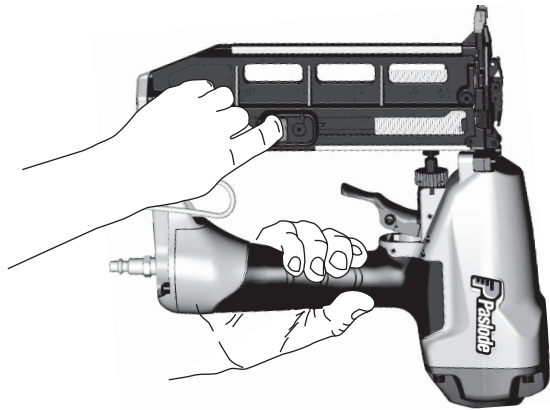


Ne pas coincer ni retenir la gâchette par un autre moyen que votre main.

FONCTIONNEMENT DE L'OUTIL

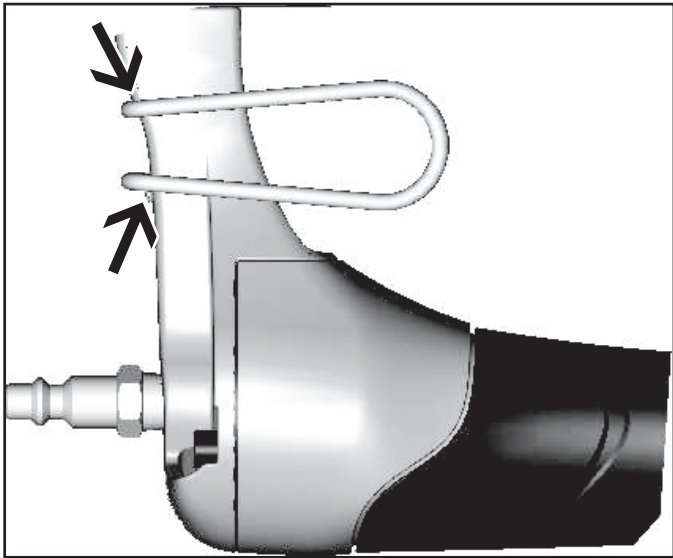
Décharger les Attaches :

Pour décharger les attaches, tirez simplement sur le bouton pourvoyeur à l'arrière du magasin, et appuyez sur le bouton central de verrouillage sur le pourvoyeur. Le verrou va dégager le pourvoyeur, et permettra aux attaches de glisser plus loin que le pourvoyeur, et à l'arrière du magasin. Pour relâcher le verrou, tirez simplement le pourvoyeur vers l'arrière du magasin, le bouton de verrouillage sera alors libéré, et permettra au pourvoyeur de bouger vers l'avant.



Crochet Réversible de Ceinture :

Le crochet de ceinture peut être changé du côté gauche au côté droit de l'outil. Pour changer la position, compressez la base du crochet de ceinture et enlevez-le de l'outil, puis, positionnez-le sur le côté voulu.



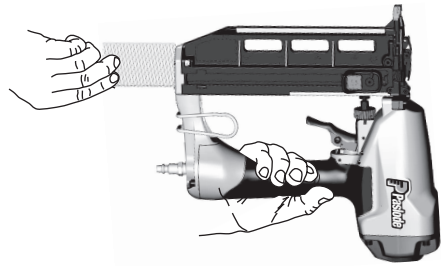
FONCTIONNEMENT DE L'OUTIL

Attaches

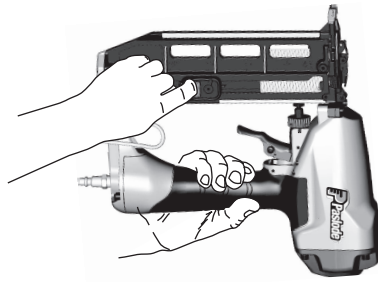
La clouuse de finition Paslode[®] T250S-F16P permet d'enfoncer des attaches Paslode de calibre 16, lesquelles sont conçues pour être utilisées avec cet outil. L'utilisation des attaches qui ne rencontrent pas les normes de Paslode peut causer des dommages à l'outil, et cela entraînera l'annulation de toute réclamation sous garantie.

Chargement des Attaches

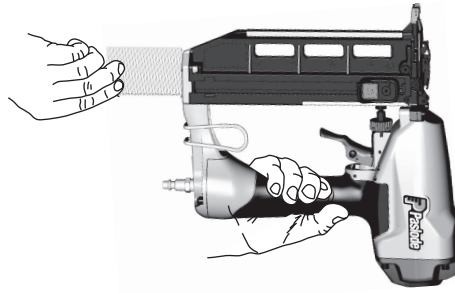
ÉTAPE 1 : Alignez les têtes des attaches de finition Paslode de calibre 16 avec le guide des attaches, à l'arrière du magasin, et insérez une ou deux bandes d'attaches. Poussez les bandes d'attaches vers l'avant.



ÉTAPE 2 : Ensuite, tirez le pourvoyeur vers l'arrière du magasin, jusqu'à ce que le pourvoyeur dépasse la dernière bande d'attaches. Relâchez le pourvoyeur et laissez le pourvoyeur pousser les attaches vers l'avant, dans le nez de l'outil.

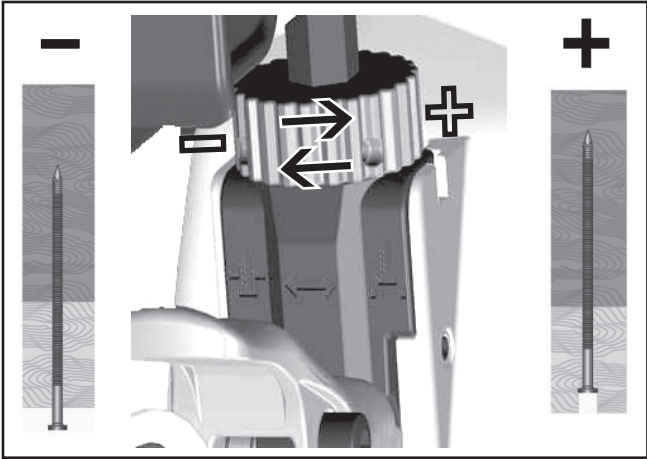


Lorsque le pourvoyeur atteint la zone de recharge, marquée sur le côté du magasin, vous pouvez insérer une nouvelle bande d'attaches. Lorsque la flèche du pourvoyeur atteint la zone de verrouillage, l'outil se verrouille automatiquement, pour prévenir tout fonctionnement de l'outil. Pour débloquer l'outil, recharger simplement une autre bande d'attaches.



Réglage de la Profondeur d'entraînement

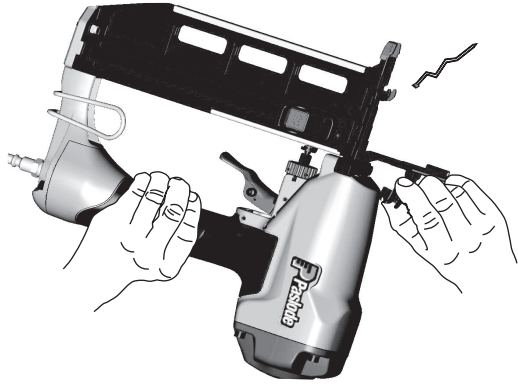
Debrancher l'alimentation en air. Le réglage de la profondeur d'entraînement se fait en tournant la roue de réglage, située au-dessous de la gâchette.



Dégager un Bourrage

Vous pourriez à l'occasion rencontrer le problème d'une attache bloquée. La conception unique de la clouuse de finition Paslode, facilite grandement le déblocage d'une attache bloquée :

1. Debrancher l'alimentation en air.
2. Tirez le loquet, pour dégager le guide frontal, puis pivotez le guide frontal vers l'avant.
3. Dégagez le blocage, puis poussez la lame d'entraînement à sa position normale.
4. Fermez le guide frontal et verrouillez-le. Vérifiez que l'élément de pointe de contact puisse bouger librement.



Fonction de Verrouillage

Le but de cette fonction est d'empêcher un cycle à vide, ce qui pourrait gâcher les planches en bois, et endommager les composantes de l'outil. Dix (10) attaches sont laissées dans le magasin lorsque le pourvoyeur atteint la zone de verrouillage. Lors du changement de la longueur des attaches, ou du chargement au début de la journée de travail, vous devez inspecter le magasin et le nez pour détecter la présence d'attaches laissées dans l'outil. Ces attaches ne seront visibles que si vous ouvrez le nez de l'outil.

INSTRUCTIONS SUR LA SÉCURITÉ

LA SÉCURITÉ AVANT TOUT

Ces instructions se rapportant à la sécurité donnent l'information nécessaire pour manipuler les outils Paslode en toute sécurité. **NE PAS ESSAYER D'OPÉRER L'OUTIL AVANT D'AVOIR LU ET COMPRIS TOUTES LES PRÉCAUTIONS À PRENDRE ET LES INSTRUCTIONS DU MANUEL.**

PORTER DE L'ÉQUIPEMENT DE PROTECTION



POUR LES YEUX ET L'OUÏE. Toujours porter de l'équipement de protection pour les yeux et l'ouïe qui se conforme aux normes ANSI Z87.1 lors de l'opération de l'outil ou à proximité. En tant qu'employeur, il en est de votre responsabilité de vous assurer du port de l'équipement de protection. Porter des casques de sécurité lorsque nécessaire.

L'OUTIL NE DOIT ÊTRE UTILISÉ QUE POUR SON USAGE PRÉVU.

Ne pas jeter l'outil à terre, trapper le boîtier de quelque façon que ce soit ou utiliser l'outil comme marteau pour enfoncer la pièce en place.

NE JAMAIS INITIER DES JEUX BRUTAUX AVEC L'OUTIL

Cet outil n'est pas un jouet donc ne pas l'utiliser comme tel. Ne jamais initier des jeux brutaux avec l'outil ou le pointer vers vous ou toute autre personne, même si vous croyez que l'outil n'est pas chargé.

NE JAMAIS PRÉSUMER QUE L'OUTIL EST VIDE

Vérifiez le magasin pour des attaches qui pourraient y rester. Même si vous croyez que l'outil est vide ou est désaccouplé, ne jamais le pointer vers vous ou vers une autre personne. L'outil pourrait décharger des attaches non remarquées.

NE JAMAIS PINCER LA GÂCHETTE EN POSITION BARRÉE OU OPÉRATIONNELLE.

Ne jamais modifier, mettre hors service ou pincer la gâchette de l'outil en position barrée ou opérationnelle, puisque ceci permettrait à l'outil d'enfoncer une attache, n'importe quand, lorsque l'élément de pointe de contact touche la pièce de travail.

NE PAS CHARGER LES ATTACHES LORSQUE LA SOURCE D'AIR EST ACCOUPÉE, LA GÂCHETTE EST PRESSÉE OU L'ÉLÉMENT DE POINTE DE CONTACT TOUCHE LA PIÈCE DE TRAVAIL.

Assurez-vous d'avoir désaccouplé l'entrée d'air et que la gâchette et la pointe de contact ne sont pas pressées lorsque vous rechargez l'outil.

FONCTIONNER L'OUTIL SEULEMENT SUR UNE PIÈCE DE TRAVAIL



L'outil ne devrait être opéré que lorsqu'il est en contact avec la pièce de travail. Même dans cette situation, doublez de précaution avec les pièces de travail minces, ou près des bords et dans les coins, puisque les attaches pourraient traverser ou faire ricochet de la pièce de travail.

NE PAS ENLEVER OU METTRE HORS SERVICE L'ÉLÉMENT DE POINTE DE CONTACT

L'outil est équipé d'un mécanisme de sécurité, l'élément de pointe de contact, afin de prévenir la décharge accidentelle. Ne jamais modifier, enlever ou mettre hors service l'élément de pointe de contact. Ne pas utiliser l'outil à moins que l'élément de pointe de contact ne fonctionne proprement. L'outil pourrait se décharger accidentellement.

MISE EN GARDE
Le manque à suivre à l'importance laquelle des instructions ci-haut mentionnées pourrait résulter en des blessures sérieuses à l'utilisateur et tierces personnes et pourrait endommager l'outil et autres biens.

Communiquez avec votre représentant Paslode pour une présentation du Programme de Sensibilisation sur la Sécurité de Paslode.

DÉSACCOUPLER L'OUTIL QUAND IL N'EST PAS UTILISÉ Toujours désaccoupler l'outil de la source d'air lorsqu'il est remis, lorsque vous quittez le chantier de travail ou que vous transportez l'outil vers un autre endroit. L'outil ne doit jamais être laissé sans surveillance, puisque de tierces personnes, non familières avec son fonctionnement pourraient le manipuler et causer des blessures.

NE TRANSPORTER L'OUTIL QUE PAR SA POIGNÉE



Toujours transporter l'outil uniquement par sa poignée. Ne jamais transporter l'outil par le tuyau d'air ou avec la gâchette pressée puisque vous pourriez décharger l'outil accidentellement et vous blesser ou blesser une autre personne.

NE PAS AFFAIBLIR LE BOÏTIER DE L'OUTIL

Le boîtier de l'outil est un conduit de pression et ne devrait jamais être affaibli en faisant graver ou poinçonner le nom de votre entreprise, lieu de travail ou toute autre information sur sa surface.

DÉSACCOUPLER L'OUTIL LORS DE L'ENTRETIEN OU DES DÉBLOCAGES

Ne jamais tenter de débloquer ou de réparer l'outil avant de désaccoupler l'outil de la source d'air et d'enlever toutes attaches de l'outil.

TOUJOURS UTILISER LE BON RACCORD POUR L'OUTIL

N'utiliser que les raccords MÂLES de type pneumatique pour l'outil, afin que la haute pression d'air dans l'outil puisse se dissiper dans l'atmosphère des que la ligne à air est désaccouplée. Ne JAMAIS installer des raccords FEMELLES à désaccouplément rapide sur l'outil. Les raccords femelles retiennent la haute pression d'air dans l'outil lorsque la source d'air est désaccouplée, laissant ainsi l'outil chargé et capable d'enfoncer une attache.

NE JAMAIS DÉPASSER LA PRESSION D'AIR MAXIMALE RECOMMANDÉE



N'opérer l'outil que dans les limites de pressions recommandées. Ne pas dépasser la pression d'air maximale indiquée sur l'outil. Assurez-vous que la jauge de pression fonctionne adéquatement et en vérifier le bon fonctionnement au moins deux fois par jour.

Ne jamais utiliser de l'air comprimé ou autre gaz en bouteille tel que de l'oxygène pour faire fonctionner l'outil, ceci pourrait faire exploser l'outil. Ne pas faire fonctionner dans des atmosphères explosives.



INSPECTER L'OUTIL POUR SON BON FONCTIONNEMENT

Nettoyer l'outil tous les jours et le lubrifier au besoin. Ne jamais opérer un outil sale ou qui ne fonctionne pas bien.

N'UTILISER QUE LES PIÈCES ET ATTACHES PASLODE RECOMMANDÉES

N'utiliser que les pièces et les attaches spécifiquement conçues et recommandées par Paslode pour l'outil et pour le travail à accomplir. L'utilisation de pièces et attaches non autorisées ou toute modification de l'outil créent des situations dangereuses. Remplacez toutes les étiquettes de mise en garde – reportez vous au schéma de l'outil pour l'emplacement et le numéro de pièce.

CARACTÉRISTIQUES DE L'OUTIL ET ATTACHES

CARACTÉRISTIQUES DE L'OUTIL

MODÈLE N°	T250S-F16P (Pièce n°515500)
HAUTEUR	295 mm
LARGEUR	74 mm
LONGUEUR	313 mm
POIDS	1,8kg
PRESSION DE FONCTIONNEMENT	5,5 à 8,3 bars (80 à 120 p.s.i.)

CARACTÉRISTIQUES DES ATTACHES

LONGUEUR DES CLOUS	25 mm à 63 mm (1 po à 2½ po)
DIAMÈTRE DE LA TIGE	Calibre 16

RACCORDS À AIR DE L'OUTIL

Cet outil utilise un raccord mâle de 1/4 po N.P.T. Le diamètre intérieur **doit** être de 7 mm (0,28 po) ou plus. Le raccord **doit pouvoir libérer** la pression d'air de l'outil lorsqu'il est débranché de l'alimentation en air.

PRESSION D'AIR DE FONCTIONNEMENT :

5,5 à 8,3 bars (80 à 120 p.s.i.). Choisissez une pression d'air de fonctionnement comprise dans cette plage pour obtenir le meilleur rendement de l'outil.

NE DÉPASSEZ PAS CETTE PRESSION DE FONCTIONNEMENT RECOMMANDÉE

INTRODUCTION

La **clouuse de finition Paslode** ^{MP}T250S-F16P est un outil de qualité conçu pour être utilisé pour les travaux de finition résidentielle. Cet outil fournira un rendement efficace et fiable s'il est utilisé conformément aux instructions du fabricant. Veuillez étudier ce mode d'emploi y compris les consignes de sécurité pour bien comprendre le fonctionnement de cet outil.

3	CHARACTÉRISTIQUES DE L'OUTIL ET DES ATTACHES
4	CONSIGNES DE SÉCURITÉ
5	INSTALLATION ET UTILISATION L'OUTIL
10-11	VUE ÉCLATÉE ET LISTE DES PIÈCES DE RECHANGE
12	ACCESSOIRES

GARANTIE DE L'OUTIL ET LIMITES

DÉCLARATION DE GARANTIE

Cette garantie est limitée aux outils vendus aux États-Unis et au Canada qui nécessitent des réparations. Afin d'obtenir de l'information visant le service sous garantie aux États-Unis et au Canada, veuillez vous référer à la liste des centres de service fournie avec votre outil.

La seule responsabilité de Paslode sera de remplacer toute pièce ou accessoire prouvé défectueux durant la période spécifiée. Toute pièce de remplacement ou accessoire fourni en rapport à cette garantie sera couvert par une garantie pour la période de garantie résiduelle couvrant la pièce originale qui est remplacée. Cette garantie ne s'applique pas aux pièces de remplacement requises par une usure normale.

Cette garantie est nulle dans le cas d'un outil qui a été assujéti à de l'abus, une mauvaise utilisation, des dommages accidentels ou intentionnels, ou bien utilisé de concert avec des attaches qui ne rencontrent pas les normes de Paslode, leur grandeur ou qualité, ayant été mal entretenu, réparé avec des composantes autres que les pièces originales Paslode, endommagé durant le transport ou la maintenance, ou bien, d'après l'expertise de Paslode, a été modifié ou réparé de manière telle qu'elle affecte ou amoindrit la performance de l'outil.

PASLODE NE DONNE AUCUNE GARANTIE, EXPRESSE OU IMPLICITE, EN CE QUI À TRAIT À LA COMMERCIALITÉ, CONVENANCE, OU AUTRE, À L'EXCEPTION DE LA DÉCLARATION CI-DESSUS, et la responsabilité de Paslode, TELLE QUE CITÉE ET CONVENUE CI-DESSUS, prime en ce qui a trait à toutes autres garanties pouvant provenir de ou être connexes à l'utilisation et la performance de l'outil, à l'exception des modalités légales applicables. PASLODE NE POURRAIT ÊTRE TENUE RESPONSABLE, EN AUCUN CAS, DE DOMMAGES DIRECTS, INDIRECTS OU CONSÉQUENTS À, INCLUANT MAIS NON LIMITÉ AUX DOMMAGES POUVANT DÉCOULER PAR LA PERTE DE PROFITS ANTICIPÉS, DE PRODUCTION, PERTE DE MATÉRIAUX, COÛTS MAJORS D'OPÉRATIONS OU AUTRES.

Paslode garantit que les nouveaux outils d'ancrage assisté, leurs pièces et accessoires seront libres de toutes défectuosités en matériel et main-d'œuvre pour la période spécifiée ci-dessous suite à la date de livraison à l'utilisateur original.

GARANTIE COMPLÈTE D'UN AN

Une garantie de un an s'applique sur toutes les pièces, à l'exception des pièces couvertes par une garantie prolongée.

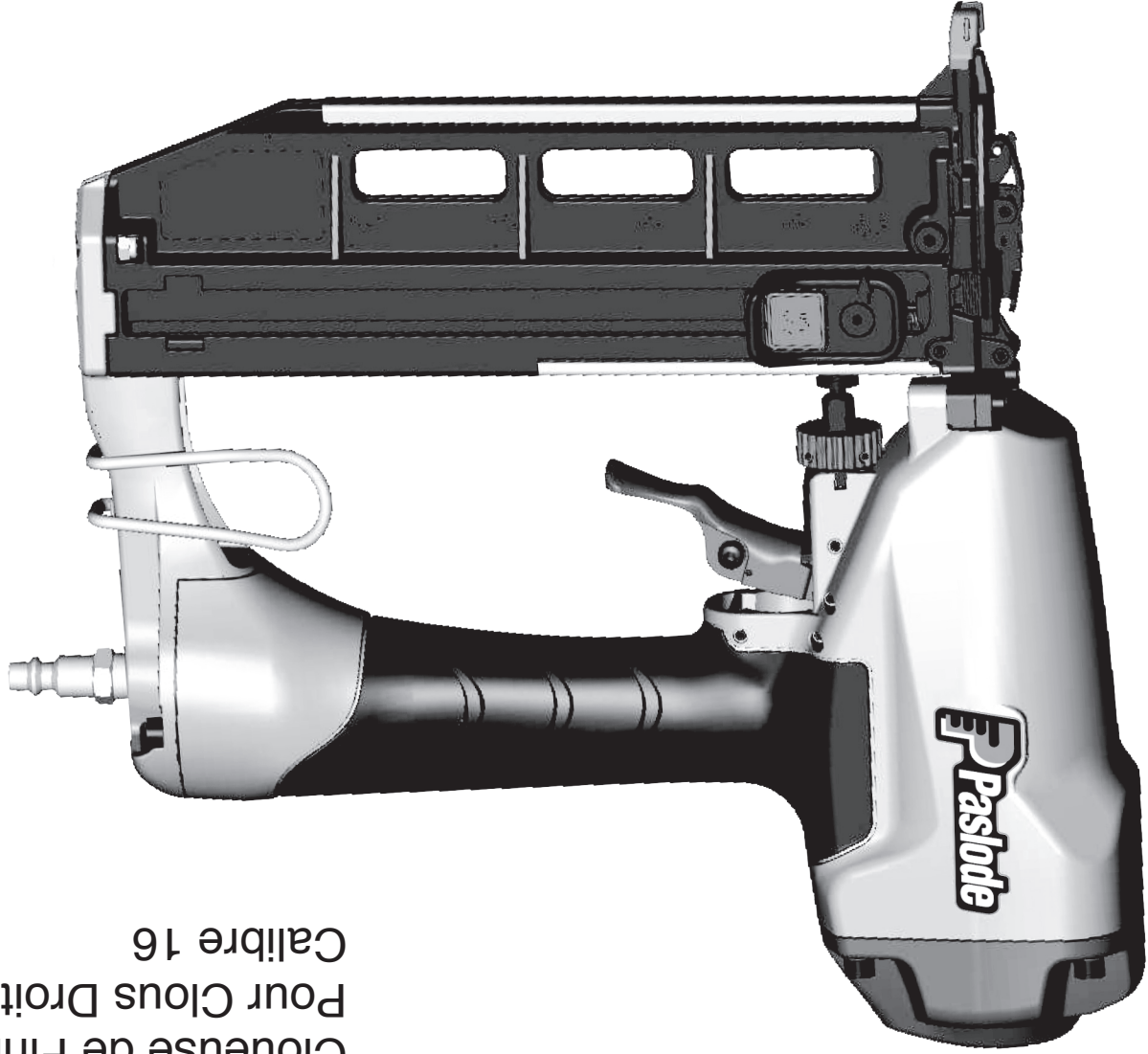
GARANTIE LIMITÉE PROLONGÉE DE CINQ ANS

Une garantie limitée de cinq ans s'applique sur toutes les pièces moulées du boîtier et ensemble de couvercle.



Numéro de pièce 515500

Modèle T250S-F16P
Cloueuse de Finition
Pour Clous Droits de
Calibre 16



MODE D'EMPLOI ET SCHEMAS

IMPORTANT!
NE PAS DÉTRUIRE
Il incombe au client de s'assurer que tous les
utilisateurs et le personnel d'entretien et de
réparation lisent et comprennent ce guide.