
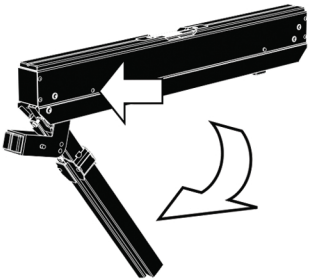





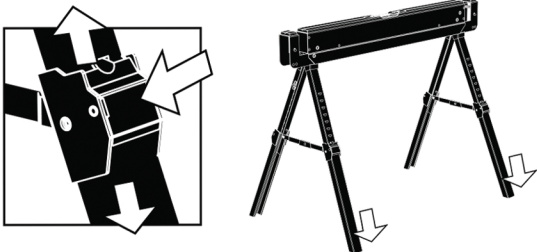



# PROTOCOL™

## WORK SHOP ADJUSTABLE SAWHORSE

67104  
PRODUCT MANUAL

		
<p><b>1</b> SAWHORSE IN CARRY POSITION</p>	<p><b>2</b> PRESS RELEASE BUTTON AND FOLD DOWN 1<sup>ST</sup> SET OF LEGS</p>	<p><b>3</b> MAKE SURE LEGS AND 2X4 SUPPORT ARE FULLY DEPLOYED</p>
		
<p><b>4</b> SPREAD LEGS AND BE SURE TO PUSH THE CROSS BRACE FLAT</p>	<p><b>5</b> PRESS RELEASE BUTTON AND FOLD DOWN 2<sup>ND</sup> SET OF LEGS</p>	<p><b>6</b> MAKE SURE LEGS AND 2X4 SUPPORT ARE FULLY DEPLOYED</p>
		
<p><b>7</b> SPREAD LEGS, AND BE SURE TO PUSH THE CROSS BRACE FLAT</p>	<p><b>8</b> EXTEND LEGS BY PULLING THEM DOWN. RETRACT LEGS BY PRESSING LOCK BUTTON, SLIDE LEG DOWN SLIGHTLY THEN RETRACT TO DESIRED POSITION</p>	<p><b>9</b> PLACE 2X4'S IN SUPPORT ARMS AND PLACE A SHEET ON TOP TO MAKE A WORK TABLE</p>

**WARNING!** TO REDUCE THE RISK OF PERSONAL INJURY, READ AND UNDERSTAND THE INSTRUCTIONS. SAWHORSE LEGS MUST BE FULLY OPEN WITH THE CROSS BRACE LOCKED DOWN. DO NOT STAND ON SAWHORSE. DO NOT OVERLOAD. MAXIMUM CAPACITY 1,100LBS. USE ONLY ON A FLAT, DRY, HARD AND LEVEL SURFACE.

**NOTE:** FOR YOUR SAFETY, PLEASE ENSURE YOU READ THESE INSTRUCTIONS CAREFULLY BEFORE USE, AND KEEP THESE INSTRUCTIONS IN THE WORK SPACE WHERE THE SAWHORSE WILL BE USED.

## SAFE OPERATION AND USE OF THIS SAWHORSE

- 1** When lifting the sawhorse use proper lifting techniques to avoid personal injury.
- 2** Ensure work area is well lit while working.
- 3** Ensure saw horse is standing on a level surface that is clear, dry and free of debris.
- 4** Ensure all 4 legs have solid contact with the floor. If the saw horse is not positioned level and straight, loads placed upon it could fall, potentially causing damage to the item(s) loaded on it, and possible severe personal injury or death.
- 5** Ensure the load placed on any sawhorse does not exceed the applicable Safe Working Load Rating. Overloading can lead to failure of the sawhorse, potentially causing damage to the item(s) loaded on it, and possible severe personal injury or death.
- 6** Never stack sawhorses to obtain extra height.

### Caution:

Do not apply weight in excess of 1,300 lbs (590kg) of uniformly distributed load on Sawhorse.  
Do not use as a step ladder or standing platform.

### Uniformly-Distributed Load

The maximum uniformly distributed load across the top rail of the saw horse, **PER EACH SAW HORSE:**

This means that the maximum weight that can be applied to this saw horse, per lineal foot, as is stated on the Retail Sticker and the instructions. “Uniformly-Distributed Load” means when all the weight is distributed evenly on the top rail. The amount of weight that can be applied to 2 identical saw horses is double this value. For example, a pallet or skid weighing not more than two times the Safe Working Load Rating can safely be carried by 2 of these saw horses.

## LIFETIME | LIMITED WARRANTY

PROTOCOL™ Work Shop Adjustable Sawhorse is backed by a Limited Lifetime Warranty. This warranty covers manufacturer defects and workmanship. The warranty excludes misuse or abuse and normal wear and tear. Exclusion is not allowed in some states and may not apply. This warranty gives you specific legal rights, and you may have other rights, which vary from state to state.

JS PRODUCTS, INC. | 6445 MONTESSOURI STREET | LAS VEGAS, NV 89113

800.255.7011 | FAX: 775.898.8773 | FOR MORE PRODUCTS AND ACCESSORIES GO TO [WWW.PROTOCOLEQUIPMENT.COM](http://WWW.PROTOCOLEQUIPMENT.COM)